

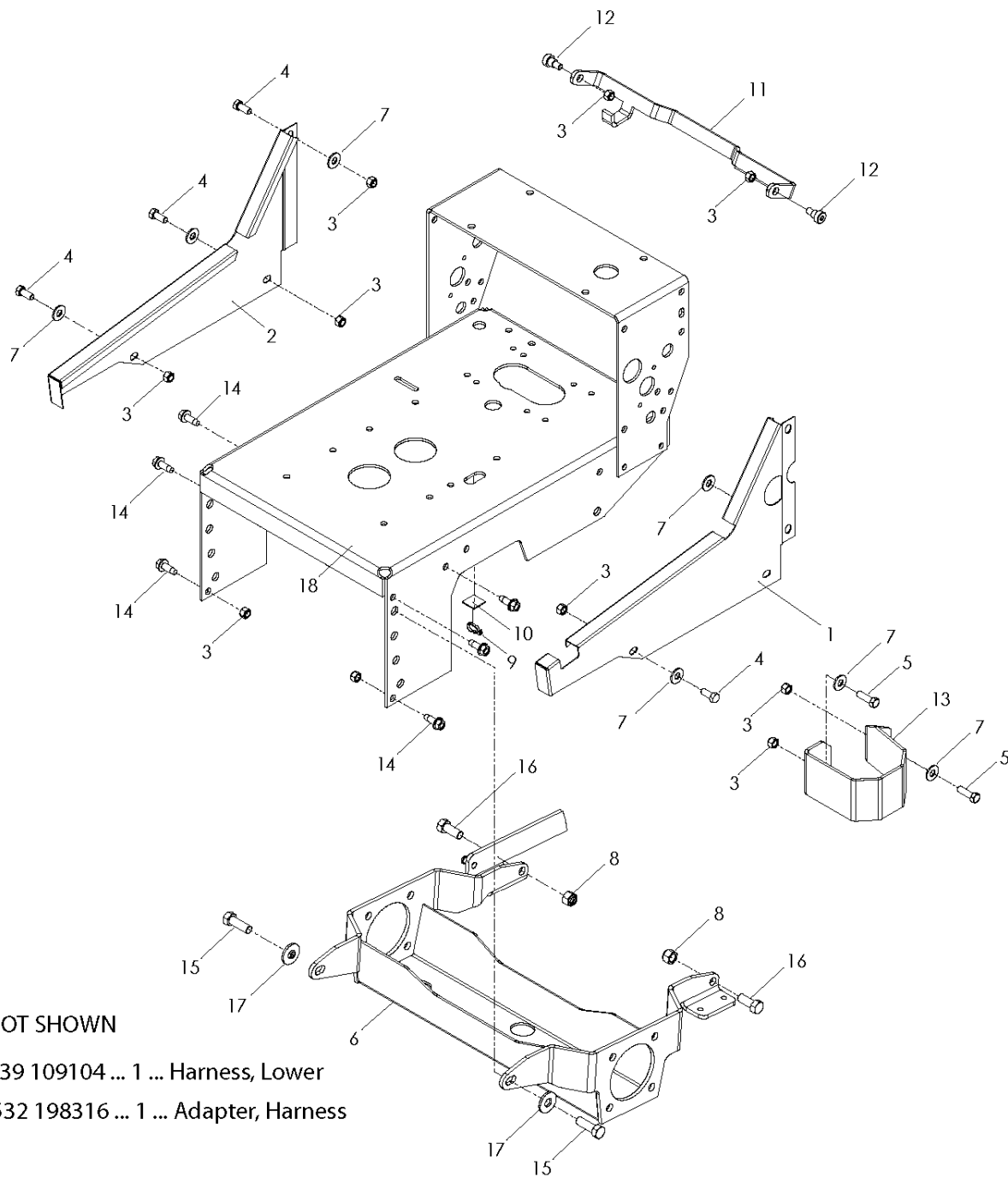


# SPARE PARTS LIST

LAWN MOWERS: COMMERCIAL  
WALK-BEHINDS

WH3615 966947001, 2008-08

# FRAME

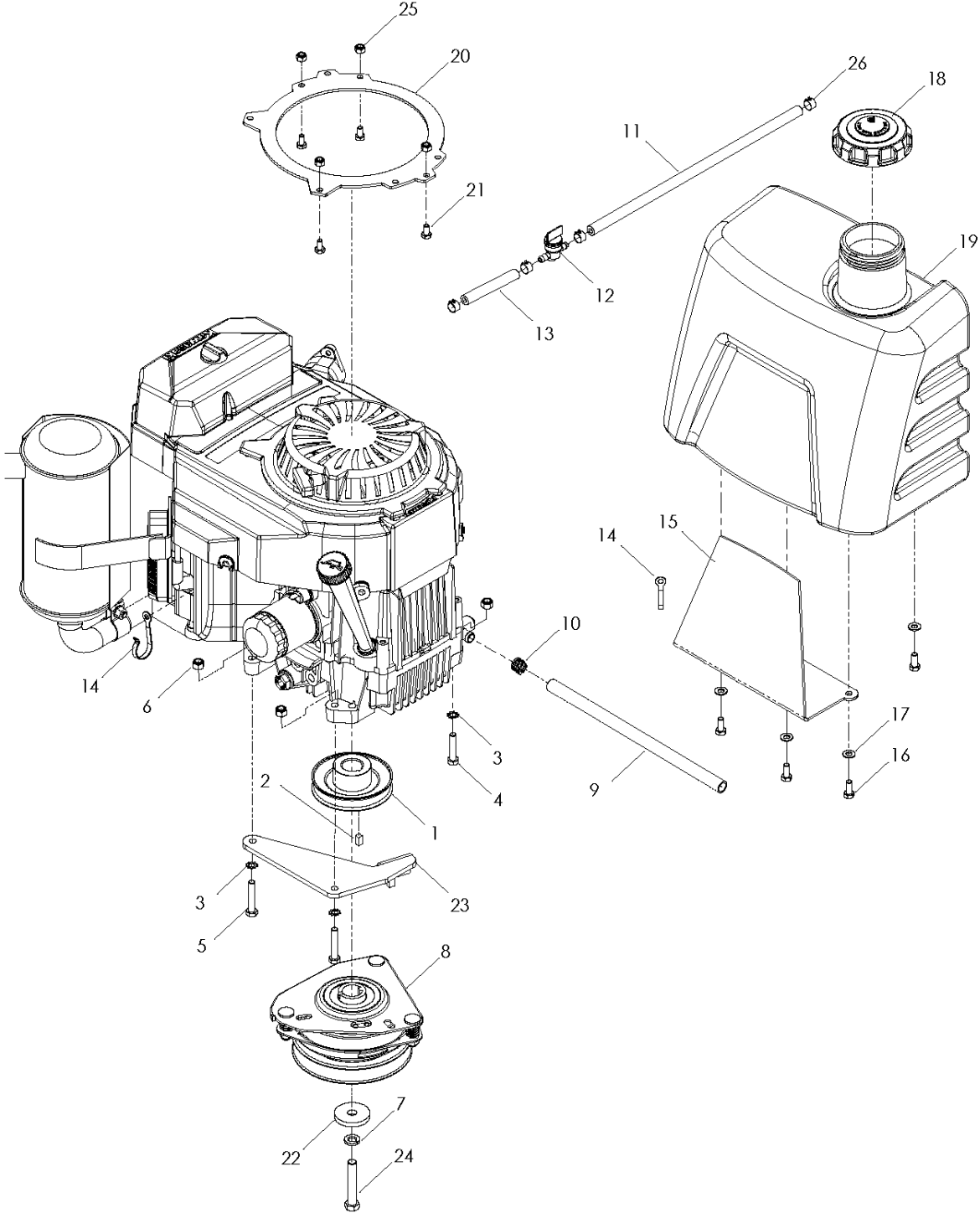


## FRAME

WH3615 966947001, 2008-08

| Ref | Part No      | Description                | Remark    | QTY KIT |
|-----|--------------|----------------------------|-----------|---------|
| 1   | 539 13 25-58 | PANEL - SIDE RH PAINTED    |           | 1       |
| 2   | 539 13 25-60 | PANEL - SIDE LH PAINTED    |           | 1       |
| 3   | 539 97 69-79 | NUT                        |           | 14      |
| 4   | 539 10 85-07 | HCS 3/8-16 X 7/8 GR 5 ZD   |           | 11      |
| 5   | 539 97 69-41 | SCREW                      |           | 4       |
| 6   | 539 13 25-09 | AXLE HYDRO                 |           | 1       |
| 7   | 539 99 05-17 | WASHER                     |           | 8       |
| 8   | 539 10 13-31 | NUT                        |           | 2       |
| 9   | 539 97 68-56 | TIE WRAP                   |           | 2       |
| 10  | 539 11 08-63 | MOUNTING BLOCK CABLE TIE   |           | 1       |
| 11  | 539 13 25-56 | BAR THROW OUT. PAINTED     |           | 1       |
| 12  | 539 11 36-21 | SB 3/8-16 X 3/8 SKT HD ZD  |           | 2       |
| 13  | 505 18 90-02 | GUARD                      |           | 1       |
| 14  | 539 10 74-76 | BOLT                       |           | 6       |
| 15  | 539 10 83-74 | BOLT                       |           | 2       |
| 16  | 539 10 83-69 | HCS 1/2-13 X 1-1/4 GR 5 ZD |           | 2       |
| 17  | 539 10 95-54 | WASH USS FLAT 1/2          |           | 2       |
| 18  | 522 47 80-01 | ENGINE CHASSI              |           | 1       |
|     | 539 10 91-04 | LOWER HARNESS              | NOT SHOWN | 1       |
|     | 532 19 83-16 | PIGTAIL.MATNLK.OLD.HARN    | NOT SHOWN | 1       |

# ENGINE

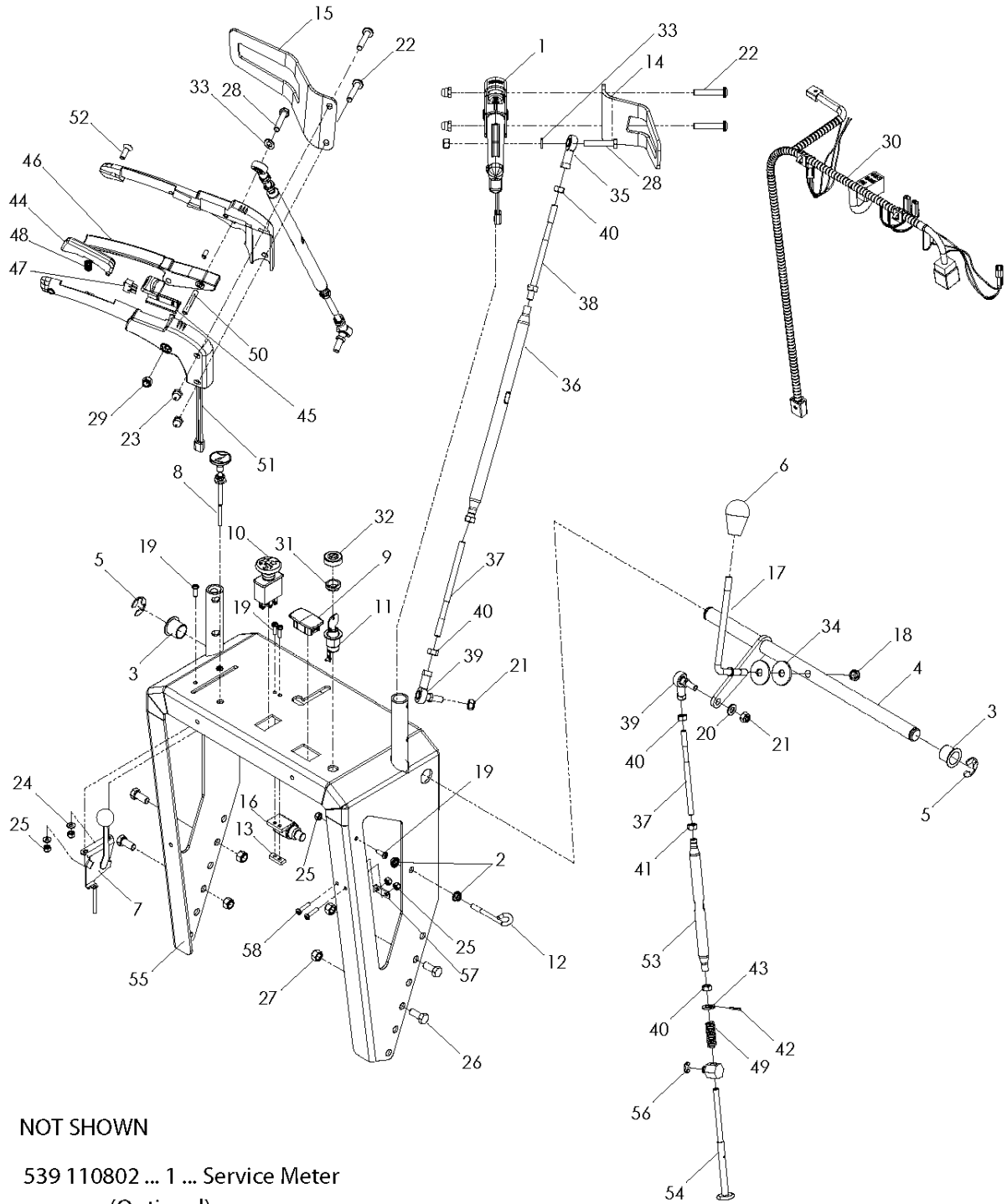


## ENGINE

WH3615 966947001, 2008-08

| Ref | Part No      | Description              | Remark | QTY KIT |
|-----|--------------|--------------------------|--------|---------|
| 1   | 539 13 25-25 | PULLEY - ENGINE          |        | 1       |
| 2   | 539 10 57-18 | SQUARE KEY - 1/4 X .5    |        | 1       |
| 3   | 539 10 95-56 | WASHER 5/16 EXT STAR LK  |        | 4       |
| 4   | 539 97 69-35 | CAPSCREW                 |        | 2       |
| 5   | 539 99 06-69 | SCREW                    |        | 2       |
| 6   | 539 99 07-17 | NUT                      |        | 4       |
| 7   | 539 99 02-47 | WASHER                   |        | 1       |
| 8   | 532 40 00-08 | CLUTCH                   |        | 1       |
| 9   | 539 10 79-37 | HOSE                     |        | 1       |
| 10  | 539 97 69-66 | CLAMP                    |        | 4       |
| 11  | 539 10 82-12 | HOSE                     |        | 1       |
| 12  | 539 91 63-25 | VALVE                    |        | 1       |
| 13  | 505 21 51-01 | HOSE                     |        | 1       |
| 14  | 539 10 70-98 | CLAMP                    |        | 2       |
| 15  | 539 13 26-33 | PLATE ID. ORANGE         |        | 1       |
| 16  | 539 97 69-34 | SCREW                    |        | 4       |
| 17  | 539 99 01-88 | WASHER                   |        | 4       |
| 18  | 539 10 61-88 | TANK CAP - ANTI          |        | 1       |
| 19  | 539 13 25-49 | FUEL TANK                |        | 1       |
| 20  | 539 13 25-48 | ADAPTER - RECOIL         |        | 1       |
| 21  | 539 99 00-71 | HCS 1/4-20 X 1/2 GR 5 ZD |        | 4       |
| 22  | 539 10 65-04 | WASHER                   |        | 1       |
| 23  | 539 13 25-27 | CLUTCH STOP              |        | 1       |
| 24  | 539 99 11-20 | SCREW                    |        | 1       |
| 25  | 539 97 69-78 | NUT                      |        | 4       |
| 26  | 539 91 22-22 | CLAMP                    |        | 3       |

# HANDLE AND CONTROLS



NOT SHOWN

539 110802 ... 1 ... Service Meter  
(Optional)

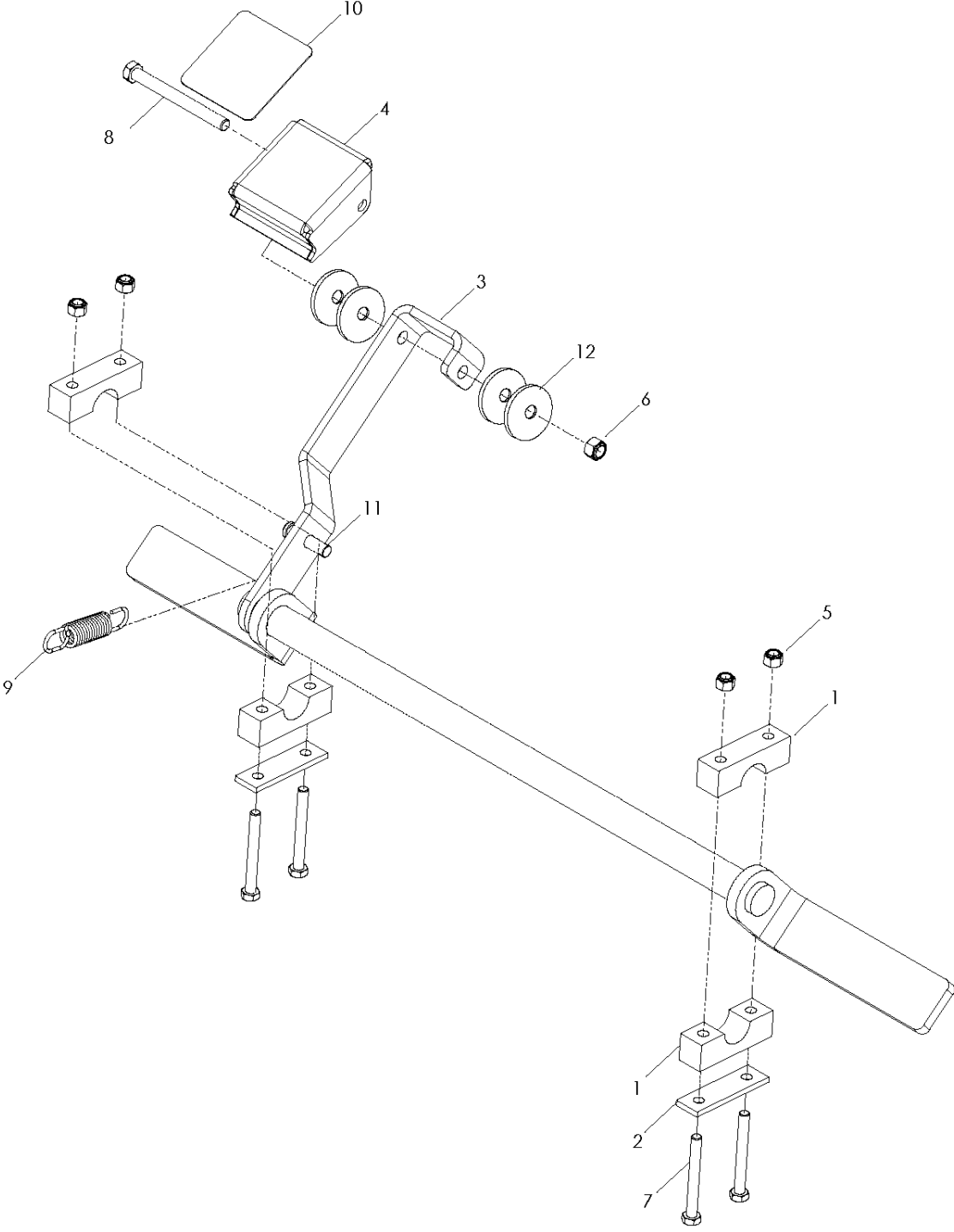
## HANDLE &amp; CONTROLS

WH3615 966947001, 2008-08

| Ref | Part No      | Description              | Remark    | QTY KIT |
|-----|--------------|--------------------------|-----------|---------|
| 1   | 539 13 26-23 | GRIP                     |           | 2       |
| 2   | 539 99 05-85 | NUT                      |           | 2       |
| 3   | 539 13 25-20 | BEARING                  |           | 2       |
| 4   | 539 13 26-28 | SPEED CONTROL            |           | 1       |
| 5   | 539 13 26-29 | E-RING. 20MM             |           | 2       |
| 6   | 539 13 26-24 | KNOB - SHIFT             |           | 1       |
| 7   | 539 13 26-88 | THROTTLE CONTROL         |           | 1       |
| 8   | 539 13 02-08 | CONTROL-CHOKE, BLUE, 51" |           | 1       |
| 9   | 532 40 49-51 | PLUG                     |           | 1       |
| 10  | 539 10 17-68 | SWITCH                   |           | 1       |
| 11  | 539 91 18-53 | KEY SWITCH, COMPLETE     |           | 1       |
| 12  | 539 13 26-76 | GUIDE                    |           | 1       |
| 13  | 539 10 26-78 | PLATE                    |           | 1       |
| 14  | 522 42 18-02 | GUARD                    |           | 1       |
| 15  | 522 42 17-02 | GUARD                    |           | 1       |
| 16  | 539 02 00-17 | SWITCH                   |           | 1       |
| 17  | 539 13 26-26 | ROD - SHIFT              |           | 1       |
| 18  | 539 20 02-82 | NUT                      |           | 1       |
| 19  | 539 99 04-11 | SCREW                    |           | 5       |
| 20  | 539 99 01-88 | WASHER                   |           | 1       |
| 21  | 539 10 31-53 | NUT                      |           | 3       |
| 22  | 505 20 33-01 | SCREW                    |           | 4       |
| 23  | 505 20 34-01 | NUT                      |           | 4       |
| 24  | 539 10 54-08 | WASHER #10               |           | 2       |
| 25  | 539 97 69-77 | NUT                      |           | 5       |
| 26  | 539 10 85-07 | HCS 3/8-16 X 7/8 GR 5 ZD |           | 4       |
| 27  | 539 97 69-79 | NUT                      |           | 4       |
| 28  | 539 99 06-69 | SCREW                    |           | 2       |
| 29  | 539 99 07-17 | NUT                      |           | 2       |
| 30  | 510 36 69-01 | HARNESS                  |           | 1       |
| 31  | 539 10 31-77 | NUT                      |           | 1       |
| 32  | 539 10 31-78 | NUT CAP                  |           | 1       |
| 33  | 539 99 01-87 | WASHER                   |           | 2       |
| 34  | 539 91 20-63 | CONE WASHER              |           | 2       |
| 35  | 539 13 26-02 | ROD END 8 MM. RH         |           | 1       |
| 36  | 539 13 26-01 | TUBE - ADJUSTING         |           | 1       |
| 37  | 539 13 26-05 | STUD - LH                |           | 1       |
| 38  | 539 13 26-04 | STUD - RH                |           | 1       |
| 39  | 539 13 26-03 | ROD END 8 MM. W/STUD     |           | 1       |
| 40  | 539 13 26-07 | NUT-8MM X 1.25 HEX ZD    |           | 3       |
| 42  | 539 13 26-14 | ROLL PIN - 3 MM          |           | 1       |
| 44  | 539 13 26-74 | ACTUATOR                 |           | 2       |
| 45  | 539 13 26-17 | LOCK                     |           | 2       |
| 46  | 539 13 26-18 | LEVER                    |           | 2       |
| 47  | 539 13 26-20 | SWITCH                   |           | 2       |
| 48  | 539 13 25-99 | SPRING                   |           | 2       |
| 49  | 539 10 12-24 | SPRING                   |           | 1       |
| 50  | 539 13 26-35 | PIN - GROOVE 1/4 X 1-1/2 |           | 2       |
| 51  | 539 13 26-75 | HARNESS                  |           | 2       |
| 52  | 539 13 26-77 | SCREW - OVAL HEAD 6MM    |           | 2       |
| 53  | 539 13 26-09 | TUBE - ADJUSTING         |           | 1       |
| 54  | 539 13 26-08 | ROD END                  |           | 1       |
| 55  | 522 47 81-01 | HANDLE                   |           | 1       |
| 56  | 539 13 26-13 | E-RING. 10MM             |           | 1       |
| 57  | 510 41 76-02 | PLATE                    |           | 1       |
| 58  | 539 10 26-17 | SCREW                    |           | 2       |
| --  | 539 11 08-62 | HOURLMETER               | NOT SHOWN | 1       |

# PARKING BRAKE

---



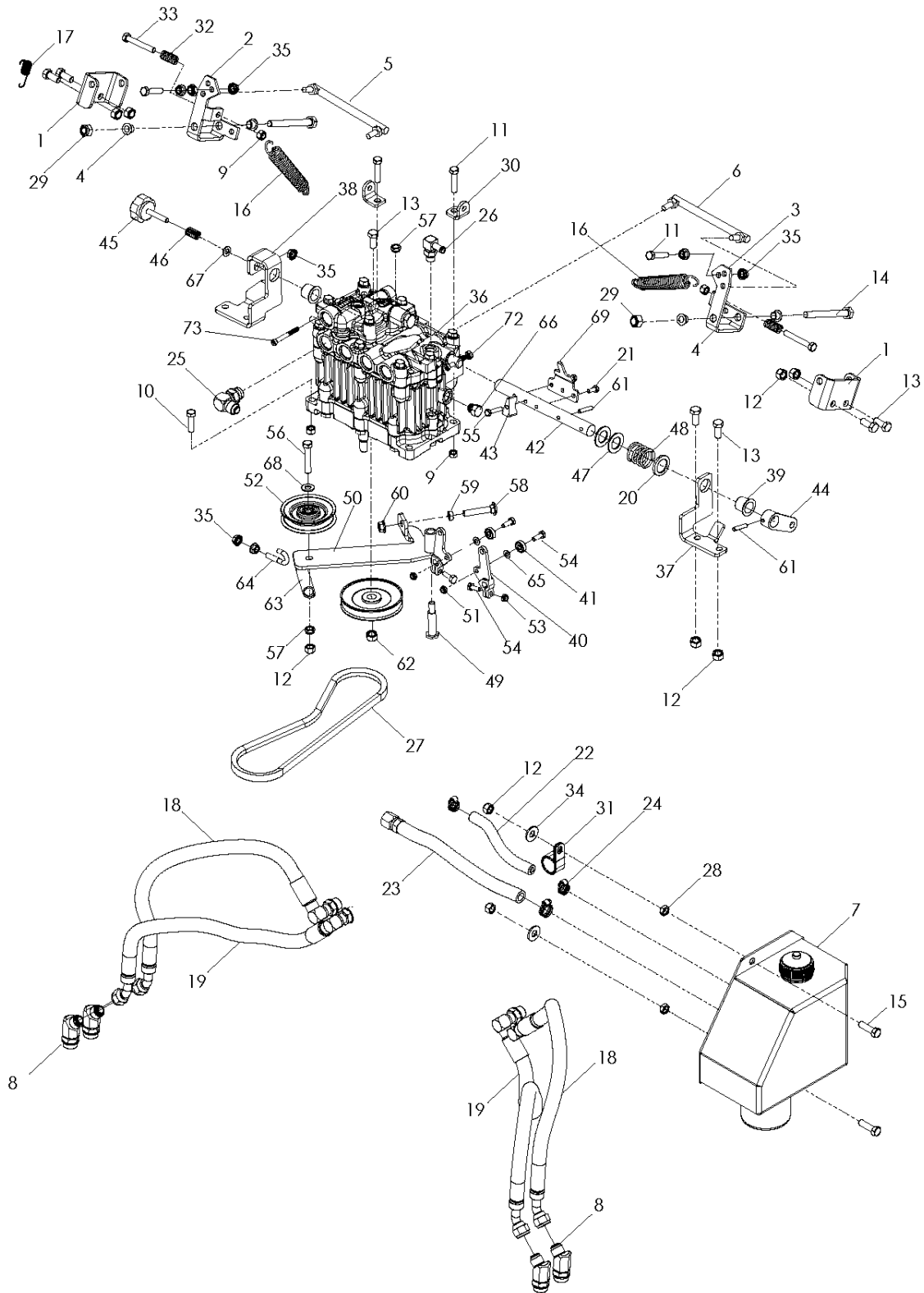


## PARKING BRAKE

WH3615 966947001, 2008-08

| Ref | Part No      | Description               | Remark | QTY KIT |
|-----|--------------|---------------------------|--------|---------|
| 1   | 539 10 48-08 | SUPPORT                   |        | 4       |
| 2   | 539 10 48-07 | PLATE                     |        | 2       |
| 3   | 539 13 26-85 | PARK BRAKE                |        | 1       |
| 4   | 510 28 34-02 | PEDAL                     |        | 1       |
| 5   | 539 99 07-17 | NUT                       |        | 4       |
| 6   | 539 97 69-79 | NUT                       |        | 1       |
| 7   | 539 10 17-21 | SCREW                     |        | 4       |
| 8   | 539 99 11-26 | HCS 3/8-16 X 3-3/4 GR5 ZD |        | 1       |
| 9   | 510 13 63-01 | SPRING                    |        | 1       |
| 10  | 539 10 51-87 | PLATE                     |        | 1       |
| 11  | 539 10 24-55 | PIN RETAINING SCREW       |        | 1       |
| 12  | 539 10 29-98 | WASHER                    |        | 4       |

# HYDRO PUMP-MOTOR



## HYDRAULIC PUMP - MOTOR

WH3615 966947001, 2008-08

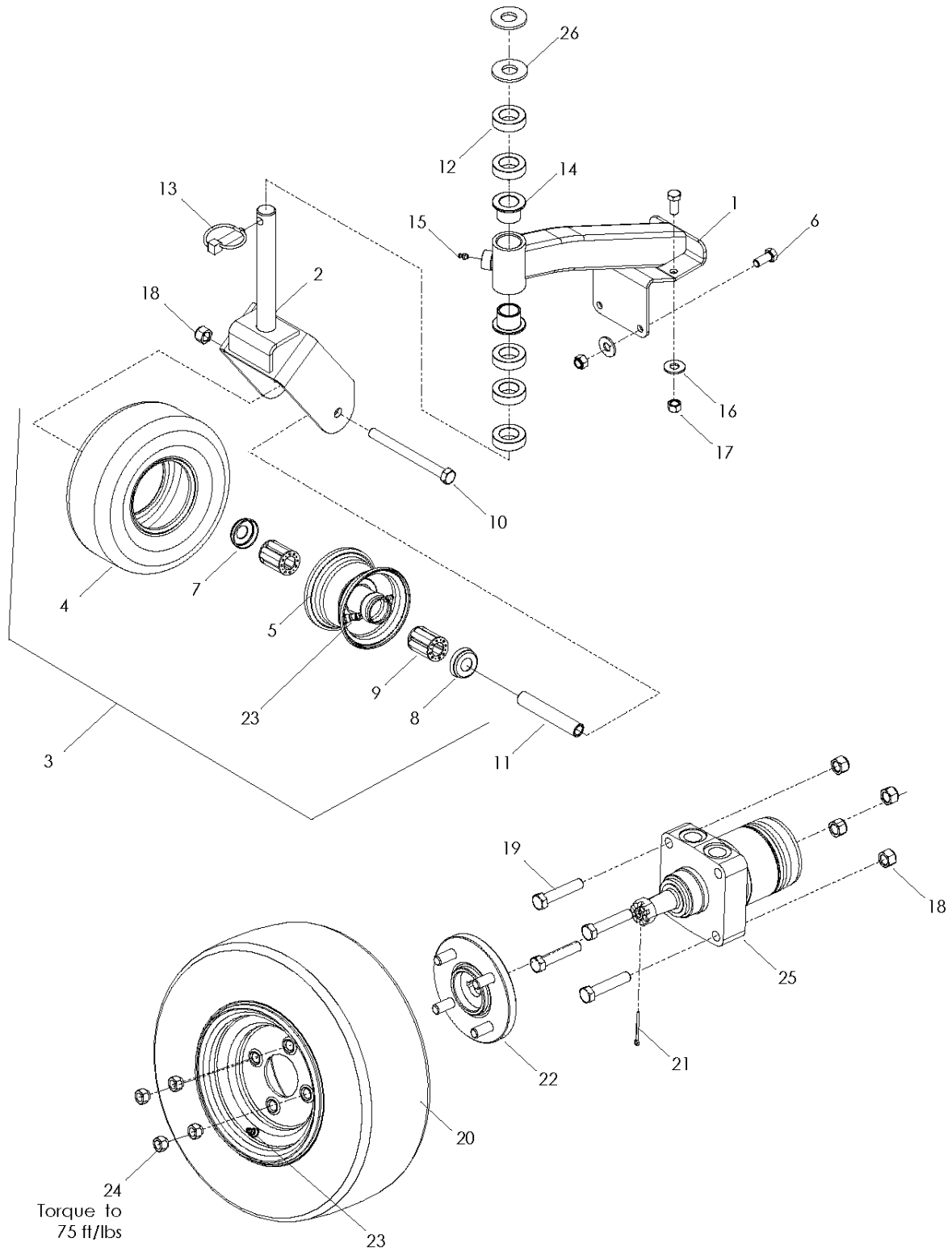
| Ref | Part No      | Description                    | Remark | QTY KIT |
|-----|--------------|--------------------------------|--------|---------|
| 1   | 539 13 25-35 | BRACKET                        |        | 2       |
| 2   | 539 13 25-37 | BELLCRANK                      |        | 1       |
| 3   | 539 13 25-39 | BELLCRANK                      |        | 1       |
| 4   | 539 13 25-33 | BEARING                        |        | 4       |
| 5   | 539 13 25-50 | LINK - CONTROL. RH             |        | 1       |
| 6   | 539 13 25-51 | LINK - CONTROL. LH             |        | 1       |
| 7   | 505 24 73-01 | OIL                            |        | 1       |
| 8   | 539 13 25-61 | 45 DEG STRAIGHT THD ELBOW 8-10 |        | 4       |
| 9   | 539 99 07-17 | NUT                            |        | 6       |
| 10  | 539 99 06-27 | SCREW                          |        | 2       |
| 11  | 539 97 69-35 | CAPSCREW                       |        | 4       |
| 12  | 539 97 69-79 | NUT                            |        | 8       |
| 13  | 539 10 85-07 | HCS 3/8-16 X 7/8 GR 5 ZD       |        | 7       |
| 14  | 510 12 99-01 | HCS                            |        | 2       |
| 15  | 539 97 69-41 | SCREW                          |        | 4       |
| 16  | 539 91 61-59 | SPRINT                         |        | 2       |
| 18  | 505 20 32-01 | HOSE                           |        | 2       |
| 19  | 505 20 31-01 | HOSE                           |        | 2       |
| 20  | 510 36 28-01 | WASHER                         |        | 1       |
| 21  | 539 10 77-05 | HCS M6-1.0 X 16MM GR 8.8 ZN    |        | 2       |
| 22  | 505 28 02-01 | HOSE                           |        | 1       |
| 24  | 539 97 69-66 | CLAMP                          |        | 3       |
| 25  | 539 10 12-42 | ELBOW                          |        | 1       |
| 26  | 505 28 04-01 | FITTING                        |        | 1       |
| 27  | 539 10 67-25 | V-BELT                         |        | 1       |
| 28  | 539 10 93-32 | NUT 3/8-16 HEX JAM ZD          |        | 2       |
| 29  | 510 13 00-01 | NUT                            |        | 2       |
| 30  | 510 11 10-02 | BRACKET                        |        | 2       |
| 31  | 539 10 78-91 | CLIP                           |        | 1       |
| 32  | 539 10 12-24 | SPRING                         |        | 2       |
| 33  | 539 97 69-38 | CAPSCREW 5/16 X 2-1/4 HED HEAD |        | 2       |
| 34  | 539 99 05-17 | WASHER                         |        | 2       |
| 35  | 539 99 05-85 | NUT                            |        | 7       |
| 36  | 521 97 60-01 | PUMP                           |        | 1       |
| 37  | 539 13 25-11 | SUPT - CAM LH                  |        | 1       |
| 38  | 539 13 25-13 | SUPT - CAM. RH PAINTED         |        | 1       |
| 39  | 539 13 25-20 | BEARING                        |        | 2       |
| 40  | 539 13 25-16 | ARM - HYDRO                    |        | 2       |
| 41  | 539 13 25-23 | BEARING                        |        | 2       |
| 42  | 539 13 25-19 | SHAFT - CAM                    |        | 1       |
| 43  | 539 13 25-18 | CAM                            |        | 1       |
| 44  | 539 13 25-17 | ARM - SPEED CONTROL            |        | 1       |
| 45  | 539 10 30-03 | ADJUSTMENT KNOB                |        | 1       |
| 46  | 539 13 26-87 | SPRING - COMPRESSION           |        | 1       |
| 47  | 539 13 25-21 | WASHER - 20MM                  |        | 2       |
| 48  | 539 13 25-24 | SPRING - COMPRESSION           |        | 1       |
| 49  | 539 13 17-27 | PULLEY. PUMP                   |        | 1       |
| 50  | 539 13 25-32 | IDLER ARM                      |        | 1       |
| 51  | 539 11 02-22 | BOLT                           |        | 1       |
| 52  | 539 11 36-83 | V-IDLER                        |        | 1       |
| 53  | 539 10 81-20 | NUT                            |        | 4       |
| 54  | 539 99 05-80 | SCREW                          |        | 4       |
| 55  | 539 10 63-07 | BOLT                           |        | 1       |
| 56  | 539 99 05-88 | SCREW                          |        | 1       |
| 57  | 539 20 02-82 | NUT                            |        | 2       |
| 58  | 539 10 01-45 | RHSNB 3/8C X 2                 |        | 1       |
| 59  | 539 10 93-32 | NUT 3/8-16 HEX JAM ZD          |        | 1       |
| 60  | 539 99 06-13 | NUT                            |        | 1       |
| 61  | 505 22 40-01 | PEN                            |        | 2       |
| 62  | 539 13 15-28 | NUT. M10-1.5 L/H HEX           |        | 1       |
| 63  | 539 01 01-95 | SPRING AXLE AERATOR            |        | 1       |
| 64  | 539 11 28-96 | J-BOLT                         |        | 1       |
| 65  | 539 10 35-47 | WASHER                         |        | 2       |
| 66  | 539 13 18-95 | PLUG. 6408-6                   |        | 1       |

## HYDRAULIC PUMP - MOTOR

WH3615 966947001, 2008-08

| Ref | Part No      | Description       | Remark | QTY KIT |
|-----|--------------|-------------------|--------|---------|
| 67  | 539 99 01-88 | WASHER            |        | 1       |
| 68  | 539 99 01-22 | WASHER            |        | 1       |
| 69  | 539 13 25-15 | PLATE. STOP BLACK |        | 1       |
| 70  | 539 10 31-53 | NUT               |        | 4       |
| 71  | 539 99 01-87 | WASHER            |        | 2       |
| 72  | 539 97 69-77 | NUT               |        | 2       |
| 73  | 521 97 61-01 | SCREW             |        | 2       |

# WHEELS AND TIRES



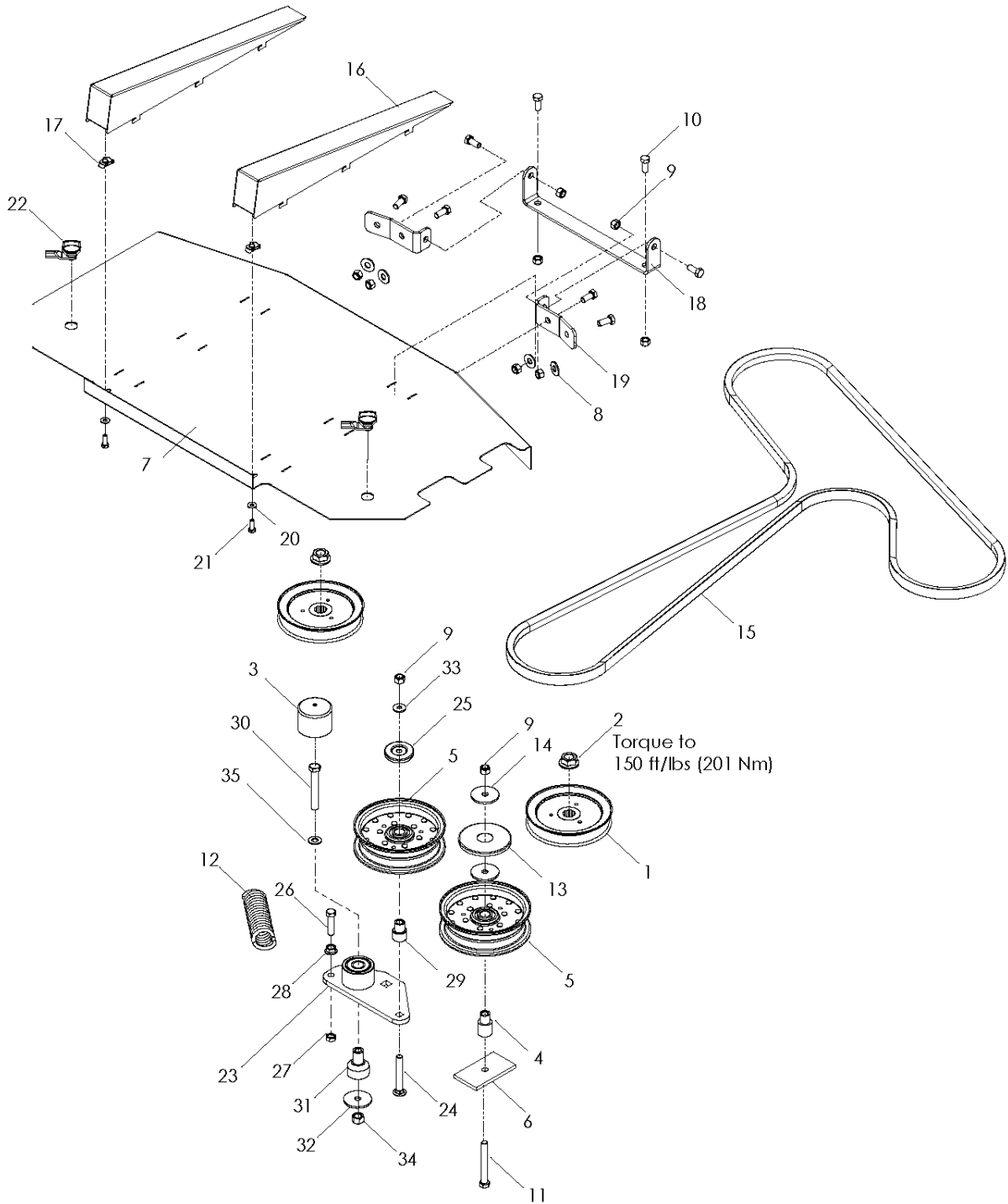
## WHEELS &amp; TIRES

WH3615 966947001, 2008-08

| Ref | Part No      | Description              | Remark            | QTY KIT |
|-----|--------------|--------------------------|-------------------|---------|
| 1   | 539 13 26-83 | CASTER SUPPORT PAINTED   |                   | 1       |
| 2   | 539 13 25-88 | CASTER WELDMENT PAINTED  |                   | 1       |
| 3   | 539 10 45-56 | TIRE                     |                   | 1       |
| 4   | 539 10 19-05 | TIRE, 9"                 |                   | 1       |
| 5   | 539 10 46-18 | RIM                      |                   | 1       |
| 6   | 539 10 85-07 | HCS 3/8-16 X 7/8 GR 5 ZD |                   | 8       |
| 7   | 539 92 35-57 | ENDCAP                   |                   | 1       |
| 8   | 539 97 73-56 | ENDCAP, NOTCHED          |                   | 1       |
| 9   | 539 97 73-53 | ROLLER BEARING           |                   | 2       |
| 10  | 539 10 19-07 | SCREW                    |                   | 1       |
| 11  | 539 10 18-72 | SPACER                   |                   | 1       |
| 12  | 539 13 26-78 | SPACER                   |                   | 6       |
| 13  | 539 10 18-74 | LYNCH PIN 7/16           |                   | 1       |
| 14  | 539 10 66-56 | BEARING                  |                   | 2       |
| 15  | 539 97 69-98 | NIPPLE                   |                   | 1       |
| 16  | 539 99 05-17 | WASHER                   |                   | 8       |
| 17  | 539 97 69-79 | NUT                      |                   | 7       |
| 18  | 539 10 13-31 | NUT                      |                   | 10      |
| 19  | 539 10 83-46 | BOLT                     |                   | 8       |
| 20  | 522 41 29-01 | WHEEL ASSY               |                   | 2       |
| 21  | 539 99 02-97 | SPLIT PIN                |                   | 2       |
| 22  | 539 13 26-89 | HUB. WHEEL               |                   | 2       |
| 23  | 539 91 22-34 | VALVE                    |                   | 4       |
| 24  | 539 10 11-73 | NUT                      |                   | 8       |
| 25  | 539 10 35-27 | WHEEL MOTOR              | LEFT              | 1       |
|     | 521 91 16-01 | MOTOR                    | "RIGHT, REVERSED" | 1       |
| 26  | 521 99 45-01 | SPACER                   |                   | 2       |

# 36" MOWER DECK

## Upper Deck



## 36INCH CUTTING DECK-- UPPER

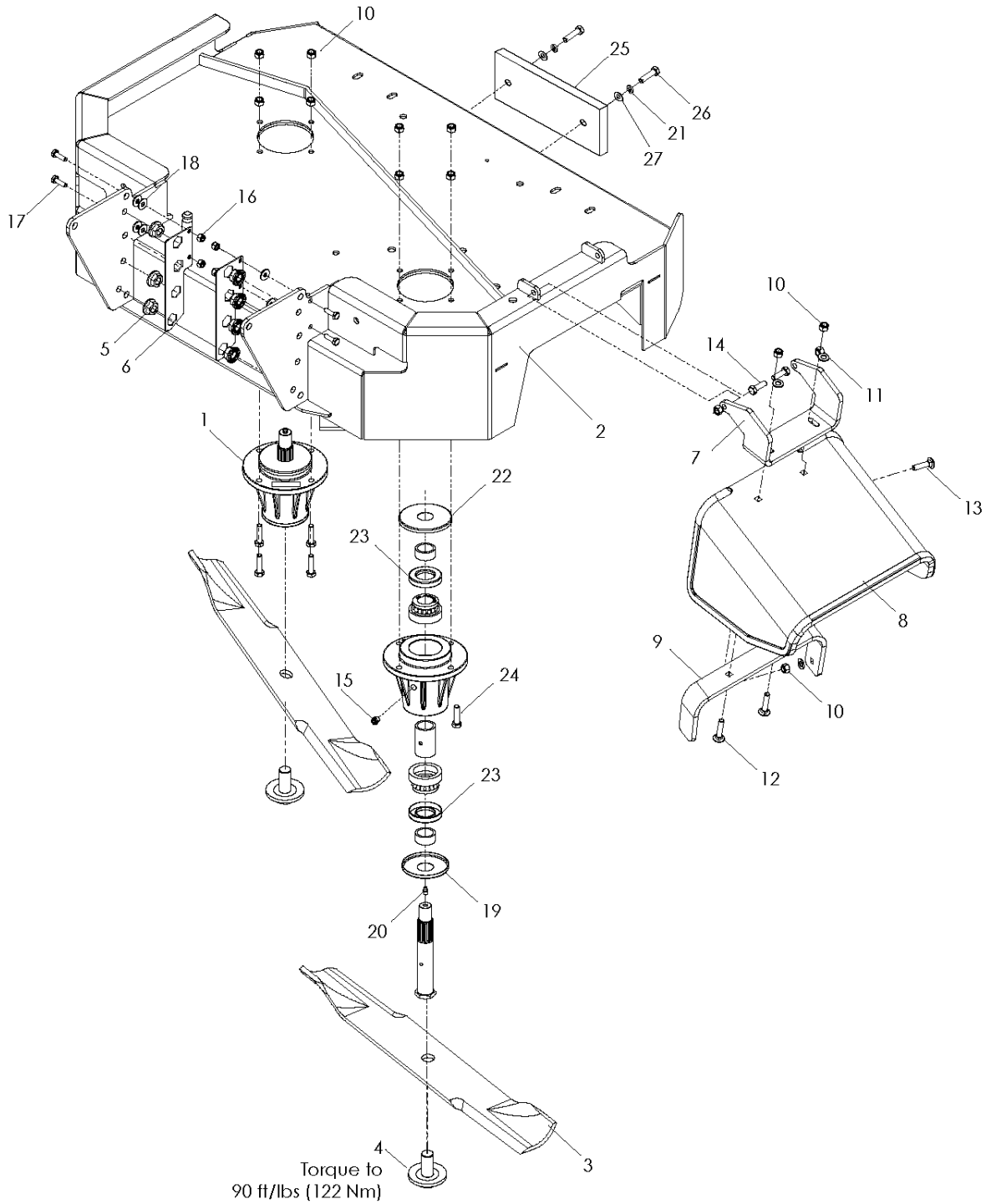
WH3615 966947001, 2008-08

| Ref | Part No      | Description                | Remark | QTY KIT |
|-----|--------------|----------------------------|--------|---------|
| 1   | 522 02 38-01 | PULLEY                     |        | 2       |
| 2   | 539 13 06-53 | NUT - FLANGE 3/4-16        |        | 2       |
| 3   | 539 11 48-23 | CAP                        |        | 1       |
| 4   | 539 10 32-95 | BUSHING                    |        | 1       |
| 5   | 539 10 32-57 | PULLEY                     |        | 1       |
| 6   | 539 10 33-03 | SPACER                     |        | 1       |
| 7   | 505 29 01-02 | COVER                      |        | 1       |
| 8   | 539 99 05-17 | WASHER                     |        | 4       |
| 9   | 539 97 69-79 | NUT                        |        | 9       |
| 10  | 539 10 85-07 | HCS 3/8-16 X 7/8 GR 5 ZD   |        | 8       |
| 11  | 539 10 13-41 | SCREW                      |        | 1       |
| 12  | 539 11 06-55 | SPRING                     |        | 1       |
| 13  | 539 10 84-50 | HUB CAP                    |        | 1       |
| 14  | 539 11 18-97 | WASHER, 3/8, SPEC          |        | 2       |
| 15  | 505 24 74-01 | V-BELT                     |        | 1       |
| 16  | 505 29 04-02 | WEDGE                      |        | 2       |
| 17  | 539 11 08-13 | RETAINER                   |        | 2       |
| 18  | 539 13 25-81 | HINGE                      |        | 2       |
| 19  | 539 13 25-79 | BASE HINGE - PAINTED       |        | 1       |
| 20  | 539 99 00-55 | WASHER 1/4 SAE             |        | 2       |
| 21  | 539 99 05-80 | SCREW                      |        | 2       |
| 22  | 510 12 67-01 | LATCH                      |        | 2       |
| 23  | 539 13 03-91 | ARM, IDLER - W/BEARINGS    |        | 1       |
| 24  | 539 13 02-35 | RHSNB 3/8-16 X 2.75 GR5 ZD |        | 1       |
| 25  | 510 25 45-01 | SHIELD                     |        | 1       |
| 26  | 539 10 70-42 | BOLT                       |        | 1       |
| 27  | 539 10 93-32 | NUT 3/8-16 HEX JAM ZD      |        | 1       |
| 28  | 539 99 06-13 | NUT                        |        | 1       |
| 29  | 539 13 02-42 | BUSHING                    |        | 1       |
| 30  | 539 10 34-33 | SCREW                      |        | 1       |
| 31  | 510 20 63-01 | PIVOT                      |        | 1       |
| 32  | 539 10 22-43 | WASHER                     |        | 1       |
| 33  | 522 02 34-01 | WASHER                     |        | 1       |
| 34  | 539 10 13-31 | NUT                        |        | 1       |
| 35  | 539 11 55-28 | 1/2` CONTACT BELLSPR       |        | 1       |



# 36" MOWER DECK

## Lower Deck

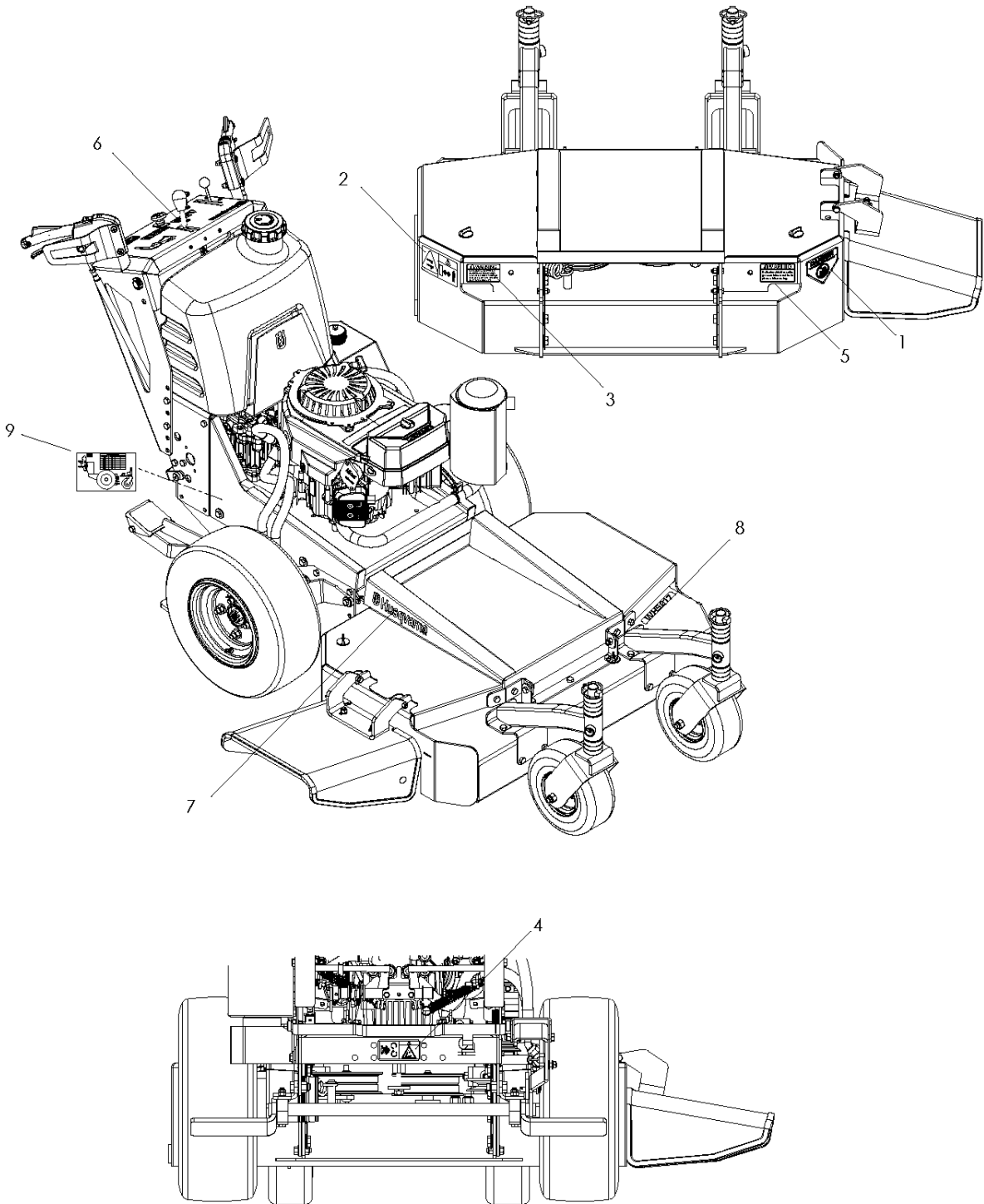


## 36INCH CUTTING DECK-- LOWER

WH3615 966947001, 2008-08

| Ref | Part No      | Description                   | Remark | QTY KIT |
|-----|--------------|-------------------------------|--------|---------|
| 1   | 539 13 13-85 | HOUSING ASM. 72               |        | 2       |
| 2   | 522 47 82-01 | CUTTER                        |        | 1       |
| 3   | 539 10 03-41 | BLADE                         |        | 2       |
| 4   | 539 11 90-07 | SCREW                         |        | 2       |
| 5   | 506 11 35-01 | NUT FLANGE                    |        | 7       |
| 6   | 539 13 25-92 | PLATE NUT - PAINTED           |        | 2       |
| 7   | 539 13 25-83 | HINGE                         |        | 1       |
| 8   | 539 13 09-03 | CHUTE. RUBBER DISCHARGE WB    |        | 1       |
| 9   | 539 13 09-22 | BRKT. REINF-CHUTE WB          |        | 1       |
| 10  | 539 99 07-17 | NUT                           |        | 13      |
| 11  | 539 99 01-88 | WASHER                        |        | 3       |
| 12  | 539 10 29-33 | RHSNB 5/16-18 X 1-1/2 GR 5 ZD |        | 2       |
| 13  | 539 10 04-72 | SCREW                         |        | 1       |
| 14  | 539 99 02-09 | SCREW                         |        | 2       |
| 15  | 539 97 73-26 | FITTING                       |        | 1       |
| 16  | 539 97 69-78 | NUT                           |        | 4       |
| 17  | 539 99 06-43 | HCS 1/4-20X7/8 GR5            |        | 4       |
| 18  | 539 99 05-98 | WASHER                        |        | 8       |
| 19  | 539 10 84-49 | HUB CAP                       |        | 1       |
| 20  | 539 10 14-74 | NIPPLE                        |        | 1       |
| 21  | 539 99 02-54 | WASHER                        |        | 4       |
| 22  | 539 10 84-50 | HUB CAP                       |        | 2       |
| 23  | 539 10 87-54 | SEALING RING                  |        | 2       |
| 24  | 539 99 06-27 | SCREW                         |        | 8       |
| 25  | 522 00 05-02 | WEIGHT                        |        | 2       |
| 26  | 539 10 83-74 | BOLT                          |        | 4       |
| 27  | 539 99 02-50 | WASHER                        |        | 4       |

# DECALS



DECALS

WH3615 966947001, 2008-08

| Ref | Part No      | Description | Remark    | QTY KIT |
|-----|--------------|-------------|-----------|---------|
| 1   | 539 91 30-10 | DECAL       |           | 1       |
| 2   | 539 10 57-46 | DECAL       |           | 1       |
| 3   | 539 10 18-81 | DECAL       |           | 1       |
| 4   | 539 10 57-44 | DECAL       |           | 1       |
| 5   | 539 11 32-24 | DECAL       |           | 1       |
| 6   | 520 28 26-01 | DECAL       |           | 1       |
| 7   | 532 42 20-12 | DECAL       |           | 2       |
| 8   | 532 42 20-11 | DECAL       |           | 1       |
| 9   | 521 93 37-01 | DECAL       |           | 1       |
|     | 520 28 22-01 | DECAL       | NOT SHOWN | 1       |