



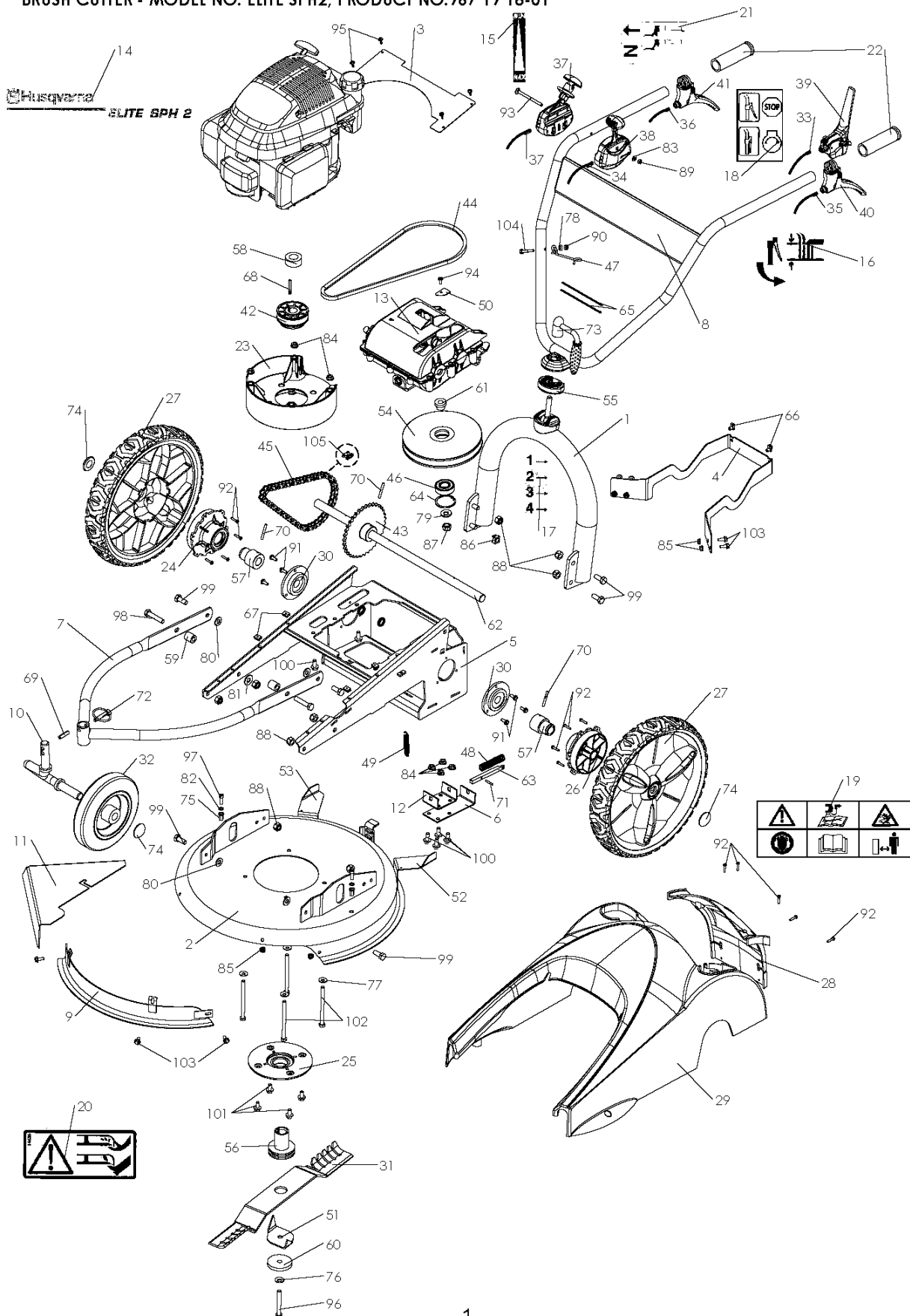
SPARE PARTS LIST

LAWN MOWERS: COMMERCIAL
WALK-BEHINDS

ELITE SPH2, 967191801, 2012-04

REPAIR PARTS

BRUSH CUTTER - MODEL NO. ELITE SPH2, PRODUCT NO.967 19 18-01

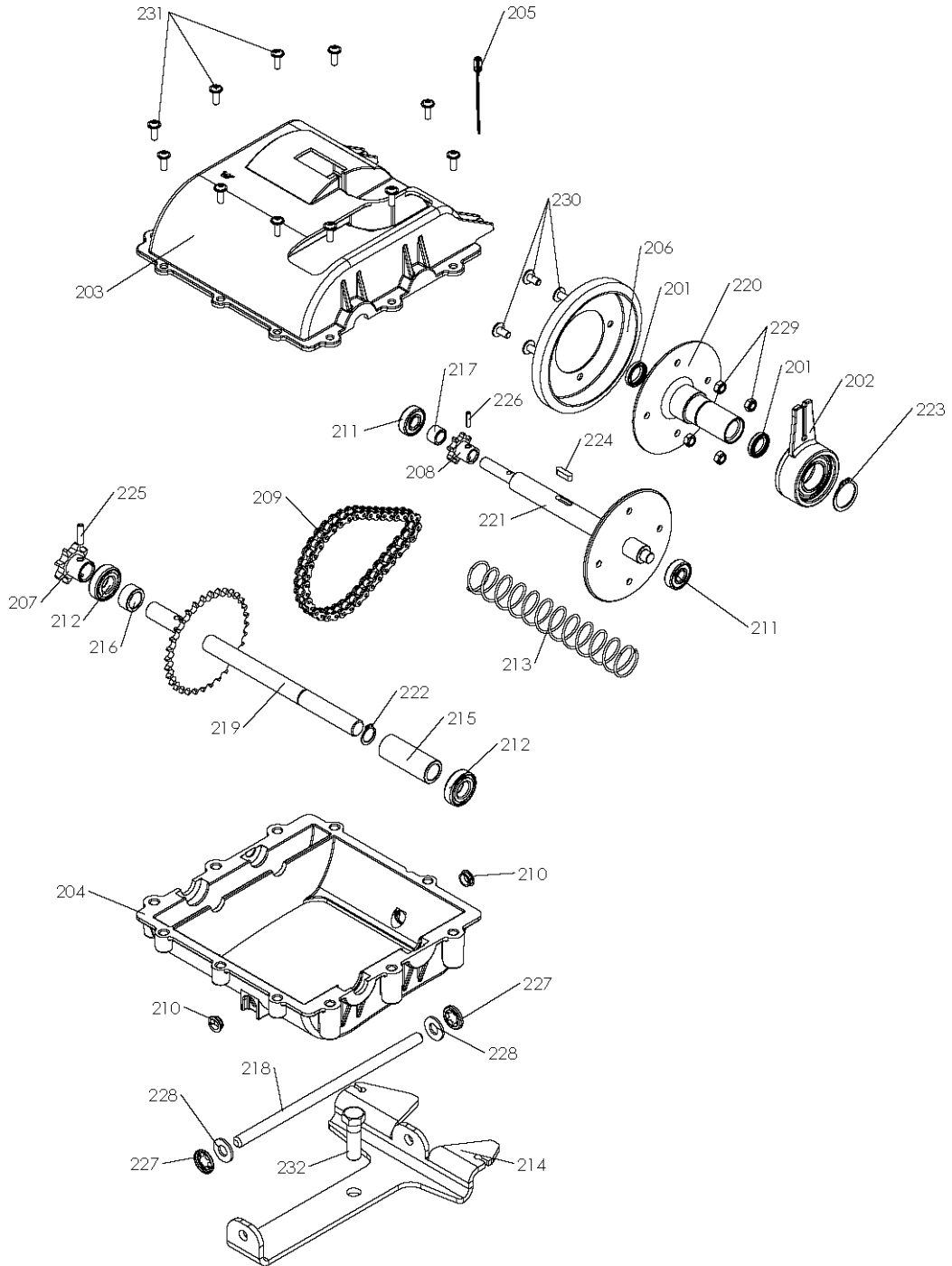


Ref	Part No	Description	Remark	QTY KIT
1	585 42 45-01	HANDLE TUBE		1
2	585 42 46-01	CUTTING DECK		1
3	585 42 47-01	COVER PLATE		1
4	585 42 48-01	SUPPORT FLANGE		1
5	585 42 49-01	FRAME ASSY		1
6	531 00 94-33	SUPPORT		1
7	585 42 50-01	FRAME		1
8	585 42 51-01	HANDLEBAR		1
9	585 42 52-01	DEFLECTOR		1
10	585 42 84-01	FRONT AXLE		1
11	585 42 53-01	DEFLECTOR		1
12	531 00 85-92	SUPPORT		1
13	585 42 54-01	TRANSMISSION		1
14	531 29 05-01	LABEL		1
15	585 42 55-01	STICKER		1
16	531 00 94-67	DECALC.REGLAGE DE COUPE		1
17	531 00 94-68	DECALC.REGLAGE DE COUPE		1
18	531 00 84-06	LABEL		1
19	531 00 84-05	LABEL		1
20	519 65 32-63	LABEL		2
21	519 00 62-25	DECAL		1
22	544 31 14-01	GRIP		2
23	544 29 17-01	WASHER PLASTIC		1
24	531 00 94-63	PALIER ROUE LIBRE DROIT		1
25	531 00 94-37	COUELLE PROTEGE LAME		1
26	531 00 94-62	PALIER ROUE LIBRE GAUCHE		1
27	531 00 94-36	ROUE COMPLETE		2
28	531 00 94-73	TRAPPE DE VISITE		1
29	531 00 94-72	CAPOT MOTEUR ORANGE		1
30	531 00 83-58	PALIER ARBRE DE ROUE 15366		2
31	531 00 94-60	LAME DE COUPE		1
32	531 00 94-38	ROUE AVANT		1
33	585 42 56-01	CABLE		1
34	531 00 94-51	CABLE DE VITESSE		1
35	585 42 58-01	CABLE		1
36	585 42 59-01	CABLE		1
37	585 42 60-01	CABLE		1
38	585 42 61-01	THROTTLE CONTROL		1
39	504 05 15-01	LEVER		1
40	504 05 14-01	LEVER		1
41	544 31 13-01	CLUTCH LEVER		1
42	531 00 94-70	POULIE DE VARIATEUR		1
43	585 42 62-01	SPROCKET		1
44	585 42 63-01	BELT		1
45	585 42 64-01	CHAIN		1
46	585 42 65-01	BALL BEARING		1
47	531 00 85-97	ACCROCHE LANCEUR		1
48	519 65 32-09	RESSORT DE VERROUILLAGE 13016		1
49	585 42 66-01	SPRING		2
50	585 42 67-01	PLATE		1
51	531 00 94-35	COUELLE MAINTEN DE LAME		1
52	531 00 94-71	RENFORT CARTER ARRIERE GAUCHE		1
53	531 00 94-69	RENFORT CARTER ARRIERE DROIT		1
54	585 42 68-01	PULLEY		1
55	531 00 94-34	ELIPSE INTERIEUR		1
56	585 42 69-01	BLADE SUPPORT		1
57	531 00 94-61	HUB		2
58	585 42 70-01	SPACER		1
59	531 00 94-41	ENTRETOISE CHASSIS		2
60	519 65 32-74	WASHER		1
61	585 42 71-01	AXLE		1
62	531 00 94-58	ARBRE DE ROUE		1
63	531 00 85-94	AXE		1
64	531 00 85-06	CIRCLIP		1

Ref	Part No	Description	Remark	QTY KIT
65	544 31 11-01	COLLAR		2
66	531 00 94-47	CLIP		2
67	519 65 34-25	CLIP		4
68	519 65 30-21	KEY		1
69	531 00 85-64	GOUPILLE 8X30		1
70	519 65 31-70	GOUPILLE GM 5 X 40 11768		3
71	531 00 83-98	GOUPILLE 4X24 HBK		1
72	519 65 31-67	GOUPILLE 11710		1
73	544 36 22-01	LEVER		1
74	519 65 31-74	HUB CAP		3
75	585 42 73-01	INSERT		2
76	504 05 22-01	WASHER		1
77	544 31 49-01	WASHER		4
78	531 00 94-03	WASHER		1
79	519 65 34-53	WASHER		1
80	531 00 83-89	WASHER		4
81	531 00 84-66	WASHER		2
82	531 00 85-64	GOUPILLE 8X30		2
83	519 65 34-49	WASHER		1
84	519 65 34-30	NUT		8
85	519 65 34-32	NUT		7
86	585 42 74-01	NUT		1
87	752 25 50-51	ECROU DE FREIN		1
88	519 65 34-58	NUT		9
89	732 26 16-01	NUT		1
90	501 98 59-01	NUT		1
91	504 05 27-01	SCREW		6
92	531 00 94-49	SCREW		17
93	585 42 75-01	SCREW		1
94	585 43 17-01	SCREW		1
95	519 65 34-26	SCREW		4
96	531 00 83-18	SCREW		1
97	531 00 84-09	SCREW		2
98	519 65 31-27	SCREW		2
99	519 65 31-23	SCREW		8
100	519 65 34-33	NUT		8
101	531 00 82-02	BOLT		4
102	519 65 30-45	SCREW		4
103	519 65 34-35	SCREW		7
104	519 65 34-37	SCREW		1
105	504 07 22-01	QUICK COUPLING		1

REPAIR PARTS

BRUSH CUTTER - MODEL NO. ELITE SPH2, PRODUCT NO.967 19 18-01



PRODUCT COMPLETE

ELITE SPH2, 967191801, 2012-04

Ref	Part No	Description	Remark	QTY KIT
201	585 42 89-01	SEALING RING		2
202	585 42 91-01	SUPPORT CUP		1
203	585 42 93-01	COVER KIT		1
204	585 42 94-01	COVER HALF		1
205	585 42 95-01	CABLE		1
206	585 42 96-01	DRIVING PULLEY		1
207	585 42 97-01	SPROCKET		1
208	585 42 98-01	SPROCKET		1
209	585 42 99-01	CHAIN		1
210	585 43 00-01	SEALING RING		2
211	585 43 01-01	BALL BEARING		2
212	585 43 02-01	BALL BEARING		2
213	585 43 03-01	SPRING		1
214	585 43 04-01	BRACKET		1
215	585 43 05-01	SPACER		1
216	585 43 06-01	SPACER		1
217	585 43 07-01	SPACER		1
218	585 43 08-01	AXLE		1
219	585 43 09-01	SHAFT ASSY		1
220	585 43 10-01	HUB ASSY		1
221	585 43 11-01	SHAFT ASSY		1
222	544 34 62-01	CIRCLIP		1
223	501 99 69-01	RING		1
224	531 00 83-95	PIN RETAINING SCREW		1
225	585 43 15-01	PEN		1
226	585 43 16-01	PEN		1
227	519 65 34-62	WASHER		2
228	531 00 83-89	WASHER		2
229	732 26 16-01	NUT		4
230	580 31 37-01	SCREW		4
231	585 43 17-01	SCREW		11
232	501 99 19-01	SCREW		1