



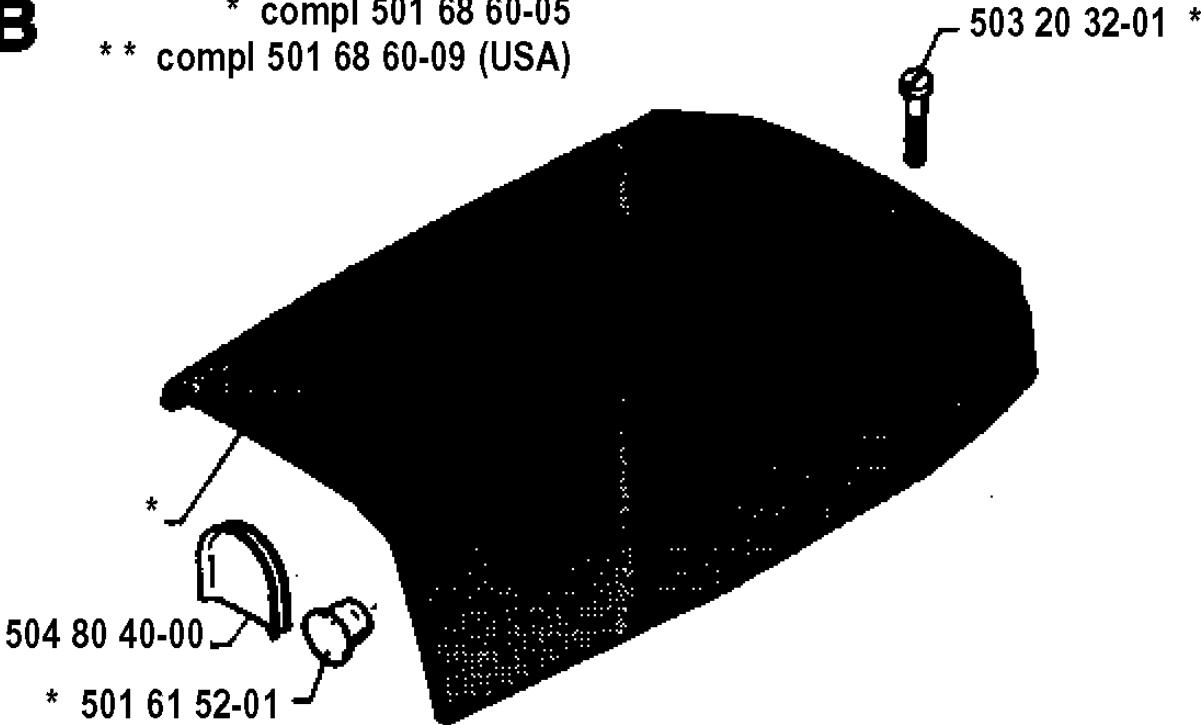
SPARE PARTS LIST

CHAIN SAWS

66, 1991-03

B

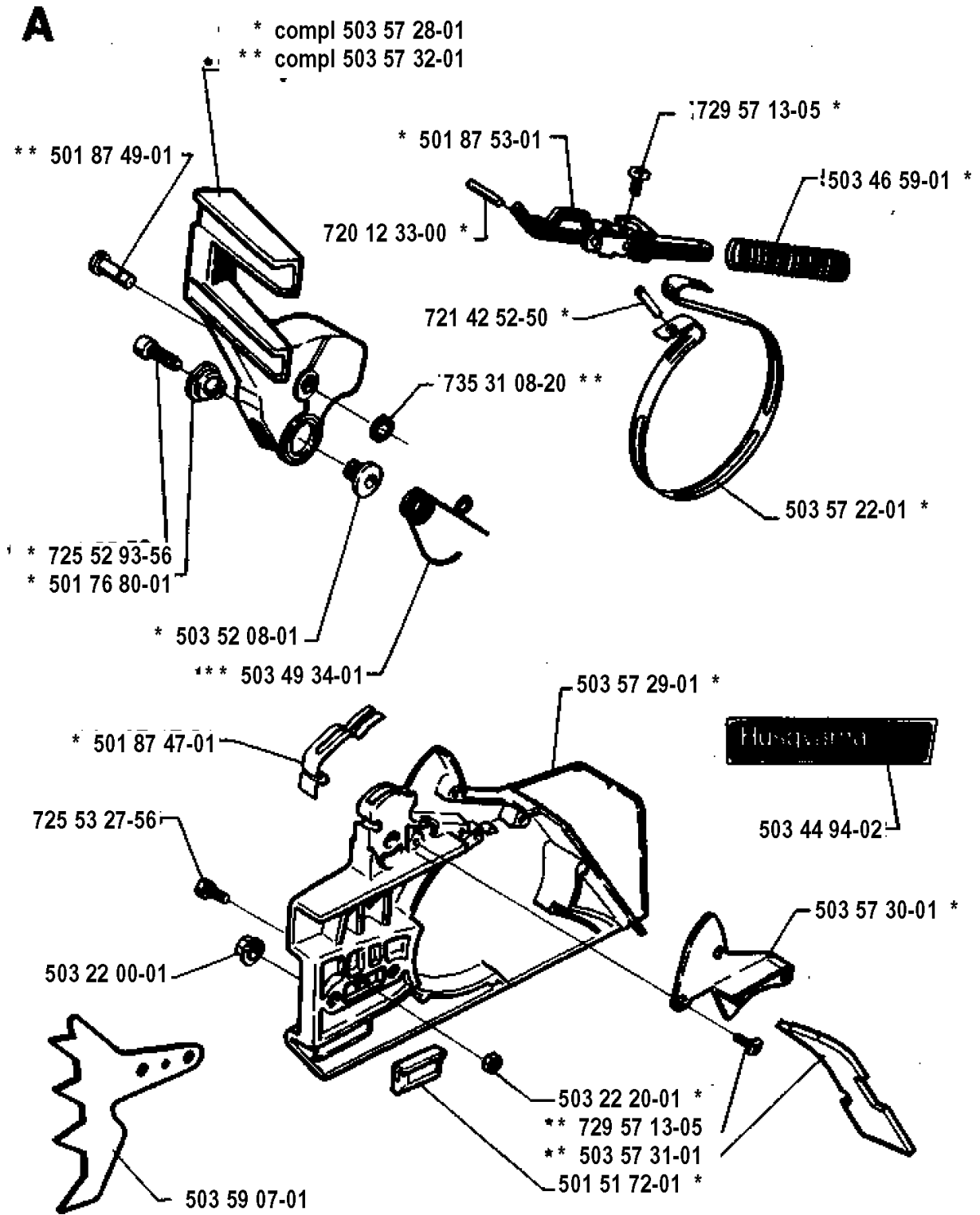
* compl 501 68 60-05
** compl 501 68 60-09 (USA)



COVER

66, 1991-03

Part No	Description	Remark	QTY KIT
501 61 52-01	PLUG		1
501 68 60-05	CYLINDER COVER ASSY		1
501 68 60-09	CYLINDER COVER ASSY	USA	1
503 20 32-01	SCREW CCRPANMO		1
504 80 40-00	COVER		1

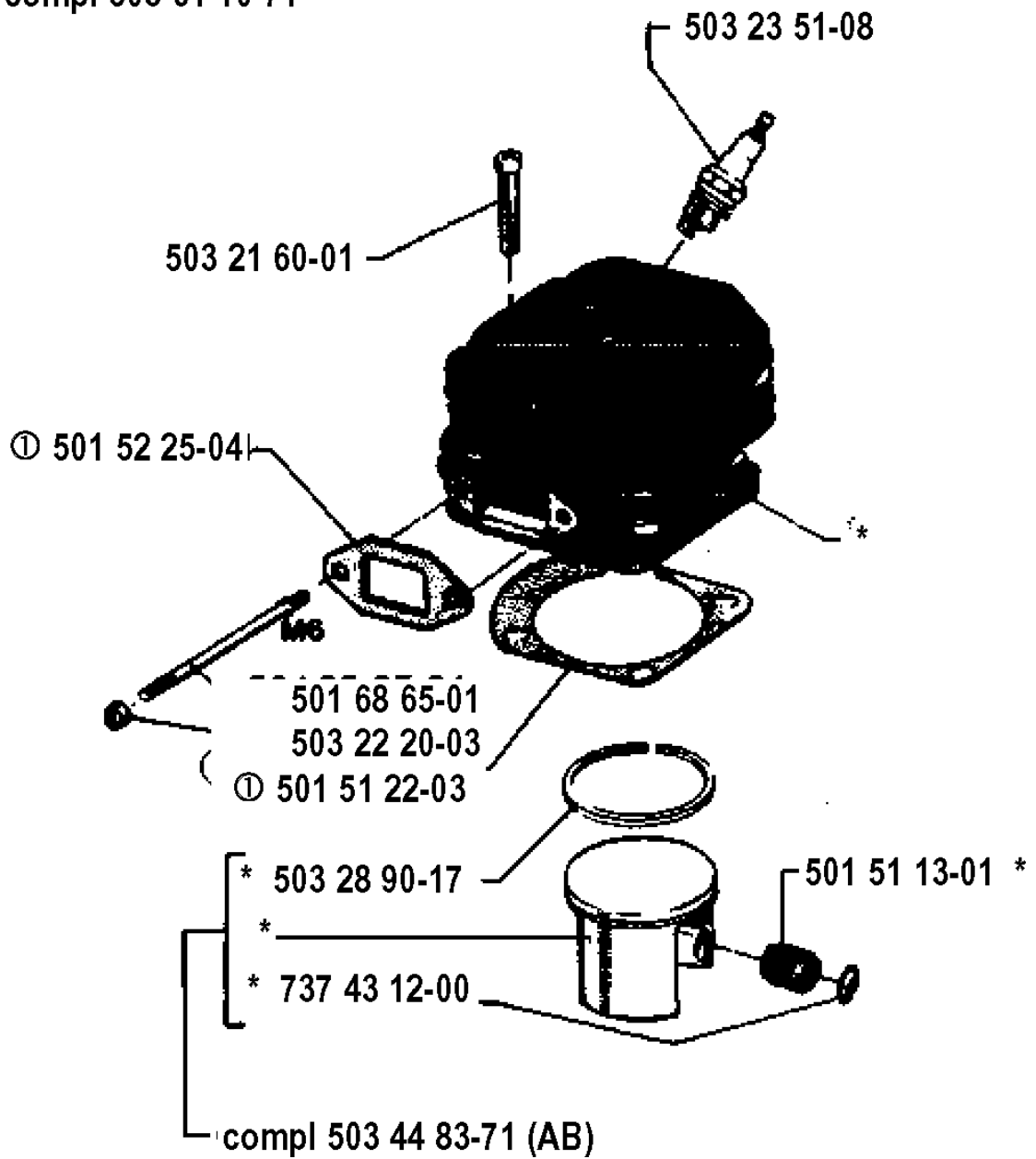


CHAIN BRAKE

66, 1991-03

Part No	Description	Remark	QTY KIT
501 51 72-01	CHAIN GUIDE		1
501 76 80-01	SHAFT		1
501 87 47-01	SPRING		1
501 87 49-01	PIVOT PIN		1
501 87 53-01	KNEE JOINT ASSY		1
503 22 00-01	HEXAGON NUT		1
503 22 20-01	LOCK NUT		1
503 44 94-02	DECAL		1
503 46 59-01	BRAKE SPRING		1
503 49 34-01	POSITION SPRING		1
503 52 08-01	SHAFT		1
503 57 22-01	BRAKE BAND		1
503 57 28-01	CLUTCH COVER ASSY		1
503 57 29-01	CLUTCH COVER		1
503 57 30-01	LID		1
503 57 31-01	CHIP GUARD		1
503 57 32-01	HAND GUARD ASSY		1
503 59 07-01	SPIKE		1
720 12 33-00	PARALLEL PIN		1
721 42 52-50	SPRING PIN		1
725 52 93-56	SCREW IHSCM		1
725 53 27-56	SCREW IHSCM		1
729 57 13-05	SCREW CRPANT		1
729 57 13-05	SCREW CRPANT		1
735 31 08-20	E-CLIP		1

C * compl 503 61 10-71



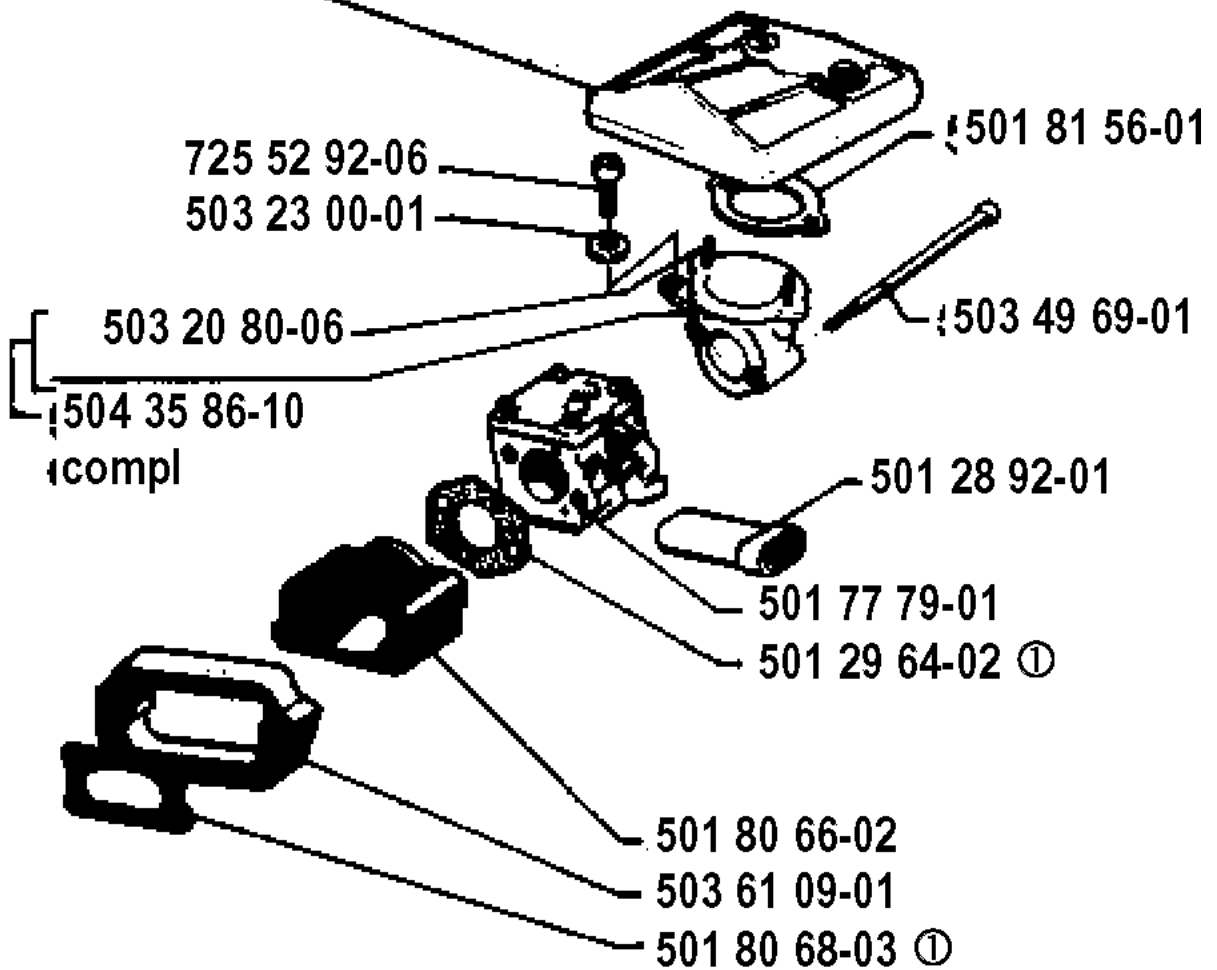
CYLINDER PISTON

66, 1991-03

Part No	Description	Remark	QTY KIT
501 51 13-01	NEEDLE HOLDER		1
501 51 22-03	GASKET		1
501 52 25-04	GASKET		1
501 68 65-01	SCREW		1
503 21 60-01	SCREW		1
503 22 20-03	LOCK NUT		1
503 23 51-08	SPARK PLUG		1
503 28 90-17	PISTON RING		1
503 44 83-71	PISTON ASSY	AB	1
503 61 10-71	CYLINDER ASSY		1
737 43 12-00	SNAP RING		1

D

- 501 80 71-01 (Nylon-medium mesh)
- 501 80 71-04 (Nylong-fine mesh)
- 501 80 71-05 (None wowed)

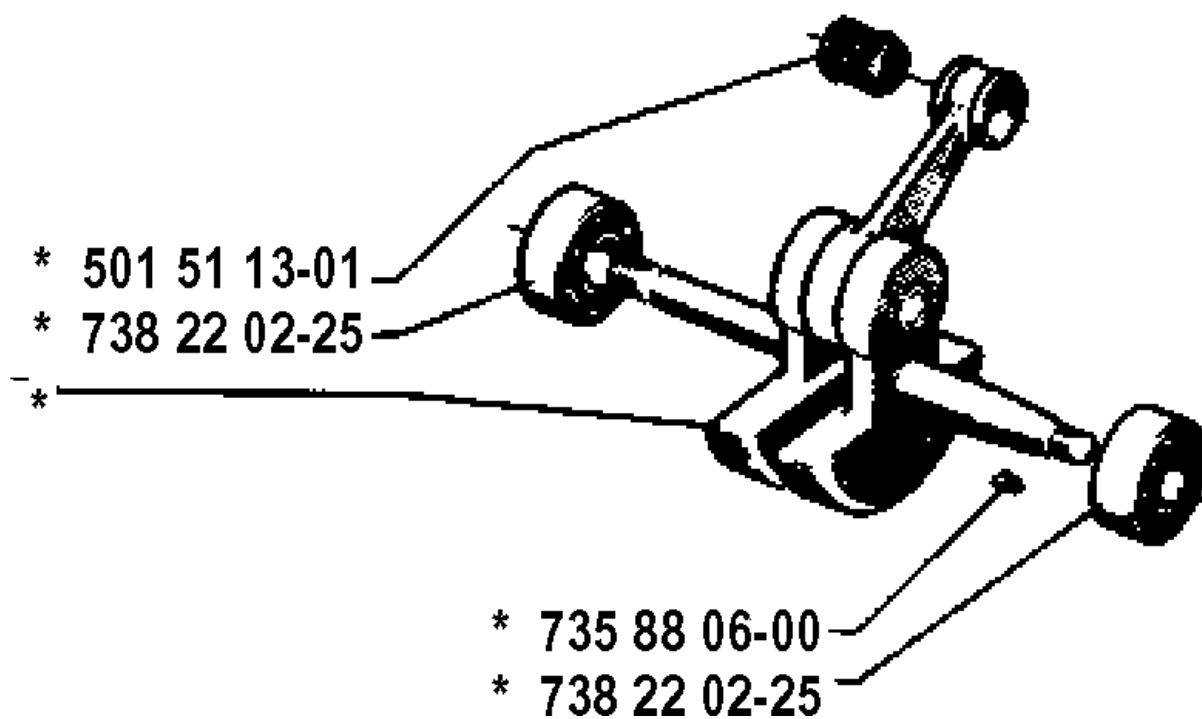


CARBURETOR & AIR FILTER

66, 1991-03

Part No	Description	Remark	QTY KIT
501 28 92-01	GUIDE BUSHING		1
501 29 64-02	GASKET		1
501 77 79-01	CARBURETTOR		1
501 80 66-02	MANIFOLD		1
501 80 68-03	GASKET		1
501 80 71-01	AIR FILTER ASSY	NYLON-MEDIUM MESH	1
501 80 71-04	AIR FILTER ASSY	NYLONG-FINE MESH	1
501 80 71-05	AIR FILTER ASSY	NONE WOWEN	1
501 81 56-01	GASKET		1
503 20 80-06	SCREW		1
503 23 00-01	WASHER		1
503 49 69-01	SCREW		1
503 61 09-01	SEALING COLLAR		1
504 35 86-10	FILTER HOLDER		1
725 52 92-06	SCREW		1

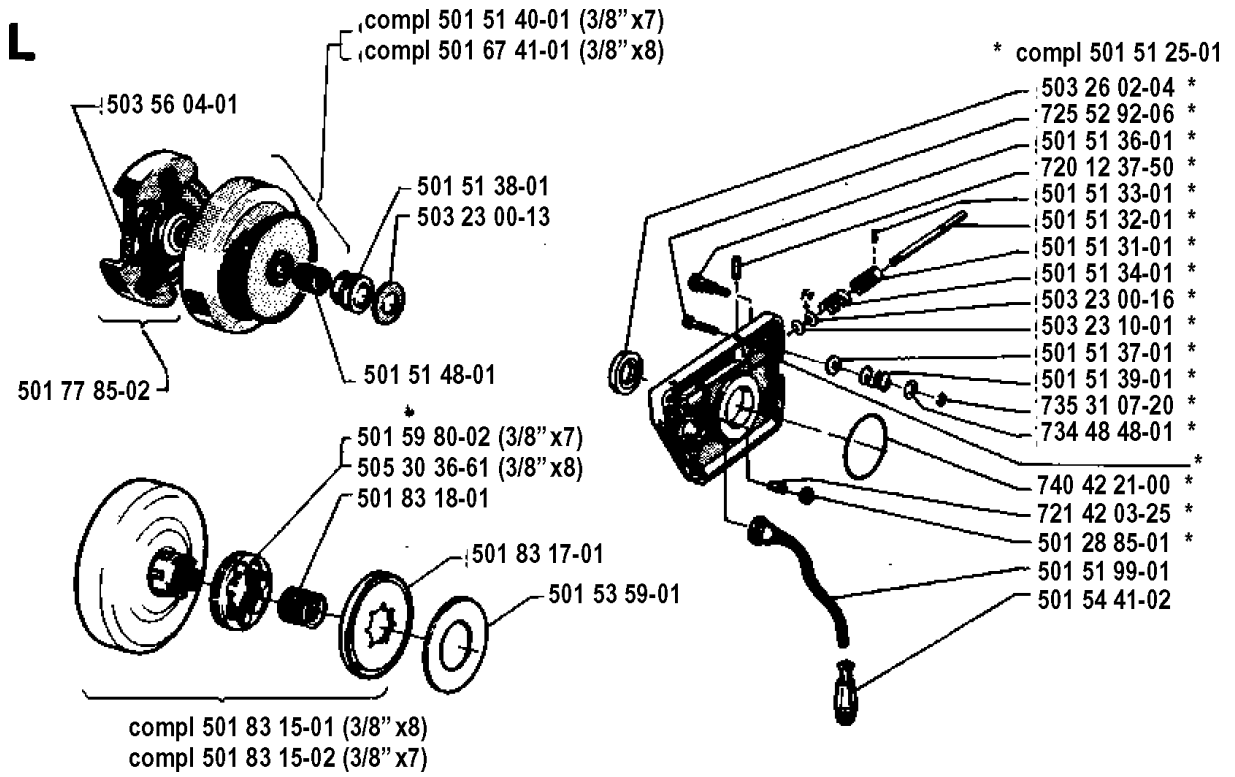
H * compl 501 52 84-02



CRANKSHAFT

66, 1991-03

Part No	Description	Remark	QTY KIT
501 51 13-01	NEEDLE HOLDER		1
501 52 84-02	CRANKSHAFT		1
735 88 06-00	WOODRUFF KEY		1
738 22 02-25	BALL BEARING		1
738 22 02-25	BALL BEARING		1

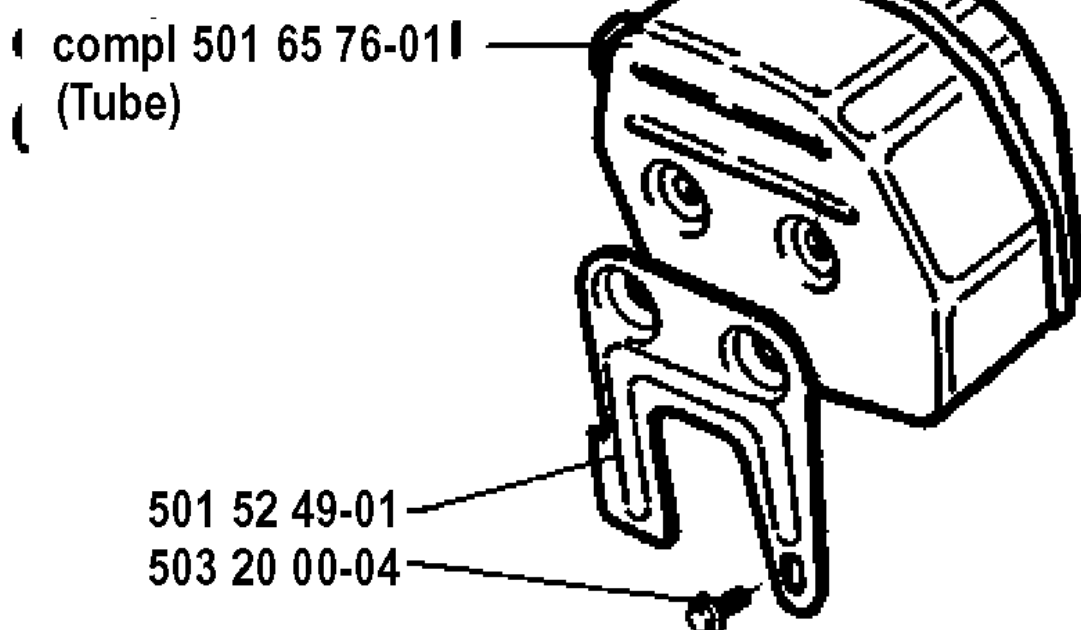
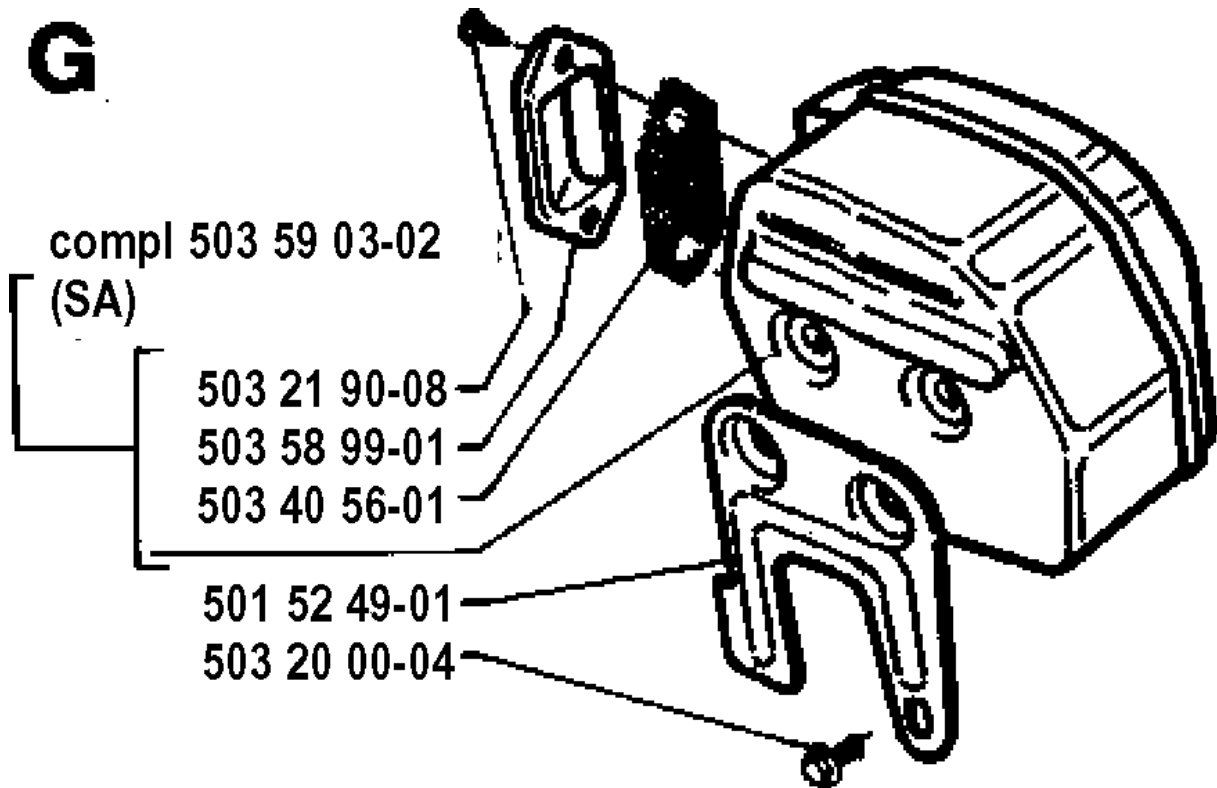


CLUTCH & OIL PUMP

66, 1991-03

Part No	Description	Remark	QTY KIT
501 28 85-01	SEAL		1
501 51 25-01	OIL PUMP ASSY		1
501 51 31-01	GEAR WHEEL		1
501 51 32-01	SHAFT		1
501 51 33-01	STOP SCREW		1
501 51 34-01	SPRING		1
501 51 36-01	ADJUSTMENT SCREW		1
501 51 37-01	FIXING WASHER		1
501 51 38-01	GEAR WHEEL		1
501 51 39-01	SPRING		1
501 51 40-01	CLUTCH DRUM ASSY	3/8 X7	1
501 51 48-01	NEEDLE BEARING		1
501 51 99-01	OIL HOSE		1
501 53 59-01	WASHER		1
501 54 41-02	OIL SCREEN		1
501 59 80-02	RIM	3/8 X7	1
501 67 41-01	CLUTCH DRUM	3/8 X8	1
501 77 85-02	CENTRIFUGAL CLUTCH		1
501 83 15-01	CLUTCH DRUM ASSY	3/8 X8	1
501 83 15-02	CLUTCH DRUM ASSY	3/8 X7	1
501 83 17-01	WASHER		1
501 83 18-01	NEEDLE BEARING		1
503 23 00-13	WASHER		1
503 23 00-16	WASHER		1
503 23 10-01	WASHER		1
503 26 02-04	SEALING RING		1
503 56 04-01	CLUTCH SPRING		1
505 30 36-61	RIM	3/8 X8	1
720 12 37-50	PARALLEL PIN		1
721 42 03-25	PINNE FRP-LS3X6 OXSV		1
725 52 92-06	SCREW		1
734 48 48-01	WASHER		1
735 31 07-20	E-CLIP		1
740 42 21-00	O-RING		1

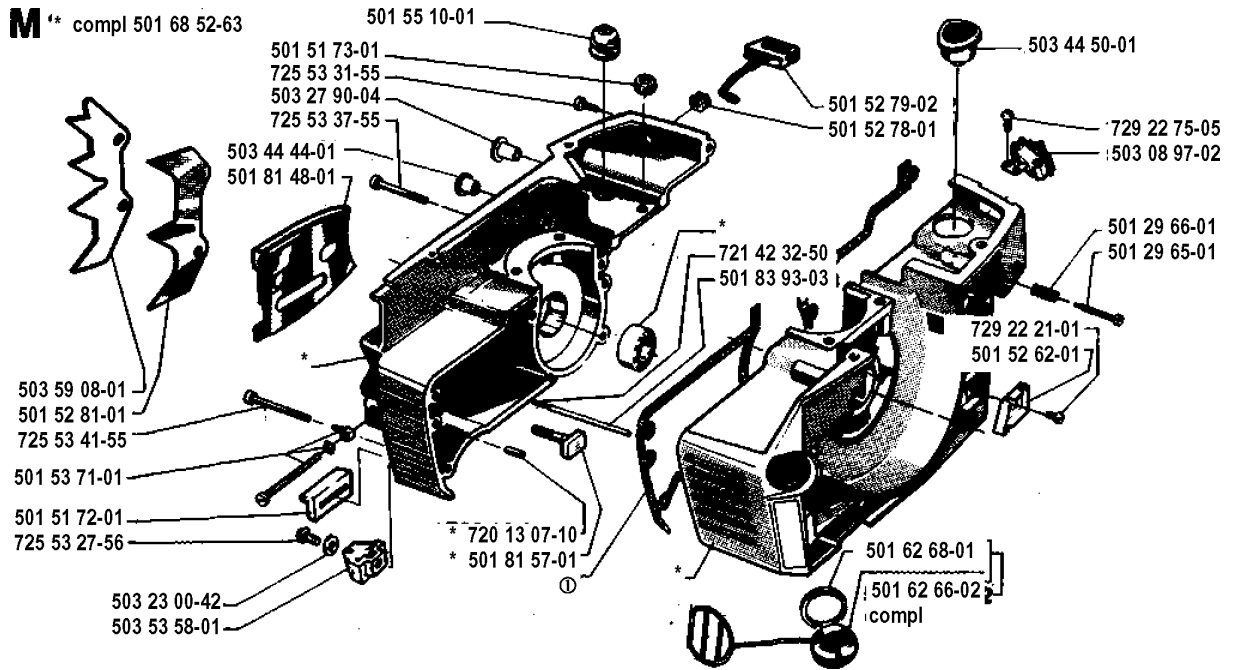
G



MUFFLER

66, 1991-03

Part No	Description	Remark	QTY KIT
501 52 49-01	BRACKET		1
501 52 49-01	BRACKET		1
501 65 76-01	MUFFLER PIPE	TUBE	1
503 20 00-04	SCREW EHHFM		1
503 20 00-04	SCREW EHHFM		1
503 21 90-08	SCREW CCRPANM		1
503 40 56-01	SPARK ARRESTER SCREEN		1
503 58 99-01	EXHAUST DUCT		1
503 59 03-02	MUFFLER ASSY	SA	1

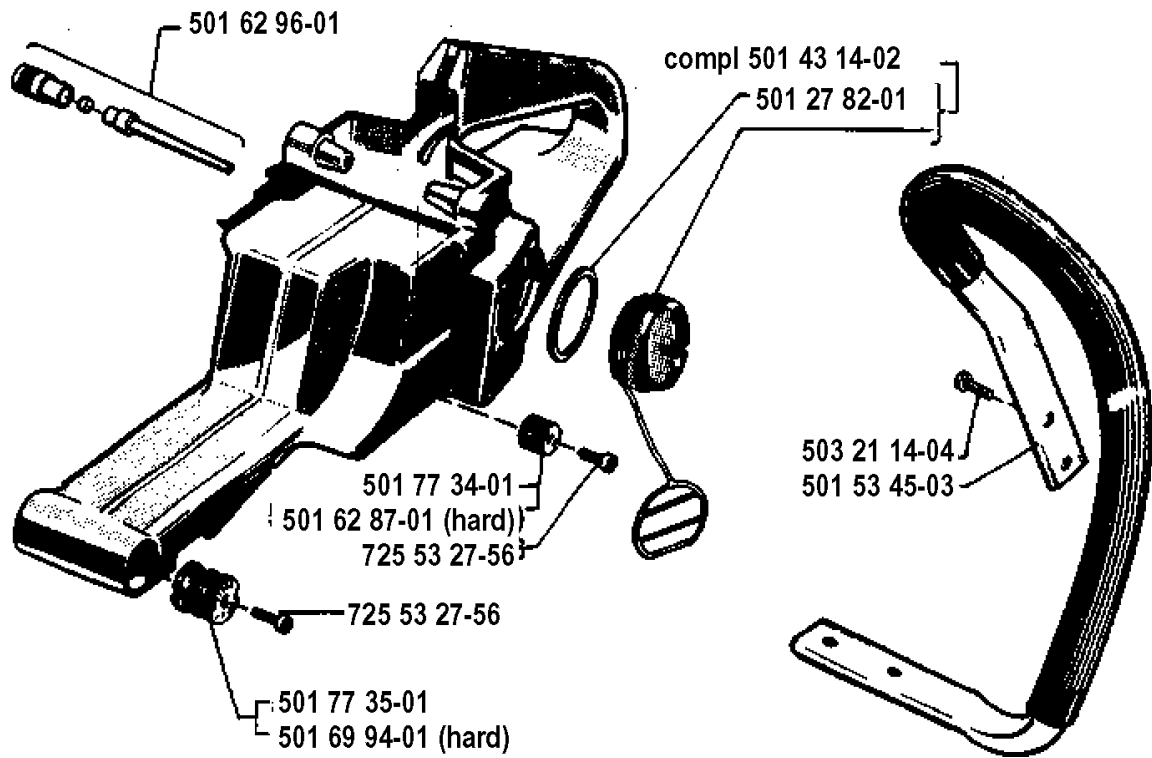
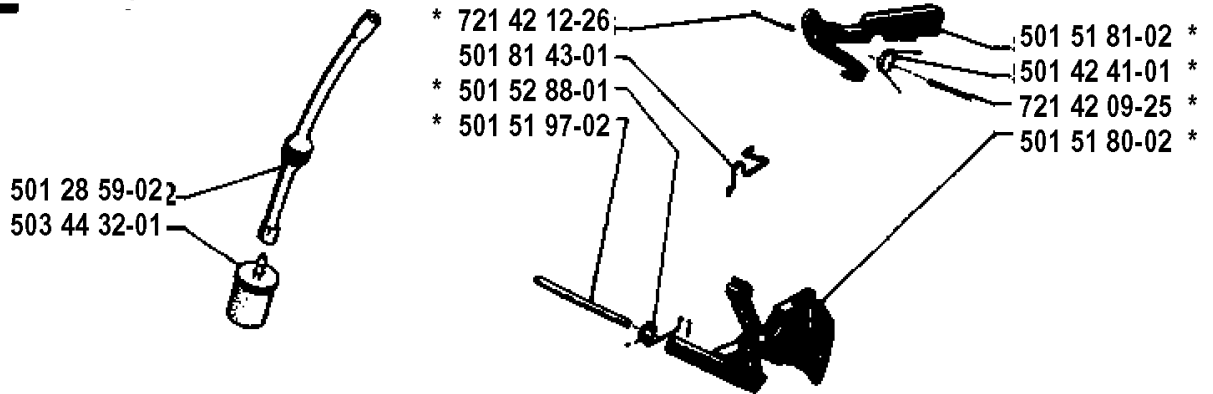


CRANKCASE

66, 1991-03

Part No	Description	Remark	QTY KIT
501 29 65-01	SCREW		1
501 29 66-01	SPRING		1
501 51 72-01	CHAIN GUIDE		1
501 51 73-01	PLUG		1
501 52 62-01	COVER		1
501 52 78-01	GROMMET		1
501 52 79-02	CHOKE CONTROL		1
501 52 81-01	SPIKE		1
501 53 71-01	CHAIN TENSIONER KIT		1
501 55 10-01	SEALING		1
501 62 66-02	TANK		1
501 62 68-01	GASKET		1
501 68 52-63	CRANKCASE		1
501 81 48-01	PROTECTIVE PLATE		1
501 81 57-01	BAR BOLT		1
501 83 93-03	OIL TANK VENT		1
503 08 97-02	STOP SWITCH		1
503 23 00-42	WASHER		1
503 27 90-04	PLUG		1
503 44 44-01	BUSHING		1
503 44 50-01	BELLOWS		1
503 53 58-01	CHAIN CATCHER		1
503 59 08-01	SPIKE		1
720 13 07-10	PARALLEL PIN		1
721 42 32-50	SPRING PIN		1
725 53 27-56	SCREW IHSCM		1
725 53 31-55	SCREW IHSCM		1
725 53 37-55	SCREW IHSCM		1
725 53 41-55	SCREW IHSCM		1
729 22 21-01	SCREW SLPANT		1
729 22 75-05	SCREW SLPANT		1

E * compl 501 69 90-10

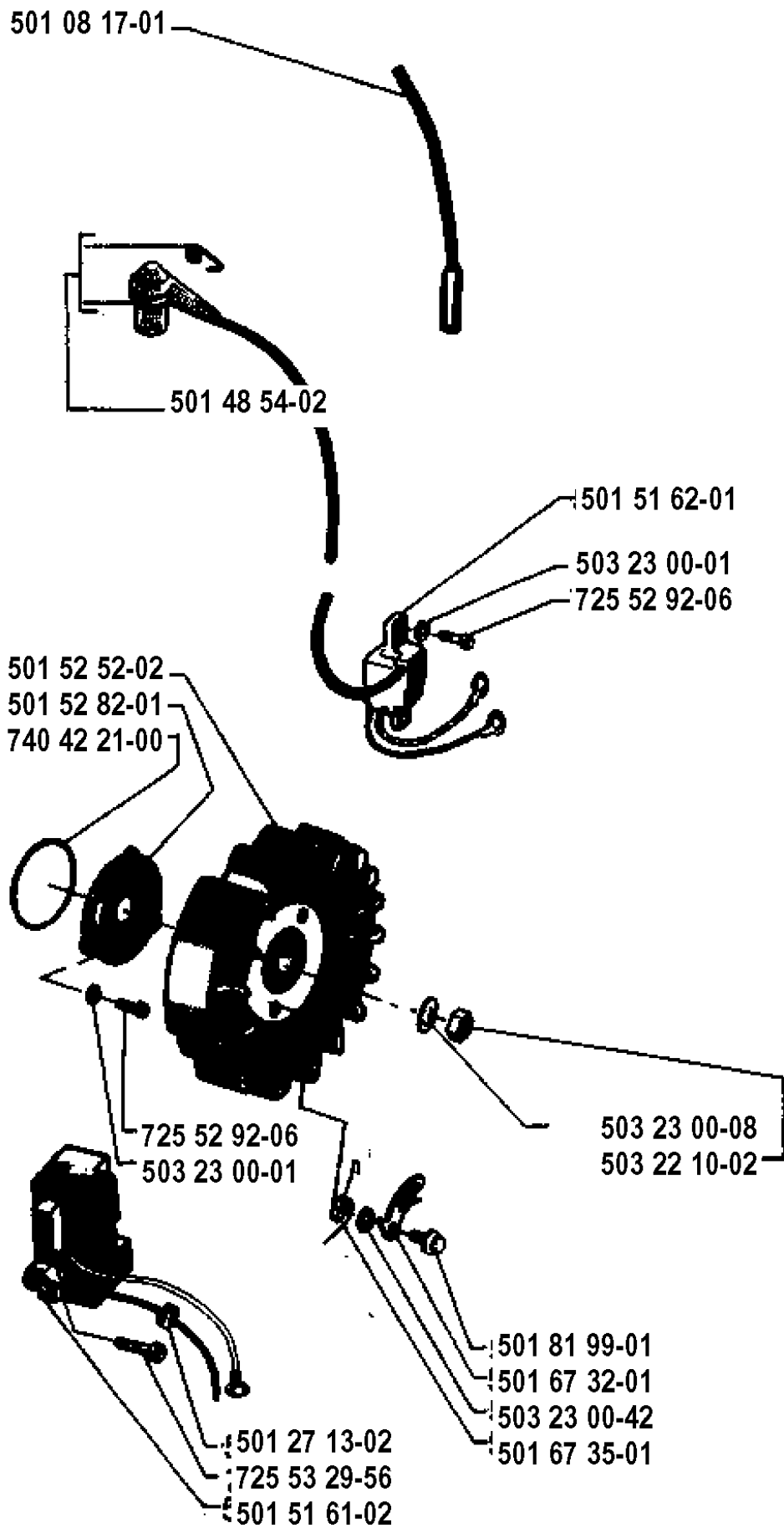


FUEL TANK & HANDLE

66, 1991-03

Part No	Description	Remark	QTY KIT
501 27 82-01	GASKET		1
501 28 59-02	FUEL HOSE		1
501 42 41-01	SPRING		1
501 43 14-02	TANK CAP ASSY		1
501 51 80-02	THROTTLE LEVER		1
501 51 81-02	THROTTLE LOCKOUT		1
501 51 97-02	ROD		1
501 52 88-01	RECOIL SPRING		1
501 53 45-03	FRONT HANDLE ASSY		1
501 62 87-01	ANTIVIBRATION ELEMENT	HARD	1
501 62 96-01	TANK VENT		1
501 69 90-10	FUEL TANK ASSY		1
501 69 94-01	ANTIVIBRATION ELEMENT	HARD	1
501 77 34-01	ANTIVIBRATION ELEMENT		1
501 77 35-01	ANTIVIBRATION ELEMENT		1
501 81 43-01	WIRE		1
503 21 14-04	SCREW EHHFT		1
503 44 32-01	FUEL FILTER		1
721 42 09-25	PINNE FRPLS3X18		1
721 42 12-26	SPRING PIN		1
725 53 27-56	SCREW IHSCM		1
725 53 27-56	SCREW IHSCM		1

J

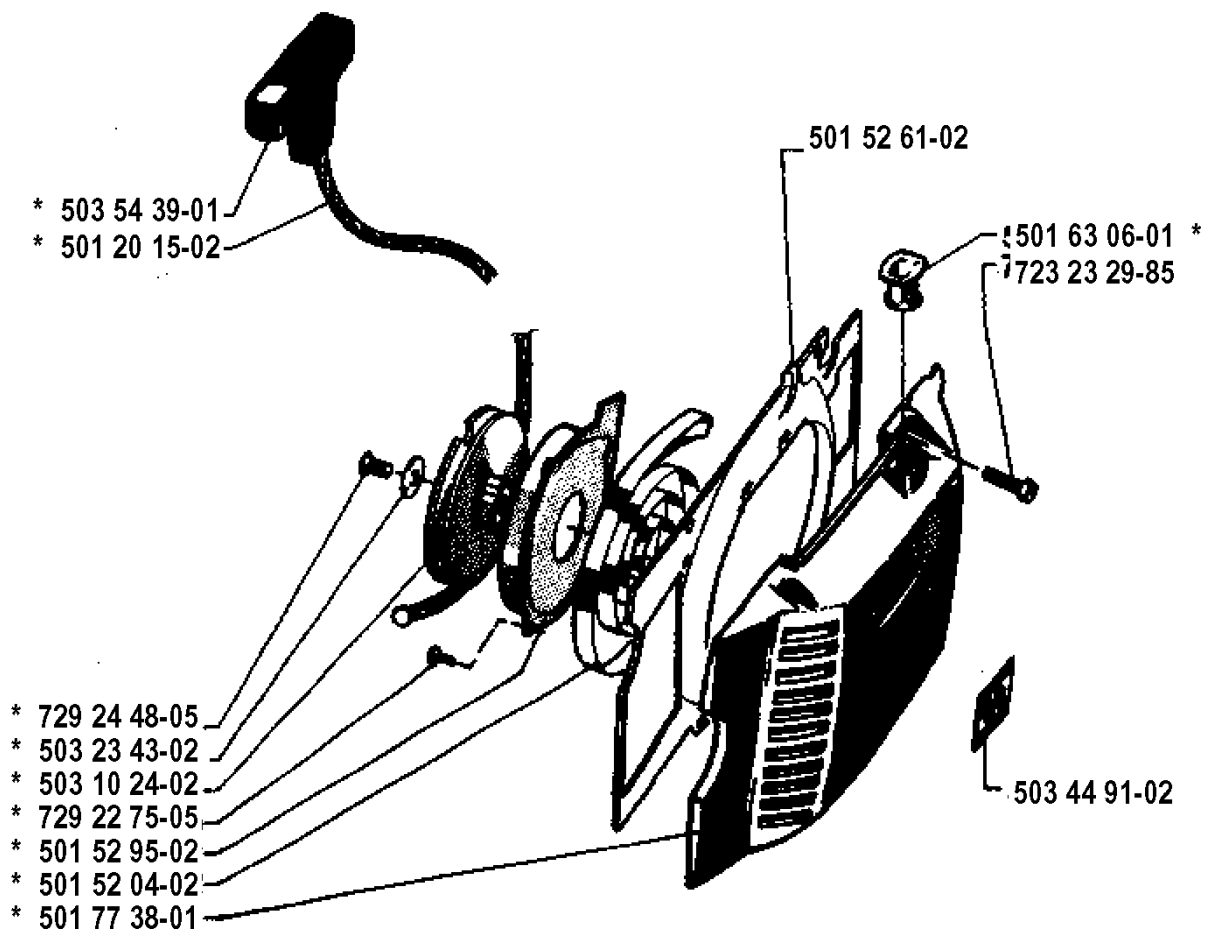


IGNITION SYSTEM

66, 1991-03

Part No	Description	Remark	QTY KIT
501 08 17-01	IGNITION CABLE		1
501 27 13-02	CABLE GROMMET		1
501 48 54-02	SPARK PLUG CAP		1
501 51 61-02	MODULE		1
501 51 62-01	IGNITION COIL		1
501 52 52-02	FLYWHEEL ASSY		1
501 52 82-01	WASHER		1
501 67 32-01	PAWL		1
501 67 35-01	SPRING		1
501 81 99-01	SCREW		1
503 22 10-02	HEXAGON NUT		1
503 23 00-01	WASHER		1
503 23 00-01	WASHER		1
503 23 00-08	WASHER		1
503 23 00-42	WASHER		1
725 52 92-06	SCREW		1
725 52 92-06	SCREW		1
725 53 29-56	SCREW IHSCM		1
740 42 21-00	O-RING		1

K * compl 501 77 67-02



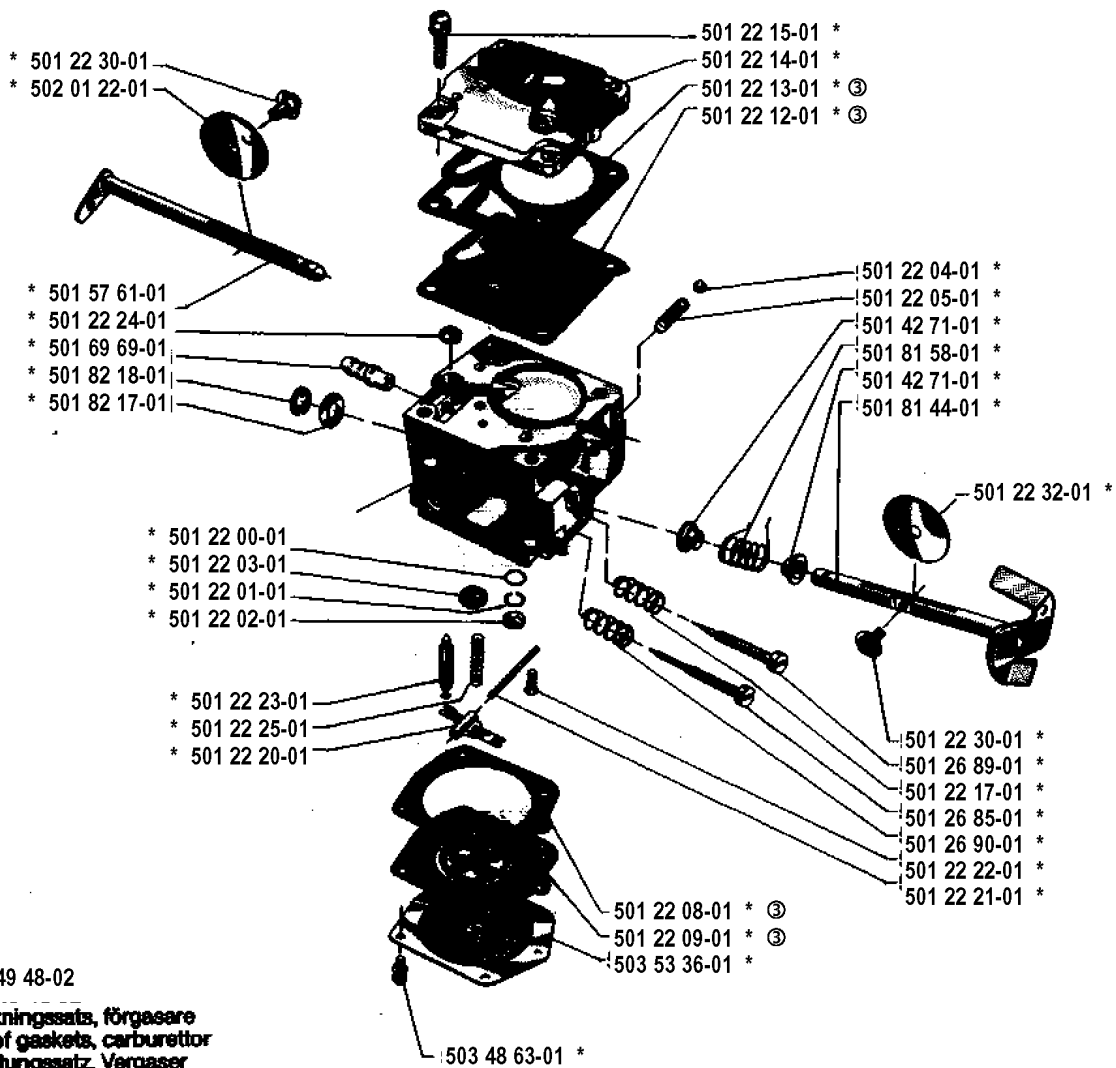
STARTER

66, 1991-03

Ref	Part No	Description	Remark	QTY KIT
501 77 67-02	501 77 67-02	STARTER ASSY		1
503 54 39-01	503 54 39-01	STARTER HANDLE		1
501 20 15-02	501 20 15-02	STARTER CORD		1
729 24 48-05	729 24 48-05	SCREW SLPANT		1
503 23 43-02	503 23 43-02	WASHER		1
503 10 24-02	503 10 24-02	STARTER PULLEY		1
729 22 75-05	729 22 75-05	SCREW SLPANT		1
501 52 95-02	501 52 95-02	GUARD RING		1
501 52 04-02	501 52 04-02	RECOIL SPRING		1
501 77 38-01	501 77 68-01	STARTER HOUSING		1
503 44 91-02	503 44 91-02	SIGN		1
723 23 29-85	723 23 29-85	SCREW SLPANM		1
501 63 06-01	501 63 06-01	SLEEVE		1
501 52 61-02	501 52 61-02	AIR CONDUCTOR		1

⊙ * compl 501 77 79-01

Tillotson HS 224 A



⊙
501 49 48-02

Packingsatz, förgasare
 Set of gaskets, carburettor
 Dichtungssatz, Vergaser
 Jeu de joints, carburettor

CARBURETOR DETAILS

66, 1991-03

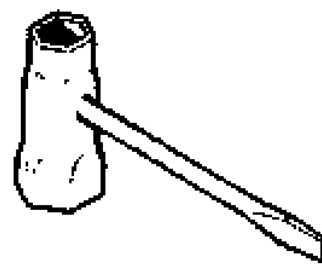
Part No	Description	Remark	QTY KIT
501 22 00-01	BODY CHANNEL SCREEN		1
501 22 01-01	RETAINER RING		1
501 22 02-01	PLUG		1
501 22 03-01	PLUG		1
501 22 04-01	BALL		1
501 22 05-01	SPRING		1
501 22 08-01	GASKET	501 49 48-02 SET OF GASKETS	1
501 22 09-01	DIAPHRAGM	501 49 48-02 SET OF GASKETS	1
501 22 12-01	DIAGRAM	501 49 48-02 SET OF GASKETS	1
501 22 13-01	GASKET	501 49 48-02 SET OF GASKETS	1
501 22 14-01	COVER		1
501 22 15-01	SCREW		1
501 22 17-01	SPRING		1
501 22 20-01	LEVER		1
501 22 21-01	PIN		1
501 22 22-01	SCREW		1
501 22 23-01	NEEDLE		1
501 22 24-01	SCREEN		1
501 22 25-01	SPRING		1
501 22 30-01	SCREW&LOCKWASHER		1
501 22 30-01	SCREW&LOCKWASHER		1
501 22 32-01	PLATE		1
501 26 85-01	SCREW		1
501 26 89-01	SCREW		1
501 26 90-01	SPRING		1
501 42 71-01	SLEEVE		1
501 42 71-01	SLEEVE		1
501 57 61-01	CHOKE SHAFT		1
501 69 69-01	FITTING		1
501 77 79-01	CARBURETTOR		1
501 81 44-01	TROTTELAXEL KPL.		1
501 81 58-01	RECOIL SPRING		1
501 82 17-01	WASHER		1
501 82 18-01	THROTTLE SH."E"RING		1
502 01 22-01	VALVE		1
503 48 63-01	SCREW		1
503 53 36-01	DIAPHRAGM		1

P

**Tillbehör
Accessories
Zubehöre
Accessoires
Accesorios
Pomůcky**



501 22 65-01



501 69 17-01

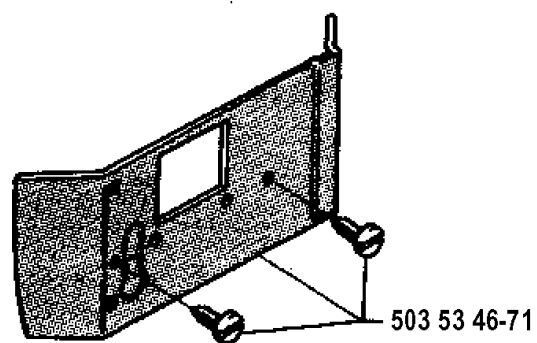
ACCESSORIES

66, 1991-03

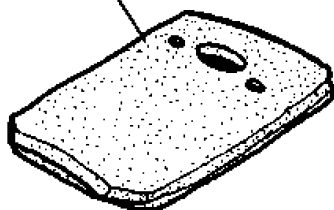
Part No	Description	Remark	QTY KIT
501 22 65-01	SCREWDRIVER		1
501 69 17-01	COMBINATION WRENCH		1

R

Leveras endast som reservdel
Delivery as spare part only
Nur als Ersatzteil lieferbar
Livrabie seulement comme pièce de rechange
Solo como repuesto
Zasílá se jenom jako náhradní díl



503 17 81-01



501 44 45-01

501 44 44-01



ACCESSORIES

66, 1991-03

Part No	Description	Remark	QTY KIT
501 44 44-01	GUIDE PLATE		1
501 44 45-01	GUIDE PLATE		1
503 17 81-01	PREFILTER SOCK		1
503 53 46-71	WINTER COVER		1