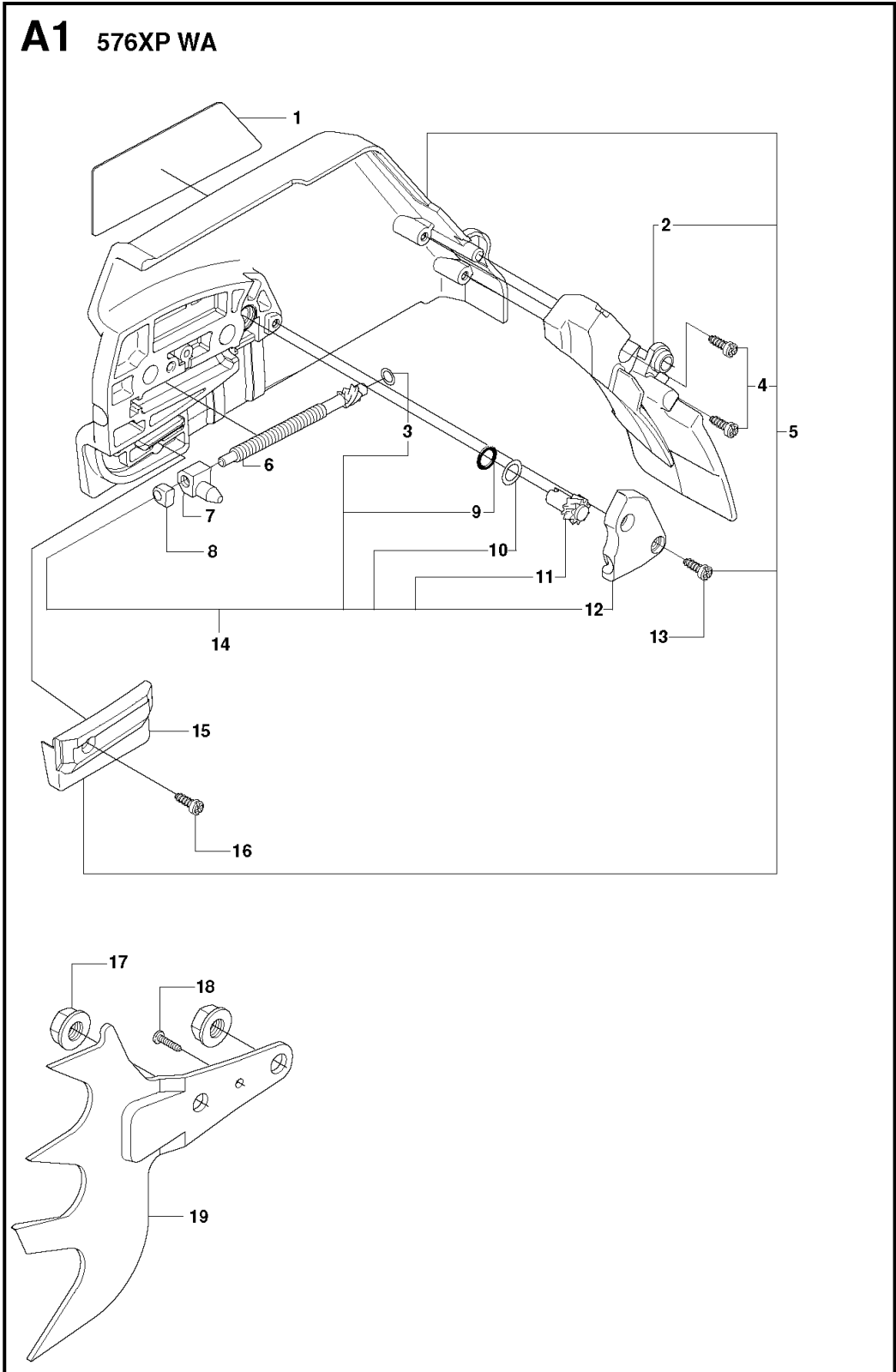




SPARE PARTS LIST

CHAIN SAWS

576 XP, 20090100001-Current

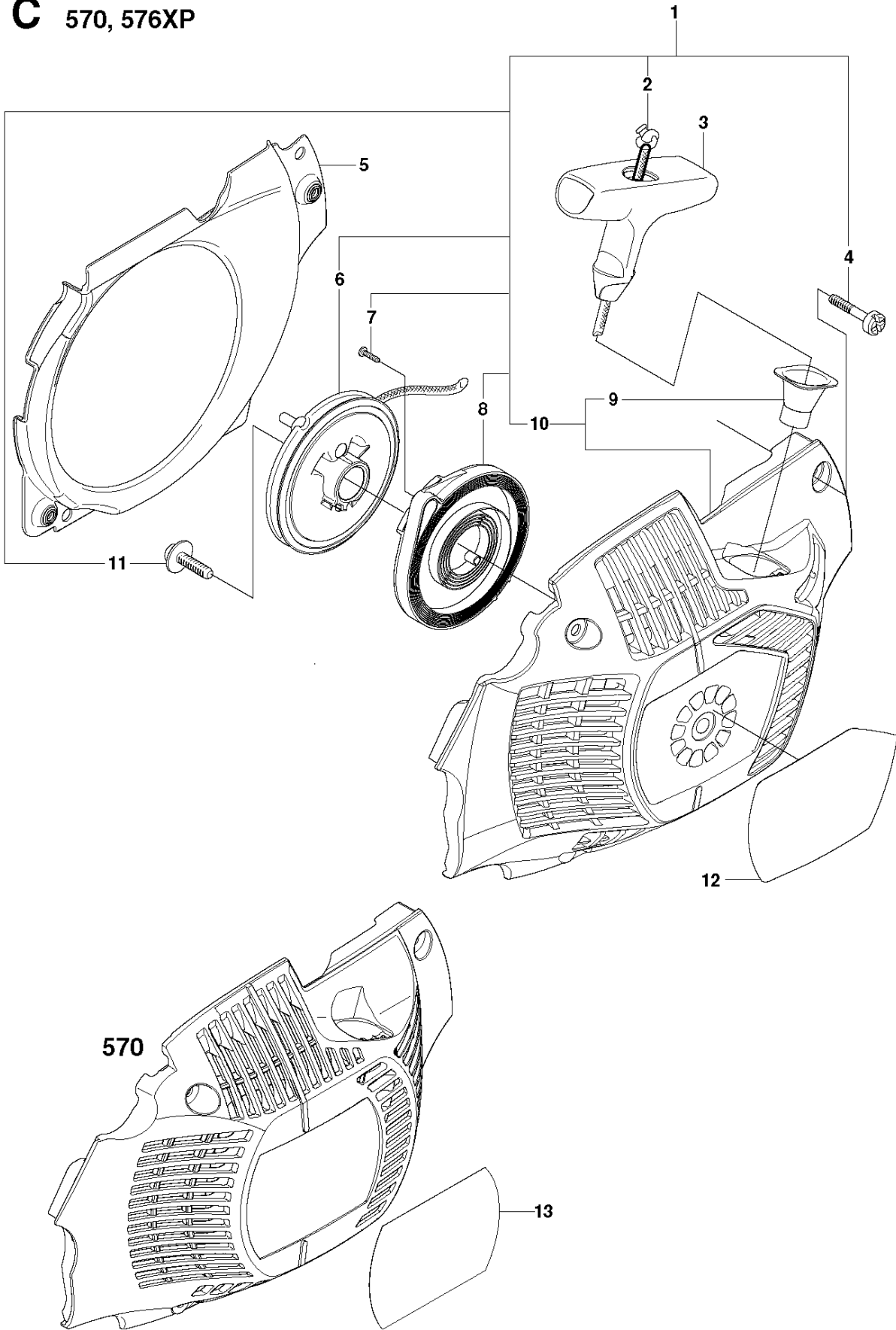


CLUTCH COVER

576 XP, 20090100001-Current

Ref	Part No	Description	Remark	QTY	KIT
1	537 03 38-03	LABEL		1	
2	537 17 41-01	CHIP GUARD		1	537 33 10-05
3	503 23 00-66	WASHER		1	537 04 41-02
4	503 21 28-10	SCREW CCRPANT		1	537 33 10-05
5	537 33 10-05	CLUTCH COVER ASSY	576XPW	1	
6	537 07 95-02	WORM SCREW		1	537 04 41-02
7	503 99 83-01	PAWL		1	537 04 41-02
8	537 01 74-01	BEARING SLEEVE		1	537 04 41-02
9	740 48 07-02	O-RING		1	537 04 41-02
10	503 23 00-63	WASHER		1	537 04 41-02
11	537 07 94-01	WORM WHEEL		1	537 04 41-02
12	537 01 68-01	COVER		1	537 04 41-02
13	503 21 28-10	SCREW CCRPANT		2	537 33 10-05
14	537 04 41-02	CHAIN TENSIONER		1	537 33 10-05
15	537 04 34-01	CHAIN GUIDE		1	537 33 10-05
16	503 21 28-10	SCREW CCRPANT		1	537 33 10-05
17	503 22 00-01	HEXAGON NUT		2	
18	503 21 28-10	SCREW CCRPANT		1	
19	503 92 27-01	SPIKE		1	

C 570, 576XP

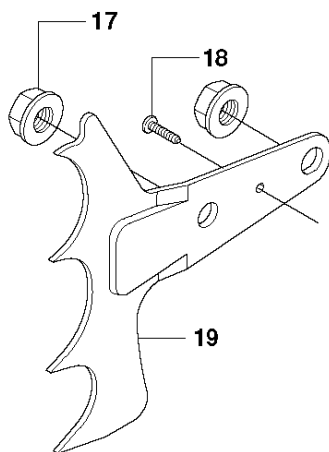
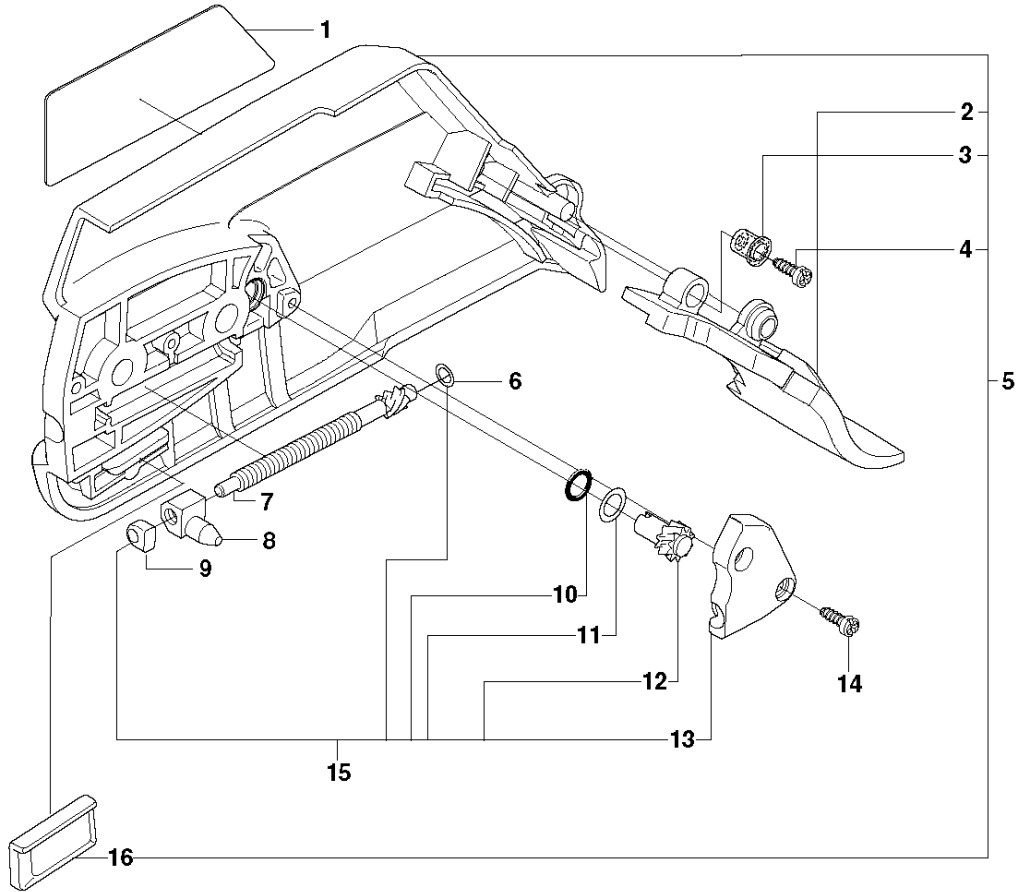


STARTER

576 XP, 20090100001-Current

Ref	Part No	Description	Remark	QTY	KIT
1	504 04 55-02	STARTER ASSY	576XP	1	
1	537 20 29-02	STARTER	570	1	
2	505 30 51-25	STARTER CORD		1	504 04 55-02, 537 20 29-02
3	537 23 25-01	STARTER HANDLE		1	504 04 55-02, 537 20 29-02
4	544 08 03-01	SCREW		4	504 04 55-02, 537 20 29-02
5	537 20 26-01	AIR CONDUCTOR		1	504 04 55-02, 537 20 29-02
6	537 20 24-01	STARTER PULLEY ASSY		1	504 04 55-02, 537 20 29-02
7	503 21 28-13	SCREW CCRPANT		2	504 04 55-02, 537 20 29-02
8	537 28 34-01	SPRING CASSETTE ASSY		1	504 04 55-02, 537 20 29-02
9	537 28 32-01	SLEEVE		1	504 04 55-02, 537 20 29-02
10	504 04 54-01	STARTER HOUSING	576XP	1	504 04 55-02
10	537 20 23-01	STARTER HOUSING	570	1	537 20 29-02
11	503 20 52-16	SCREW IHSCT		1	504 04 55-02, 537 20 29-02
12	504 09 41-01	LABEL	576XP	1	
12	504 09 41-02	LABEL	576XPG	1	
13	537 21 21-02	LABEL	570	1	

A2 570, 576XP

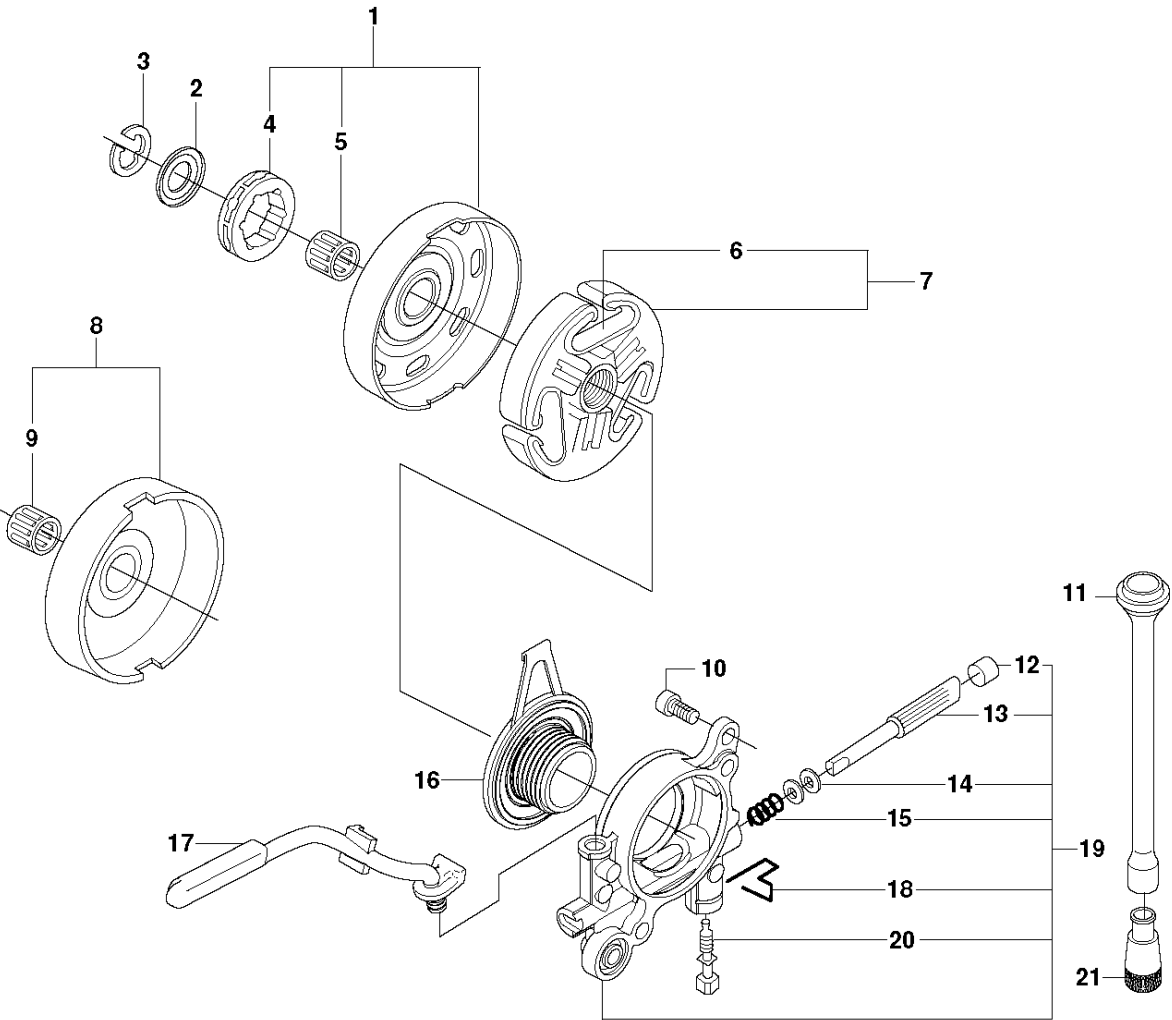


CLUTCH COVER

576 XP, 20090100001-Current

Ref	Part No	Description	Remark	QTY	KIT
1	537 03 38-03	LABEL		1	
2	503 76 29-02	CHIP GUARD		1	537 03 35-01, 537 03 35-04
3	503 89 70-01	SLEEVE		1	537 03 35-01, 537 03 35-04
4	503 21 28-10	SCREW CCRPANT		1	537 03 35-01, 537 03 35-04
5	537 03 35-01	CLUTCH COVER ASSY	570 Orange	1	
5	537 03 35-04	CLUTCH COVER ASSY	576XP Silver	1	
6	503 23 00-66	WASHER		1	537 04 41-02
7	537 07 95-01	WORM SCREW		1	537 04 41-02
8	503 99 83-01	PAWL		1	537 04 41-02
9	537 01 74-01	BEARING SLEEVE		1	537 04 41-02
10	740 48 07-02	O-RING		1	537 04 41-02
11	503 23 00-63	WASHER		1	537 04 41-02
12	537 07 94-01	WORM WHEEL		1	537 04 41-02
13	537 01 68-01	COVER		1	537 04 41-02
14	503 21 28-10	SCREW CCRPANT		2	537 03 35-01, 537 03 35-04
15	537 04 41-02	CHAIN TENSIONER		1	537 03 35-01, 537 03 35-04
16	501 51 72-01	CHAIN GUIDE		1	537 03 35-01, 537 03 35-04
17	503 22 00-01	HEXAGON NUT		2	
18	503 21 28-10	SCREW CCRPANT		1	
19	503 71 97-01	SPIKE		1	

B 570, 576XP

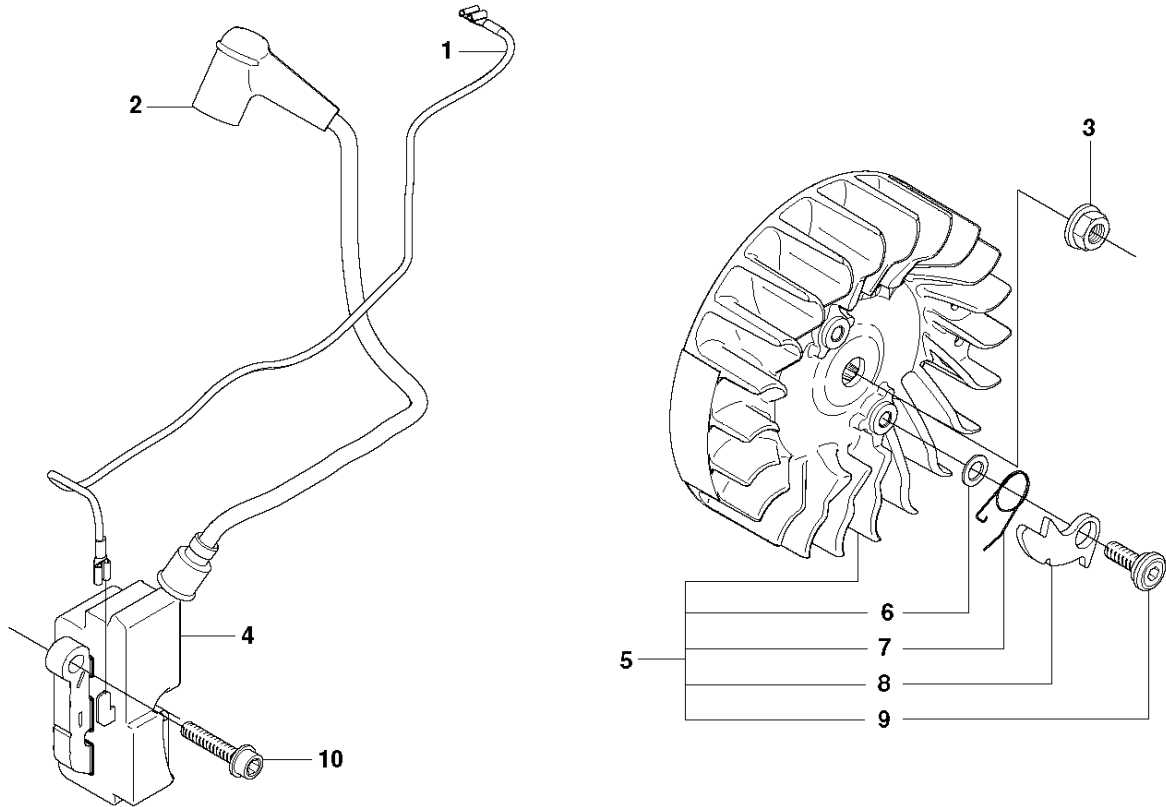


CLUTCH & OIL PUMP

576 XP, 20090100001-Current

Ref	Part No	Description	Remark	QTY	KIT
1	502 44 04-02	CLUTCH DRUM	3/8 x 7T	1	
1	502 44 04-03	CLUTCH DRUM	3/8 x 8T	1	
2	503 75 24-01	WASHER		1	
3	503 27 21-01	E-CLIP		1	
4	501 59 80-02	RIM	3/8 x 7T	1	502 44 04-02
4	505 30 36-61	RIM	3/8 x 8T	1	502 44 04-03
5	503 43 20-01	NEEDLE HOLDER		1	502 44 04-02, 502 44 04-03
6	537 36 06-01	CLUTCH SPRING		3	503 74 44-05
7	503 74 44-05	CLUTCH ASSY		1	
8	503 86 17-03	CLUTCH DRUM ASSY		1	
9	503 43 20-01	NEEDLE HOLDER		1	503 86 17-03
10	503 20 53-01	SCREW IHSCM		2	
11	501 89 53-01	OIL HOSE		1	
12	503 62 49-01	SEALING PLUG		1	503 52 13-03
13	503 52 15-01	PUMP PISTON		1	503 52 13-03
14	503 23 00-04	WASHER		2	503 52 13-03
15	501 61 58-01	SPRING		1	503 52 13-03
16	537 20 78-04	PUMP PINION		1	
17	537 20 91-01	OIL PRESSURE HOSE		1	
18	503 81 30-01	SPRING		1	503 52 13-03
19	503 52 13-03	OIL PUMP ASSY		1	
20	503 81 13-01	SCREW		1	503 52 13-03
21	501 54 41-02	OIL SCREEN		1	

D 570, 576XP

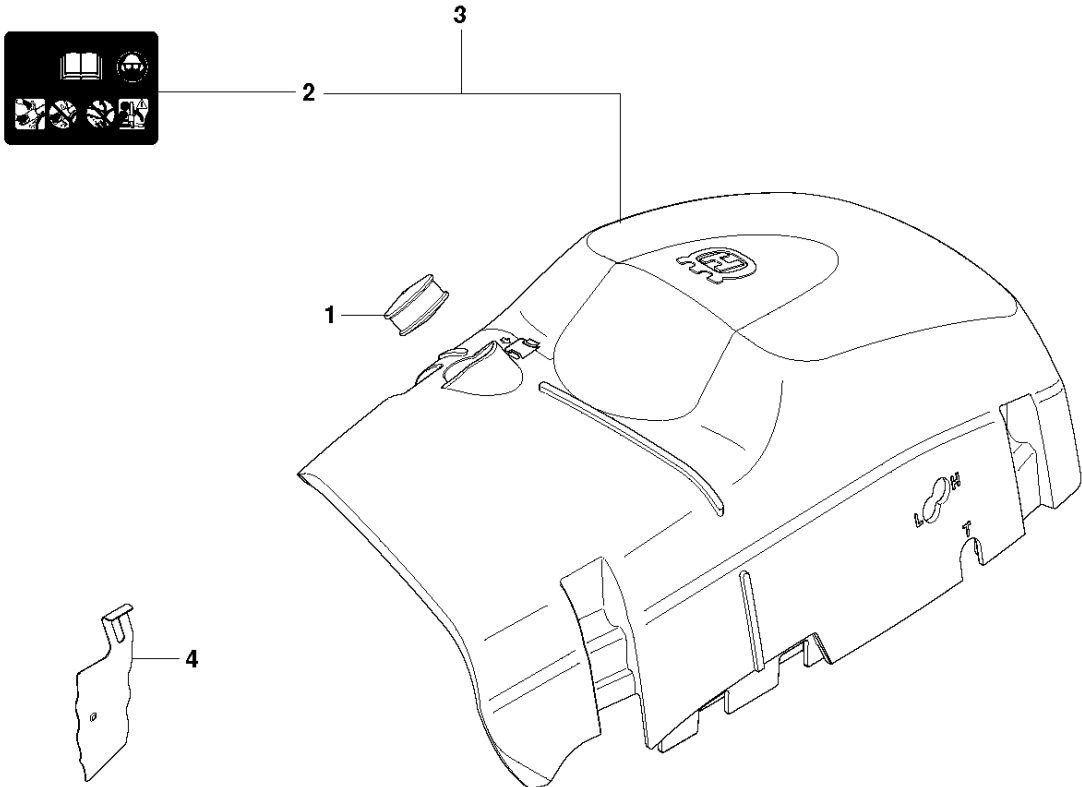


IGNITION SYSTEM

576 XP, 20090100001-Current

Ref	Part No	Description	Remark	QTY	KIT
1	537 20 86-01	SHORT CIRCUIT CABLE		1	
2	501 48 54-02	SPARK PLUG CAP		1	
3	503 22 04-01	NUT		1	
4	510 11 57-01	IGNITION MODULE	COT	1	
5	537 20 96-01	FLYWHEEL ASSY		1	
6	503 23 00-42	WASHER		2	537 20 96-01
7	501 67 35-01	SPRING		2	537 20 96-01
8	501 67 32-01	PAWL		2	537 20 96-01
9	501 81 99-01	SCREW		2	537 20 96-01
10	503 20 02-20	SCREW IHSCFM		2	

E1 570, 576XP

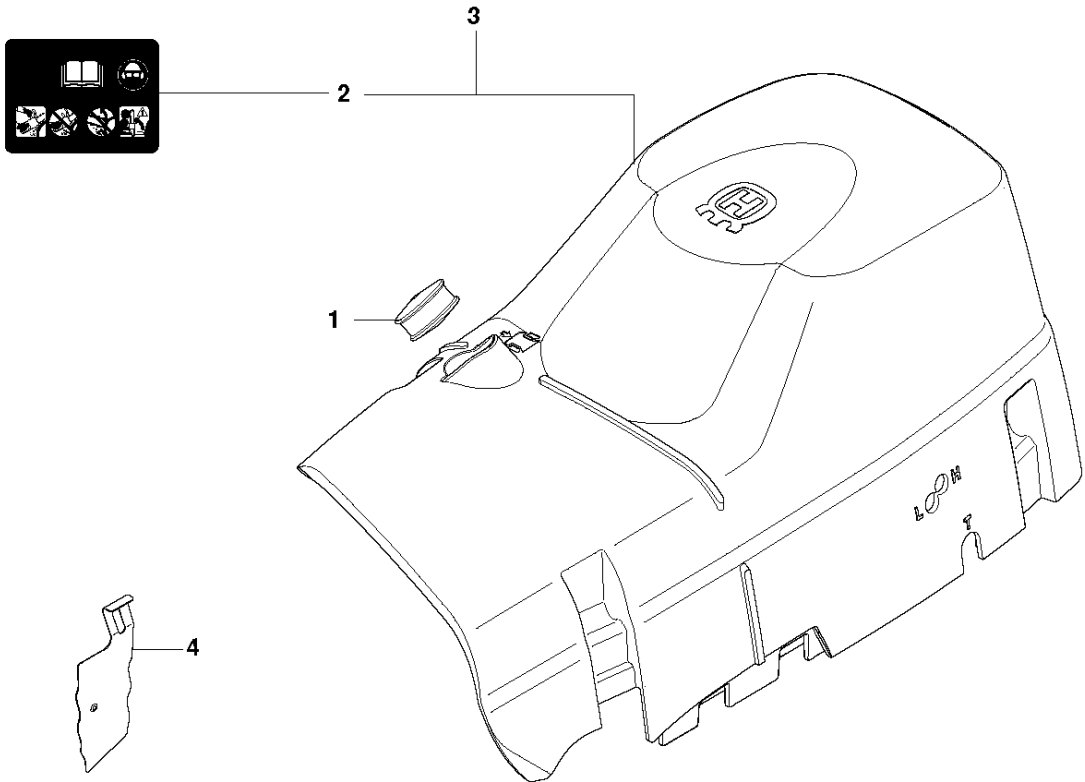


CYLINDER COVER

576 XP, 20090100001-Current

Ref	Part No	Description	Remark	QTY	KIT
1	537 20 71-01	PLUG		1	
2	503 98 74-01	LABEL		1	537 21 25-01
3	537 21 25-01	CYLINDER COVER		1	
4	537 21 05-01	WINTER COVER		1	

E2 576XP

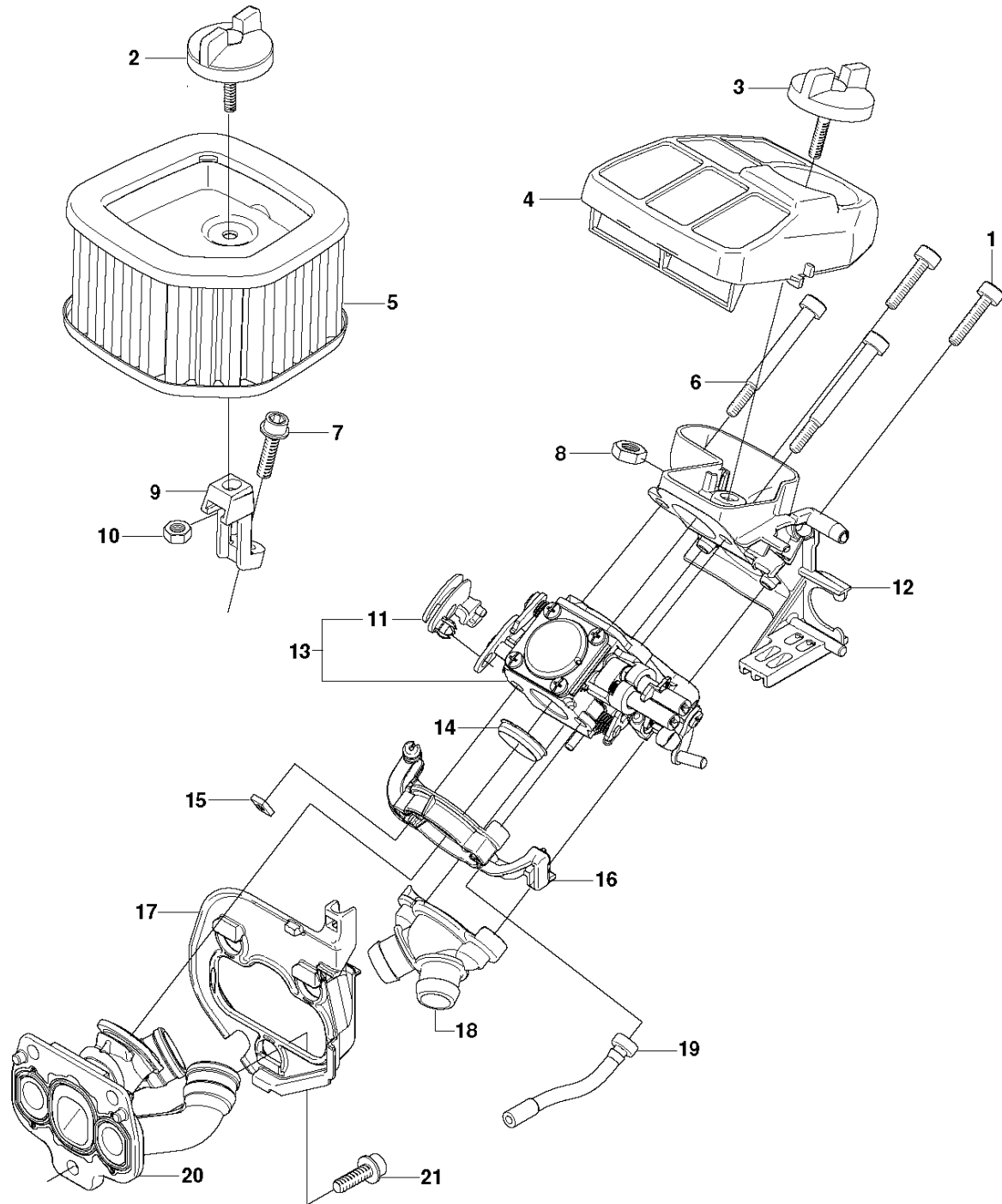


CYLINDER COVER

576 XP, 20090100001-Current

Ref	Part No	Description	Remark	QTY	KIT
1	537 20 71-01	PLUG		1	
2	503 98 74-01	LABEL		1	537 21 25-02
3	537 21 25-02	CYLINDER COVER		1	
4	537 21 05-01	WINTER COVER		1	

F 570, 576XP

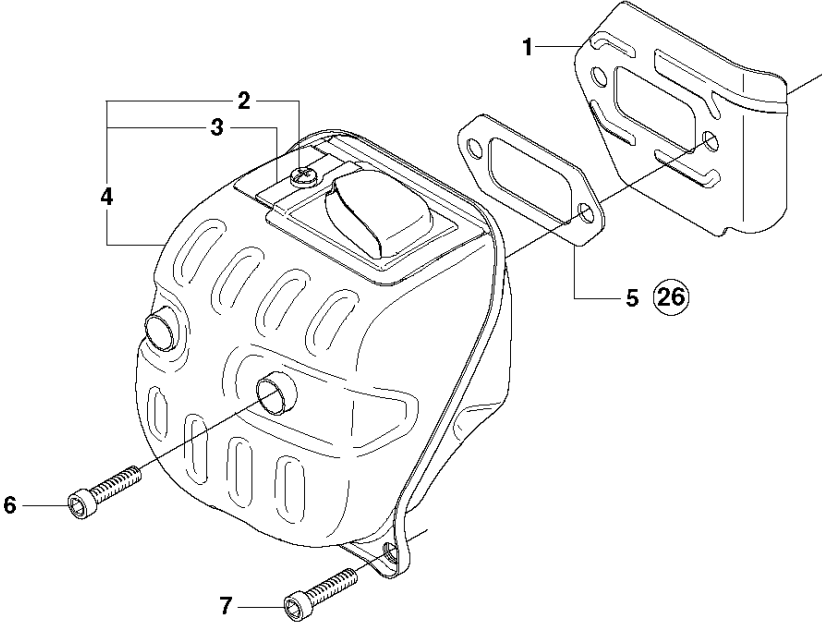


CARBURETOR & AIR FILTER

576 XP, 20090100001-Current

Ref	Part No	Description	Remark	QTY	KIT
1	503 20 25-20	SCREW IHSCM		2	
2	537 21 32-01	KNOB		1	
3	537 21 32-01	KNOB		1	
4	537 20 66-01	AIR FILTER ASSY	80 My	1	
4	537 20 66-02	AIR FILTER ASSY	44 My	1	
4	537 20 66-03	AIR FILTER ASSY	Felt	1	
5	537 20 75-01	AIR FILTER	Felt	1	
5	537 20 75-02	AIR FILTER	80 My	1	
5	537 20 75-03	AIR FILTER	44 My	1	
6	503 20 39-01	SCREW IHSCM		2	
7	503 21 26-16	SCREW IHPANM		1	
8	731 23 14-01	HEXAGON NUT		1	537 20 50-01
9	537 21 04-01	ADAPTER		1	
10	731 23 14-01	HEXAGON NUT		1	537 21 04-01
11	537 21 37-01	LEVER		1	544 19 98-01
12	537 20 50-01	FILTER HOLDER		1	
13	544 19 98-01	CARBURETTOR		1	
14	537 20 46-01	SUPPORT SLEEVE		1	
15	503 22 65-03	SQUARE NUT		2	537 20 45-01
16	537 20 45-01	FLANGE		2	
17	537 20 47-01	INSULATION WALL		1	
18	537 20 49-01	FLANGE		1	
19	537 20 37-01	IMPULSE HOSE		1	
20	537 20 43-01	INLET PIPE		1	
21	503 20 02-16	SCREW IHSCFM		3	

G 570, 576XP

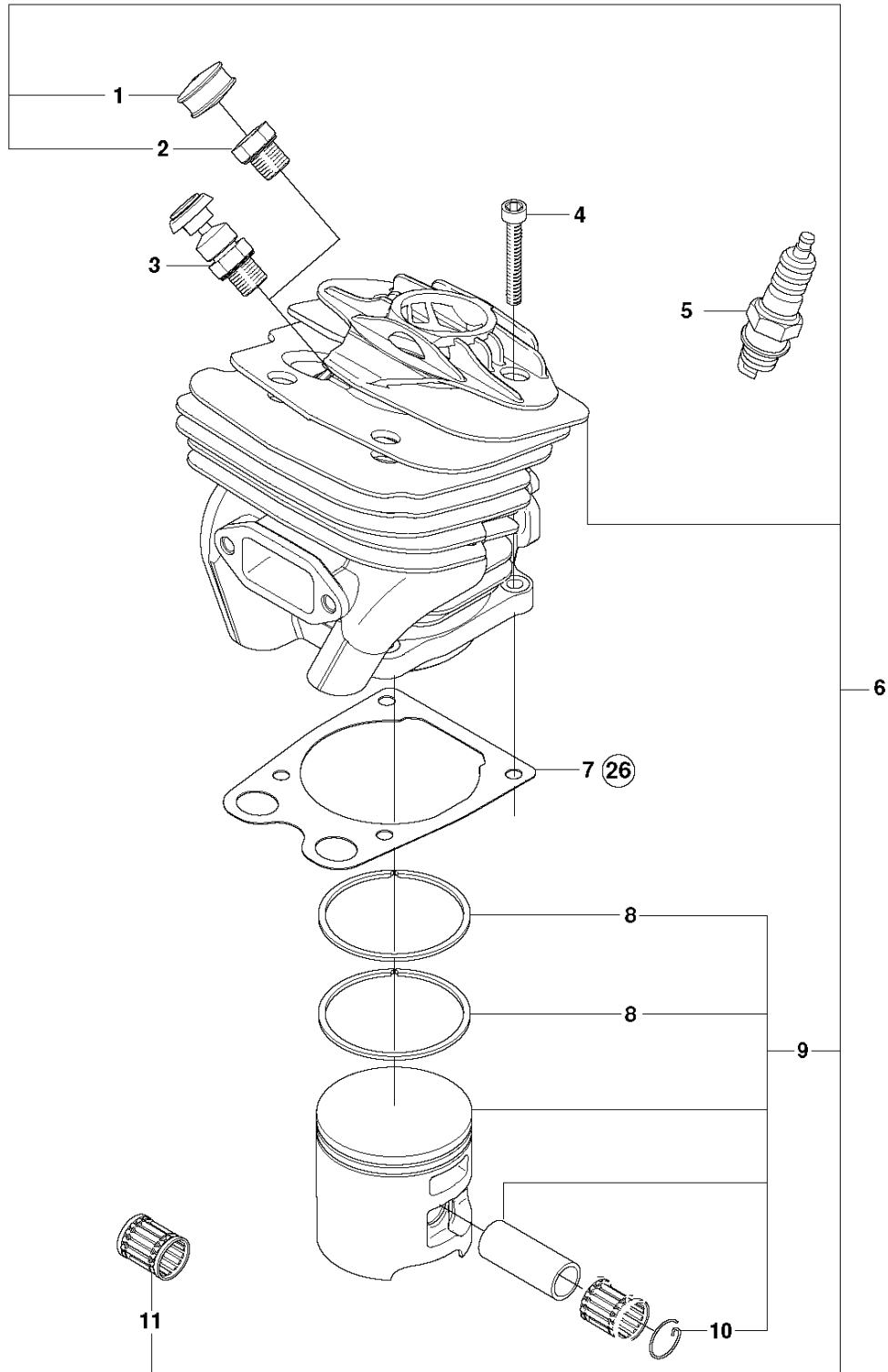


MUFFLER

576 XP, 20090100001-Current

Ref	Part No	Description	Remark	QTY	KIT
1	537 21 06-01	HEAT DEFLECTOR		1	
2	724 12 87-59	SCREW CRPANM		1	544 03 02-01, 544 03 02-02
3	503 76 64-02	SPARK ARRESTER SCREEN		1	544 03 02-01, 544 03 02-02
4	544 03 02-01	MUFFLER ASSY	FF CE	1	
4	544 03 02-02	MUFFLER ASSY	DF US	1	
5	537 20 82-01	GASKET		1	537 21 26-01, 537 21 26-02
6	725 53 70-55	SCREW IHSCM		2	
7	503 20 73-20	SCREW IHSCM		2	
26	537 21 26-01	GASKET KIT	570	1	
26	537 21 26-02	GASKET KIT	576XP	1	

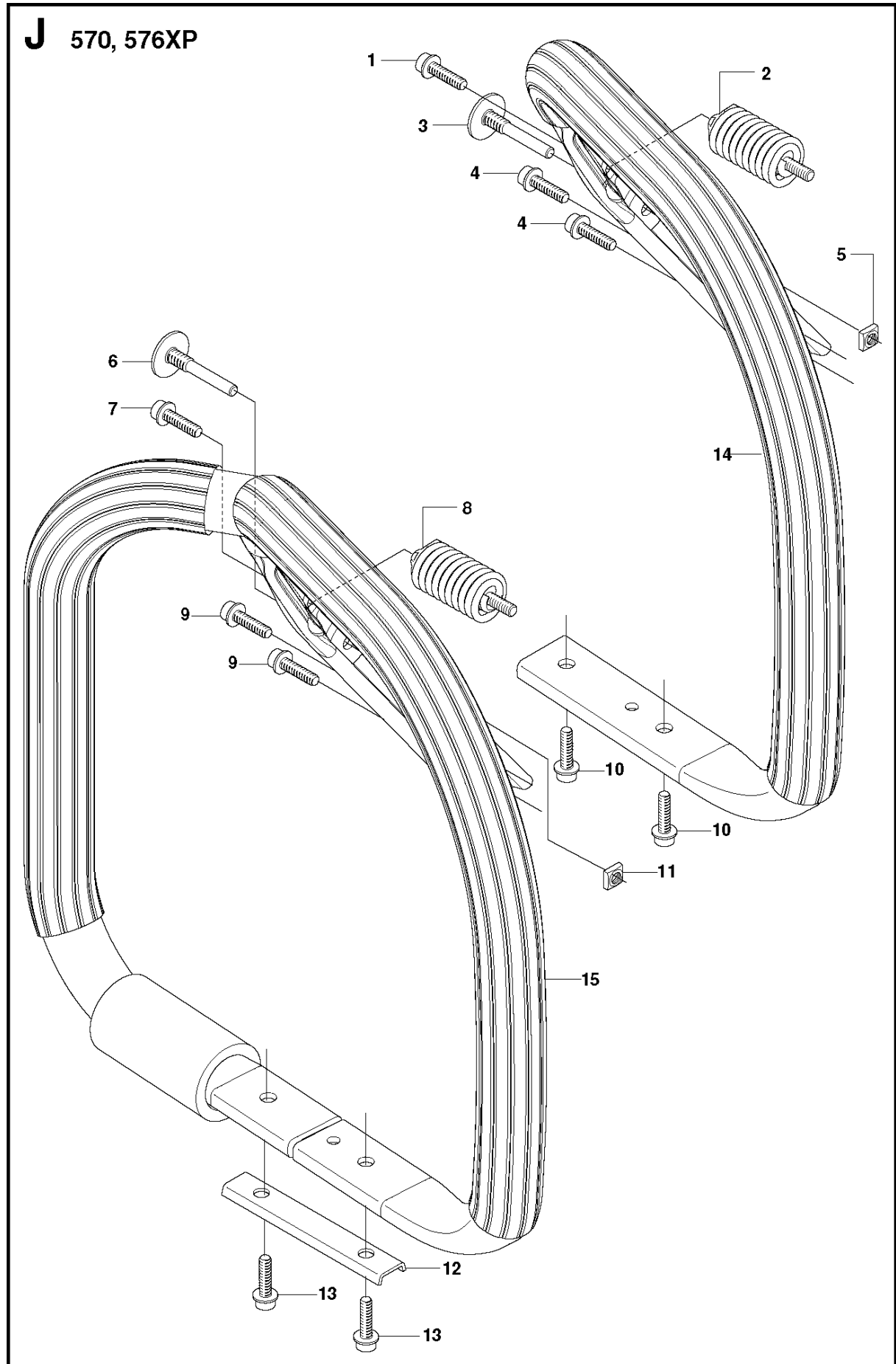
H2 576XP



CYLINDER PISTON

576 XP, 20090100001-Current

Ref	Part No	Description	Remark	QTY	KIT
1	537 20 71-01	PLUG		1	544 36 74-02
2	503 55 22-01	PLUG		1	544 36 74-02
3	537 29 44-01	DECOMPRESSION VALVE		1	
4	725 53 33-55	SCREW IHSCM		4	
5	503 23 51-11	SPARK PLUG		1	
6	544 36 74-02	CYLINDER ASSY	576XP	1	
7	544 98 15-01	GASKET		1	537 21 26-02
8	503 28 90-47	PISTON RING		2	544 36 74-02, 537 25 43-02
9	537 25 43-02	PISTON ASSY		1	544 36 74-02
10	737 43 12-00	SNAP RING		2	544 36 74-02, 537 25 43-02
11	503 25 56-01	NEEDLE BEARING		1	544 36 74-02
26	537 21 26-02	GASKET KIT		1	

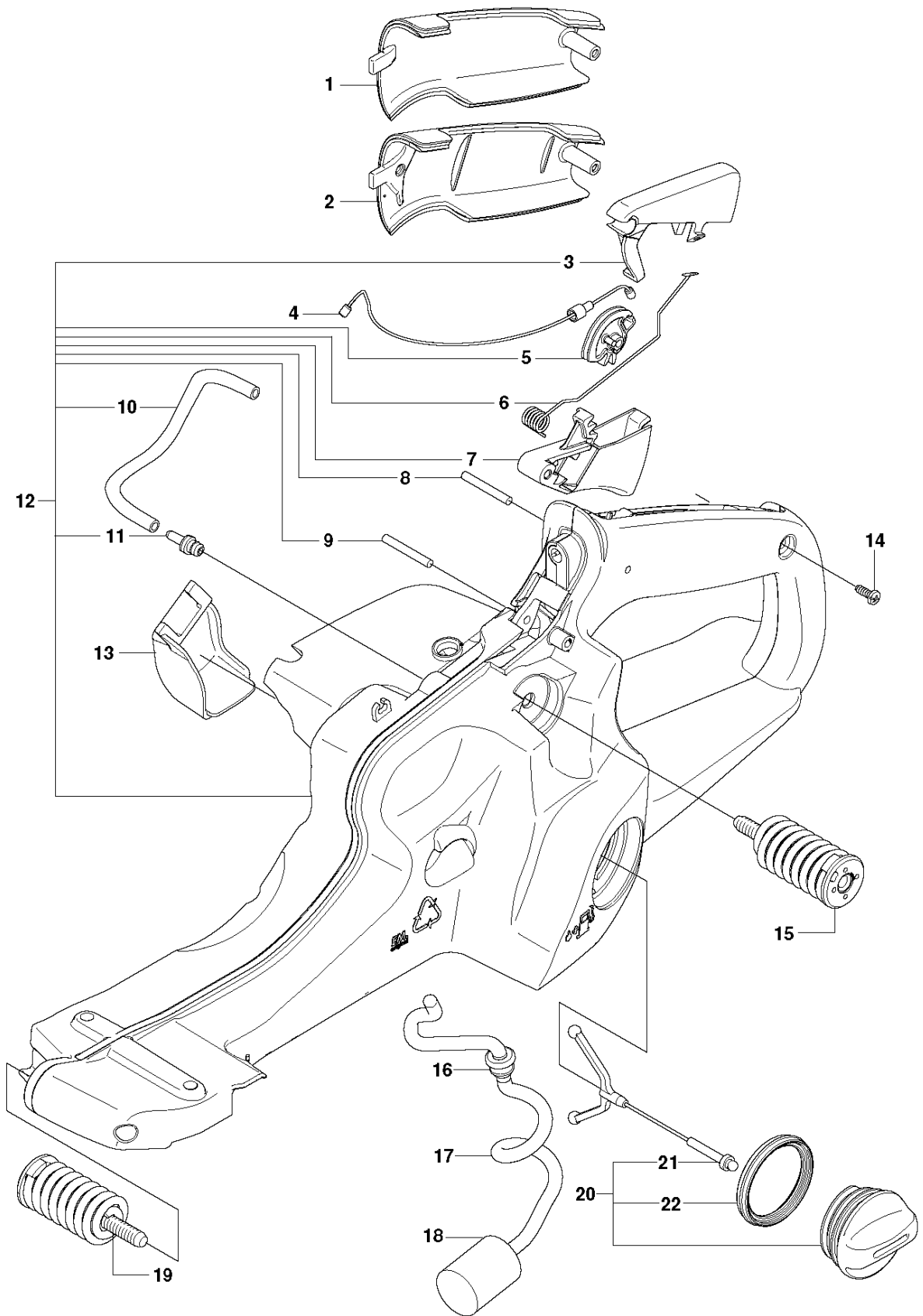


HANDLE

576 XP, 20090100001-Current

Ref	Part No	Description	Remark	QTY	KIT
1	503 21 88-74	SCREW IHST		1	
2	503 63 75-02	ANTIVIBRATION ELEMENT		1	
3	503 20 47-01	SCREW IHPANM		1	537 20 59-01, 537 20 59-03
4	503 21 88-74	SCREW IHST		2	
5	503 22 66-01	SQUARE NUT		1	537 20 59-01, 537 20 59-03
6	503 20 47-01	SCREW IHPANM		1	537 20 89-01
7	503 21 88-74	SCREW IHST		1	
8	503 63 75-02	ANTIVIBRATION ELEMENT		1	
9	503 21 88-74	SCREW IHST		2	
10	503 21 88-74	SCREW IHST		2	
11	503 22 66-01	SQUARE NUT		1	537 20 89-01
12	537 03 73-01	REINFORCING PLATE		1	
13	503 21 88-74	SCREW IHST		2	
14	537 20 59-01	FRONT HANDLE ASSY	compl. 570 29mm	1	
14	537 20 59-03	FRONT HANDLE ASSY	compl. 576XP 27mm	1	
15	537 20 89-01	HANDLE	compl. 576 WA	1	

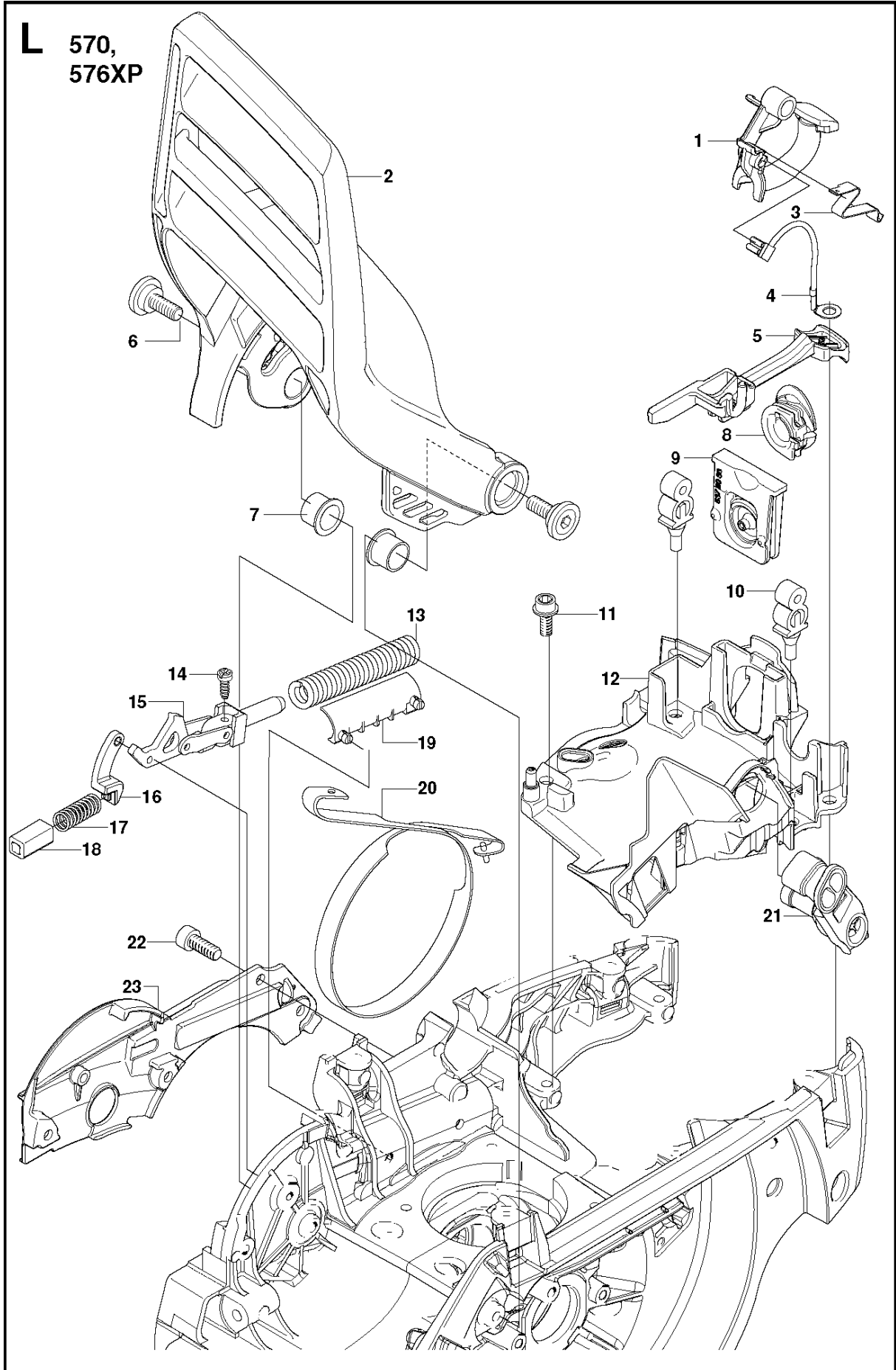
K 570, 576XP



FUEL TANK

576 XP, 20090100001-Current

Ref	Part No	Description	Remark	QTY	KIT
1	537 20 55-01	COVER	570	1	
2	537 20 56-01	COVER	576XP	1	
3	537 20 84-01	THROTTLE LOCKOUT		1	537 21 35-04
4	537 21 11-01	THROTTLE CABLE		1	
5	537 20 85-01	LEVER		1	537 21 35-04
6	537 20 98-01	SPRING		1	537 21 35-04
7	537 20 83-01	THROTTLE TRIGGER		1	537 21 35-04
8	720 12 40-20	PARALLEL PIN		1	537 21 35-04
9	720 12 40-20	PARALLEL PIN		1	537 21 35-04
10	544 32 49-06	FUEL HOSE		1	537 21 35-04
11	537 35 95-01	TANK VENT ASSY		1	537 21 35-04
12	537 21 35-04	FUEL TANK		1	
13	537 20 57-01	COVER		1	
14	503 21 28-10	SCREW CCRPANT		1	
15	537 21 03-01	ANTIVIBRATION ELEMENT	Std	1	
15	537 21 03-02	ANTIVIBRATION ELEMENT	Hard	1	
16	503 73 58-01	BUSHING		1	
17	544 32 50-02	FUEL HOSE		1	
18	503 44 32-01	FUEL FILTER		1	
19	537 21 03-03	ANTIVIBRATION ELEMENT	Std	1	
19	537 21 03-04	ANTIVIBRATION ELEMENT	Hard	1	
20	537 21 52-02	TANK CAP ASSY		1	
21	503 57 89-01	HOLDER		1	537 21 52-02
22	537 21 50-01	SEALING		1	537 21 52-02

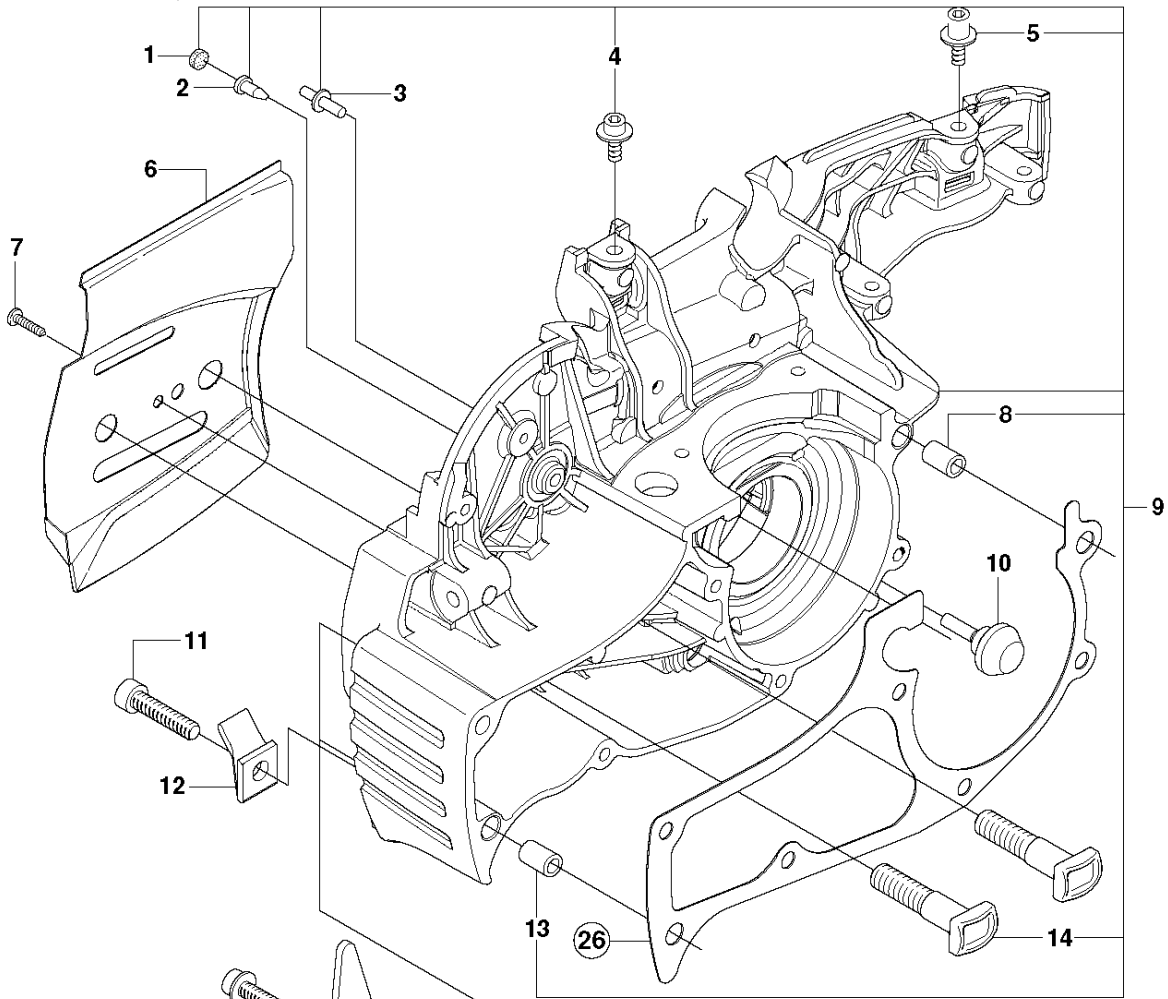


CHAIN BRAKE

576 XP, 20090100001-Current

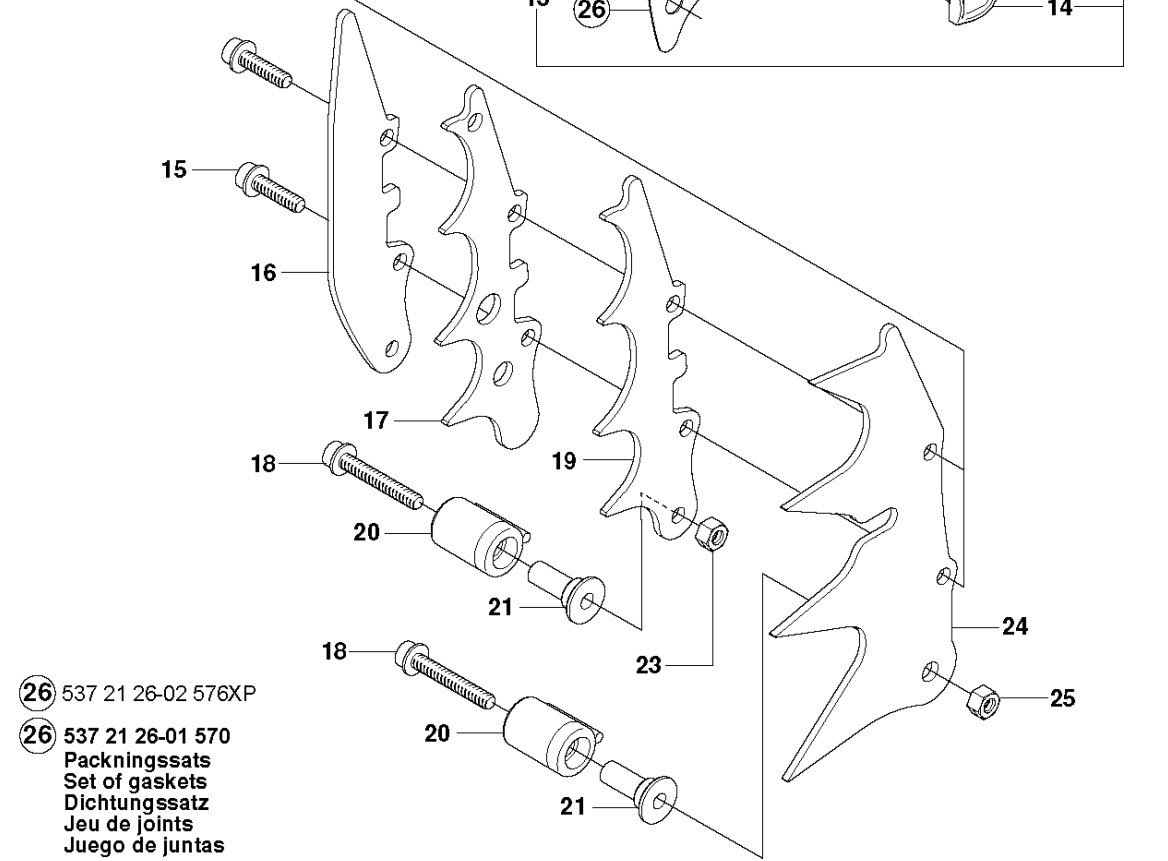
Ref	Part No	Description	Remark	QTY KIT
1	537 20 51-01	STOP SWITCH		1
2	537 20 27-01	HAND GUARD ASSY		1
3	503 86 97-02	SPRING		1
4	537 20 87-01	GROUND CABLE		1
5	537 20 52-01	CHOKE CONTROL		1
6	537 20 90-01	SCREW		2
7	537 20 28-01	BUSHING		2
8	537 20 53-01	SEALING		1
9	537 20 38-01	GROMMET		1
10	503 86 93-01	SUPPORT		2
11	503 20 07-12	SCREW IHSCFM		4
12	537 20 35-01	CARBURETTOR		1
13	503 70 99-01	BRAKE SPRING		1
14	503 21 28-10	SCREW CCRPANT		1
15	501 87 53-04	KNEE JOINT		1
16	537 20 31-01	LOCK		1
17	503 43 65-01	POSITION SPRING		1
18	537 21 07-01	SPRING GUIDE		1
19	503 79 27-01	SUPPORT		1
20	503 75 22-02	BRAKE BAND ASSY		1
21	537 20 36-01	GUIDE BUSHING		1
22	503 21 70-72	SCREW CCRPANT		4
23	537 20 32-01	HUB CAP		1

M1 570, 576XP



(26) 537 21 26-02 576XP

(26) 537 21 26-01 570
 Packningssats
 Set of gaskets
 Dichtungssatz
 Jeu de joints
 Juego de juntas

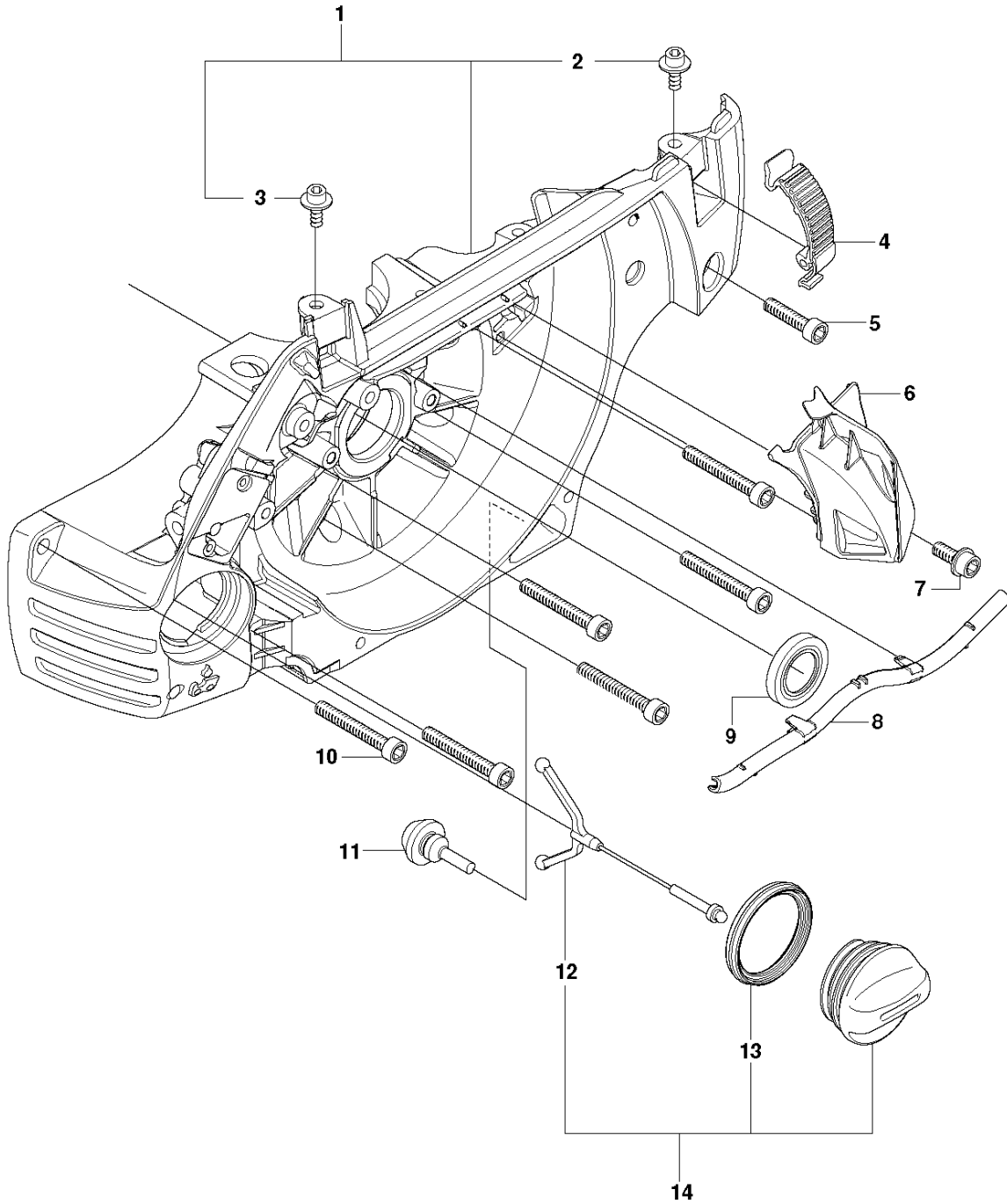


CRANKCASE

576 XP, 20090100001-Current

Ref	Part No	Description	Remark	QTY	KIT
1	537 40 35-01	FILTER		1	537 20 93-04, 544 89 66-02
2	530 02 61-19	CHECK VALVE		1	537 20 93-04, 544 89 66-02
3	537 20 30-01	PIN KNEE-JOINT		1	537 20 93-04, 544 89 66-02
4	505 11 15-01	SCREW IHSCM		1	537 20 93-04, 544 89 66-02
5	505 11 15-01	SCREW IHSCM		1	537 20 93-04, 544 89 66-02
6	537 01 37-02	CHAIN GUIDE PLATE		1	
7	503 21 28-10	SCREW CCRPANT		1	
8	501 27 08-01	GUIDE BUSHING		1	537 20 93-04, 544 89 66-02
9	537 20 93-04	CRANKCASE ASSY	570	1	
9	544 89 66-02	CRANKCASE ASSY	576XP	1	
10	503 84 61-01	BUFFER		1	
11	503 20 73-20	SCREW IHSCM		1	
12	537 37 79-01	CHAIN CATCHER		1	
13	501 27 08-01	GUIDE BUSHING		1	537 20 93-04, 544 89 66-02
14	537 05 13-01	BAR BOLT		2	537 20 93-04, 544 89 66-02
15	503 21 26-16	SCREW IH PANM		2	
16	537 04 29-01	BUMPER		1	
17	503 64 79-02	SPIKE		1	
18	503 20 74-30	SCREW IHSCFM		1	
18	503 20 07-80	SCREW IHSCFM		1	
19	537 01 71-01	SPIKE		1	
20	537 02 44-01	WEAR PROTECTION		1	
21	537 08 92-01	CHAIN CATCHER		1	
23	503 22 24-01	LOCK NUT		1	
24	537 01 72-01	SPIKE		1	
25	503 22 24-01	LOCK NUT		1	
26	537 21 26-01	GASKET KIT	570	1	
26	537 21 26-02	GASKET KIT	576XP	1	

M2 570, 576XP

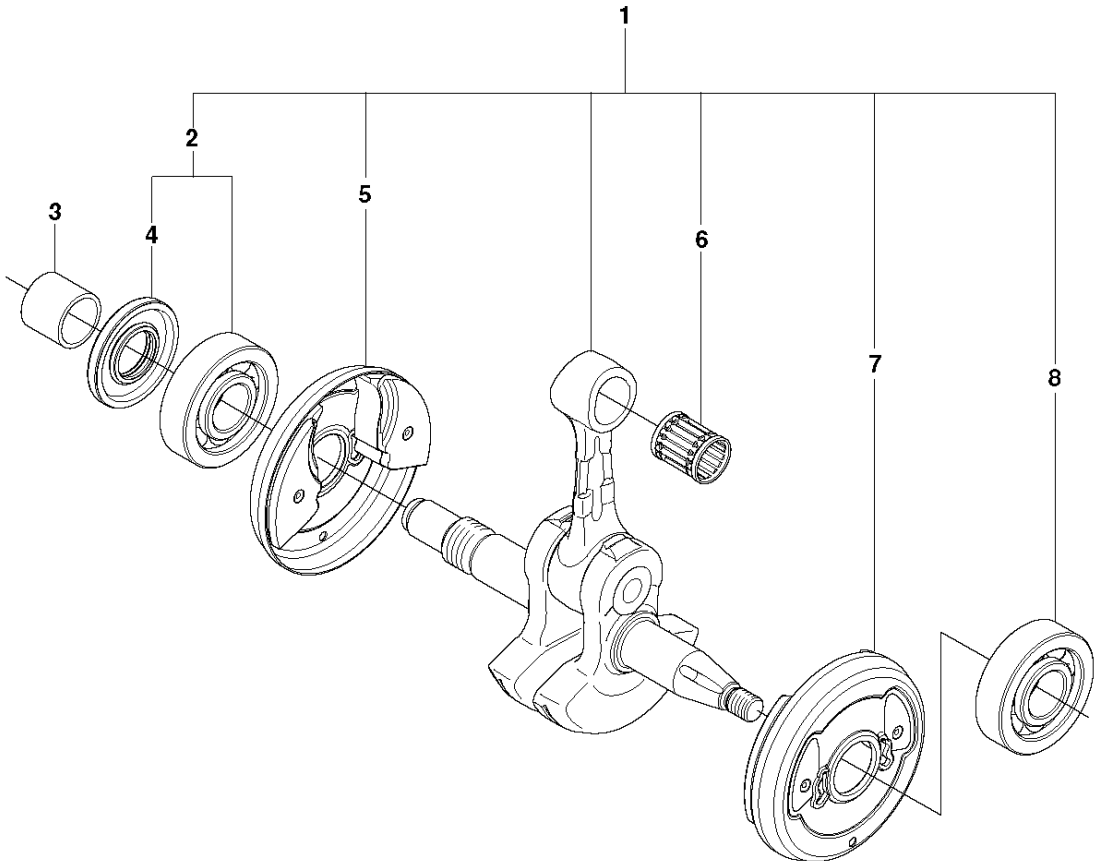


CRANKCASE

576 XP, 20090100001-Current

Ref	Part No	Description	Remark	QTY	KIT
1	537 20 93-04	CRANKCASE ASSY	570	1	
1	544 89 66-02	CRANKCASE ASSY	576XP	1	
2	505 11 15-01	SCREW IHSCM		1	537 20 93-04, 544 89 66-02
3	505 11 15-01	SCREW IHSCM		1	537 20 93-04, 544 89 66-02
4	503 89 47-01	SNAP LOCKING	Orange	4	
4	503 89 47-03	SNAP LOCKING	Grey	4	
5	503 20 73-20	SCREW IHSCM		1	
6	537 20 92-01	AIR NOZZLE		1	
7	503 20 07-12	SCREW IHSCFM		1	
8	537 20 39-01	CABLE HOLDER		1	
9	505 27 57-19	SEALING RING	570	1	
9	505 48 68-01	RADIAL SEAL	576XP	1	
10	503 20 08-70	SCREW IHSCM		6	
11	503 84 61-01	BUFFER		1	
12	503 57 89-01	HOLDER		1	537 21 52-02
13	537 21 50-01	SEALING		1	537 21 52-02
14	537 21 52-02	TANK CAP ASSY		1	

N 570, 576XP



CRANKSHAFT

576 XP, 20090100001-Current

Ref	Part No	Description	Remark	QTY	KIT
1	537 30 61-03	CRANKSHAFT ASSY	570	1	
1	505 12 19-01	CRANKSHAFT ASSY	576XP		
2	505 41 60-01	BALL BEARING		1	505 12 19-01
3	537 20 58-01	SLEEVE		1	
4	505 41 61-01	RADIAL SEAL		1	5054160 -01,5051 219- 01,5373 061-03
5	537 20 33-01	CUP		1	505 12 19-01, 537 30 61-03
6	503 25 56-01	NEEDLE BEARING		1	505 12 19-01, 537 30 61-03
7	537 20 33-01	CUP		1	505 12 19-01, 537 30 61-03
8	738 22 02-25	BALL BEARING	570	1	537 30 61-03
8	505 48 67-02	BALL BEARING	576XP	1	505 12 19-01

CARBURETOR DETAILS

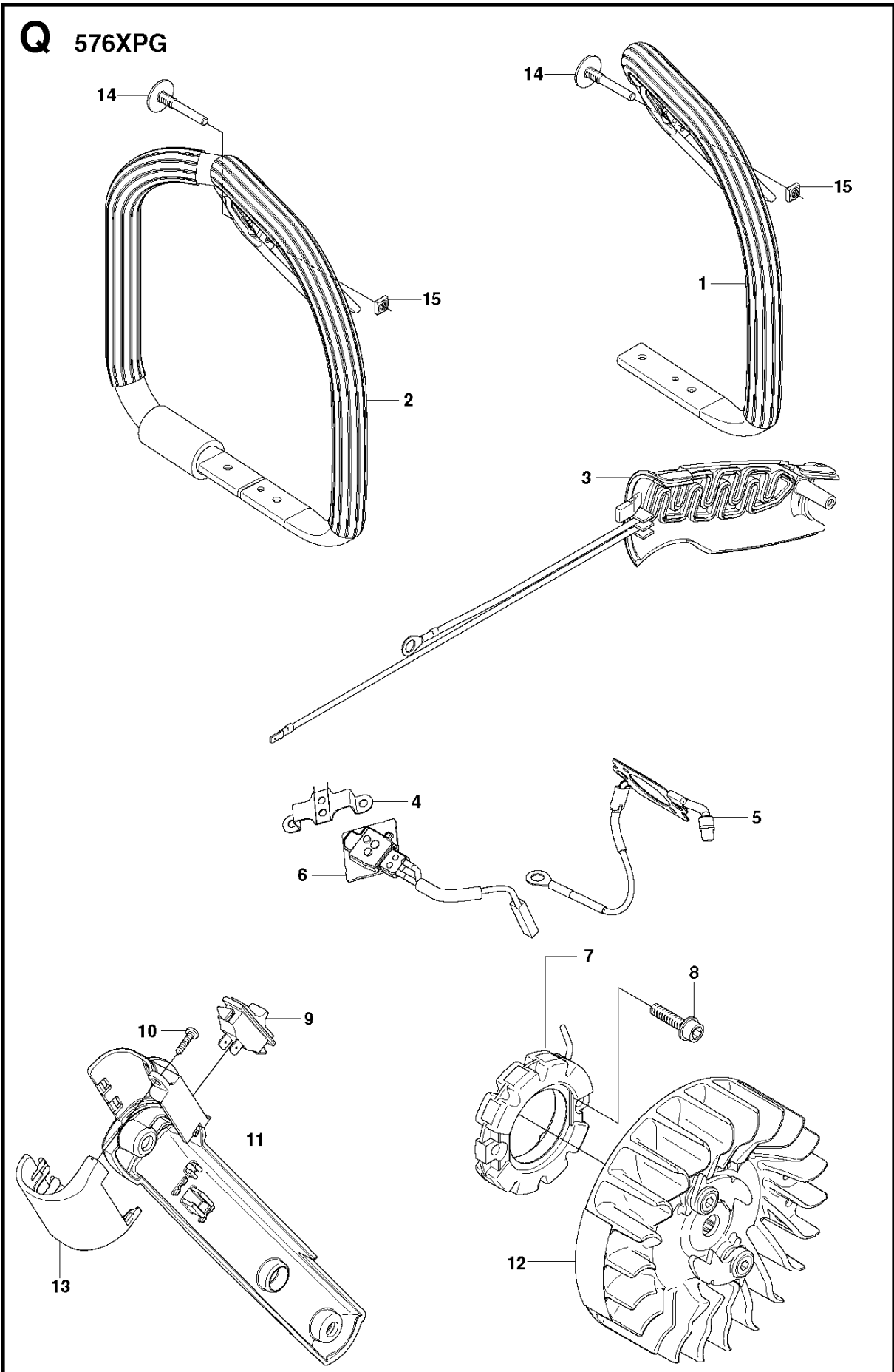
576 XP, 20090100001-Current

Ref	Part No	Description	Remark	QTY	KIT
1	503 48 05-01	SCREW		4	544 19 98-01
2	537 38 37-01	COVER		1	544 19 98-01
3	537 38 35-01	DIAPHRAGM		1	544 19 98-01, 537 38 56-01
4	537 38 36-01	GASKET		1	544 19 98-01, 537 38 56-01
5	503 48 18-01	SCREW		1	544 19 98-01
6	537 26 68-01	VALVE		1	544 19 98-01
7	503 48 00-01	PIN RETAINING SCREW		1	544 19 98-01
8	503 47 97-01	VALVE		1	544 19 98-01
9	503 48 01-01	SCREW		1	544 19 98-01
10	503 66 59-01	LEVER		1	544 19 98-01
11	544 23 78-01	SHAFT		1	544 19 98-01
12	537 17 70-01	VALVE		1	544 19 98-01
13	503 48 18-01	SCREW		1	544 19 98-01
14	544 19 98-01	CARBURETTOR		1	544 19 98-01
15	537 38 51-01	SCREW		2	544 19 98-01
16	537 38 50-01	CLIP		1	544 19 98-01
17	537 38 53-01	GASKET		1	544 19 98-01, 537 38 56-01
18	537 38 55-01	SPRING		1	544 19 98-01
19	544 23 79-01	ROD		1	544 19 98-01
20	537 38 34-01	SPRING		1	544 19 98-01
21	503 53 56-01	PLUG WELCH		1	544 19 98-01
22	544 23 77-01	NOZZLE ASSY		1	544 19 98-01
23	537 01 25-01	BALL		1	544 19 98-01
24	537 01 26-01	SPRING		1	544 19 98-01
25	537 38 42-01	SHAFT ASSY		1	544 19 98-01
26	544 23 80-01	LEVER		1	544 19 98-01
27	537 38 44-01	SPRING		1	544 19 98-01
28	503 47 90-01	SCREW		1	544 19 98-01
29	537 21 37-01	LEVER		1	544 19 98-01
30	537 38 41-01	LEVER		1	544 19 98-01
31	537 38 52-01	CLIP		1	544 19 98-01
32	544 19 98-01	CARBURETTOR		1	544 19 98-01

CARBURETOR DETAILS

576 XP, 20090100001-Current

Ref	Part No	Description	Remark	QTY	KIT
33	503 53 57-01	STRAINER		1	544 19 98-01
34	537 38 29-01	SPRING		1	544 19 98-01
35	537 27 42-01	BOOT		1	544 19 98-01
36	503 90 34-01	RETAINER		1	544 19 98-01
37	503 97 40-01	WASHER		2	544 19 98-01
38	537 38 38-01	SCREW		1	544 19 98-01
39	537 38 47-01	LIMITER CAP		1	544 19 98-01
40	537 38 46-01	LIMITER CAP		1	544 19 98-01
41	537 38 39-01	SCREW		1	544 19 98-01
42	537 38 45-01	LEVER		1	544 19 98-01
43	503 47 90-01	SCREW		1	544 19 98-01
44	537 38 28-01	SHAFT ASSY		1	544 19 98-01
45	537 38 30-01	VALVE		1	544 19 98-01
46	503 48 18-01	SCREW		1	544 19 98-01
47	537 38 31-01	DIAPHRAGM PUMP		1	544 19 98-01, 537 38 56-01
48	537 40 33-01	DIAPHRAGM		1	544 19 98-01, 537 38 56-01
49	537 02 01-01	GASKET		1	544 19 98-01, 537 38 56-01
50	537 38 32-01	COVER		1	544 19 98-01
51	503 47 96-01	SCREW		1	544 19 98-01
52	503 48 11-01	PIECE		1	544 19 98-01
53	537 38 33-01	SCREW		1	544 19 98-01
54	544 19 98-01	CARBURETTOR	ZAMA C1M-EL28	1	544 19 98-01
55	537 38 56-01	GASKET KIT		1	

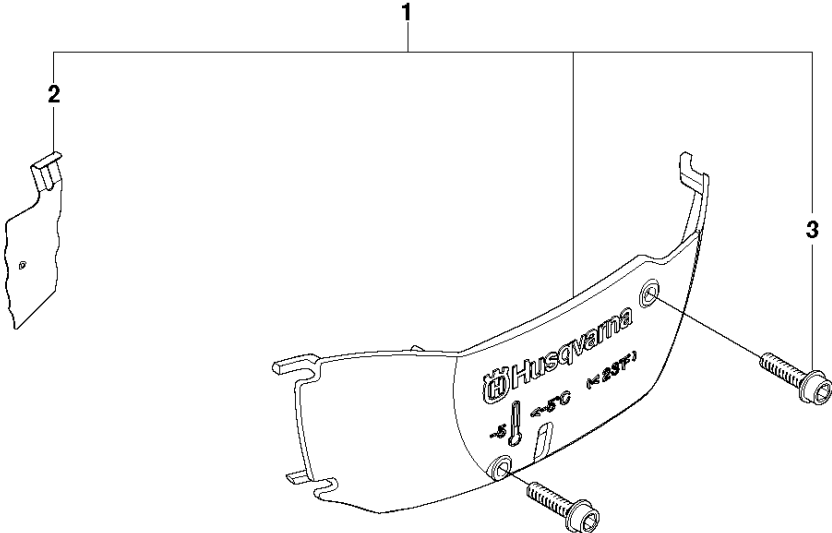


HANDLES HEATED

576 XP, 20090100001-Current

Ref	Part No	Description	Remark	QTY KIT
1	537 20 59-02	FRONT HANDLE ASSY	G	1
2	537 20 89-02	HANDLE	WAG	1
3	537 21 31-01	COVER		1
4	537 21 08-01	RETAINER		1
5	537 21 28-01	FOIL ELEMENT		1
6	537 21 29-01	THERMOSTAT ASSY		1
7	537 21 34-01	GENERATOR STATOR		1
8	503 20 25-16	SCREW IHSCM		2
9	537 13 14-02	SWITCH		1
10	503 21 28-10	SCREW CCRPANT		1
11	537 21 09-01	COVER		1
12	537 20 96-02	FLYWHEEL ASSY		1
13	537 21 10-01	HUB CAP		1
14	503 20 47-01	SCREW IHPANM		1
15	503 22 66-01	SQUARE NUT		1

R 570, 576XP

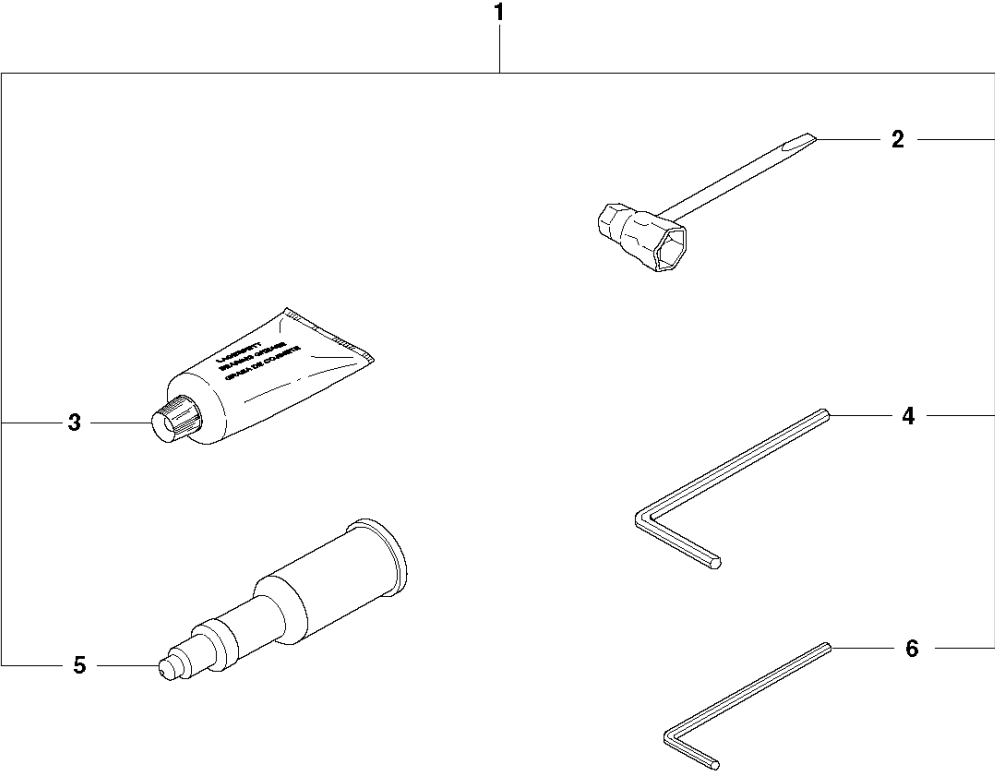


WINTER KIT

576 XP, 20090100001-Current

Ref	Part No	Description	Remark	QTY	KIT
1	504 04 57-02	WINTER KIT	576XP	1	
1	537 21 24-01	WINTER KIT	570	1	
2	537 21 05-01	WINTER COVER		1	504 04 57-01, 537 21 24-01
3	503 21 70-16	SCREW CCRPANT		2	504 04 57-01, 537 21 24-01

S 576XP

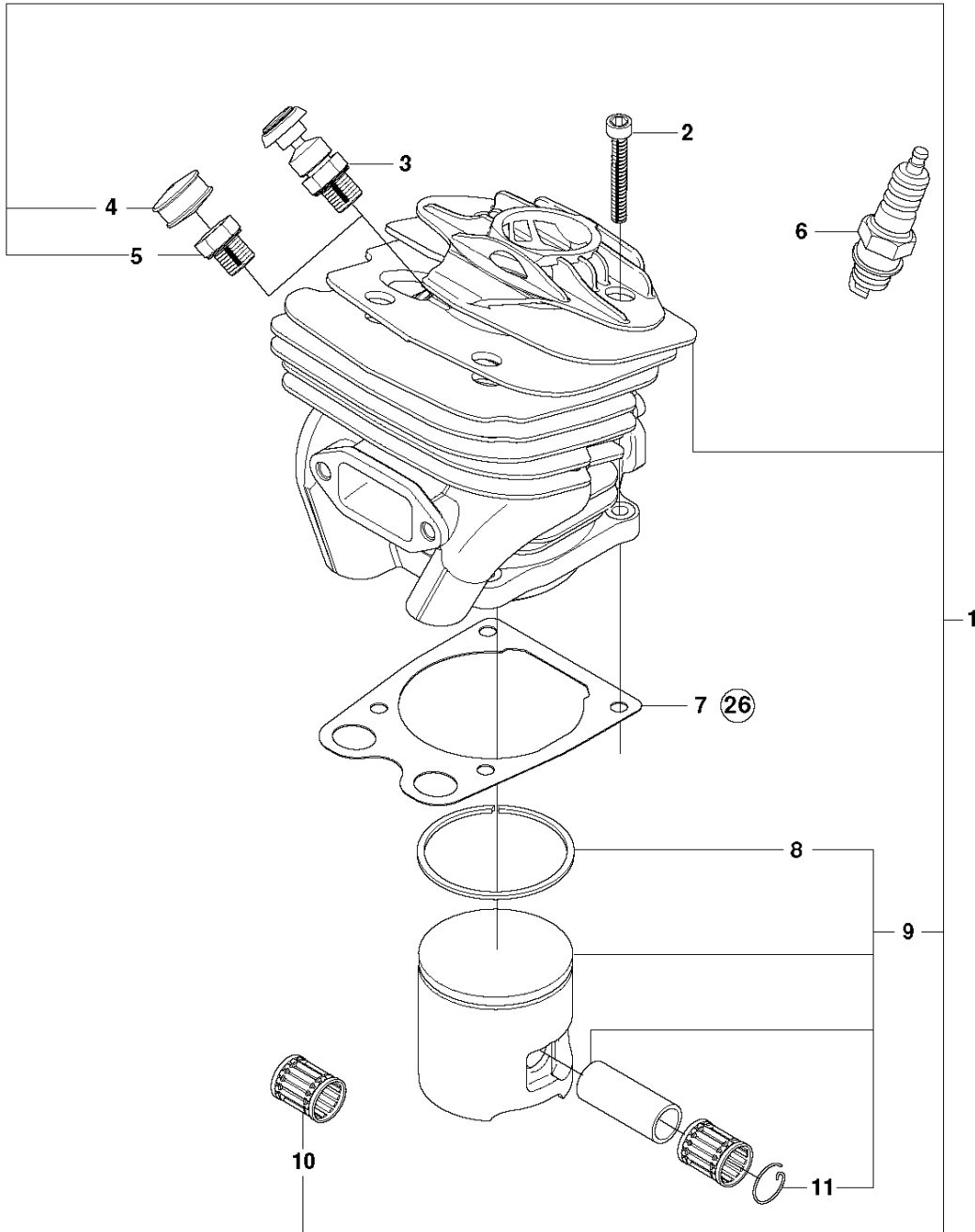


ACCESSORIES

576 XP, 20090100001-Current

Ref	Part No	Description	Remark	QTY	KIT
1	503 55 85-01	TOOL		1	
2	501 69 17-01	COMBINATION WRENCH		1	503 55 85-01
3	503 62 12-01	GREASE		1	503 55 85-01
4	503 55 86-02	SPANNER		1	503 55 85-01
5	501 91 14-01	GREASE GUN		1	503 55 85-01
6	503 55 86-01	SPANNER		1	503 55 85-01

T 575XP  Up to 081700001



SERVICE UPDATES

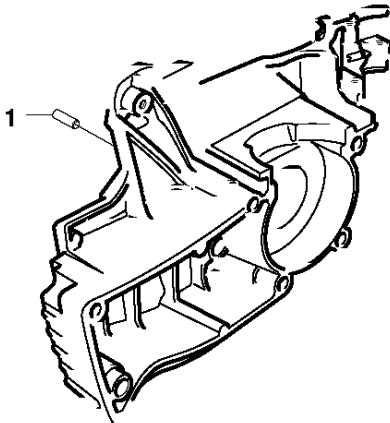
576 XP, 20090100001-Current

Ref	Part No	Description	Remark	QTY	KIT
1	537 25 45-02	CYLINDER	575XP	1	
2	725 53 33-55	SCREW IHSCM		4	
3	537 29 44-01	DECOMPRESSION VALVE		1	
4	537 20 71-01	PLUG		1	537 25 45-02
5	503 55 22-01	PLUG		1	537 25 45-02
6	503 23 51-11	SPARK PLUG		1	
7	537 20 80-01	GASKET		1	537 21 26-01
8	503 28 90-46	PISTON RING		1	537 25 47-02
9	537 25 47-02	PISTON		1	537 25 45-02
10	503 25 56-01	NEEDLE BEARING		1	537 25 45-02
11	737 43 12-00	SNAP RING		2	537 25 47-02
26	537 21 26-01	GASKET KIT			

U 575XP



Up to 052400001



SERVICE UPDATES

576 XP, 20090100001-Current

Ref	Part No	Description	Remark	QTY KIT
1	537 04 03-01	VALVE		1