

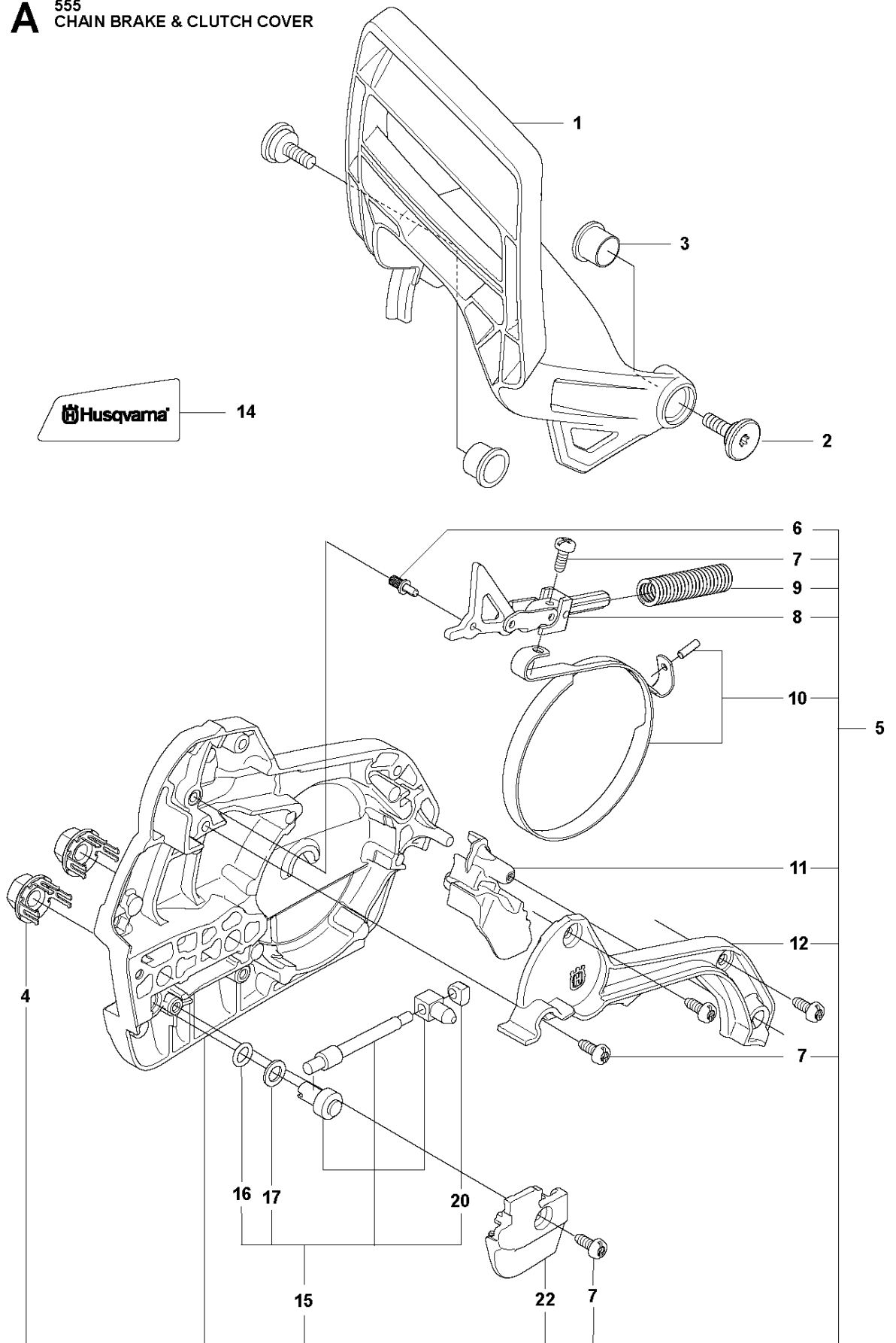


SPARE PARTS LIST

CHAIN SAWS

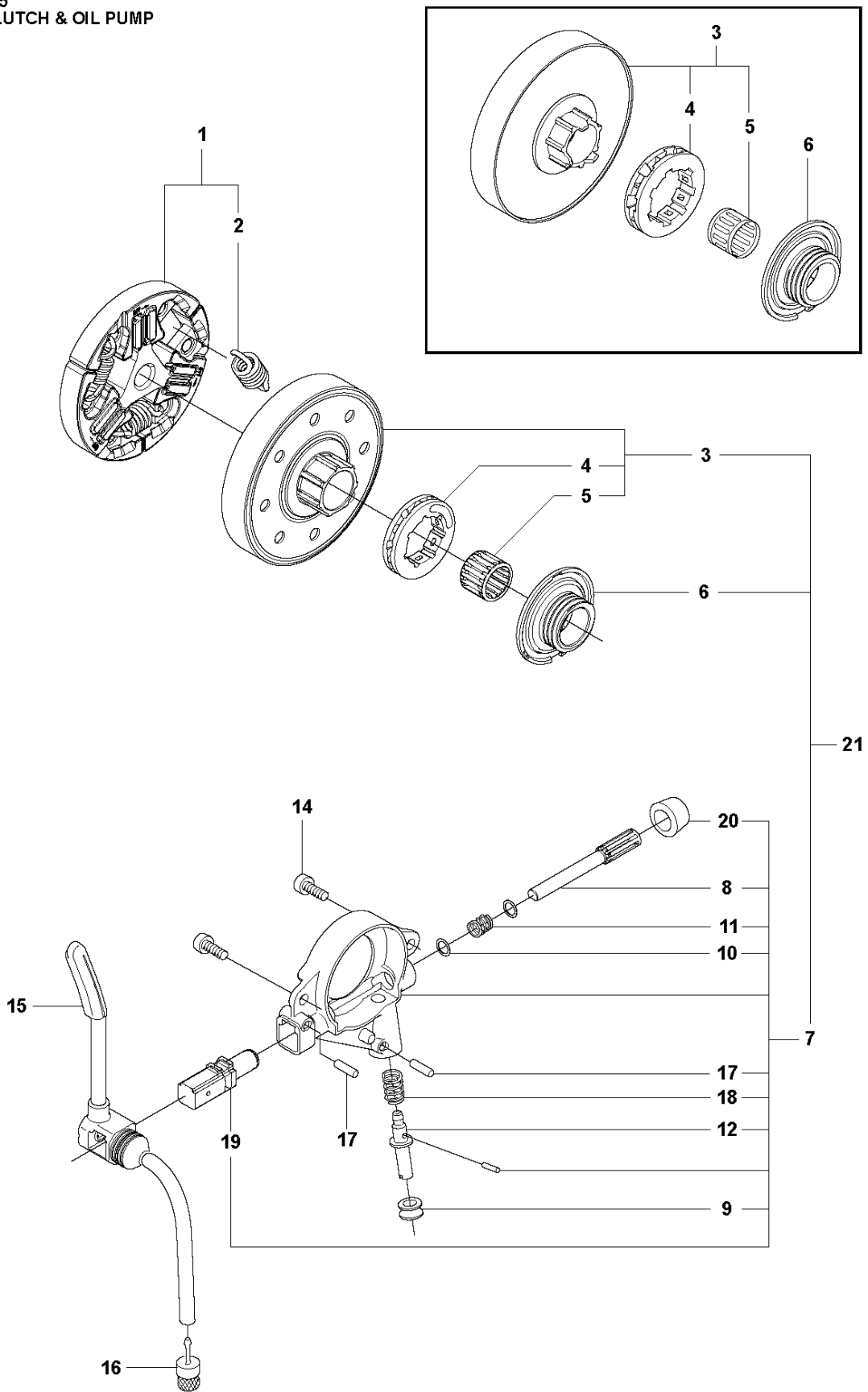
555

A 555
CHAIN BRAKE & CLUTCH COVER



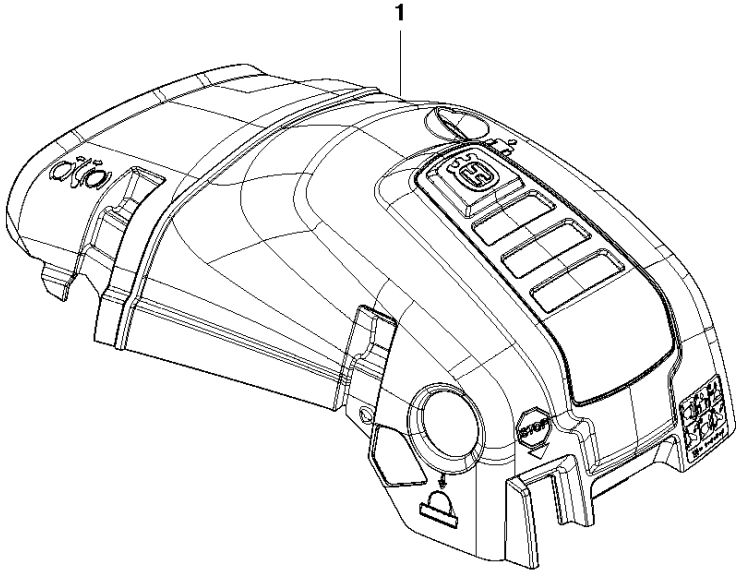
| Ref | Part No | Description | Remark | QTY | KIT |
|-----|--------------|---------------------|-------------------------|-----|-------|
| 1 | 505 20 09-02 | HAND GUARD | | 1 | |
| 2 | 526 83 45-01 | SCREW | | 2 | |
| 3 | 577 78 02-01 | BUSHING | | 2 | |
| 4 | 505 19 73-01 | NUT | | 2 | 5 |
| 5 | 501 84 61-02 | CLUTCH COVER ASSY | | 1 | |
| 6 | 503 75 18-01 | PIN | | 1 | 5 |
| 7 | 526 22 18-01 | SCREW CITXPANT | | 5 | 5 |
| 8 | 505 19 93-01 | KNEE JOINT ASSY | | 1 | 5 |
| 9 | 503 90 83-01 | BRAKE SPRING | | 1 | 5 |
| 10 | 505 19 95-02 | BRAKE BAND ASSY | | 1 | 5 |
| 11 | 505 20 16-01 | GUARD | | 1 | 5 |
| 12 | 505 19 97-03 | COVER | | 1 | 5 |
| 14 | 523 05 80-01 | LABEL | - up to s/n 20202399999 | 1 | |
| 15 | 575 26 04-03 | CHAIN TENSIONER KIT | | 1 | 5 |
| 16 | 740 48 07-02 | O-RING | | 1 | 15, 5 |
| 17 | 503 23 00-63 | WASHER | | 1 | 15, 5 |
| 20 | 537 01 74-01 | BEARING SLEEVE | | 1 | 15, 5 |
| 22 | 505 19 98-01 | CHAIN GUIDE | | 1 | 5 |

B 555
CLUTCH & OIL PUMP



| Ref | Part No | Description | Remark | QTY | KIT |
|-----|--------------|------------------|--|-----|-----|
| 1 | 589 80 90-02 | CLUTCH ASSY | | 1 | |
| 2 | 580 65 35-02 | CLUTCH SPRING | s/n from 20132500001 - up to s/n 20164100192 | 3 | 1 |
| 2 | 502 16 47-01 | CLUTCH SPRING | s/n from 20164100193 - | 3 | 1 |
| 3 | 575 26 10-05 | CLUTCH DRUM ASSY | - up to s/n 20202200048 ".325" x7" | 1 | |
| 3 | 575 26 10-07 | CLUTCH DRUM ASSY | s/n from 20202200049 - ".325" x7" | 1 | 21 |
| 3 | 575 26 10-06 | CLUTCH DRUM | - up to s/n 20202200048 "3/8" x7" | 1 | |
| 3 | 575 26 10-08 | CLUTCH DRUM ASSY | s/n from 20202200049 - "3/8" x7" | 1 | 21 |
| 4 | 501 45 74-02 | RIM | ".325" x7" | 1 | 3 |
| 4 | 501 59 80-02 | RIM | "3/8" x7" | 1 | 3 |
| 5 | 503 25 34-01 | NEEDLE BEARING | | 1 | 3 |
| 6 | 505 20 08-01 | WORM WHEEL | - up to s/n 20202200048 | 1 | |
| 6 | 586 20 17-01 | WORM WHEEL | s/n from 20202200049 - ".325" | 1 | 21 |
| 6 | 587 63 30-01 | WORM WHEEL | s/n from 20202200049 - "3/8" | 1 | 21 |
| 7 | 505 19 99-08 | OIL PUMP ASSY | | 1 | 21 |
| 8 | 505 20 02-02 | PUMP PISTON | | 1 | 7 |
| 9 | 505 20 03-01 | CASING | | 1 | 7 |
| 10 | 503 23 00-60 | WASHER | | 2 | 7 |
| 11 | 503 89 16-01 | SPRING | | 1 | 7 |
| 12 | 505 15 70-01 | ADJUSTMENT SCREW | | 1 | 7 |
| 14 | 526 81 81-02 | SCREW ITXSCM | | 2 | |
| 15 | 505 20 04-01 | OIL HOSE | | 1 | |
| 16 | 504 71 00-03 | OIL PLUMMET | | 1 | |
| 17 | 720 12 33-00 | PARALLEL PIN | | 2 | 7 |
| 18 | 503 89 15-01 | SPRING | | 1 | 7 |
| 19 | 505 20 01-01 | PUMP CYLINDER | | 1 | 7 |
| 20 | 503 62 49-02 | SEALING PLUG | | 1 | 7 |
| 21 | 598 93 77-01 | CLUTCH DRUM ASSY | s/n from 20202200049 - ".325" | 1 | |
| 21 | 598 93 77-02 | CLUTCH DRUM ASSY | s/n from 20202200049 - "3/8" | 1 | |

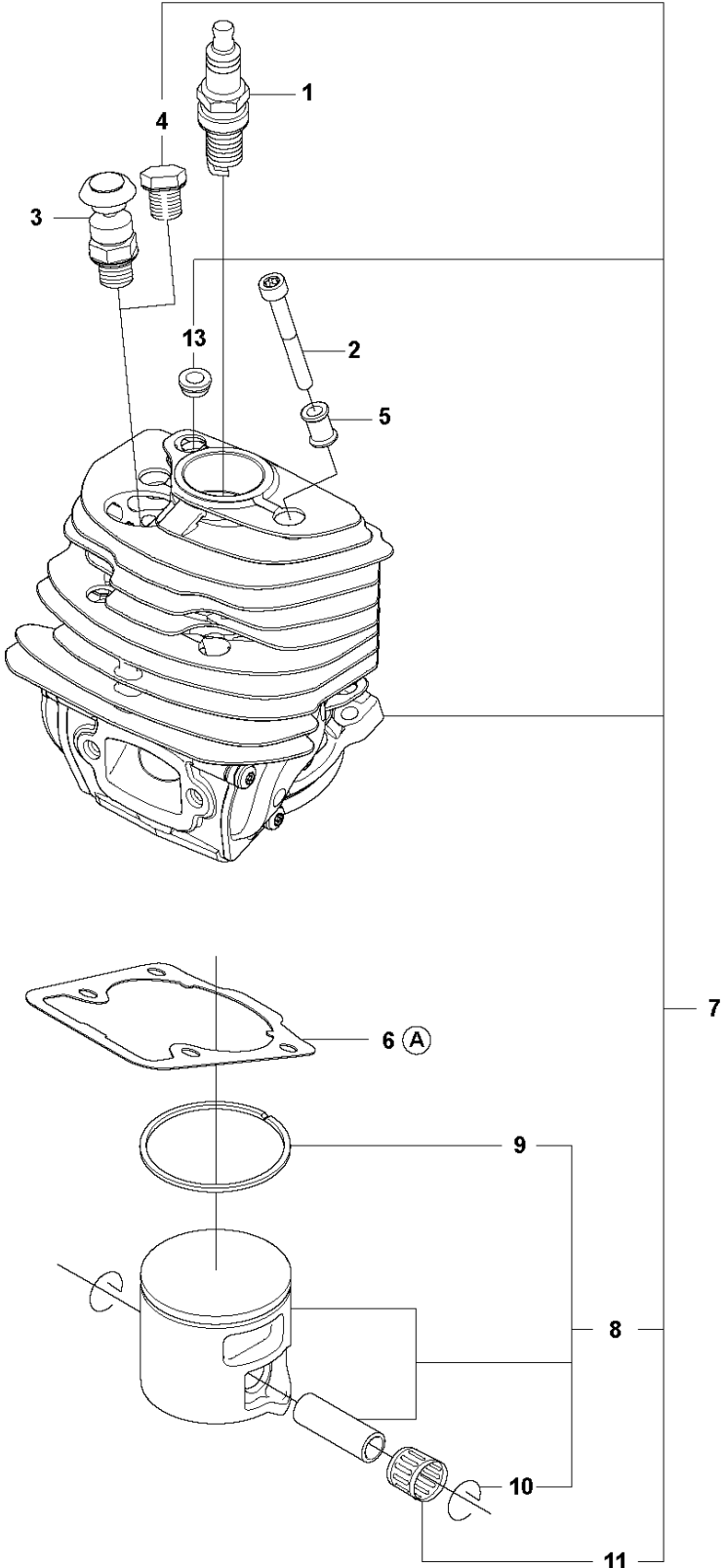
C 555
CYLINDER COVER



CYLINDER COVER

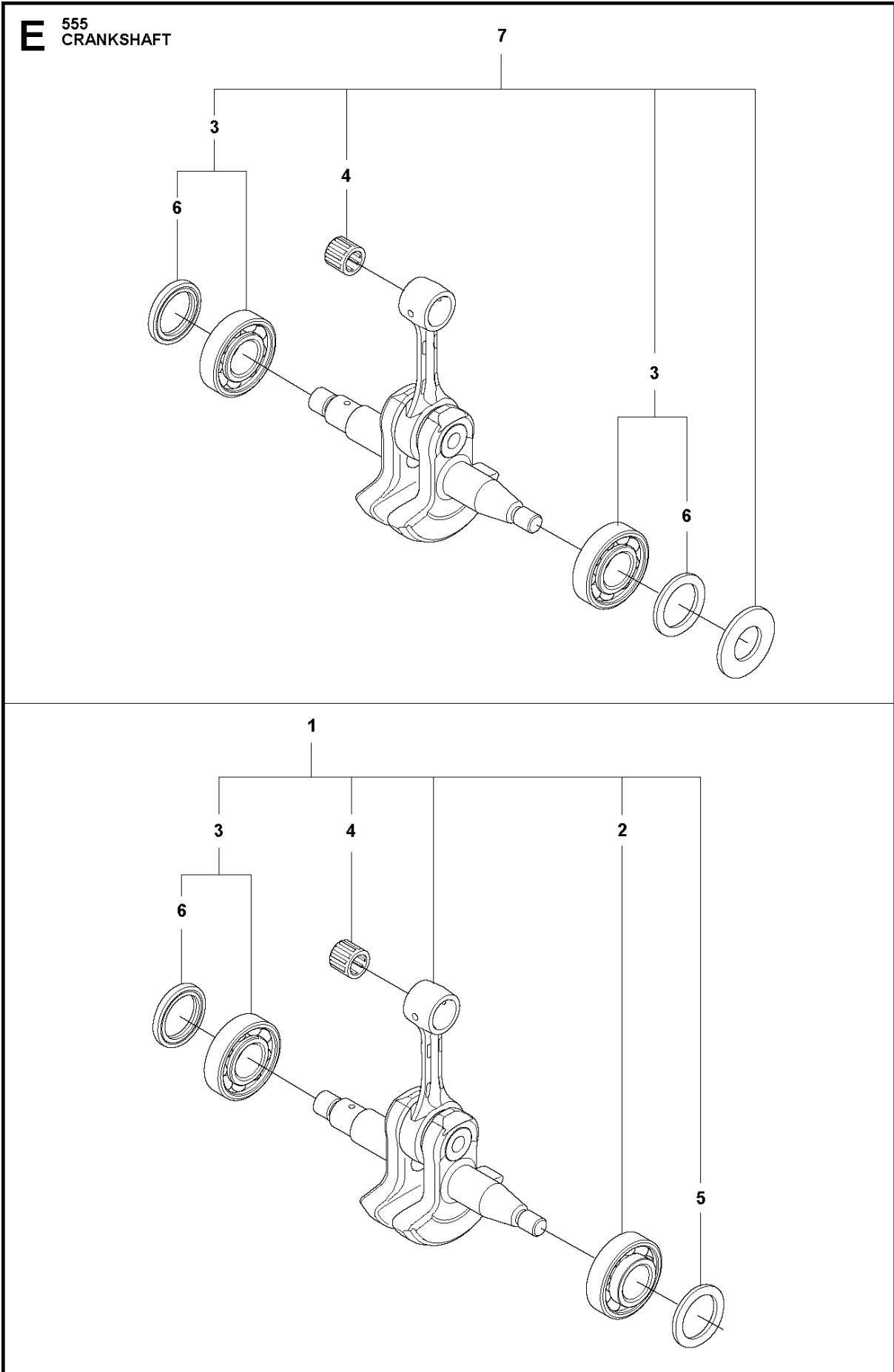
| Ref | Part No | Description | Remark | QTY | KIT |
|-----|--------------|---------------------|--------|-----|-----|
| 1 | 587 24 85-04 | CYLINDER COVER ASSY | | 1 | |
| 2 | 587 14 95-01 | LABEL | | 1 | 1 |

D 555
CYLINDER PISTON



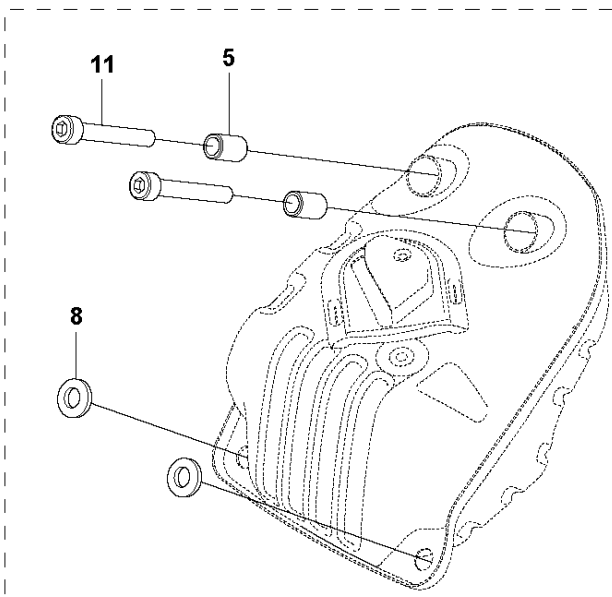
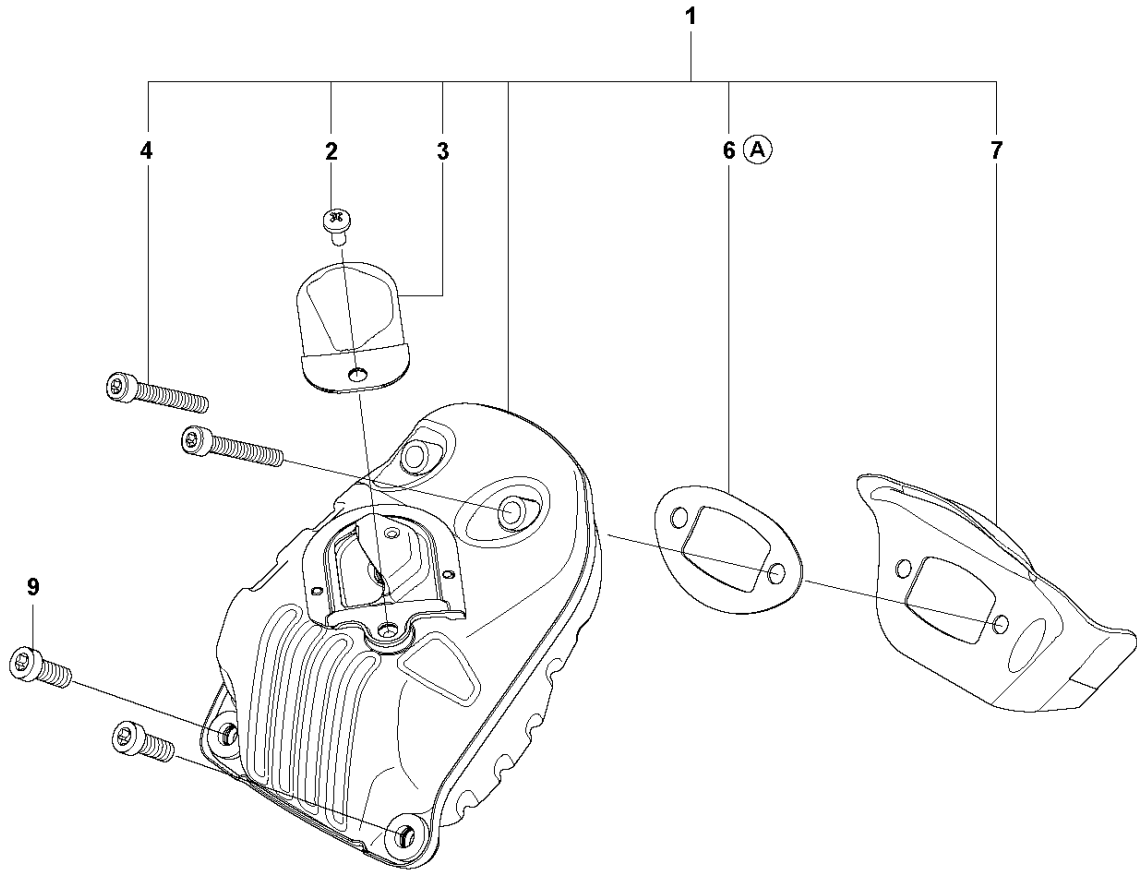
12
Ⓐ Set of gaskets

| Ref | Part No | Description | Remark | QTY | KIT |
|-----|--------------|---------------------|------------------|-----|------|
| 1 | 531 00 86-15 | SPARK PLUG | | 1 | |
| 2 | 582 39 27-01 | SCREW | | 4 | |
| 3 | 575 27 69-01 | DECOMPRESSION VALVE | | 1 | |
| 4 | 503 55 22-01 | PLUG | | 1 | 7 |
| 5 | 576 71 76-02 | SLEEVE | | 4 | |
| 6 | 510 16 49-01 | GASKET | | 1 | 12 |
| 7 | 575 35 58-06 | CYLINDER ASSY | | 1 | |
| 8 | 584 80 78-06 | PISTON ASSY | | 1 | 7 |
| 9 | 505 21 57-01 | PISTON RING | | 1 | 8, 7 |
| 10 | 737 44 10-00 | SNAP RING | | 2 | 8, 7 |
| 11 | 503 25 63-02 | NEEDLE BEARING | | 1 | 7 |
| 12 | 575 27 00-03 | GASKET KIT | A=set of gaskets | 1 | |
| 13 | 520 29 11-01 | BUSHING | | 1 | 7 |



| Ref | Part No | Description | Remark | QTY | KIT |
|-----|--------------|-----------------|-------------------------|-----|---------|
| 1 | 575 54 52-14 | CRANKSHAFT ASSY | - up to s/n 20202399999 | 1 | |
| 2 | 505 13 35-03 | BALL BEARING | - up to s/n 20202399999 | 1 | 1 |
| 3 | 525 43 42-04 | BALL BEARING | | 2 | 7 |
| 3 | 525 43 42-04 | BALL BEARING | | 1 | 1 |
| 4 | 503 25 63-02 | NEEDLE BEARING | | 1 | 1,7 |
| 5 | 525 39 12-01 | RADIAL SEAL | - up to s/n 20202399999 | 1 | 1 |
| 6 | 505 41 61-01 | RADIAL SEAL | | 1 | 1, 3, 7 |
| 7 | 575 54 52-18 | CRANKSHAFT ASSY | s/n from 20202400001 - | 1 | |

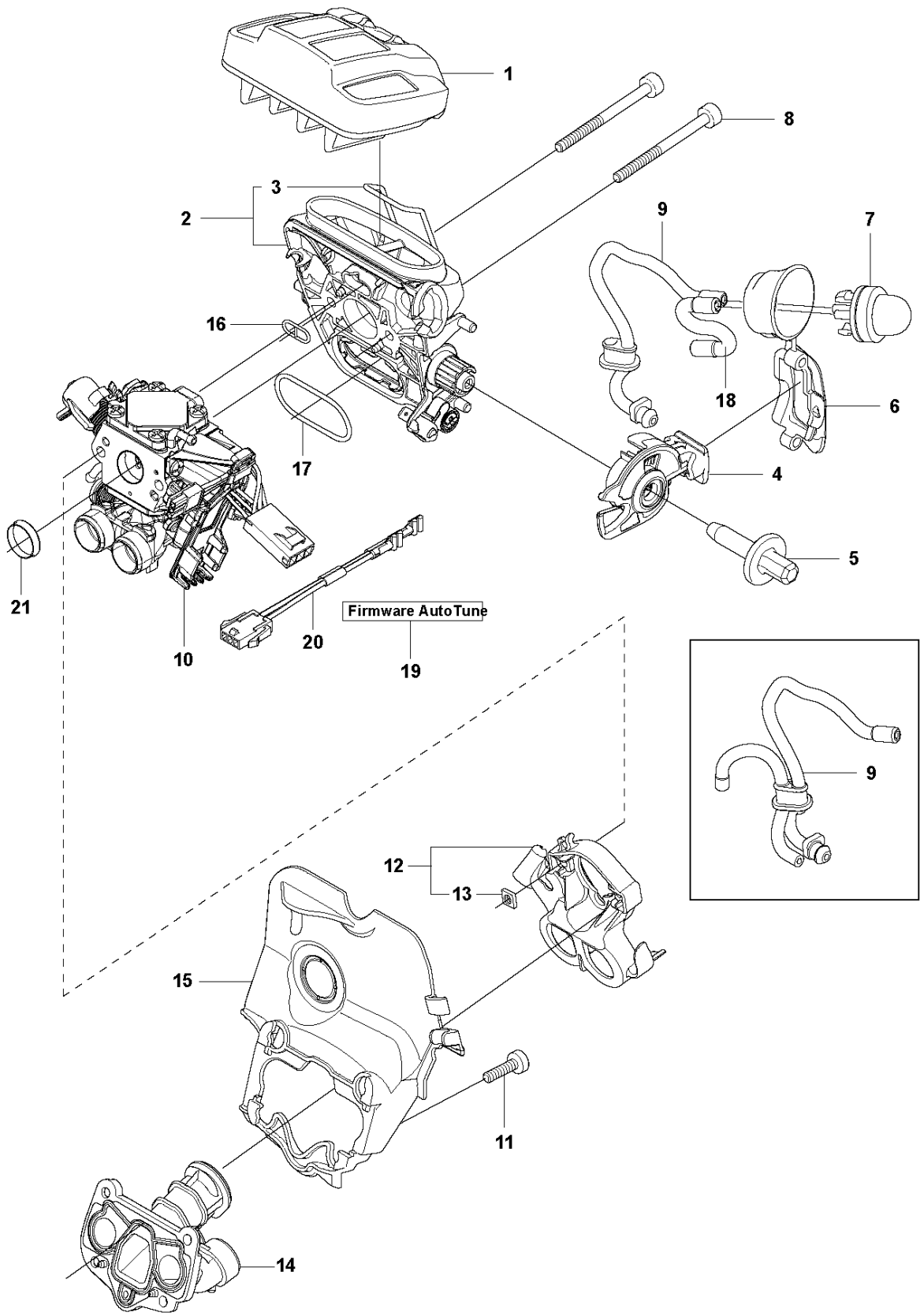
F 555
MUFFLER



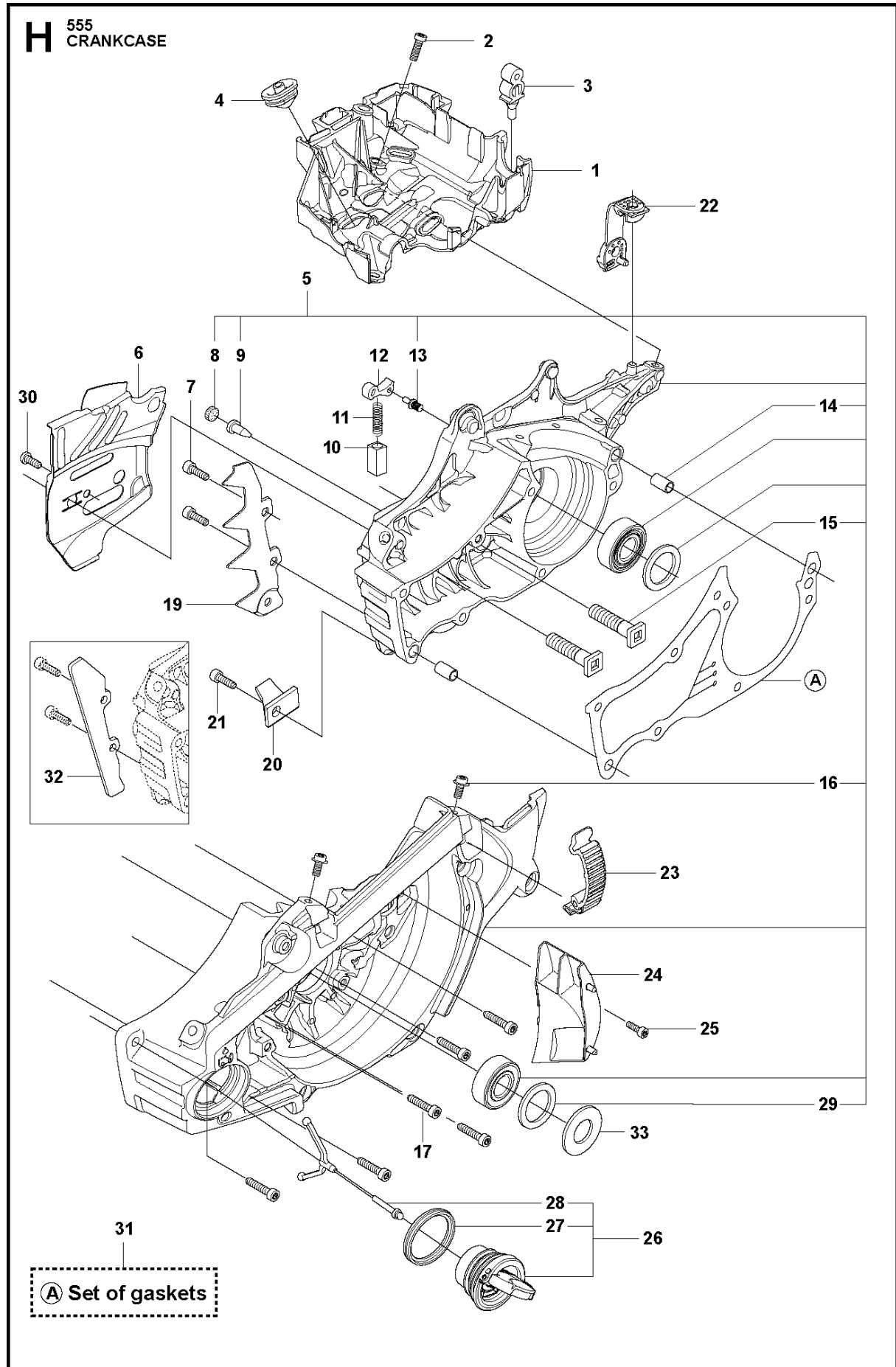
10
Ⓐ Set of gaskets

| Ref | Part No | Description | Remark | QTY KIT | |
|-----|--------------|----------------|-------------------------|---------|-------|
| 1 | 581 91 48-02 | MUFFLER KIT | | 1 | |
| 2 | 724 12 87-59 | SCREW CRPANM | | 1 | 1 |
| 3 | 505 17 13-01 | SPARK ARRESTER | | 1 | 1 |
| 4 | 525 82 51-06 | SCREW ITXSCM | s/n from 20132500001 - | 2 | 1 |
| 5 | 577 65 63-01 | SLEEVE | s/n up to - 20132499999 | 2 | |
| 6 | 581 91 85-01 | GASKET | | 1 | 1, 10 |
| 7 | 585 17 87-01 | HEAT DEFLECTOR | | 1 | 1 |
| 8 | 577 90 22-01 | WASHER | s/n up to - 20132499999 | 2 | |
| 9 | 525 76 25-01 | SCREW ITXSCM | | 2 | |
| 10 | 575 27 00-03 | GASKET KIT | A=set of gaskets | 1 | |
| 11 | 725 53 76-55 | SCREW IHSCM | s/n up to - 20132499999 | 2 | |

G 555
CARBURETOR & AIR FILTER

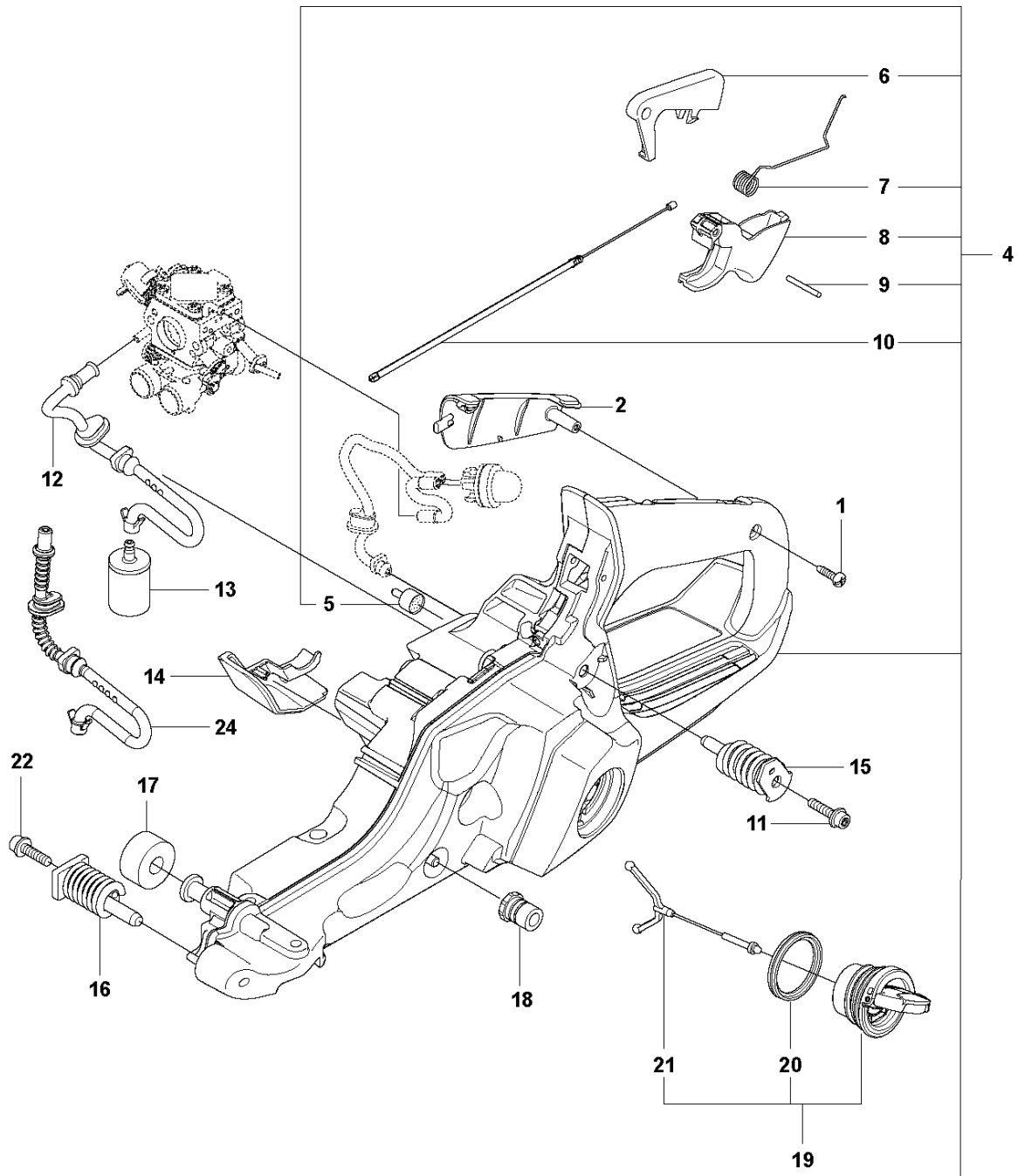


| Ref | Part No | Description | Remark | QTY | KIT |
|-----|--------------|--------------------|--|-----|-----|
| 1 | 505 12 63-04 | AIR FILTER ASSY | NYLON 80 µm black | 1 | |
| 1 | 505 12 63-05 | AIR FILTER ASSY | NYLON 44 µm yellow | 1 | |
| 1 | 505 12 63-06 | AIR FILTER ASSY | FELT white | 1 | |
| 1 | 505 12 63-07 | AIR FILTER ASSY | NYLON 25 µm orange | 1 | |
| 2 | 525 39 79-05 | FILTER HOLDER ASSY | | 1 | |
| 3 | 505 17 69-01 | SHACKLE | | 1 | 2 |
| 4 | 510 01 72-02 | CHOKE CONTROL ASSY | | 1 | |
| 5 | 505 15 62-01 | SCREW | | 1 | |
| 6 | 525 58 81-01 | SEALING | | 1 | |
| 7 | 503 93 66-01 | PURGE | | 1 | |
| 8 | 574 35 35-03 | SCREW ITXSCM | | 2 | |
| 9 | 587 64 54-04 | VENTILATING HOSE | s/n from 20154500385 | 1 | 9 |
| 9 | 589 35 71-01 | VENTILATING HOSE | s/n up to - 20154500384 | 1 | |
| 9 | 525 34 43-03 | FUEL HOSE | s/n from 20173800688 | 1 | |
| 10 | 579 19 41-01 | CARBURETTOR | s/n up to - 20121499999 (ZAMA EL44) | 1 | |
| 10 | 501 46 33-06 | CARBURETTOR KIT | ZAMA140059A | 1 | |
| 11 | 526 81 81-01 | SCREW ITXSCM | | 4 | |
| 12 | 505 16 52-02 | FLANGE | | 1 | |
| 13 | 503 22 65-03 | SQUARE NUT | | 2 | 12 |
| 14 | 583 96 41-03 | INLET PIPE | | 1 | |
| 14 | 583 96 41-04 | INLET PIPE | Cold resistant | 1 | |
| 15 | 520 29 09-01 | INTERMEDIATE WALL | | 1 | |
| 16 | 525 61 92-01 | SEALING | | 1 | |
| 17 | 525 61 90-01 | SEALING | | 1 | |
| 18 | 523 05 68-01 | FUEL HOSE | | 1 | |
| 20 | 577 53 64-01 | WIRING ASSY | s/n from 20121500001 - | 1 | |
| 21 | 582 02 51-01 | SUPPORT SLEEVE | | 1 | |



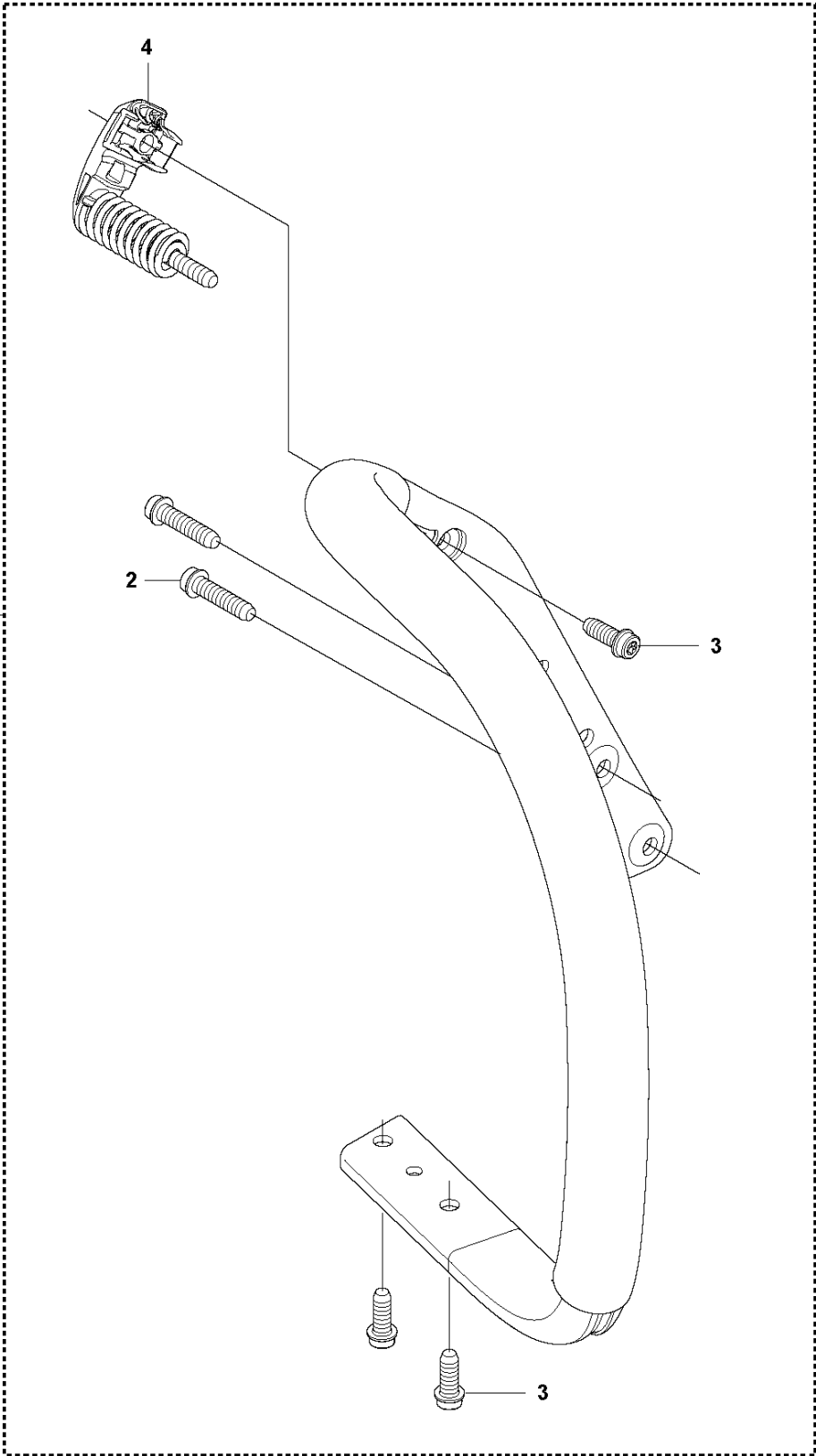
| Ref | Part No | Description | Remark | QTY | KIT |
|-----|--------------|-----------------------|-------------------------|-----|-----|
| 1 | 588 19 39-01 | CARBURETTOR AREA BASE | | 1 | |
| 2 | 525 75 52-02 | SCREW ITXSCFM | | 4 | |
| 3 | 503 86 93-01 | SUPPORT | | 2 | |
| 4 | 581 55 92-01 | BELLOWS | | 1 | |
| 5 | 575 38 02-21 | CRANKCASE ASSY | | 1 | |
| 6 | 505 20 11-01 | CHAIN GUIDE PLATE | | 1 | |
| 7 | 575 79 35-01 | SCREW ITXPANM | | 2 | |
| 8 | 537 40 35-01 | FILTER | | 1 | 5 |
| 9 | 530 02 61-19 | CHECK VALVE | | 1 | 5 |
| 10 | 537 21 07-01 | SPRING GUIDE | | 1 | |
| 11 | 503 43 65-01 | POSITION SPRING | | 1 | |
| 12 | 505 20 12-01 | CATCH | | 1 | |
| 13 | 503 75 18-01 | PIN | | 1 | 5 |
| 14 | 593 80 60-01 | GUIDE BUSHING | | 2 | 5 |
| 15 | 505 21 73-01 | BAR BOLT | | 2 | 5 |
| 16 | 525 82 44-01 | SCREW ITXSCM | | 2 | 5 |
| 17 | 575 84 11-04 | SCREW ITXSCM | | 6 | |
| 19 | 577 93 52-01 | SPIKE | | 1 | |
| 20 | 537 37 79-02 | CHAIN CATCHER | | 1 | |
| 21 | 525 79 81-03 | SCREW ITXSCFT | | 1 | |
| 22 | 505 12 58-01 | DEFLECTION LIMITER | | 1 | |
| 23 | 503 89 47-01 | SNAP LOCKING | | 3 | |
| 24 | 588 06 55-01 | AIR NOZZLE | | 1 | |
| 25 | 526 81 81-01 | SCREW ITXSCM | | 1 | |
| 26 | 522 62 00-03 | TANK CAP ASSY | | 1 | |
| 27 | 589 24 11-01 | GASKET | | 1 | 26 |
| 28 | 503 57 89-01 | HOLDER | | 1 | 26 |
| 29 | 525 39 12-01 | RADIAL SEAL | - up to s/n 20202399999 | 1 | 5 |
| 30 | 525 88 74-01 | SCREW CITXPANT | | 1 | |
| 31 | 575 27 00-03 | GASKET KIT | A=set of gaskets | 1 | |
| 32 | 574 88 98-01 | ENCLOSED KIT | | 1 | |
| 33 | 596 91 13-01 | PROTECTIVE CAP | s/n from 20202400001 - | 1 | |

J 555
FUEL TANK

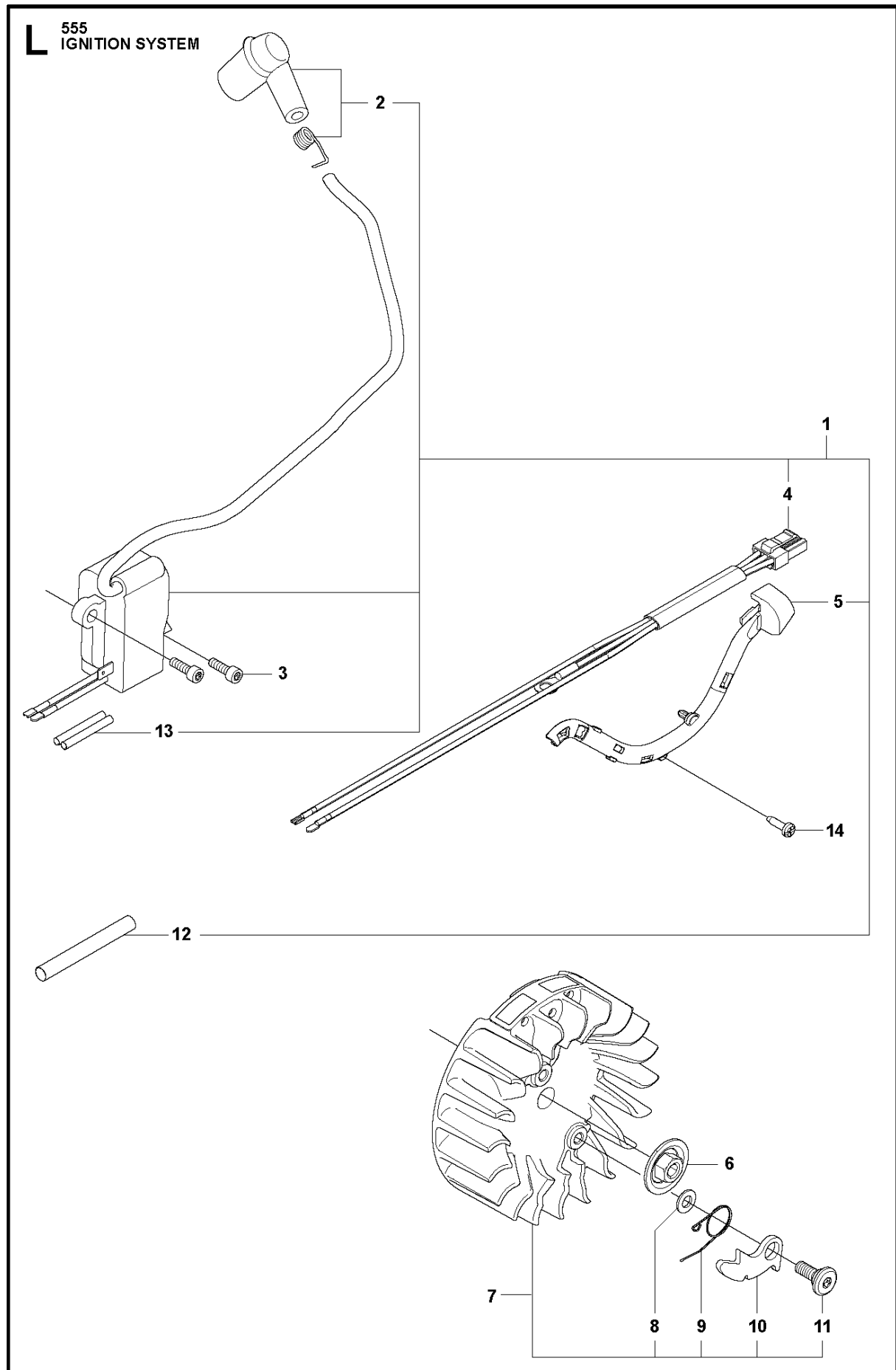


| Ref | Part No | Description | Remark | QTY | KIT |
|-----|--------------|-----------------------|--------|-----|-----|
| 1 | 525 88 74-02 | SCREW CITXPANT | | 1 | |
| 2 | 504 10 63-01 | HANDLE INSERT | | 1 | |
| 4 | 575 38 22-05 | FUEL TANK ASSY | | 1 | |
| 5 | 501 15 29-01 | TANK VENT ASSY | | 1 | 4 |
| 6 | 544 09 98-01 | THROTTLE LOCKOUT | | 1 | 4 |
| 7 | 544 09 99-01 | SPRING | | 1 | 4 |
| 8 | 505 15 77-01 | THROTTLE | | 1 | 4 |
| 9 | 720 18 25-20 | PARALLEL PIN | | 1 | 4 |
| 10 | 521 88 79-01 | THROTTLE CABLE ASSY | | 1 | 4 |
| 11 | 525 79 81-03 | SCREW ITXSCFT | | 1 | |
| 12 | 573 99 35-03 | FUEL HOSE | | 1 | |
| 13 | 503 44 32-01 | FUEL FILTER | | 1 | |
| 14 | 505 16 59-01 | COVER | | 1 | |
| 15 | 586 31 21-03 | ANTIVIBRATION ELEMENT | | 1 | |
| 16 | 505 12 87-02 | ANTIVIBRATION ELEMENT | | 1 | |
| 17 | 523 08 55-01 | DEFLECTION LIMITER | | 1 | |
| 18 | 501 00 76-01 | SUPPORT | | 1 | |
| 19 | 522 62 00-03 | TANK CAP ASSY | | 1 | |
| 20 | 589 24 11-01 | GASKET | | 1 | 19 |
| 21 | 503 57 89-01 | HOLDER | | 1 | 19 |
| 22 | 525 79 81-03 | SCREW ITXSCFT | | 1 | |
| 23 | 577 84 43-01 | DECAL | | 1 | 4 |
| 24 | 577 50 41-01 | FUEL HOSE | | 1 | |

K 555
HANDLE

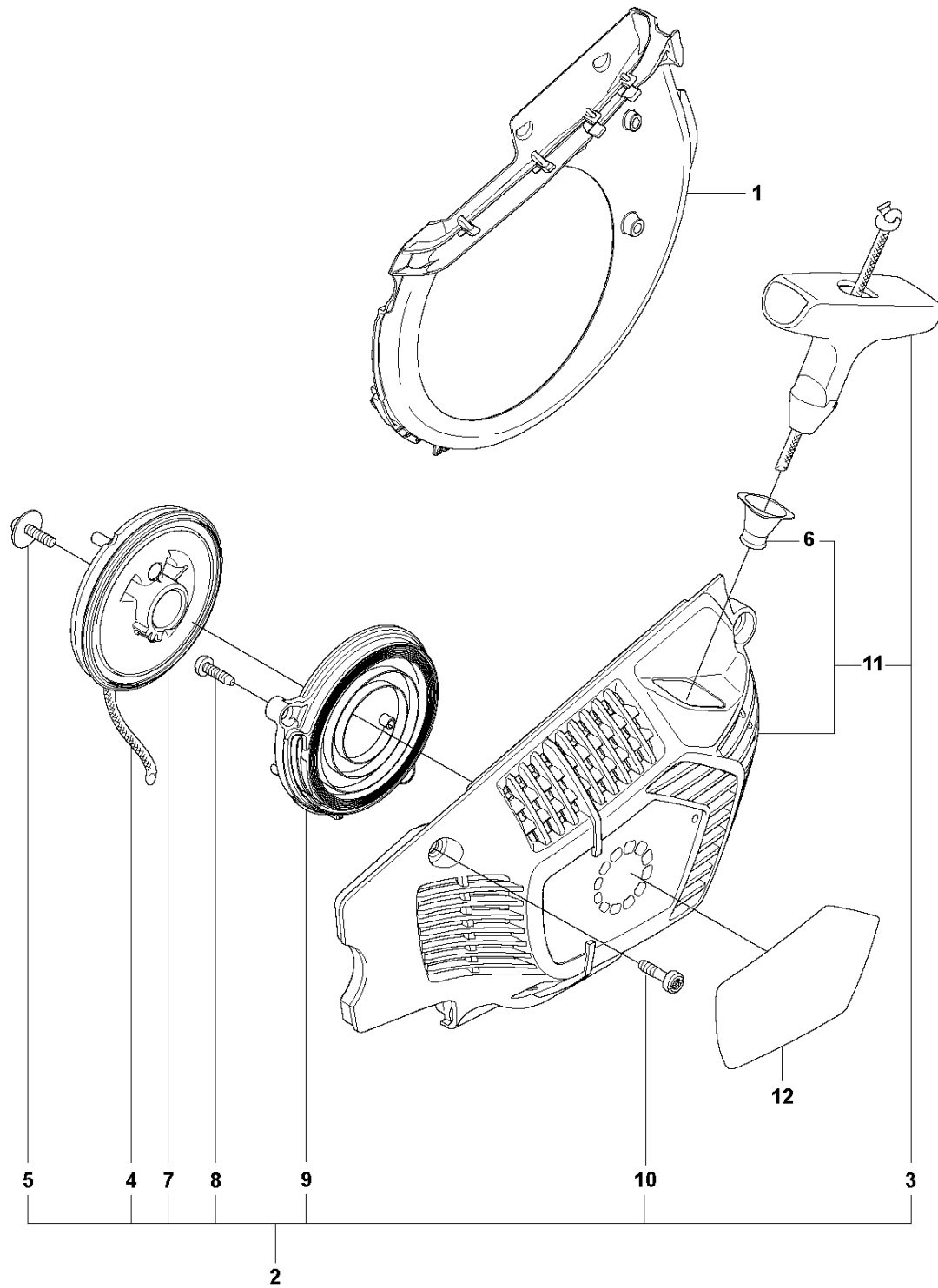


| Ref | Part No | Description | Remark | QTY KIT | |
|-----|--------------|-----------------------|--------|---------|---|
| 1 | 575 38 89-03 | FRONT HANDLE | | 1 | |
| 2 | 525 79 81-03 | SCREW ITXSCFT | | 2 | 1 |
| 3 | 525 79 81-01 | SCREW ITXSCFT | | 3 | 1 |
| 4 | 505 12 97-05 | ANTIVIBRATION ELEMENT | | 1 | 1 |

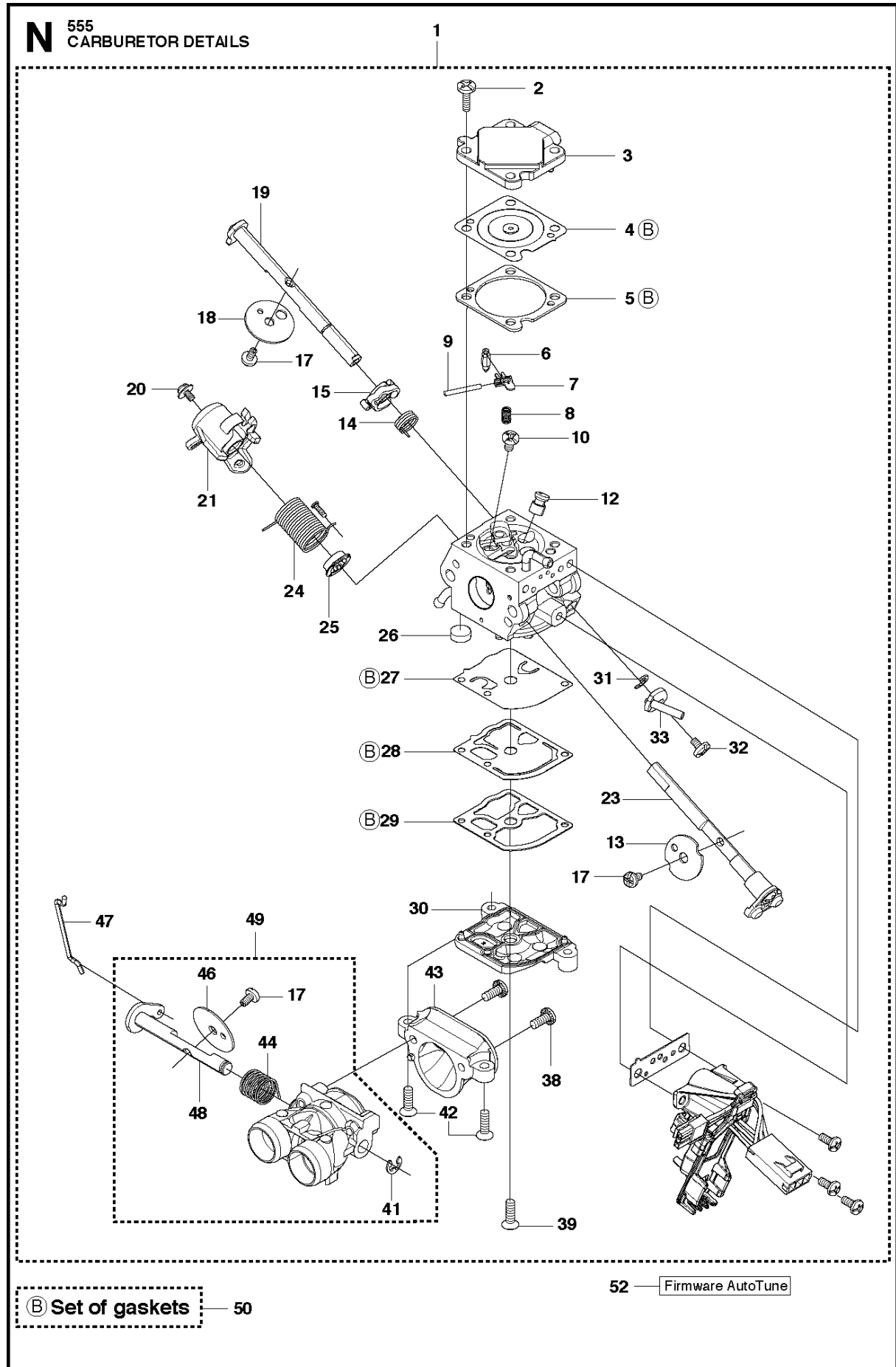


| Ref | Part No | Description | Remark | QTY | KIT |
|-----|--------------|----------------------|------------------------------------|-----|-----|
| 1 | 522 79 51-07 | IGNITION MODULE ASSY | s/n up to - 20121499999 (14MHz) | 1 | |
| 1 | 581 72 35-02 | IGNITION MODULE ASSY | s/n from 20121500001 - (8MHz) | 1 | |
| 2 | 501 48 54-04 | SPARK PLUG CAP ASSY | | 1 | 1 |
| 3 | 525 75 52-03 | SCREW ITXSCFM | | 2 | |
| 4 | 575 43 06-01 | WIRING ASSY | s/n up to - 20121499999 (14MHz) | 1 | |
| 4 | 577 96 76-01 | WIRING ASSY | s/n from 20121500001 - (8MHz) | 1 | 1 |
| 5 | 505 17 82-01 | CABLE HOLDER | | 1 | 1 |
| 6 | 585 32 18-01 | NUT | | 1 | |
| 7 | 504 87 24-03 | FLYWHEEL ASSY | | 1 | |
| 8 | 503 23 00-42 | WASHER | | 2 | 7 |
| 9 | 501 67 35-01 | SPRING | | 2 | 7 |
| 10 | 501 67 32-01 | PAWL | | 2 | 7 |
| 11 | 506 00 69-01 | SCREW | | 2 | 7 |
| 12 | 504 04 35-05 | CABLE COVER | | 1 | 1 |
| 13 | 503 23 85-01 | SHRINKAGE HOSE | | 2 | 1 |
| 14 | 525 88 74-01 | SCREW CITXPANT | | 1 | |

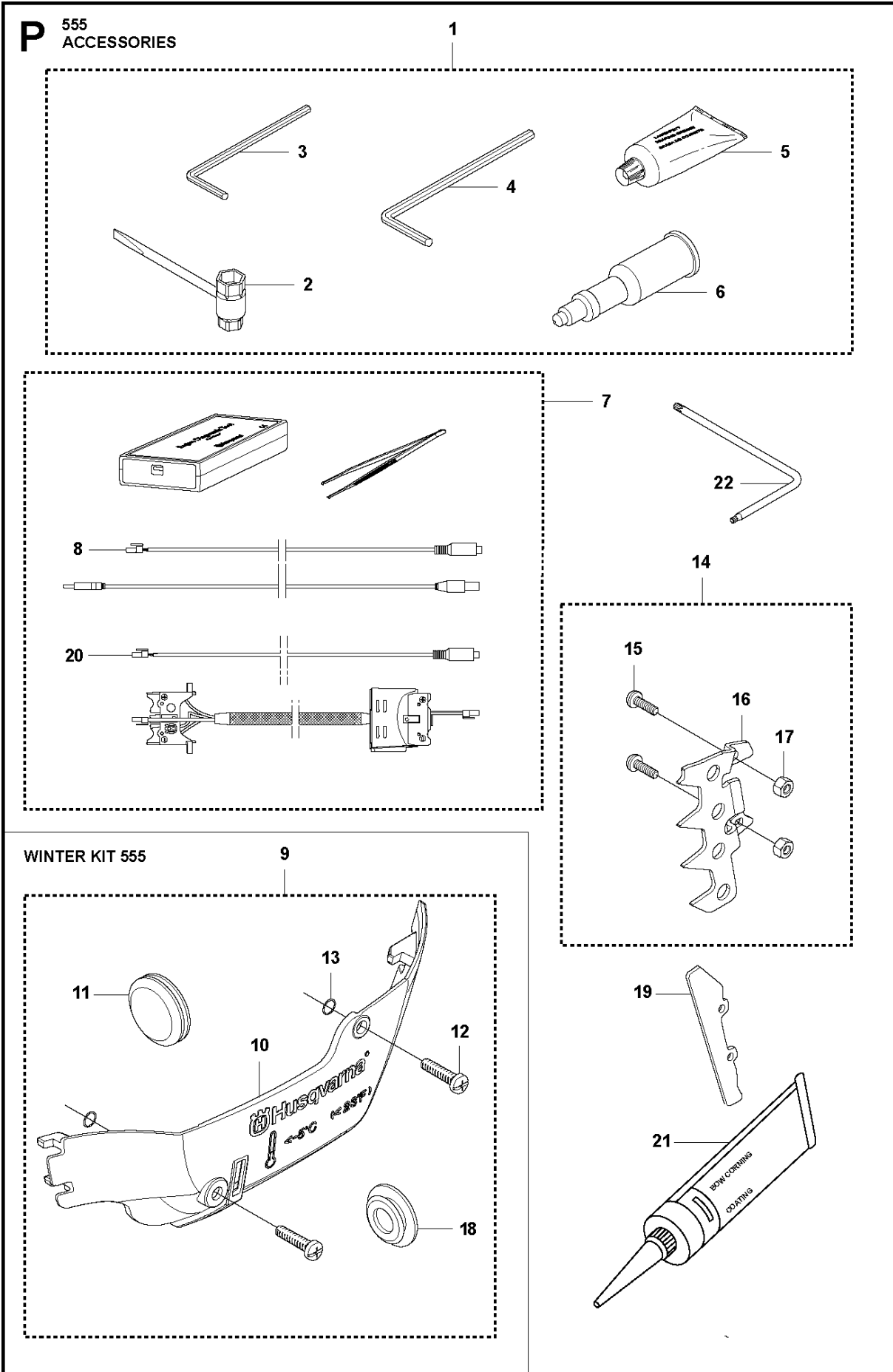
M 555
STARTER



| Ref | Part No | Description | Remark | QTY | KIT |
|-----|--------------|----------------------|--------|-----|-------|
| 1 | 505 15 75-01 | AIR CONDUCTOR | | 1 | |
| 2 | 505 15 92-04 | STARTER ASSY | | 1 | |
| 3 | 537 23 25-01 | STARTER HANDLE | | 1 | 2 |
| 4 | 505 30 51-25 | STARTER CORD | | 1 | 2 |
| 5 | 576 35 66-01 | SCREW ITXSCT | | 1 | 2 |
| 6 | 537 28 32-01 | SLEEVE | | 1 | 2, 11 |
| 7 | 505 15 81-01 | STARTER PULLEY ASSY | | 1 | 2 |
| 8 | 525 88 74-01 | SCREW CITXPANT | | 2 | 2 |
| 9 | 505 15 79-02 | SPRING CASSETTE ASSY | | 1 | 2 |
| 10 | 525 82 45-01 | SCREW CITXPANMO | | 4 | 2 |
| 11 | 505 15 91-02 | STARTER HOUSING | | 1 | 2 |
| 12 | 523 03 56-01 | LABEL | | 1 | |



| Ref | Part No | Description | Remark | QTY | KIT |
|-----|--------------|---------------------|---|-----|-------|
| 1 | 579 19 41-01 | CARBURETTOR | s/n up to - 20121499999 (ZAMA EL44) | 1 | |
| 1 | 501 46 33-06 | CARBURETTOR KIT | ZAMA140059A | 1 | |
| 2 | 522 54 51-01 | SCREW | | 4 | 1 |
| 3 | 522 51 72-01 | COVER | | 1 | 1 |
| 4 | 522 51 74-01 | DIAPHRAGM | | 1 | 1, 50 |
| 5 | 522 51 75-01 | GASKET | | 1 | 1, 50 |
| 6 | 503 47 97-01 | VALVE | | 1 | 1 |
| 7 | 503 66 59-01 | LEVER | | 1 | 1 |
| 8 | 537 38 34-01 | SPRING | | 1 | 1 |
| 9 | 503 48 00-01 | PIN RETAINING SCREW | | 1 | 1 |
| 10 | 503 48 01-01 | SCREW | | 1 | 1 |
| 12 | 576 41 42-01 | MAIN NOZZLE | | 1 | 1 |
| 13 | 523 07 72-01 | VALVE | s/n up to - 20121401172 (ZAMA EL44) | 1 | 1 |
| 13 | 579 05 91-01 | THROTTLE VALVE | s/n 20121401173 - 20142499999 (ZAMA EL47) | 1 | |
| 13 | 583 97 49-01 | THROTTLE VALVE | s/n 20142500001 - (ZAMAEL49/140056A) | 1 | |
| 14 | 522 51 87-01 | SPRING | | 1 | 1 |
| 15 | 522 51 77-01 | LEVER | | 1 | 1 |
| 17 | 503 48 18-01 | SCREW | | 3 | 1 |
| 18 | 504 62 77-01 | CHOKE VALVE | | 1 | 1 |
| 19 | 522 51 83-01 | SHAFT ASSY | | 1 | 1 |
| 20 | 502 07 84-01 | SCREW | | 1 | 1 |
| 21 | 522 51 78-01 | THROTTLE LEVER | | 1 | 1 |
| 23 | 522 51 85-01 | THROTTLE SHAFT | | 1 | 1 |
| 24 | 502 07 87-01 | SPRING | | 1 | 1 |
| 25 | 502 07 98-01 | COLLAR | | 1 | 1 |
| 26 | 503 53 57-01 | STRAINER | | 1 | 1 |
| 27 | 537 38 31-01 | DIAPHRAGM PUMP | | 1 | 1, 50 |
| 28 | 537 40 33-01 | DIAPHRAGM | | 1 | 1, 50 |
| 29 | 537 02 01-01 | GASKET | | 1 | 1, 50 |
| 30 | 575 54 43-01 | COVER | | 1 | 1 |
| 31 | 504 02 67-01 | CIRCLIP | | 1 | 1 |
| 32 | 503 47 90-01 | SCREW | | 1 | 1 |
| 33 | 522 51 76-01 | CHOKE LEVER | | 1 | 1 |
| 38 | 506 39 66-01 | SCREW | | 5 | |
| 39 | 522 51 81-01 | SCREW | | 1 | 1 |
| 41 | 537 38 52-01 | CLIP | | 1 | 1 |
| 42 | 522 51 80-01 | SCREW | | 2 | 1 |
| 43 | 575 54 44-01 | INLET | | 1 | 1 |
| 44 | 522 51 86-01 | SPRING | | 1 | 1 |
| 46 | 537 17 70-01 | VALVE | | 1 | 1 |
| 47 | 522 51 79-01 | ROD | | 1 | 1 |
| 48 | 522 51 82-01 | SHAFT ASSY | | 1 | 1 |
| 49 | 578 22 78-01 | THROTTLE VALVE ASSY | | 1 | 1 |
| 50 | 522 51 89-01 | KIT | B=set of gaskets | 1 | |



| Ref | Part No | Description | Remark | QTY KIT | |
|-----|--------------|---------------------|--------------------------|---------|----|
| 1 | 575 43 92-01 | TOOL | | 1 | |
| 2 | 522 52 11-01 | COMBINATION WRENCH | | 1 | 1 |
| 3 | 503 55 86-01 | SPANNER | | 1 | 1 |
| 4 | 503 55 86-02 | SPANNER | | 1 | 1 |
| 5 | 503 62 12-01 | GREASE | | 1 | 1 |
| 6 | 501 91 14-01 | GREASE GUN | | 1 | 1 |
| 7 | 583 89 71-01 | DIAGNOSTIC TOOL KIT | | 1 | |
| 8 | 576 18 34-01 | CABLE ASSY | Diagnostics cable 14 Mhz | 1 | 7 |
| 9 | 522 98 65-02 | WINTER KIT | | 1 | |
| 10 | 505 16 61-01 | WINTER COVER | | 1 | 9 |
| 11 | 503 40 59-01 | WINTER PLUG | | 1 | 9 |
| 12 | 503 21 70-16 | SCREW CCRPANT | | 2 | 9 |
| 13 | 740 42 01-00 | O-RING | | 2 | 9 |
| 14 | 577 01 40-03 | SPIKE OUTER | | 1 | |
| 15 | 575 79 35-01 | SCREW ITXPANM | | 2 | 14 |
| 16 | 577 96 25-01 | SPIKE OUTER | | 1 | 14 |
| 17 | 503 22 24-01 | LOCK NUT | | 2 | 14 |
| 18 | 578 12 55-01 | WINTER PLUG | | 1 | 9 |
| 19 | 574 88 98-01 | ENCLOSED KIT | | 1 | |
| 20 | 576 95 22-01 | CABLE ASSY | Diagnostics cable 8 MHz | 1 | 7 |
| 21 | 503 26 72-01 | GLUE | | 1 | |
| 22 | 575 88 07-01 | WRENCH | | 1 | |