

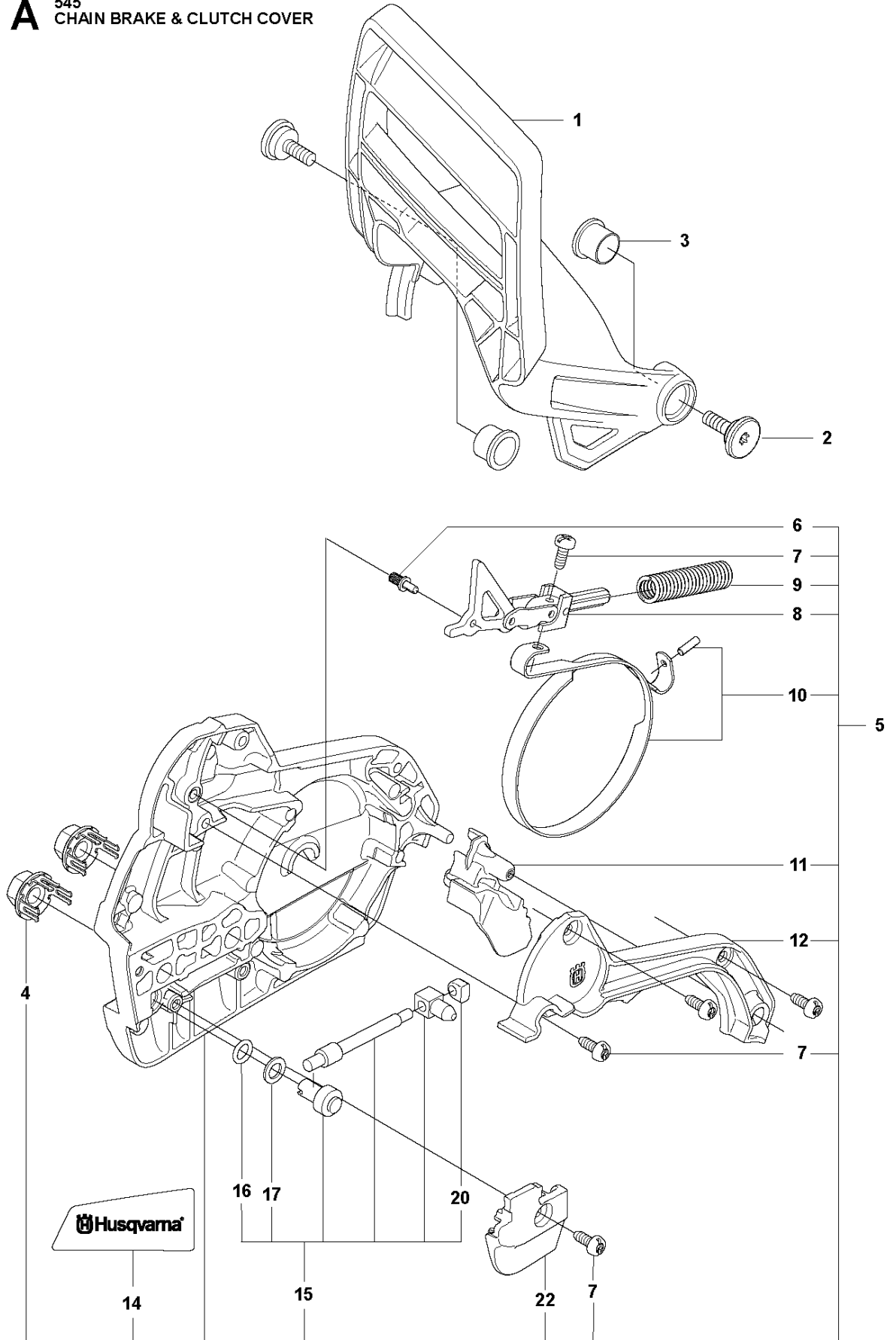


SPARE PARTS LIST

CHAIN SAWS

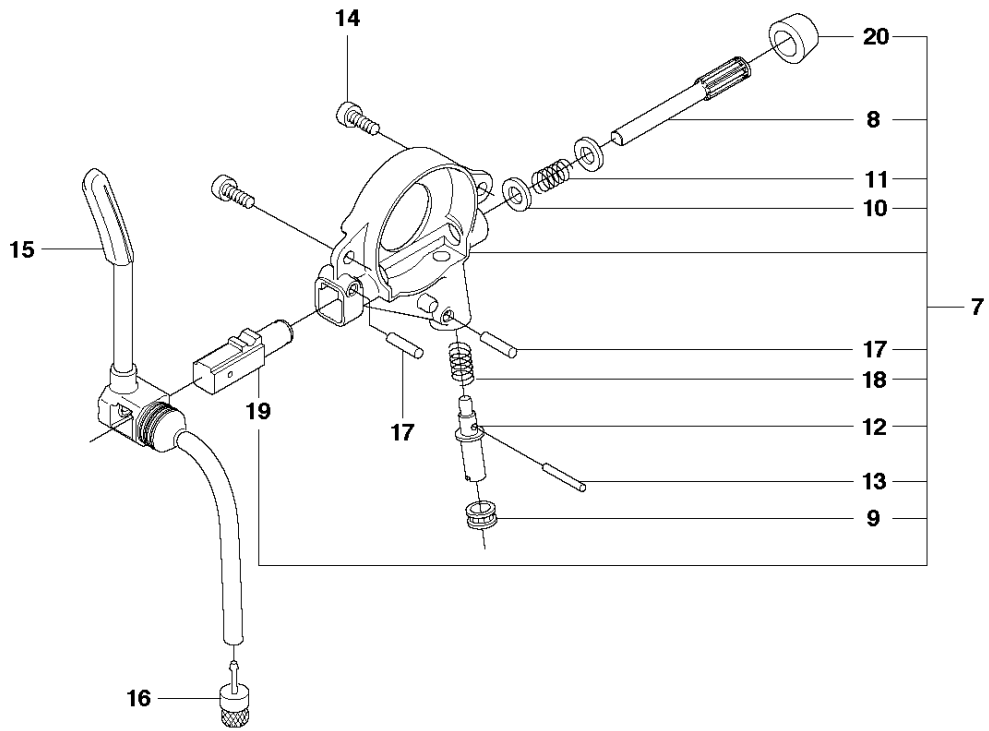
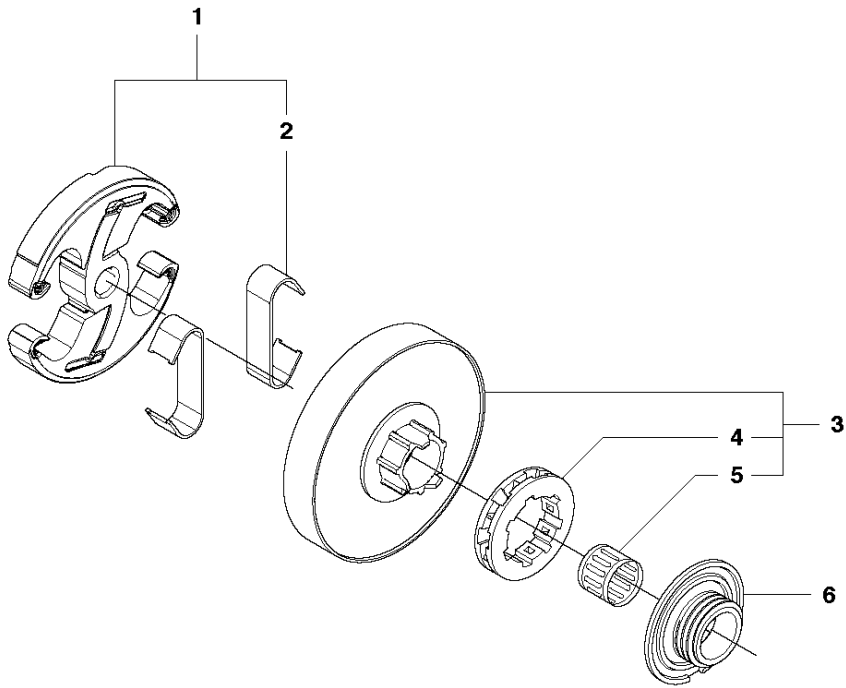
545

A 545
CHAIN BRAKE & CLUTCH COVER



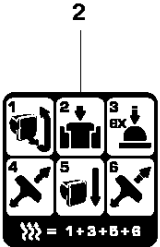
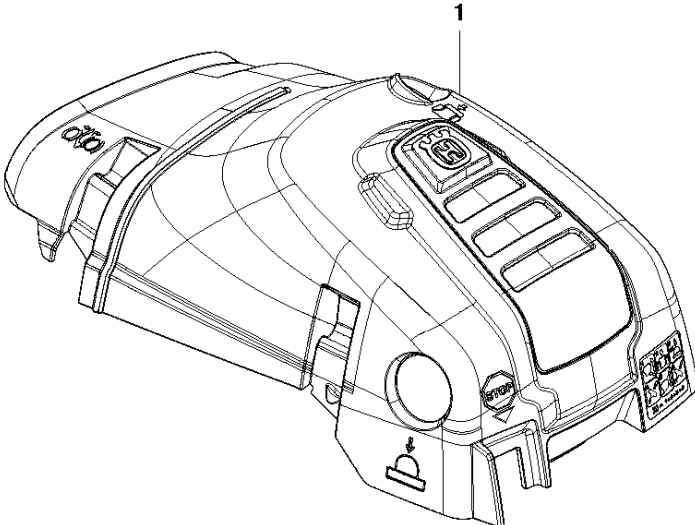
Ref	Part No	Description	Remark	QTY	KIT
1	522 67 75-01	HAND GUARD		1	
2	526 83 45-01	SCREW		2	
3	577 78 02-01	BUSHING		2	
4	505 19 73-01	NUT		2	
5	505 19 90-06	CLUTCH COVER ASSY		1	
6	503 75 18-01	PIN		1	5
7	526 22 18-01	SCREW CITXPANT		5	5
8	505 19 93-01	KNEE JOINT ASSY		1	5
9	503 90 83-01	BRAKE SPRING		1	5
10	505 19 95-02	BRAKE BAND ASSY		1	5
11	505 20 16-01	GUARD		1	5
12	505 19 97-01	COVER		1	5
14	523 05 80-01	LABEL		1	5
15	575 26 04-03	CHAIN TENSIONER KIT		1	5
16	740 48 07-02	O-RING		1	15, 5
17	503 23 00-63	WASHER		1	15, 5
20	537 01 74-01	BEARING SLEEVE		1	15, 5
22	505 19 98-01	CHAIN GUIDE		1	5

B 545
CLUTCH & OIL PUMP



Ref	Part No	Description	Remark	QTY	KIT
1	577 51 82-01	CLUTCH ASSY		1	
2	537 35 91-01	CLUTCH SPRING		3	1
3	575 26 10-05	CLUTCH DRUM ASSY	".325""x7"	1	
4	501 45 74-02	RIM	".325""x7"	1	3
5	503 25 34-01	NEEDLE BEARING		1	3
6	505 20 08-01	WORM WHEEL		1	
7	505 19 99-04	OIL PUMP ASSY		1	
8	505 20 02-01	PUMP PISTON		1	7
9	505 20 03-01	CASING		1	7
10	503 23 00-60	WASHER		2	7
11	503 89 16-01	SPRING		1	7
12	505 15 70-01	ADJUSTMENT SCREW		1	7
13	721 11 64-30	GROOVED PIN		1	7, 12
14	526 81 81-01	SCREW ITXSCM		2	
15	505 20 04-01	OIL HOSE		1	
16	504 71 00-03	OIL PLUMMET		1	
17	720 12 33-00	PARALLEL PIN		2	7
18	503 89 15-01	SPRING		1	7
19	505 20 01-01	PUMP CYLINDER		1	7
20	503 62 49-01	SEALING PLUG		1	7

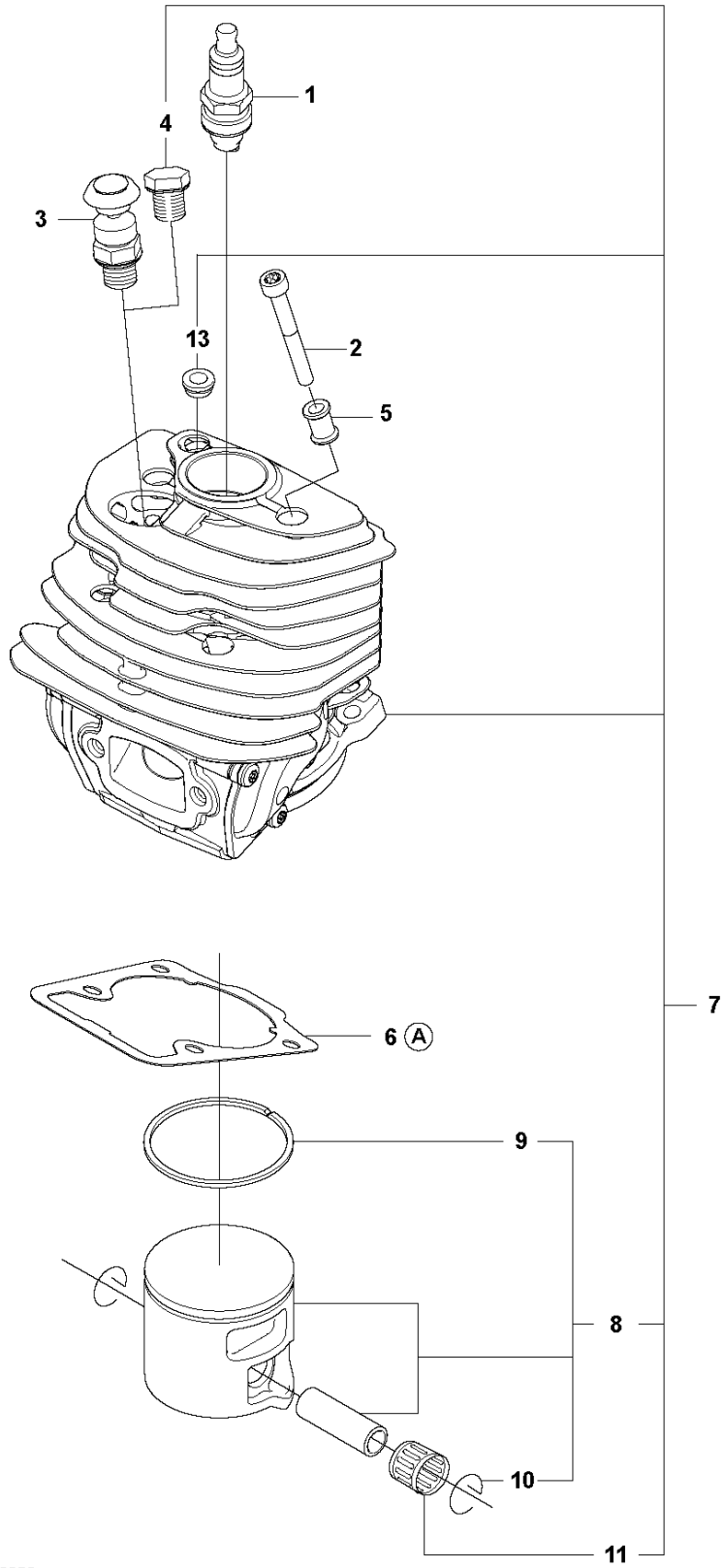
C 545
CYLINDER COVER



CYLINDER COVER

Ref	Part No	Description	Remark	QTY	KIT
1	587 24 86-04	CYLINDER COVER ASSY		1	
2	587 14 95-01	LABEL		1	1

D 545
CYLINDER PISTON



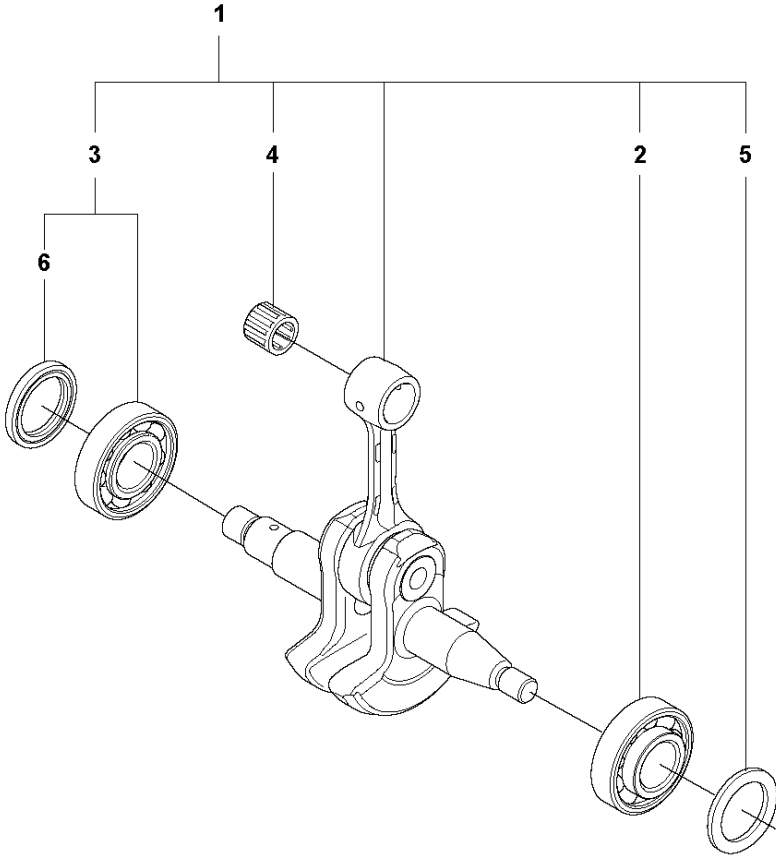
12
Ⓐ Set of gaskets

CYLINDER PISTON

545

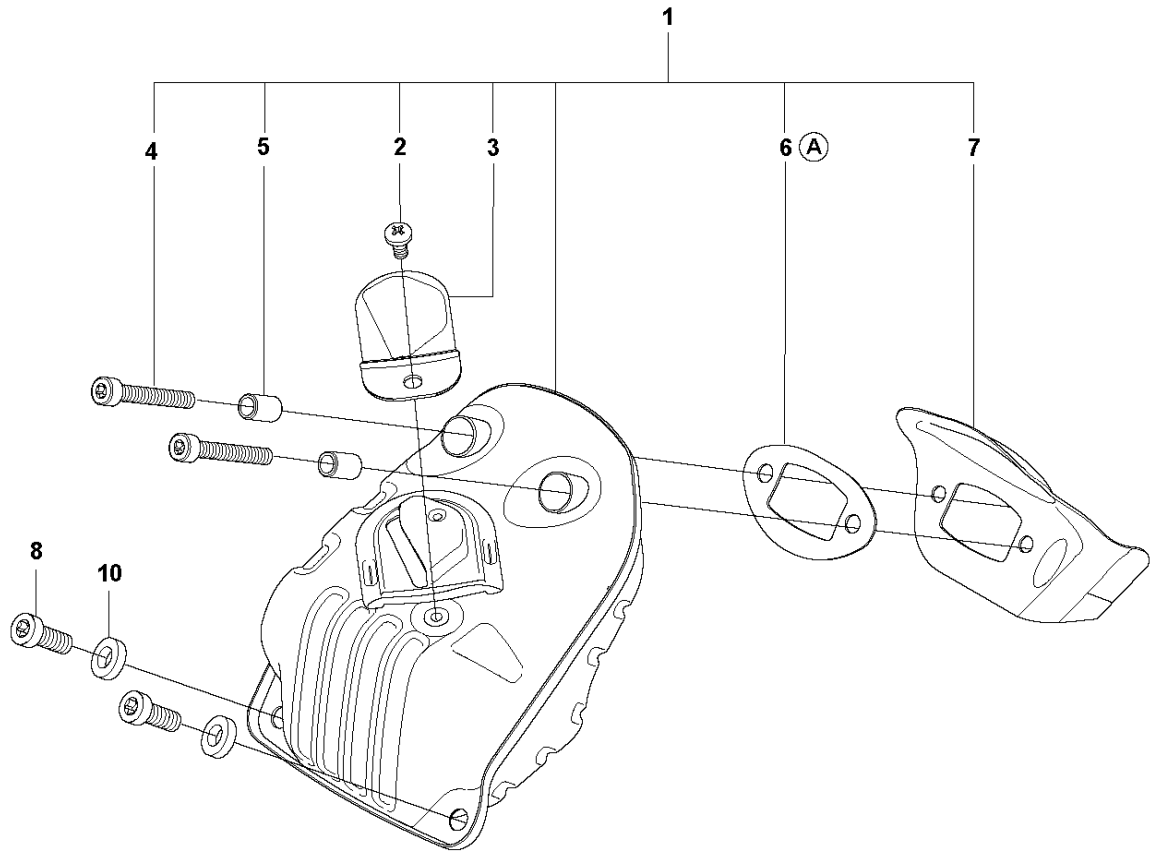
Ref	Part No	Description	Remark	QTY	KIT
1	574 51 96-01	SPARK PLUG		1	
2	582 39 27-01	SCREW		4	
3	575 27 69-01	DECOMPRESSION VALVE		1	
4	503 55 22-01	PLUG		1	
5	576 71 76-02	SLEEVE		4	
6	525 31 58-01	GASKET		1	12
7	577 76 47-08	CYLINDER ASSY		1	
8	577 04 70-08	PISTON ASSY		1	7
9	577 95 83-01	PISTON RING		1	8, 7
10	737 44 10-00	SNAP RING		2	8, 7
11	503 25 63-02	NEEDLE BEARING		1	7
12	577 76 66-03	GASKET KIT	A=Set of gaskets - Up to s/n 20182000120.	1	
12	577 76 66-04	GASKET KIT	A=Set of gaskets From s/n 20182000121 -	1	
13	520 29 11-01	BUSHING			7

E 545
CRANKSHAFT



Ref	Part No	Description	Remark	QTY KIT	
1	577 76 73-10	CRANKSHAFT ASSY		1	
2	505 13 35-03	BALL BEARING		2	1
3	525 43 42-03	BALL BEARING		1	1
4	503 25 63-02	NEEDLE BEARING		1	1
5	525 39 12-01	RADIAL SEAL		2	1
6	505 41 61-01	RADIAL SEAL		1	1, 3

F 545
MUFFLER



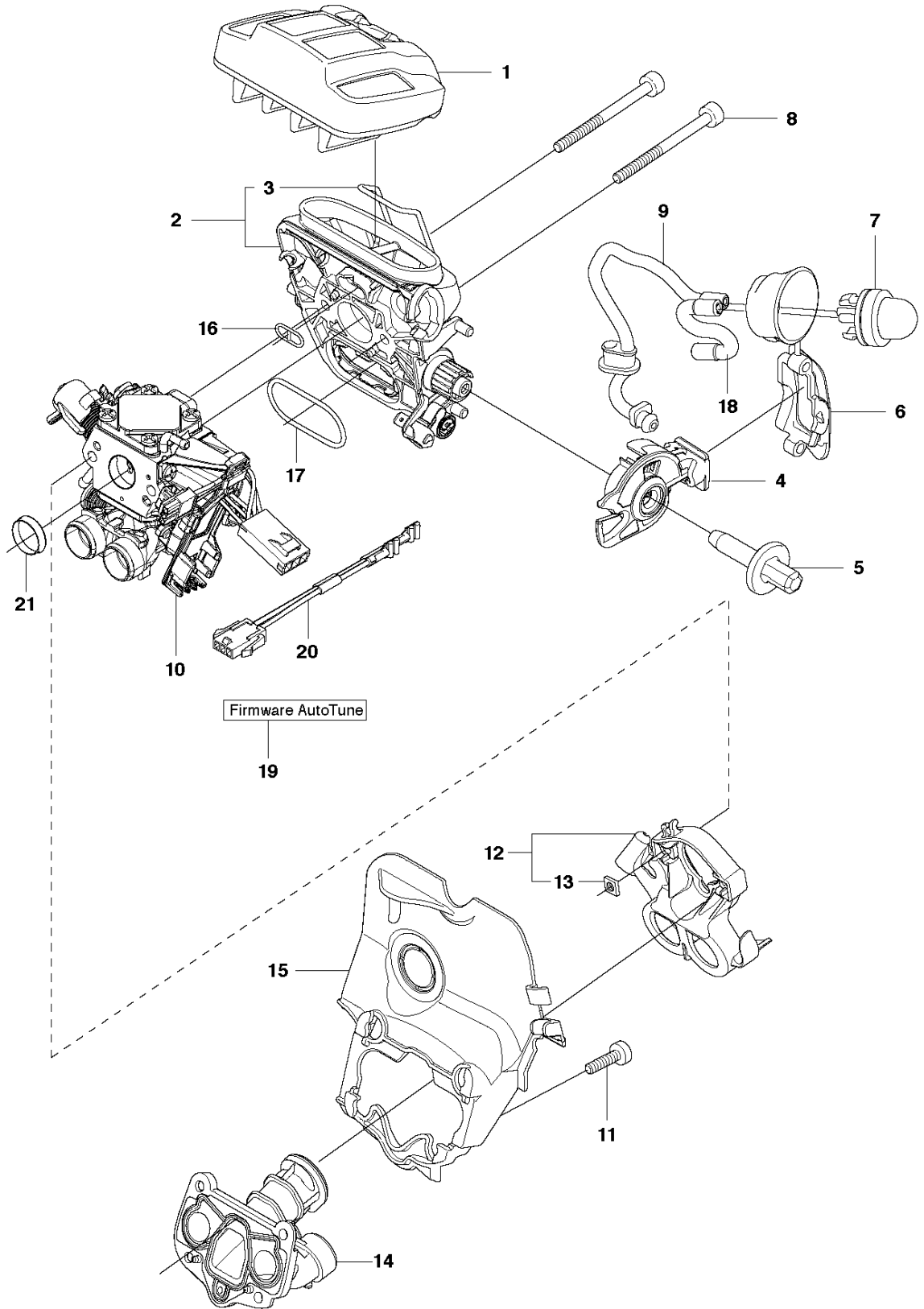
9
Ⓐ Set of gaskets

MUFFLER

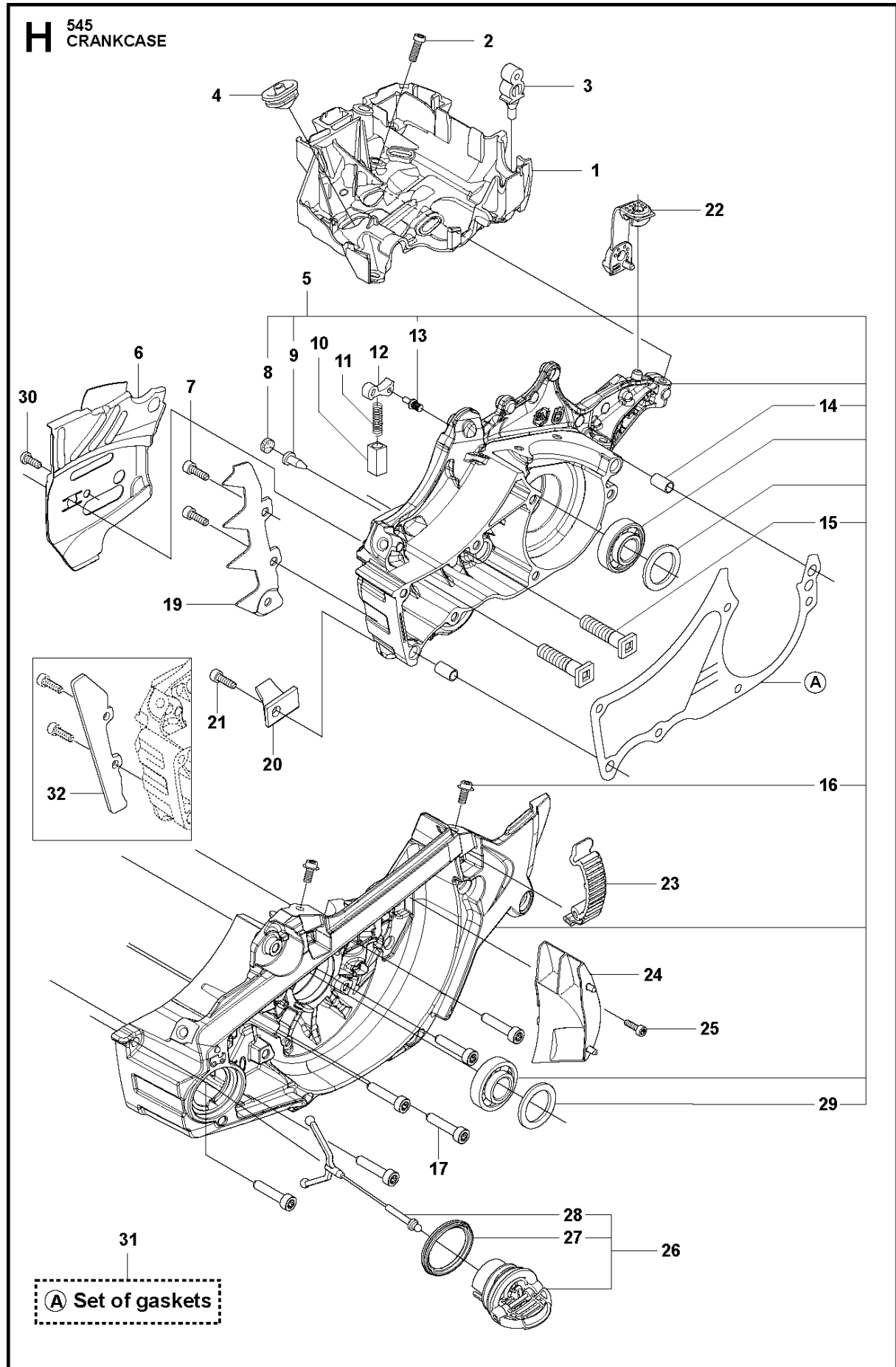
545

Ref	Part No	Description	Remark	QTY	KIT
1	523 05 26-04	MUFFLER KIT		1	
2	724 12 87-59	SCREW CRPANM		1	1
3	576 89 02-01	SPARK ARRESTER		1	1
4	525 82 51-04	SCREW ITXSCM		2	1
5	577 65 63-01	SLEEVE		2	1
6	523 05 24-01	GASKET		1	1, 9
7	523 05 25-01	HEAT DEFLECTOR		1	1
8	525 76 25-01	SCREW ITXSCM		2	
9	577 76 66-03	GASKET KIT	A=Set of gaskets - Up to s/n 20182000120.	1	
9	577 76 66-04	GASKET KIT	A=Set of gaskets From s/n 20182000121 -	1	
10	577 90 22-01	WASHER		1	

G 545
CARBURETOR & AIR FILTER

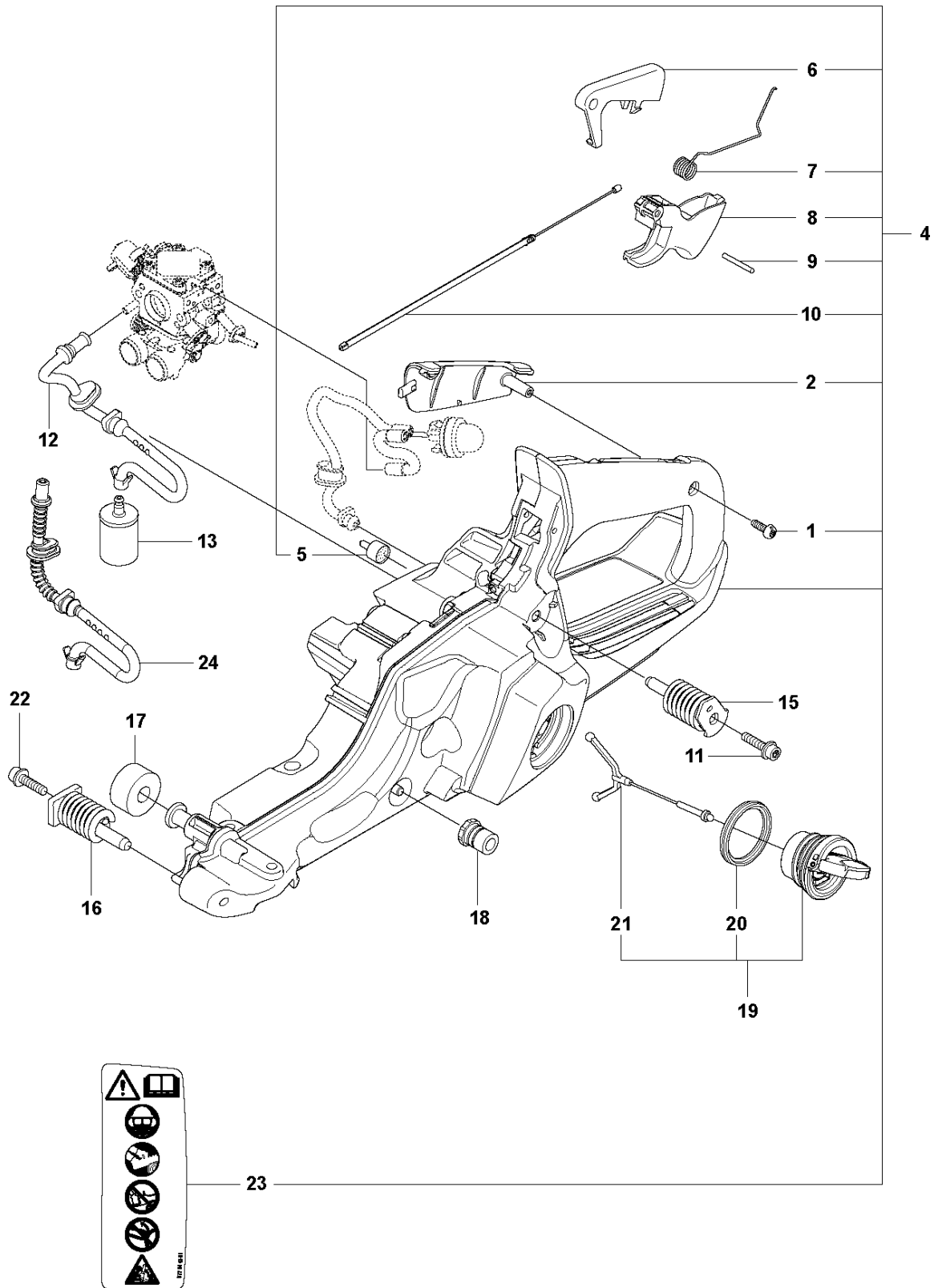


Ref	Part No	Description	Remark	QTY	KIT
1	522 67 54-04	AIR FILTER ASSY	NYLON 80 µm black	1	
1	522 67 54-05	AIR FILTER ASSY	NYLON 44 µm yellow	1	
1	522 67 54-06	AIR FILTER ASSY	FELT white	1	
1	522 67 54-07	AIR FILTER ASSY	NYLON 25 µm orange	1	
2	574 19 89-03	FILTER HOLDER ASSY		1	
3	522 90 73-01	SHACKLE		1	2
4	510 01 72-02	CHOKE CONTROL ASSY		1	
5	505 15 62-01	SCREW		1	
6	525 58 81-01	SEALING		1	
7	503 93 66-01	PURGE		1	
8	574 35 35-03	SCREW ITXSCM		2	
9	587 64 54-04	VENTILATING HOSE	From s/n 20153900097	1	9
9	589 35 71-01	VENTILATING HOSE	Up to s/n 20153900096	1	
10	587 08 48-07	CARBURETTOR KIT	AT-7C	1	
11	526 81 81-01	SCREW ITXSCM		4	
12	523 06 40-02	FLANGE		1	
13	503 22 65-03	SQUARE NUT		2	12
14	525 50 00-03	INLET PIPE ASSY		1	
15	522 95 10-01	INTERMEDIATE WALL		1	
16	525 61 92-01	SEALING		1	
17	525 61 90-01	SEALING		1	
18	523 05 68-01	FUEL HOSE		1	
19	.	TBD	Download from your local supportsite	1	
20	577 53 64-01	WIRING ASSY		1	
21	585 19 50-01	SUPPORT SLEEVE		1	



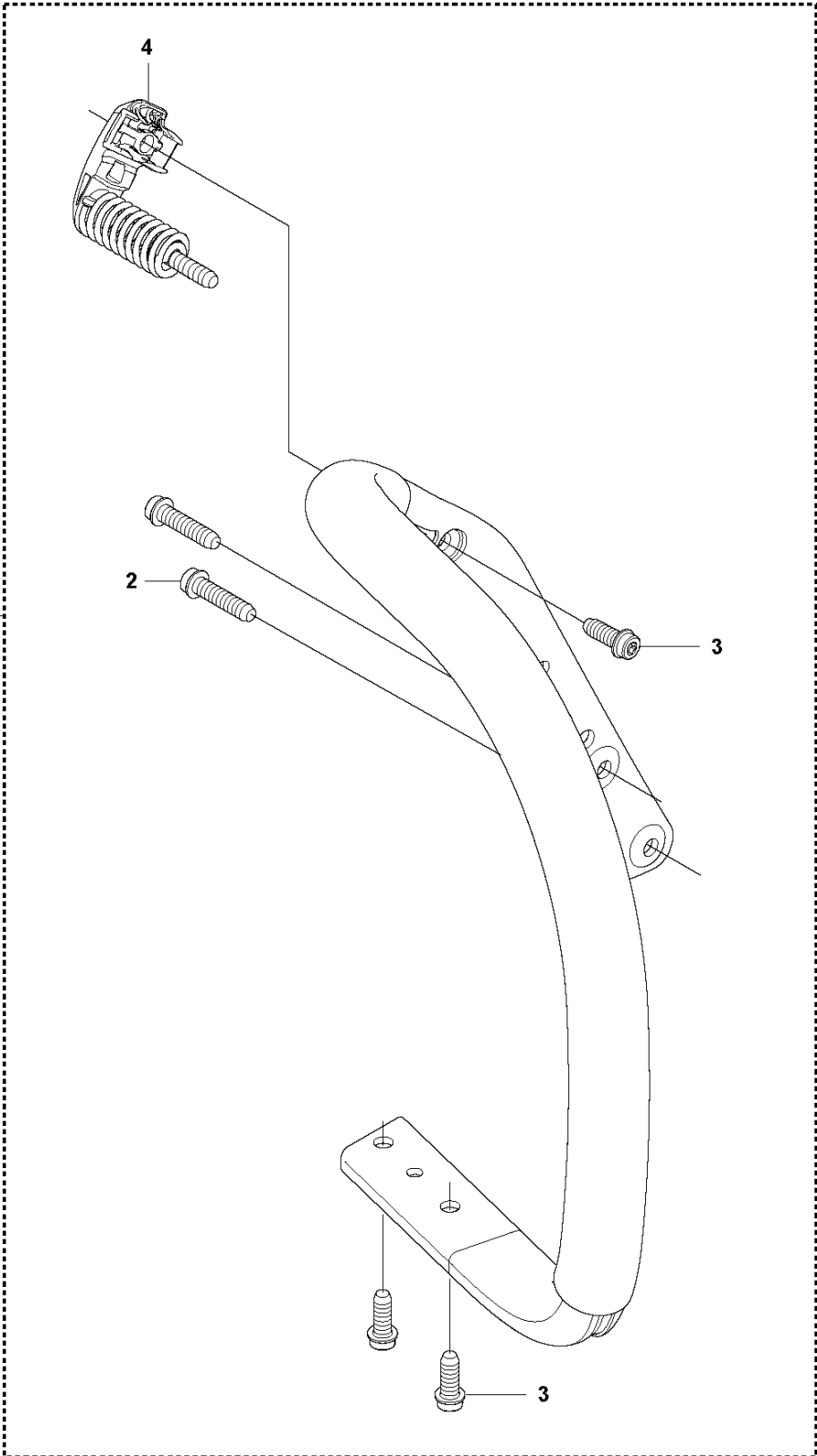
Ref	Part No	Description	Remark	QTY	KIT
1	525 40 32-01	CARBURETTOR		1	
2	525 75 52-02	SCREW ITXSCFM		4	
3	503 86 93-01	SUPPORT		2	
4	581 55 92-01	BELLOWS		1	
5	577 83 47-14	CRANKCASE ASSY		1	
6	522 74 28-01	CHAIN GUIDE PLATE		1	
7	575 79 35-01	SCREW ITXPANM		2	
8	537 40 35-01	FILTER		1	5
9	530 02 61-19	CHECK VALVE		1	5
10	537 21 07-01	SPRING GUIDE		1	
11	503 43 65-01	POSITION SPRING		1	
12	505 20 12-01	CATCH		1	
13	503 75 18-01	PIN		1	5
14	501 27 08-01	GUIDE BUSHING		2	5
15	505 21 73-01	BAR BOLT		2	5
16	525 82 44-01	SCREW ITXSCM		2	5
17	575 84 11-04	SCREW ITXSCM		6	
19	578 40 05-01	SPIKE		1	
20	537 37 79-02	CHAIN CATCHER		1	
21	525 79 81-03	SCREW ITXSFT		1	
22	505 12 58-01	DEFLECTION LIMITER		1	
23	503 89 47-01	SNAP LOCKING		3	
24	588 05 92-01	AIR NOZZLE		1	
25	526 81 81-01	SCREW ITXSCM		1	
26	577 87 86-03	TANK CAP ASSY		1	
27	589 24 13-01	GASKET		1	26
28	503 57 89-01	HOLDER		1	26
29	525 39 12-01	RADIAL SEAL		1	5
30	525 88 74-01	SCREW CITXPANT		1	
31	577 76 66-03	GASKET KIT	A=Set of gaskets - Up to s/n 20182000120.	1	
31	577 76 66-04	GASKET KIT	A=Set of gaskets From s/n 20182000121 -	1	
32	577 88 72-01	ENCLOSED KIT		1	

J 545
FUEL TANK

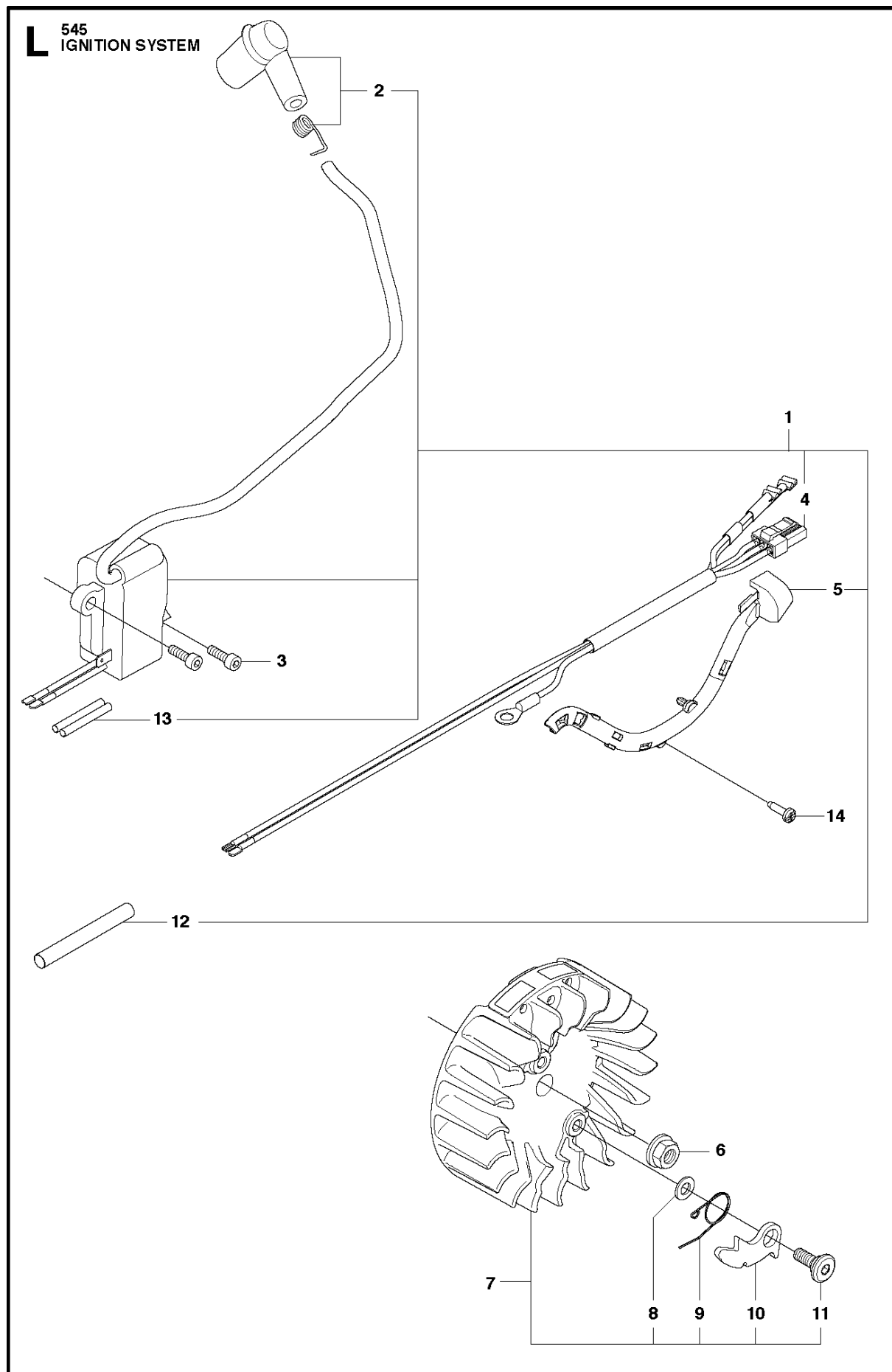


Ref	Part No	Description	Remark	QTY	KIT
1	525 88 74-01	SCREW CITXPANT		1	4
2	504 10 63-01	HANDLE INSERT		1	4
4	577 79 02-03	FUEL TANK ASSY		1	
5	501 15 29-01	TANK VENT ASSY		1	4
6	544 09 98-01	THROTTLE LOCKOUT		1	4
7	544 09 99-01	SPRING		1	4
8	505 15 77-01	THROTTLE		1	4
9	720 18 25-20	PARALLEL PIN		1	4
10	579 48 24-01	THROTTLE CABLE ASSY		1	4
11	525 79 81-02	SCREW ITXSCFT		1	
12	573 99 35-03	FUEL HOSE	Up to AT-7A	1	
13	503 44 32-01	FUEL FILTER		1	
15	578 22 74-03	ANTIVIBRATION ELEMENT		1	
16	505 12 87-02	ANTIVIBRATION ELEMENT		1	
17	523 08 55-01	DEFLECTION LIMITER		1	
18	501 00 76-01	SUPPORT		1	
19	522 62 00-03	TANK CAP ASSY		1	
20	589 24 11-01	GASKET		1	19
21	503 57 89-01	HOLDER		1	19
22	525 79 81-03	SCREW ITXSCFT		1	
23	577 84 43-01	DECAL		1	4
24	577 50 41-01	FUEL HOSE	From AT-7B	1	

K 545
HANDLE

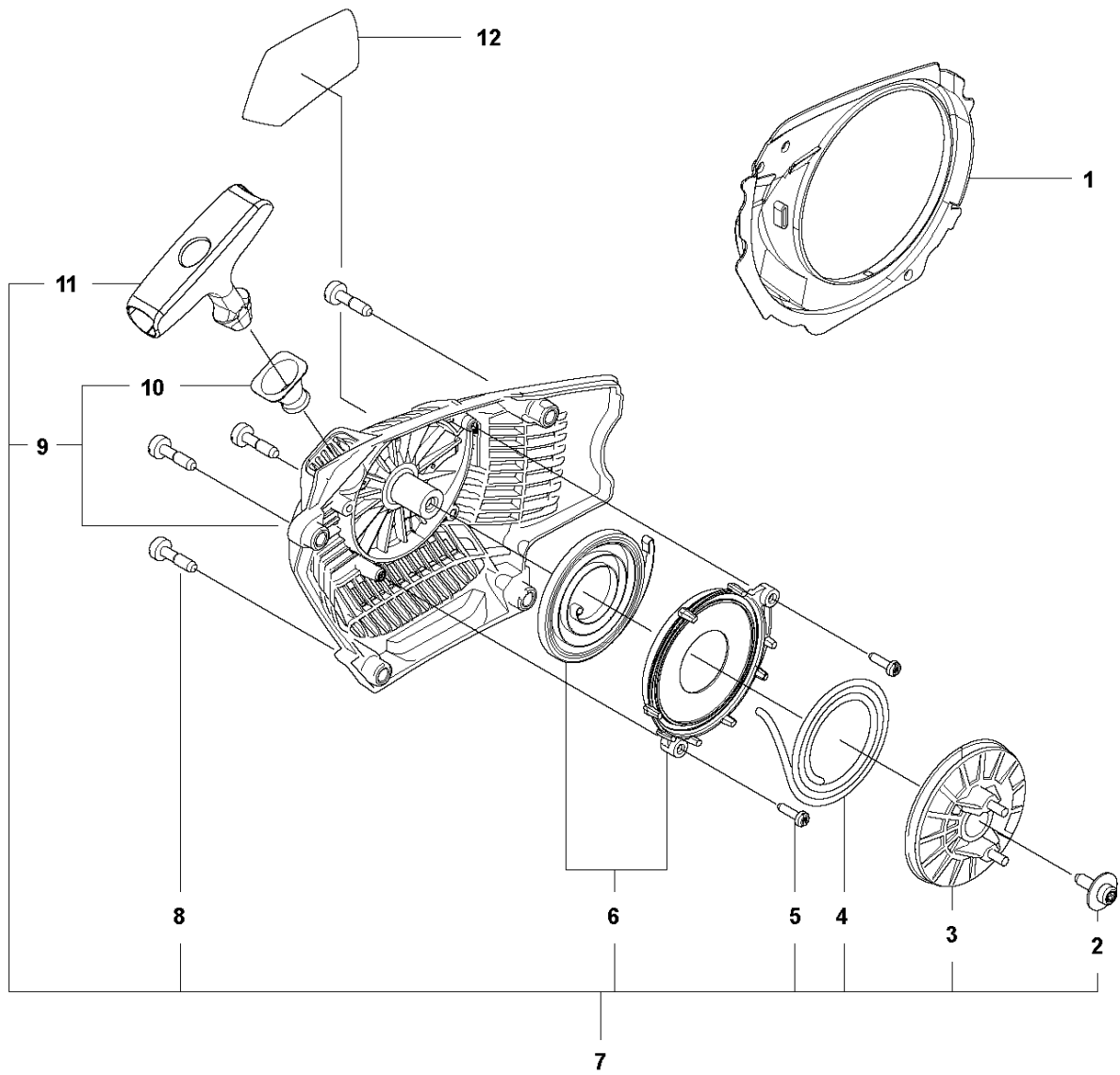


Ref	Part No	Description	Remark	QTY KIT	
1	577 79 82-03	FRONT HANDLE		1	
2	525 79 81-03	SCREW ITXSCFT		2	1
3	525 79 81-01	SCREW ITXSCFT		4	1
4	522 95 15-07	ANTIVIBRATION ELEMENT		1	1

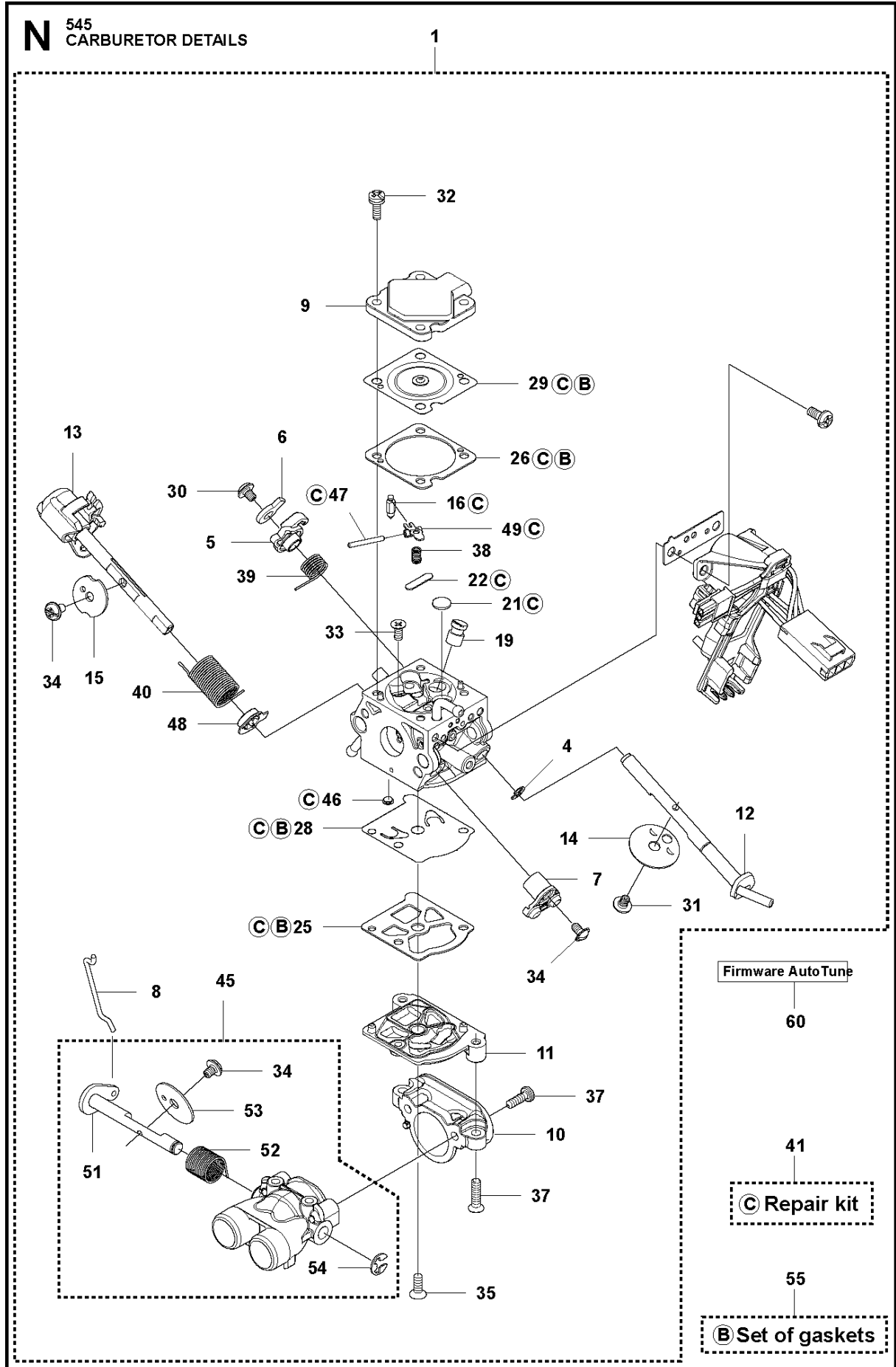


Ref	Part No	Description	Remark	QTY	KIT
1	581 72 37-02	IGNITION MODULE ASSY		1	
2	501 48 54-04	SPARK PLUG CAP ASSY		1	1
3	525 75 52-03	SCREW ITXSCFM		2	
4	577 96 76-02	WIRING ASSY		1	1
5	529 29 26-01	CABLE HOLDER		1	1
6	503 22 04-01	NUT		1	
7	522 93 78-03	FLYWHEEL ASSY		1	
8	503 23 00-42	WASHER		2	7
9	501 67 35-01	SPRING		2	7
10	501 67 32-01	PAWL		2	7
11	506 00 69-01	SCREW		2	7
12	504 04 35-05	CABLE COVER		1	1
13	503 23 85-01	SHRINKAGE HOSE		2	1
14	525 88 74-01	SCREW CITXPANT		1	

M 545
STARTER

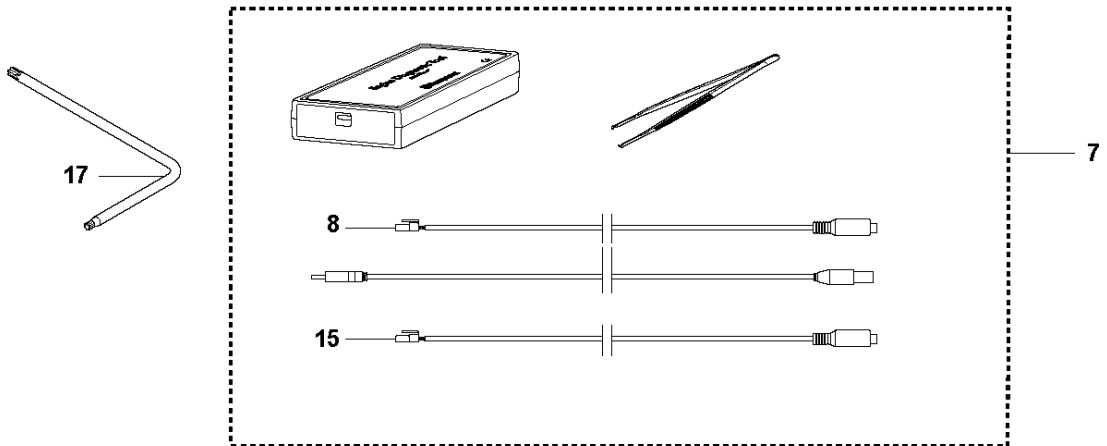
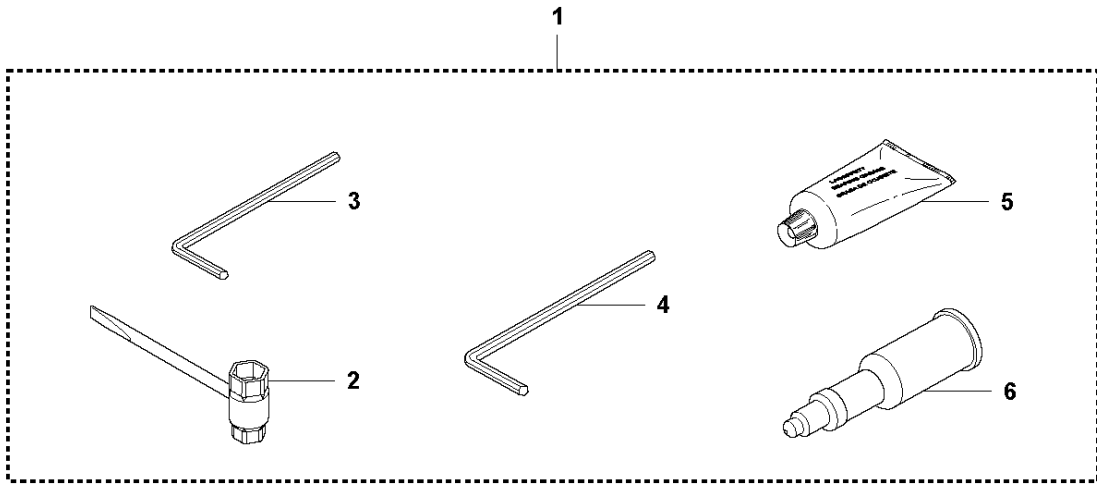


Ref	Part No	Description	Remark	QTY	KIT
1	522 79 62-01	AIR CONDUCTOR		1	
2	576 35 66-01	SCREW ITXSCT		1	7
3	505 15 81-01	STARTER PULLEY ASSY		1	7
4	505 30 51-25	STARTER CORD		1	7
5	525 88 74-01	SCREW CITXPANT		2	7
6	505 15 79-02	SPRING CASSETTE ASSY		1	7
7	588 41 51-03	STARTER ASSY		1	
8	525 82 45-01	SCREW CITXPANMO		4	7
9	588 41 50-02	STARTER HOUSING		1	7
10	537 28 32-01	SLEEVE		1	7,9
11	537 23 25-01	STARTER HANDLE		1	7
12	523 08 32-01	LABEL		1	

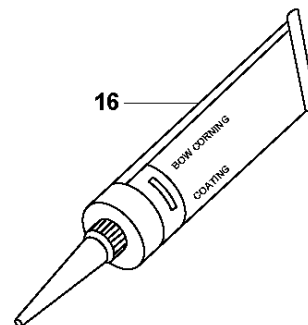
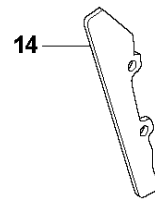
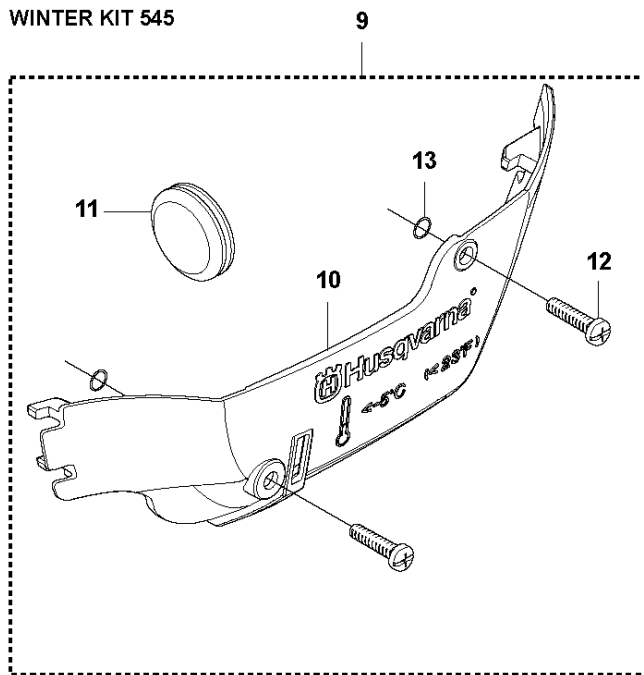


Ref	Part No	Description	Remark	QTY	KIT
1	587 08 48-07	CARBURETTOR KIT	AT-7C	1	
4	577 26 29-01	RETAINER		1	1
5	574 35 77-01	LEVER		1	1
6	576 61 85-01	LEVER		1	1
7	577 21 92-01	THROTTLE LEVER ASSY		1	1
8	574 35 79-01	LINK		1	1
9	574 35 81-01	COVER		1	1
10	575 79 48-01	INLET		1	1
11	575 79 47-01	COVER		1	1
12	574 35 84-01	SHAFT ASSY		1	1
13	574 35 82-01	SHAFT		1	1
14	574 35 85-01	VALVE		1	1
15	574 35 75-01	VALVE		1	1
16	503 56 34-01	NEEDLE VALVE		1	1
19	576 61 88-01	NOZZLE ASSY		1	
21	504 79 08-01	PLUG		1	1
22	502 84 69-01	PLUG		1	1
25	504 13 09-06	GASKET		1	1
26	574 35 86-01	GASKET		1	1
28	577 01 66-01	DIAPHRAGM		1	1
29	587 07 16-01	DIAPHRAGM		1	1
30	501 46 87-01	SCREW		1	1
31	537 00 34-01	SCREW		1	1
32	537 00 31-01	SCREW		4	1
33	502 84 71-01	SCREW		1	1
34	544 11 15-01	SCREW		2	1
35	574 35 90-01	SCREW		1	1
37	576 61 89-01	SCREW		4	1
38	503 56 24-01	SPRING		1	1
39	574 35 93-01	SPRING		1	1
40	574 35 94-01	SPRING		1	1
41	577 66 61-01	REPAIR KIT	- Up to s/n 20182399999	1	
45	579 32 31-01	THROTTLE VALVE ASSY		1	1
46	501 66 61-01	SCREEN		1	1
47	505 52 01-25	PIN		1	1
48	574 35 96-01	BUSHING		1	1
49	502 84 74-01	LEVER		1	1
51	586 76 74-01	SHAFT ASSY		1	1
52	574 35 76-01	SPRING		1	1
53	576 61 90-01	VALVE		1	1
54	503 79 95-01	RETAINER RING		1	1
55	576 66 65-01	GASKET KIT	- Up to s/n 20182399999	1	
55	596 57 08-01	DIAPHRAGM ASSY	From s/n 20182400001- For AT-7C.	1	
60	.	TBD	Download from your local supportsite	1	

P 545
ACCESSORIES



WINTER KIT 545



Ref	Part No	Description	Remark	QTY KIT	
1	575 43 92-01	TOOL		1	
2	522 52 11-01	COMBINATION WRENCH		1	1
3	503 55 86-01	SPANNER		1	1
4	503 55 86-02	SPANNER		1	1
5	503 62 12-01	GREASE		1	1
6	501 91 14-01	GREASE GUN		1	1
7	583 89 71-01	DIAGNOSTIC TOOL KIT	Engine diagnostic tool	1	
8	576 18 34-01	CABLE ASSY	Diagnostics cable	1	7
9	522 98 66-01	WINTER KIT		1	
10	525 55 80-02	WINTER COVER		1	9
11	578 12 55-01	WINTER PLUG		1	9
12	503 21 70-16	SCREW CCRPANT		2	9
13	740 42 01-00	O-RING		2	9
14	577 88 72-01	ENCLOSED KIT		1	
15	576 95 22-01	CABLE ASSY	Diagnostics cable 545	1	7
16	503 26 72-01	GLUE		1	
17	575 88 07-01	WRENCH		1	