



SPARE PARTS LIST

CHAIN SAWS

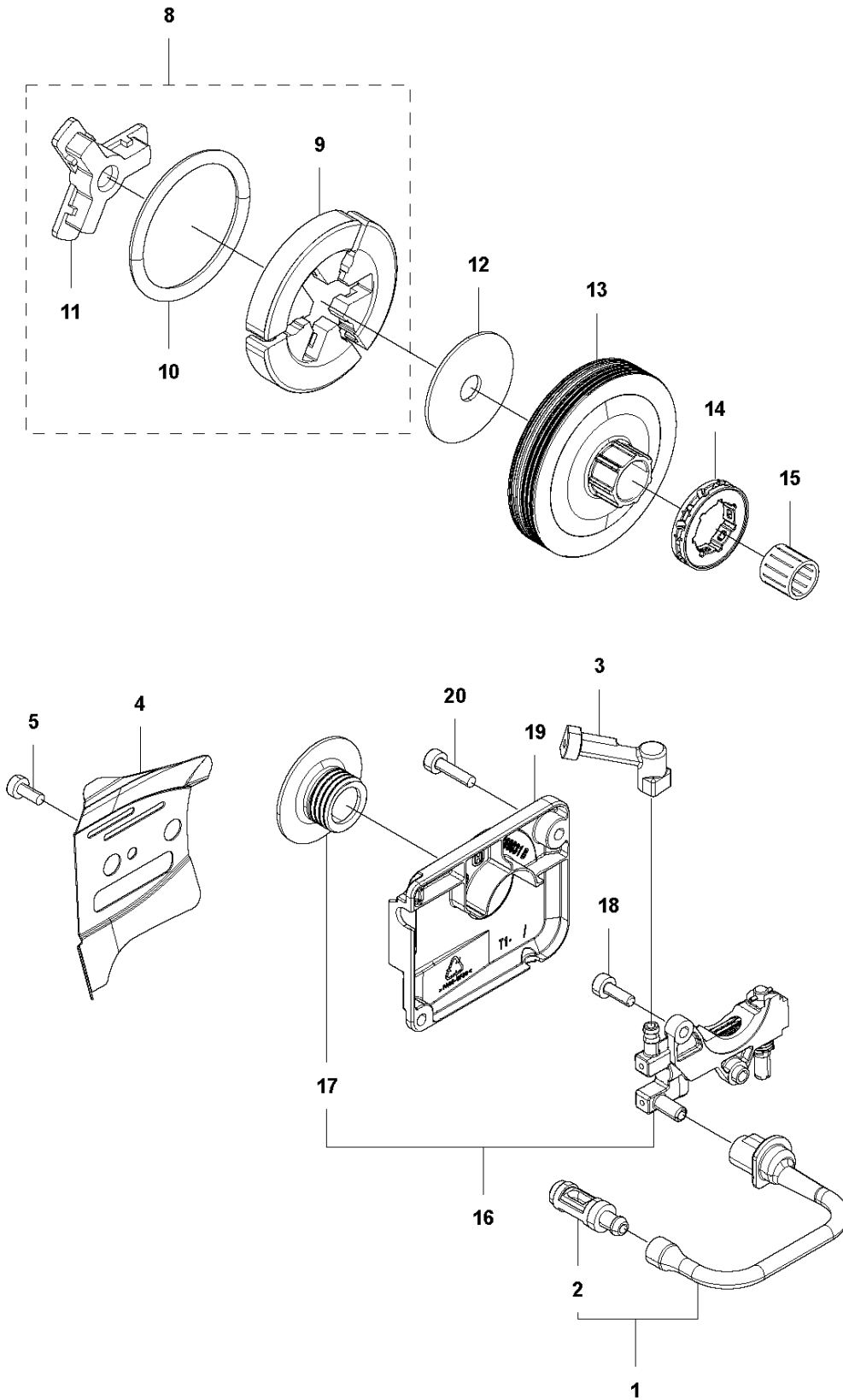
543 XPG

CHAIN BRAKE & CLUTCH COVER

543 XPG

Ref	Part No	Description	Remark	QTY	KIT
1	577 43 38-01	CLUTCH COVER ASSY		1	
2	577 43 39-01	CLUTCH COVER		1	1
3	513 63 77-01	SCREW		1	1
4	513 70 14-01	NUT		1	1
5	513 63 79-01	GEAR		1	1
6	576 98 39-01	PLATE		1	1
7	576 98 41-01	SCREW	T4x10-T27	2	1
8	576 98 38-01	COVER LID		1	1
9	576 98 40-01	SCREW	T4x12-T27	2	1
10	576 98 35-01	BRAKE LEVER		1	1
11	577 00 82-01	PEN		1	1
12	579 19 02-01	RING		1	1
13	516 82 56-01	ARM		1	1
14	580 49 08-01	BRAKE BAND		1	1
15	521 07 54-01	ROLLER		1	1
16	516 82 66-01	BRAKE SPRING		1	1
17	513 96 59-01	SPRING		1	1
18	576 98 42-01	WEAR PROTECTION		1	1
19	575 96 08-01	NUT	M8xP1.25	2	
20	577 43 64-01	DECAL		1	
21	581 64 73-02	HAND GUARD		1	
22	576 98 45-01	SPRING		1	
23	576 98 46-01	CATCH		1	
24	576 98 49-01	SPACER		1	
25	576 98 50-01	WEAR PROTECTION		1	
26	529 26 81-01	BOLT	M5x9-T27	1	
27	513 24 94-01	WASHER		1	
28	576 98 52-01	SPACER		1	
29	526 83 45-01	SCREW		1	

B 543XP, 543XPG
CLUTCH & OIL PUMP

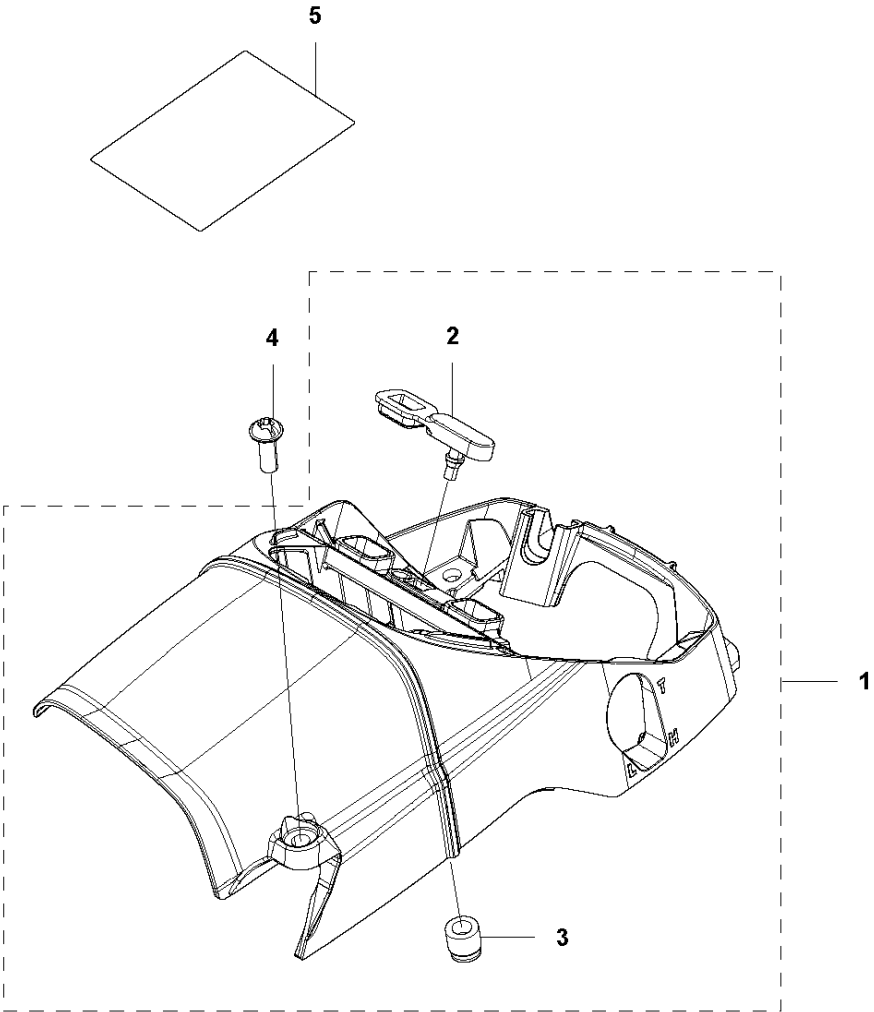


CLUTCH & OIL PUMP

543 XPG

Ref	Part No	Description	Remark	QTY	KIT
1	521 57 99-02	OIL PIPE		1	
2	521 58 00-01	FILTER		1	1
3	513 61 88-02	PIPE		1	
4	576 98 53-01	BAR MOUNT PLATE		1	
5	576 98 54-01	SCREW	M4x10-T27	1	
8	585 00 60-01	CLUTCH ASSY		1	
9	514 19 74-01	SHOE		3	8
10	585 00 61-01	CLUTCH SPRING		1	8
11	521 57 94-01	BOSS		1	8
12	513 62 57-01	PLATE		1	
13	513 95 61-01	DRUM	325P	1	
14	514 23 94-01	RIM		1	
15	513 70 12-01	BEARING		1	
16	521 58 65-01	OIL PUMP	325P	1	
17	511 19 45-01	WORM		1	16
18	506 74 57-01	BOLT	M4x16-T27	2	
19	576 98 31-01	PUMP COVER		1	
20	521 51 57-01	BOLT	M4x12-T27	2	

C 543XP, 543XPG
CYLINDER COVER

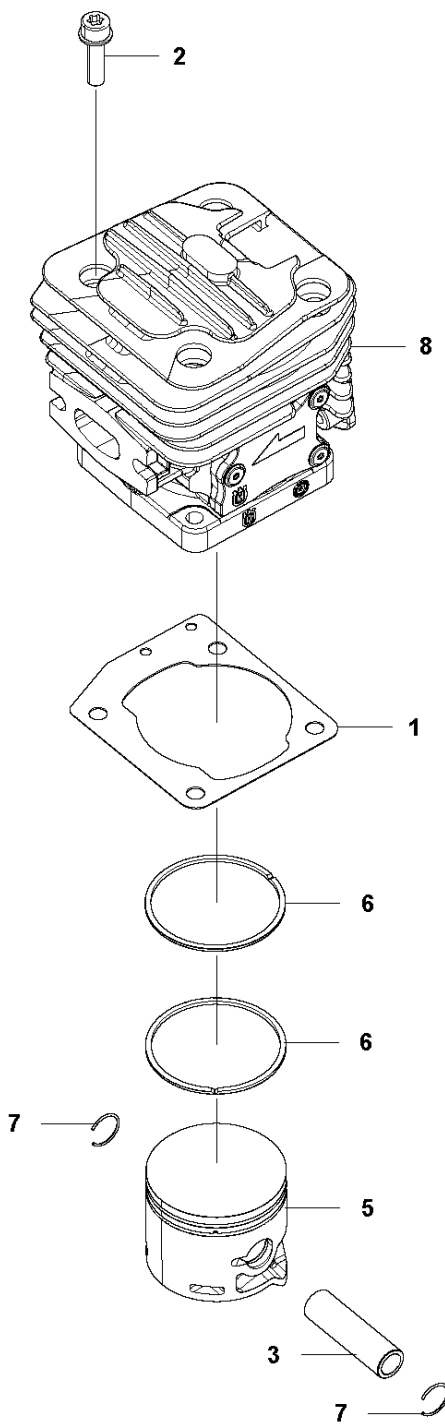


CYLINDER COVER

543 XPG

Ref	Part No	Description	Remark	QTY	KIT
1	577 43 77-02	CYLINDER COVER ASSY		1	
2	578 01 64-02	GROMMET		1	1
3	514 24 82-01	GROMMET		1	1
4	579 19 13-01	SCREW	M5x14-T27	4	
5	588 96 07-01	DECAL		1	

D 543XP, 543XPG
CYLINDER PISTON

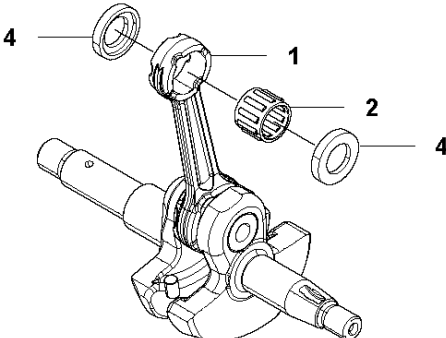


CYLINDER PISTON

543 XPG

Ref	Part No	Description	Remark	QTY KIT
1	576 97 70-01	GASKET		1
2	510 90 46-01	BOLT	M5x20-T27/P	4
3	512 48 49-01	PIN		1
5	581 75 59-01	PISTON		1
6	579 02 97-01	PISTON RING		2
7	516 28 30-01	RING		2
8	577 40 50-01	CYLINDER ASSY		1

E 543XP, 543XPG
CRANKSHAFT



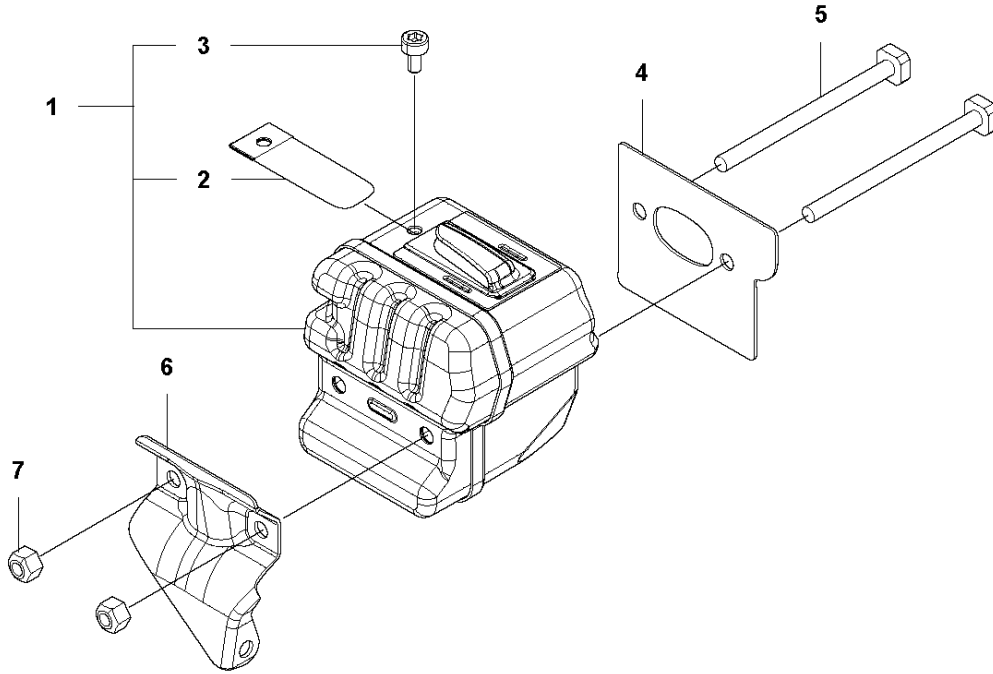
CRANKSHAFT

543 XPG

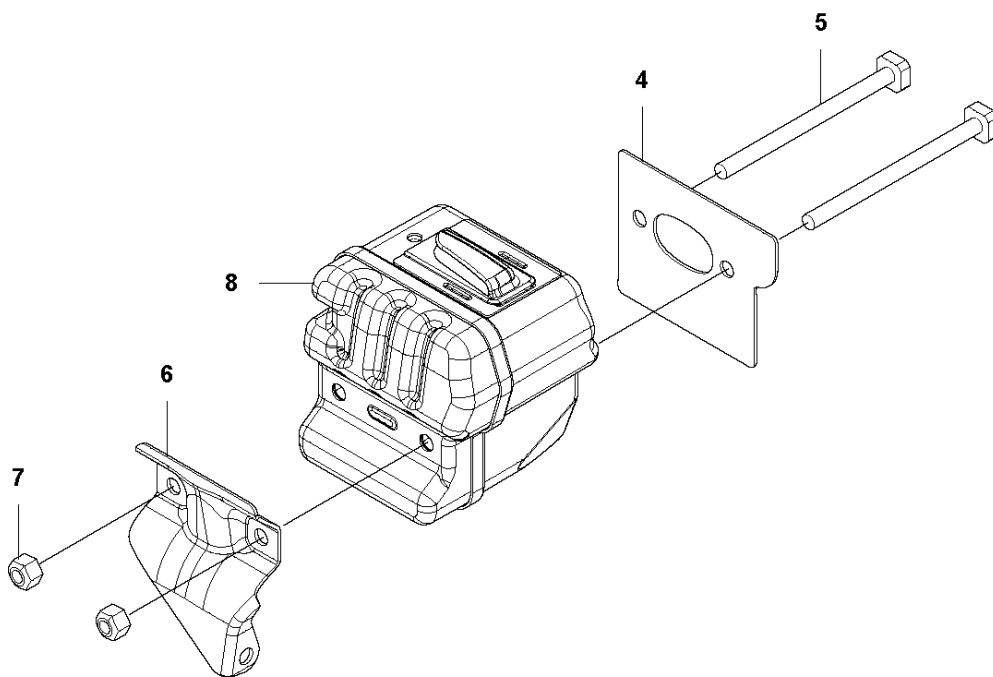
Ref	Part No	Description	Remark	QTY KIT
1	576 97 20-02	CRANKSHAFT ASSY		1
2	579 02 98-01	NEEDLE BEARING		1
4	513 75 24-01	WASHER		2

F 543XP, 543XPG
MUFFLER

FOR US/CAN ONLY



FOR EU/JAPAN ONLY

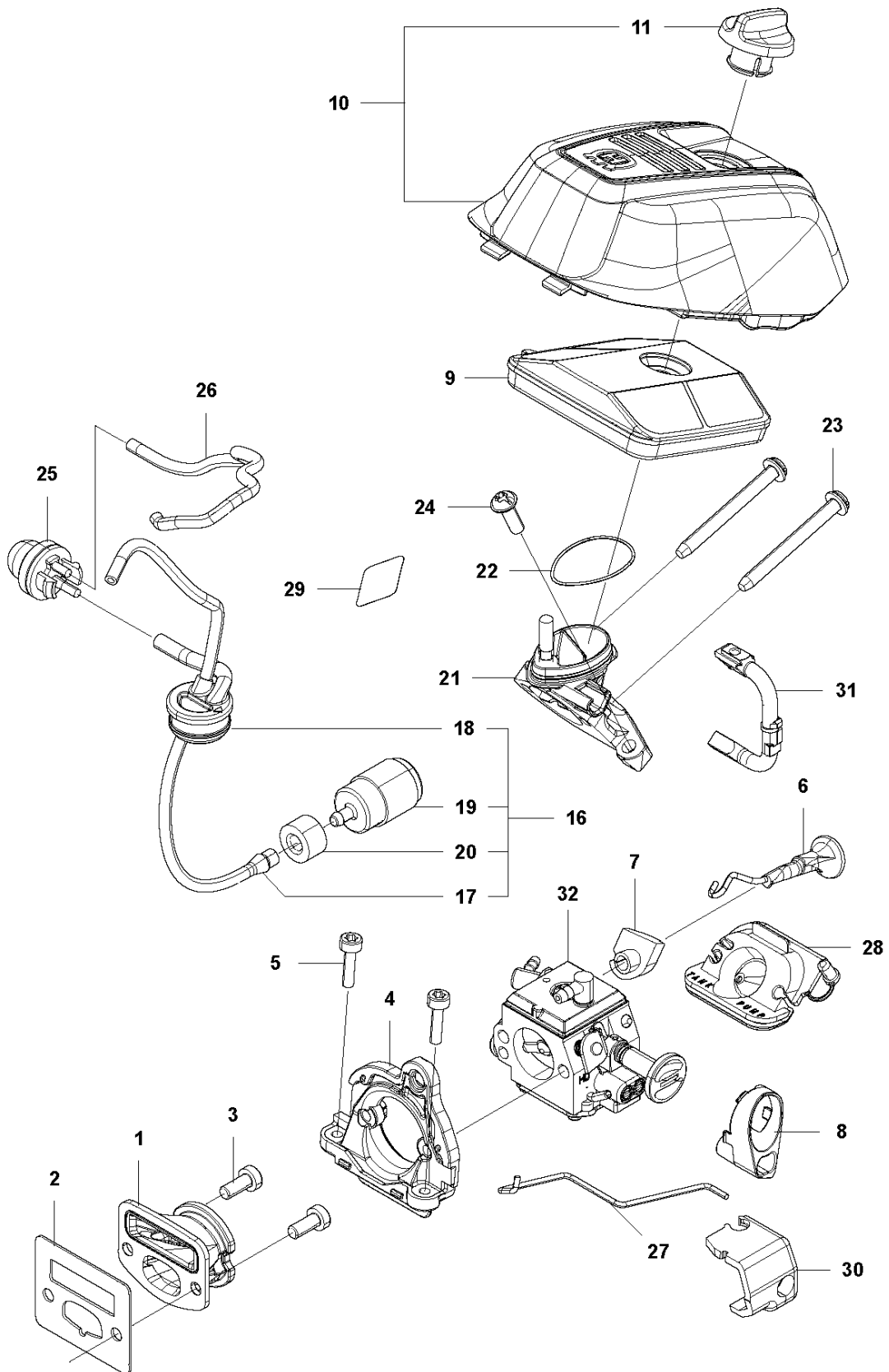


MUFFLER

543 XPG

Ref	Part No	Description	Remark	QTY	KIT
1	576 98 11-01	MUFFLER ASSY	For US/CAN only	1	
2	576 98 20-01	SPARK ARRESTER SCREEN		1	1
3	544 36 27-01	BOLT	M4x8-T27	1	1
4	579 18 37-01	GASKET		1	
5	514 24 59-01	BOLT	M5x70	2	
6	576 98 21-01	BRACKET		1	
7	516 96 09-01	NUT		2	
8	576 98 12-01	MUFFLER	For EU/JAPAN only	1	

G 543XP, 543XPG
CARBURETOR & AIR FILTER



CARBURETOR & AIR FILTER

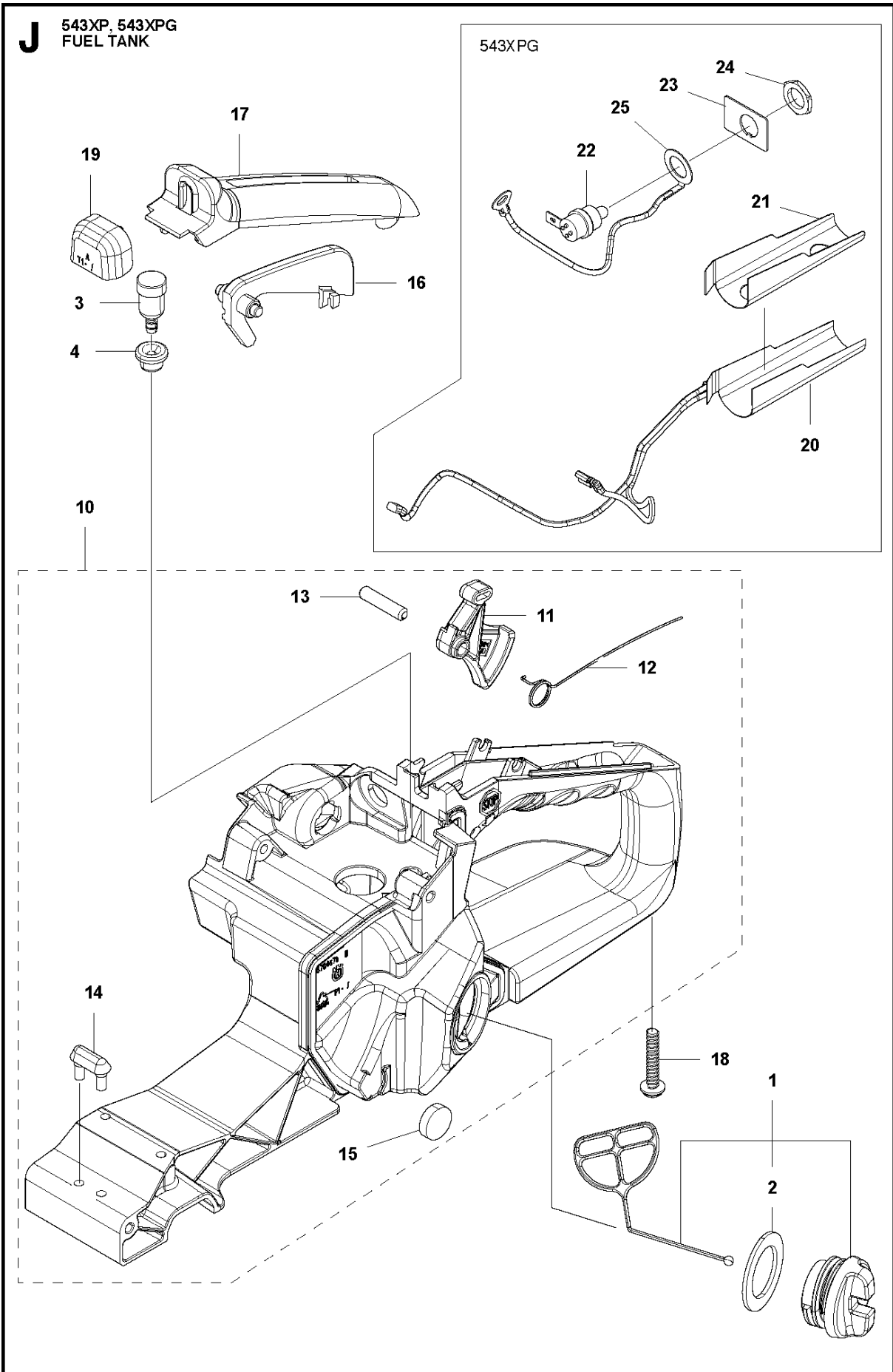
543 XPG

Ref	Part No	Description	Remark	QTY	KIT
1	576 98 01-01	PIPE ASSY		1	
2	579 18 71-01	GASKET		1	
3	522 63 85-01	BOLT	M5x12-T27	2	
4	579 18 10-01	FLANGE		1	
5	506 74 57-01	BOLT	M4x16-T27	2	
6	577 43 32-01	ROD		1	
7	577 43 33-01	GROMMET		1	
8	582 33 92-01	GROMMET	For EU/US only	1	
8	501 30 51-01	GROMMET	For JAPAN only	1	
9	513 79 46-01	AIR FILTER	s/n up to – 20171915387	1	
9	588 84 91-01	AIR FILTER ASSY	s/n from 20172200001	1	
10	577 43 35-01	AIR FILTER COVER		1	
11	577 43 37-01	KNOB		1	10
16	588 41 23-02	FUEL HOSE ASSY	For EU/JAPAN only	1	
16	579 20 40-02	FUEL HOSE ASSY	For US/CAN only	1	
17	595 52 69-16	FUEL HOSE	For EU/JAPAN only	1	16
17	579 51 84-01	FUEL HOSE	For US/CAN only	1	16
18	578 77 81-02	GROMMET		1	16
19	506 74 26-01	FILTER		1	16
20	513 75 08-01	COLLAR		1	
21	576 98 07-01	MANIFOLD	s/n up to – 20171915387	1	
21	588 81 79-01	MANIFOLD	s/n from 20172200001	1	
22	581 35 62-01	SEAL	s/n up to – 20171915387	1	
22	588 84 88-01	O-RING	s/n from 20172200001	1	
23	580 37 01-01	BOLT		2	
24	579 19 13-01	SCREW		1	
25	513 78 93-01	PUMP		1	
26	595 52 69-11	FUEL HOSE		1	
27	576 98 06-01	THROTTLE ROD		1	
28	512 46 31-01	GROMMET		1	
29	580 69 55-01	DECAL		1	
30	584 98 25-01	GROMMET		1	
31	588 90 31-01	PIPE	s/n from 20172200001	1	
32	590 41 34-01	CARBURETTOR	s/n from 20172200001, For EU/US only	1	
32	580 79 84-01	CARBURETTOR	s/n up to – 20171915387, for EU/US only	1	
32	588 84 89-01	CARBURETTOR	For JAPAN only	1	

CRANKCASE

543 XPG

Ref	Part No	Description	Remark	QTY	KIT
1	511 06 43-01	CAP ASSY		1	
2	505 04 61-01	GASKET		1	1
8	582 64 96-04	CRANKCASE ASSY		1	
9	577 16 74-01	PIN		2	8
10	596 44 90-01	BALL BEARING		1	8
11	596 44 91-01	BALL BEARING		1	8
12	504 12 15-01	SEALING		1	
13	581 28 49-01	SEAL		1	8
14	513 74 62-01	BOLT		2	8
15	516 96 19-01	BREATHER		1	8
16	513 74 64-01	SEAL		1	8
17	576 97 62-01	GASKET		1	
18	578 28 12-01	PEN		1	8
19	578 19 67-01	FITTING		1	8
20	521 52 24-01	PIN		1	8
21	515 38 81-01	BOLT	M5x30-T27	6	
26	513 56 04-01	DAMPER		3	
27	512 45 83-01	DAMPER		1	
28	521 51 79-01	SCREW	T5x16-T27	4	
29	513 82 61-01	HUB CAP		3	
30	513 94 51-01	HUB CAP		1	
31	577 82 37-01	SCREW		1	
32	579 21 02-01	CHAIN CATCHER		1	
37	577 02 95-01	PIPE		1	
38	579 18 13-02	GROMMET		1	

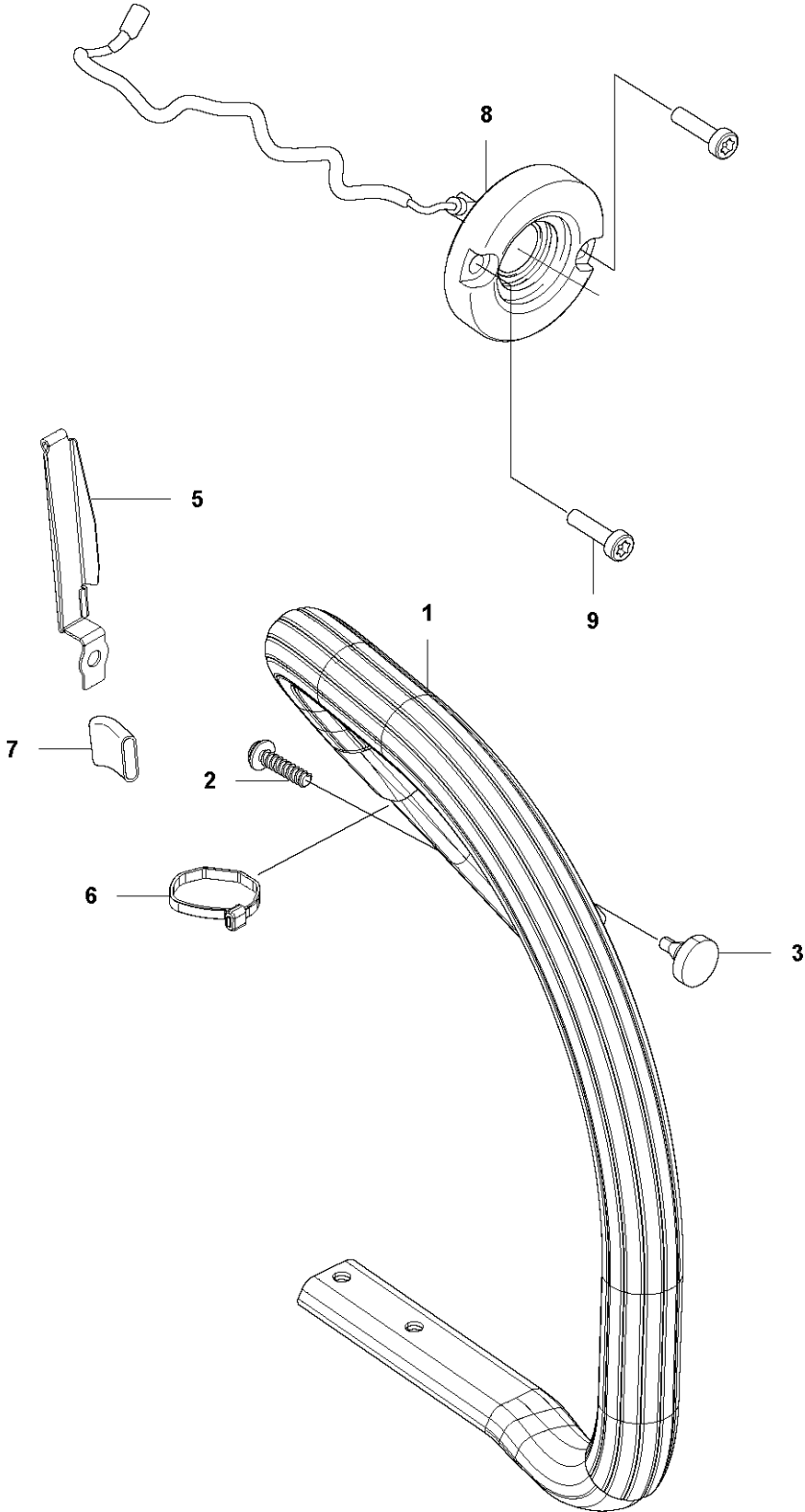


FUEL TANK

543 XPG

Ref	Part No	Description	Remark	QTY	KIT
1	580 75 91-01	TANK CAP ASSY		1	
2	579 51 80-01	GASKET		1	1
3	513 75 15-01	BREATHER		1	
4	514 20 14-01	GROMMET		1	
10	579 52 84-01	HANDLE ASSY	543XPG	1	
11	580 69 47-02	THROTTLE LEVER		1	10
12	505 04 80-01	SPRING		1	10
13	505 04 81-01	SPRING PIN		1	10
14	513 62 02-01	DAMPER		1	10
15	513 75 02-01	HELPER(M)		1	10
16	577 43 54-01	ARM		1	
17	583 95 08-01	COVER		1	
18	521 51 83-01	SCREW		1	
19	580 73 30-01	SUPPORT		1	
20	593 91 64-01	HEATING PLATE	543XPG	1	
21	512 41 22-01	PLATE	543XPG	1	
22	579 41 40-01	SWITCH	543XPG	1	
23	513 61 25-01	PLATE	543XPG	1	
24	513 61 26-01	NUT	543XPG	1	
25	512 41 19-01	CORD	543XPG	1	

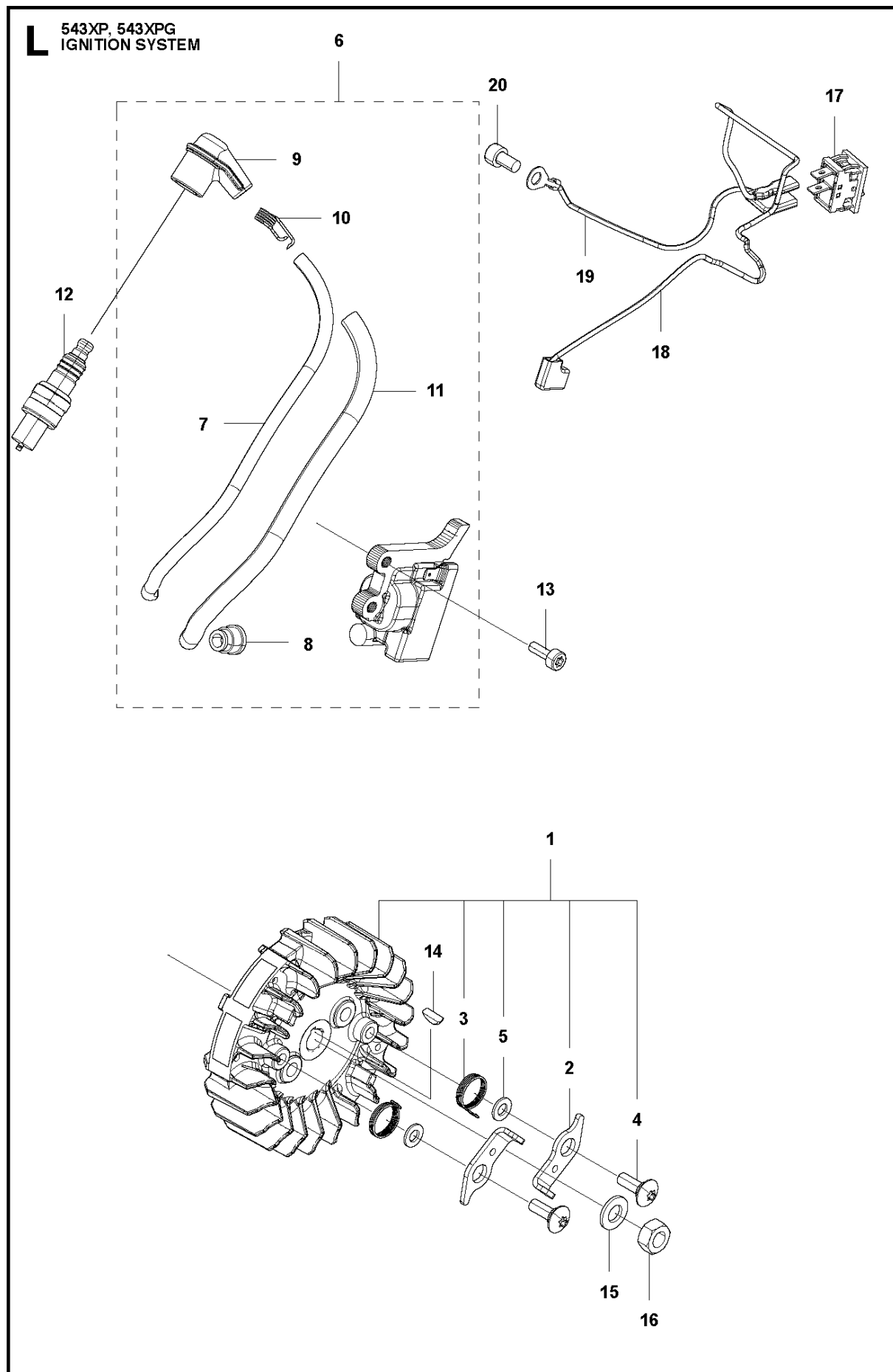
K2 543XPG
HEATED HANDLES



HANDLES HEATED

543 XPG

Ref	Part No	Description	Remark	QTY KIT
1	577 43 61-02	FRONT HANDLE ASSY		1
2	521 51 80-01	SCREW		4
3	513 74 96-01	HELPER(P)		1
5	512 41 16-01	PLATE		1
6	506 61 05-01	BAND		1
7	512 41 20-01	TUBE		1
8	512 41 27-01	COIL		1
9	506 74 57-01	BOLT	M4x16-T27	2

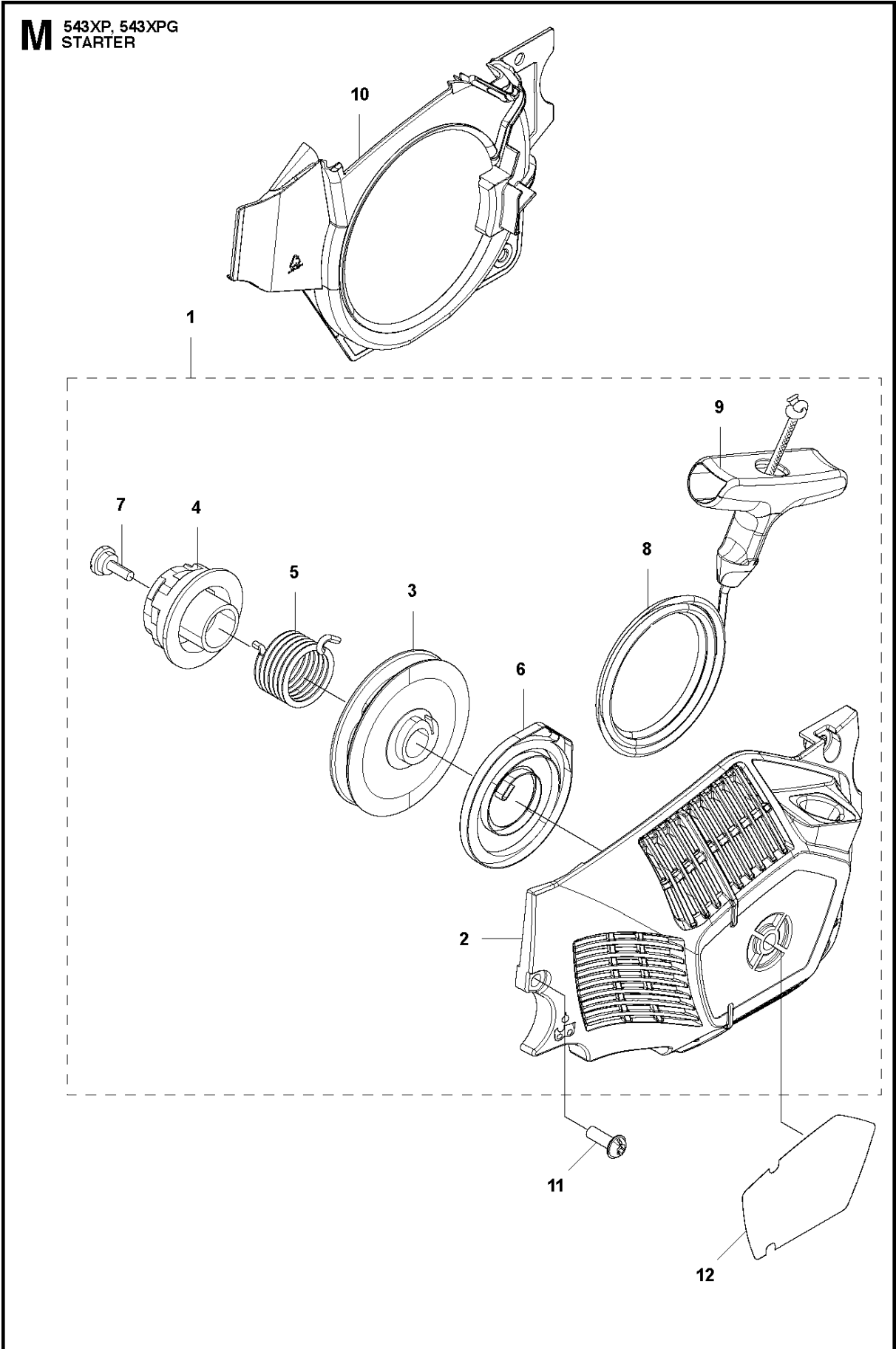


IGNITION SYSTEM

543 XPG

Ref	Part No	Description	Remark	QTY	KIT
1	579 46 59-01	FLYWHEEL ASSY		1	
2	576 98 25-01	PAWL		2	1
3	514 24 09-01	SPRING		2	1
4	577 82 36-01	SCREW	M5x12-T27	2	1
5	506 61 44-01	WASHER		2	1
6	588 84 90-01	IGNITION MODULE ASSY		1	
7	577 33 55-01	CODE		1	6
8	505 04 28-01	HUB CAP		1	6
9	512 44 40-01	HUB CAP		1	6
10	504 11 82-01	SPRING		1	6
11	577 33 56-01	TUBE		1	6
12	521 23 34-01	SPARK PLUG	NGK CMR7H	1	
13	506 74 57-01	BOLT	M4x16-T27	2	
14	506 68 94-01	KEY		1	
15	510 48 81-01	WASHER		1	
16	514 23 92-01	NUT		1	
17	586 24 68-01	STOP SWITCH		1	
18	576 98 30-01	CORD		1	
19	513 76 62-01	CORD		1	
20	529 26 81-01	BOLT	M5x9-T27	1	

M 543XP, 543XPG
STARTER



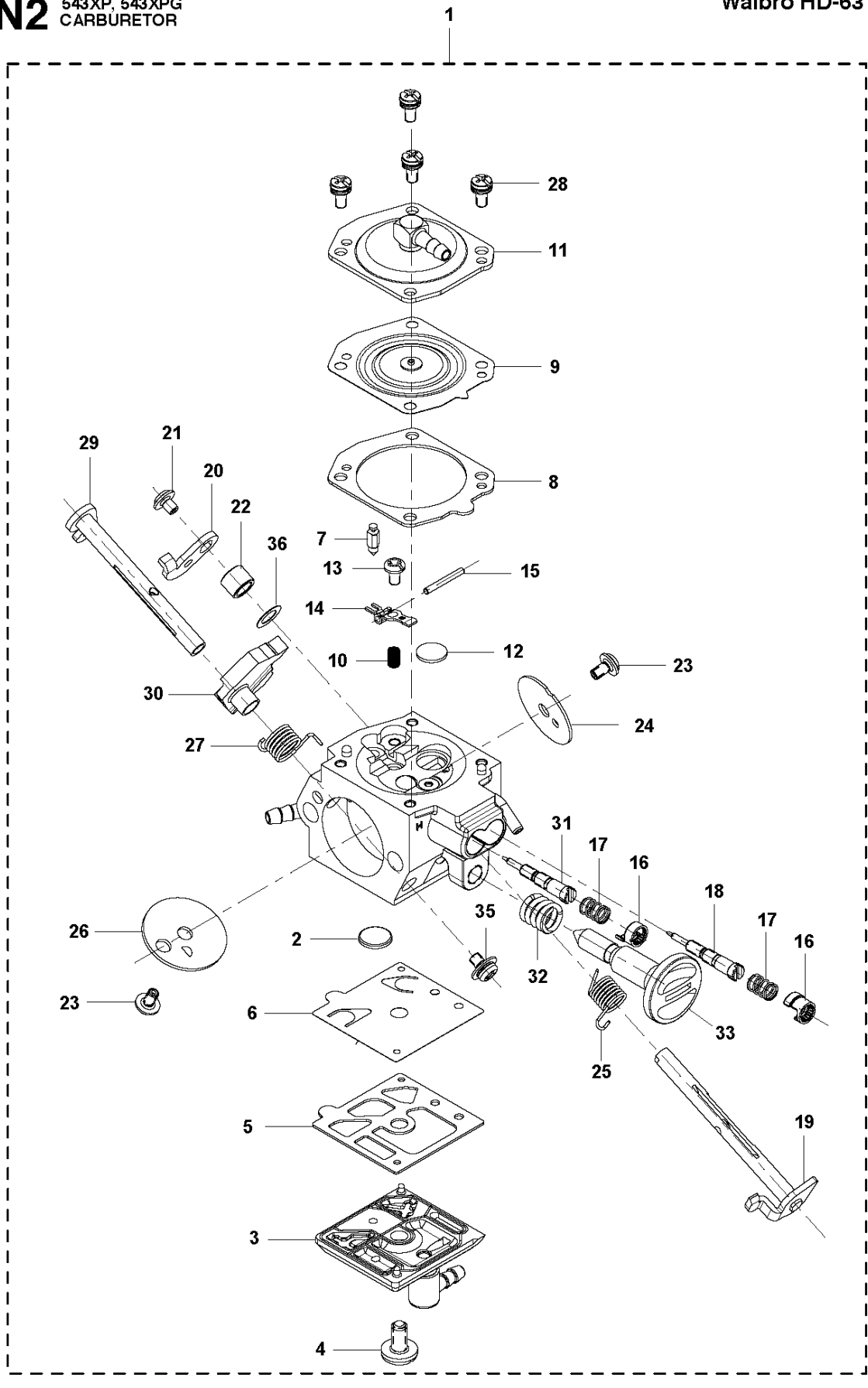
STARTER

543 XPG

Ref	Part No	Description	Remark	QTY	KIT
1	577 43 41-01	STARTER ASSY	s/n up to – 20171915387	1	
1	586 69 31-02	STARTER ASSY	s/n from 20172200001	1	
2	577 43 44-01	CASE	s/n up to – 20171915387	1	1
2	586 69 32-02	STARTER HOUSING	s/n from 20172200001	1	1
3	527 75 60-01	REEL	s/n up to – 20171915387	1	1
3	586 69 35-01	REEL	s/n from 20172200001	1	1
4	576 98 56-01	STARTER PULLEY		1	1
5	527 75 62-01	SPRING		1	1
6	576 38 33-01	SPRING CASSETTE ASSY		1	1
7	515 36 71-01	SCREW		1	1
8	527 75 61-01	ROPE		1	1
9	537 23 25-01	STARTER HANDLE		1	1
10	576 98 59-01	AIR BAFFLE	s/n up to – 20171915387	1	
10	586 68 90-01	AIR CONDUCTOR	s/n from 20172200001	1	
11	579 19 13-01	SCREW	M5x14-T27	3	
12	579 52 87-01	DECAL	543XPG	1	

N2 543XP, 543XPG
CARBURETOR

Walbro HD-63



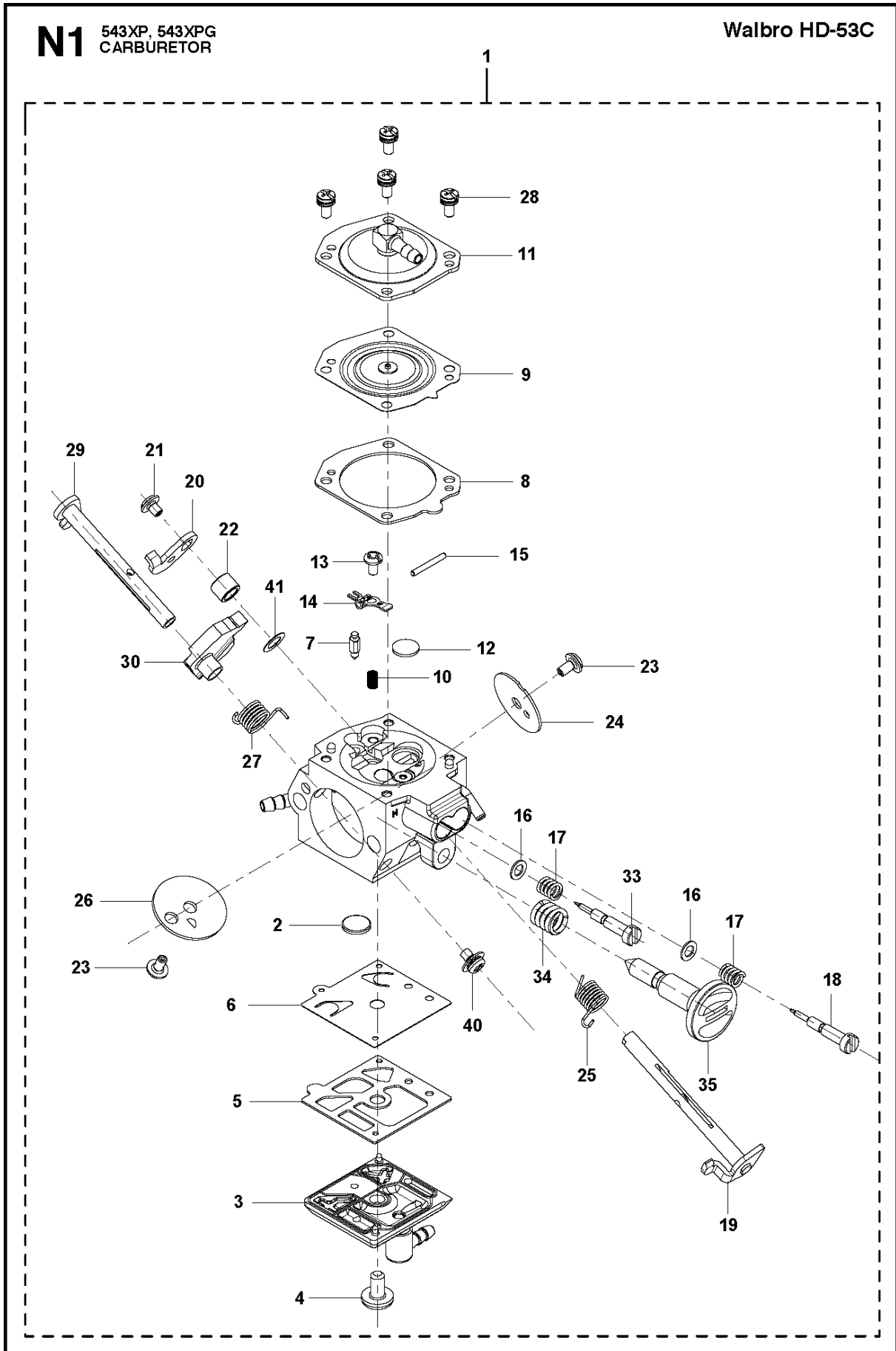
CARBURETOR DETAILS

543 XPG

Ref	Part No	Description	Remark	QTY KIT	
1	580 79 84-01	CARBURETTOR	s/n up to – 20171915387 (HD–54B EU, US)	1	
1	590 41 34-01	CARBURETTOR	s/n from 20172200001 (HD–63 EU, US)	1	
2	520 95 70-01	SCREEN		1	1
3	579 49 21-01	COVER		1	1
4	513 30 13-01	SCREW		1	1
5	514 24 27-01	GASKET		1	1
6	585 39 98-01	DIAPHRAGM PUMP		1	1
7	521 08 54-01	VALVE.INLET		1	1
8	514 24 28-01	GASKET		1	1
9	579 49 22-01	DIAPHRAGM		1	1
10	516 98 00-01	SPRING		1	1
11	501 40 57-01	COVER		1	1
12	516 34 29-01	PLUG		1	1
13	520 97 73-01	SCREW		1	1
14	514 24 29-01	LEVER		1	1
15	520 97 74-01	PIN		1	1
16	578 91 30-01	CAP		2	1
17	578 91 28-01	SPRING		2	1
18	580 24 21-01	NEEDLE		1	1
19	579 49 25-01	SHAFT ASSY		1	1
20	579 49 26-01	LEVER		1	1
21	520 75 98-01	SCREW		1	1
22	579 49 27-01	SPACER		1	1
23	579 49 28-01	SCREW		2	1
24	579 49 29-01	VALVE		1	1
25	579 49 30-01	SPRING		1	1
26	579 49 31-01	VALVE		1	1
27	581 29 80-01	SPRING		1	1
28	520 97 88-01	SCREW ASSY		4	1
29	581 29 81-01	SHAFT ASSY		1	1
30	581 29 82-01	LEVER		1	1
31	580 24 26-01	NEEDLE HIGH SPEED		1	1
32	521 06 63-01	SPRING		1	1
33	513 79 28-01	SCREW		1	1
35	581 29 83-01	SCREW		1	1
36	506 74 61-01	WASHER		1	1

N1 543XP, 543XPG
CARBURETOR

Walbro HD-53C

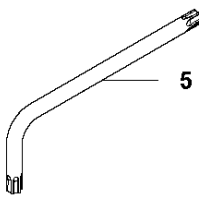
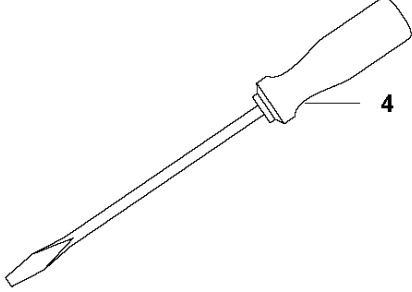
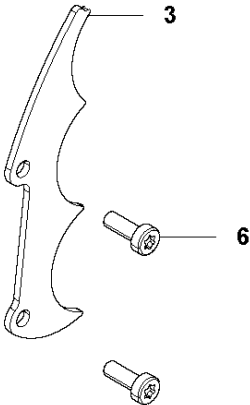
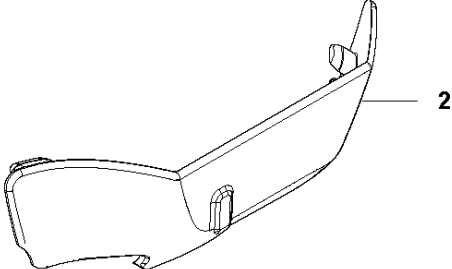
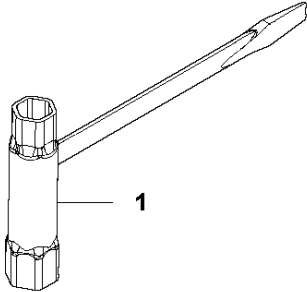


CARBURETOR DETAILS

543 XPG

Ref	Part No	Description	Remark	QTY KIT	
1	588 84 89-01	CARBURETTOR	JAPAN	1	
2	520 95 70-01	SCREEN		1	1
3	579 49 21-01	COVER		1	1
4	513 30 13-01	SCREW		1	1
5	514 24 27-01	GASKET		1	1
6	514 24 30-01	DIAPHRAGM		1	1
7	521 08 54-01	VALVE.INLET		1	1
8	514 24 28-01	GASKET		1	1
9	579 49 22-01	DIAPHRAGM		1	1
10	516 98 00-01	SPRING		1	1
11	501 40 57-01	COVER		1	1
12	516 34 29-01	PLUG		1	1
13	520 97 73-01	SCREW		1	1
14	514 24 29-01	LEVER		1	1
15	520 97 74-01	PIN		2	1
16	521 57 60-01	WASHER		2	1
17	514 18 82-01	SPRING		1	1
18	579 49 24-01	NEEDLE		1	1
19	579 49 25-01	SHAFT ASSY		1	1
20	579 49 26-01	LEVER		1	1
21	520 75 98-01	SCREW		1	1
22	579 49 27-01	SPACER		1	1
23	579 49 28-01	SCREW		2	1
24	579 49 29-01	VALVE		1	1
25	579 49 30-01	SPRING		1	1
26	579 49 31-01	VALVE		1	1
27	581 29 80-01	SPRING		1	1
28	520 97 88-01	SCREW ASSY		4	1
29	581 29 81-01	SHAFT ASSY		1	1
30	581 29 82-01	LEVER		1	1
33	579 49 35-01	NEEDLE		1	1
34	579 49 30-01	SPRING		1	1
35	513 79 28-01	SCREW		1	1
40	581 29 83-01	SCREW		1	1
41	506 74 61-01	WASHER		1	1

P 543XP, 543XPG
ACCESSORIES



ACCESSORIES

543 XPG

Ref	Part No	Description	Remark	QTY KIT
1	521 53 29-01	WRENCH		1
2	580 65 98-01	WINTER COVER		1
3	585 69 70-01	SPIKE		1
4	513 63 56-01	DRIVER		1
5	584 40 91-01	HEX KEY	T27	1
6	521 51 62-01	BOLT		2