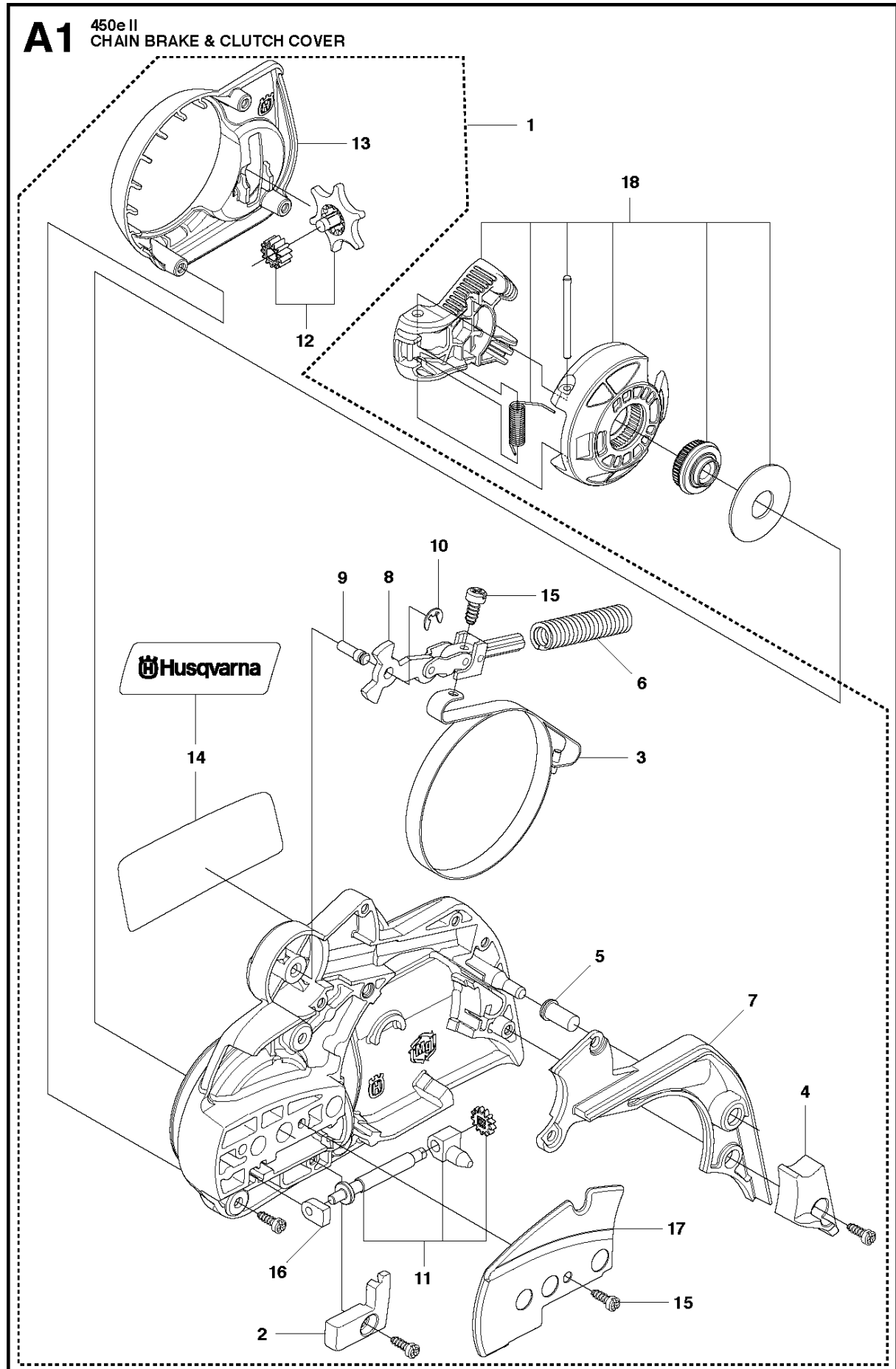




# SPARE PARTS LIST

CHAIN SAWS

450 e II



## CHAIN BRAKE &amp; CLUTCH COVER

450 e II

Ref	Part No	Description	Remark	QTY	KIT
1	544 21 72-01	CLUTCH COVER ASSY		1	
2	504 54 28-01	COVER LID		1	1
3	537 04 30-01	BRAKE BAND ASSY		1	1
4	544 08 30-01	WEAR PROTECTION		1	1
5	503 85 52-01	GUIDE BUSHING		1	1
6	503 46 59-01	BRAKE SPRING		1	1
7	544 08 29-01	COVER LID		1	1
8	503 89 08-02	KNEE JOINT ASSY		1	1
9	503 89 29-01	PIN		1	1
10	735 31 08-20	E-CLIP		1	1
11	537 39 29-01	SCREW		1	1
12	537 34 72-01	GEAR ASSY		1	1
13	537 39 26-01	HEAT PROTECTOR		1	1
14	544 35 75-01	LABEL		1	1
15	526 22 18-01	SCREW CITXPANT		10	1
16	525 35 43-01	BEARING SLEEVE		1	1
17	544 25 05-01	WEAR PLATE		1	1
18	537 34 78-01	KNOB		1	

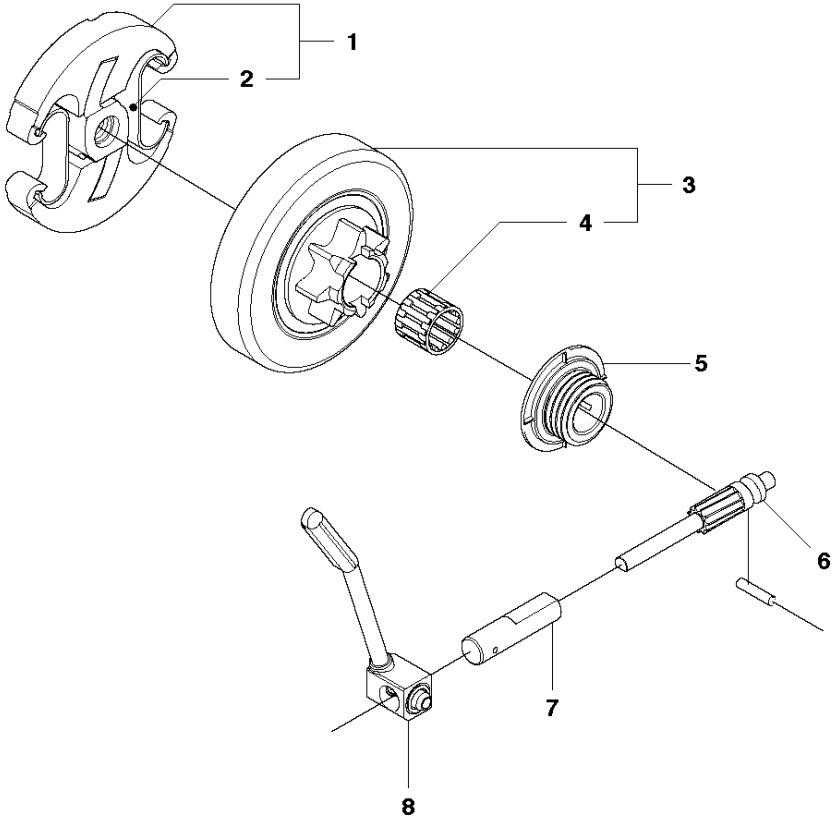


## CHAIN BRAKE &amp; CLUTCH COVER

450 e II

Ref	Part No	Description	Remark	QTY	KIT
1	544 09 79-01	CLUTCH COVER ASSY		1	
2	735 31 08-20	E-CLIP		1	1
3	537 28 66-01	PAWL		1	1
4	540 06 33-01	CHAIN GUIDE		1	1
5	537 01 74-01	BEARING SLEEVE		1	1
6	503 89 08-02	KNEE JOINT ASSY		1	1
7	503 46 59-01	BRAKE SPRING		1	1
8	503 85 52-01	GUIDE BUSHING		1	1
9	544 08 29-01	COVER LID		1	1
10	526 22 18-01	SCREW CITXPANT		7	1
11	544 08 30-01	WEAR PROTECTION		1	1
12	537 04 30-01	BRAKE BAND ASSY		1	1
13	503 89 29-01	PIN		1	1
14	537 39 70-01	WORM SCREW		1	1
15	537 07 94-02	WORM WHEEL		1	1
16	740 48 07-02	O-RING		1	1
17	503 23 00-63	WASHER		1	1
18	544 37 68-01	LABEL		1	1
19	503 22 00-01	HEXAGON NUT		1	

**B** 450 II, 450e II  
CLUTCH & OIL PUMP

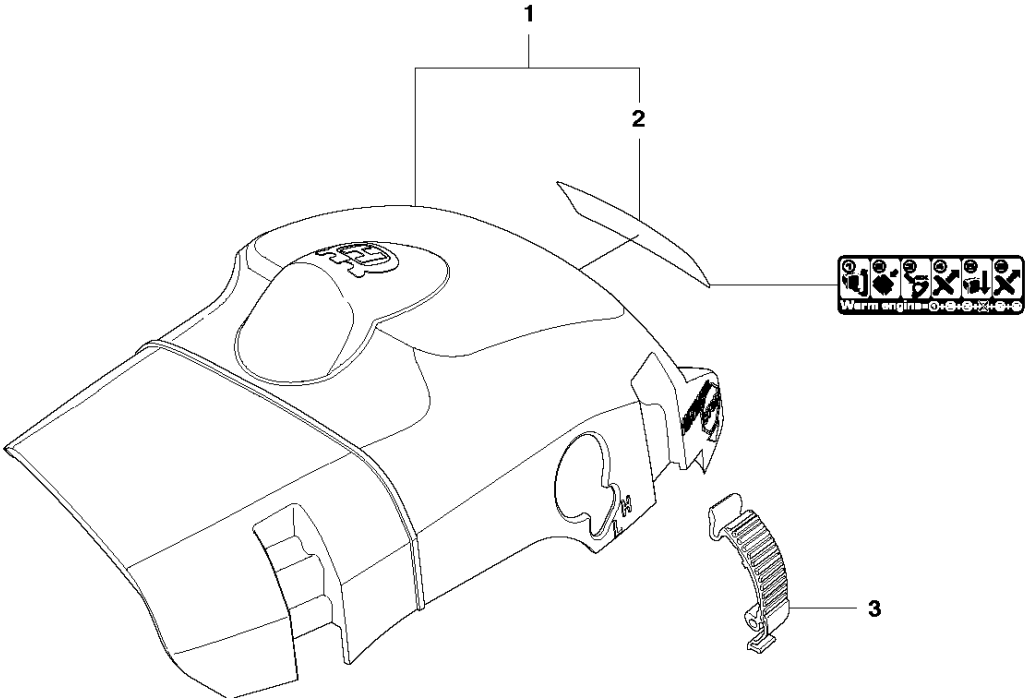


## CLUTCH &amp; OIL PUMP

450 e II

Ref	Part No	Description	Remark	QTY	KIT
1	537 11 05-03	CLUTCH ASSY		1	
2	537 35 91-01	CLUTCH SPRING		2	1
3	578 09 79-01	CLUTCH DRUM ASSY		1	
4	503 25 52-01	NEEDLE BEARING		1	3
5	503 93 18-01	PUMP PINION		1	
6	540 05 79-01	PUMP PISTON		1	
7	537 15 48-01	PUMP CYLINDER		1	
8	544 08 42-01	OIL HOSE		1	

**C** 450 II, 450e II  
CYLINDER COVER



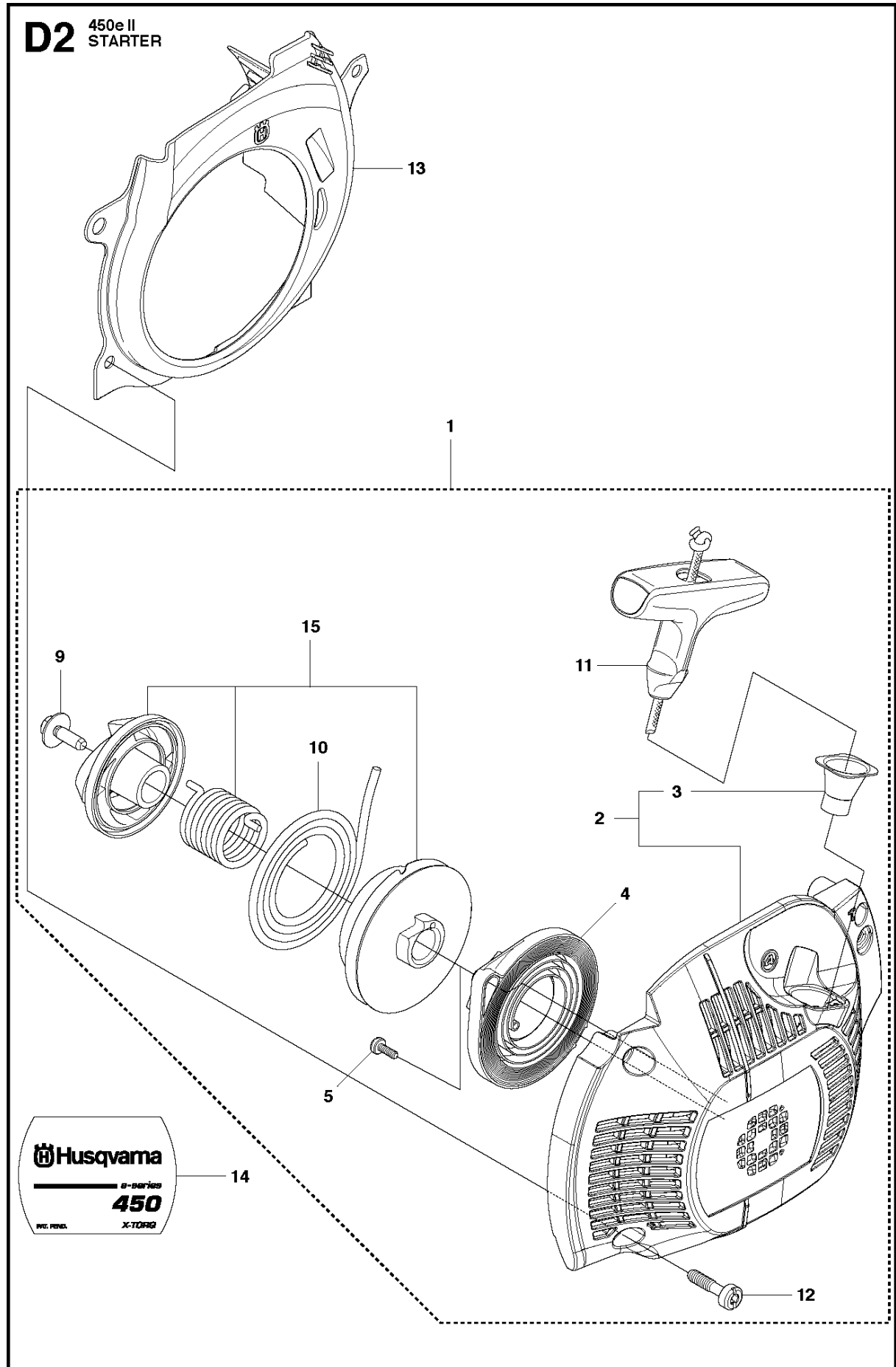


CYLINDER COVER

450 e II

Ref	Part No	Description	Remark	QTY	KIT
1	581 53 06-01	CYLINDER COVER SYSTEM		1	
2	522 73 60-01	LABEL		1	1
3	503 89 47-01	SNAP LOCKING		3	

**D2** 450e II  
STARTER

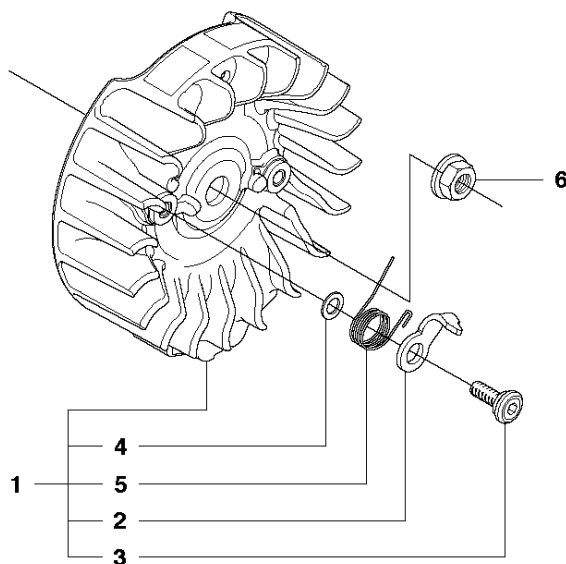
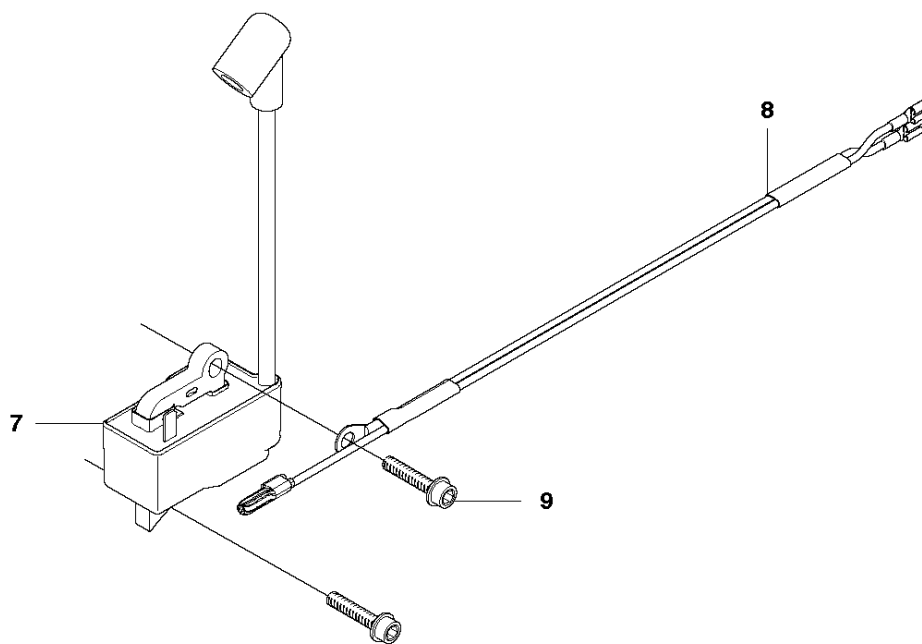


## STARTER

450 e II

Ref	Part No	Description	Remark	QTY	KIT
1	579 42 53-11	STARTER ASSY		1	
2	505 42 28-02	STARTER HOUSING		1	1
3	537 28 32-01	SLEEVE		1	1, 2
4	540 05 75-02	SPRING CASSETTE ASSY		1	1
5	503 21 28-10	SCREW CCRPANT		2	1
9	503 21 77-16	SCREW IHSCT		1	1
10	503 85 89-01	STARTER ROPE		1	1
11	537 23 25-01	STARTER HANDLE		1	1
12	503 21 73-21	SCREW		4	1
13	544 08 15-01	COOLING AIR CONDUCTER		1	
14	580 81 53-02	LABEL		1	
15	586 65 95-03	STARTER PULLEY		1	1

**E** 450 II, 450e II  
IGNITION SYSTEM

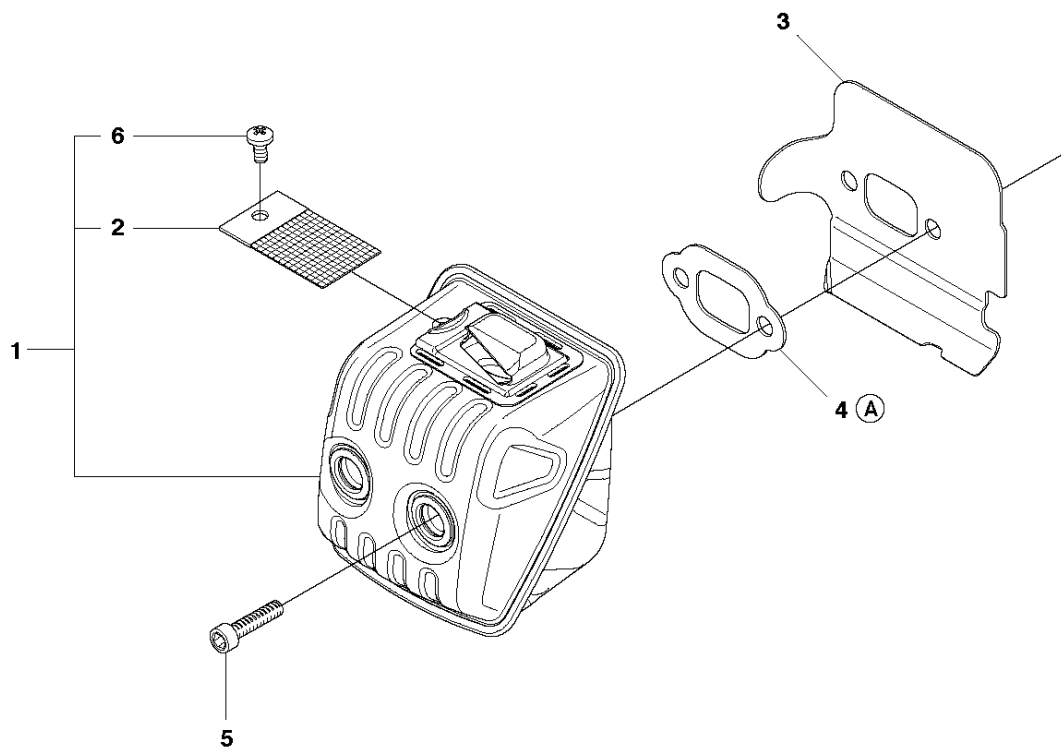


## IGNITION SYSTEM

450 e II

Ref	Part No	Description	Remark	QTY	KIT
1	580 27 96-01	FLYWHEEL ASSY		1	
2	537 24 56-01	STARTER PAWL		2	1
3	501 81 99-03	SCREW		2	1
4	503 23 00-42	WASHER		2	1
5	529 27 11-01	SPRING		2	1
6	503 22 04-01	NUT		1	
7	579 63 88-03	IGNITION MODULE		1	
8	510 10 15-01	WIRING ASSY		1	
9	503 20 02-20	SCREW IHSCFM		2	

**F** 450 II, 450e II  
MUFFLER

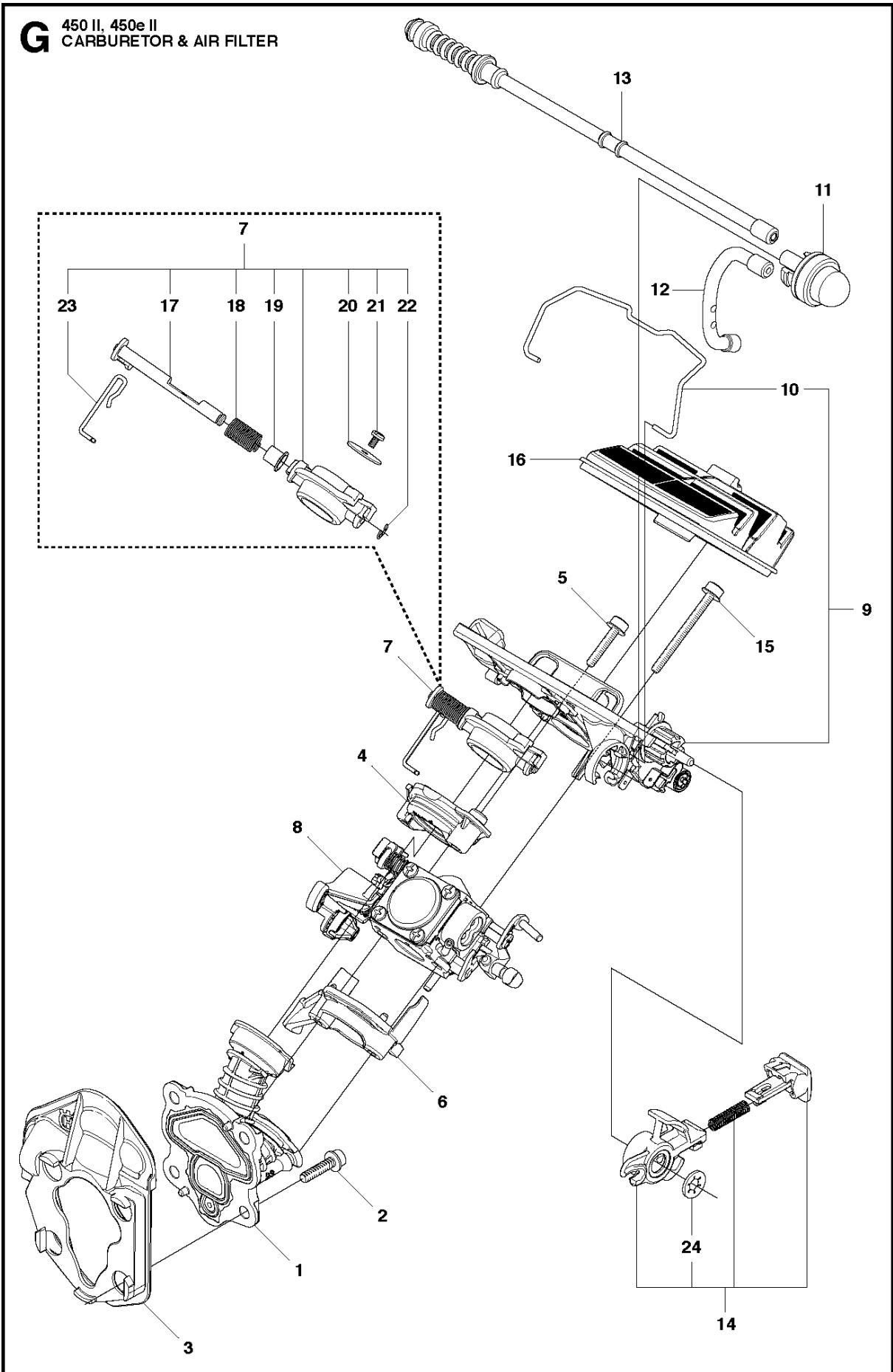


7  
Ⓐ 544 97 20-01  
Set of gaskets

## MUFFLER

450 e II

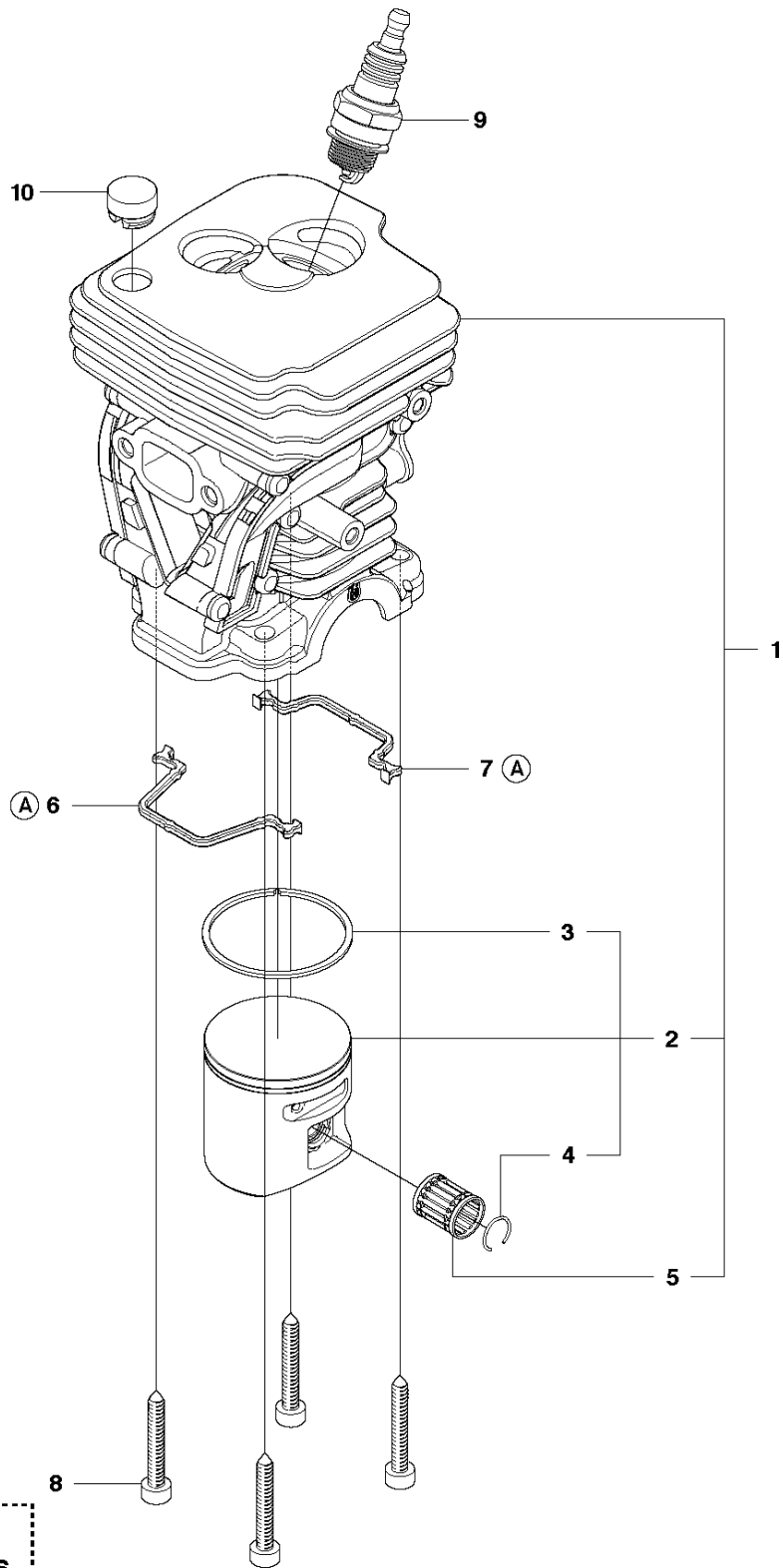
Ref	Part No	Description	Remark	QTY	KIT
1	544 14 77-02	MUFFLER ASSY		1	
2	579 75 33-01	SCREEN		1	1
3	579 75 32-01	HEAT DEFLECTOR		1	
4	579 75 31-01	GASKET		1	7
5	725 53 68-55	SCREW IHSCM		2	
6	724 12 87-59	SCREW CRPANM		1	1
7	544 97 20-01	GASKET KIT	Set of Gaskets	1	





Ref	Part No	Description	Remark	QTY	KIT
1	544 08 23-01	PIPE ASSY		1	
2	503 20 02-16	SCREW IHSCFM		4	
3	544 08 38-01	INTERMEDATE WALL		1	
4	544 08 40-01	FLANGE		1	
5	503 21 07-25	SCREW IHSCFT		2	
6	544 08 41-01	FLANGE		1	
7	544 14 82-01	THROTTLE		1	
8	506 45 04-01	CARBURETTOR	C1M-EL37B	1	
9	505 51 47-01	FILTER HOLDER ASSY		1	
10	544 23 14-01	SHACKLE		1	9
11	503 93 66-01	PURGE	air purge	1	
12	544 40 19-01	HOSE	suction hose	1	
13	577 53 51-01	RETURN HOSE	return hose	1	
14	544 35 99-02	CONTROL		1	
15	503 21 07-50	SCREW IHSCFT		2	
16	544 08 08-01	AIR FILTER	80μ	1	
16	544 08 08-02	AIR FILTER	44μ	1	
16	544 08 08-03	AIR FILTER	Felt	1	
17	502 08 10-01	SHAFT ASSY		1	7
18	502 08 11-01	SPRING		1	7
19	502 08 08-01	COLLAR		1	7
20	502 08 12-01	VALVE		1	7
21	503 48 18-01	SCREW		1	7
22	537 38 52-01	CLIP		1	7
23	502 08 09-01	ROD		1	7
24	735 58 30-00	WASHER		1	14

**H** 450 II, 450e II  
CYLINDER PISTON



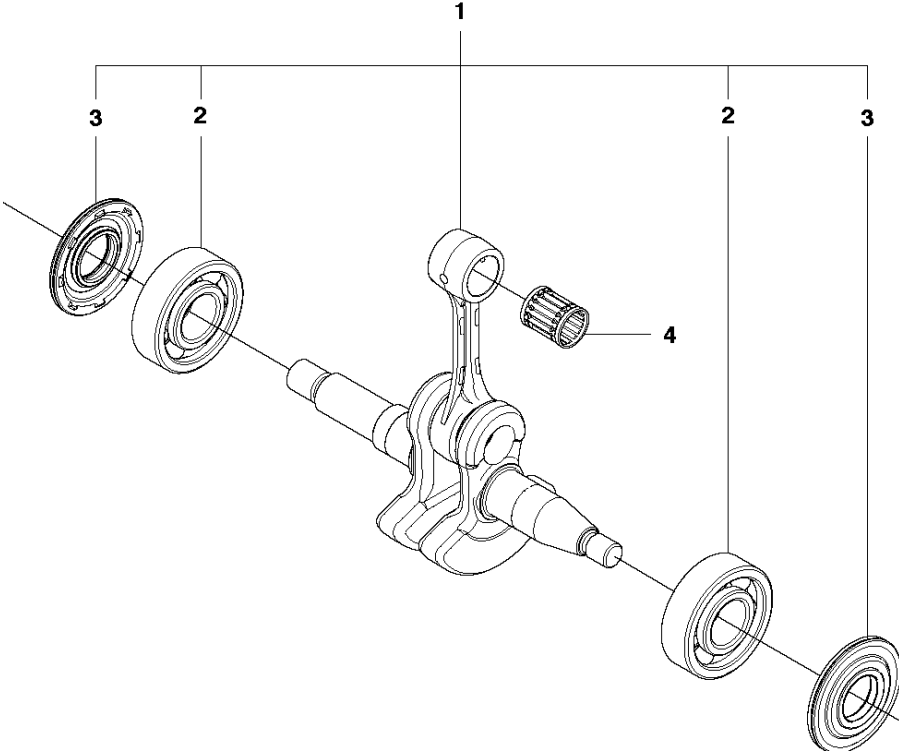
11  
Ⓐ 544 97 20-01  
Set of gaskets

## CYLINDER PISTON

450 e II

Ref	Part No	Description	Remark	QTY	KIT
1	544 11 98-03	CYLINDER		1	
2	544 08 89-05	PISTON ASSY		1	1
3	544 08 87-01	PISTON RING		1	1, 2
4	544 21 13-01	CIRCLIP		1	1, 2
5	503 25 63-02	NEEDLE BEARING		1	1
6	544 10 87-01	GASKET		1	11
7	544 10 92-01	GASKET		1	11
8	503 20 05-27	SCREW IHSCM		4	
9	503 23 51-11	SPARK PLUG		1	
10	540 05 73-01	SUPPORT		1	
11	544 97 20-01	GASKET KIT	Set of Gaskets	1	

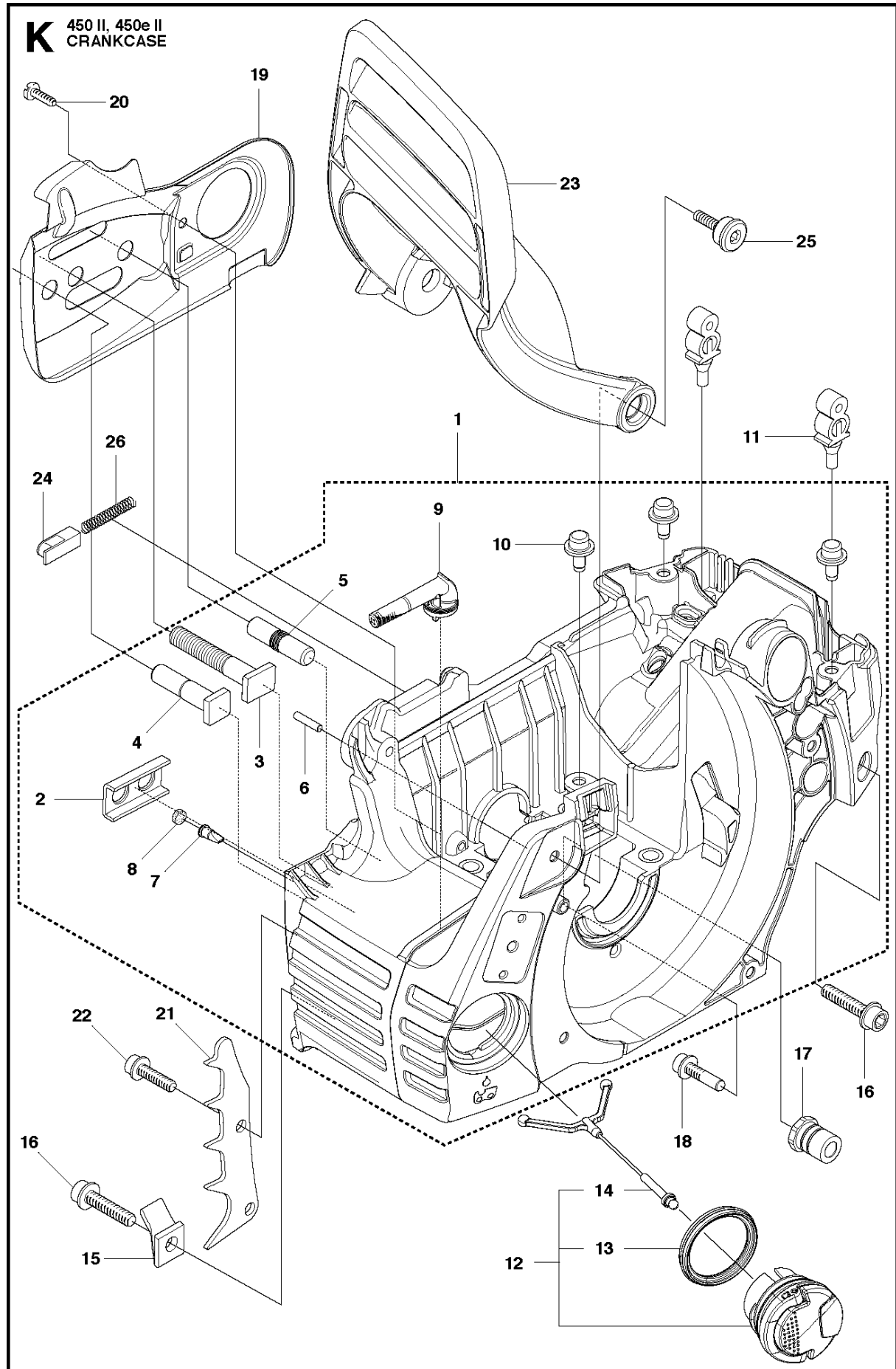
**J** 450 II, 450e II  
CRANKSHAFT



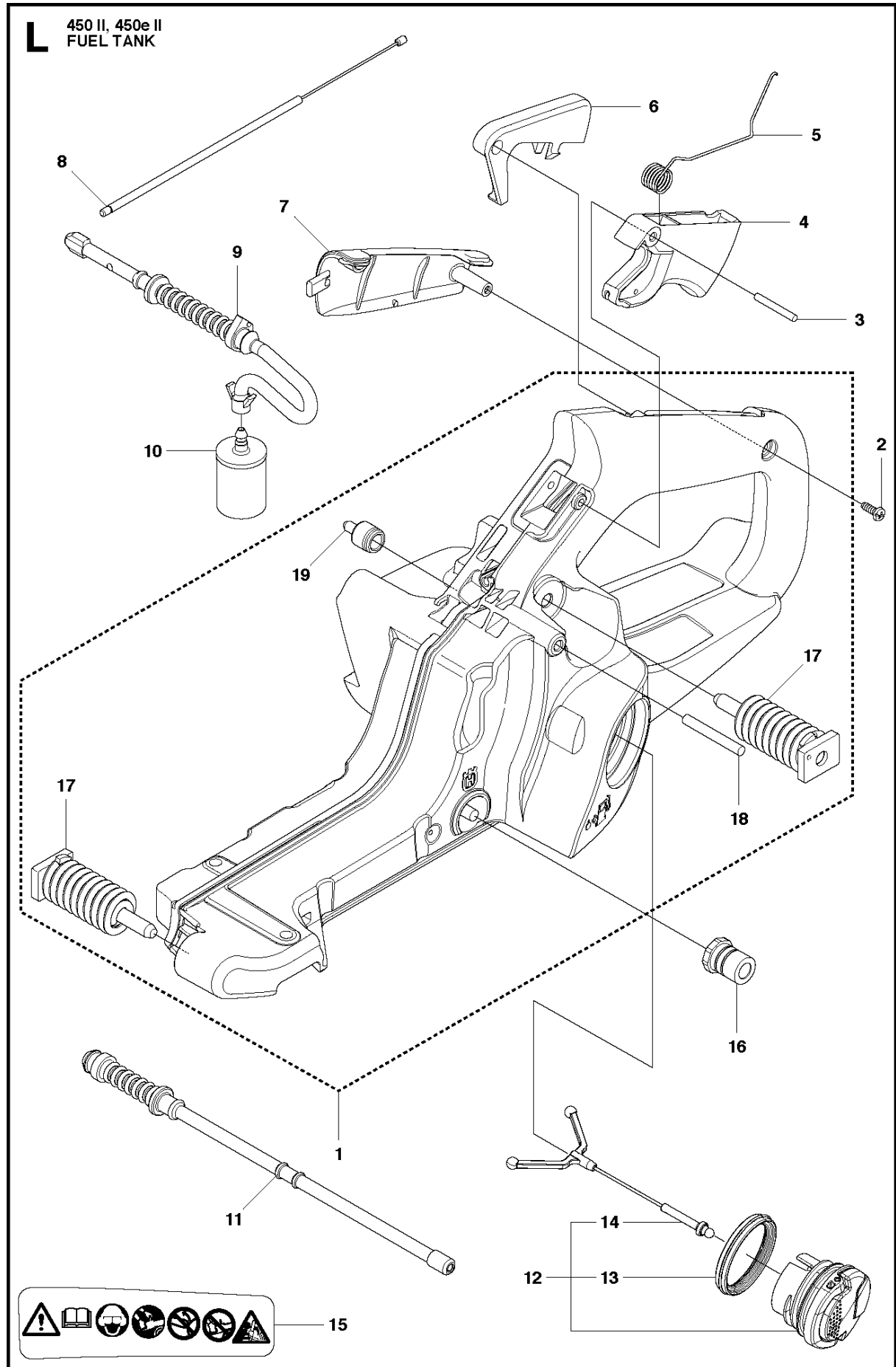
CRANKSHAFT

450 e II

Ref	Part No	Description	Remark	QTY	KIT
1	525 60 50-01	CRANKSHAFT ASSY		1	
2	544 06 20-01	BEARING		2	1
3	544 01 38-01	SEALING		2	1
4	503 25 63-02	NEEDLE BEARING		1	



Ref	Part No	Description	Remark	QTY	KIT
1	537 43 82-01	CRANKCASE		1	
2	503 87 58-02	STIFFENING PLATE		1	1
3	503 87 54-02	BAR BOLT		1	1
4	537 33 46-01	BAR BOLT		1	1
5	544 03 64-01	BAR BOLT		1	1
6	503 24 09-05	NEEDLE ROLLER		1	1
7	530 02 61-19	CHECK VALVE		1	1
8	537 40 35-01	FILTER		1	1
9	544 08 33-01	OIL SCREEN		1	1
10	544 33 16-01	GUIDE PIN		3	1
11	503 86 93-01	SUPPORT		2	
12	522 62 00-03	TANK CAP ASSY		1	
13	589 24 11-01	GASKET		1	12
14	503 57 89-01	HOLDER		1	12
15	503 88 63-01	PIN		1	
16	503 21 88-76	SCREW IHSCCT		2	
17	501 00 76-01	SUPPORT		2	
18	503 21 51-03	SCREW IHSCCT		1	
19	544 09 40-01	CHAIN GUIDE PLATE		1	
20	503 21 70-10	SCREW CCRPANT		1	
21	503 90 59-01	SPIKE		1	
22	503 21 75-20	SCREW IHSCFT		2	
23	505 42 27-01	HAND GUARD		1	
24	503 89 24-01	LOCK		1	
25	503 89 30-01	SCREW		2	
26	503 43 65-01	POSITION SPRING		1	



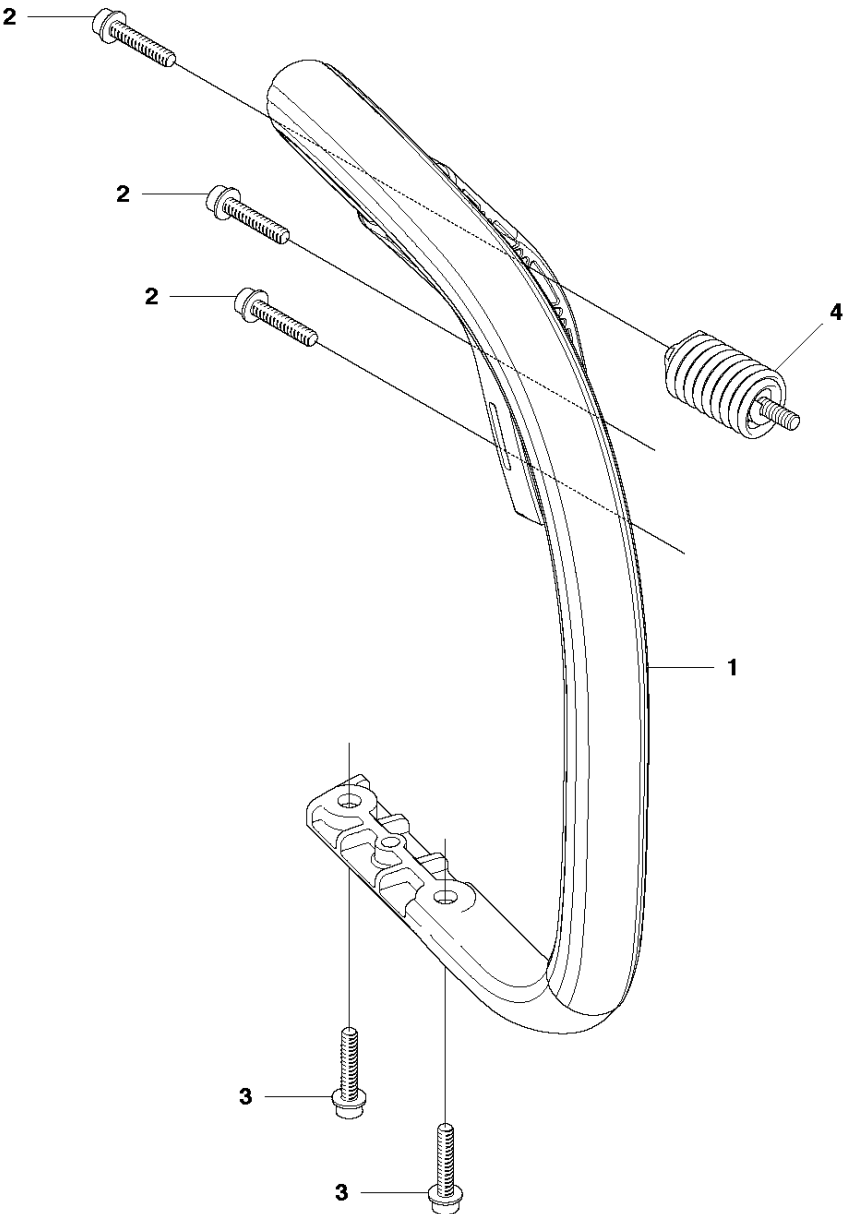


## FUEL TANK

450 e II

Ref	Part No	Description	Remark	QTY	KIT
1	525 86 21-04	FUEL TANK ASSY		1	
2	503 21 28-10	SCREW CCRPANT		1	
3	720 18 25-20	PARALLEL PIN		1	
4	544 09 97-01	THROTTLE TRIGGER		1	
5	544 09 99-01	SPRING		1	
6	544 09 98-01	THROTTLE LOCKOUT		1	
7	504 12 22-01	HANDLE INSERT		1	
8	504 09 88-01	THROTTLE CABLE ASSY		1	
9	544 12 86-01	FUEL HOSE		1	
10	503 44 32-01	FUEL FILTER		1	
11	577 53 51-01	RETURN HOSE		1	
12	522 62 00-03	TANK CAP ASSY		1	
13	589 24 11-01	GASKET		1	12
14	503 57 89-01	HOLDER		1	12
15	544 37 50-01	LABEL		1	
16	501 00 76-01	SUPPORT		1	
17	544 10 12-01	ANTIVIBRATION ELEMENT		2	1
18	721 12 63-39	GROOVED PIN		1	1
19	501 15 29-01	TANK VENT ASSY		1	1

**M** 450 II, 450e II  
HANDLE

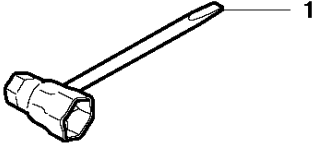


Ref	Part No	Description	Remark	QTY KIT
1	544 08 39-01	FRONT HANDLE		1
2	503 21 88-76	SCREW IHSCT		3
3	503 21 02-70	SCREW IHSCT		2
4	503 89 83-01	ANTIVIBRATION ELEMENT		1



Ref	Part No	Description	Remark	QTY	KIT
1	506 45 04-01	CARBURETTOR		1	
2	502 07 82-01	COLLAR		1	1
3	502 07 83-01	COLLAR		1	1
4	502 07 84-01	SCREW		1	1
5	502 07 86-01	SPRING		1	1
6	502 07 87-01	SPRING		1	1
7	503 47 90-01	SCREW		1	1
8	503 47 96-01	SCREW		1	1
9	503 47 97-01	VALVE		1	1
10	503 48 00-01	PIN RETAINING SCREW		1	1
11	503 48 01-01	SCREW		1	1
12	503 48 05-01	SCREW		4	1
13	503 48 11-01	PIECE		1	1
14	503 48 18-01	SCREW		2	1
15	503 53 56-01	PLUG WELCH		2	1
16	503 53 57-01	STRAINER		1	1
17	503 66 59-01	LEVER		1	1
18	537 02 01-01	GASKET		1	1, 37
19	537 38 31-01	DIAPHRAGM PUMP		1	1, 37
20	502 07 89-01	COVER		1	1
21	537 38 33-01	SCREW		1	1
22	537 38 34-01	SPRING		1	1
23	537 38 37-01	COVER		1	1
24	544 23 77-01	NOZZLE ASSY		1	1
25	502 07 90-01	DIAPHRAGM		1	1, 37
26	502 07 91-01	LEVER		1	1
27	505 10 17-01	LEVER		1	1
28	502 07 94-01	SHAFT ASSY		1	1
29	502 07 95-01	SHAFT ASSY		1	1
30	502 24 77-01	VALVE		1	1
31	502 07 98-01	COLLAR		1	1
32	537 38 36-01	GASKET		1	1, 37
33	502 08 17-01	LEVER		1	1
34	502 07 99-01	SCREW		1	1
35	502 08 00-01	SCREW		1	1
36	502 08 01-01	VALVE		1	1
37	502 08 02-01	GASKET KIT	B = Set of Gaskets	1	
38	544 11 95-01	PLUG		1	1

**P** 450 II, 450e II  
ACCESSORIES

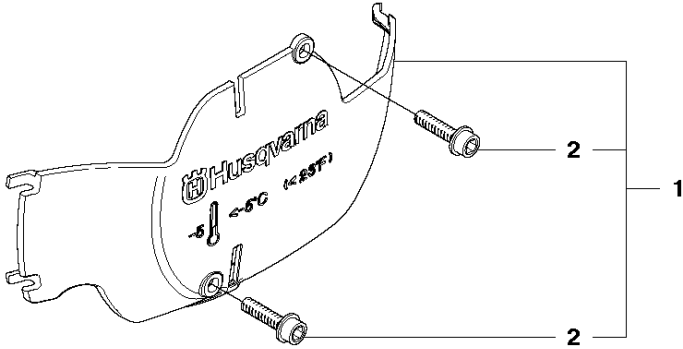


ACCESSORIES

450 e II

Ref	Part No	Description	Remark	QTY KIT
1	501 69 17-01	COMBINATION WRENCH		1

**Q** 450 II, 450e II  
WINTER KIT





Ref	Part No	Description	Remark	QTY	KIT
1	544 46 45-01	WINTER KIT	Winter kit	1	
2	503 21 70-16	SCREW CCRPANT		2	1