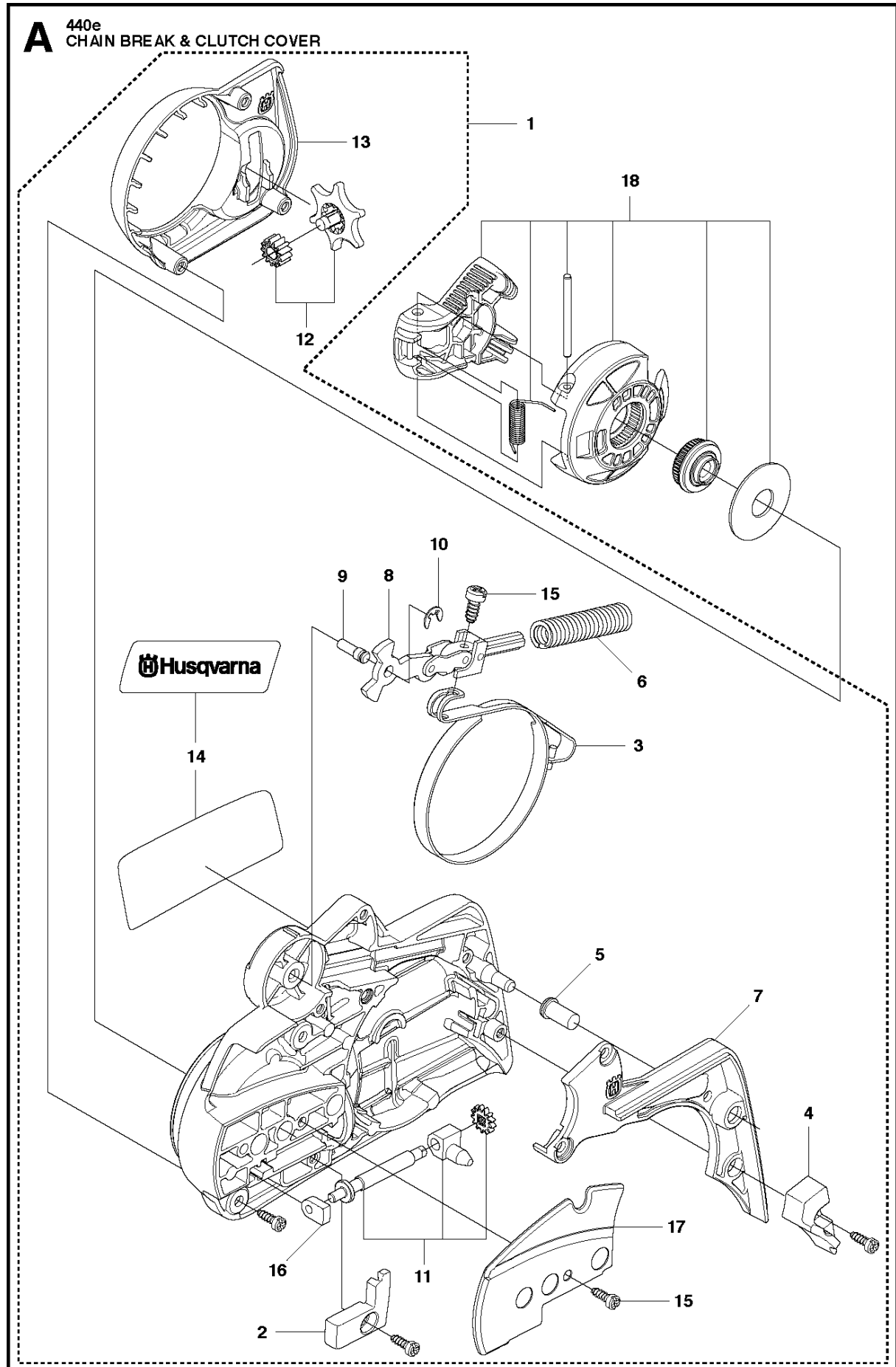




SPARE PARTS LIST

CHAIN SAWS

440 E, 20111800001-Current

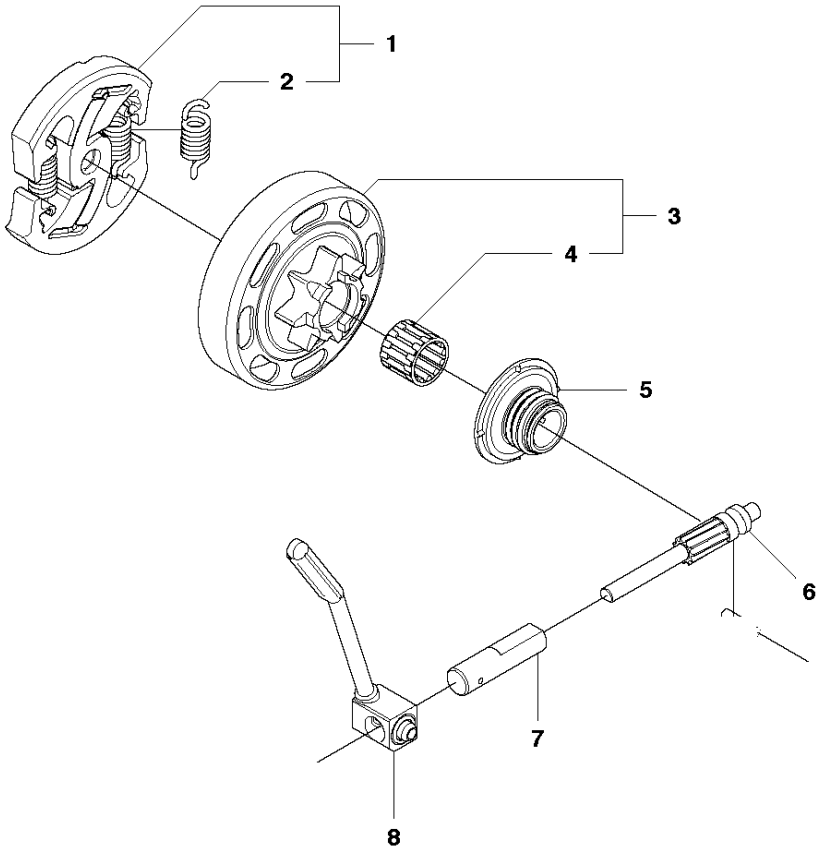


CHAIN BRAKE & CLUTCH COVER

440 E, 20111800001-Current

| Ref | Part No | Description | Remark | QTY | KIT |
|-----|--------------|-------------------|--------|-----|-----|
| 1 | 544 19 49-05 | CLUTCH COVER ASSY | | 1 | |
| 2 | 504 54 28-01 | COVER LID | | 1 | 1 |
| 3 | 544 30 60-01 | BRAKE BAND ASSY | | 1 | 1 |
| 4 | 544 25 31-01 | WEAR PROTECTION | | 1 | 1 |
| 5 | 503 85 52-01 | GUIDE BUSHING | | 1 | 1 |
| 6 | 505 89 26-01 | BRAKE SPRING | | 1 | 1 |
| 7 | 544 24 85-01 | COVER LID | | 1 | 1 |
| 8 | 503 89 08-02 | KNEE JOINT ASSY | | 1 | 1 |
| 9 | 503 89 29-01 | PIN | | 1 | 1 |
| 10 | 735 31 08-20 | E-CLIP | | 1 | 1 |
| 11 | 537 39 29-01 | SCREW | | 1 | 1 |
| 12 | 537 34 72-01 | GEAR ASSY | | 1 | 1 |
| 13 | 537 39 26-01 | HEAT PROTECTOR | | 1 | 1 |
| 14 | 544 35 75-01 | LABEL | | 1 | 1 |
| 15 | 503 21 70-10 | SCREW CCRPANT | | 10 | 1 |
| 16 | 525 35 43-01 | BEARING SLEEVE | | 1 | 1 |
| 17 | 505 32 10-01 | WEAR PLATE | | 1 | 1 |
| 18 | 537 34 78-01 | KNOB | | 1 | |

B 440e
CLUTCH & OIL PUMP

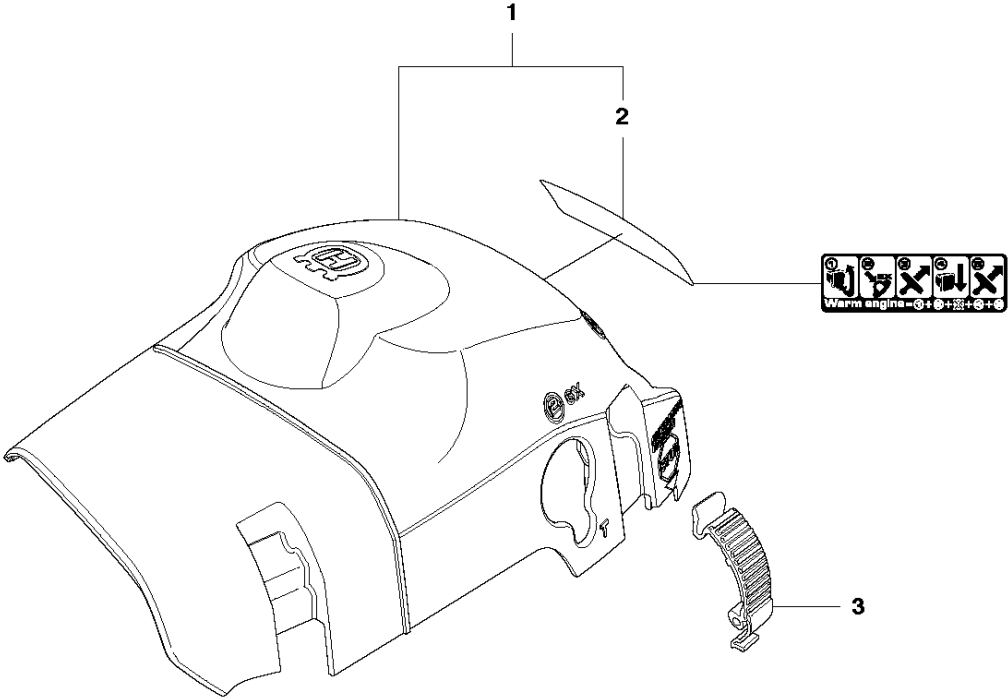


CLUTCH & OIL PUMP

440 E, 20111800001-Current

| Ref | Part No | Description | Remark | QTY | KIT |
|-----|--------------|------------------|--------|-----|-----|
| 1 | 575 56 80-01 | CLUTCH ASSY | | 1 | |
| 2 | 574 71 88-01 | CLUTCH SPRING | | 2 | 1 |
| 3 | 505 44 15-01 | CLUTCH DRUM ASSY | | 1 | |
| 4 | 503 53 92-01 | NEEDLE BEARING | | 1 | 3 |
| 5 | 544 21 24-02 | WORM GEAR | | 1 | |
| 6 | 540 05 79-01 | PUMP PISTON | | 1 | |
| 7 | 537 15 48-01 | PUMP CYLINDER | | 1 | |
| 8 | 544 08 42-01 | OIL HOSE | | 1 | |

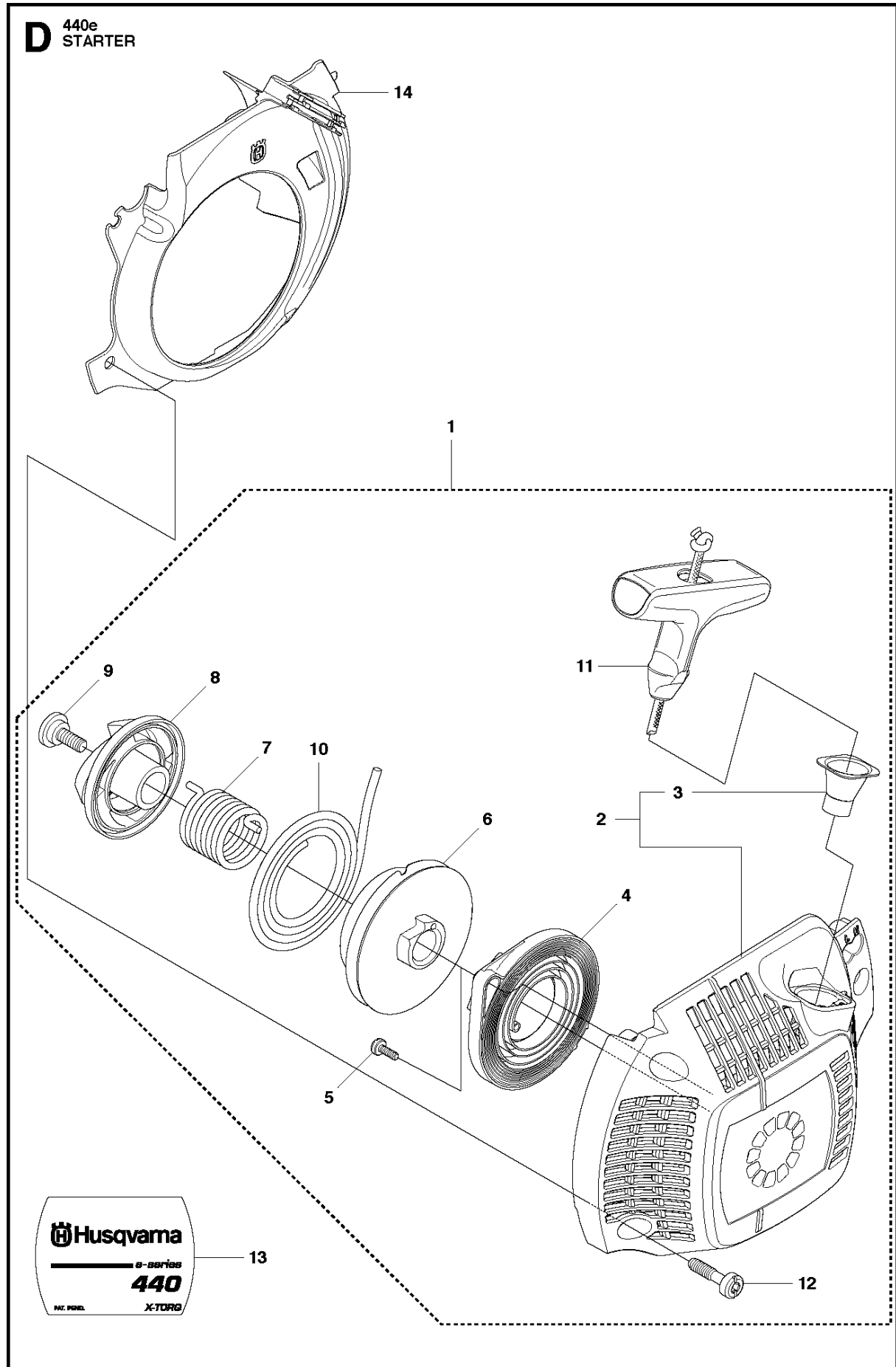
C 440e
CYLINDER COVER



CYLINDER COVER

440 E, 20111800001-Current

| Ref | Part No | Description | Remark | QTY | KIT |
|-----|--------------|---------------------|--------|-----|-----|
| 1 | 504 79 02-01 | CYLINDER COVER ASSY | | 1 | |
| 2 | 522 73 60-01 | LABEL | | 1 | 1 |
| 3 | 503 89 47-01 | SNAP LOCKING | | 3 | |

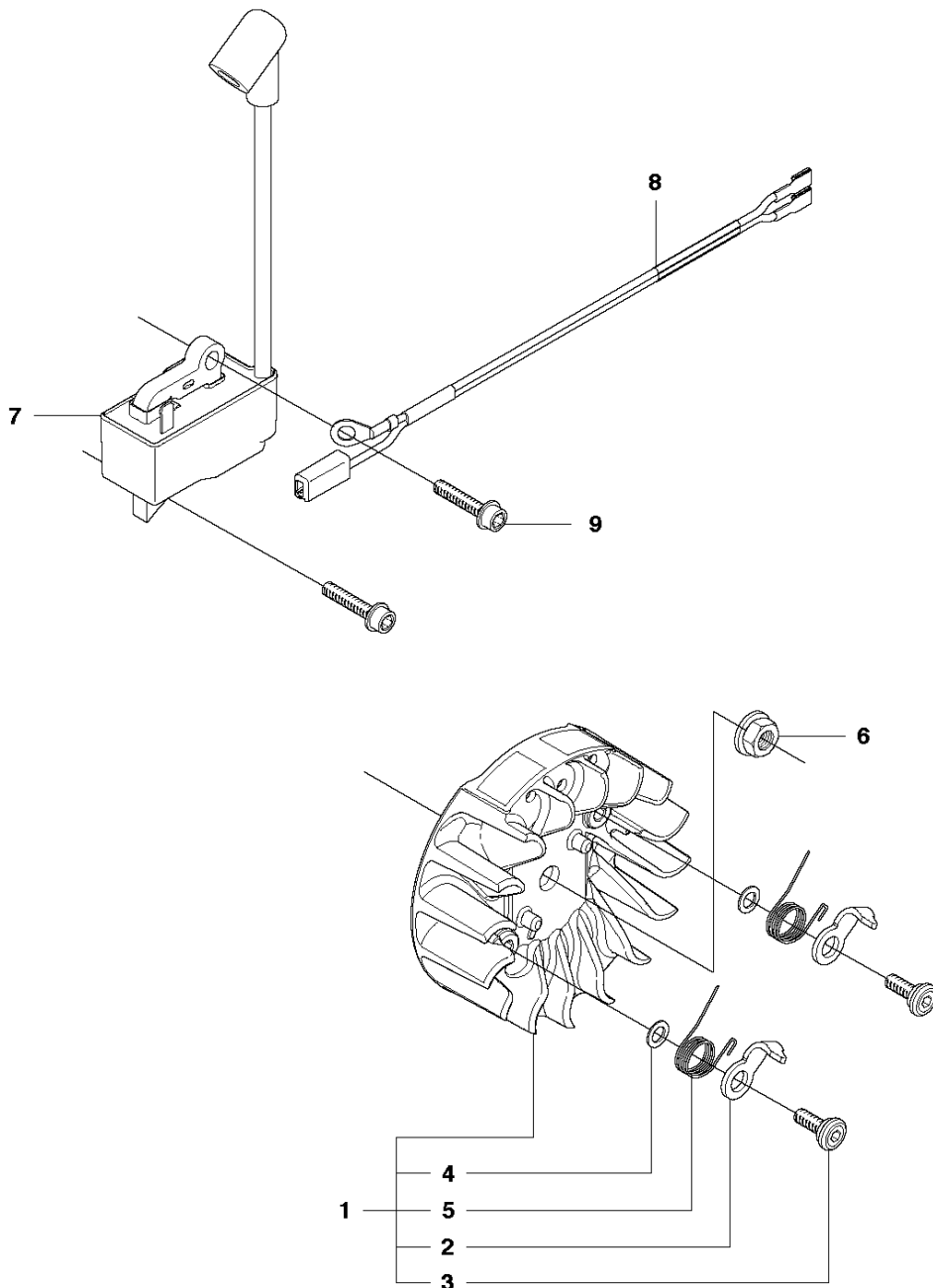


STARTER

440 E, 2011180001-Current

| Ref | Part No | Description | Remark | QTY KIT | |
|-----|--------------|----------------------|--------|---------|---|
| 1 | 544 28 70-02 | STARTER ASSY | | | |
| 2 | 544 28 69-01 | STARTER HOUSING | | 1 | 1 |
| 3 | 537 28 32-01 | SLEEVE | | 1 | 1 |
| 4 | 540 05 75-02 | SPRING CASSETTE ASSY | | 1 | 1 |
| 5 | 503 21 28-10 | SCREW CCRPANT | | 2 | 1 |
| 6 | 537 42 32-01 | STARTER PULLEY | | 1 | 1 |
| 7 | 505 64 73-01 | SPRING | | 1 | 1 |
| 8 | 537 42 33-01 | DRIVER | | 1 | 1 |
| 9 | 537 42 66-01 | SCREW | | 1 | 1 |
| 10 | 505 30 51-25 | STARTER CORD | | 1 | 1 |
| 11 | 537 23 25-01 | STARTER HANDLE | | 1 | 1 |
| 12 | 503 21 73-21 | SCREW | | 4 | 1 |
| 13 | 544 46 36-01 | LABEL | | 1 | |
| 14 | 544 19 71-02 | AIR CONDUCTOR | | 1 | |

E 440e
IGNITION SYSTEM

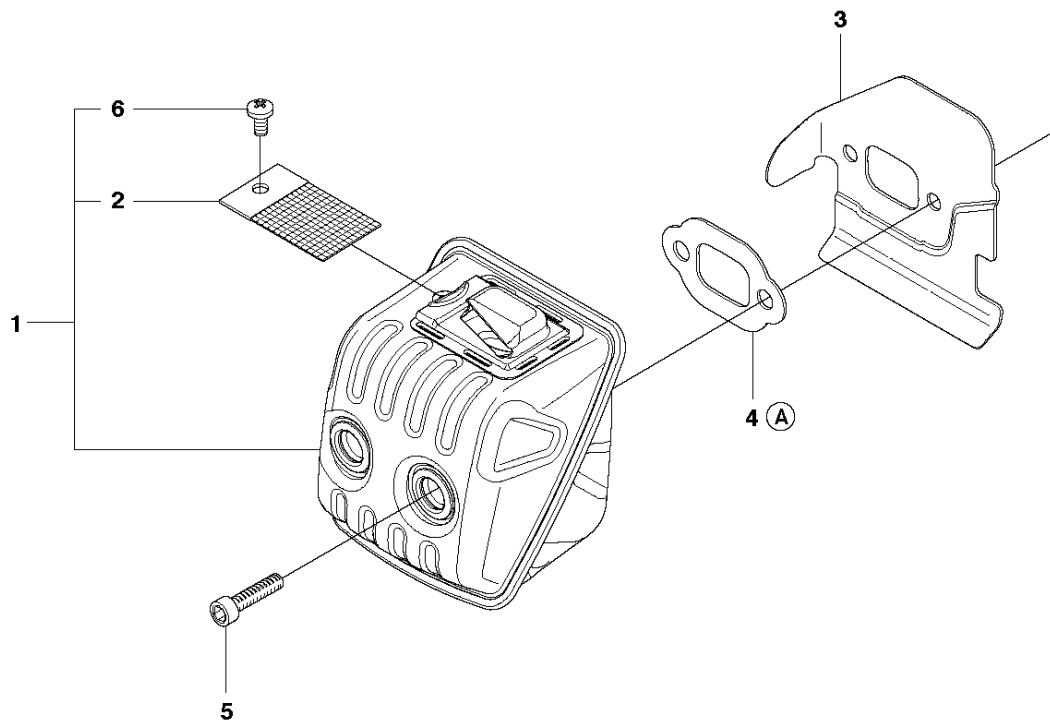


IGNITION SYSTEM

440 E, 20111800001-Current

| Ref | Part No | Description | Remark | QTY | KIT |
|-----|--------------|-----------------|--------|-----|-----|
| 1 | 544 87 42-02 | FLYWHEEL ASSY | | 1 | |
| 2 | 537 24 56-01 | STARTER PAWL | | 2 | 1 |
| 3 | 501 81 99-03 | SCREW | | 2 | 1 |
| 4 | 503 23 00-42 | WASHER | | 2 | 1 |
| 5 | 529 27 11-01 | SPRING | | 2 | 1 |
| 6 | 503 22 04-01 | NUT | | 1 | |
| 7 | 573 93 57-02 | IGNITION MODULE | | 1 | |
| 8 | 510 10 14-01 | WIRING ASSY | | 1 | |
| 9 | 503 20 02-20 | SCREW IHSCFM | | 2 | |

F 440e
MUFFLER



7

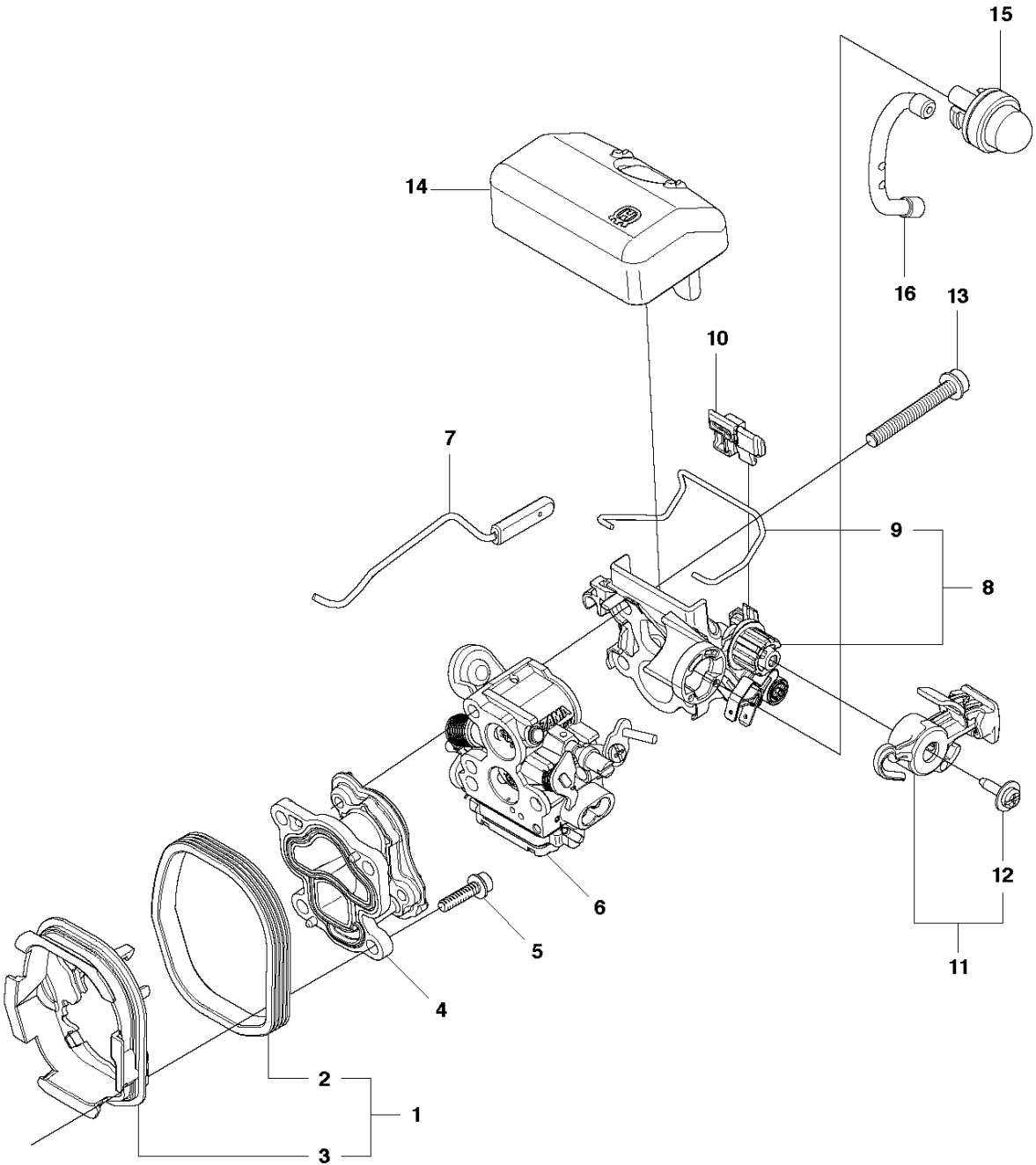
(A) 504 79 40-01
Set of gaskets

MUFFLER

440 E, 20111800001-Current

| Ref | Part No | Description | Remark | QTY | KIT |
|-----|--------------|----------------|--------|-----|-----|
| 1 | 544 14 77-02 | MUFFLER ASSY | | 1 | |
| 2 | 579 75 33-01 | SCREEN | | 1 | 1 |
| 3 | 501 32 31-01 | HEAT DEFLECTOR | | 1 | |
| 4 | 579 75 31-01 | GASKET | | 1 | 7 |
| 5 | 725 53 68-55 | SCREW IHSCM | | 2 | |
| 6 | 724 12 87-59 | SCREW CRPANM | | 1 | 1 |
| 7 | 504 79 40-01 | GASKET | | 1 | |

G 440e
CARBURETOR & AIR FILTER

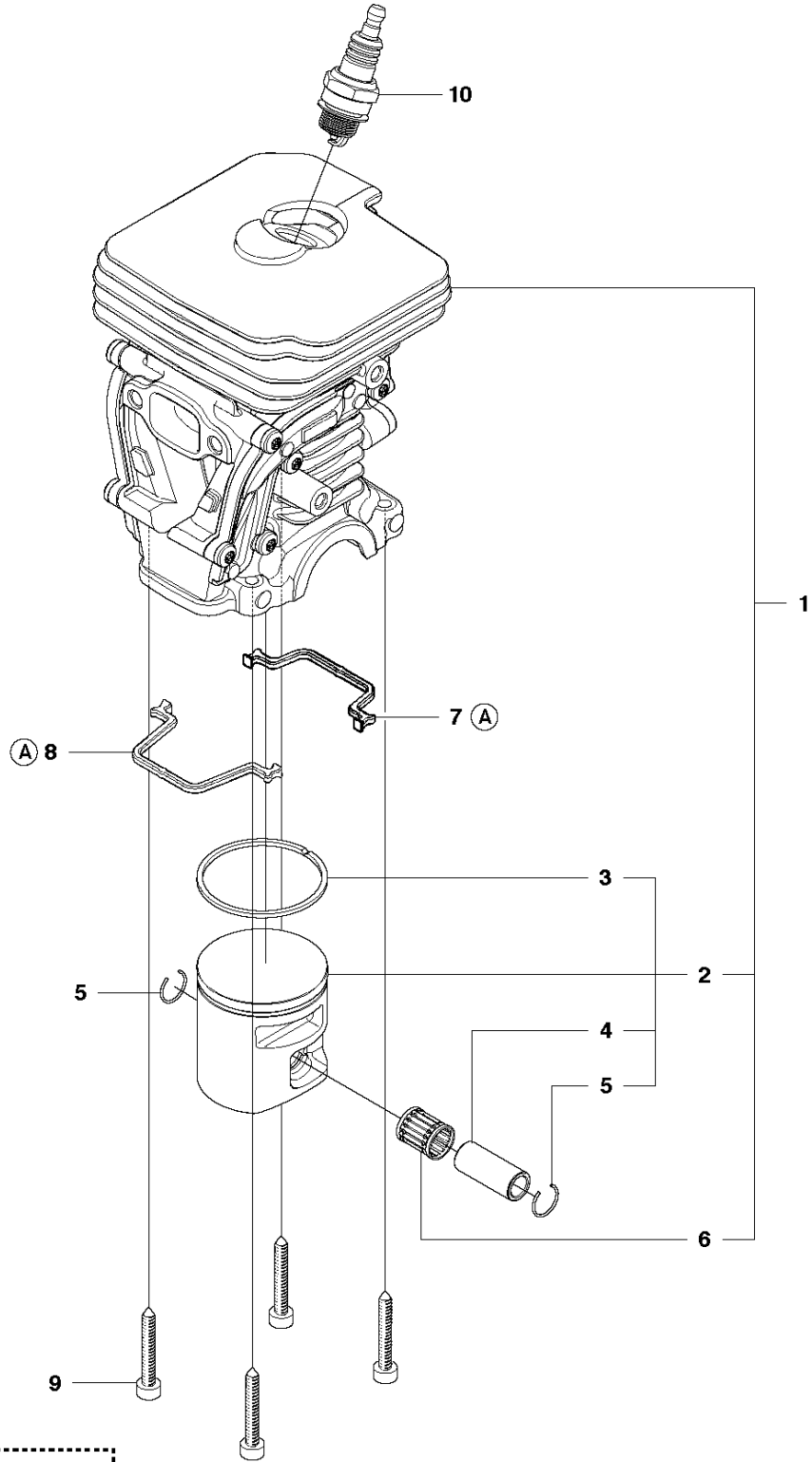


CARBURETOR & AIR FILTER

440 E, 20111800001-Current

| Ref | Part No | Description | Remark | QTY | KIT |
|-----|--------------|-------------------|-----------|-----|-----|
| 1 | 504 72 47-01 | INSULATION WALL | | 1 | |
| 2 | 504 72 45-01 | INSULATION WALL | | 1 | 1 |
| 3 | 504 72 44-01 | INSULATION WALL | | 1 | 1 |
| 4 | 504 20 12-01 | INLET PIPE | | 1 | |
| 5 | 503 20 02-16 | SCREW IHSCFM | | 4 | |
| 6 | 506 45 05-01 | CARBURETTOR | | 1 | |
| 7 | 544 28 44-01 | THROTTLE ROD ASSY | | 1 | |
| 8 | 544 97 64-01 | FILTER HOLDER | | 1 | |
| 9 | 544 39 26-01 | SHACKLE | | 1 | 8 |
| 10 | 504 71 25-01 | GUIDE | | 1 | |
| 11 | 544 84 43-02 | CONTROL | | 1 | |
| 12 | 544 97 66-01 | SCREW | | 1 | 11 |
| 13 | 503 20 02-40 | SCREW IHSCFM | | 3 | |
| 14 | 544 80 54-02 | AIR FILTER | 44 MICRON | 1 | |
| 14 | 544 80 54-03 | AIR FILTER | FELT | 1 | |
| 15 | 503 93 66-01 | PURGE | | 1 | |
| 16 | 544 40 19-01 | HOSE | | 1 | |

H 440e
CYLINDER PISTON



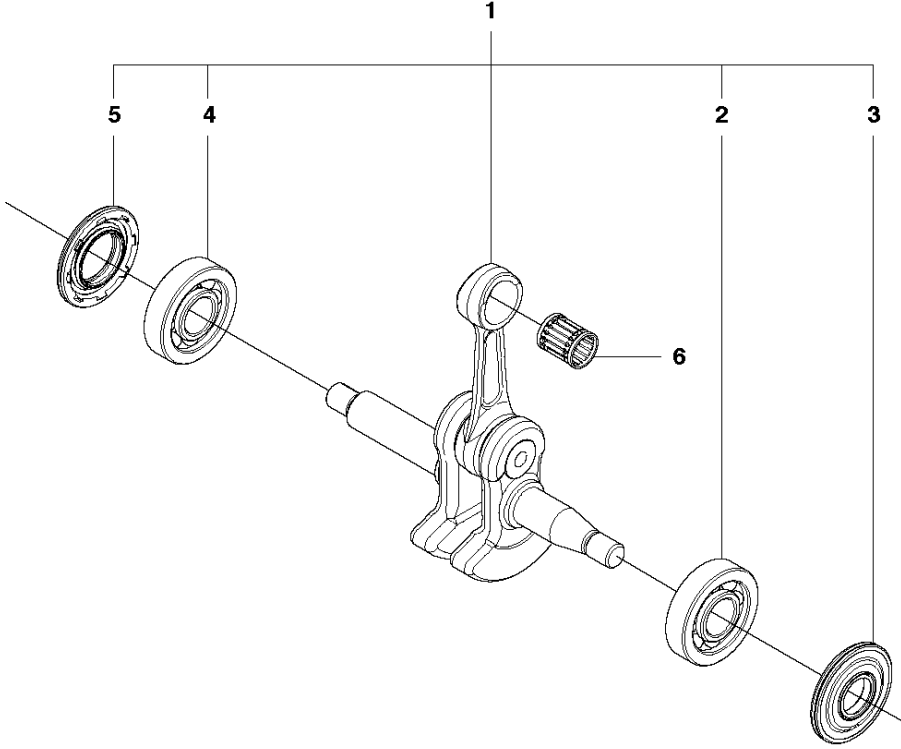
(A) 504 79 40-01
Set of gaskets

CYLINDER PISTON

440 E, 20111800001-Current

| Ref | Part No | Description | Remark | QTY | KIT |
|-----|--------------|----------------|--------|-----|-----|
| 1 | 504 73 51-01 | CYLINDER | | 1 | |
| 2 | 502 62 50-02 | PISTON ASSY | | 1 | 1 |
| 3 | 544 40 59-01 | PISTON RING | | 1 | 2 |
| 4 | 544 40 60-01 | PISTON PIN | | 1 | 2 |
| 5 | 737 44 10-00 | SNAP RING | | 2 | 2 |
| 6 | 503 41 41-01 | NEEDLE BEARING | | 1 | 1 |
| 7 | 544 39 60-01 | GASKET | | 1 | 11 |
| 8 | 544 39 59-01 | GASKET | | 1 | 11 |
| 9 | 725 53 33-55 | SCREW IHSCM | | 4 | |
| 10 | 503 23 51-11 | SPARK PLUG | | 1 | |
| 11 | 504 79 40-01 | GASKET | | 1 | |

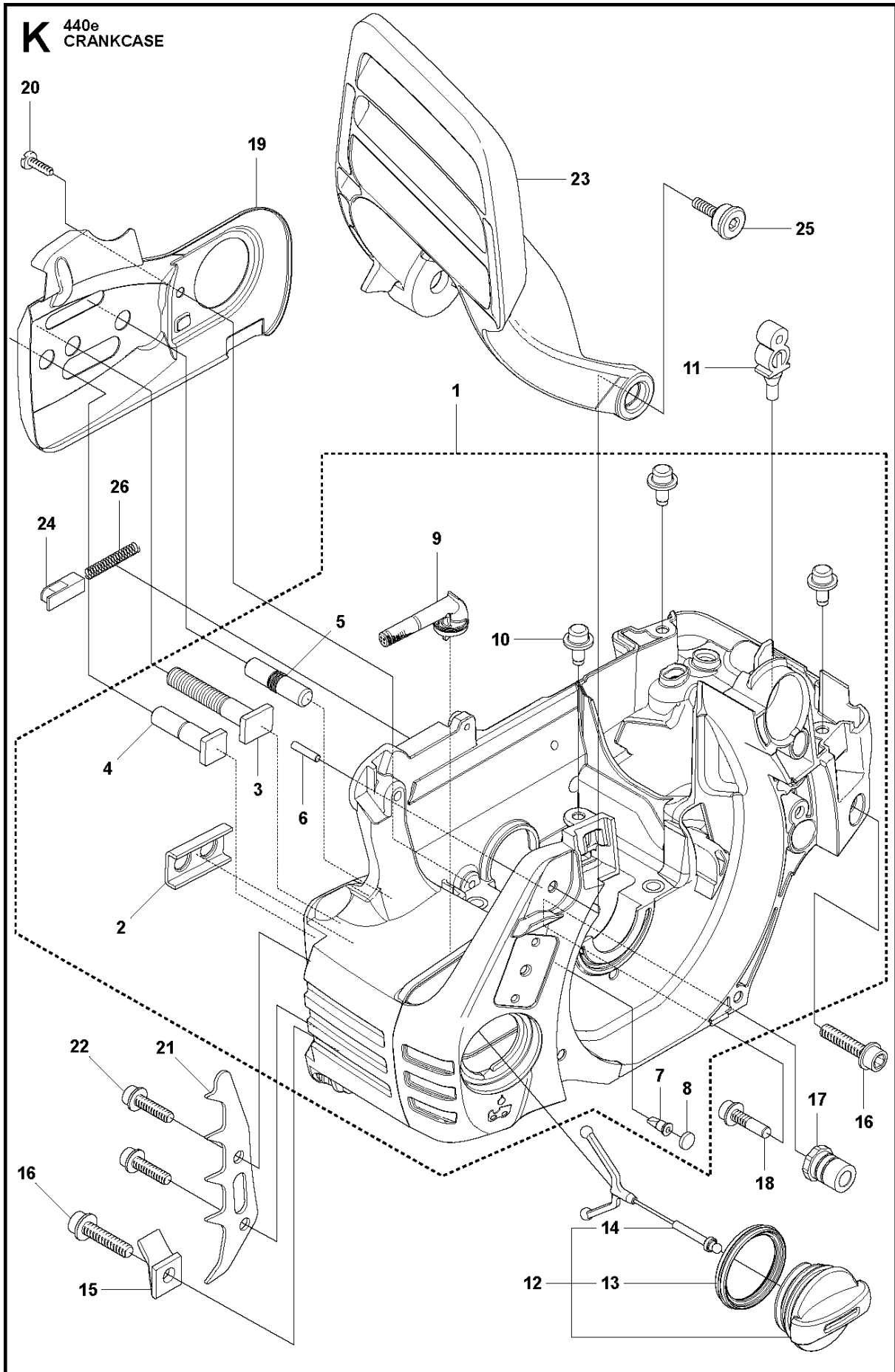
J 440e
CRANKSHAFT



CRANKSHAFT

440 E, 20111800001-Current

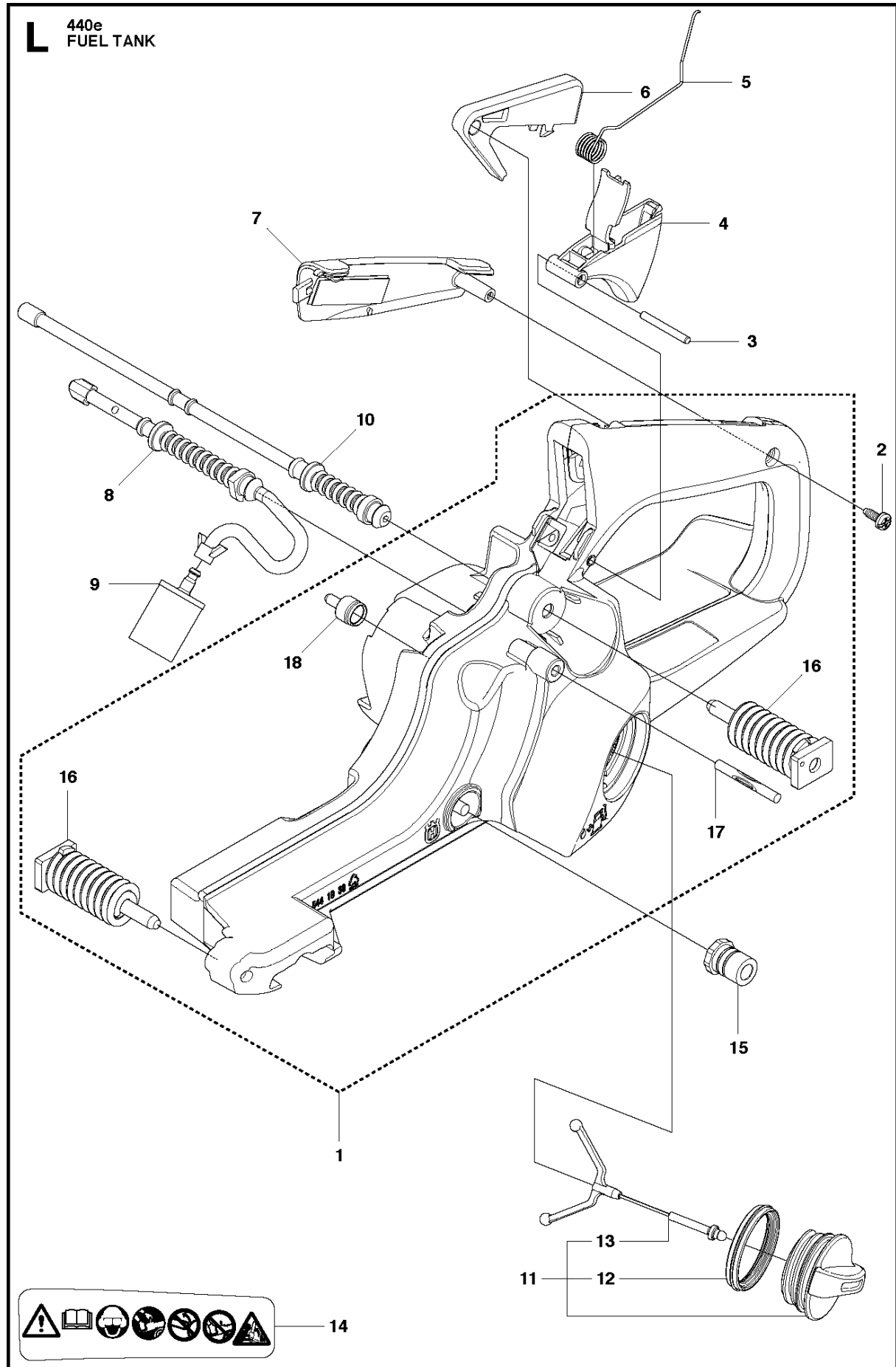
| Ref | Part No | Description | Remark | QTY | KIT |
|-----|--------------|----------------|--------|-----|-----|
| 1 | 544 34 38-01 | CRANKSHAFT | | 1 | |
| 2 | 544 24 87-02 | BALL BEARING | | 1 | 1 |
| 3 | 544 25 12-01 | SEALING | | 1 | 1 |
| 4 | 544 24 88-02 | BALL BEARING | | 1 | 1 |
| 5 | 544 25 13-01 | SEALING | | 1 | 1 |
| 6 | 503 41 41-01 | NEEDLE BEARING | | 1 | |



CRANKCASE

440 E, 2011180001-Current

| Ref | Part No | Description | Remark | QTY | KIT |
|-----|--------------|-------------------|--------|-----|-----|
| 1 | 544 93 25-03 | CRANKCASE ASSY | | 1 | |
| 2 | 503 87 58-02 | STIFFENING PLATE | | 1 | 1 |
| 3 | 503 87 54-02 | BAR BOLT | | 1 | 1 |
| 4 | 537 33 46-01 | BAR BOLT | | 1 | 1 |
| 5 | 544 03 64-01 | BAR BOLT | | 1 | 1 |
| 6 | 503 24 09-05 | NEEDLE ROLLER | | 1 | 1 |
| 7 | 530 02 61-19 | CHECK VALVE | | 1 | 1 |
| 8 | 537 40 35-01 | FILTER | | 1 | 1 |
| 9 | 544 08 33-01 | OIL SCREEN | | 1 | 1 |
| 10 | 544 33 16-01 | GUIDE PIN | | 3 | 1 |
| 11 | 503 86 93-01 | SUPPORT | | 1 | |
| 12 | 544 11 12-01 | TANK CAP ASSY | | 1 | |
| 13 | 537 21 50-01 | SEALING | | 1 | 12 |
| 14 | 503 57 89-01 | HOLDER | | 1 | 12 |
| 15 | 503 88 63-01 | PIN | | 1 | |
| 16 | 503 21 88-76 | SCREW IHSCCT | | 2 | |
| 17 | 501 00 76-01 | SUPPORT | | 1 | |
| 18 | 503 21 51-03 | SCREW IHSCCT | | 1 | |
| 19 | 544 28 46-01 | CHAIN GUIDE PLATE | | 1 | |
| 20 | 503 21 70-10 | SCREW CCRPANT | | 1 | |
| 21 | 544 28 65-01 | SPIKE | | 1 | |
| 22 | 503 21 75-20 | SCREW IHSCFT | | 2 | |
| 23 | 544 25 15-01 | HAND GUARD | | 1 | |
| 24 | 503 89 24-01 | LOCK | | 1 | |
| 25 | 503 89 30-01 | SCREW | | 2 | |
| 26 | 503 43 65-01 | POSITION SPRING | | 1 | |

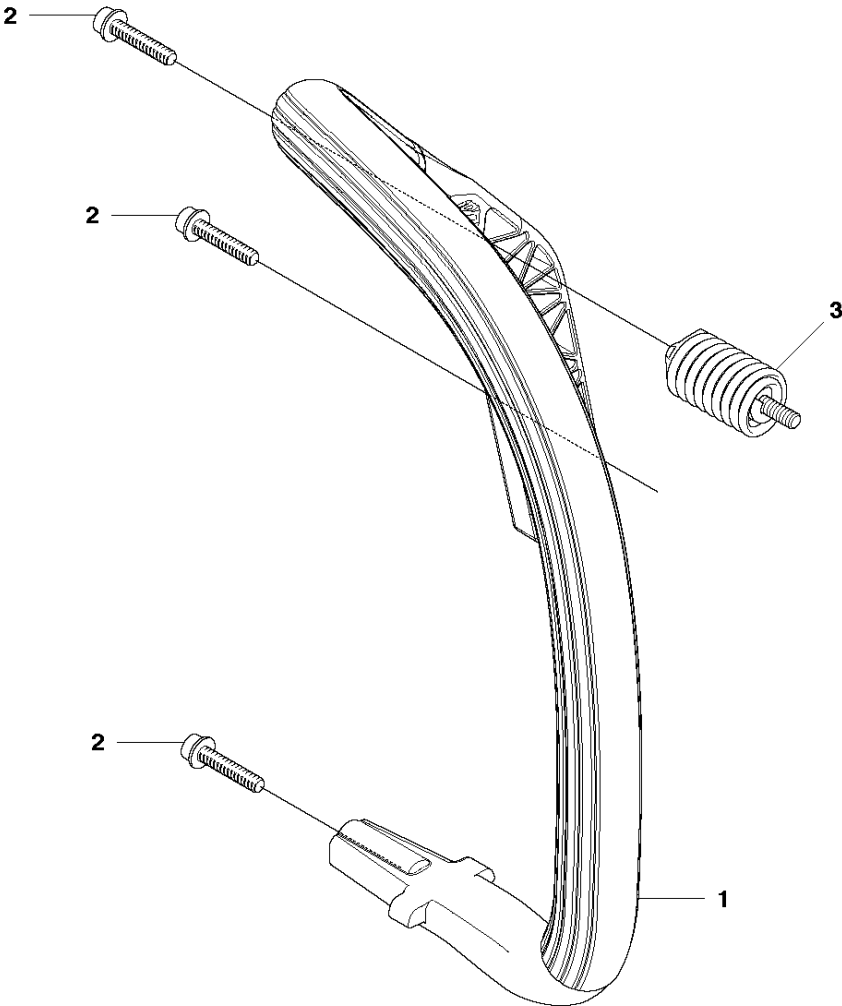


FUEL TANK

440 E, 2011180001-Current

| Ref | Part No | Description | Remark | QTY | KIT |
|-----|--------------|-----------------------|--------|-----|-----|
| 1 | 544 19 38-05 | FUEL TANK | | 1 | |
| 2 | 503 21 28-10 | SCREW CCRPANT | | 1 | |
| 3 | 720 18 25-20 | PARALLEL PIN | | 1 | |
| 4 | 544 96 85-01 | THROTTLE CONTROL | | 1 | |
| 5 | 544 09 99-01 | SPRING | | 1 | |
| 6 | 544 28 41-01 | THROTTLE LOCKOUT | | 1 | |
| 7 | 544 28 49-01 | HANDLE INSERT | | 1 | |
| 8 | 544 12 86-01 | FUEL HOSE | | 1 | |
| 9 | 503 44 32-01 | FUEL FILTER | | 1 | |
| 10 | 544 12 97-01 | RETURN HOSE | | 1 | |
| 11 | 544 11 12-01 | TANK CAP ASSY | | 1 | |
| 12 | 537 21 50-01 | SEALING | | 1 | 11 |
| 13 | 503 57 89-01 | HOLDER | | 1 | 11 |
| 14 | 544 37 50-01 | LABEL | | 1 | |
| 15 | 501 00 76-01 | SUPPORT | | 1 | |
| 16 | 504 79 56-01 | ANTIVIBRATION ELEMENT | | 2 | 1 |
| 17 | 721 12 63-39 | GROOVED PIN | | 1 | 1 |
| 18 | 537 35 95-01 | TANK VENT ASSY | | 1 | 1 |

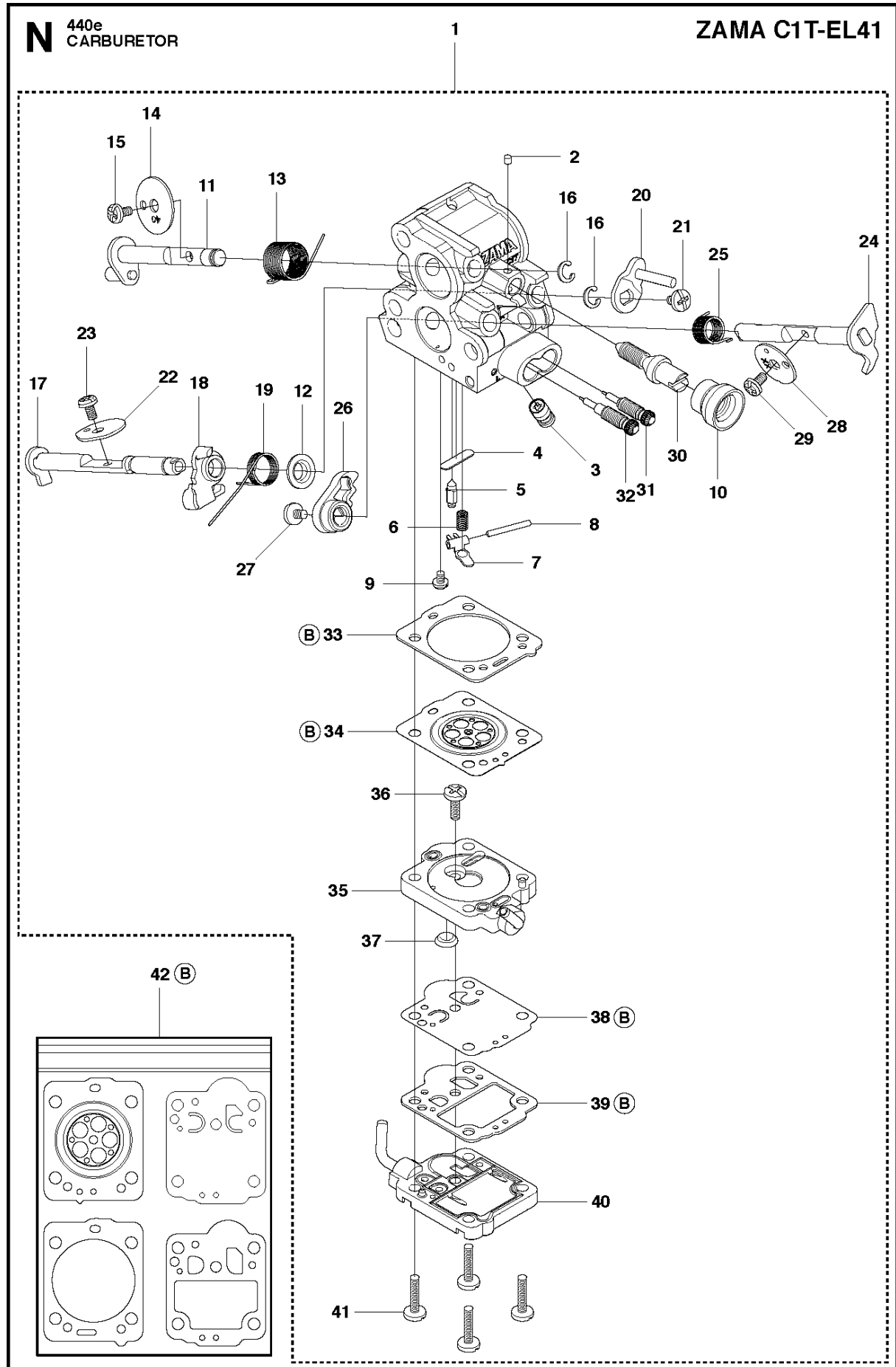
M 440e
HANDLE



HANDLE

440 E, 20111800001-Current

| Ref | Part No | Description | Remark | QTY KIT |
|-----|--------------|-----------------------|--------|---------|
| 1 | 544 28 40-01 | FRONT HANDLE | | 1 |
| 2 | 503 21 88-76 | SCREW IHST | | 3 |
| 3 | 503 89 83-01 | ANTIVIBRATION ELEMENT | | 1 |

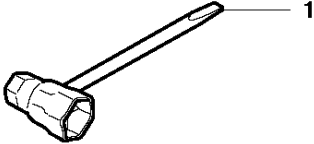


CARBURETOR

440 E, 2011180001-Current

| Ref | Part No | Description | Remark | QTY | KIT |
|-----|--------------|---------------------|--------|-----|-------|
| 1 | 506 45 05-01 | CARBURETTOR | | 1 | |
| 2 | 503 48 11-01 | PIECE | | 1 | 1 |
| 3 | 504 02 40-01 | NOZZLE ASSY | | 1 | 1 |
| 4 | 503 53 56-01 | PLUG WELCH | | 1 | 1 |
| 5 | 503 47 97-01 | VALVE | | 1 | 1 |
| 6 | 537 02 03-01 | SPRING | | 1 | 1 |
| 7 | 503 66 59-01 | LEVER | | 1 | 1 |
| 8 | 503 48 00-01 | PIN RETAINING SCREW | | 1 | 1 |
| 9 | 504 02 41-01 | SCREW | | 1 | 1 |
| 10 | 505 53 52-01 | HUB CAP | | 1 | 1 |
| 11 | 504 02 61-01 | SHAFT ASSY | | 1 | 1 |
| 12 | 505 11 07-01 | COLLAR | | 1 | 1 |
| 13 | 504 02 85-01 | SPRING | | 1 | 1 |
| 14 | 504 02 75-01 | VALVE | | 1 | 1 |
| 15 | 503 48 18-01 | SCREW | | 2 | 1 |
| 16 | 504 02 67-01 | CIRCLIP | | 2 | 1 |
| 17 | 504 02 62-01 | SHAFT ASSY | | 1 | 1 |
| 18 | 540 05 37-01 | LEVER | | 1 | 1 |
| 19 | 504 02 83-01 | SPRING | | 1 | 1 |
| 20 | 504 02 63-01 | LEVER | | 1 | 1 |
| 21 | 503 47 90-01 | SCREW | | 2 | 1 |
| 22 | 504 02 74-01 | VALVE | | 1 | 1 |
| 23 | 503 48 18-01 | SCREW | | 2 | 1 |
| 24 | 504 02 60-01 | SHAFT ASSY | | 1 | 1 |
| 25 | 504 02 84-01 | SPRING | | 1 | 1 |
| 26 | 544 98 31-01 | LEVER | | 1 | 1 |
| 27 | 503 47 90-01 | SCREW | | 2 | 1 |
| 28 | 504 02 76-01 | VALVE | | 1 | 1 |
| 29 | 503 47 92-01 | SCREW | | 1 | 1 |
| 30 | 504 02 73-01 | SCREW | | 1 | 1 |
| 31 | 504 90 92-01 | SCREW | | 1 | 1 |
| 32 | 504 02 81-01 | SCREW | | 1 | 1 |
| 33 | 504 02 43-01 | GASKET | | 1 | 1, 42 |
| 34 | 504 02 45-01 | DIAPHRAGM | | 1 | 1, 42 |
| 35 | 504 02 46-01 | BODY | | 1 | 1 |
| 36 | 504 02 82-01 | SCREW | | 1 | 1 |
| 37 | 504 02 50-01 | STRAINER | | 1 | 1 |
| 38 | 504 02 56-01 | DIAPHRAGM | | 1 | 1, 42 |
| 39 | 504 02 57-01 | GASKET | | 1 | 1, 42 |
| 40 | 504 02 59-01 | COVER | | 1 | 1 |
| 41 | 504 02 78-01 | SCREW | | 4 | 1 |
| 42 | 504 02 86-01 | GASKET KIT | | 1 | |

P 440e
ACCESSORIES

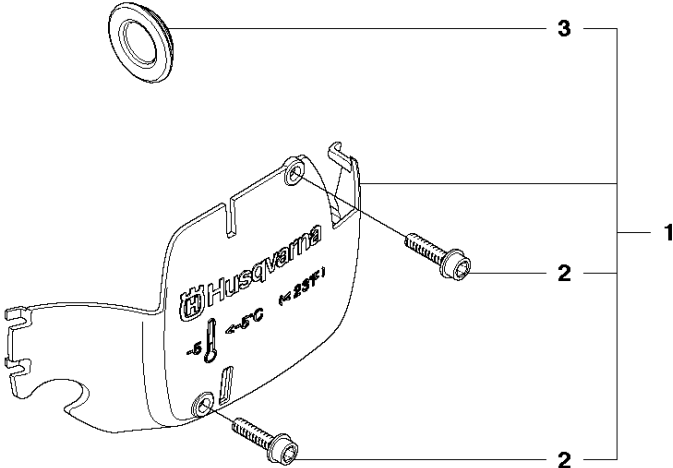


ACCESSORIES

440 E, 20111800001-Current

| Ref | Part No | Description | Remark | QTY KIT |
|-----|--------------|-------------|--------|---------|
| 1 | 503 55 85-04 | TOOL | | 1 |

Q 440e
WINTER KIT



| Ref | Part No | Description | Remark | QTY KIT | |
|-----|--------------|---------------|--------|---------|---|
| 1 | 505 45 04-02 | WINTER KIT | | 1 | |
| 2 | 503 21 70-16 | SCREW CCRPANT | | 2 | 1 |
| 3 | 503 40 59-01 | WINTER PLUG | | 1 | 1 |