

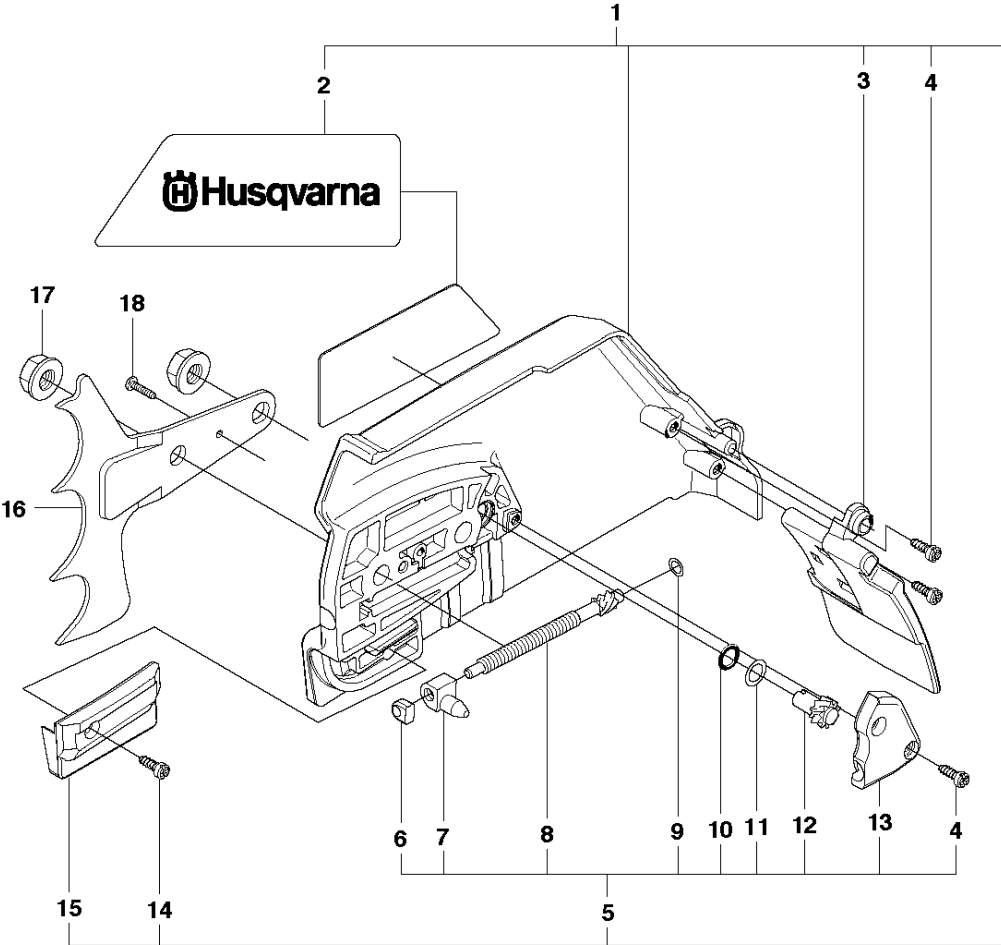


# SPARE PARTS LIST

CHAIN SAWS

365 H

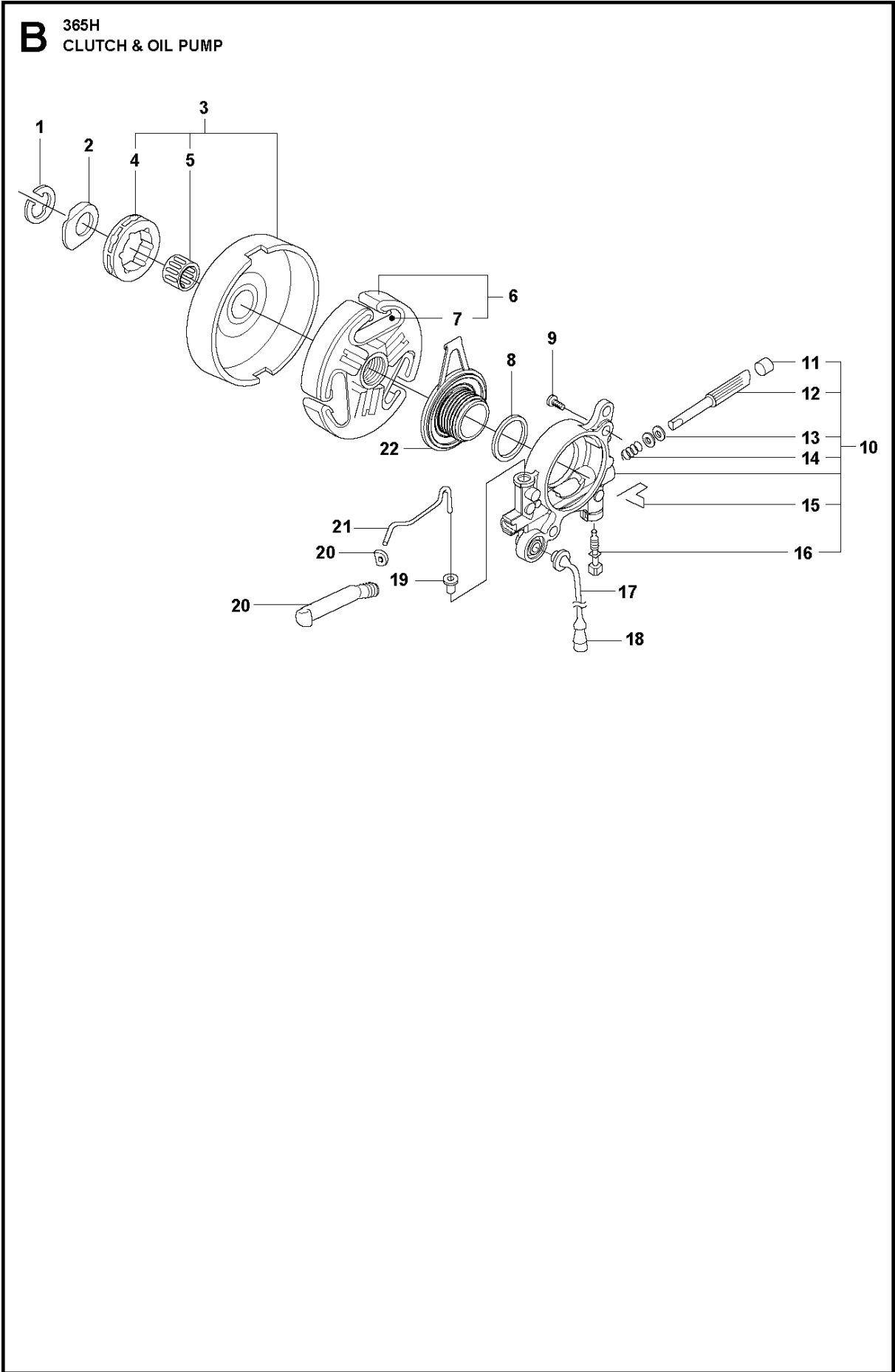
**A** 365H  
CLUTCH COVER



## CLUTCH COVER

365 H

Ref	Part No	Description	Remark	QTY	KIT
1	537 33 10-01	CLUTCH COVER ASSY		1	
2	537 03 38-03	LABEL		1	1
3	537 17 41-01	CHIP GUARD		1	1
4	525 88 74-02	SCREW CITXPANT		4	1,4,5
5	537 04 41-02	CHAIN TENSIONER		1	1
6	537 01 74-01	BEARING SLEEVE		1	1,5
7	503 99 83-01	PAWL		1	1,5
8	537 07 95-02	WORM SCREW		1	1,5
9	503 23 00-66	WASHER		1	1,5
10	740 48 07-02	O-RING		1	1,5
11	503 23 00-63	WASHER		1	1,5
12	537 07 94-02	WORM WHEEL		1	1,5
13	537 01 68-01	COVER		1	1,5
14	525 88 74-02	SCREW CITXPANT		1	1
15	537 04 34-01	CHAIN GUIDE		1	1
16	503 71 97-01	SPIKE		1	
17	503 22 00-01	HEXAGON NUT		2	
18	525 88 74-02	SCREW CITXPANT		1	

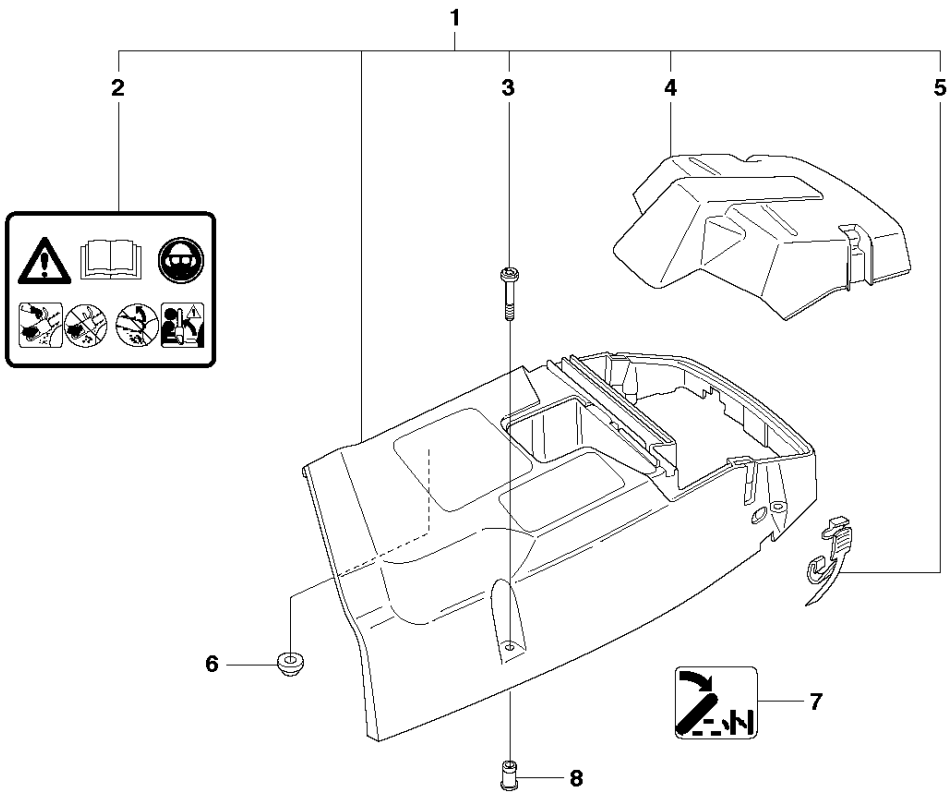


## CLUTCH &amp; OIL PUMP

365 H

Ref	Part No	Description	Remark	QTY	KIT
1	503 27 21-01	E-CLIP		1	
2	503 75 24-01	WASHER		1	1
3	586 98 06-01	CLUTCH DRUM ASSY	"3/8"x7T"	1	1
3	586 98 06-02	CLUTCH DRUM ASSY	"3/8"x8T"	1	1
4	501 59 80-02	RIM	"3/8"x7T"	1	3
4	505 30 36-61	RIM	"3/8"x8T"	1	3
5	503 43 20-01	NEEDLE HOLDER		1	3
6	586 79 84-01	CLUTCH ASSY		1	
7	537 36 06-01	CLUTCH SPRING		3	
8	503 23 00-59	WASHER		1	
9	525 82 49-12	SCREW ITXSCM		2	
10	503 52 13-03	OIL PUMP ASSY		1	
11	503 62 49-01	SEALING PLUG		1	10
12	503 52 15-01	PUMP PISTON		1	10
13	503 23 00-04	WASHER		2	10
14	501 61 58-01	SPRING		1	10
15	503 81 30-01	SPRING		1	10
16	503 81 13-01	SCREW		1	10
17	503 42 67-01	OIL HOSE		1	
18	501 54 41-02	OIL SCREEN		1	
19	504 30 00-26	SEALING		1	
20	503 64 47-01	BUSHING	Up to serial number 20182009999	1	
20	587 29 18-01	OIL PRESSURE HOSE	From serial number 20182100001	1	1
21	503 77 43-01	OIL PIPE		1	
22	537 20 78-07	PUMP PINION		1	

**C** 365H  
CYLINDER COVER

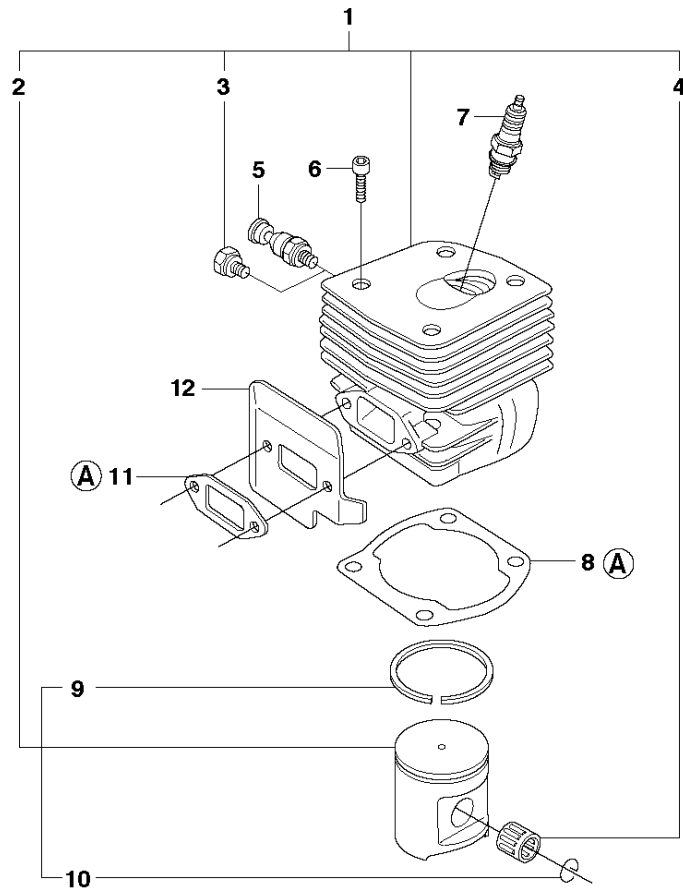


CYLINDER COVER

365 H

Ref	Part No	Description	Remark	QTY KIT	
1	503 62 78-07	CYLINDER COVER ASSY		1	
2	503 98 74-01	LABEL		1	1
3	525 88 70-01	SCREW CITXPANMO		3	1
4	503 62 80-01	FILTER COVER		1	1
5	503 74 01-02	SNAP LOCKING		2	1
6	537 01 65-01	SUPPORT		1	
7	544 41 16-01	LABEL		1	
8	537 05 59-03	SLEEVE		3	1

**D** 365H  
CYLINDER PISTON



13  
Ⓐ 503 64 72-01  
Set of gaskets

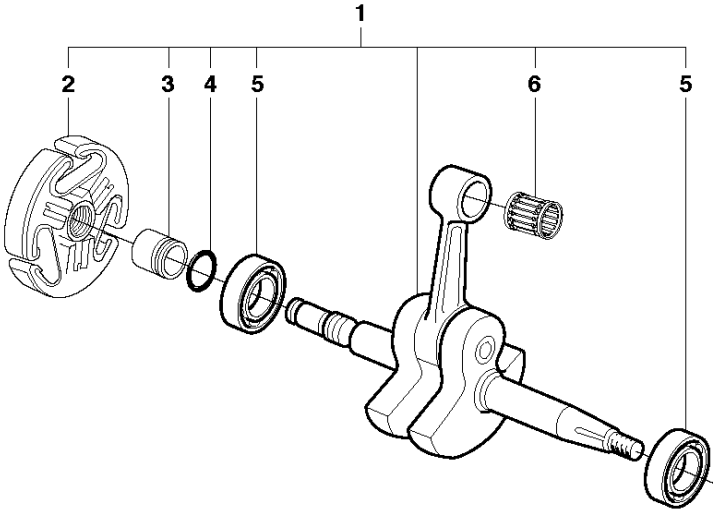


## CYLINDER PISTON

365 H

Ref	Part No	Description	Remark	QTY KIT	
1	503 93 90-05	CYLINDER ASSY		1	
2	581 96 85-02	PISTON ASSY		1	1
3	503 55 22-01	PLUG		1	1
4	577 57 24-01	NEEDLE BEARING		1	1
5	503 71 53-01	DECOMPRESSION VALVE		1	
6	525 82 49-03	SCREW ITXSCM		4	
7	503 23 51-11	SPARK PLUG	BPMR7A	1	
8	503 96 15-01	GASKET		1	13
9	503 28 90-15	PISTON RING		1	1, 2
10	737 43 12-00	SNAP RING		2	1, 2
11	503 77 59-01	GASKET		1	13
12	503 77 58-02	HEAT DEFLECTOR		1	
13	503 64 72-01	GASKET KIT	A = Set of gaskets	1	

**E** 365H  
CRANKSHAFT

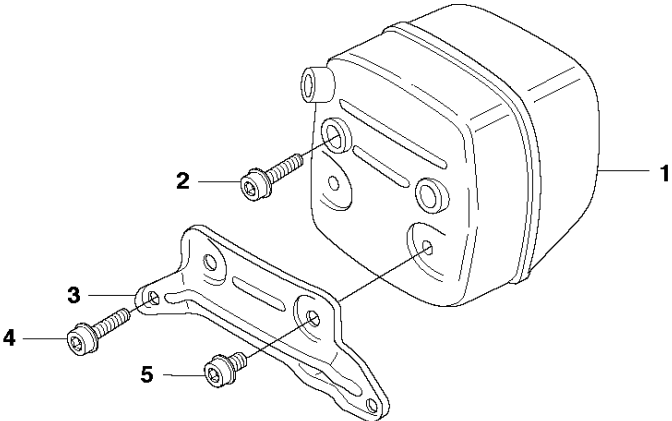


## CRANKSHAFT

365 H

Ref	Part No	Description	Remark	QTY	KIT
1	503 74 87-05	CRANKSHAFT ASSY		1	
2	586 79 84-01	CLUTCH ASSY		1	1
3	503 77 91-01	SLEEVE		1	1
4	503 26 30-19	O-RING		1	1
5	585 97 50-01	BALL BEARING		2	1
6	577 57 24-01	NEEDLE BEARING		1	1

**F** 365H  
MUFFLER

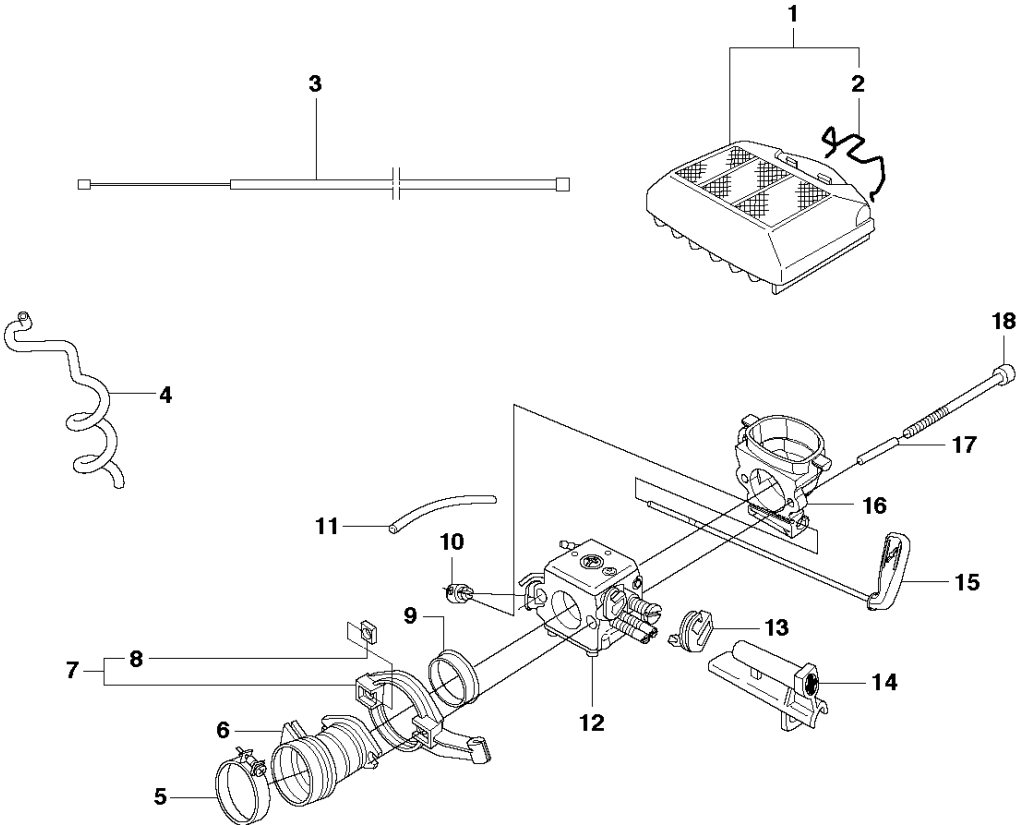


MUFFLER

365 H

Ref	Part No	Description	Remark	QTY	KIT
1	544 02 95-01	MUFFLER ASSY		1	
2	525 82 51-01	SCREW ITXSCM		2	1
3	579 02 59-01	SUPPORT		1	
4	525 75 51-01	SCREW ITXSCFM		2	
5	525 75 51-07	SCREW ITXSCFM		2	

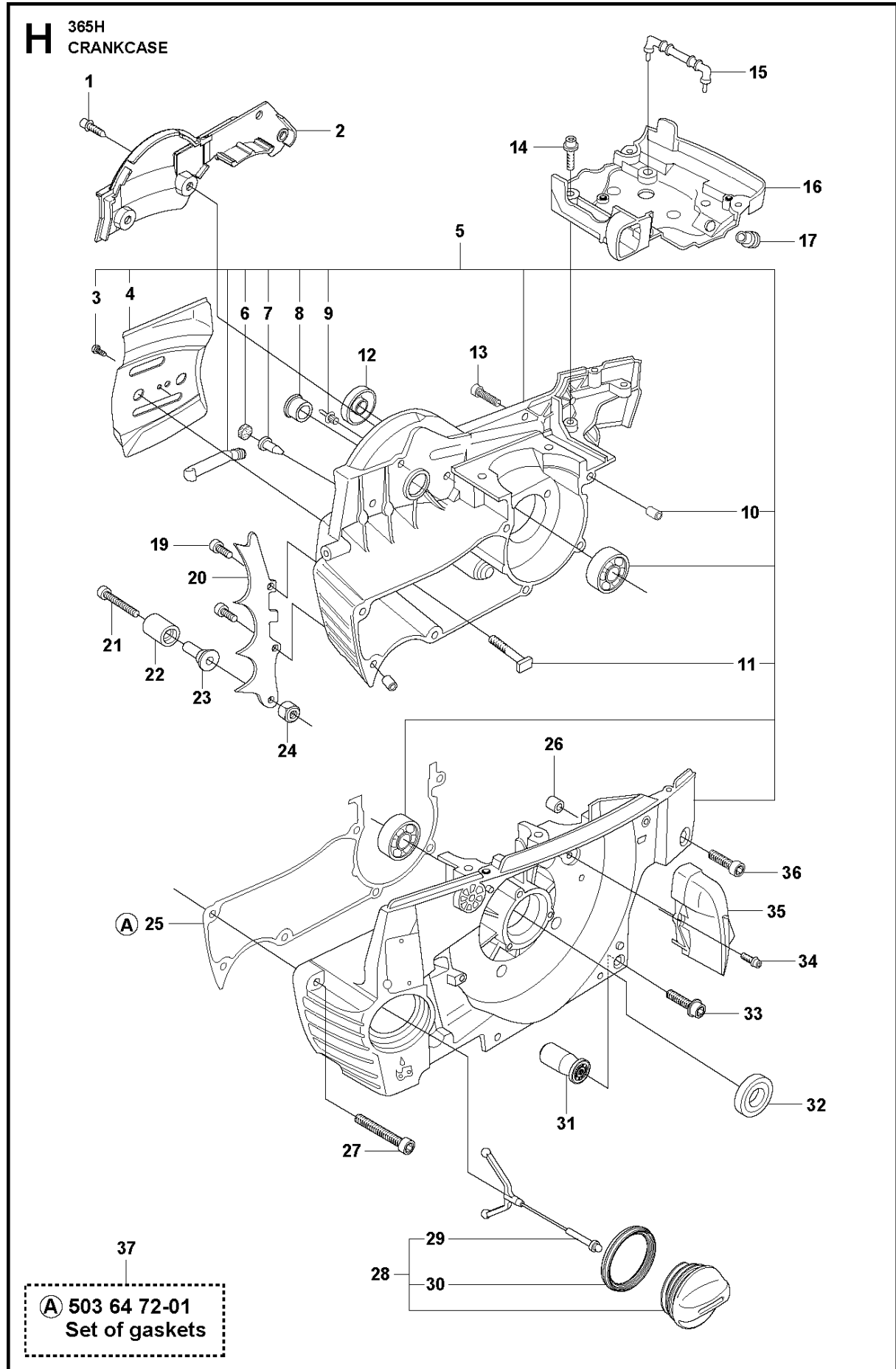
**G** 365H  
CARBURETOR AND AIR FILTER



## CARBURETOR &amp; AIR FILTER

365 H

Ref	Part No	Description	Remark	QTY KIT	
1	575 26 91-01	AIR FILTER ASSY	80μ	1	
1	575 26 91-02	AIR FILTER ASSY	44μ	1	
1	575 26 91-03	AIR FILTER ASSY	Felt	1	
2	503 73 54-01	CLAMP		1	1
3	537 44 15-02	THROTTLE CABLE ASSY		1	
4	581 75 61-16	FUEL HOSE	265 mm	1	
5	505 28 33-09	HOSE CLAMP		1	
6	503 96 45-02	INLET PIPE		1	
7	503 71 27-01	FLANGE		1	
8	503 22 65-03	SQUARE NUT		2	5
9	503 43 18-01	SUPPORT SLEEVE		1	
10	537 44 14-01	ADAPTER		1	
11	503 40 06-06	IMPULSE HOSE		1	
12	503 28 18-04	CARBURETTOR	Walbro HD-6B	1	
13	503 68 41-01	LEVER		1	
14	503 66 53-01	GUIDE BUSHING		1	
15	537 44 12-01	CHOKE CONTROL		1	
16	537 44 16-01	FILTER HOLDER		1	
17	503 70 11-01	TUBE		2	
18	581 14 30-01	SCREW ITXSCM		2	



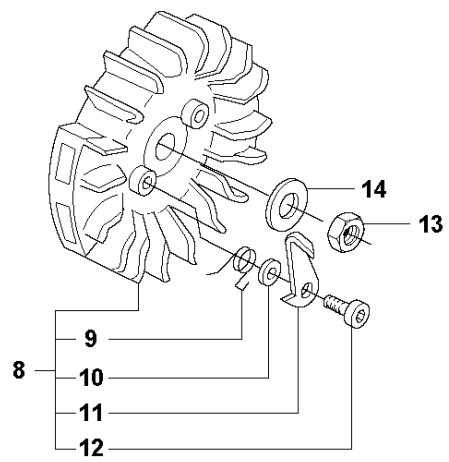
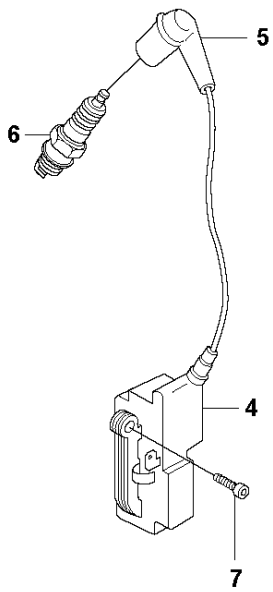
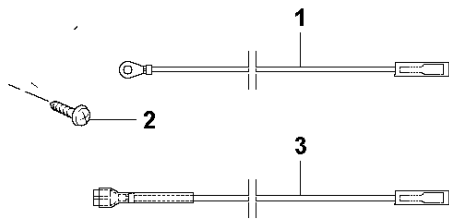


## CRANKCASE

365 H

Ref	Part No	Description	Remark	QTY	KIT
1	525 75 52-01	SCREW ITXSCFM		4	
2	537 44 11-01	BLIND COVER		1	
3	525 88 74-02	SCREW CITXPANT		1	1
4	537 04 66-01	KIT	Up to serial number 20182009999	1	
4	587 29 18-01	OIL PRESSURE HOSE	From serial number 20182100001	1	1
5	503 62 68-19	CRANKCASE ASSY		1	
6	537 40 35-01	FILTER		1	5
7	530 02 61-19	CHECK VALVE		1	5
8	503 96 70-01	BUSHING		1	5
9	503 75 18-01	PIN		1	5
10	501 27 08-01	GUIDE BUSHING		2	5
11	537 05 13-01	BAR BOLT		2	5
12	503 26 03-01	SEALING RING		1	
13	586 44 54-01	SCREW ITXSCM		1	
14	525 75 52-01	SCREW ITXSCFM		4	
15	579 46 89-01	SUPPORT		1	
16	588 09 37-03	CARBURETTOR AREA BASE		1	
17	537 09 54-01	GROMMET		1	
19	575 79 35-01	SCREW ITXPANM		2	
20	537 01 71-01	SPIKE		1	
21	525 75 51-03	SCREW ITXSCFM		1	
22	537 02 44-01	WEAR PROTECTION		1	
23	537 08 92-01	CHAIN CATCHER		1	
24	503 22 24-01	LOCK NUT		1	
25	503 62 72-01	GASKET		1	
26	503 85 73-01	COVER		1	37
27	575 79 12-02	SCREW ITXSCM		6	
28	537 21 52-07	TANK CAP ASSY		1	
29	503 57 89-01	HOLDER		1	
30	589 24 11-01	GASKET		1	
31	501 86 70-01	ANTIVIBRATION ELEMENT		1	
32	505 27 57-19	SEALING RING		1	
33	525 75 52-10	SCREW ITXSCFM		1	
34	525 75 52-01	SCREW ITXSCFM		1	
35	503 62 84-01	AIR NOZZLE		1	
36	525 82 49-13	SCREW ITXSCM		1	
37	503 64 72-01	GASKET KIT	A = Set of gaskets	1	

**J** 365H  
IGNITION SYSTEM

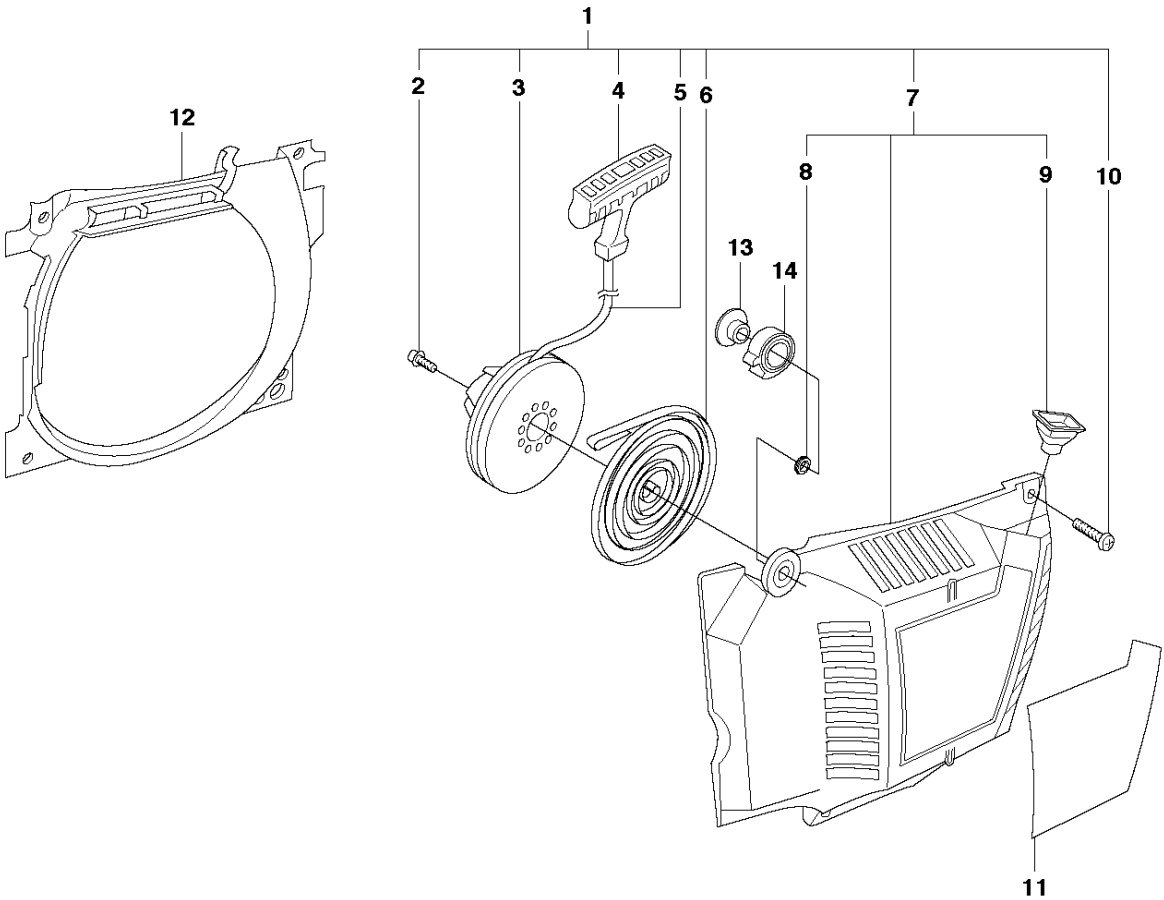


## IGNITION SYSTEM

365 H

Ref	Part No	Description	Remark	QTY	KIT
1	544 11 84-01	CABLE		1	
2	525 88 74-02	SCREW CITXPANT		1	
3	544 11 85-01	CABLE		1	
4	586 88 03-04	IGNITION MODULE		1	
5	501 48 54-02	SPARK PLUG CAP		1	
6	503 23 51-11	SPARK PLUG	NGK BPMR7A	1	
7	582 02 97-01	SCREW ITXSCM		2	
8	537 05 16-05	FLYWHEEL ASSY		1	
9	501 67 35-01	SPRING		2	8
10	503 23 00-42	WASHER		2	8
11	537 01 55-01	STARTER PAWL		2	8
12	506 00 69-01	SCREW		2	8
13	503 22 10-11	HEXAGON NUT		1	
14	503 23 01-01	WASHER		1	

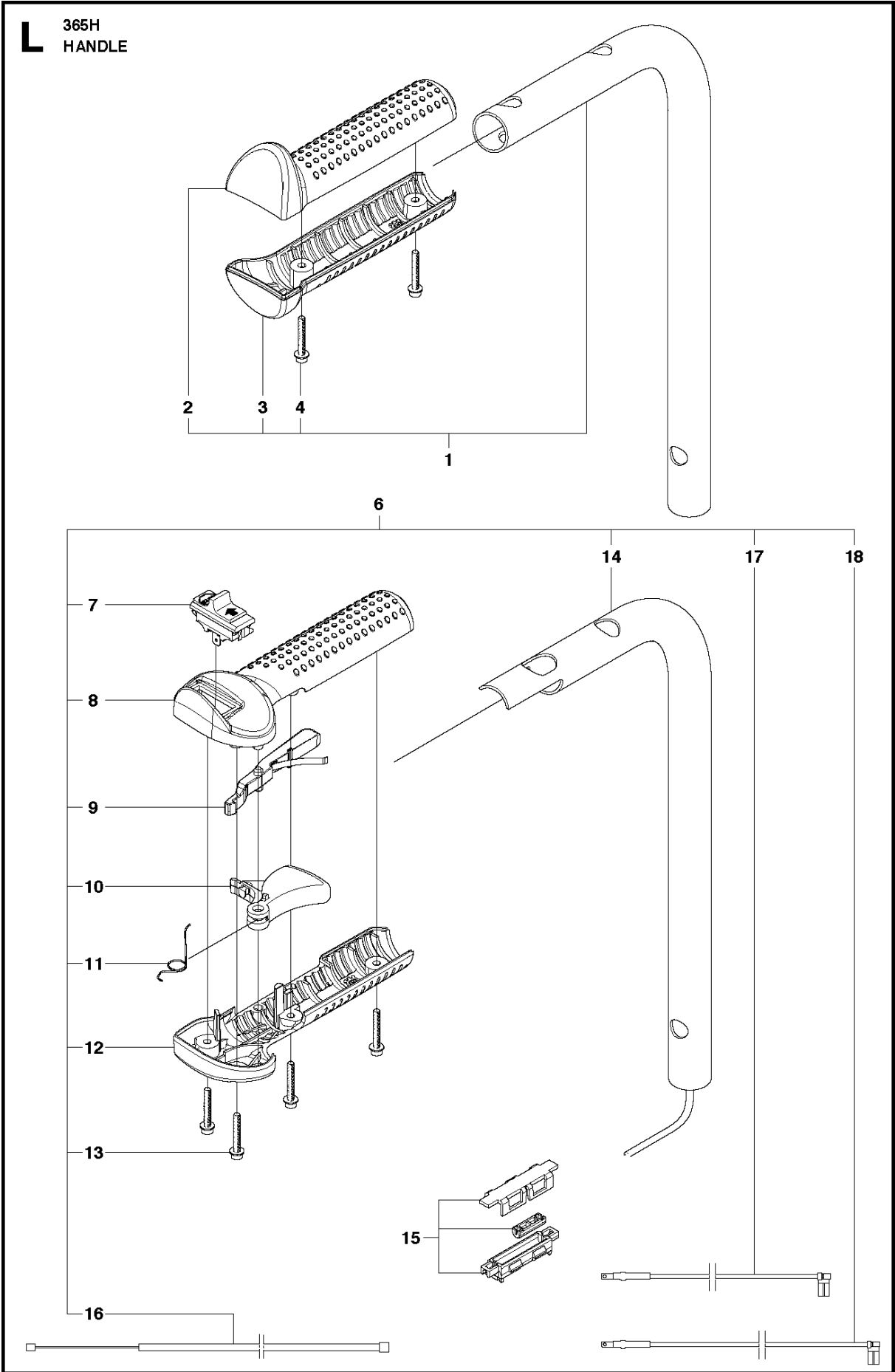
**K** 365H  
STARTER



## STARTER

365 H

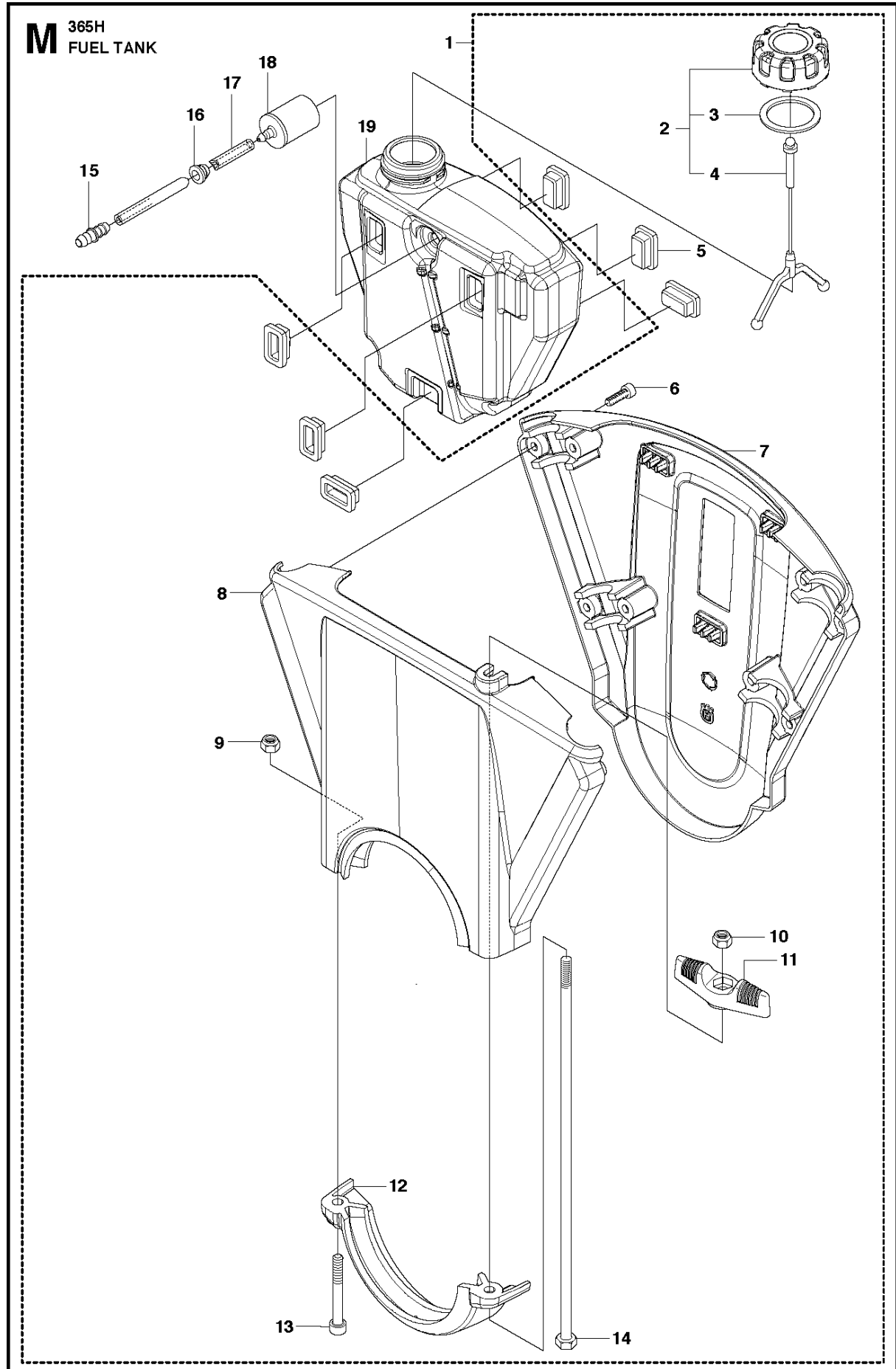
Ref	Part No	Description	Remark	QTY KIT	
1	503 62 81-71	STARTER ASSY		1	
2	586 44 31-01	SCREW ITXSCFT		1	1
3	503 85 96-01	STARTER PULLEY		1	1
4	522 03 73-01	STARTER HANDLE		1	1
5	503 43 29-02	STARTER CORD		1	1
6	537 28 36-02	RECOIL SPRING		1	1
7	503 62 82-02	STARTER HOUSING		1	1
8	537 08 67-01	BUSHING		1	1, 7
9	501 63 06-01	SLEEVE		1	1, 7
10	525 82 45-01	SCREW CITXPANMO		4	1, 7
11	544 41 16-01	LABEL		1	
12	503 62 83-01	AIR CONDUCTOR		1	
13	503 77 52-01	BUSHING		1	
14	506 26 98-01	BUSHING		1	



## HANDLE

365 H

Ref	Part No	Description	Remark	QTY KIT	
1	537 44 01-02	HANDLE		1	
2	537 44 02-01	HANDLE HALF		1	1
3	537 44 03-01	HANDLE HALF		1	1
4	586 44 49-01	SCREW ITXSCT		2	1
6	537 43 96-02	THROTTLE HANDLE ASSY		1	
7	503 71 82-01	SWITCH		1	6
8	537 43 99-01	HANDLE HALF		1	6
9	544 06 14-01	THROTTLE LOCKOUT ASS		1	6
10	537 43 97-01	THROTTLE TRIGGER		1	6
11	537 17 42-01	SPRING THROTTLE TRIG		1	6
12	537 44 00-01	HANDLE HALF		1	6
13	586 44 49-01	SCREW ITXSCT		4	6
14	537 44 04-01	HANDLE TUBE		1	6
15	544 46 00-01	QUICK COUPLING		1	
16	537 44 15-01	THROTTLE CABLE ASSY		1	6
17	544 11 83-02	CABLE	500 mm	1	6
18	544 11 83-01	CABLE	600 mm	1	6

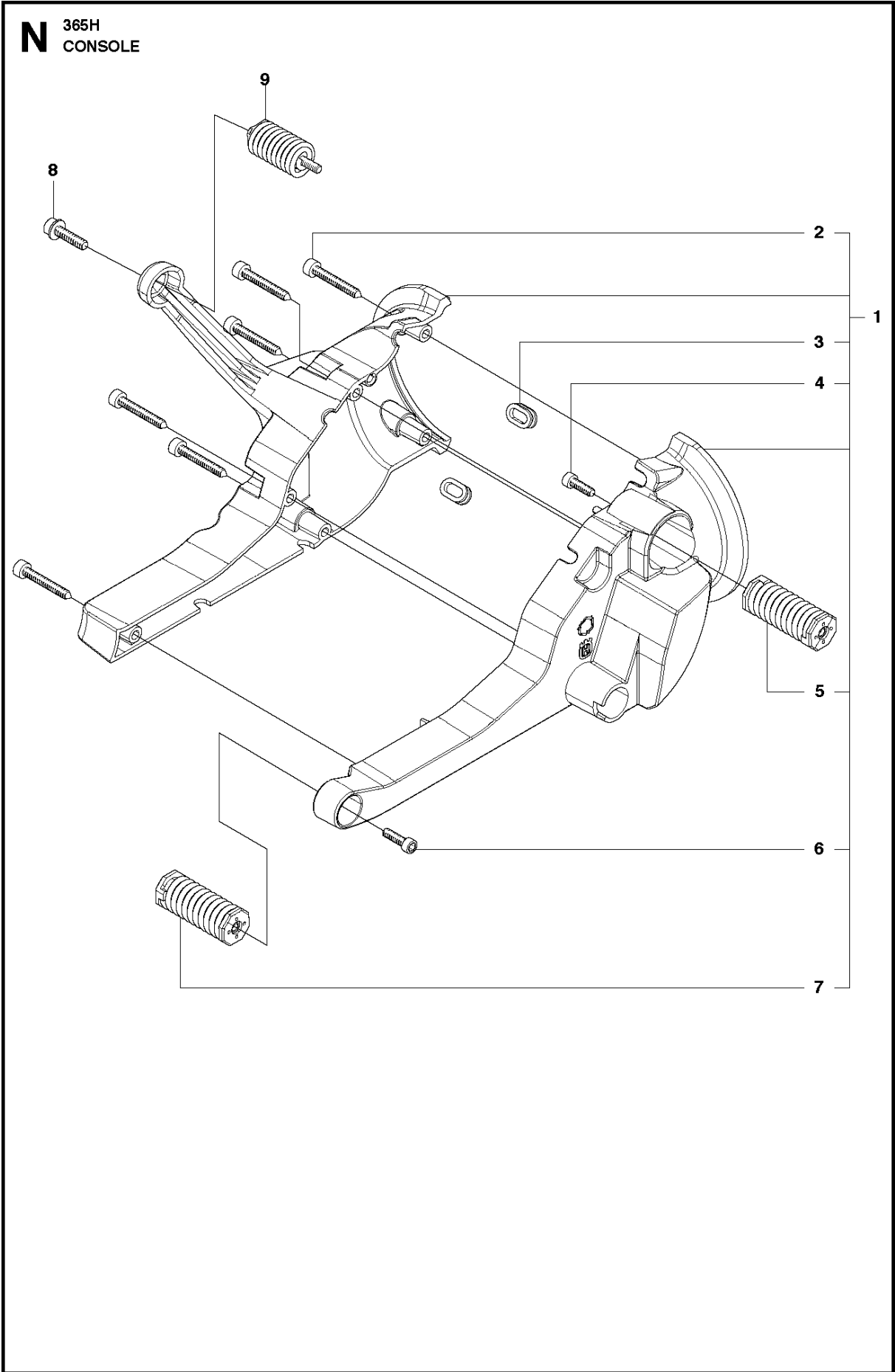




## FUEL TANK

365 H

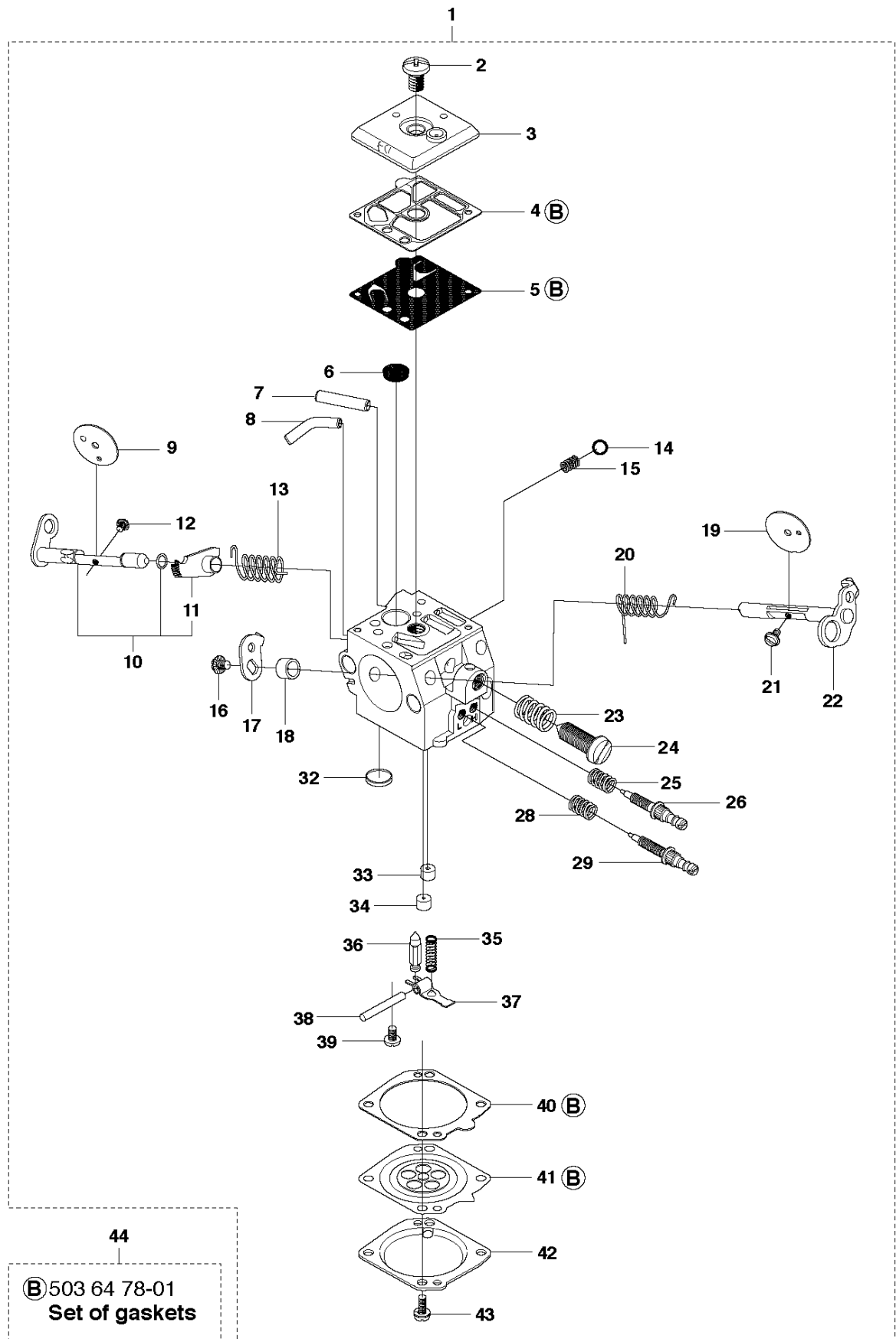
Ref	Part No	Description	Remark	QTY	KIT
1	544 09 42-02	TANK UNIT ASSY		1	
2	504 11 32-01	TANK CAP		1	1
3	501 27 82-01	GASKET		1	1, 2
4	503 57 89-01	HOLDER		1	1, 2
5	503 91 10-01	SUSPENSION		6	1
6	525 82 49-02	SCREW ITXSCM		8	1
7	537 43 94-01	TANK BRACKET		1	1
8	537 43 93-01	TANK BRACKET		1	1
9	732 25 16-01	HEXAGON LOCKING NUT		1	1
10	732 25 16-01	HEXAGON LOCKING NUT		1	1
11	502 20 38-01	KNOB		1	1
12	537 43 95-01	CLAMP		1	1
13	525 82 51-05	SCREW ITXSCM		1	1
14	544 08 18-01	SCREW EHHM		1	1
15	537 05 46-01	NIPPLE		1	
16	503 73 58-01	BUSHING		1	
17	581 75 61-36	FUEL HOSE		1	
18	503 44 32-01	FUEL FILTER		1	
19	537 44 06-01	FUEL TANK		1	



Ref	Part No	Description	Remark	QTY	KIT
1	544 09 39-01	CONSOLE		1	
2	575 79 12-02	SCREW ITXSCM		6	1
3	537 08 83-01	GROMMET		2	1
4	525 75 52-03	SCREW ITXSCFM		1	1
5	544 26 71-01	ANTIVIBRATION ELEMENT		1	1
6	525 75 52-03	SCREW ITXSCFM		1	1
7	544 26 71-01	ANTIVIBRATION ELEMENT		1	1
8	586 44 00-01	SCREW ITXSCFT		1	
9	503 63 75-04	ANTIVIBRATION ELEMENT	STD	1	

**P** 365H  
CARBURETOR

**Walbro HD-6B**

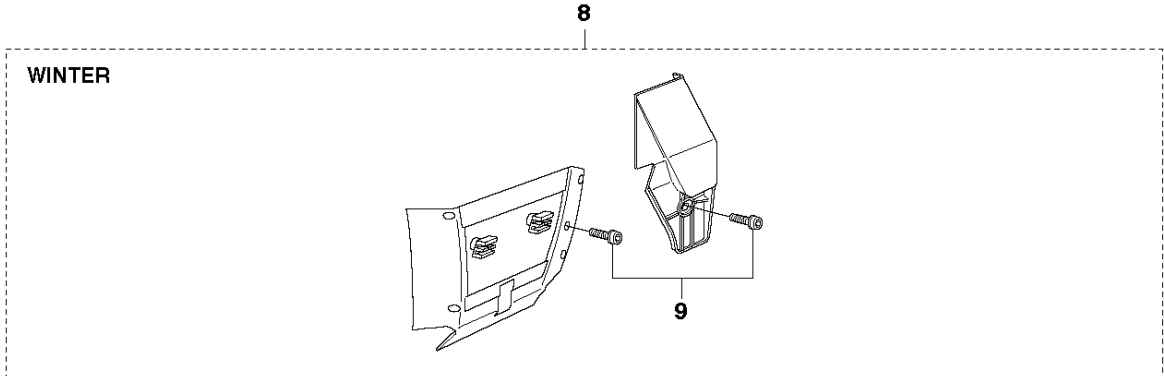
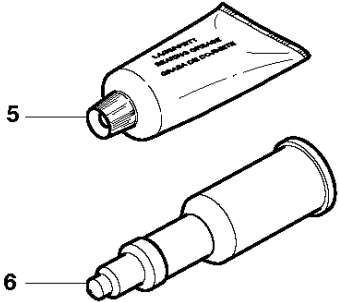
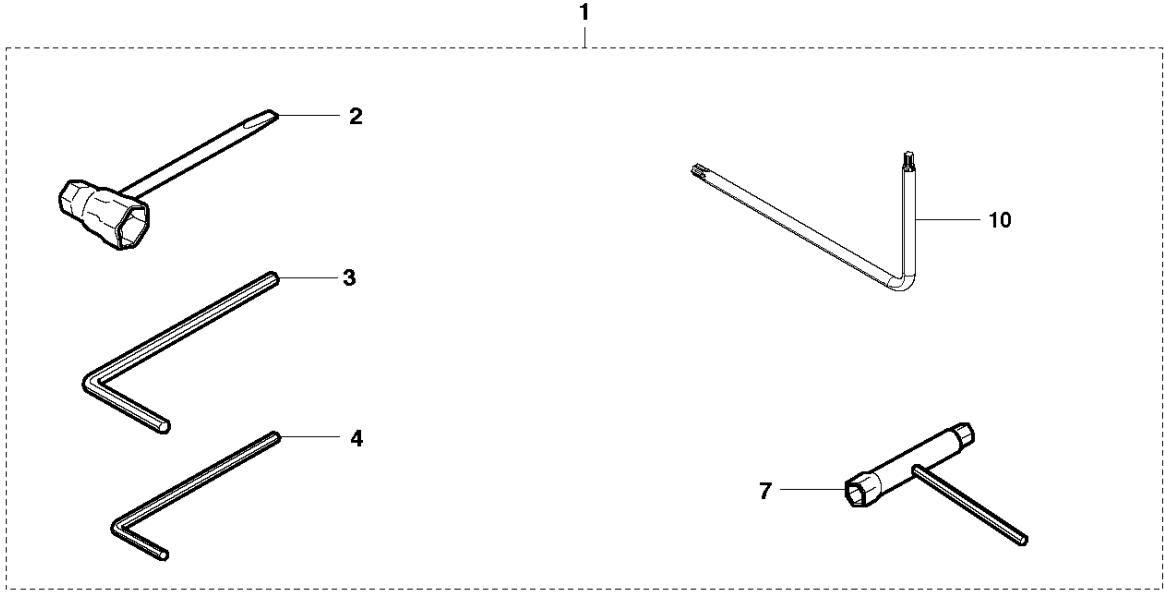


## CARBURETOR

365 H

Ref	Part No	Description	Remark	QTY	KIT
1	503 28 18-04	CARBURETTOR	Walbro HD-6B	1	
2	501 46 69-01	SCREW		1	
3	503 79 98-01	COVER		1	
4	501 66 69-01	GASKET		1	1, 44
5	502 25 47-01	DIAPHRAGM PUMP		1	1, 44
6	501 66 61-01	SCREEN		1	
7	503 85 59-01	FITTING		1	
8	503 80 14-01	FITTING		1	
9	503 85 58-01	VALVE		1	
10	537 01 91-01	SHAFT ASSY		1	
11	537 01 89-01	LEVER		1	1, 10
12	501 46 87-01	SCREW		1	
13	537 01 90-01	SPRING		1	
14	501 46 85-01	BALL		1	
15	501 46 84-01	SPRING		1	
16	501 46 87-01	SCREW		1	
17	503 79 96-01	LEVER		1	
18	503 80 15-01	WASHER		1	
19	503 80 00-01	VALVE		1	
20	503 80 09-01	SPRING		1	
21	530 03 50-15	SCREW		1	
22	503 79 99-01	SHAFT		1	
23	501 66 78-01	SPRING		1	
24	503 80 08-01	SCREW		1	
25	501 66 77-01	SPRING		1	
26	503 80 11-01	NEEDLE	H	1	
28	501 66 77-01	SPRING		1	
29	504 02 72-13	NEEDLE-IDLE SPEED	L	1	
31	503 91 54-01	RETAINER		1	
32	503 57 42-01	PLUG		1	
33	503 80 04-01	NOZZLE		1	
34	503 68 82-01	JET		1	
35	503 56 24-01	SPRING		1	
36	503 56 34-01	NEEDLE VALVE		1	
37	501 66 83-01	LEVER		1	
38	505 52 01-25	PIN		1	
39	505 31 67-17	SCREW		1	
40	504 13 09-05	GASKET		1	1, 44
41	503 80 07-01	DIAPHRAGM		1	1, 44
42	537 07 76-01	COVER		1	
43	503 10 87-01	SCREW		4	
44	503 64 78-01	REPAIR KIT	B = Set of gaskets	1	

**Q** 365H  
ACCESSORIES



## ACCESSORIES

365 H

Ref	Part No	Description	Remark	QTY	KIT
1	503 55 85-03	TOOL KIT		1	
2	501 69 17-01	COMBINATION WRENCH		1	1
3	503 55 86-02	SPANNER	NV5	1	1
4	503 55 86-01	SPANNER	NV4	1	1
5	503 62 12-01	GREASE		1	
6	501 91 14-01	GREASE GUN		1	
7	501 68 89-01	COMBINATION WRENCH		1	1
8	503 96 90-11	WINTER KIT	WINTER	1	
9	586 50 52-01	SCREW CITXPANT		2	8
10	575 88 07-01	WRENCH	TORX T27/T20	1	1