

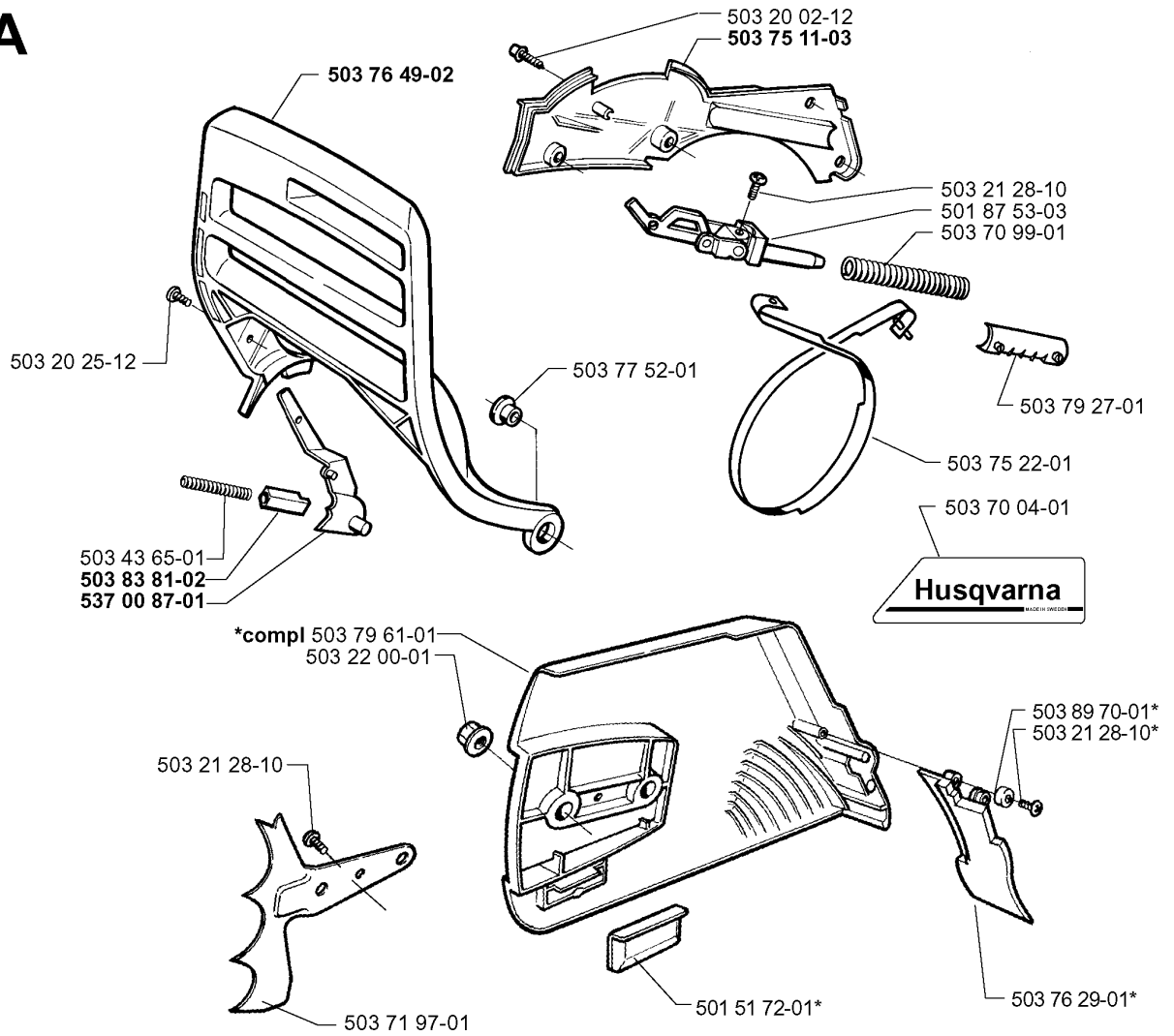


SPARE PARTS LIST

CHAIN SAWS

365, 19991400001-19994699999

A

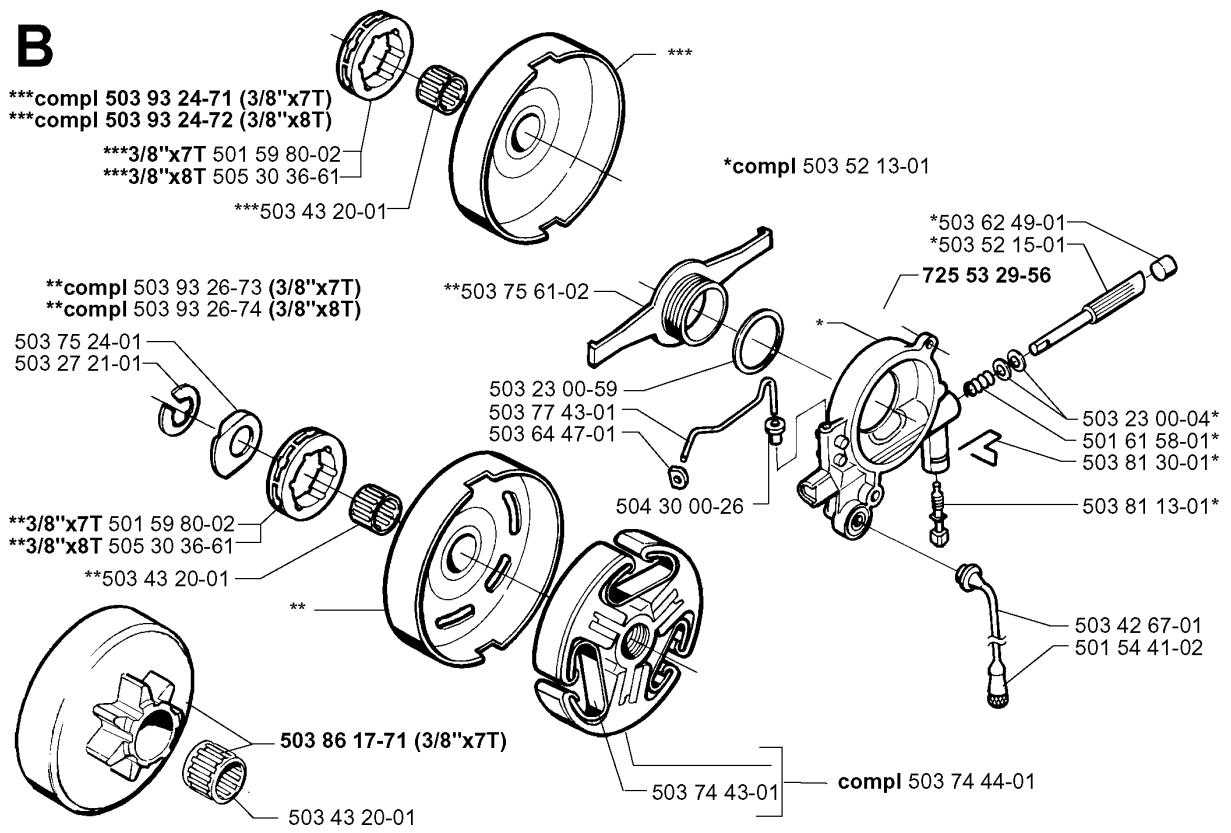


CHAIN BRAKE

365, 19991400001-19994699999

Part No	Description	Remark	QTY KIT
501 51 72-01	CHAIN GUIDE		1
501 87 53-03	KNEE JOINT		1
503 20 02-12	SCREW IHSCFM		1
503 20 25-12	SCREW IHSCM		1
503 21 28-10	SCREW CCRPANT		1
503 21 28-10	SCREW CCRPANT		1
503 21 28-10	SCREW CCRPANT		1
503 22 00-01	HEXAGON NUT		1
503 43 65-01	POSITION SPRING		1
503 70 04-01	LABEL		1
503 70 99-01	BRAKE SPRING		1
503 71 97-01	SPIKE		1
503 75 11-03	HUB CAP		1
503 75 22-01	BRAKE BAND ASSY		1
503 76 29-01	CHIP GUARD		1
503 76 49-02	HAND GUARD		1
503 77 52-01	BUSHING		1
503 79 27-01	SUPPORT		1
503 79 61-01	CLUTCH COVER ASSY		1
503 83 81-02	LOCK		1
503 89 70-01	SLEEVE		1
537 00 87-01	BRAKE LEVER		1

B



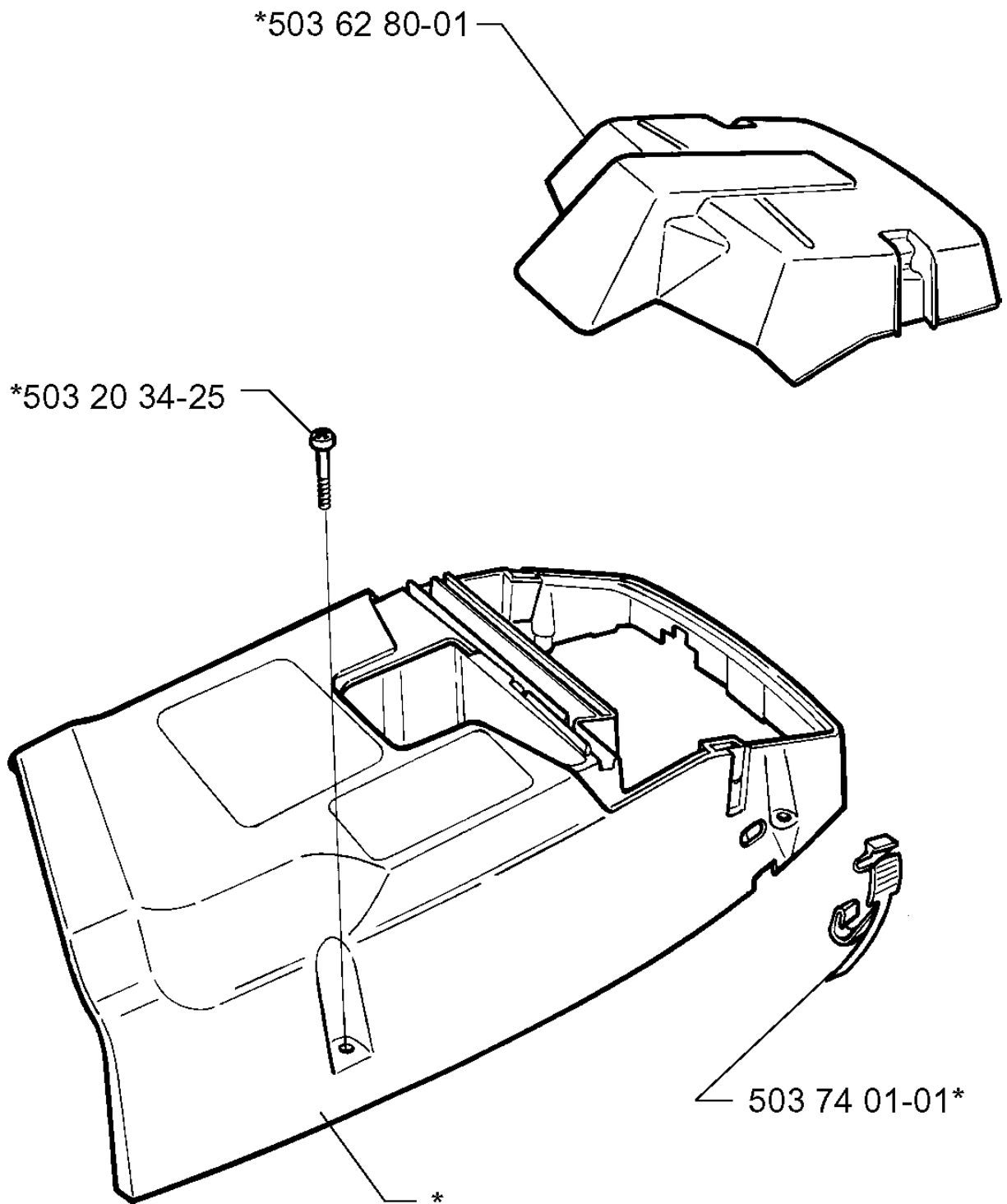
CLUTCH & OIL PUMP

365, 19991400001-19994699999

Part No	Description	Remark	QTY KIT
501 54 41-02	OIL SCREEN		1
501 59 80-02	RIM	3/8X7T	1
501 59 80-02	RIM	3/8X7T	1
501 61 58-01	SPRING		1
503 23 00-04	WASHER		1
503 23 00-59	WASHER		1
503 27 21-01	E-CLIP		1
503 42 67-01	OIL HOSE		1
503 43 20-01	NEEDLE HOLDER		1
503 43 20-01	NEEDLE HOLDER		1
503 43 20-01	NEEDLE HOLDER		1
503 52 13-01	OIL PUMP ASSY		1
503 52 15-01	PUMP PISTON		1
503 62 49-01	SEALING PLUG		1
503 64 47-01	BUSHING		1
503 74 43-01	CLUTCH SPRING		1
503 74 44-01	CLUTCH ASSY		1
503 75 24-01	WASHER		1
503 75 61-02	GEAR WHEEL		1
503 77 43-01	OIL PIPE		1
503 81 13-01	SCREW		1
503 81 30-01	SPRING		1
503 86 17-71	CLUTCH DRUM	3/8X7T	1
503 93 24-71	CLUTCH DRUM	3/8X7T	1
503 93 24-72	CLUTCH DRUM	3/8X8T	1
503 93 26-73	CLUTCH DRUM	3/8X7T	1
503 93 26-74	CLUTCH DRUM	3/8X8T	1
504 30 00-26	SEALING		1
505 30 36-61	RIM	3/8X8T	1
505 30 36-61	RIM	3/8X8T	1
725 53 29-56	SCREW IHSCM		1

C

***compl 503 62 78-02**



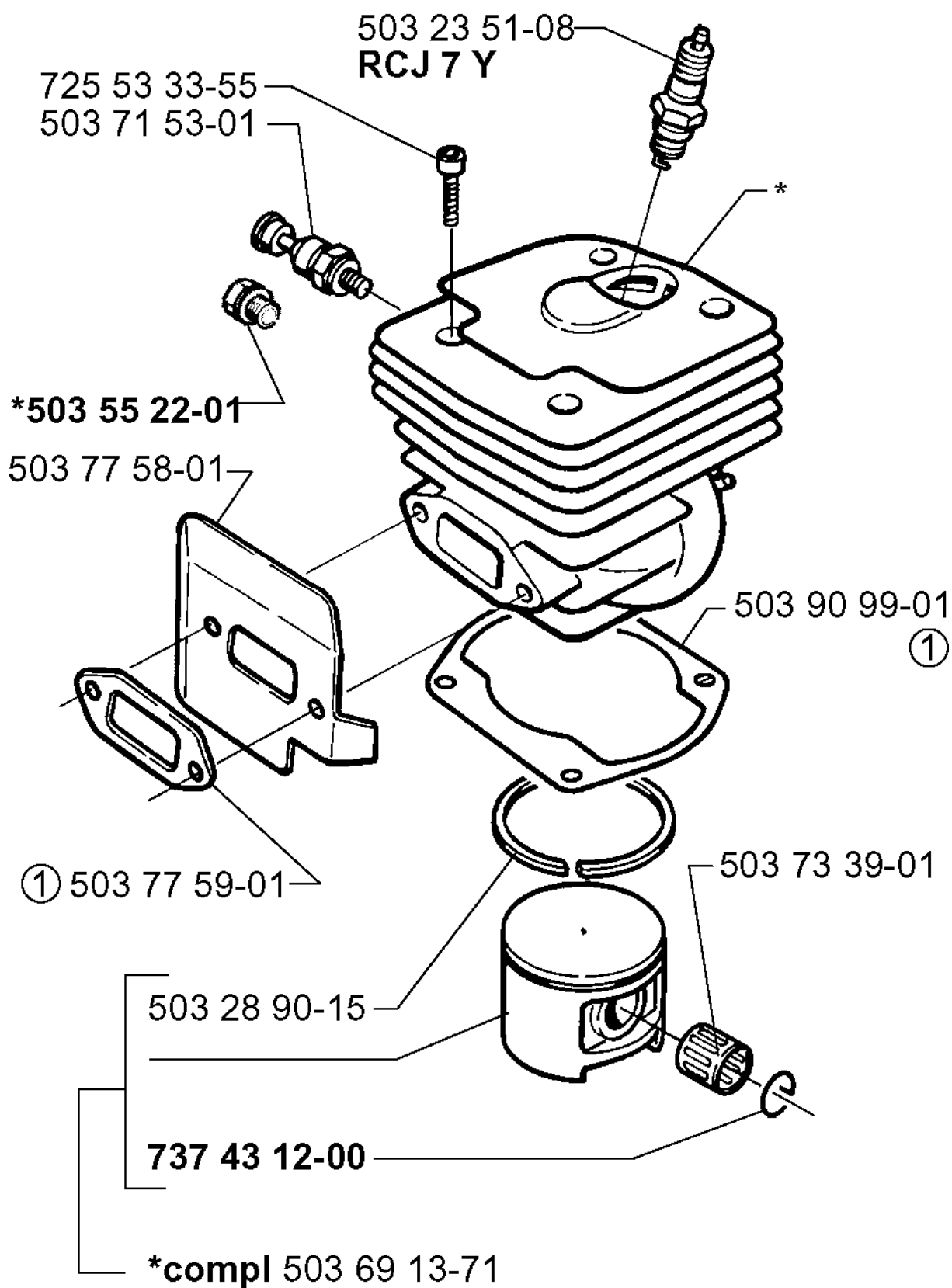
COVER

365, 19991400001-19994699999

Part No	Description	Remark	QTY KIT
503 20 34-25	SCREW CCRPANMO		1
503 62 78-02	CYLINDER COVER ASSY		1
503 62 80-01	FILTER COVER		1
503 74 01-01	SNAP LOCKING		1

D

***compl 503 69 10-72**
***compl 503 93 90-71 EPA**



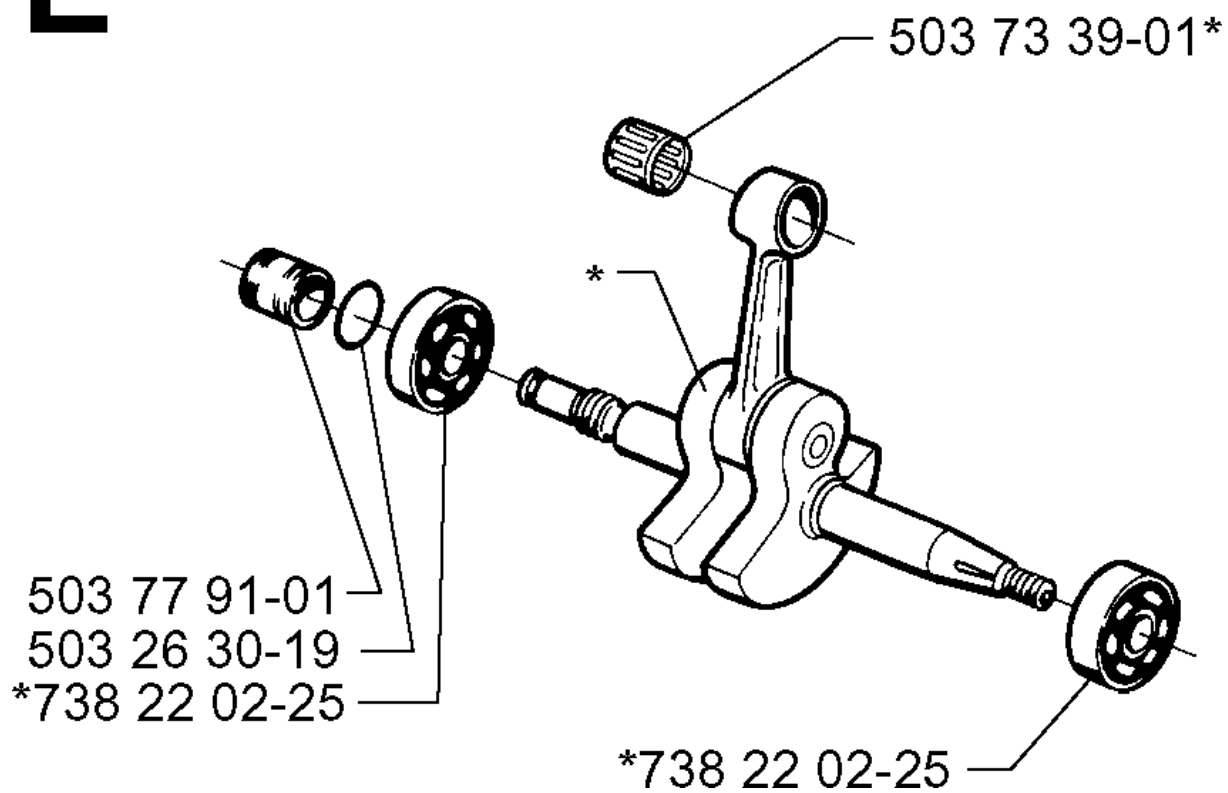
CYLINDER PISTON

365, 19991400001-19994699999

Part No	Description	Remark	QTY KIT
503 23 51-08	SPARK PLUG	RCJ 7 Y	1
503 28 90-15	PISTON RING		1
503 55 22-01	PLUG		1
503 69 10-72	CYLINDER ASSY		1
503 69 13-71	PISTON ASSY		1
503 71 53-01	DECOMPRESSION VALVE		1
503 73 39-01	BEARING		1
503 77 58-01	HEAT DEFLECTOR		1
503 77 59-01	GASKET		1
503 90 99-01	GASKET		1
503 93 90-71	CYLINDER ASSY	EPA	1
725 53 33-55	SCREW IHSCM		1
737 43 12-00	SNAP RING		1

E

***compl 503 72 91-76**



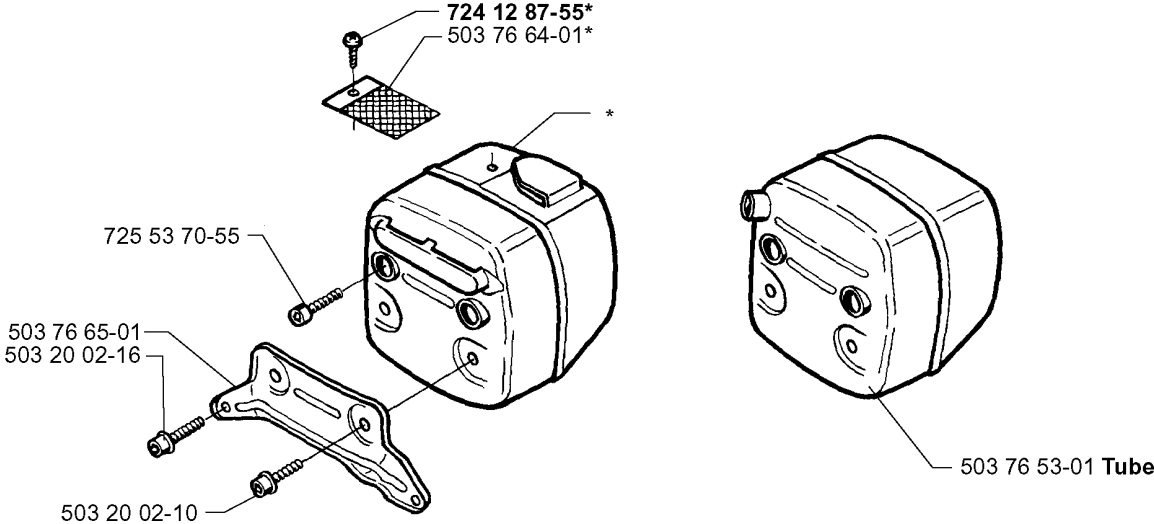
CRANKSHAFT

365, 19991400001-19994699999

Part No	Description	Remark	QTY KIT
503 26 30-19	O-RING		1
503 72 91-76	CRANKSHAFT ASSY		1
503 73 39-01	BEARING		1
503 77 91-01	SLEEVE		1
738 22 02-25	BALL BEARING		1
738 22 02-25	BALL BEARING		1

F

compl 503 76 52-01 FG
*compl 503 76 53-02 Jungle
*compl 503 76 54-02 DF

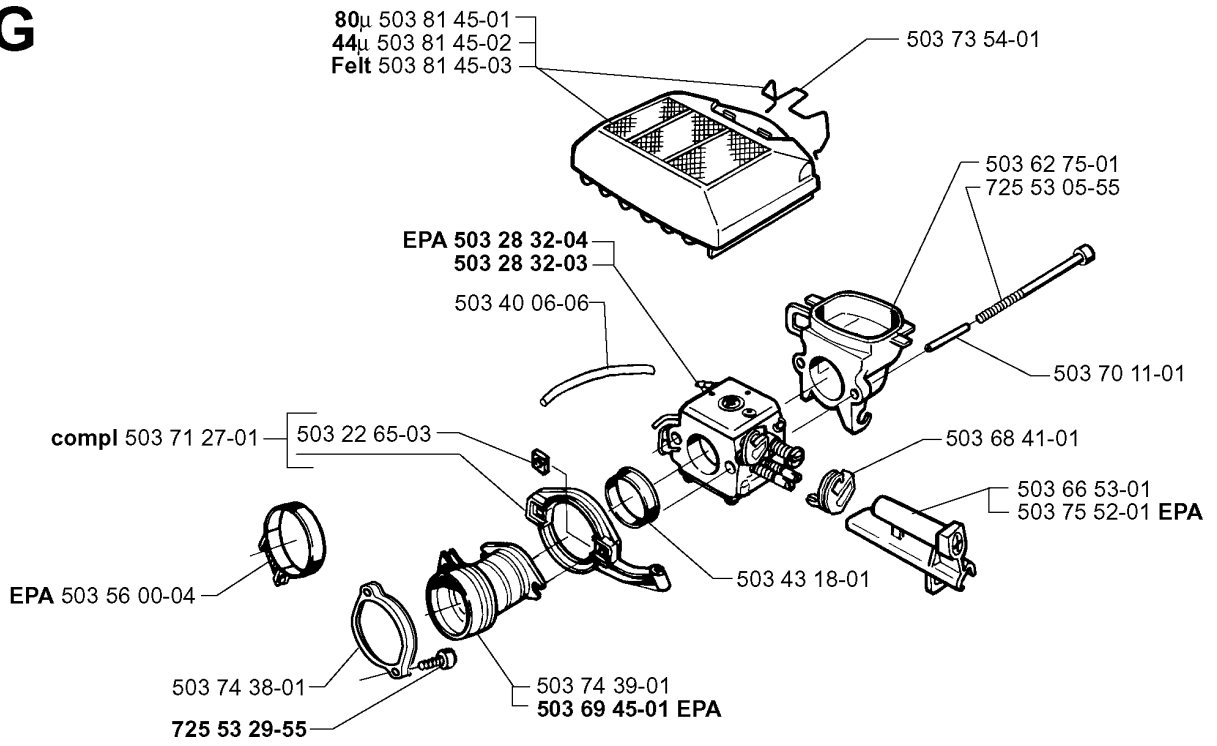


MUFFLER

365, 19991400001-19994699999

Part No	Description	Remark	QTY KIT
503 20 02-10	SCREW IHSCFM		1
503 20 02-16	SCREW IHSCFM		1
503 76 52-01	MUFFLER ASSY	FG	1
503 76 53-01	MUFFLER ASSY	TUBE	1
503 76 53-02	MUFFLER ASSY	JUNGLE	1
503 76 54-02	MUFFLER ASSY	DF	1
503 76 64-01	SPARK ARRESTER SCREEN		1
503 76 65-01	BRACKET		1
724 12 87-55	SCREW CRPANM		1
725 53 70-55	SCREW IHSCM		1

G



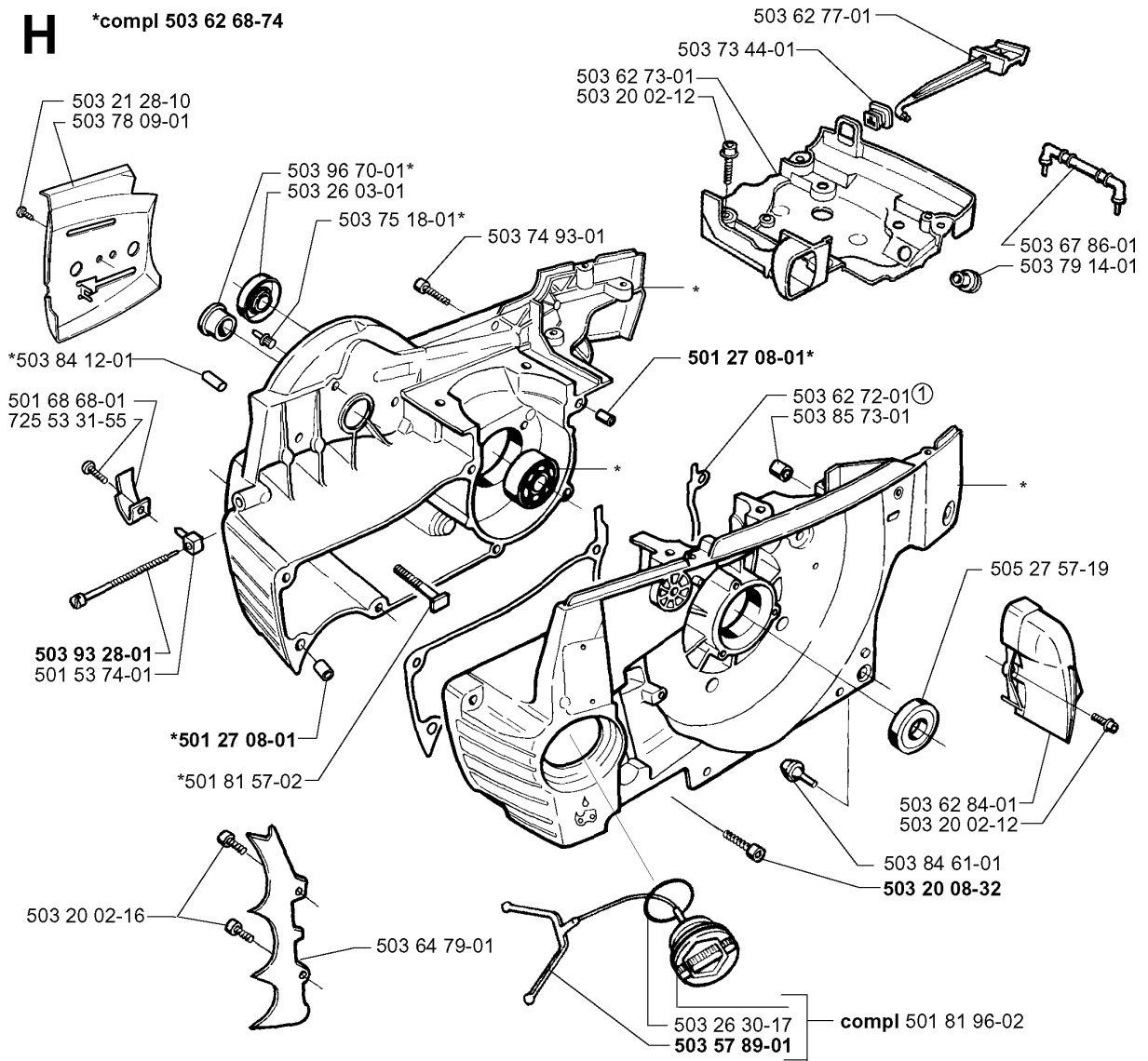
CARBURETOR & AIR FILTER

365, 19991400001-19994699999

Ref	Part No	Description	Remark	QTY KIT
503 81 45-01	503 81 45-01	AIR FILTER ASSY		1
503 81 45-02	503 81 45-02	AIR FILTER ASSY		1
503 81 45-03	503 81 45-03	AIR FILTER ASSY	FELT	1
503 28 32-04	503 28 32-04	CARBURETTOR	EPA	1
503 28 32-03	503 28 32-03	CARBURETTOR		1
503 40 06-06	503 40 06-06	IMPULSE HOSE		1
503 22 65-03	503 22 65-03	SQUARE NUT		1
503 71 27-01	503 71 27-01	FLANGE		1
503 56 00-04	503 56 00-04	HOSE CLAMP		1
503 74 38-01	503 74 38-01	FLANGE		1
725 53 29-55	725 53 29-55	SCREW IHSCM		1
503 69 45-01	503 96 45-01	INLET PIPE	EPA	1
503 74 39-01	503 74 39-01	INLET PIPE		1
503 43 18-01	503 43 18-01	SUPPORT SLEEVE		1
503 75 52-01	503 75 52-01	GUIDE BUSHING	EPA	1
503 66 53-01	503 66 53-01	GUIDE BUSHING		1
503 68 41-01	503 68 41-01	LEVER		1
503 70 11-01	503 70 11-01	TUBE		1
725 53 05-55	725 53 05-55	SCREW IHSCM		1
503 62 75-01	503 62 75-01	FILTER HOLDER		1
503 73 54-01	503 73 54-01	CLAMP		1

H

*compl 503 62 68-74



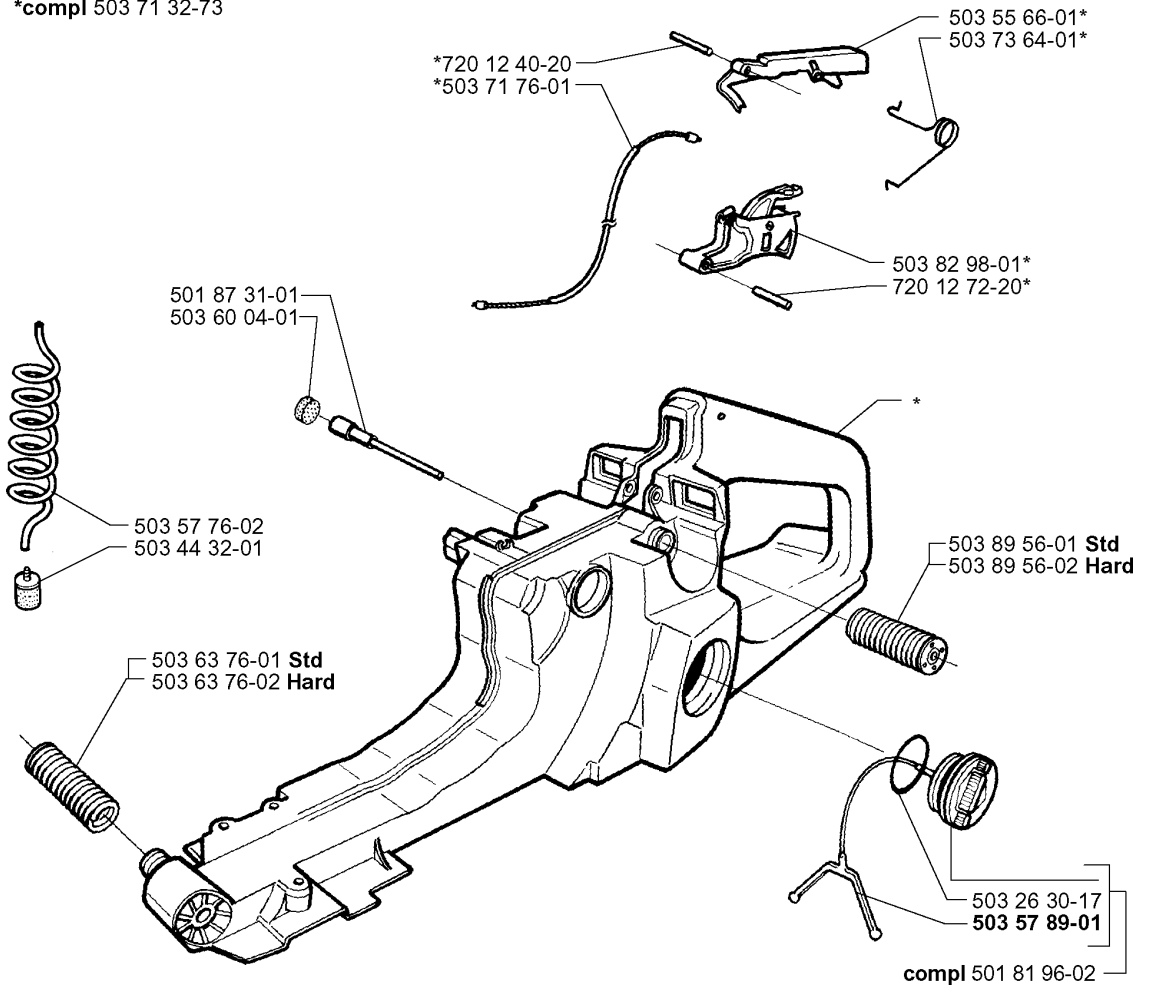
CRANKCASE

365, 19991400001-19994699999

Part No	Description	Remark	QTY KIT
501 27 08-01	GUIDE BUSHING		1
501 27 08-01	GUIDE BUSHING		1
501 53 74-01	PAWL		1
501 68 68-01	CHAIN CATCHER		1
501 81 57-02	BAR BOLT		1
501 81 96-02	TANK CAP ASSY		1
503 20 02-12	SCREW IHSCFM		1
503 20 02-12	SCREW IHSCFM		1
503 20 02-16	SCREW IHSCFM		1
503 20 08-32	SCREW IHSCM		1
503 21 28-10	SCREW CCRPANT		1
503 26 03-01	SEALING RING		1
503 26 30-17	O-RING		1
503 57 89-01	HOLDER		1
503 62 68-74	CRANKCASE ASSY		1
503 62 72-01	GASKET		1
503 62 73-01	CARBURETTOR		1
503 62 77-01	CHOKE CONTROL		1
503 62 84-01	AIR NOZZLE		1
503 64 79-01	SPIKE		1
503 67 86-01	STÖTTA FÖRGASARE		1
503 73 44-01	GROMMET		1
503 74 93-01	SCREW		1
503 75 18-01	PIN		1
503 78 09-01	CHAIN GUIDE PLATE		1
503 79 14-01	GROMMET		1
503 84 12-01	VALVE		1
503 84 61-01	BUFFER		1
503 85 73-01	COVER		1
503 93 28-01	SCREW		1
503 96 70-01	BUSHING		1
505 27 57-19	SEALING RING		1
725 53 31-55	SCREW IHSCM		1

J

*compl 503 71 32-73



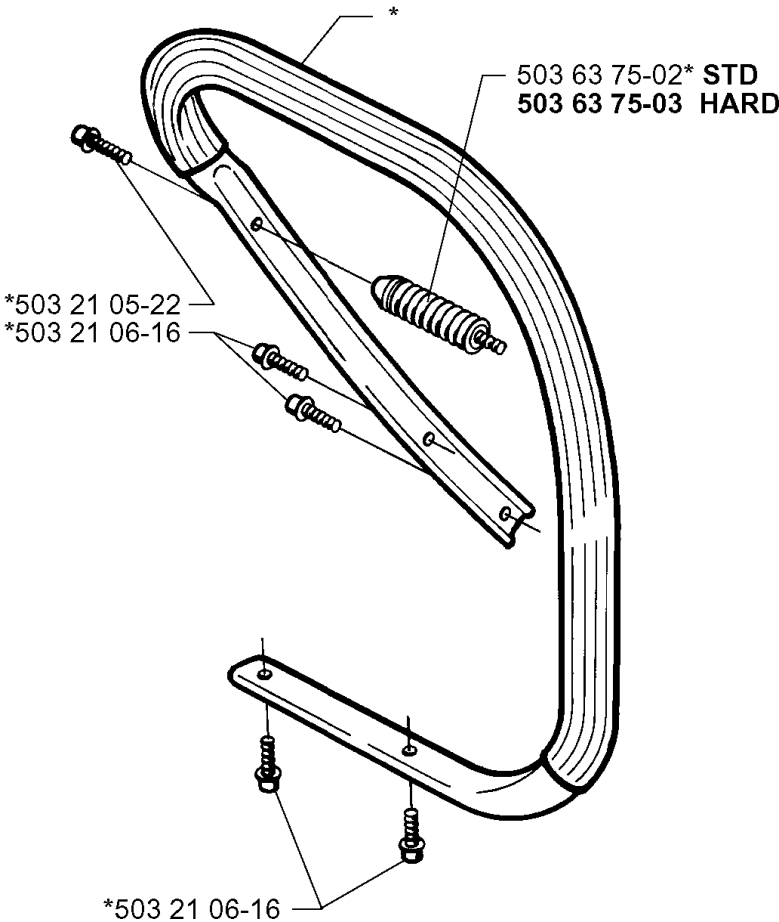
FUEL TANK

365, 19991400001-19994699999

Part No	Description	Remark	QTY KIT
501 81 96-02	TANK CAP ASSY		1
501 87 31-01	TANK VENT ASSY		1
503 26 30-17	O-RING		1
503 44 32-01	FUEL FILTER		1
503 55 66-01	THROTTLE LOCKOUT		1
503 57 76-02	FUEL HOSE		1
503 57 89-01	HOLDER		1
503 60 04-01	FILTER PLUG		1
503 63 76-01	ANTIVIBRATION ELEMENT	STD	1
503 63 76-02	ANTIVIBRATION ELEMENT	HARD	1
503 71 32-73	FUEL TANK		1
503 71 76-01	THROTTLE CABLE ASSY		1
503 73 64-01	SPRING		1
503 82 98-01	TRIGGER		1
503 89 56-01	ANTIVIBRATION ELEMENT	STD	1
503 89 56-02	ANTIVIBRATION ELEMENT	HARD	1
720 12 40-20	PARALLEL PIN		1
720 12 72-20	PARALLEL PIN		1

K

*compl 503 62 67-71

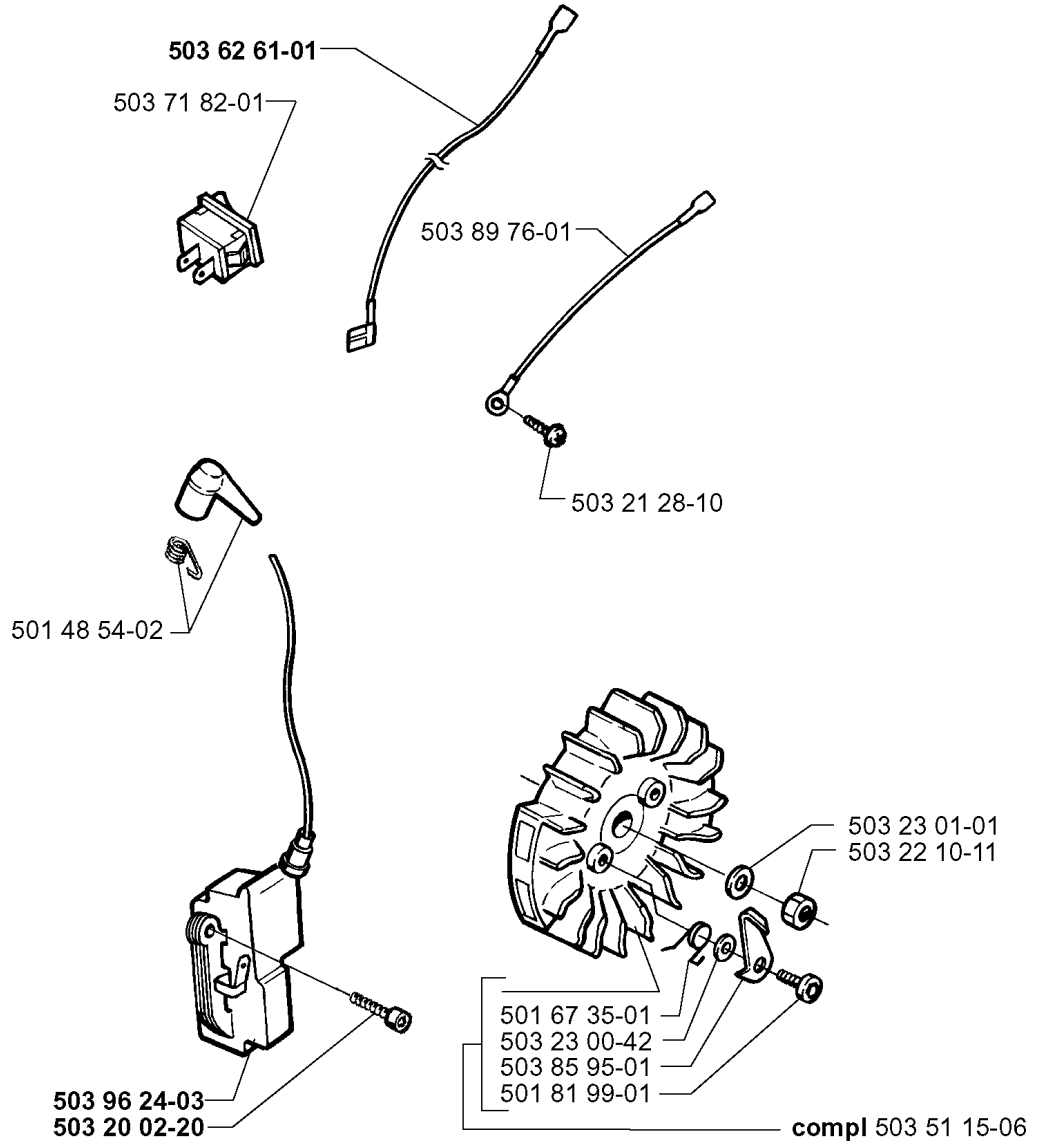


HANDLE

365, 19991400001-19994699999

Part No	Description	Remark	QTY KIT
503 21 05-22	SCREW IHSCT		1
503 21 06-16	SCREW IHSCT		1
503 21 06-16	SCREW IHSCT		1
503 62 67-71	FRONT HANDLE ASSY		1
503 63 75-02	ANTIVIBRATION ELEMENT	STD	1
503 63 75-03	ANTIVIBRATION ELEMENT	HARD	1

M



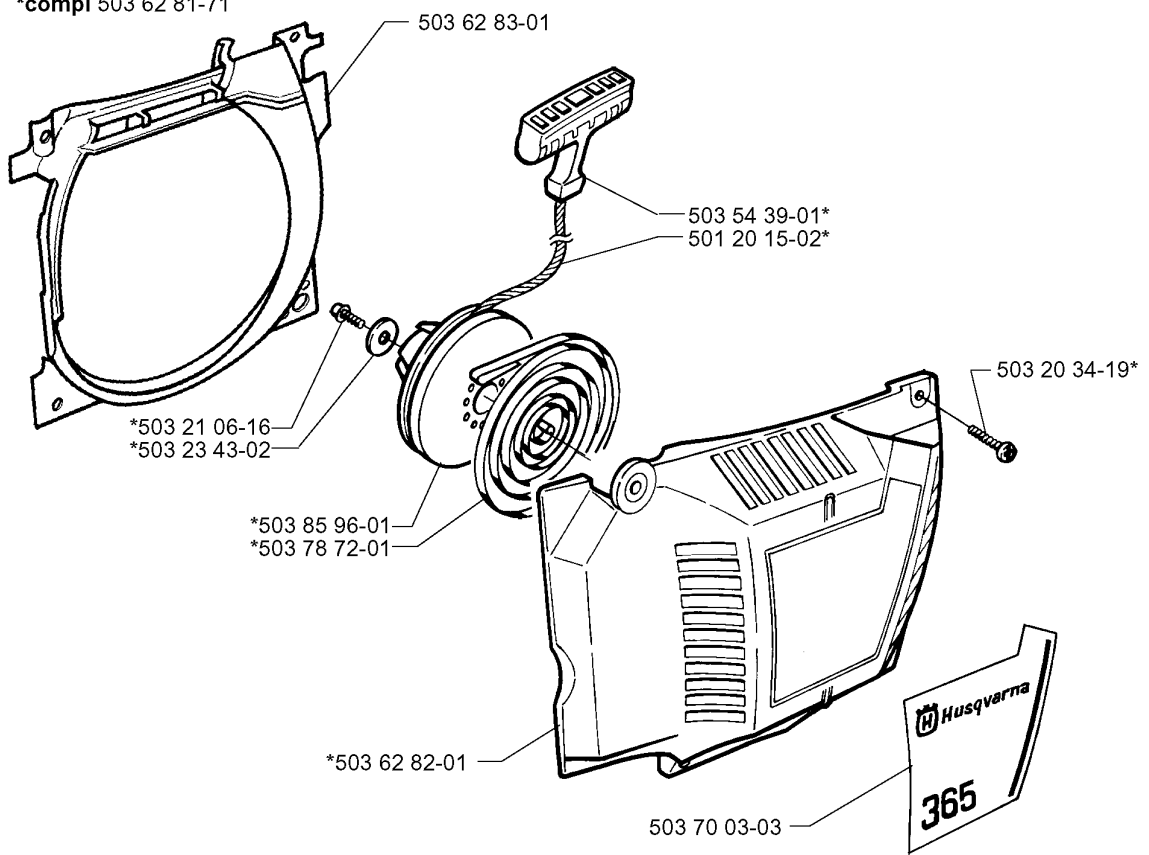
ELECTRICAL

365, 19991400001-19994699999

Part No	Description	Remark	QTY KIT
501 48 54-02	SPARK PLUG CAP		1
501 67 35-01	SPRING		1
501 81 99-01	SCREW		1
503 20 02-20	SCREW IHSCFM		1
503 21 28-10	SCREW CCRPANT		1
503 22 10-11	HEXAGON NUT		1
503 23 00-42	WASHER		1
503 23 01-01	WASHER		1
503 51 15-06	FLYWHEEL ASSY		1
503 62 61-01	CABLE		1
503 71 82-01	SWITCH		1
503 85 95-01	STARTER PAWL		1
503 89 76-01	CABLE		1
503 96 24-03	ELECTRONIC MODULE		1

N

*compl 503 62 81-71



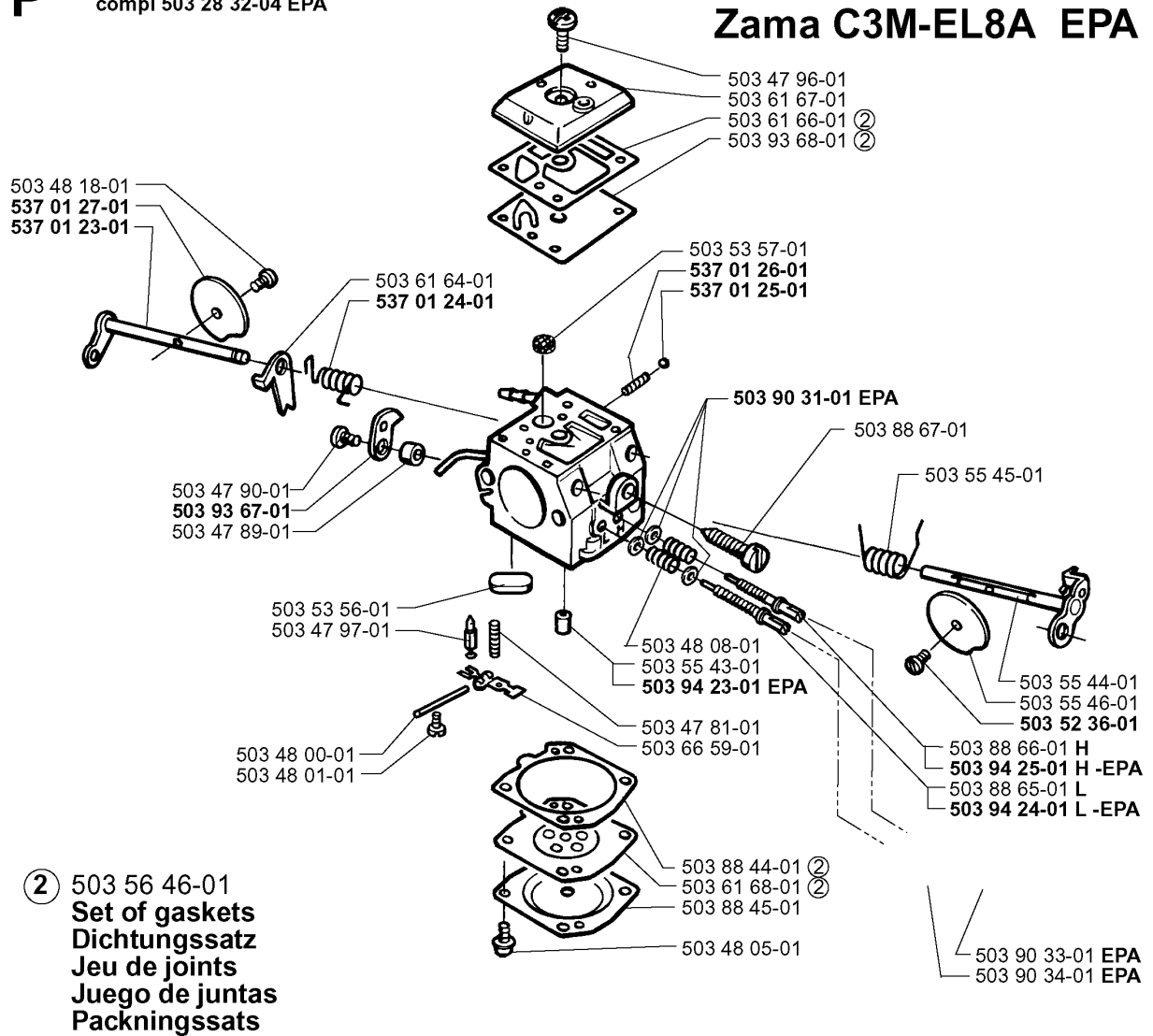
STARTER

365, 19991400001-19994699999

Part No	Description	Remark	QTY KIT
501 20 15-02	STARTER CORD		1
503 20 34-19	SCREW CCRPANMO		1
503 21 06-16	SCREW IHSCT		1
503 23 43-02	WASHER		1
503 54 39-01	STARTER HANDLE		1
503 62 81-71	STARTER ASSY		1
503 62 82-01	STARTER HOUSING		1
503 62 83-01	AIR CONDUCTOR		1
503 70 03-03	LABEL		1
503 78 72-01	RECOIL SPRING		1
503 85 96-01	STARTER PULLEY		1

P compl 503 28 32-03
 compl 503 28 32-04 EPA

**Zama C3M-EL2B
 Zama C3M-EL8A EPA**



CARBURETOR DETAILS

365, 19991400001-19994699999

Part No	Description	Remark	QTY KIT
503 28 32-03	CARBURETTOR		1
503 28 32-04	CARBURETTOR	EPA	1
503 47 81-01	SPRING		1
503 47 89-01	COLLAR		1
503 47 90-01	SCREW		1
503 47 96-01	SCREW		1
503 47 97-01	VALVE		1
503 48 00-01	PIN RETAINING SCREW		1
503 48 01-01	SCREW		1
503 48 05-01	SCREW		1
503 48 08-01	SPRING		1
503 48 18-01	SCREW		1
503 52 36-01	SCREW		1
503 53 56-01	PLUG WELCH		1
503 53 57-01	STRAINER		1
503 55 43-01	NOZZLE		1
503 55 44-01	SHAFT		1
503 55 45-01	SPRING		1
503 55 46-01	VALVE		1
503 61 64-01	LEVER		1
503 61 66-01	GASKET	503 56 46-01 SET OF GASKETS	1
503 61 67-01	COVER		1
503 61 68-01	DIAPHRAGM	503 56 46-01 SET OF GASKETS	1
503 66 59-01	LEVER		1
503 88 44-01	GASKET	503 56 46-01 SET OF GASKETS	1
503 88 45-01	COVER		1
503 88 65-01	SCREW	L	1
503 88 66-01	SCREW	H	1
503 88 67-01	SCREW		1
503 90 31-01	WASHER	EPA	1
503 90 33-01	LIMITER CAP	EPA	1
503 90 34-01	RETAINER	EPA	1
503 93 67-01	LEVER		1
503 93 68-01	DIAPHRAGM	503 56 46-01 SET OF GASKETS	1
503 94 23-01	NOZZLE ASSY	EPA	1
503 94 24-01	SCREW	L -EPA	1
503 94 25-01	SCREW	H -EPA	1
537 01 23-01	SHAFT ASSY		1
537 01 24-01	SPRING		1
537 01 25-01	BALL		1
537 01 26-01	SPRING		1
537 01 27-01	VALVE		1

Q

Accessories
Zubehöre
Accessories
Tillbehör

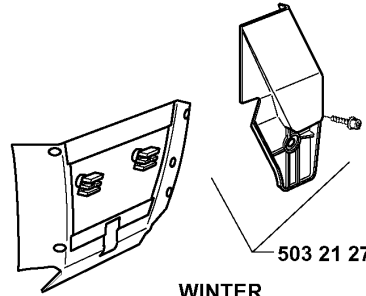
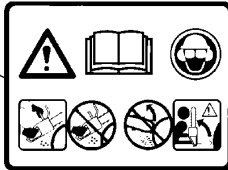


This saw is capable of severe kickback.
Do not operate it unless you have extraordinary cutting skills and experience and specialized training for dealing with kickback. Chain saws with significantly reduced kickback potential are available. Follow all safety precautions in the Operator's Manual (s). Failure to follow instructions could result in serious personal injury.

 LISTED SALES LISTED IN ACCORDANCE WITH AMERICAN NATIONAL STANDARD SAFETY SPECIFICATIONS FOR GASOLINE POWERED CHAIN SAWS (ANSI B175.1-1989).

537 03 60-03

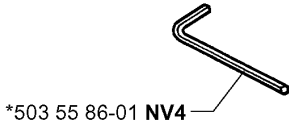
503 98 74-01



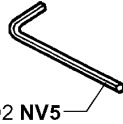
503 21 27-16

WINTER
compl 503 96 90-01

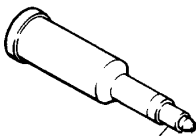
*compl 503 55 85-01



*503 55 86-01 NV4



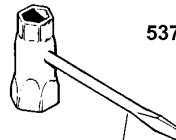
* 503 55 86-02 NV5



*501 91 14-01



*503 62 12-01



*501 69 17-01

EPA 537 03 61-13

IMPORTANT ENGINE INFORMATION

HUSQVARNA SWEDEN OH
THIS ENGINE CONFORMS TO U.S. EPA PH 1
EMISSION REGULATION FOR SMALL
NONROAD ENGINES. REFER TO OPERATOR'S
MANUAL FOR MAINTENANCE
SPECIFICATIONS AND ADJUSTMENTS.

537 03 44-01



ACCESSORIES

365, 19991400001-19994699999

Part No	Description	Remark	QTY KIT
501 69 17-01	COMBINATION WRENCH		1
501 91 14-01	GREASE GUN		1
503 21 27-16	SCREW CRPANT		1
503 55 85-01	TOOL		1
503 55 86-01	SPANNER	NV4	1
503 55 86-02	SPANNER	NV5	1
503 62 12-01	GREASE		1
503 96 90-01	KIT	WINTER	1
503 98 74-01	LABEL		1
537 03 44-01	LABEL		1
537 03 60-03	LABEL		1
537 03 61-13	LABEL	EPA	1