

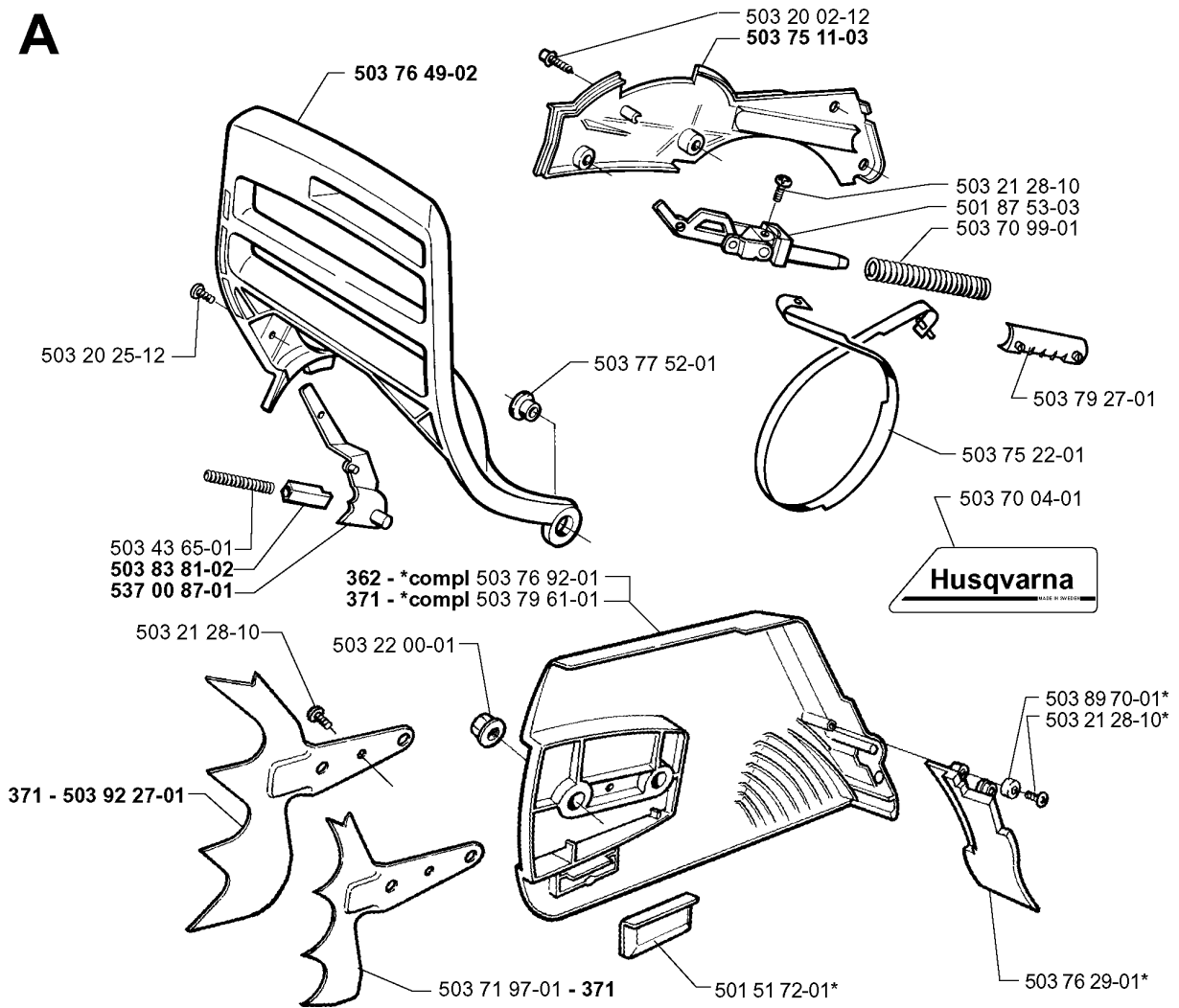


# SPARE PARTS LIST

## CHAIN SAWS

362 XP, 19991800001-Current

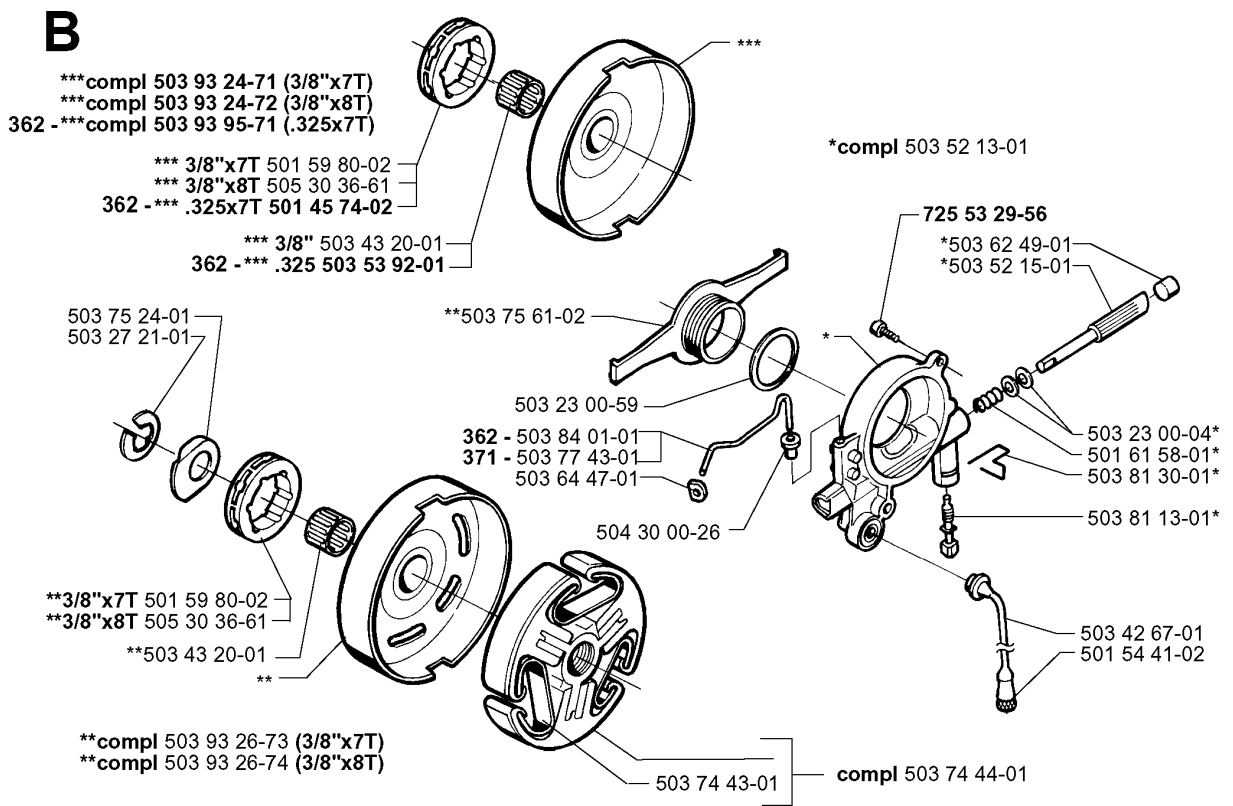
**A**



## CHAIN BRAKE

362 XP, 19991800001-Current

Part No	Description	Remark	QTY KIT
501 51 72-01	CHAIN GUIDE		1
501 87 53-03	KNEE JOINT		1
503 20 02-12	SCREW IHSCFM		1
503 20 25-12	SCREW IHSCM		1
503 21 28-10	SCREW CCRPANT		1
503 21 28-10	SCREW CCRPANT		1
503 21 28-10	SCREW CCRPANT		1
503 22 00-01	HEXAGON NUT		1
503 43 65-01	POSITION SPRING		1
503 70 04-01	LABEL		1
503 70 99-01	BRAKE SPRING		1
503 71 97-01	SPIKE	371	1
503 75 11-03	HUB CAP		1
503 75 22-01	BRAKE BAND ASSY		1
503 76 29-01	CHIP GUARD		1
503 76 49-02	HAND GUARD		1
503 76 92-01	CLUTCH COVER ASSY	362	1
503 77 52-01	BUSHING		1
503 79 27-01	SUPPORT		1
503 79 61-01	CLUTCH COVER ASSY	371	1
503 83 81-02	LOCK		1
503 89 70-01	SLEEVE		1
503 92 27-01	SPIKE	371	1
537 00 87-01	BRAKE LEVER		1



## CLUTCH &amp; OIL PUMP

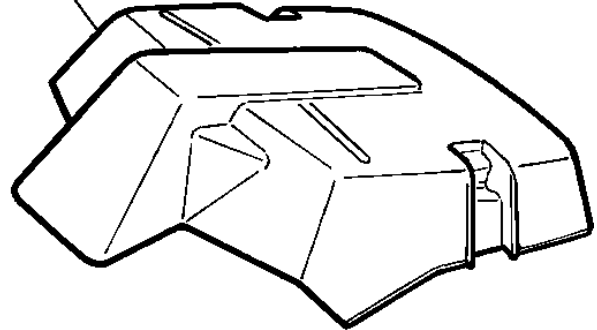
362 XP, 19991800001-Current

Part No	Description	Remark	QTY KIT
501 45 74-02	RIM	362 .325X7T	1
501 54 41-02	OIL SCREEN		1
501 59 80-02	RIM	3/8X7T	1
501 59 80-02	RIM	3/8X7T	1
501 61 58-01	SPRING		1
503 23 00-04	WASHER		1
503 23 00-59	WASHER		1
503 27 21-01	E-CLIP		1
503 42 67-01	OIL HOSE		1
503 43 20-01	NEEDLE HOLDER	3/8	1
503 43 20-01	NEEDLE HOLDER		1
503 52 13-01	OIL PUMP ASSY		1
503 52 15-01	PUMP PISTON		1
503 53 92-01	NEEDLE BEARING	362 .325	1
503 62 49-01	SEALING PLUG		1
503 64 47-01	BUSHING		1
503 74 43-01	CLUTCH SPRING		1
503 74 44-01	CLUTCH ASSY		1
503 75 24-01	WASHER		1
503 75 61-02	GEAR WHEEL		1
503 77 43-01	OIL PIPE	371	1
503 81 13-01	SCREW		1
503 81 30-01	SPRING		1
503 84 01-01	OIL PIPE	362	1
503 93 24-71	CLUTCH DRUM	3/8X7T	1
503 93 24-72	CLUTCH DRUM	3/8X8T	1
503 93 26-73	CLUTCH DRUM	3/8X7T	1
503 93 26-74	CLUTCH DRUM	3/8X8T	1
503 93 95-71	CLUTCH DRUM	362 .325X7T	1
504 30 00-26	SEALING		1
505 30 36-61	RIM	3/8X8T	1
505 30 36-61	RIM	3/8X8T	1
725 53 29-56	SCREW IHSCM		1

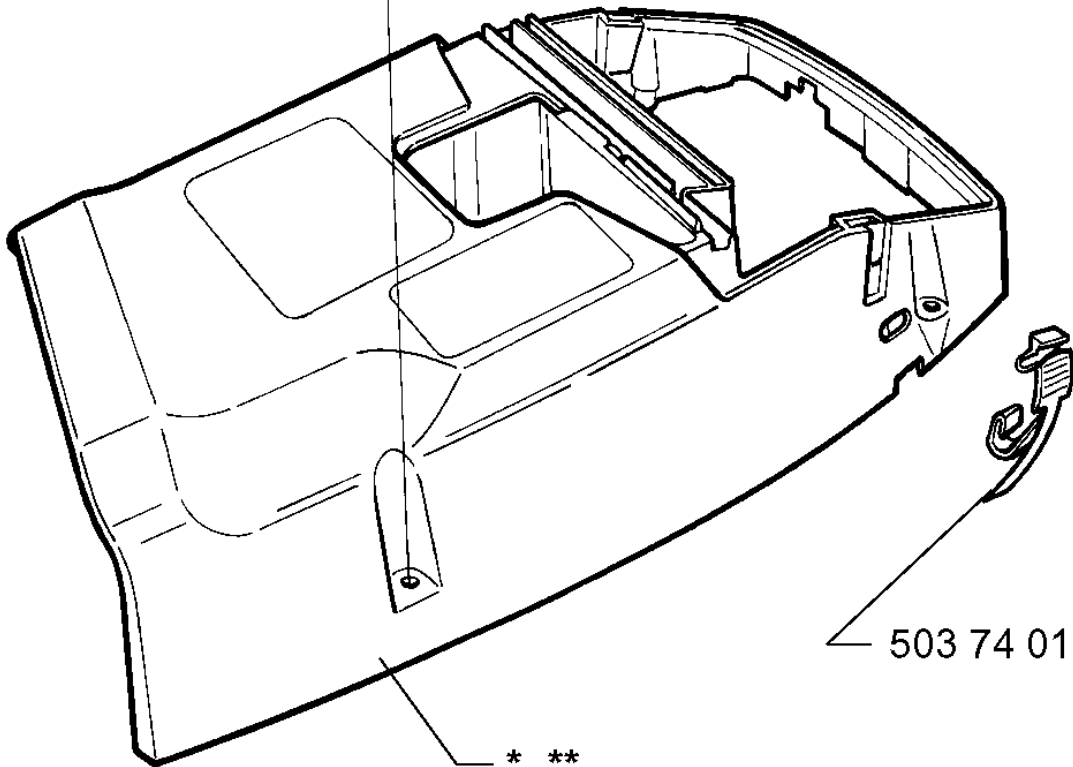
**C**

**\*compl 503 62 78-02 Std**  
**\*\*compl 503 62 78-04 Hd**

**\*503 62 80-01 Std**  
**\*\*503 81 77-01 Hd**



**\* \*\*503 20 34-25**



**503 74 01-01\* \*\***

**\* \*\***

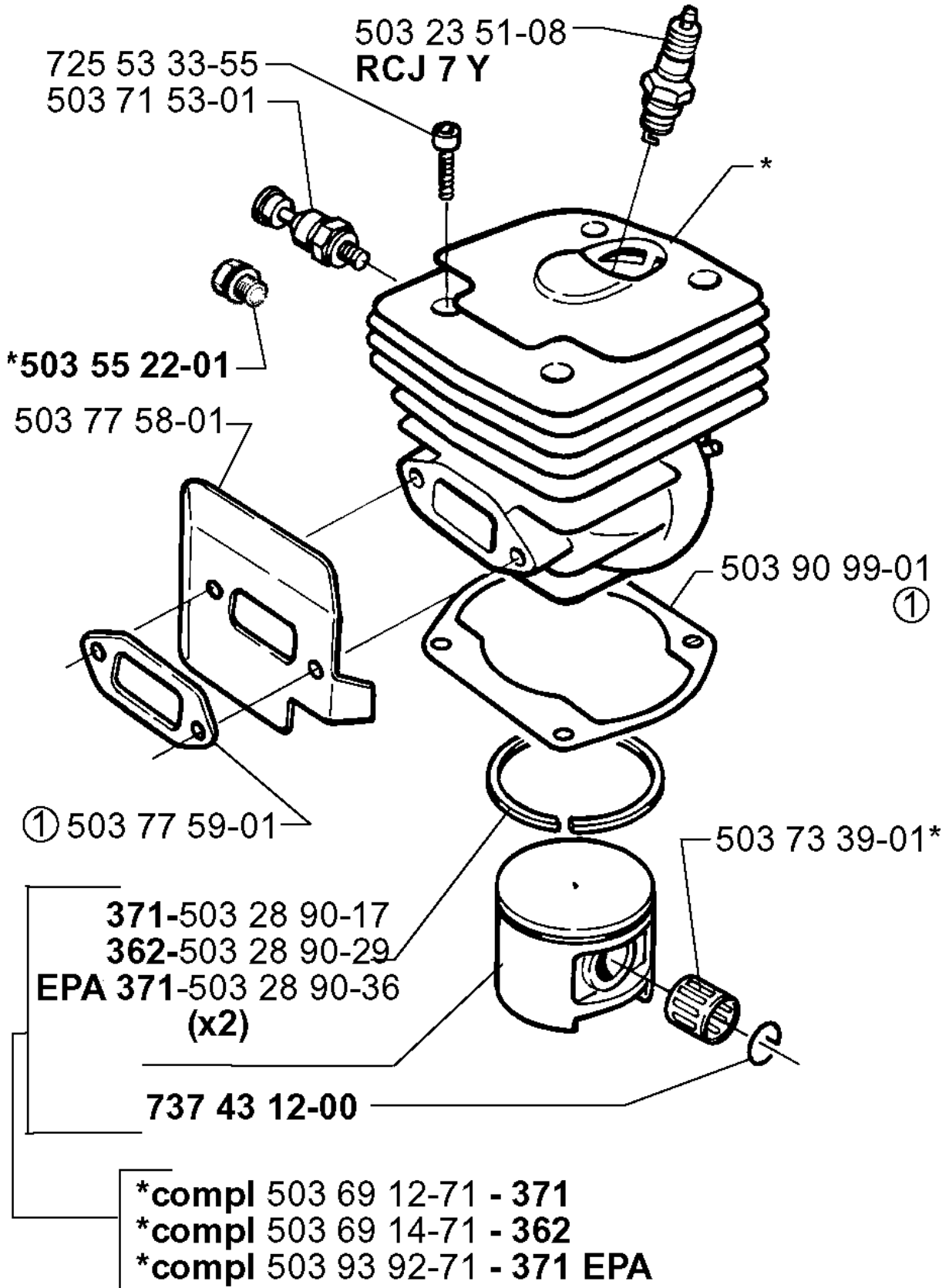
COVER

362 XP, 19991800001-Current

Part No	Description	Remark	QTY KIT
503 20 34-25	SCREW CCRPANMO		1
503 62 78-02	CYLINDER COVER ASSY	STD	1
503 62 78-04	CYLINDER COVER ASSY	HD	1
503 62 80-01	FILTER COVER	STD	1
503 74 01-01	SNAP LOCKING		1
503 81 77-01	FILTER COVER	HD	1

**D**

- \*compl 503 62 64-72 - 371
- \*compl 503 96 52-71 - 362
- \*compl 503 93 93-71 - 371 EPA





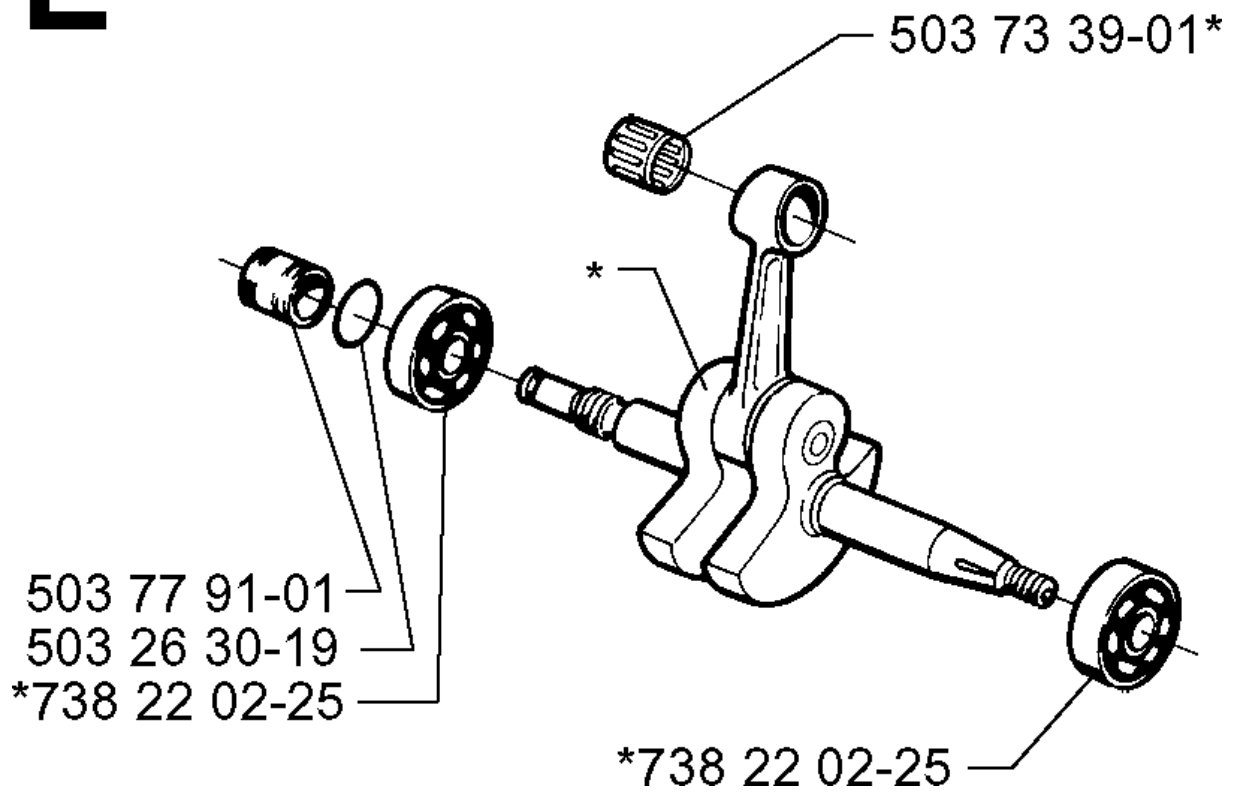
## CYLINDER PISTON

362 XP, 19991800001-Current

Part No	Description	Remark	QTY KIT
503 23 51-08	SPARK PLUG	RCJ 7 Y	1
503 28 90-17	PISTON RING	371	1
503 28 90-29	PISTON RING	362	1
503 28 90-36	PISTON RING	EPA 371	2
503 55 22-01	PLUG		1
503 62 64-72	CYLINDER ASSY	371	1
503 69 12-71	PISTON ASSY	371	1
503 69 14-71	PISTON ASSY	362	1
503 71 53-01	DECOMPRESSION VALVE		1
503 73 39-01	BEARING		1
503 77 58-01	HEAT DEFLECTOR		1
503 77 59-01	GASKET		1
503 90 99-01	GASKET		1
503 93 92-71	PISTON ASSY	371 EPA	1
503 93 93-71	CYLINDER ASSY	371 EPA	1
503 96 52-71	CYLINDER ASSY	362	1
725 53 33-55	SCREW IHSCM		1
737 43 12-00	SNAP RING		1

**E**

**\*compl 503 72 91-76**



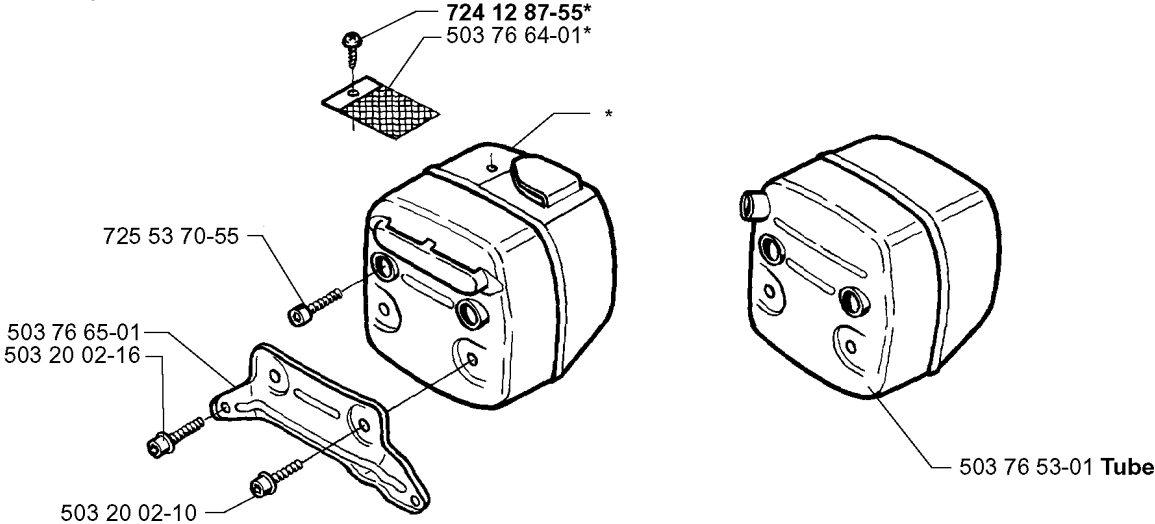
CRANKSHAFT

362 XP, 19991800001-Current

Part No	Description	Remark	QTY KIT
503 26 30-19	O-RING		1
503 72 91-76	CRANKSHAFT ASSY		1
503 73 39-01	BEARING		1
503 77 91-01	SLEEVE		1
738 22 02-25	BALL BEARING		1
738 22 02-25	BALL BEARING		1

**F**

**compl 503 76 52-01 FG**  
**\*compl 503 76 53-02 Jungle**  
**\*compl 503 76 54-02 DF**

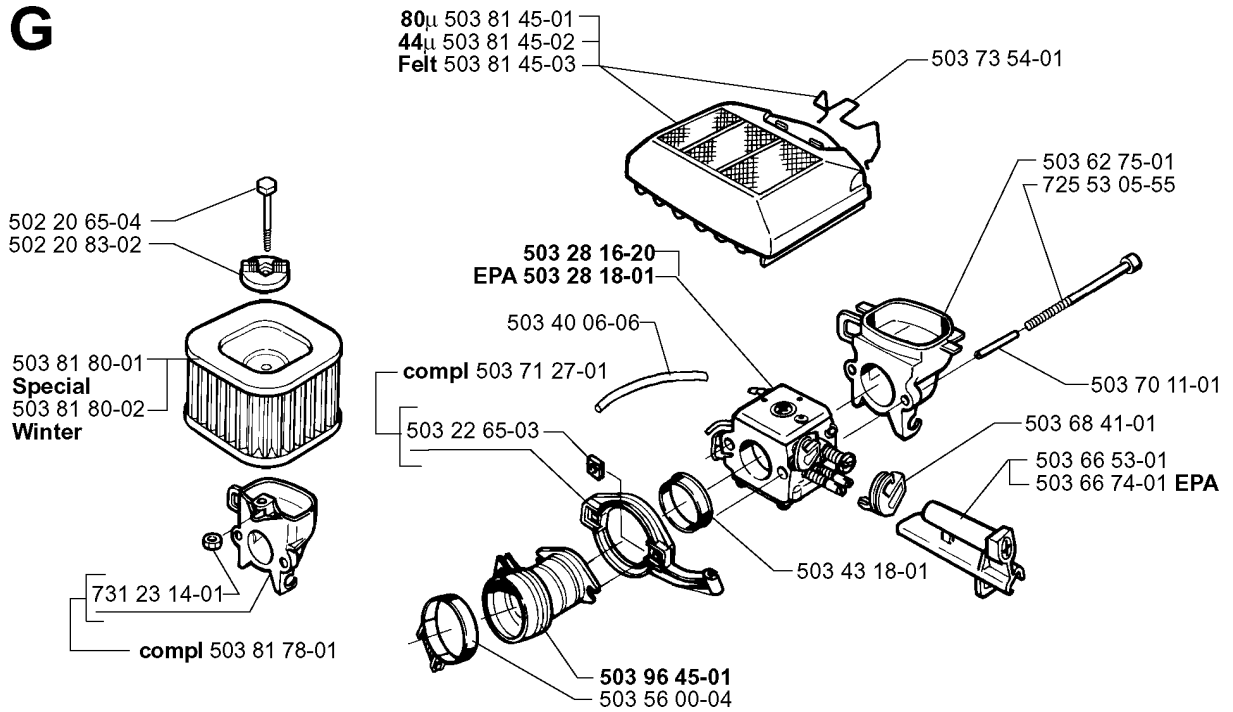


## MUFFLER

362 XP, 19991800001-Current

Part No	Description	Remark	QTY KIT
503 20 02-10	SCREW IHSCFM		1
503 20 02-16	SCREW IHSCFM		1
503 76 52-01	MUFFLER ASSY	FG	1
503 76 53-01	MUFFLER ASSY	TUBE	1
503 76 53-02	MUFFLER ASSY	JUNGLE	1
503 76 54-02	MUFFLER ASSY	DF	1
503 76 64-01	SPARK ARRESTER SCREEN		1
503 76 65-01	BRACKET		1
724 12 87-55	SCREW CRPANM		1
725 53 70-55	SCREW IHSCM		1

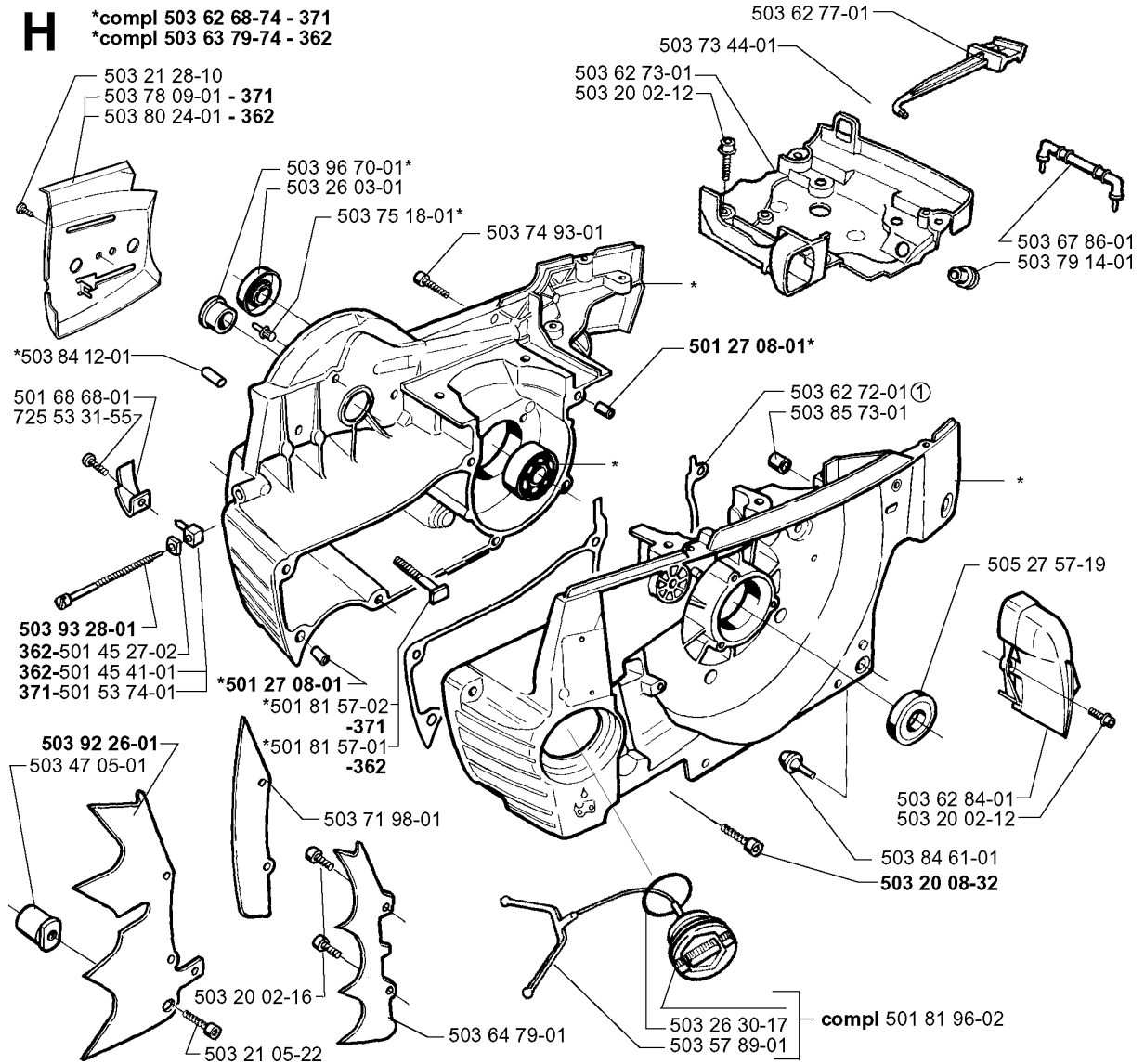
**G**



## CARBURETOR &amp; AIR FILTER

362 XP, 19991800001-Current

Part No	Description	Remark	QTY KIT
502 20 65-04	SCREW EHHM		1
502 20 83-02	KNOB		1
503 22 65-03	SQUARE NUT		1
503 28 16-20	CARBURETTOR		1
503 28 18-01	CARBURETTOR	EPA	1
503 40 06-06	IMPULSE HOSE		1
503 43 18-01	SUPPORT SLEEVE		1
503 56 00-04	HOSE CLAMP		1
503 62 75-01	FILTER HOLDER		1
503 66 53-01	GUIDE BUSHING		1
503 66 74-01	GUIDE BUSHING	EPA	1
503 68 41-01	LEVER		1
503 70 11-01	TUBE		1
503 71 27-01	FLANGE		1
503 73 54-01	CLAMP		1
503 81 45-01	AIR FILTER ASSY		1
503 81 45-02	AIR FILTER ASSY		1
503 81 45-03	AIR FILTER ASSY	FELT	1
503 81 78-01	FILTER HOLDER		1
503 81 80-01	AIR FILTER	SPECIAL	1
503 81 80-02	AIR FILTER	WINTER	1
503 96 45-01	INLET PIPE		1
725 53 05-55	SCREW IHSCM		1
731 23 14-01	HEXAGON NUT		1





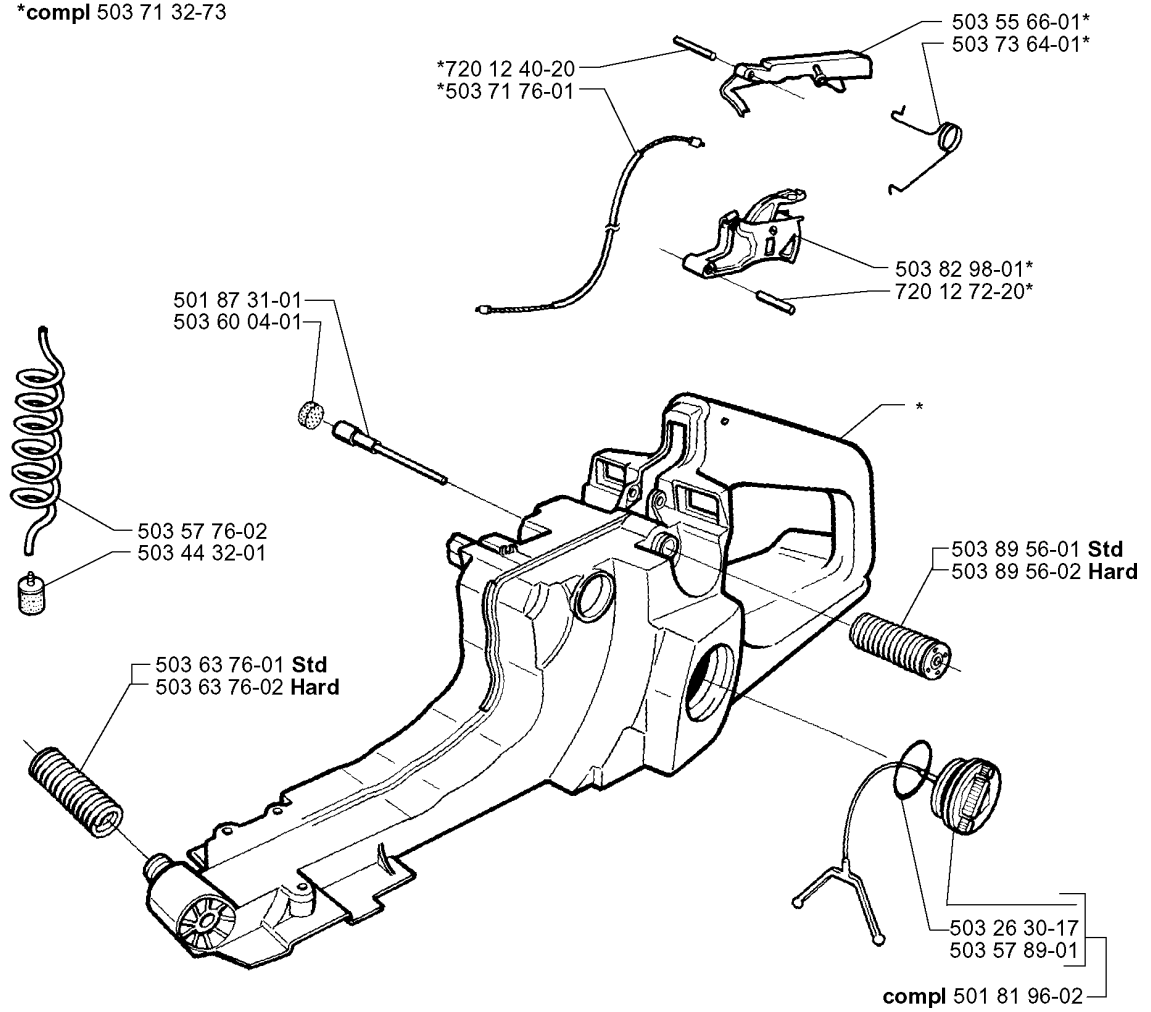
## CRANKCASE

362 XP, 19991800001-Current

Part No	Description	Remark	QTY KIT
501 27 08-01	GUIDE BUSHING		1
501 27 08-01	GUIDE BUSHING		1
501 45 27-02	LOCK NUT	362	1
501 45 41-01	NUT	362	1
501 53 74-01	PAWL	371	1
501 68 68-01	CHAIN CATCHER		1
501 81 57-01	BAR BOLT	362	1
501 81 57-02	BAR BOLT	371	1
501 81 96-02	TANK CAP ASSY		1
503 20 02-12	SCREW IHSCFM		1
503 20 02-12	SCREW IHSCFM		1
503 20 02-16	SCREW IHSCFM		1
503 20 08-32	SCREW IHSCM		1
503 21 05-22	SCREW IHST		1
503 21 28-10	SCREW CCRPANT		1
503 26 03-01	SEALING RING		1
503 26 30-17	O-RING		1
503 47 05-01	CHAIN CATCHER		1
503 57 89-01	HOLDER		1
503 62 68-74	CRANKCASE ASSY	371	1
503 62 72-01	GASKET		1
503 62 73-01	CARBURETTOR		1
503 62 77-01	CHOKE CONTROL		1
503 62 84-01	AIR NOZZLE		1
503 63 79-74	CRANKCASE ASSY	362	1
503 64 79-01	SPIKE		1
503 67 86-01	STÖTTA FÖRGASARE		1
503 71 98-01	BUMPER		1
503 73 44-01	GROMMET		1
503 74 93-01	SCREW		1
503 75 18-01	PIN		1
503 78 09-01	CHAIN GUIDE PLATE	371	1
503 79 14-01	GROMMET		1
503 80 24-01	CHAIN GUIDE PLATE	362	1
503 84 12-01	VALVE		1
503 84 61-01	BUFFER		1
503 85 73-01	COVER		1
503 92 26-01	SPIKE		1
503 93 28-01	SCREW		1
503 96 70-01	BUSHING		1
505 27 57-19	SEALING RING		1
725 53 31-55	SCREW IHSCM		1

**J**

\*compl 503 71 32-73



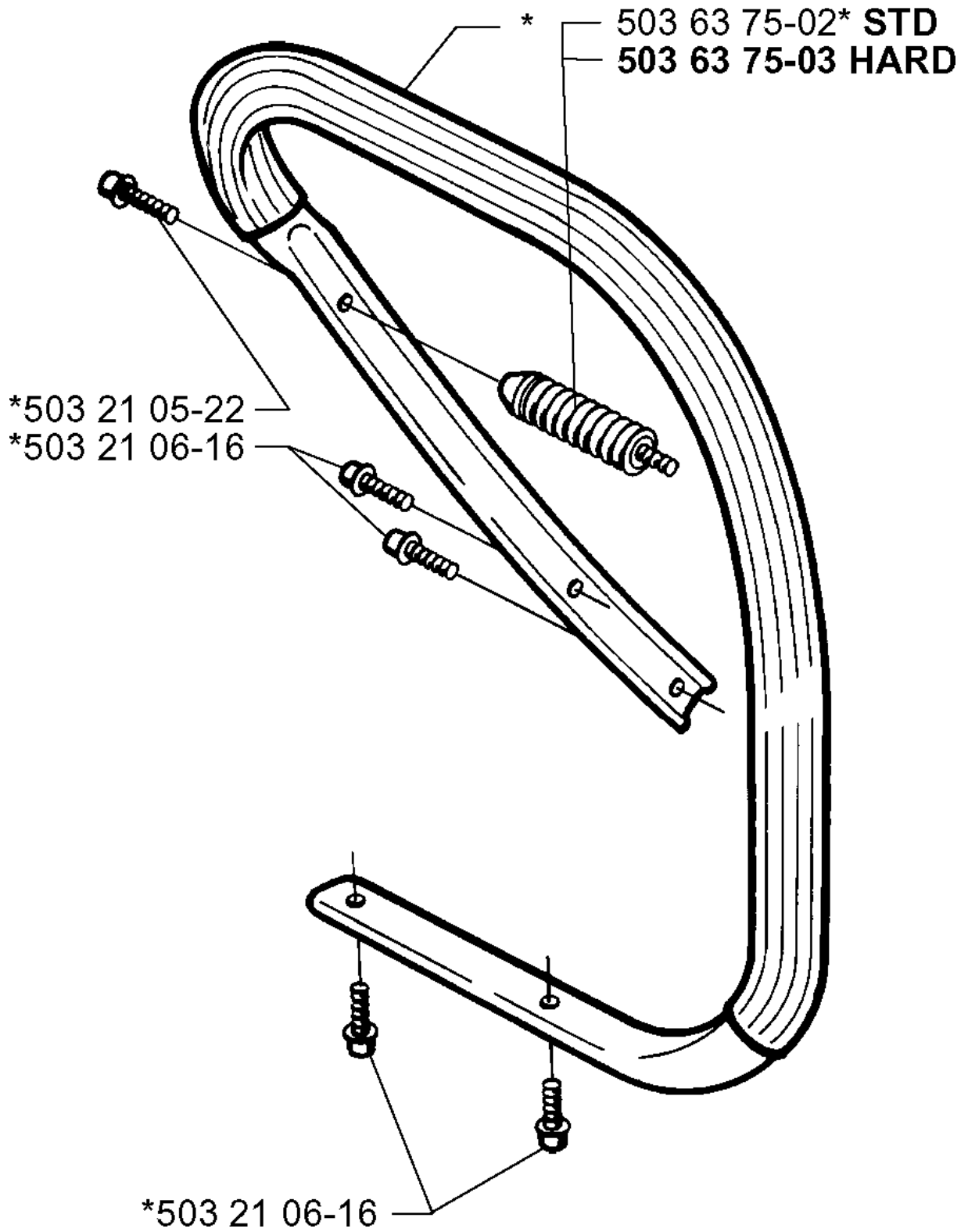
## FUEL TANK

362 XP, 19991800001-Current

Part No	Description	Remark	QTY KIT
501 81 96-02	TANK CAP ASSY		1
501 87 31-01	TANK VENT ASSY		1
503 26 30-17	O-RING		1
503 44 32-01	FUEL FILTER		1
503 55 66-01	THROTTLE LOCKOUT		1
503 57 76-02	FUEL HOSE		1
503 57 89-01	HOLDER		1
503 60 04-01	FILTER PLUG		1
503 63 76-01	ANTIVIBRATION ELEMENT	STD	1
503 63 76-02	ANTIVIBRATION ELEMENT	HARD	1
503 71 32-73	FUEL TANK		1
503 71 76-01	THROTTLE CABLE ASSY		1
503 73 64-01	SPRING		1
503 82 98-01	TRIGGER		1
503 89 56-01	ANTIVIBRATION ELEMENT	STD	1
503 89 56-02	ANTIVIBRATION ELEMENT	HARD	1
720 12 40-20	PARALLEL PIN		1
720 12 72-20	PARALLEL PIN		1

**K**

\*compl 503 62 67-71



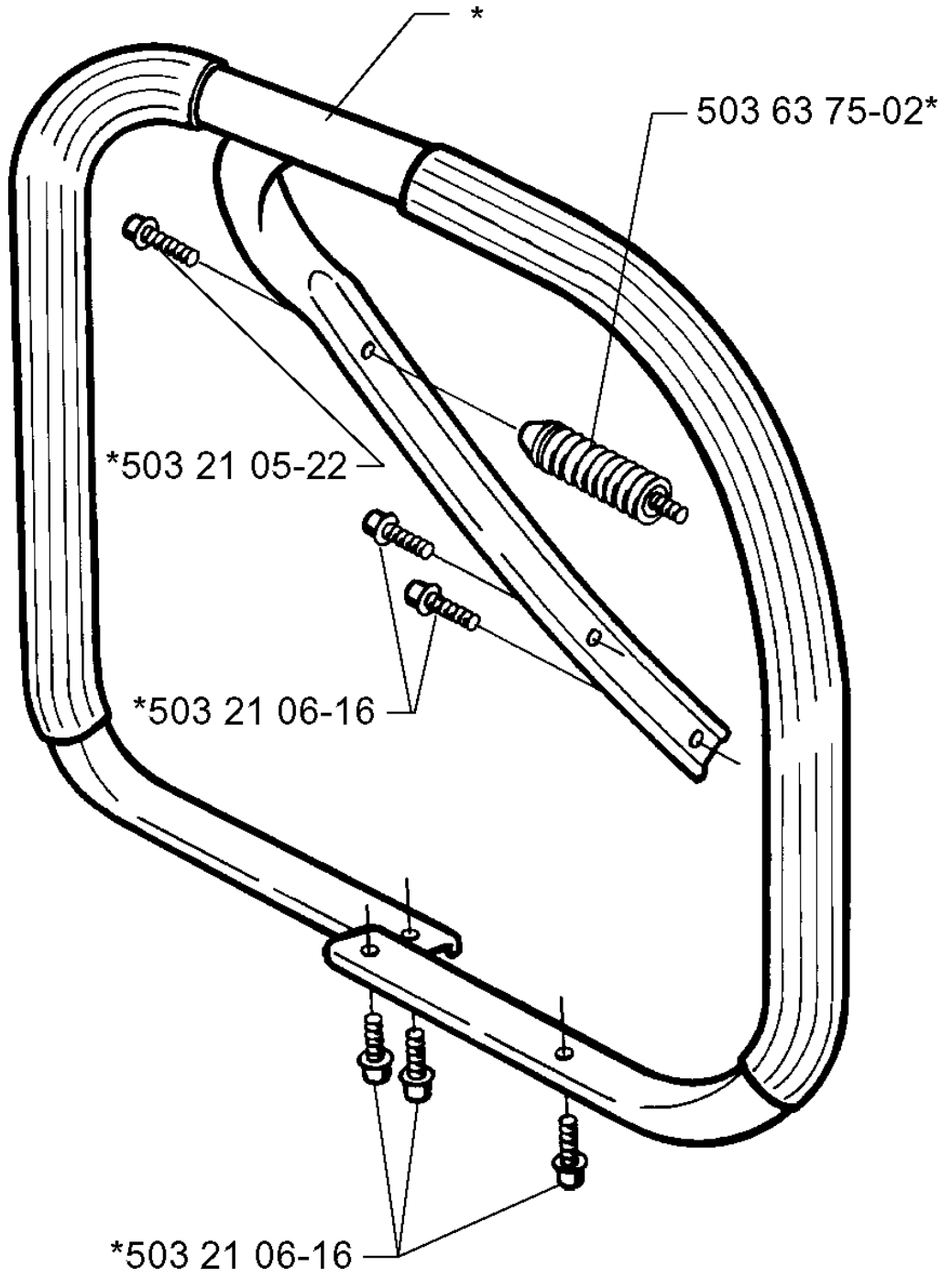
## HANDLE

362 XP, 19991800001-Current

Part No	Description	Remark	QTY KIT
503 21 05-22	SCREW IHSCT		1
503 21 06-16	SCREW IHSCT		1
503 21 06-16	SCREW IHSCT		1
503 62 67-71	FRONT HANDLE ASSY		1
503 63 75-02	ANTIVIBRATION ELEMENT	STD	1
503 63 75-03	ANTIVIBRATION ELEMENT	HARD	1



\*compl 503 62 86-71

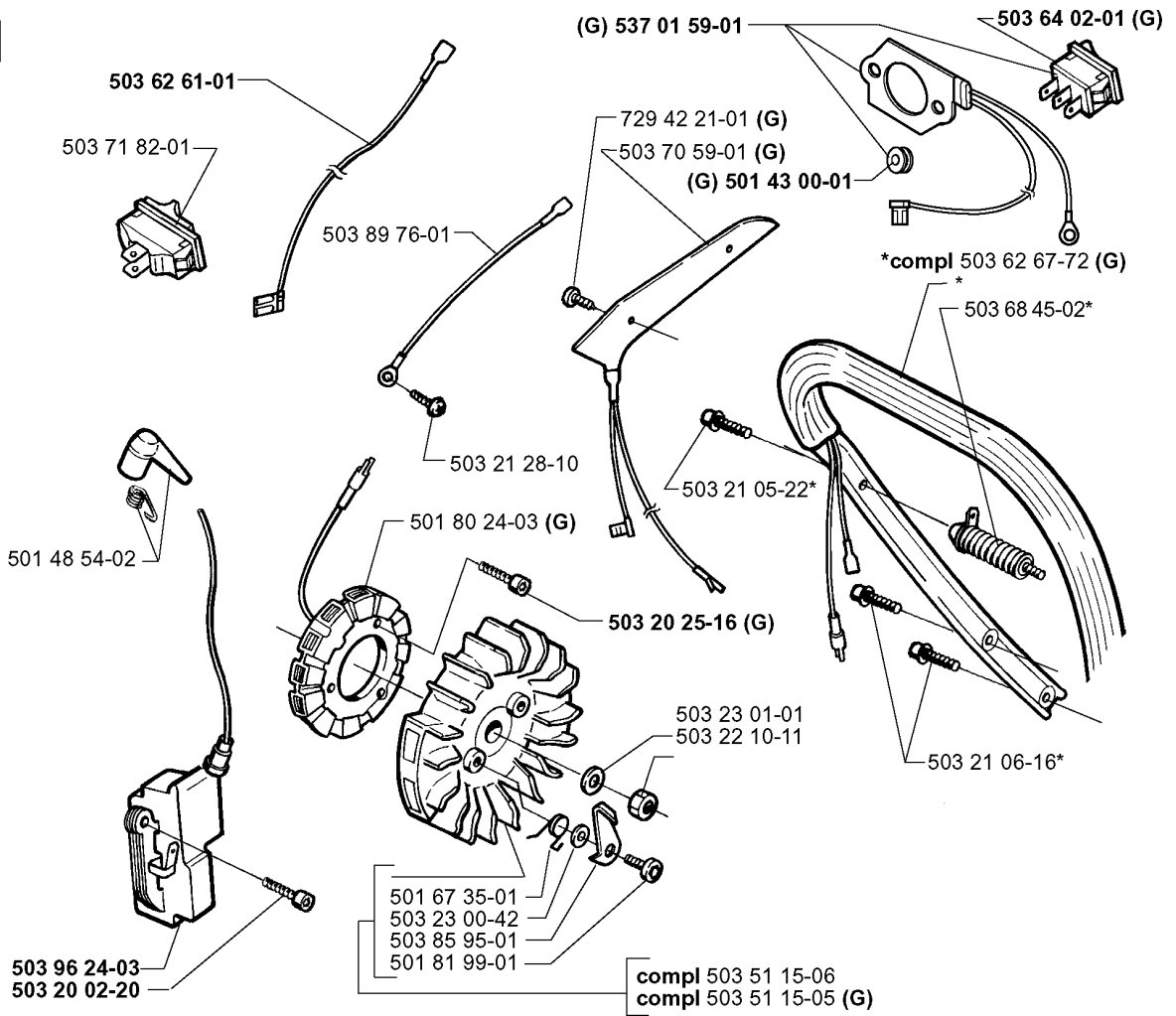


HANDLE

362 XP, 19991800001-Current

Part No	Description	Remark	QTY KIT
503 21 05-22	SCREW IH SCT		1
503 21 06-16	SCREW IH SCT		1
503 21 06-16	SCREW IH SCT		1
503 62 86-71	HANDLE		1
503 63 75-02	ANTIVIBRATION ELEMENT		1

**M**

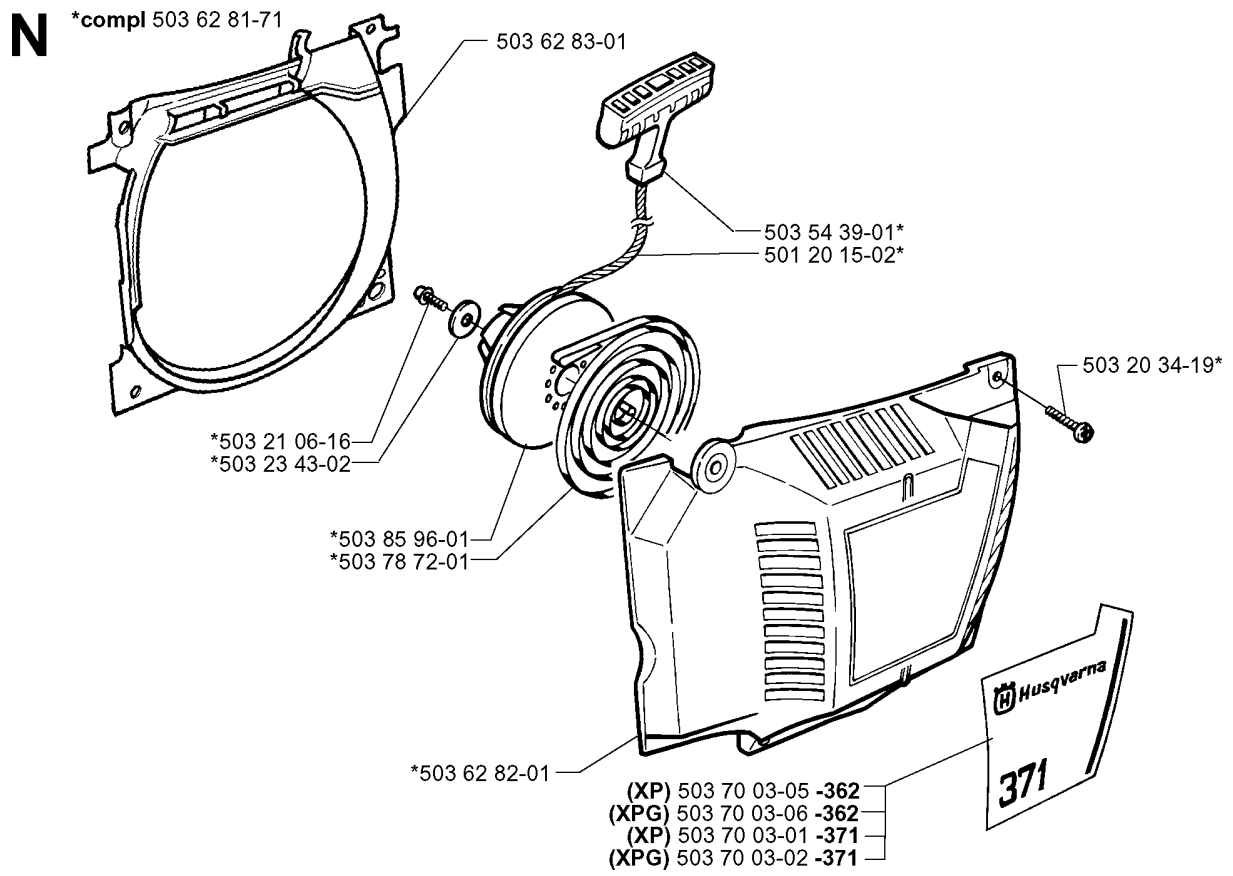




## ELECTRICAL

362 XP, 19991800001-Current

Part No	Description	Remark	QTY KIT
501 43 00-01	CABLE GROMMET	G	1
501 48 54-02	SPARK PLUG CAP		1
501 67 35-01	SPRING		1
501 80 24-03	STATOR ASSY	G	1
501 81 99-01	SCREW		1
503 20 02-20	SCREW IHSCFM		1
503 20 25-16	SCREW IHSCM	G	1
503 21 05-22	SCREW IHSCM		1
503 21 06-16	SCREW IHSCM		1
503 21 28-10	SCREW CCRPANT		1
503 22 10-11	HEXAGON NUT		1
503 23 00-42	WASHER		1
503 23 01-01	WASHER		1
503 51 15-05	FLYWHEEL ASSY	G	1
503 51 15-06	FLYWHEEL ASSY		1
503 62 61-01	CABLE		1
503 62 67-72	FRONT HANDLE ASSY	G	1
503 64 02-01	SWITCH	G	1
503 68 45-02	ANTIVIBRATION ELEMENT		1
503 70 59-01	HEATING PLATE	G	1
503 71 82-01	SWITCH		1
503 85 95-01	STARTER PAWL		1
503 89 76-01	CABLE		1
503 96 24-03	ELECTRONIC MODULE		1
537 01 59-01	KIT	G	1
729 42 21-01	SCREW SLCSRT	G	1



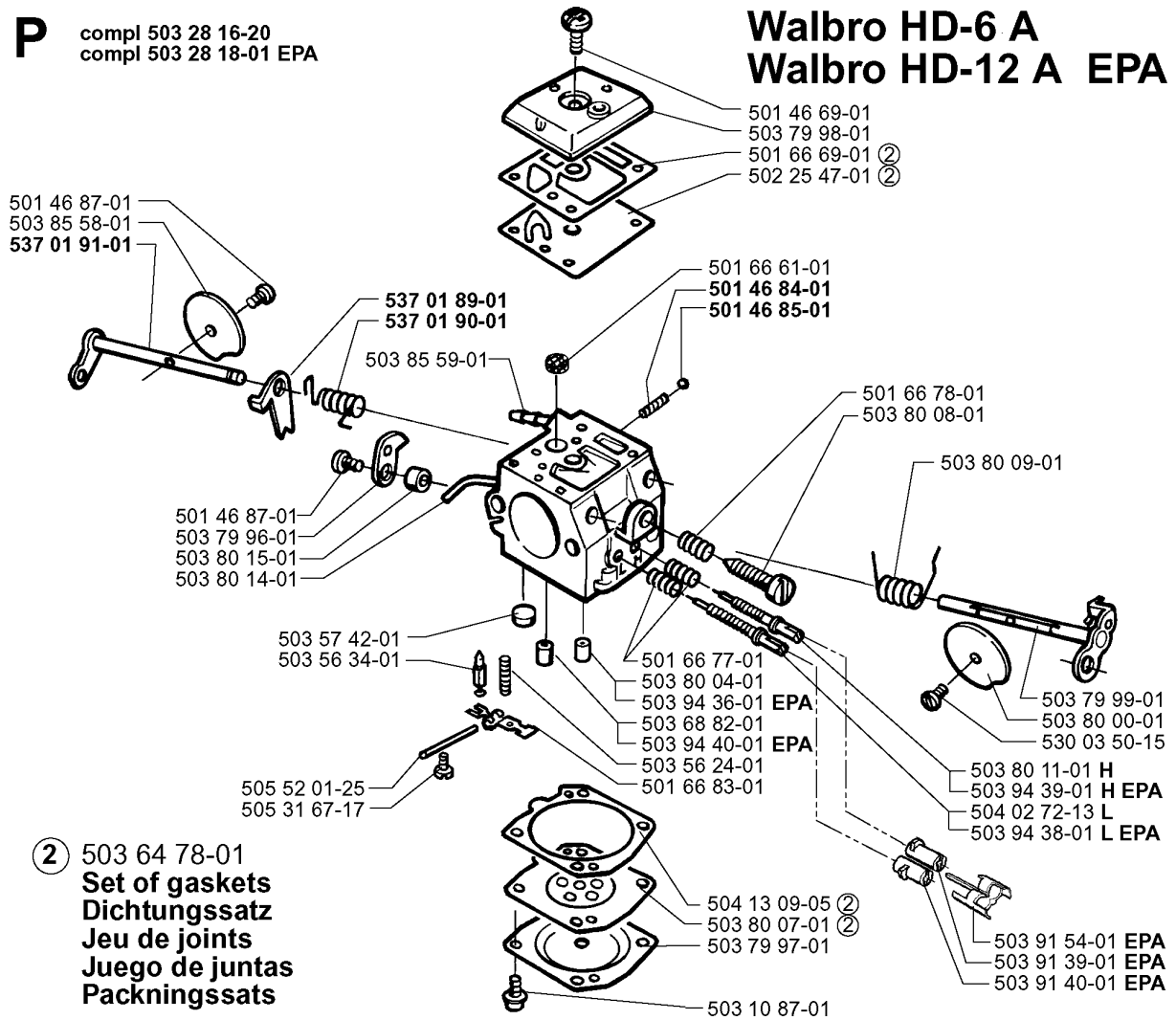
## STARTER

362 XP, 19991800001-Current

Part No	Description	Remark	QTY KIT
501 20 15-02	STARTER CORD		1
503 20 34-19	SCREW CCRPANMO		1
503 21 06-16	SCREW IHSCT		1
503 23 43-02	WASHER		1
503 54 39-01	STARTER HANDLE		1
503 62 81-71	STARTER ASSY		1
503 62 82-01	STARTER HOUSING		1
503 62 83-01	AIR CONDUCTOR		1
503 70 03-01	LABEL	XP 371	1
503 70 03-02	LABEL	XPG 371	1
503 70 03-05	LABEL	XP 362	1
503 70 03-06	LABEL	XPG 362	1
503 78 72-01	RECOIL SPRING		1
503 85 96-01	STARTER PULLEY		1

**P** compl 503 28 16-20  
compl 503 28 18-01 EPA

**Walbro HD-6 A  
Walbro HD-12 A EPA**



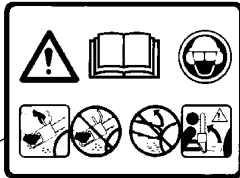
## CARBURETOR DETAILS

362 XP, 19991800001-Current

Part No	Description	Remark	QTY KIT
501 46 69-01	SCREW		1
501 46 84-01	SPRING		1
501 46 85-01	BALL		1
501 46 87-01	SCREW		1
501 46 87-01	SCREW		1
501 66 61-01	SCREEN		1
501 66 69-01	GASKET	503 64 78-01 SET OF GASKETS	1
501 66 77-01	SPRING		1
501 66 78-01	SPRING		1
501 66 83-01	LEVER		1
502 25 47-01	DIAPHRAGM PUMP	503 64 78-01 SET OF GASKETS	1
503 10 87-01	SCREW		1
503 28 16-20	CARBURETTOR		1
503 28 18-01	CARBURETTOR	EPA	1
503 56 24-01	SPRING		1
503 56 34-01	NEEDLE VALVE		1
503 57 42-01	PLUG		1
503 68 82-01	JET		1
503 79 96-01	LEVER		1
503 79 97-01	COVER		1
503 79 98-01	COVER		1
503 79 99-01	SHAFT		1
503 80 00-01	VALVE		1
503 80 04-01	NOZZLE		1
503 80 07-01	DIAPHRAGM	503 64 78-01 SET OF GASKETS	1
503 80 08-01	SCREW		1
503 80 09-01	SPRING		1
503 80 11-01	NEEDLE	H	1
503 80 14-01	FITTING		1
503 80 15-01	WASHER		1
503 85 58-01	VALVE		1
503 85 59-01	FITTING		1
503 91 39-01	LIMITER CAP	EPA	1
503 91 40-01	LIMITER CAP	EPA	1
503 91 54-01	RETAINER	EPA	1
503 94 36-01	NOZZLE ASSY	EPA	1
503 94 38-01	NEEDLE	L EPA	1
503 94 39-01	NEEDLE	H EPA	1
503 94 40-01	JET	EPA	1
504 02 72-13	NEEDLE-IDLE SPEED	L	1
504 13 09-05	GASKET	503 64 78-01 SET OF GASKETS	1
505 31 67-17	SCREW		1
505 52 01-25	PIN		1
530 03 50-15	SCREW		1
537 01 89-01	LEVER		1
537 01 90-01	SPRING		1
537 01 91-01	SHAFT ASSY		1

**Q** Accessories  
Zubehöre  
Accessories  
Accessorios  
Tillbehör

503 98 74-01



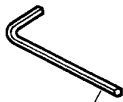
537 03 60-03



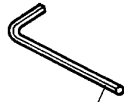
This saw is capable of severe kickback. Do not operate it unless you have extraordinary cutting needs and experience and specialized training for dealing with kickback. Chain saws with significantly reduced kickback potential are available. Follow all safety precautions in the Operator's Manual (s). Failure to follow instructions could result in serious personal injury.

UL LISTED SALES LISTED IN ACCORDANCE WITH AMERICAN NATIONAL STANDARD SAFETY SPECIFICATIONS FOR GASOLINE POWERED CHAIN SAWS (ANSI B17.1-1991).

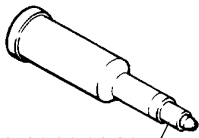
\*compl 503 55 85-01



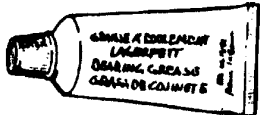
\*503 55 86-01 NV4



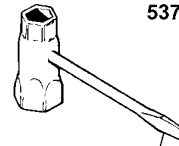
\*503 55 86-02 NV5



\*501 91 14-01

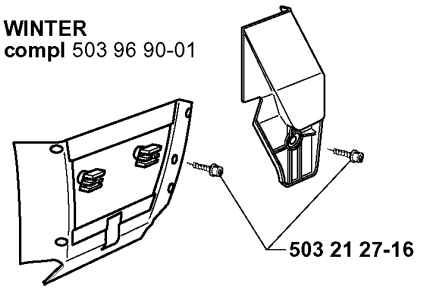


\*503 62 12-01



\*501 69 17-01

**WINTER**  
compl 503 96 90-01



503 21 27-16

**IMPORTANT ENGINE INFORMATION**  
HUSQVARNA SWEDEN EM  
THIS ENGINE CONFORMS TO U.S. EPA PH 1  
EMISSION REGULATION FOR SMALL  
NONROAD ENGINES. REFER TO OPERATOR'S  
MANUAL FOR MAINTENANCE  
SPECIFICATIONS AND ADJUSTMENTS.

362 EPA -537 03 61-21  
371 EPA -537 03 61-08



537 03 44-01

## ACCESSORIES

362 XP, 19991800001-Current

Part No	Description	Remark	QTY KIT
501 69 17-01	COMBINATION WRENCH		1
501 91 14-01	GREASE GUN		1
503 21 27-16	SCREW CRPANT		1
503 55 85-01	TOOL		1
503 55 86-01	SPANNER	NV4	1
503 55 86-02	SPANNER	NV5	1
503 62 12-01	GREASE		1
503 96 90-01	KIT	WINTER	1
503 98 74-01	LABEL		1
537 03 44-01	LABEL		1
537 03 60-03	LABEL		1
537 03 61-08	LABEL	371 EPA	1
537 03 61-21	LABEL	362 EPA	1