

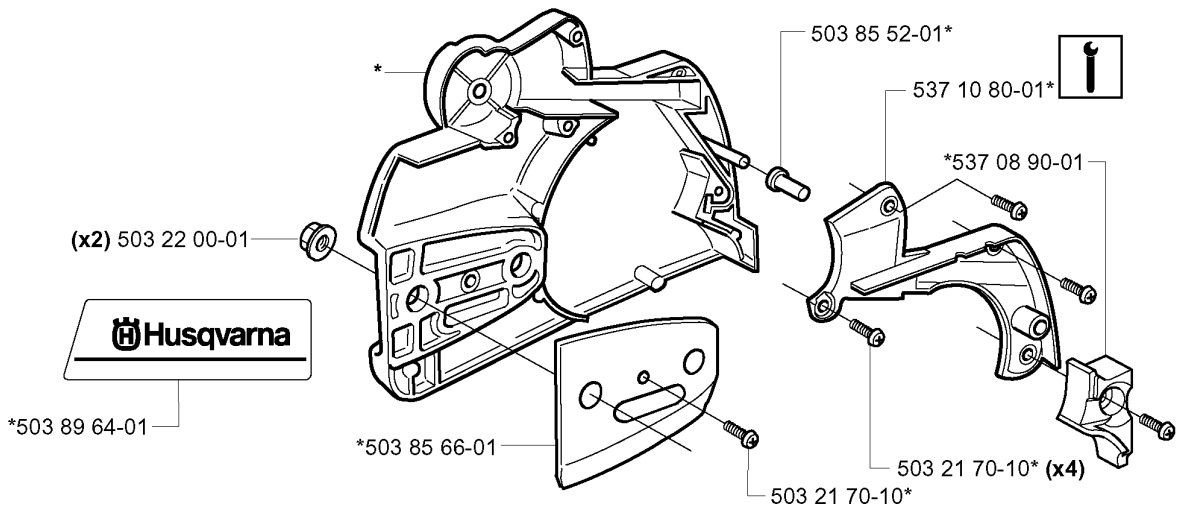
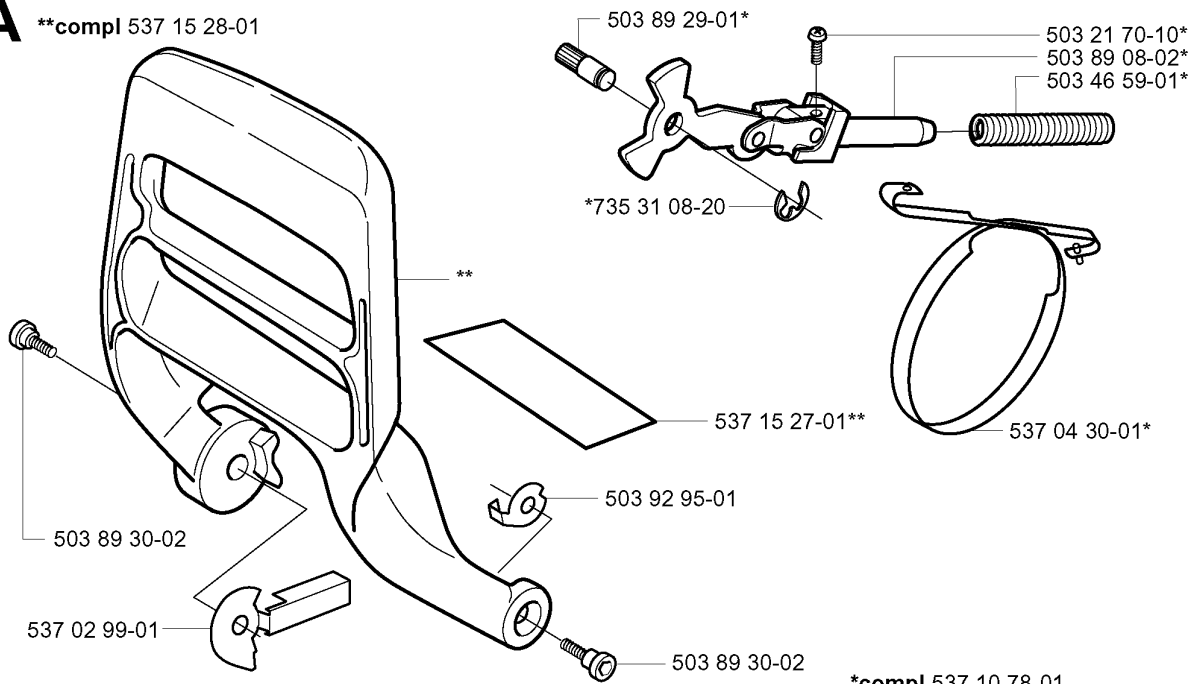


SPARE PARTS LIST

CHAIN SAWS

351, from 201527000001-current

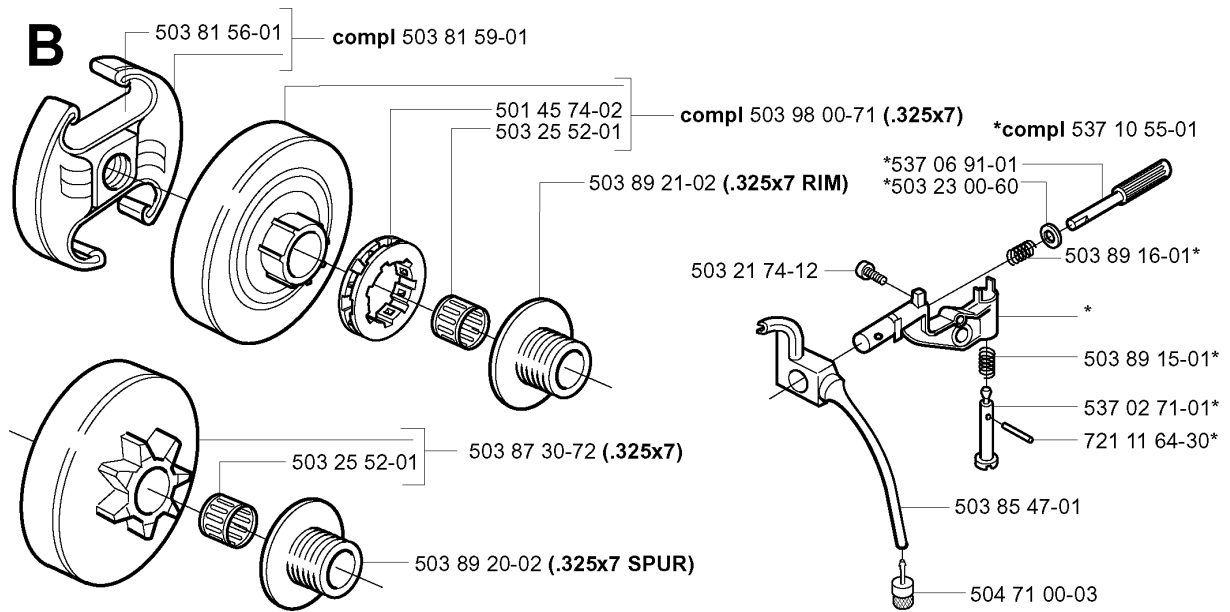
A **compl 537 15 28-01



CHAIN BRAKE

351, from 201527000001-current

Part No	Description	Remark	QTY KIT
503 21 70-10	SCREW CCRPANT		4
503 21 70-10	SCREW CCRPANT		1
503 21 70-10	SCREW CCRPANT		1
503 22 00-01	HEXAGON NUT		2
503 46 59-01	BRAKE SPRING		1
503 85 52-01	GUIDE BUSHING		1
503 85 66-01	COVER PLATE		1
503 89 08-02	KNEE JOINT ASSY		1
503 89 29-01	PIN		1
503 89 30-02	SCREW		1
503 89 30-02	SCREW		1
503 89 64-01	LABEL		1
503 92 95-01	WEAR WASHER		1
537 02 99-01	WEAR PROTECTION		1
537 04 30-01	BRAKE BAND ASSY		1
537 08 90-01	WEAR PROTECTION		1
537 10 78-01	CHAIN BRAKE		1
537 10 80-01	HUB CAP		1
537 15 27-01	HEAT PROTECTOR		1
537 15 28-01	HAND GUARD		1
735 31 08-20	E-CLIP		1

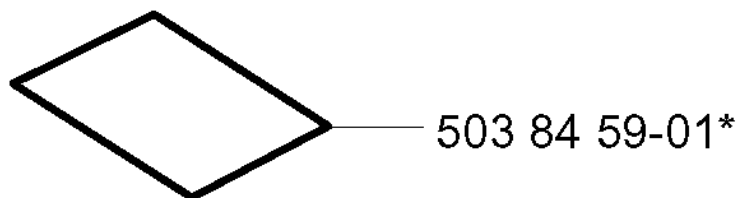
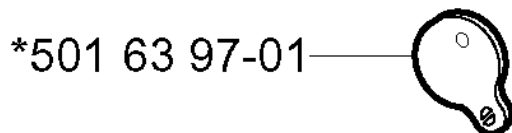
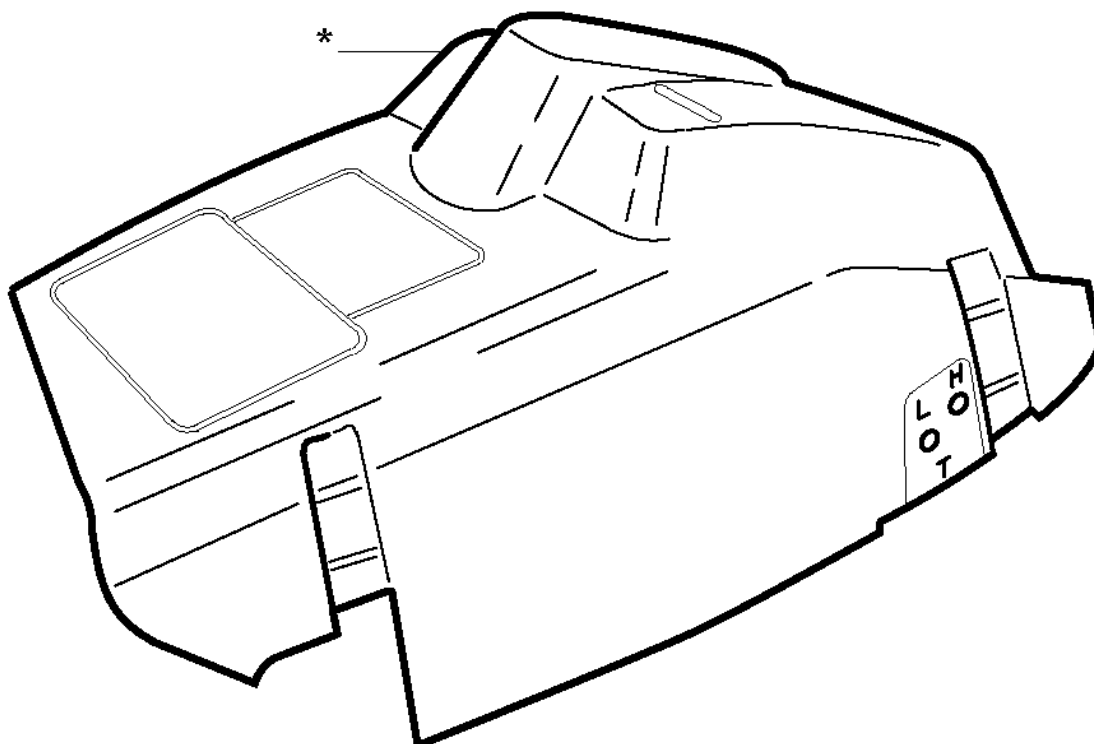


CLUTCH & OIL PUMP

351, from 201527000001-current

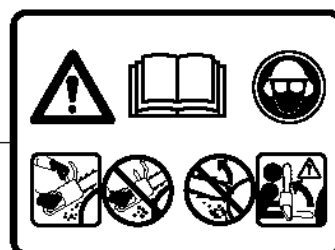
Part No	Description	Remark	QTY KIT
501 45 74-02	RIM		1
503 21 74-12	SCREW IHSCT		1
503 23 00-60	WASHER		1
503 25 52-01	NEEDLE BEARING		1
503 25 52-01	NEEDLE BEARING		1
503 81 56-01	CLUTCH SPRING		1
503 81 59-01	CLUTCH ASSY		1
503 85 47-01	OIL HOSE		1
503 87 30-72	CLUTCH DRUM ASSY	.325X7	1
503 89 15-01	SPRING		1
503 89 16-01	SPRING		1
503 89 20-02	PUMP PINION	.325X7 SPUR	1
503 89 21-02	PUMP PINION	.325X7 RIM	1
503 98 00-71	CLUTCH DRUM	.325X7	1
504 71 00-03	OIL PLUMMET		1
537 02 71-01	ADJUSTER		1
537 06 91-01	PUMP PISTON		1
537 10 55-01	OIL PUMP		1
721 11 64-30	GROOVED PIN		1

C *compl 503 90 90-02



503 84 59-01*

*503 98 74-01

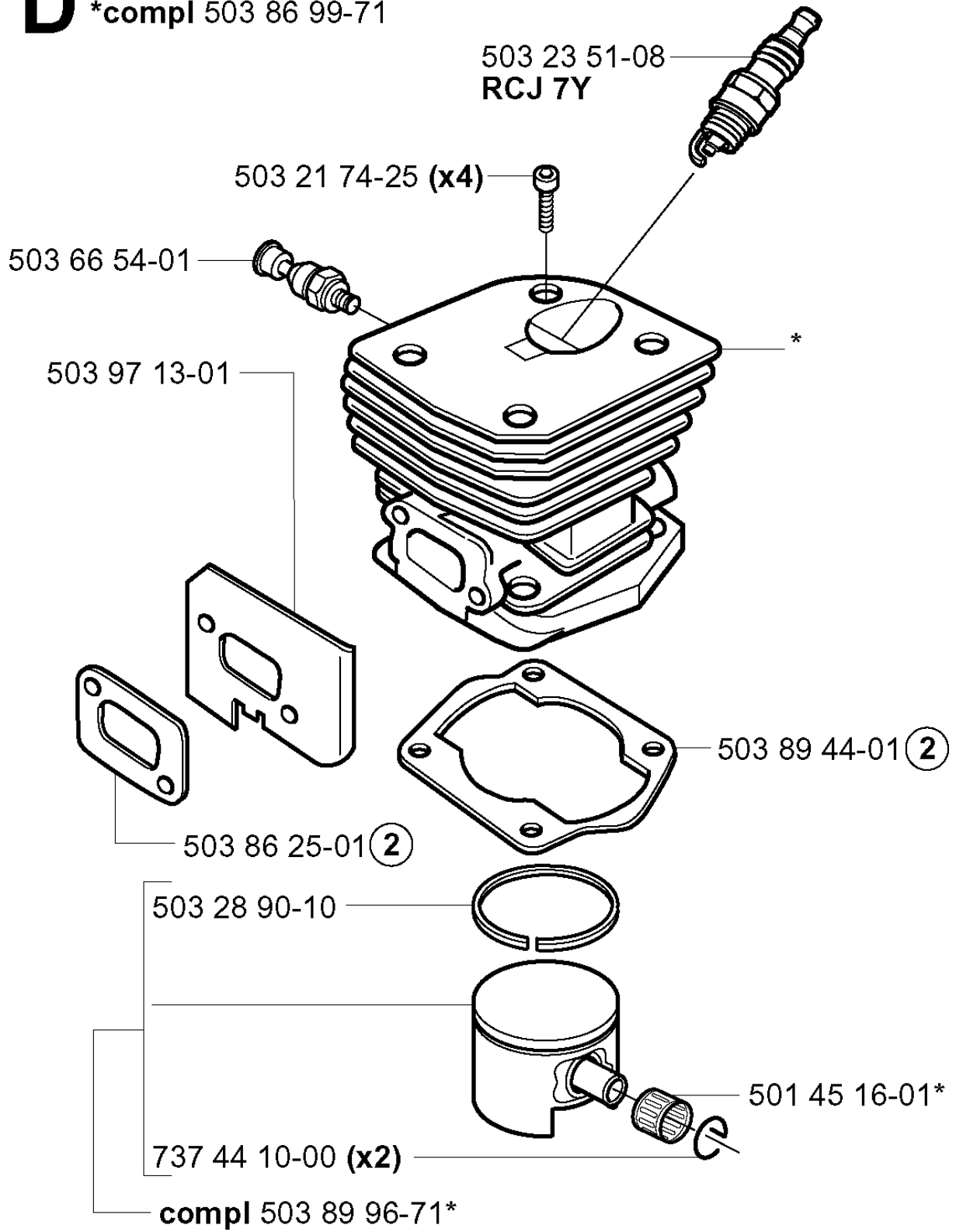


COVER

351, from 201527000001-current

Part No	Description	Remark	QTY KIT
501 63 97-01	COVER		1
503 84 59-01	HEAT PROTECTOR		1
503 90 90-02	CYLINDER COVER ASSY		1
503 98 74-01	LABEL		1

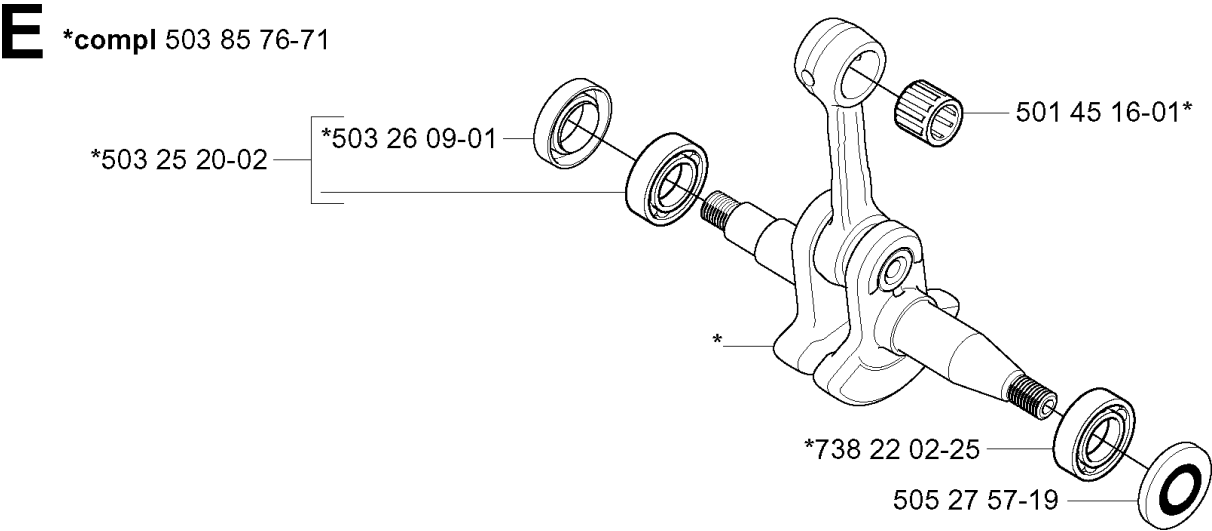
D *compl 503 86 99-71



CYLINDER PISTON

351, from 201527000001-current

Part No	Description	Remark	QTY KIT
501 45 16-01	NEEDLE BEARING		1
503 21 74-25	SCREW IHSCT		4
503 23 51-08	SPARK PLUG	RCJ 7Y	1
503 28 90-10	PISTON RING		1
503 66 54-01	DECOMPRESSION VALVE		1
503 86 25-01	GASKET		1
503 86 99-71	CYLINDER ASSY		1
503 89 44-01	GASKET		1
503 89 96-71	PISTON ASSY		1
503 97 13-01	HEAT DEFLECTOR		1
737 44 10-00	SNAP RING		2



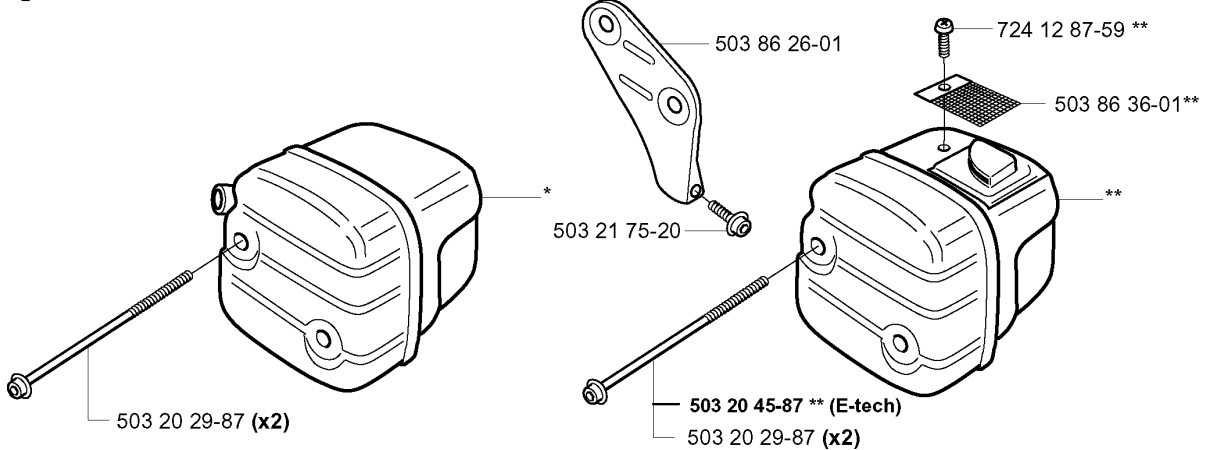
CRANKSHAFT

351, from 201527000001-current

Part No	Description	Remark	QTY KIT
501 45 16-01	NEEDLE BEARING		1
503 25 20-02	BALL BEARING		1
503 26 09-01	SEALING		1
503 85 76-71	CRANKSHAFT		1
505 27 57-19	SEALING RING		1
738 22 02-25	BALL BEARING		1

F *compl 503 86 27-02 (EU)

**compl 503 86 28-02 (DF)
**compl 537 07 54-01 (E-tech)

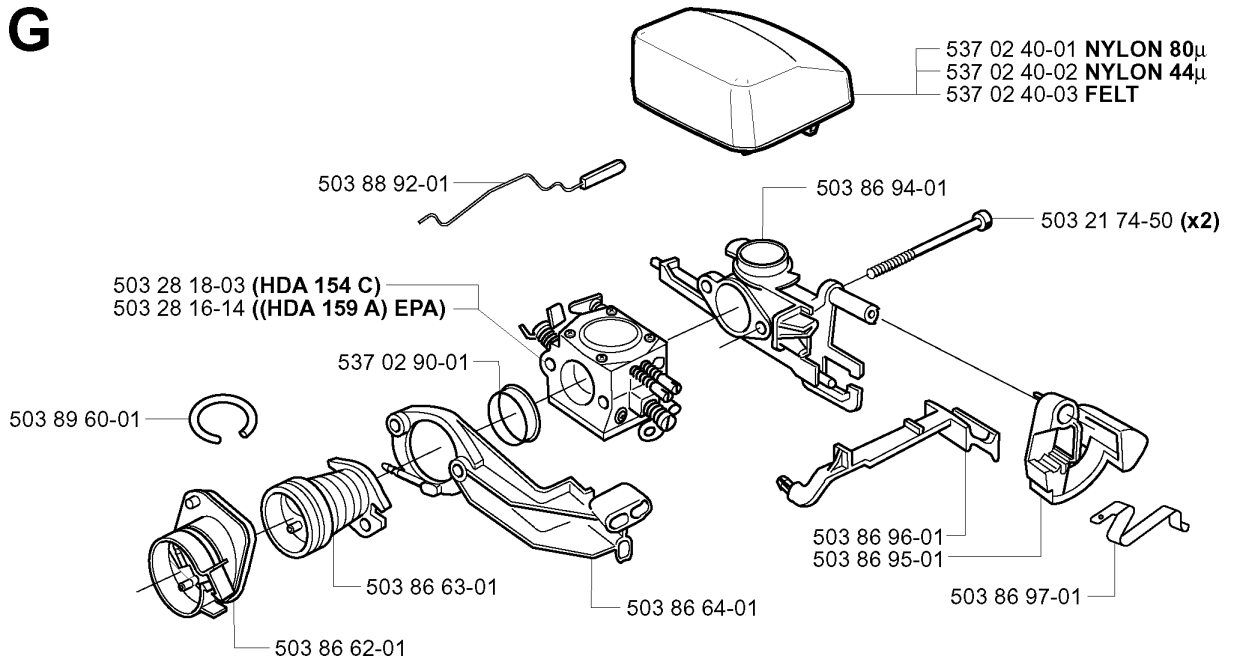


MUFFLER

351, from 201527000001-current

Part No	Description	Remark	QTY KIT
503 20 29-87	SCREW IHSCFM		2
503 20 29-87	SCREW IHSCFM		2
503 20 45-87	SCREW IHSCFM	E-TECH	1
503 21 75-20	SCREW IHSCFT		1
503 86 26-01	SUPPORT LEG		1
503 86 27-02	MUFFLER ASSY	EU	1
503 86 28-02	MUFFLER ASSY	DF	1
503 86 36-01	SPARK ARRESTER SCREEN		1
537 07 54-01	MUFFLER CAT	E-TECH	1
724 12 87-59	SCREW CRPANM		1

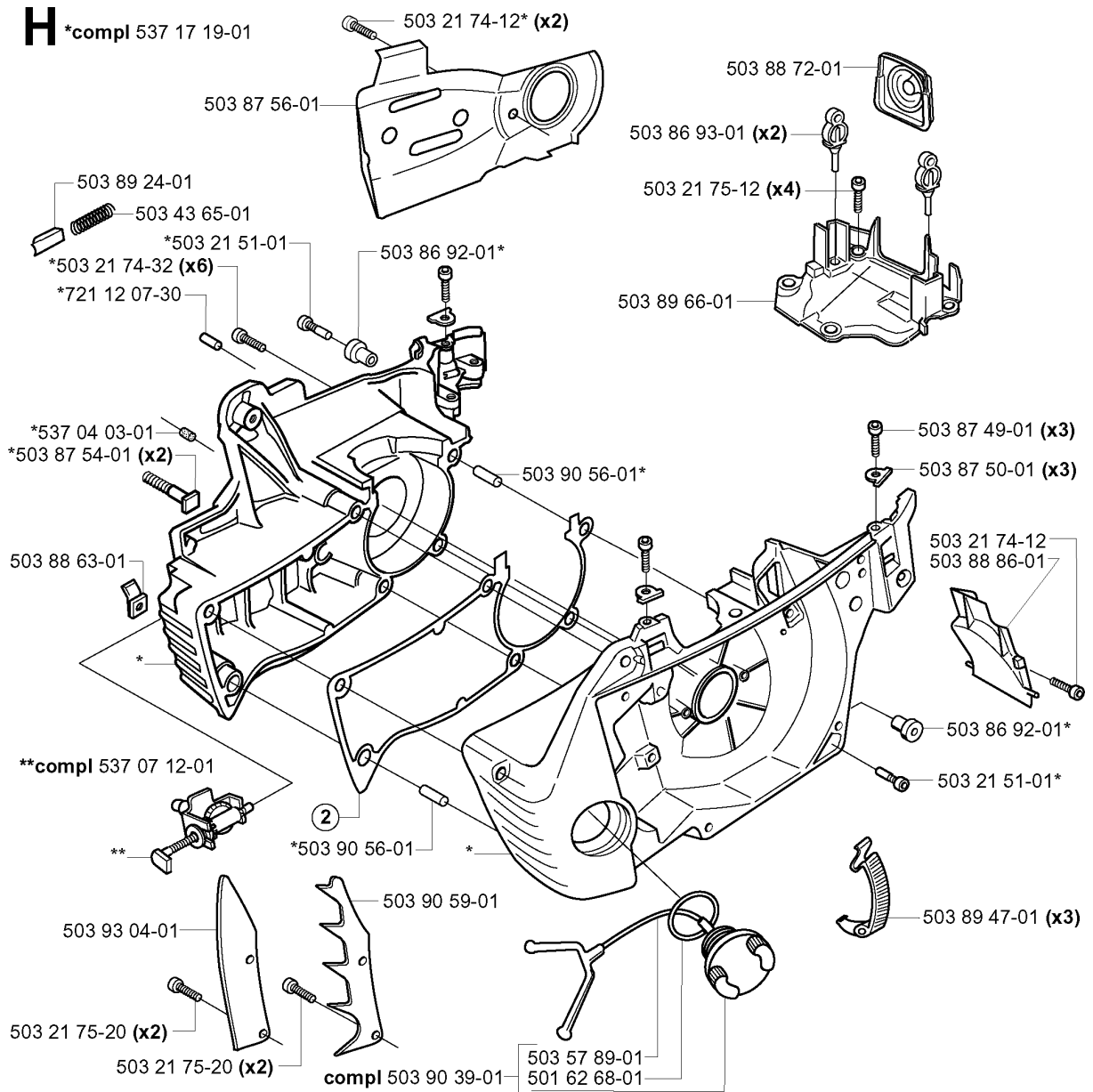
G



CARBURETOR & AIR FILTER

351, from 201527000001-current

Part No	Description	Remark	QTY KIT
503 21 74-50	SCREW IHSCCT		2
503 28 16-14	CARBURETTOR	HDA 159 A EPA	1
503 28 18-03	CARBURETTOR	HDA 154 C	1
503 86 62-01	INSULATION WALL		1
503 86 63-01	BELLOWS		1
503 86 64-01	FLANGE		1
503 86 94-01	INLET BEND		1
503 86 95-01	STOP CONTROL		1
503 86 96-01	CHOKE CONTROL		1
503 86 97-01	SHORT CIRCUIT SPRING		1
503 88 92-01	THROTTLE ROD		1
503 89 60-01	IMPULSE HOSE		1
537 02 40-01	AIR FILTER	NYLON	1
537 02 40-02	AIR FILTER	NYLON	1
537 02 40-03	AIR FILTER	FELT	1
537 02 90-01	SUPPORT RING		1



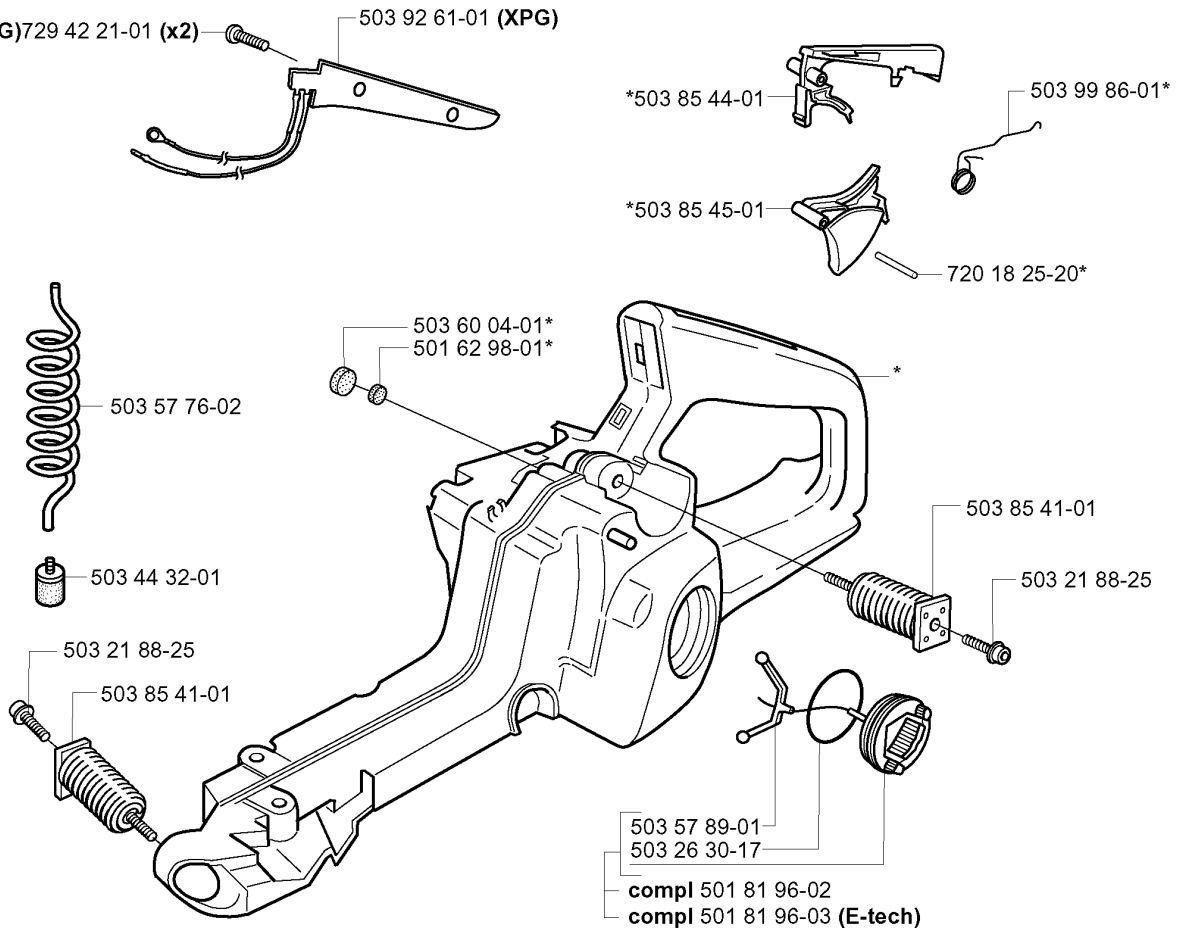
CRANKCASE

351, from 201527000001-current

Part No	Description	Remark	QTY KIT
501 62 68-01	GASKET		1
503 21 51-01	SCREW IHSC T		1
503 21 51-01	SCREW IHSC T		1
503 21 74-12	SCREW IHSC T		1
503 21 74-12	SCREW IHSC T		2
503 21 74-32	SCREW IHSC T		6
503 21 75-12	SCREW IHSC FT		4
503 21 75-20	SCREW IHSC FT		2
503 21 75-20	SCREW IHSC FT		2
503 43 65-01	POSITION SPRING		1
503 57 89-01	HOLDER		1
503 86 92-01	BUSHING		1
503 86 92-01	BUSHING		1
503 86 93-01	SUPPORT		2
503 87 49-01	GUIDE SCREW		3
503 87 50-01	WEAR PROTECTION		3
503 87 54-01	BAR BOLT		2
503 87 56-01	CHAIN GUIDE PLATE		1
503 88 63-01	PIN		1
503 88 72-01	BELLOWS		1
503 88 86-01	AIR NOZZLE		1
503 89 24-01	LOCK		1
503 89 47-01	SNAP LOCKING		3
503 89 66-01	CARBURETTOR		1
503 90 39-01	TANK		1
503 90 56-01	GUIDE BUSHING		1
503 90 56-01	GUIDE BUSHING		1
503 90 59-01	SPIKE		1
503 93 04-01	BUMPER		1
537 04 03-01	VALVE		1
537 07 12-01	CHAIN TENSIONER		1
537 17 19-01	CRANKCASE ASSY		1
721 12 07-30	GROOVED PIN		1

J *compl 503 86 37-71

(XPG)729 42 21-01 (x2) 503 92 61-01 (XPG)

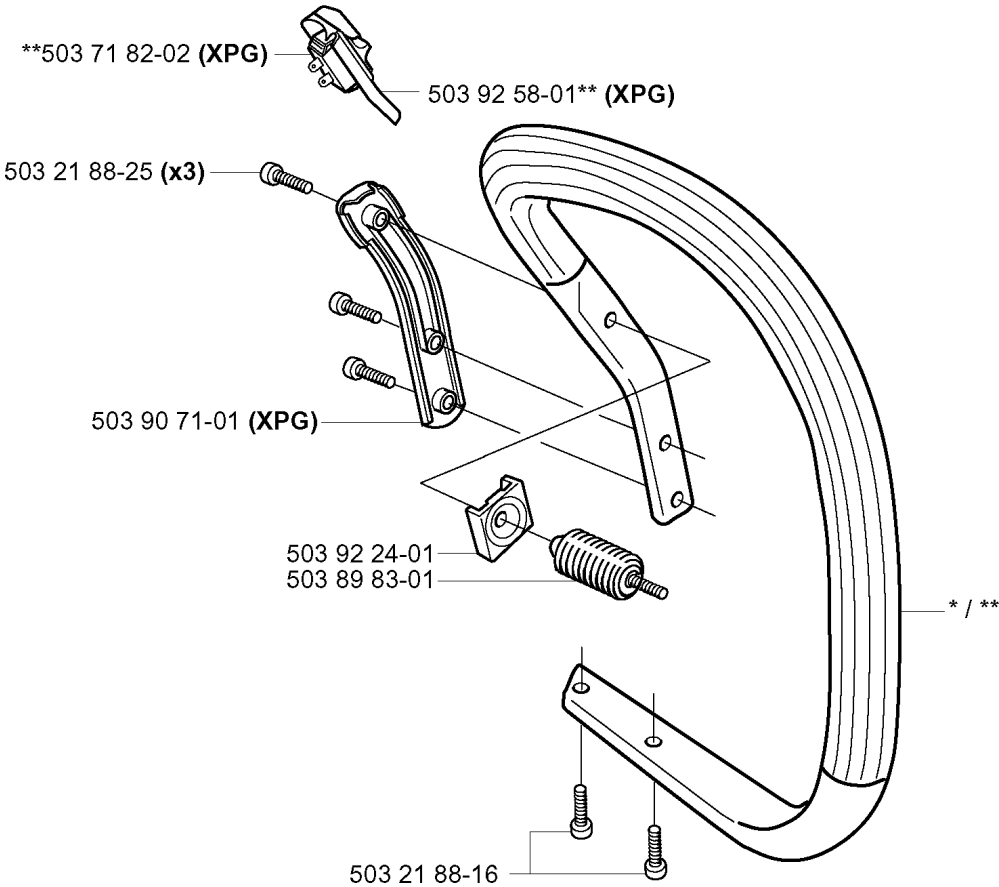


FUEL TANK

351, from 201527000001-current

Part No	Description	Remark	QTY KIT
501 62 98-01	VALVE PLUG		1
501 81 96-02	TANK CAP ASSY		1
501 81 96-03	TANK CAP ASSY	E-TECH	1
503 21 88-25	SCREW IHSCFT		1
503 21 88-25	SCREW IHSCFT		1
503 26 30-17	O-RING		1
503 44 32-01	FUEL FILTER		1
503 57 76-02	FUEL HOSE		1
503 57 89-01	HOLDER		1
503 60 04-01	FILTER PLUG		1
503 85 41-01	ANTIVIBRATION ELEMENT		1
503 85 41-01	ANTIVIBRATION ELEMENT		1
503 85 44-01	THROTTLE LOCKOUT		1
503 85 45-01	TRIGGER		1
503 86 37-71	FUEL TANK		1
503 92 61-01	HEATING PLATE	XPG	1
503 99 86-01	RECOIL SPRING		1
720 18 25-20	PARALLEL PIN		1
729 42 21-01	SCREW SLCSTRT	XPG	2

K *compl 503 90 93-01 **compl 503 90 93-02 (XPG)

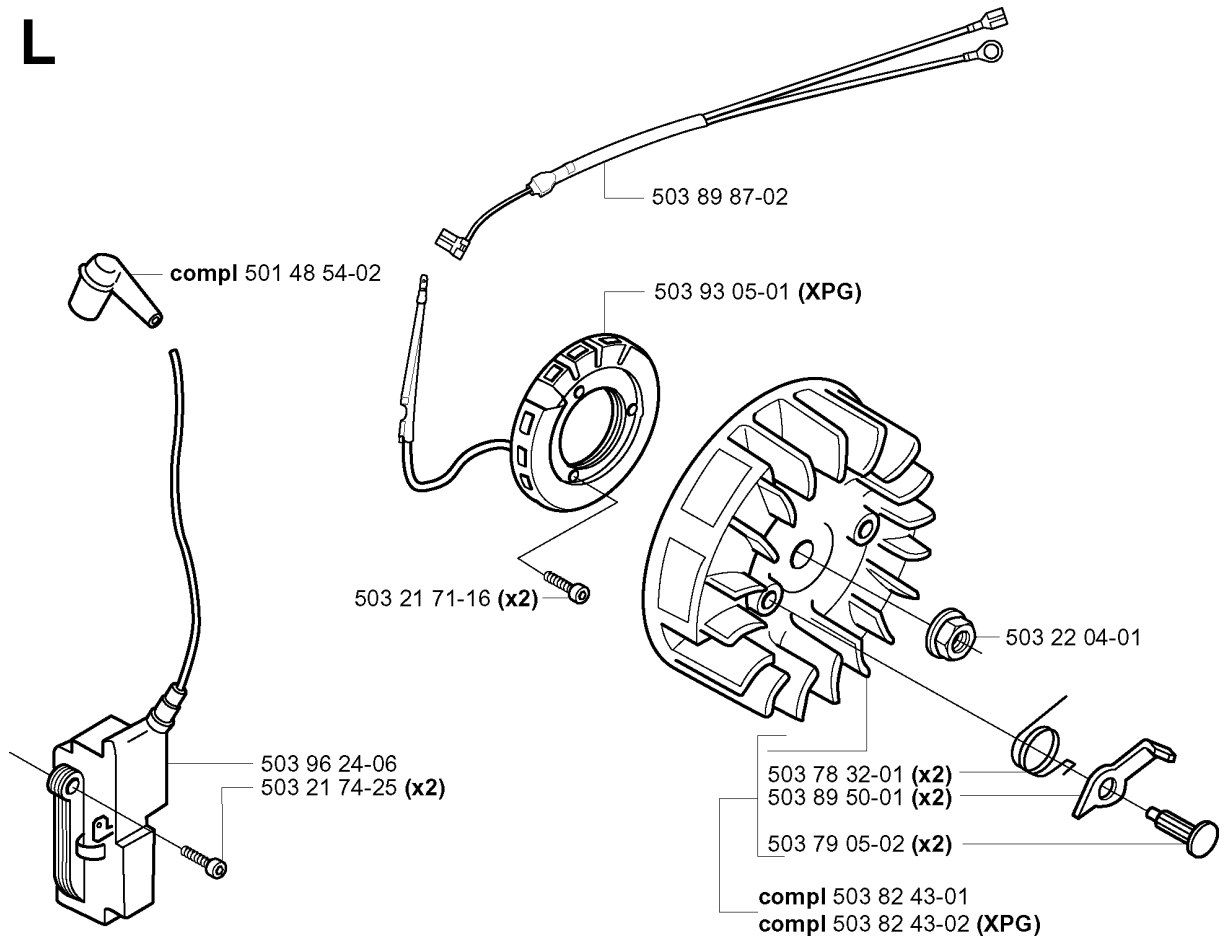


HANDLE

351, from 201527000001-current

Part No	Description	Remark	QTY KIT
503 21 88-16	SCREW IHSCCT		1
503 21 88-25	SCREW IHSCFT		3
503 71 82-02	SWITCH	XPG	1
503 89 83-01	ANTIVIBRATION ELEMENT		1
503 90 71-01	COVER	XPG	1
503 90 93-01	HANDLE		1
503 90 93-02	HANDLE	XPG	1
503 92 24-01	SPACER		1
503 92 58-01	FRAME	XPG	1

L

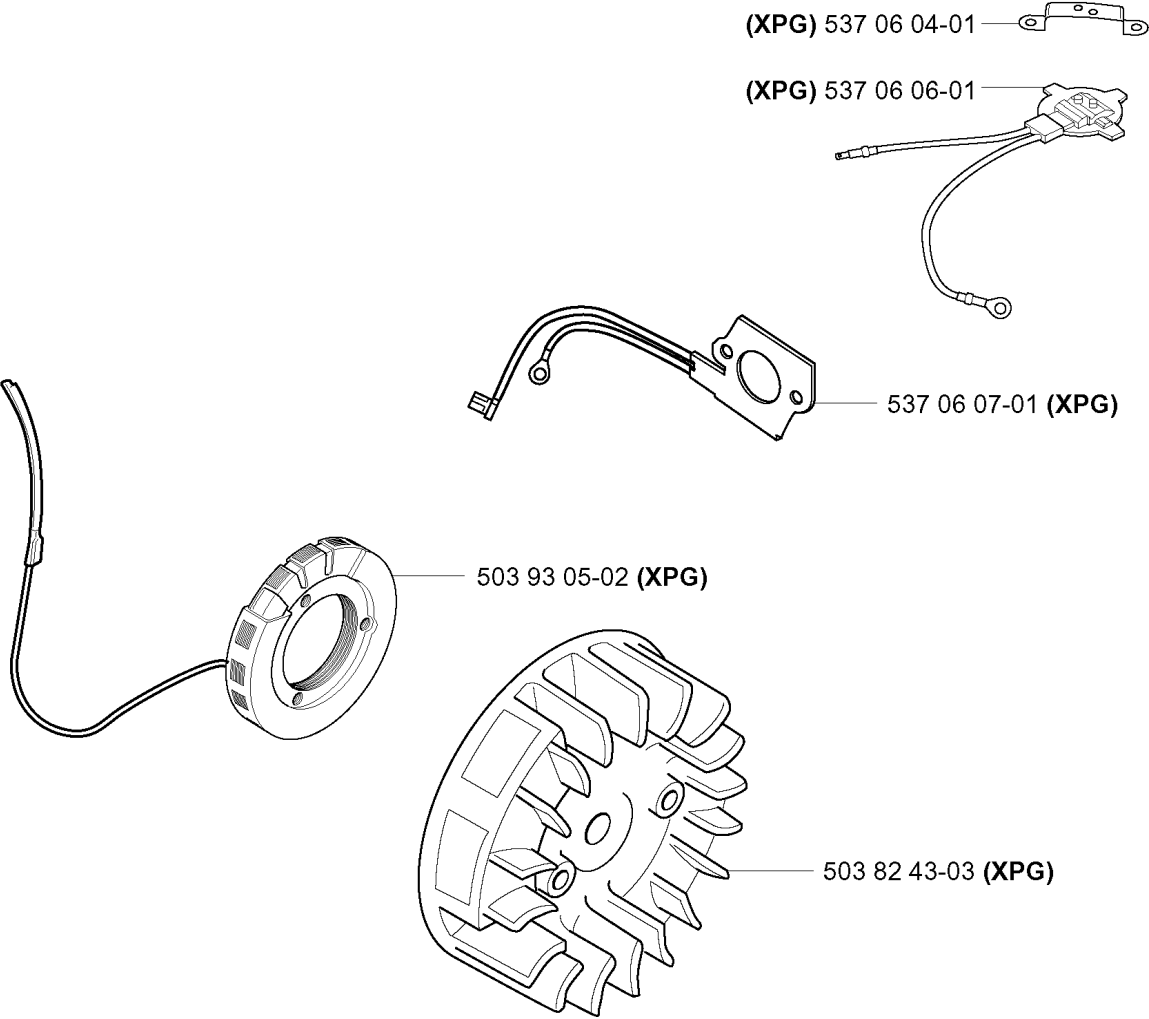


IGNITION SYSTEM

351, from 201527000001-current

Part No	Description	Remark	QTY KIT
501 48 54-02	SPARK PLUG CAP		1
503 21 71-16	SCREW IHSCT		2
503 21 74-25	SCREW IHSCT		2
503 22 04-01	NUT		1
503 78 32-01	SPRING		2
503 79 05-02	RIVET		2
503 82 43-01	FLYWHEEL		1
503 82 43-02	FLYWHEEL	XPG	1
503 89 50-01	STARTER PAWL		2
503 89 87-02	WIRING ASSY		1
503 93 05-01	GENERATOR STATOR	XPG	1
503 96 24-06	ELECTRONIC MODULE		1

Heated carburettor



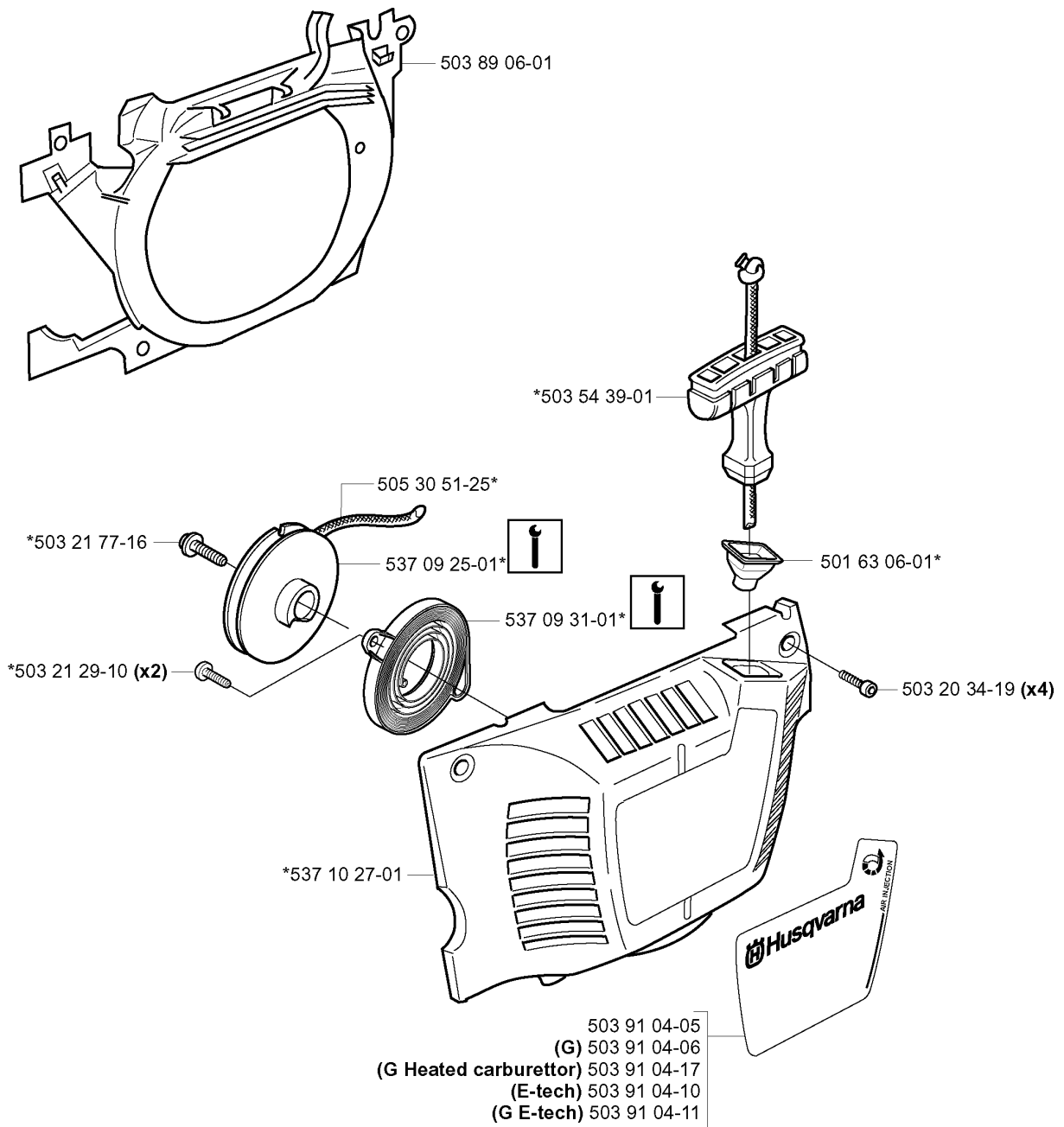
ELECTRICAL

351, from 201527000001-current

Part No	Description	Remark	QTY KIT
503 82 43-03	FLYWHEEL	XPG	1
503 93 05-02	GENERATOR STATOR	XPG	1
537 06 04-01	RETAINER	XPG	1
537 06 06-01	THERMOSTAT	XPG	1
537 06 07-01	FOIL ELEMENT	XPG	1

M

*compl 537 10 47-01

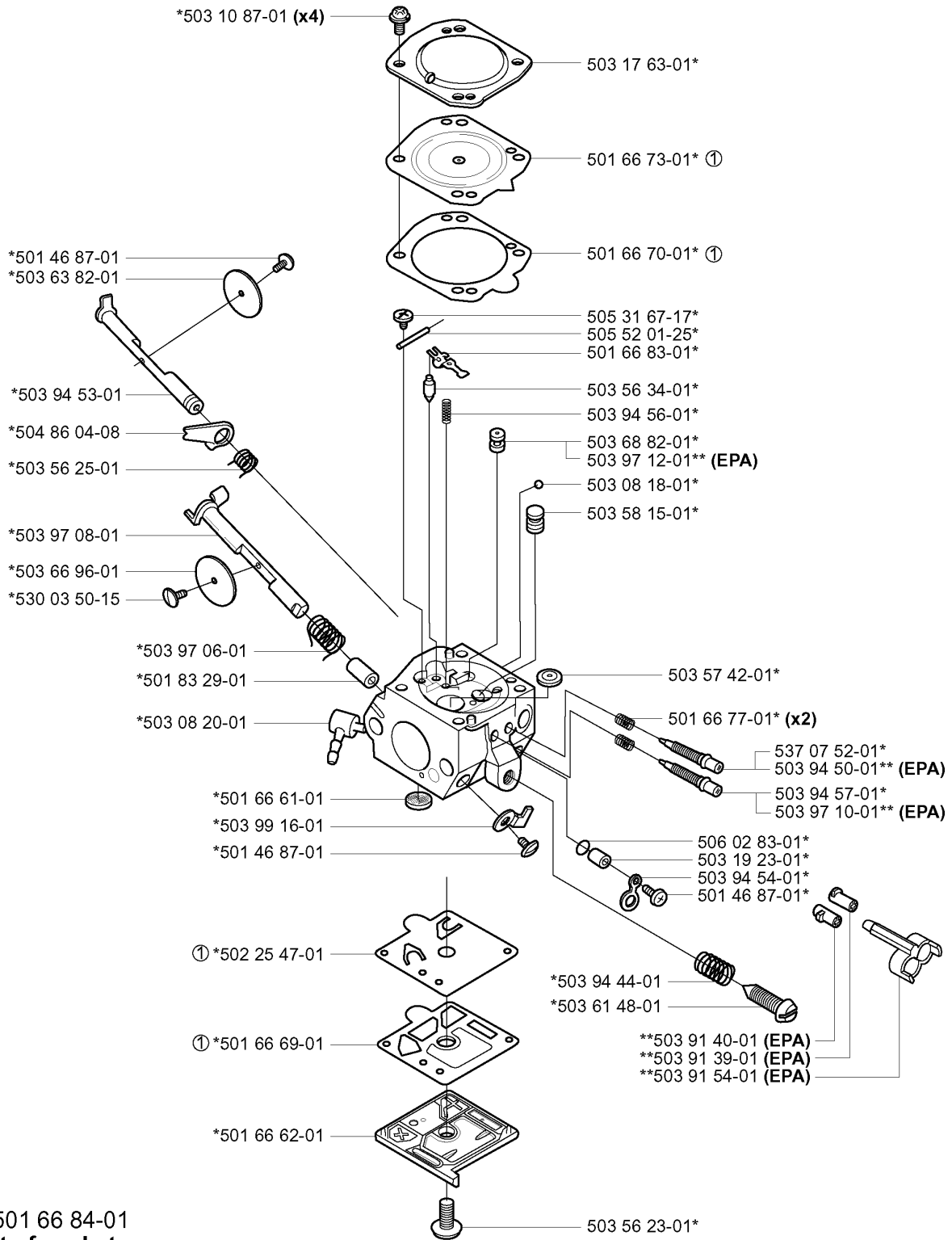


STARTER

351, from 201527000001-current

Ref	Part No	Description	Remark	QTY KIT
537 10 47-01	537 10 47-01	STARTER ASSY		1
503 21 77-16	503 21 77-16	SCREW IHSC		1
503 21 29-10	503 21 29-10	SCREW CCRPANT		2
537 10 27-01	537 10 27-01	STARTER HOUSING		1
503 91 04-05	503 91 04-05	LABEL		1
503 91 04-06	503 91 04-06	LABEL	G	1
503 91 04-17	503 91 04-17	LABEL	G HEATED CARBURETTOR	1
503 91 04-10	503 91 04-10	LABEL	E-TECH	1
503 91 04-11	503 91 04-11	LABEL	G E-TECH	1
503 20 34-19	503 20 34-19	SCREW CCRPANMO		4
501 63 06-01	501 63 06-01	SLEEVE		1
537 09 31-01	537 09 31-01	SPRING CASSETTE ASSY		1
537 09 25-01	537 09 25-02	STARTER PULLEY		1
505 30 51-25	505 30 51-25	STARTER CORD		1
503 54 39-01	503 54 39-01	STARTER HANDLE		1
503 89 06-01	503 89 06-01	AIR CONDUCTOR		1

N *compl 503 28 18-03 Walbro HDA 154 C
 **compl 503 28 16-14 Walbro HDA 159 A (EPA)



① 501 66 84-01
Set of gaskets
Dichtungssatz
Jeu de joints
Juego de juntas
Packningssats

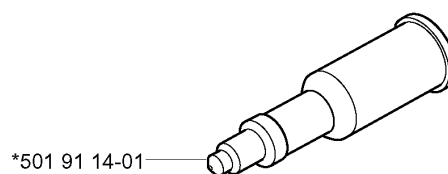
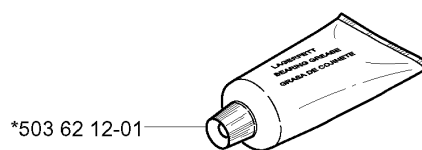
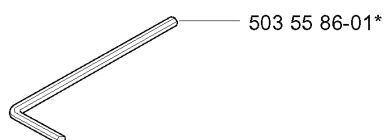
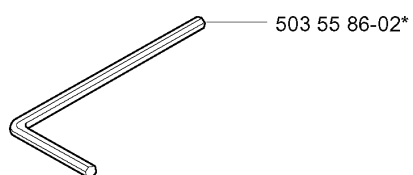
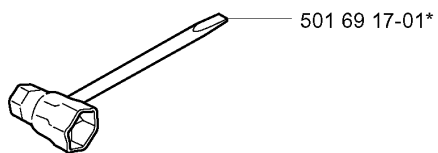
CARBURETOR DETAILS

351, from 201527000001-current

Part No	Description	Remark	QTY KIT
501 46 87-01	SCREW		1
501 46 87-01	SCREW		1
501 46 87-01	SCREW		1
501 66 61-01	SCREEN		1
501 66 62-01	COVER		1
501 66 69-01	GASKET	501 66 84-01 SET OF GASKETS	1
501 66 70-01	GASKET	501 66 84-01 SET OF GASKETS	1
501 66 73-01	DIAPHRAGM	501 66 84-01 SET OF GASKETS	1
501 66 77-01	SPRING		2
501 66 83-01	LEVER		1
501 83 29-01	BUSHING		1
502 25 47-01	DIAPHRAGM PUMP	501 66 84-01 SET OF GASKETS	1
503 08 18-01	PLUG		1
503 08 20-01	FITTING		1
503 10 87-01	SCREW		4
503 17 63-01	COVER		1
503 19 23-01	SPACER-SHAFT-CHOKE		1
503 28 16-14	CARBURETTOR	WALBRO HDA 159 A (EPA)	1
503 28 18-03	CARBURETTOR	WALBRO HDA 154 C	1
503 56 23-01	SCREW		1
503 56 25-01	SPRING		1
503 56 34-01	NEEDLE VALVE		1
503 57 42-01	PLUG		1
503 58 15-01	NOZZLE ASSY		1
503 61 48-01	SCREW		1
503 63 82-01	VALVE CHOKE		1
503 66 96-01	VALVE THROTTLE		1
503 68 82-01	JET		1
503 91 39-01	LIMITER CAP	EPA	1
503 91 40-01	LIMITER CAP	EPA	1
503 91 54-01	RETAINER	EPA	1
503 94 44-01	SPRING		1
503 94 50-01	NEEDLE	EPA	1
503 94 53-01	SHAFT ASSY		1
503 94 54-01	LEVER		1
503 94 56-01	SPRING		1
503 94 57-01	NEEDLE		1
503 97 06-01	SPRING		1
503 97 08-01	SHAFT ASSY		1
503 97 10-01	NEEDLE	EPA	1
503 97 12-01	JET	EPA	1
503 99 16-01	LEVER		1
504 86 04-08	LEVER		1
505 31 67-17	SCREW		1
505 52 01-25	PIN		1
506 02 83-01	WASHER		1
530 03 50-15	SCREW		1
537 07 52-01	NEEDLE		1

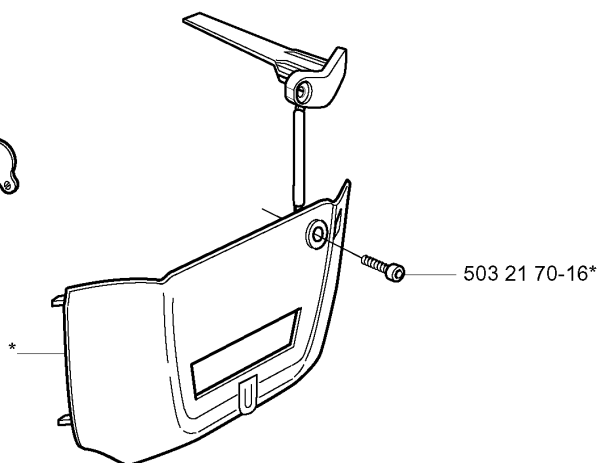
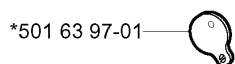
P Tillbehör
 Accessories
 Zubehöre
 Accessoires
 Accesorios

*compl 503 55 85-01



WINTER KIT

*compl 537 04 28-71



ACCESSORIES

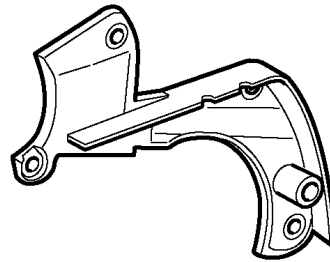
351, from 201527000001-current

Part No	Description	Remark	QTY KIT
501 63 97-01	COVER		1
501 69 17-01	COMBINATION WRENCH		1
501 91 14-01	GREASE GUN		1
503 21 70-16	SCREW CCRPANT		1
503 55 85-01	TOOL		1
503 55 86-01	SPANNER		1
503 55 86-02	SPANNER		1
503 62 12-01	GREASE		1
537 04 28-71	KIT		1

Q



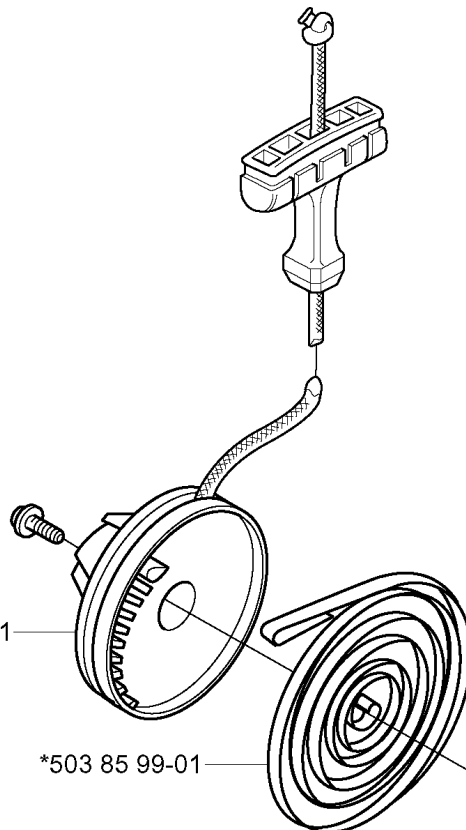
Up to 991499999 (1999)



503 89 07-02



Up to 010500001 (2001)



*503 87 63-01

*503 85 99-01

SERVICE UPDATES

351, from 201527000001-current

Part No	Description	Remark	QTY KIT
503 85 99-01	RECOIL SPRING		1
503 87 63-01	STARTER PULLEY		1
503 89 07-02	HUB CAP		1