

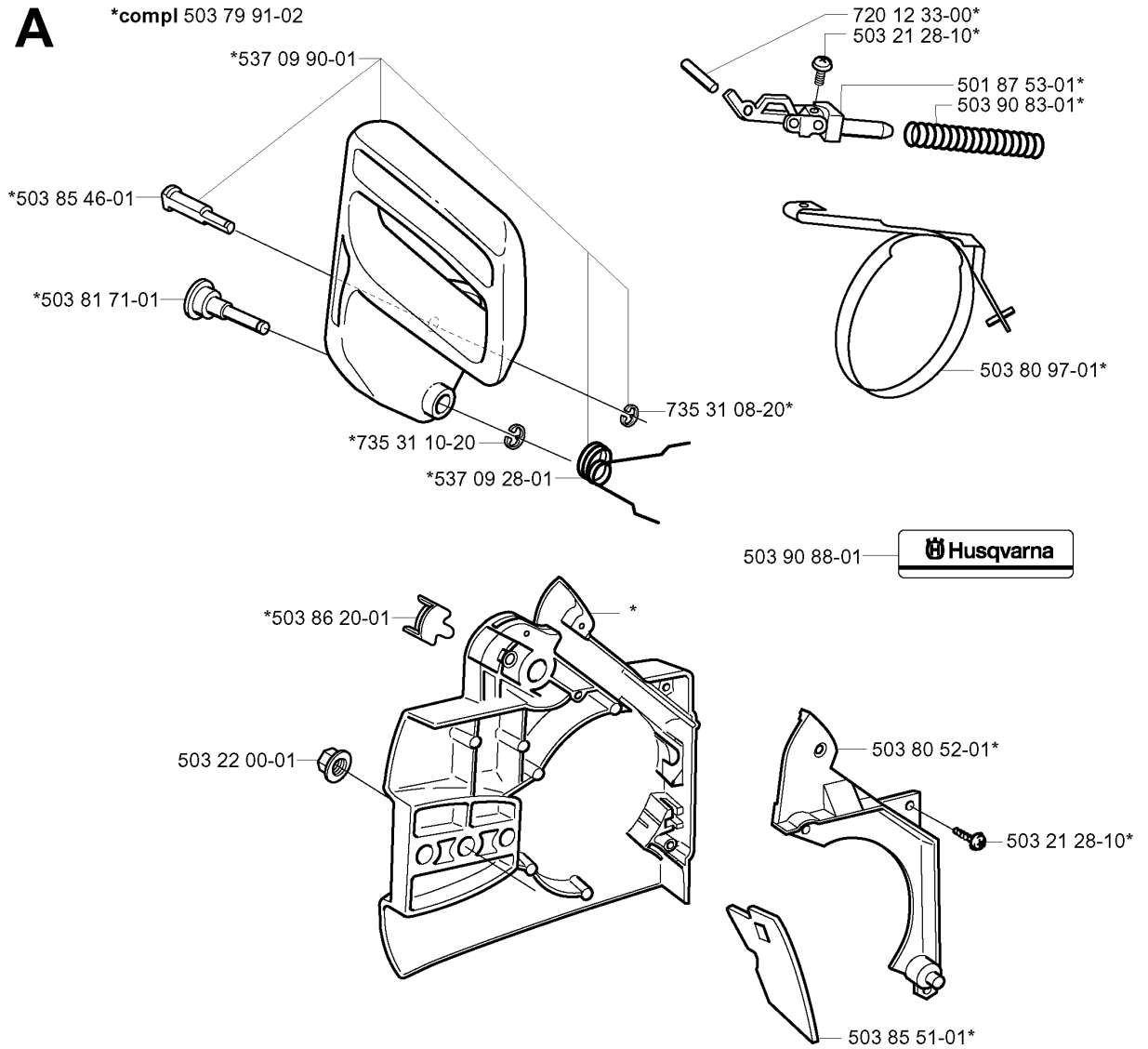


SPARE PARTS LIST

CHAIN SAWS

333, JAPAN, 2000-10

A



CHAIN BRAKE

333, JAPAN, 2000-10

Part No	Description	Remark	QTY KIT
501 87 53-01	KNEE JOINT ASSY		1
503 21 28-10	SCREW CCRPANT		1
503 21 28-10	SCREW CCRPANT		1
503 22 00-01	HEXAGON NUT		1
503 79 91-02	CHAIN BRAKE ASSY		1
503 80 52-01	HUB CAP		1
503 80 97-01	BRAKE BAND ASSY		1
503 81 71-01	SHAFT PIVOT		1
503 85 46-01	PIVOT PIN		1
503 85 51-01	CHIP GUARD		1
503 86 20-01	SPRING GUIDE		1
503 90 83-01	BRAKE SPRING		1
503 90 88-01	LABEL		1
537 09 28-01	POSITION SPRING		1
537 09 90-01	HAND GUARD		1
720 12 33-00	PARALLEL PIN		1
735 31 08-20	E-CLIP		1
735 31 10-20	E-CLIP		1

B

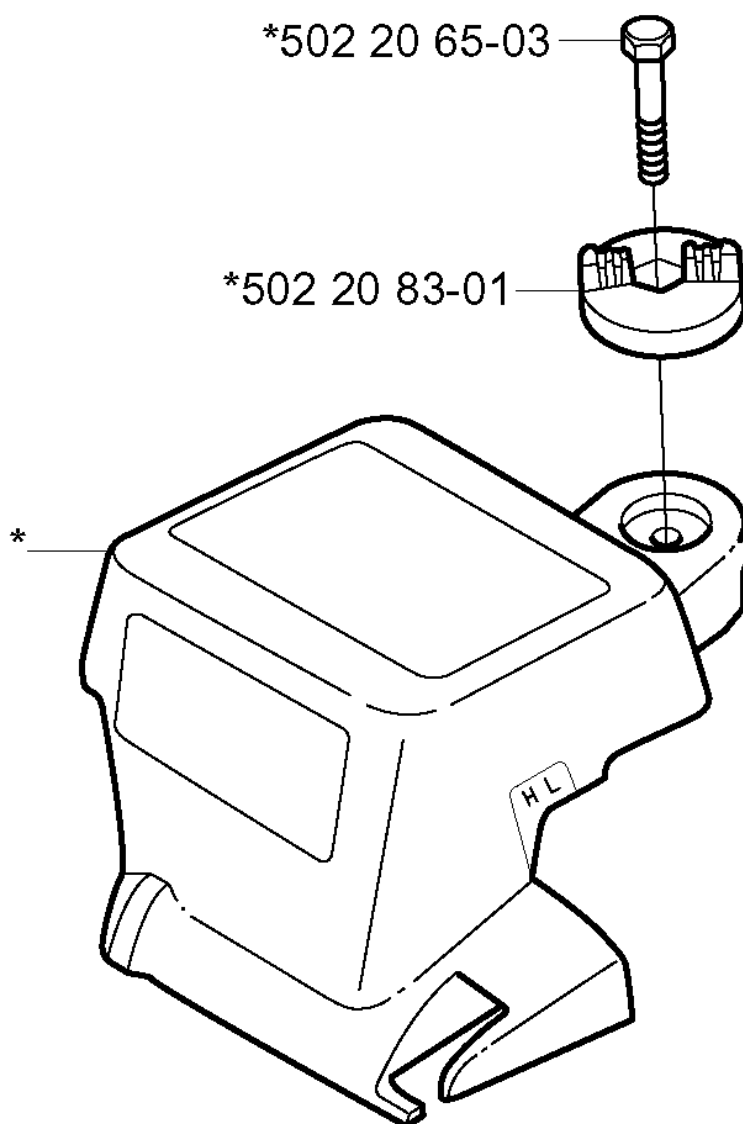
*compl 537 13 59-71

*537 13 52-01



*502 20 65-03

*502 20 83-01

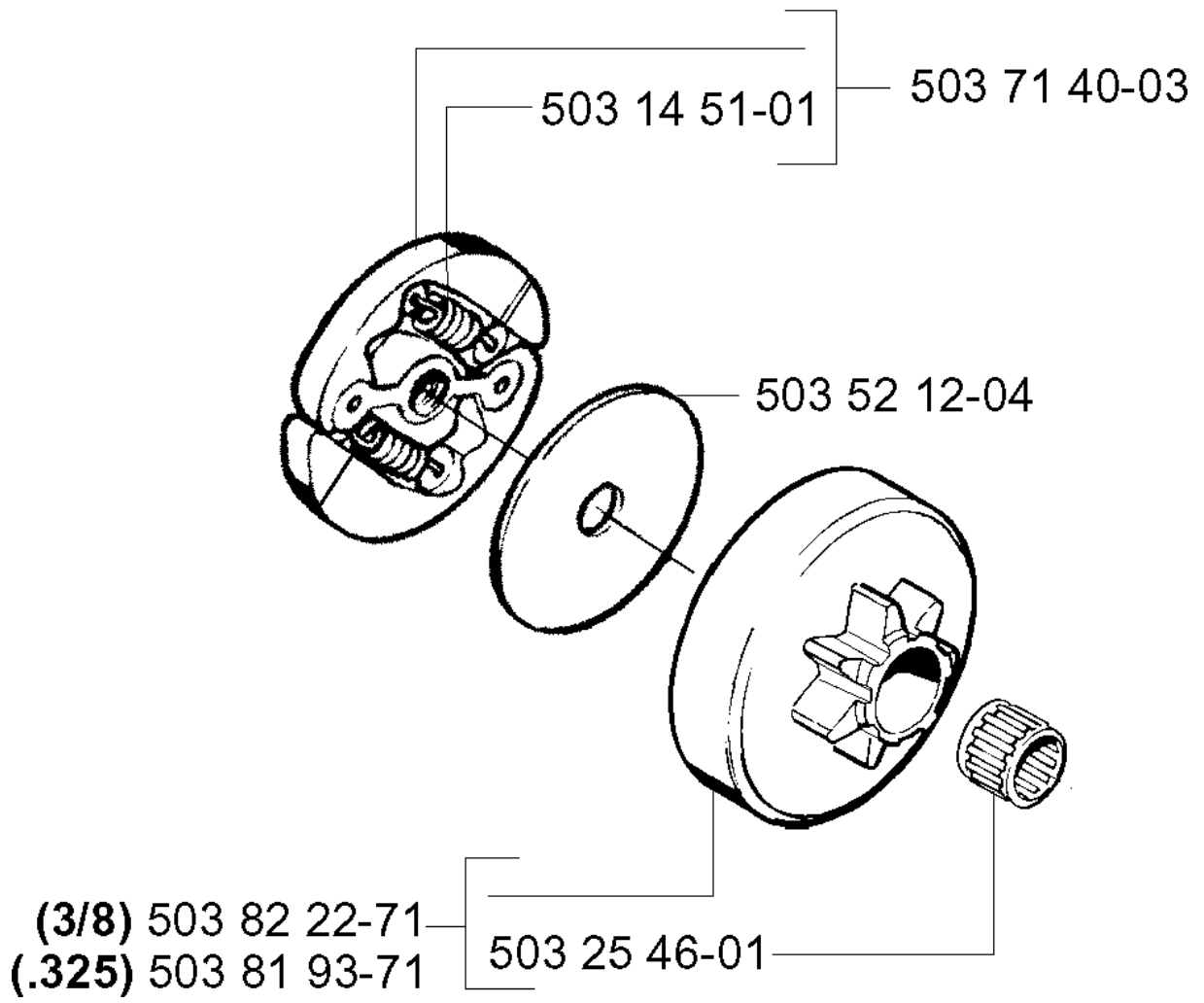


AIR FILTER COVER

333, JAPAN, 2000-10

Part No	Description	Remark	QTY KIT
502 20 65-03	SCREW EHHM		1
502 20 83-01	KNOB		1
537 13 52-01	LABEL		1
537 13 59-71	FILTER COVER		1

C

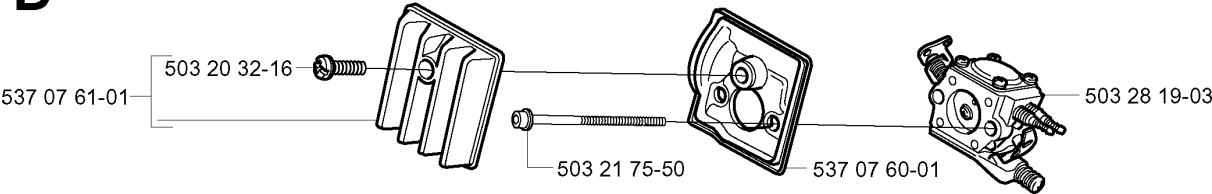


CLUTCH

333, JAPAN, 2000-10

Part No	Description	Remark	QTY KIT
503 14 51-01	CLUTCH SPRING		1
503 25 46-01	NEEDLE BEARING		1
503 52 12-04	WASHER		1
503 71 40-03	CLUTCH ASSY		1
503 81 93-71	CLUTCH DRUM	.325	1
503 82 22-71	CLUTCH DRUM ASSY	3/8	1

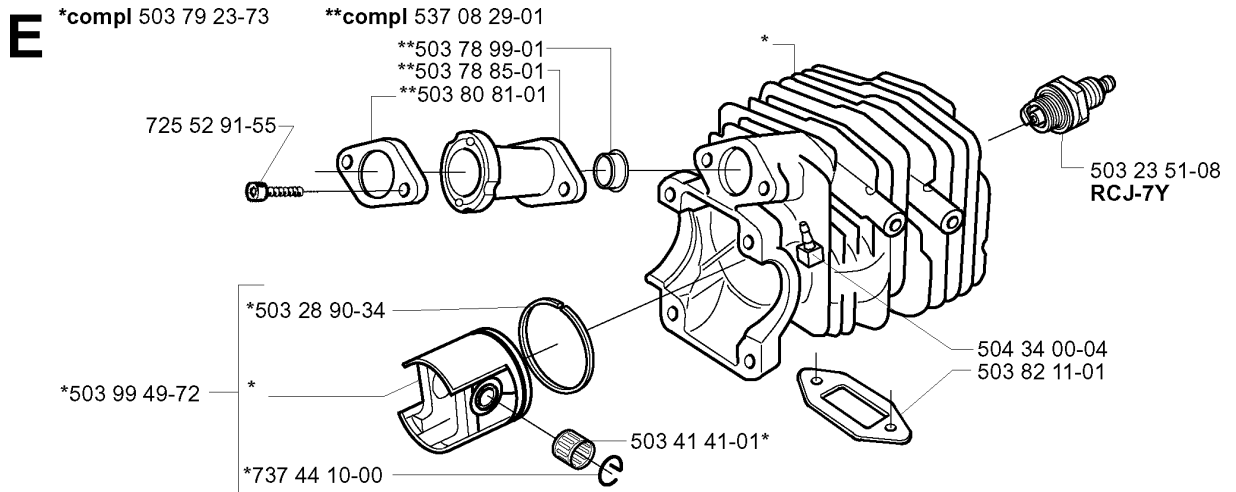
D



CARBURETOR

333, JAPAN, 2000-10

Part No	Description	Remark	QTY KIT
503 20 32-16	SCREW CCRPANMO		1
503 21 75-50	SCREW IHSCFT		1
503 28 19-03	CARBURETTOR		1
537 07 60-01	AIR FILTER BOTTOM		1
537 07 61-01	AIR FILTER		1

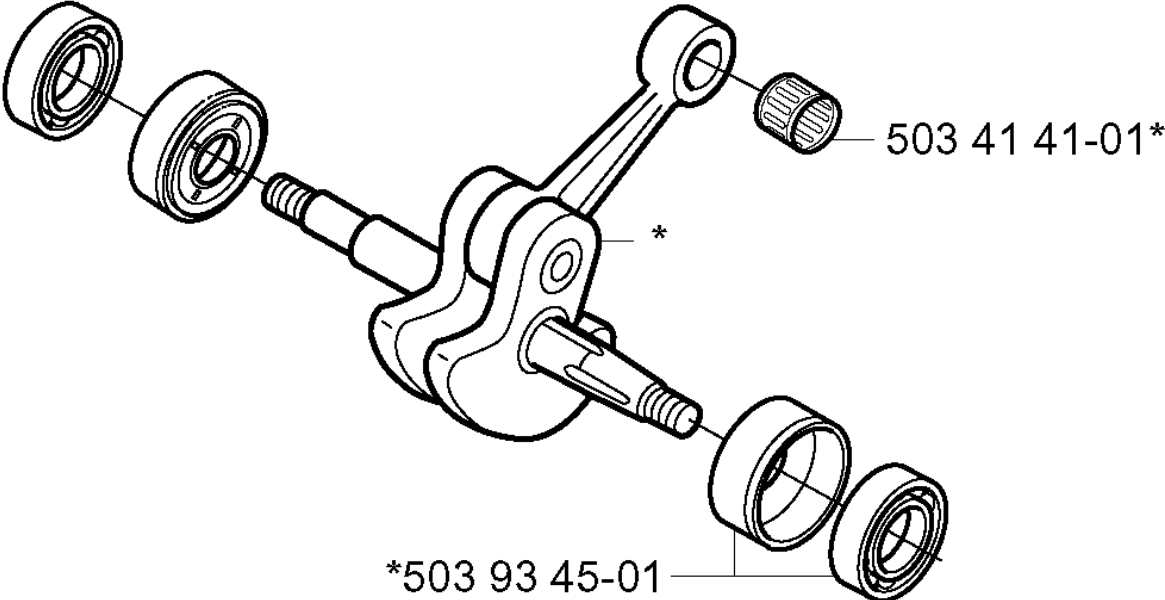


CYLINDER PISTON

333, JAPAN, 2000-10

Part No	Description	Remark	QTY KIT
503 23 51-08	SPARK PLUG	RCJ-7Y	1
503 28 90-34	PISTON RING		1
503 41 41-01	NEEDLE BEARING		1
503 78 85-01	INLET PIPE		1
503 78 99-01	SUPPORT SLEEVE		1
503 79 23-73	CYLINDER ASSY		1
503 80 81-01	FLANGE		1
503 82 11-01	GASKET		1
503 99 49-72	PISTON ASSY		1
504 34 00-04	FITTING		1
537 08 29-01	KIT		1
725 52 91-55	SCREW IHSCM		1
737 44 10-00	SNAP RING		1

F *compl 503 84 53-71



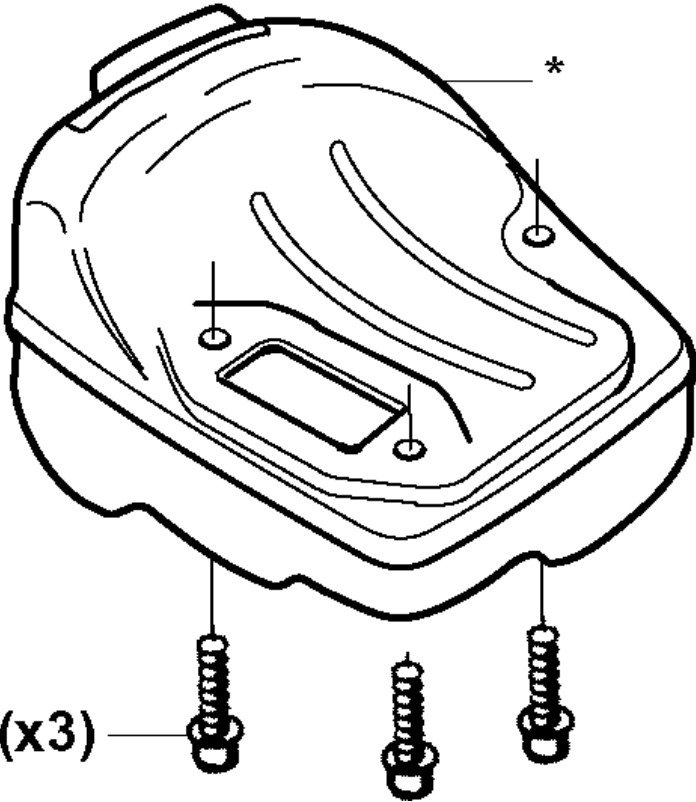
CRANKSHAFT

333, JAPAN, 2000-10

Part No	Description	Remark	QTY KIT
503 41 41-01	NEEDLE BEARING		1
503 84 53-71	CRANKSHAFT ASSY		1
503 93 45-01	BEARING CAGE		1

G

***compl 503 93 03-02**

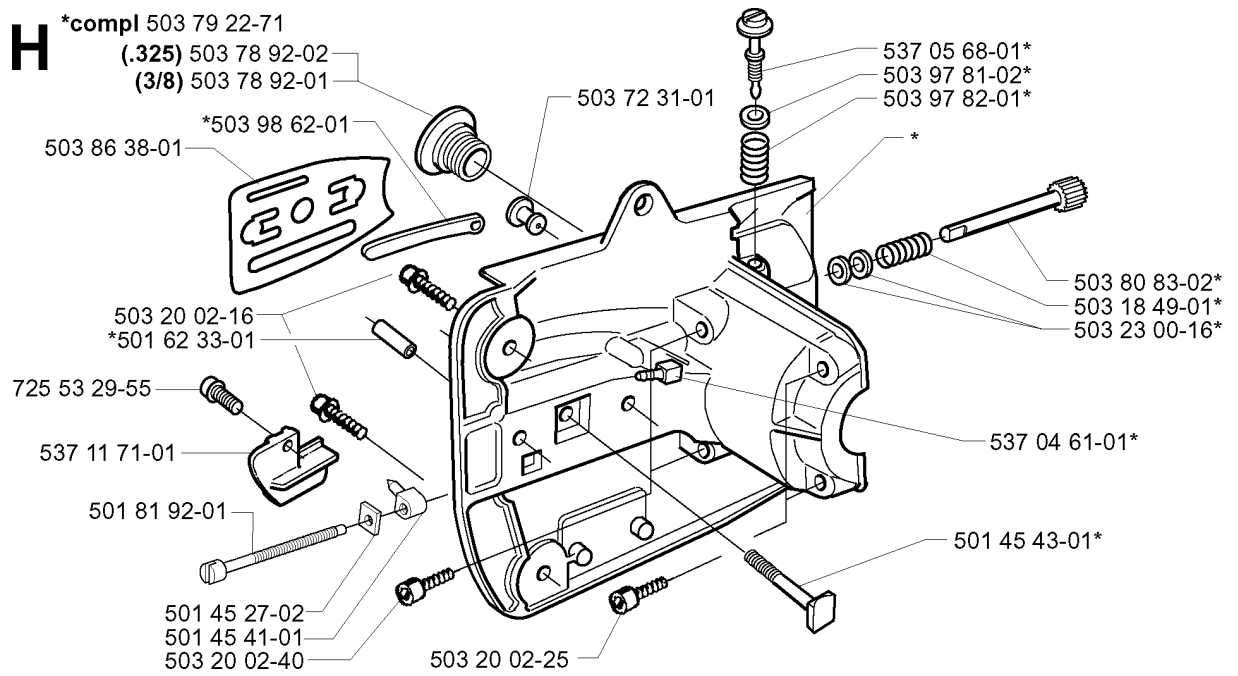


503 20 02-16 (x3)

MUFFLER

333, JAPAN, 2000-10

Part No	Description	Remark	QTY KIT
503 20 02-16	SCREW IHSCFM		3
503 93 03-02	MUFFLER ASSY		1

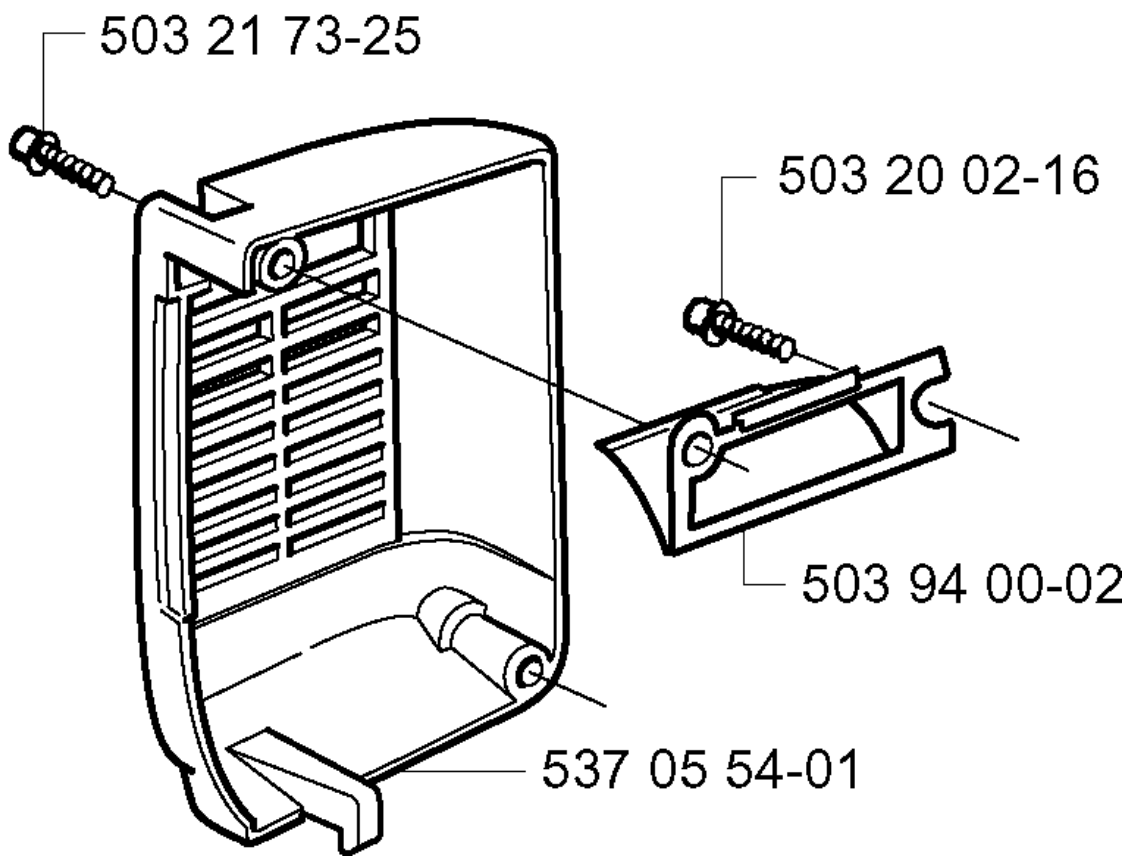


CRANKCASE

333, JAPAN, 2000-10

Part No	Description	Remark	QTY KIT
501 45 27-02	LOCK NUT		1
501 45 41-01	NUT		1
501 45 43-01	BAR BOLT		1
501 62 33-01	SPRING PIN		1
501 81 92-01	SCREW		1
503 18 49-01	SPRING		1
503 20 02-16	SCREW IHSCFM		1
503 20 02-25	SCREW IHSCFM		1
503 20 02-40	SCREW IHSCFM		1
503 23 00-16	WASHER		1
503 72 31-01	BUSHING		1
503 78 92-01	PUMP PINION	3/8	1
503 78 92-02	PUMP PINION	.325	1
503 79 22-71	CRANKCASE ASSY		1
503 80 83-02	PUMP PISTON		1
503 86 38-01	COVER PLATE		1
503 97 81-02	STOP WASHER		1
503 97 82-01	SPRING		1
503 98 62-01	SEALING		1
537 04 61-01	NIPPLE		1
537 05 68-01	ADJUSTER		1
537 11 71-01	CHAIN CATCHER		1
725 53 29-55	SCREW IHSCM		1

J



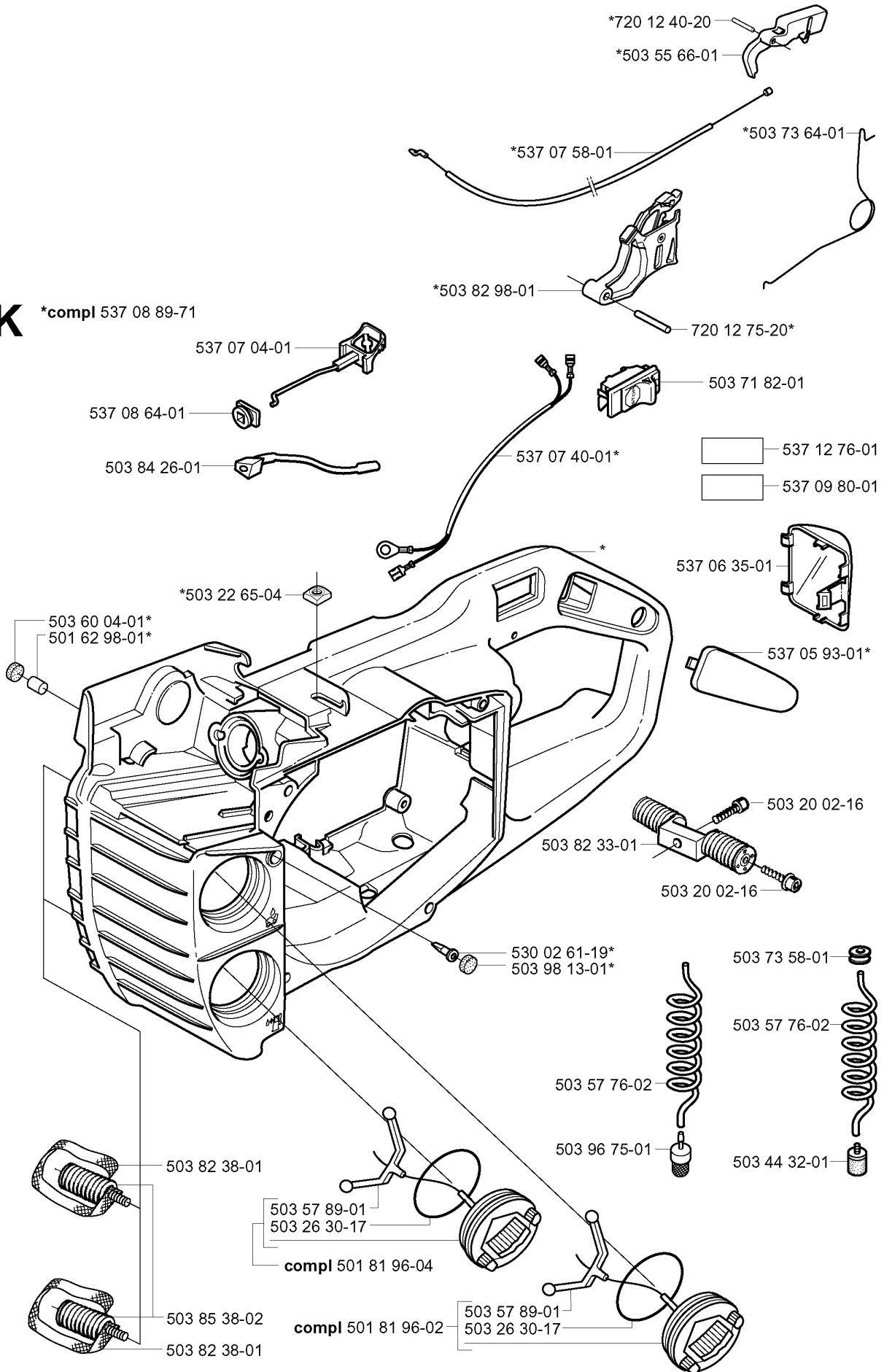
MUFFLER COVER

333, JAPAN, 2000-10

Part No	Description	Remark	QTY KIT
503 20 02-16	SCREW IHSCFM		1
503 21 73-25	SCREW CIHSCTO		1
503 94 00-02	EXHAUST DUCT		1
537 05 54-01	MUFFLER COVER		1

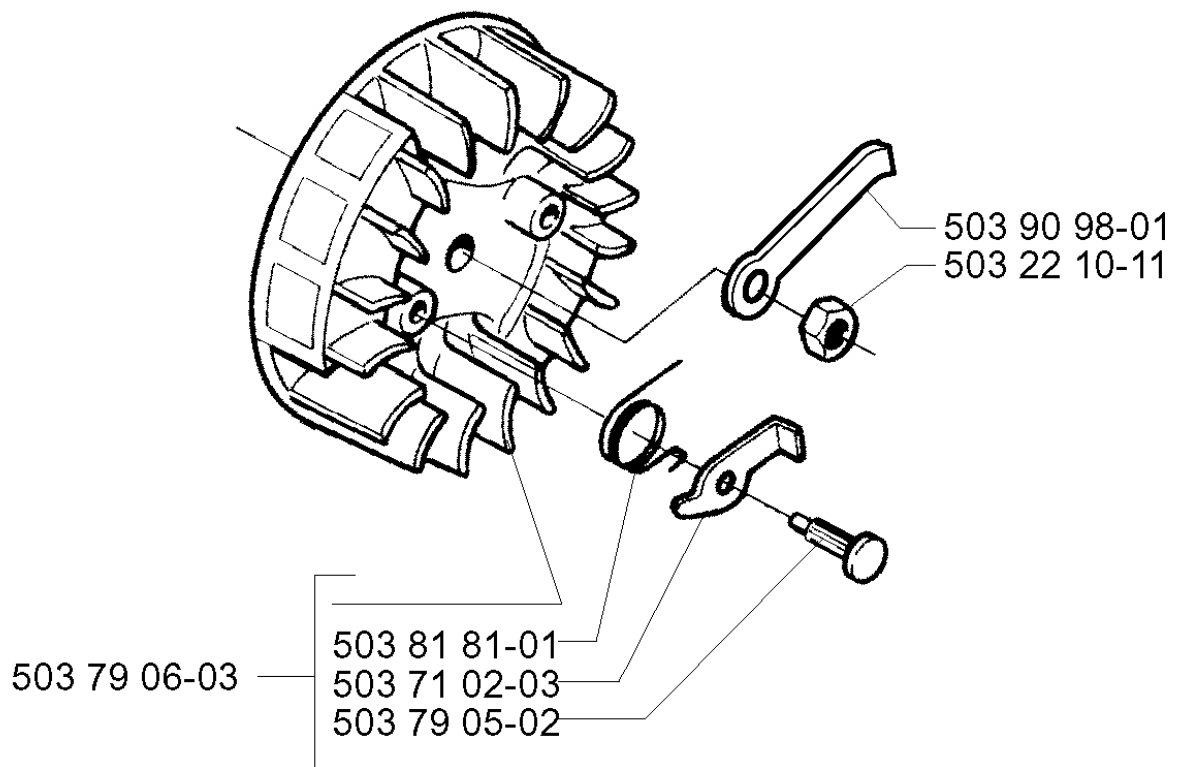
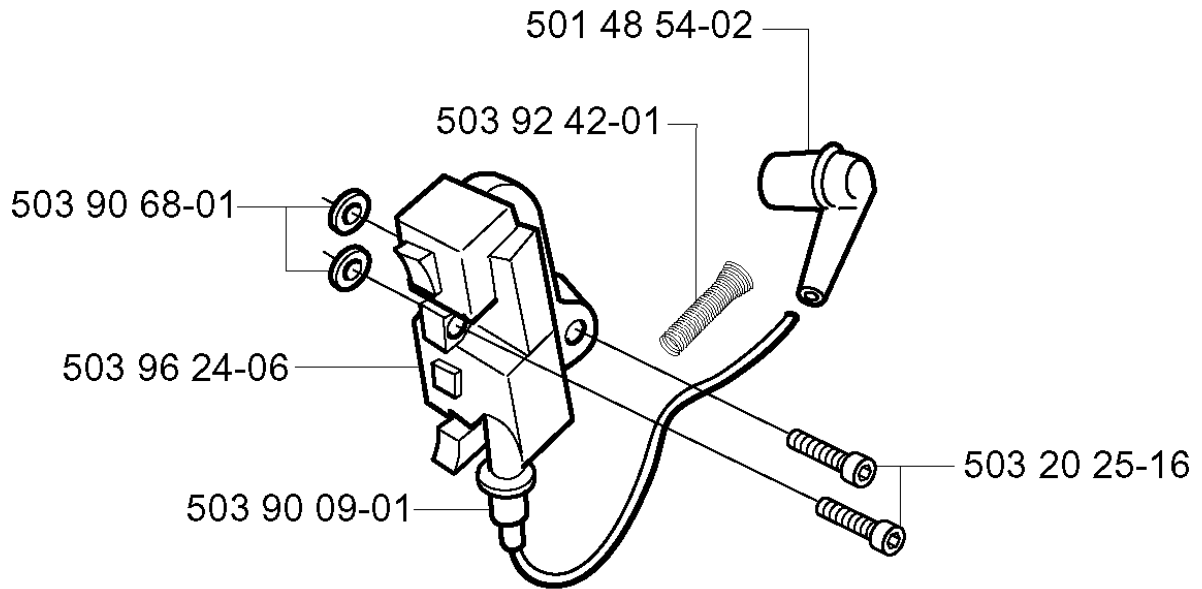
K

*compl 537 08 89-71



Part No	Description	Remark	QTY KIT
501 62 98-01	VALVE PLUG		1
501 81 96-02	TANK CAP ASSY		1
501 81 96-04	TANK CAP ASSY		1
503 20 02-16	SCREW IHSCFM		1
503 20 02-16	SCREW IHSCFM		1
503 22 65-04	SQUARE NUT		1
503 26 30-17	O-RING		1
503 26 30-17	O-RING		1
503 44 32-01	FUEL FILTER		1
503 55 66-01	THROTTLE LOCKOUT		1
503 57 76-02	FUEL HOSE		1
503 57 76-02	FUEL HOSE		1
503 57 89-01	HOLDER		1
503 57 89-01	HOLDER		1
503 60 04-01	FILTER PLUG		1
503 71 82-01	SWITCH		1
503 73 58-01	BUSHING		1
503 73 64-01	SPRING		1
503 82 33-01	ANTIVIBRATION ELEMENT		1
503 82 38-01	STRAP		1
503 82 38-01	STRAP		1
503 82 98-01	TRIGGER		1
503 84 26-01	IMPULSE HOSE		1
503 85 38-02	ANTIVIBRATION ELEMENT		1
503 96 75-01	OIL PLUMMET		1
503 98 13-01	PLUG		1
530 02 61-19	CHECK VALVE		1
537 05 93-01	HANDLE INSERT		1
537 06 35-01	SPARK PLUG COVER		1
537 07 04-01	CHOKE CONTROL		1
537 07 40-01	WIRING		1
537 07 58-01	THROTTLE WIRE ASSY		1
537 08 64-01	GROMMET		1
537 08 89-71	TANK UNIT ASSY		1
537 09 80-01	LABEL		1
537 12 76-01	LABEL		1
720 12 40-20	PARALLEL PIN		1
720 12 75-20	PARALLEL PIN		1

L

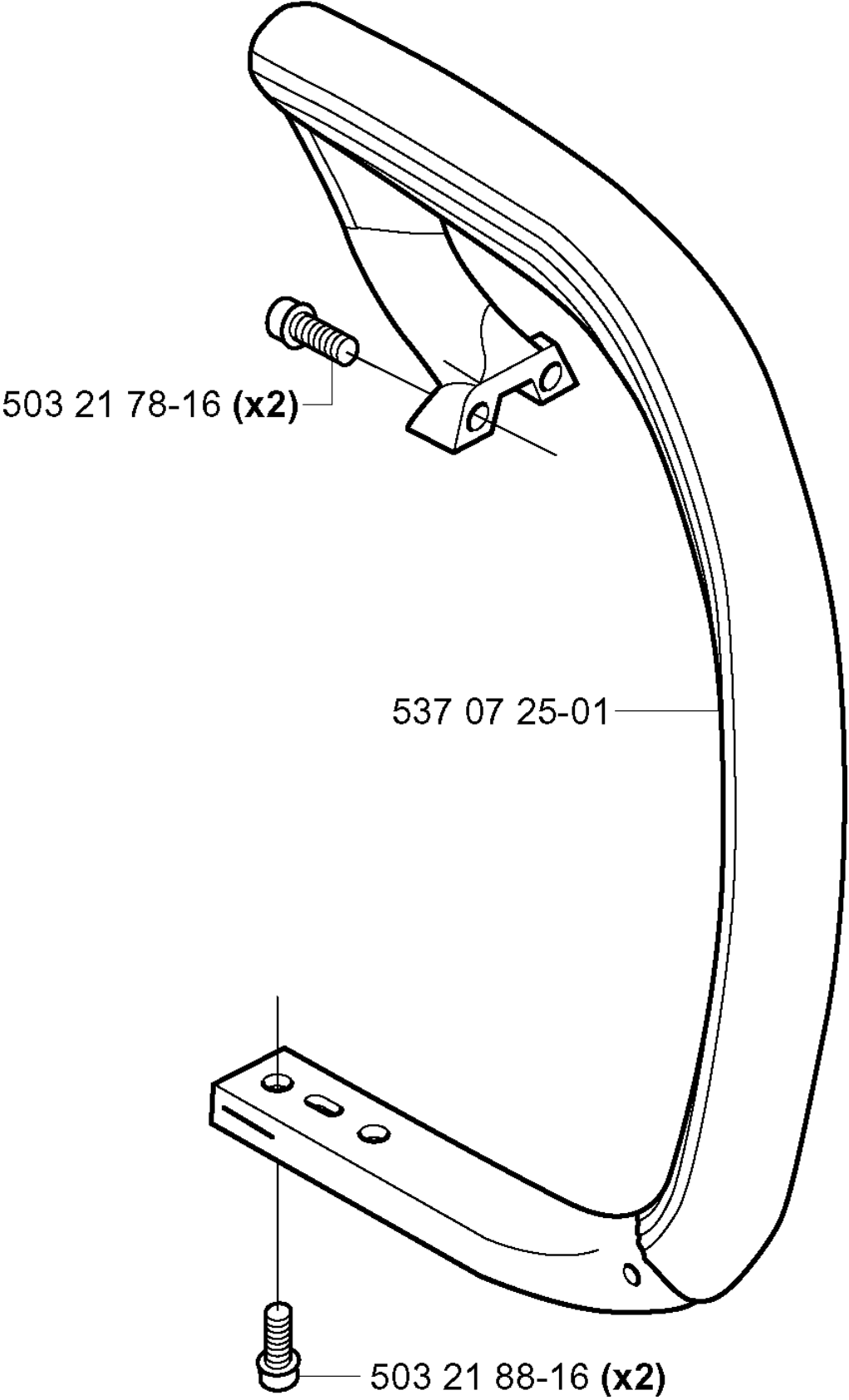


IGNITION SYSTEM

333, JAPAN, 2000-10

Part No	Description	Remark	QTY KIT
501 48 54-02	SPARK PLUG CAP		1
503 20 25-16	SCREW IHSCM		1
503 22 10-11	HEXAGON NUT		1
503 71 02-03	STARTER PAWL		1
503 79 05-02	RIVET		1
503 79 06-03	FLYWHEEL		1
503 81 81-01	SPRING		1
503 90 09-01	GUIDE		1
503 90 68-01	WASHER		1
503 90 98-01	COUNTERWEIGHT		1
503 92 42-01	CABLE COVER		1
503 96 24-06	ELECTRONIC MODULE		1

M

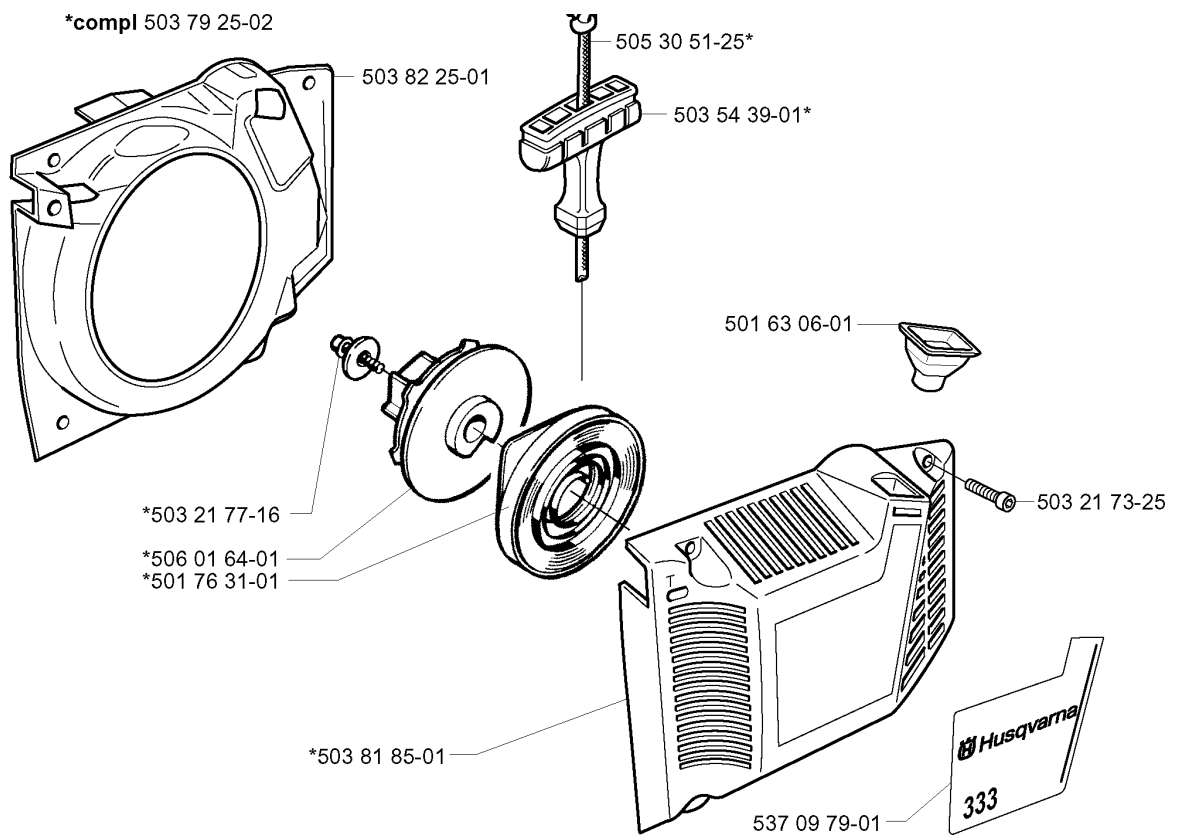


HANDLE

333, JAPAN, 2000-10

Part No	Description	Remark	QTY KIT
503 21 78-16	SCREW IHSCT		2
503 21 88-16	SCREW IHSCT		2
537 07 25-01	FRONT HANDLE		1

N



STARTER

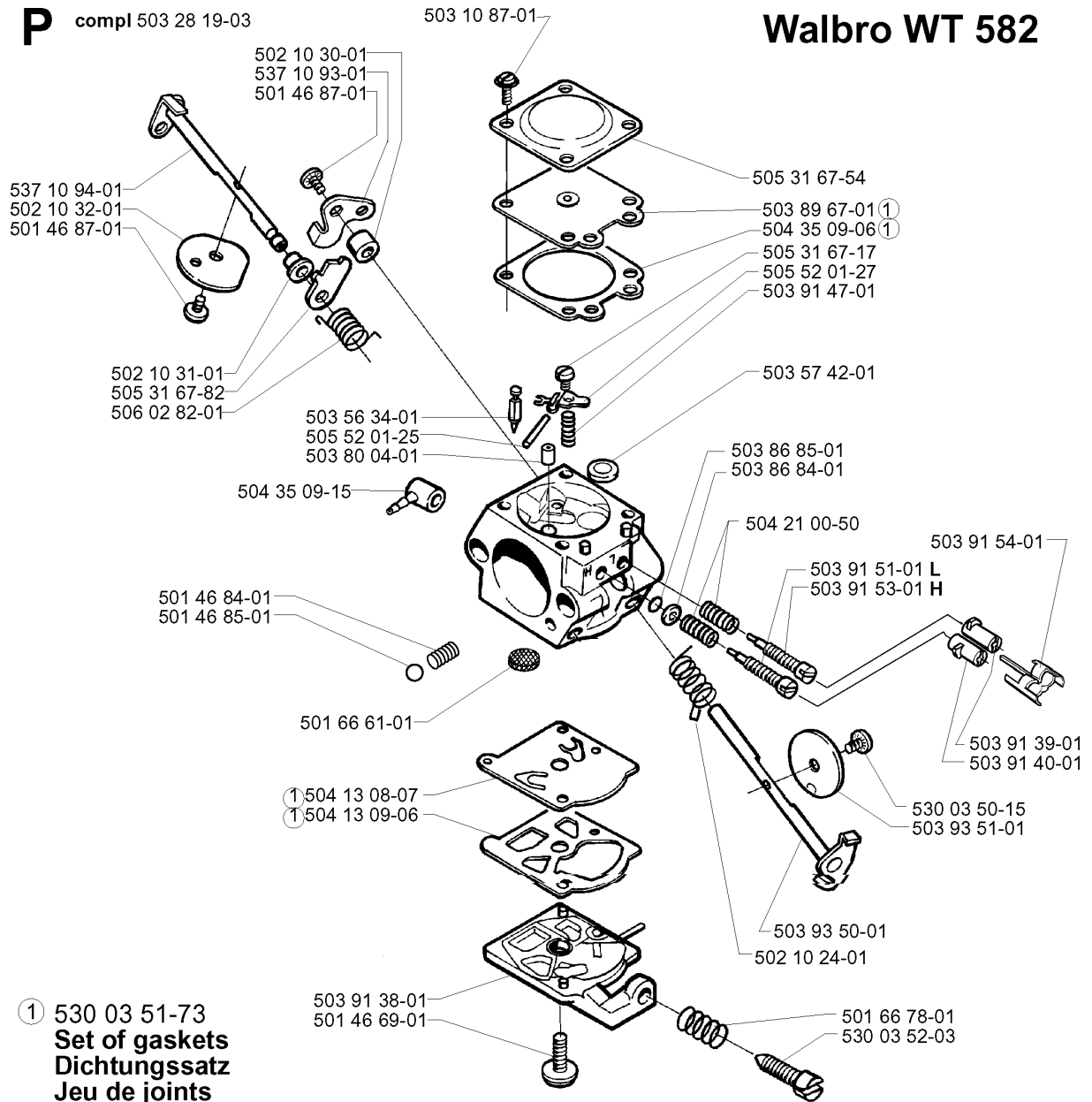
333, JAPAN, 2000-10

Part No	Description	Remark	QTY KIT
501 63 06-01	SLEEVE		1
501 76 31-01	SPRING CASSETTE ASSY		1
503 21 73-25	SCREW CIHSCTO		1
503 21 77-16	SCREW IHSCT		1
503 54 39-01	STARTER HANDLE		1
503 79 25-02	STARTER ASSY		1
503 81 85-01	STARTER HOUSING		1
503 82 25-01	BAR		1
505 30 51-25	STARTER CORD		1
506 01 64-01	STARTER PULLEY		1
537 09 79-01	LABEL		1

P

compl 503 28 19-03

Walbro WT 582



① 530 03 51-73
Set of gaskets
Dichtungssatz
Jeu de joints
Juego de juntas
Packningssats

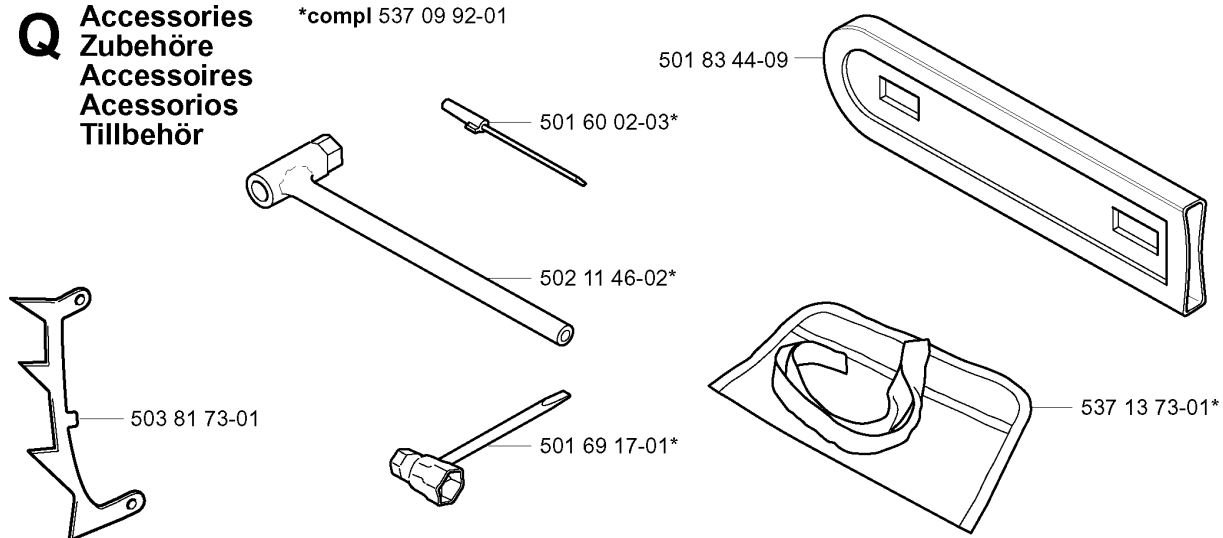
CARBURETOR DETAILS

333, JAPAN, 2000-10

Part No	Description	Remark	QTY KIT
501 46 69-01	SCREW		1
501 46 84-01	SPRING		1
501 46 85-01	BALL		1
501 46 87-01	SCREW		1
501 46 87-01	SCREW		1
501 66 61-01	SCREEN		1
501 66 78-01	SPRING		1
502 10 24-01	SPRING		1
502 10 30-01	DISTANCE		1
502 10 31-01	BUSHING		1
502 10 32-01	CHOKE SKIVA		1
503 10 87-01	SCREW		1
503 28 19-03	CARBURETTOR		1
503 56 34-01	NEEDLE VALVE		1
503 57 42-01	PLUG		1
503 80 04-01	NOZZLE		1
503 86 84-01	WASHER		1
503 86 85-01	O-RING		1
503 89 67-01	DIAPHRAGM	530 03 51-73 SET OF GASKETS	1
503 91 38-01	COVER		1
503 91 39-01	LIMITER CAP		1
503 91 40-01	LIMITER CAP		1
503 91 47-01	SPRING		1
503 91 51-01	NEEDLE	L	1
503 91 53-01	NEEDLE	H	1
503 91 54-01	RETAINER		1
503 93 50-01	SHAFT ASSY		1
503 93 51-01	VALVE		1
504 13 08-07	DIAPHRAGM PUMP	530 03 51-73 SET OF GASKETS	1
504 13 09-06	GASKET	530 03 51-73 SET OF GASKETS	1
504 21 00-50	SPRING		1
504 35 09-06	GASKET	530 03 51-73 SET OF GASKETS	1
504 35 09-15	FITTING		1
505 31 67-17	SCREW		1
505 31 67-54	LOCK STYRMEMBRAN		1
505 31 67-82	LEVER		1
505 52 01-25	PIN		1
505 52 01-27	LEVER		1
506 02 82-01	SPRING		1
530 03 50-15	SCREW		1
530 03 51-73	GASKET SET		1
530 03 52-03	SCREW		1
537 10 93-01	LEVER		1
537 10 94-01	SHAFT ASSY		1

Q Accessories
Zubehöre
Accessoires
Acessorios
Tillbehör

*compl 537 09 92-01



ACCESSORIES

333, JAPAN, 2000-10

Part No	Description	Remark	QTY KIT
501 60 02-03	SCREWDRIVER		1
501 69 17-01	COMBINATION WRENCH		1
501 83 44-09	BAR COVER		1
502 11 46-02	SOCKET WRENCH		1
503 81 73-01	SPIKE		1
537 09 92-01	TOOL KIT		1
537 13 73-01	TOOL CASING		1