

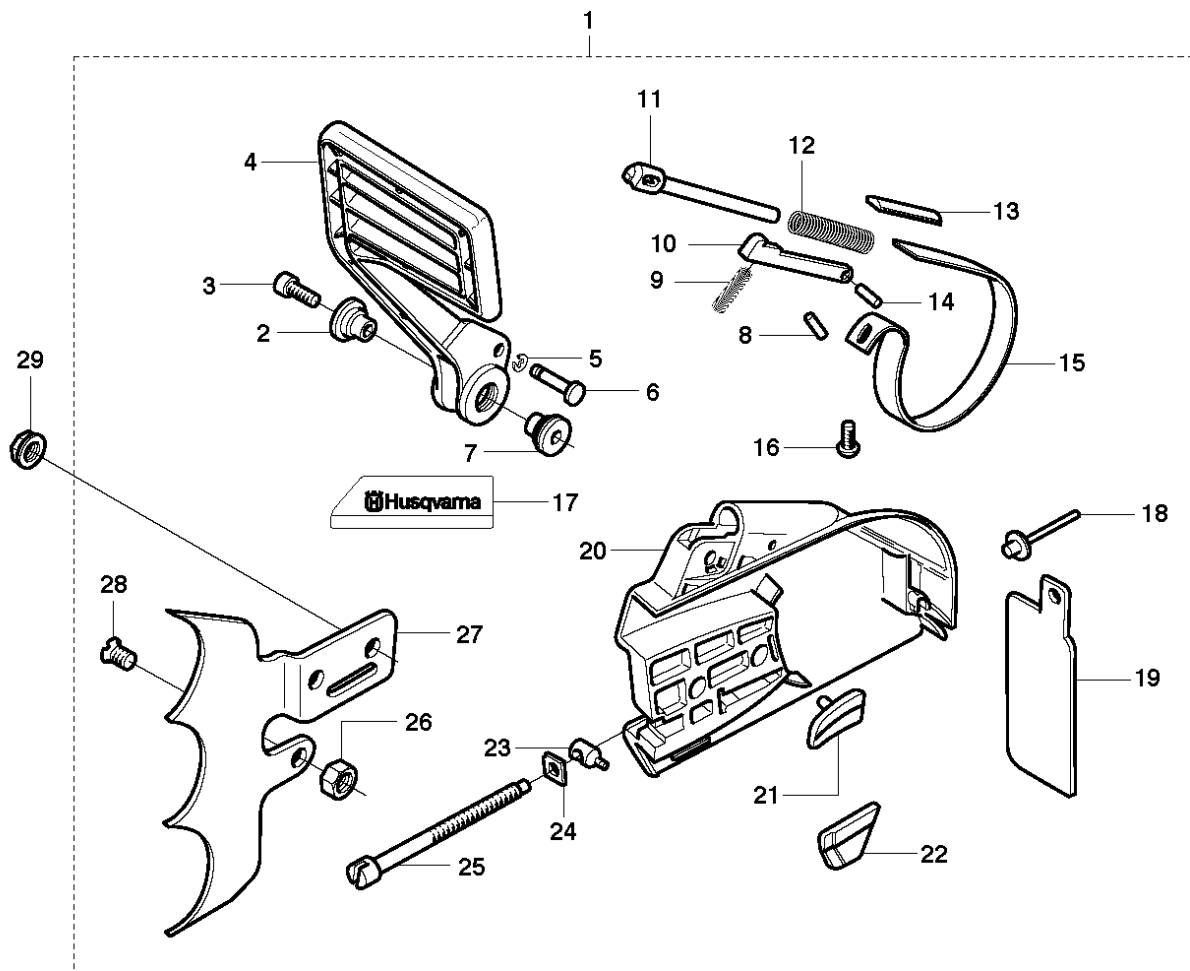


SPARE PARTS LIST

CHAIN SAWS

3120 XP, 3120 XP EPA,
20182200001-Current

A 3120
CHAIN BRAKE & CLUTCH COVER

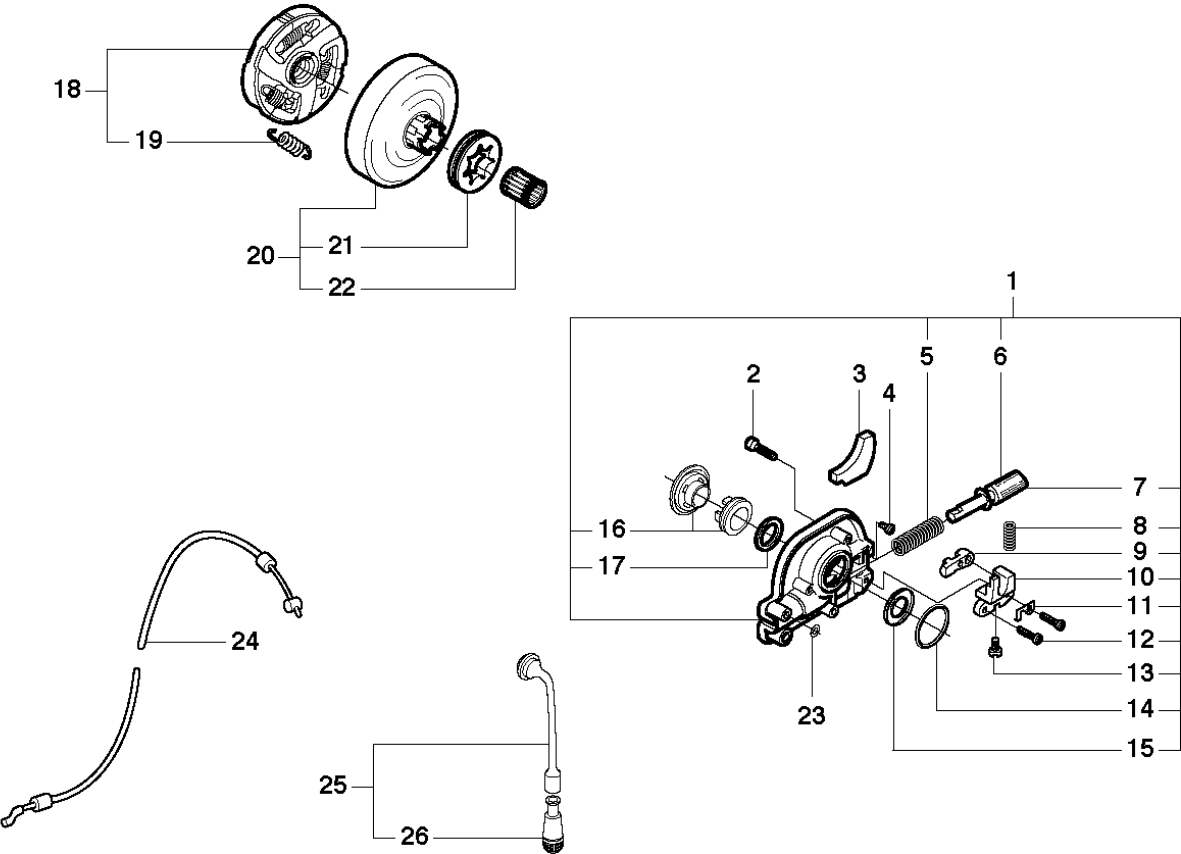


CHAIN BRAKE & CLUTCH COVER

3120 XP, 3120 XP EPA, 20182200001-Current

Ref	Part No	Description	Remark	QTY	KIT
1	503 13 55-03	CLUTCH COVER ASSY		1	
2	503 52 08-01	SHAFT		1	1
3	503 20 26-20	SCREW IHSCM		1	1
4	503 13 67-03	HAND GUARD		1	1
5	735 31 08-20	E-CLIP		1	1
6	503 80 27-01	PIVOT PIN		1	1
7	501 76 80-01	SHAFT		1	1
8	721 42 56-50	SPRING PIN		1	1
9	501 48 09-01	LOCKING SPRING		1	1
10	503 13 69-01	LATCH		1	1
11	503 13 68-01	PULL ROD		1	1
12	503 13 79-01	BRAKE SPRING		1	1
13	503 13 80-01	GUIDE		1	1
14	721 42 52-50	SPRING PIN		1	1
15	503 13 78-02	BRAKE BAND		1	1
16	503 21 42-13	SCREW CCRPANT		1	1
17	503 62 42-01	DECAL		1	1
18	722 78 29-02	BLIND RIVET		1	1
19	503 13 81-01	CHIP GUARD		1	1
20	503 13 56-01	CLUTCH COVER		1	1
21	503 14 12-01	CHAIN GUIDE		1	1
22	503 14 13-01	CHAIN GUIDE		1	1
23	505 26 76-50	PAWL		1	1
24	501 24 81-01	LOCK NUT		1	1
25	503 13 57-01	SCREW		1	1
26	503 22 24-02	LOCK NUT		1	1
27	503 14 04-01	SPIKE		1	1
28	725 63 67-56	SCREW IHCSFM		1	1
29	503 22 00-01	HEXAGON NUT		2	

B 3120
CLUTCH & OIL PUMP

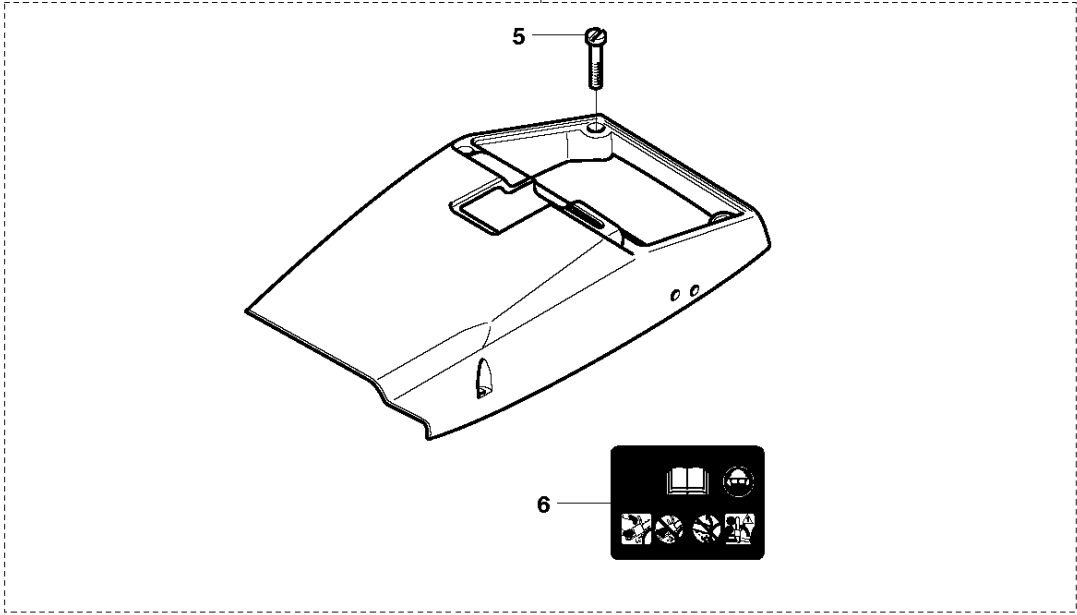
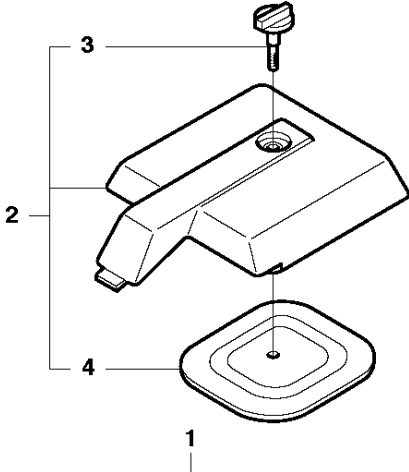


CLUTCH & OIL PUMP

3120 XP, 3120 XP EPA, 20182200001-Current

Ref	Part No	Description	Remark	QTY KIT	
1	501 89 70-71	OIL PUMP ASSY		1	
2	725 52 95-56	SCREW IHSCM		3	
3	503 13 99-01	SEALING		1	
4	723 22 84-85	SCREW SLPANM		1	
5	501 89 78-01	RECOIL SPRING		1	1
6	503 23 00-45	WASHER		2	1
7	503 13 84-01	PUMP PISTON		1	1
8	501 89 37-02	SPRING		1	1
9	503 13 37-01	LEVER		1	1
10	501 89 75-01	BRACKET		1	1
11	501 89 36-01	LOCKING SPRING		1	1
12	723 12 91-51	SCREW SLCHM		2	1
13	501 89 76-01	ADJUSTMENT SCREW		1	1
14	740 42 22-00	O-RING		1	1
15	503 26 02-05	SEALING RING		1	1
16	503 89 62-01	GEAR WHEEL ASSY		1	1
17	503 23 00-58	WASHER		1	1
18	503 14 49-01	CLUTCH ASSY		1	
19	503 14 51-01	CLUTCH SPRING		3	18
20	503 14 32-04	CLUTCH DRUM ASSY	.404x7	1	
21	501 59 79-02	RIM		1	20
22	503 25 30-01	NEEDLE BEARING		1	20
23	740 43 01-00	O-RING		1	
24	501 89 87-02	CABLE ASSY		1	
25	501 89 33-01	OIL HOSE		1	
26	501 54 41-02	OIL SCREEN		1	25

C 3120
CYLINDER COVER

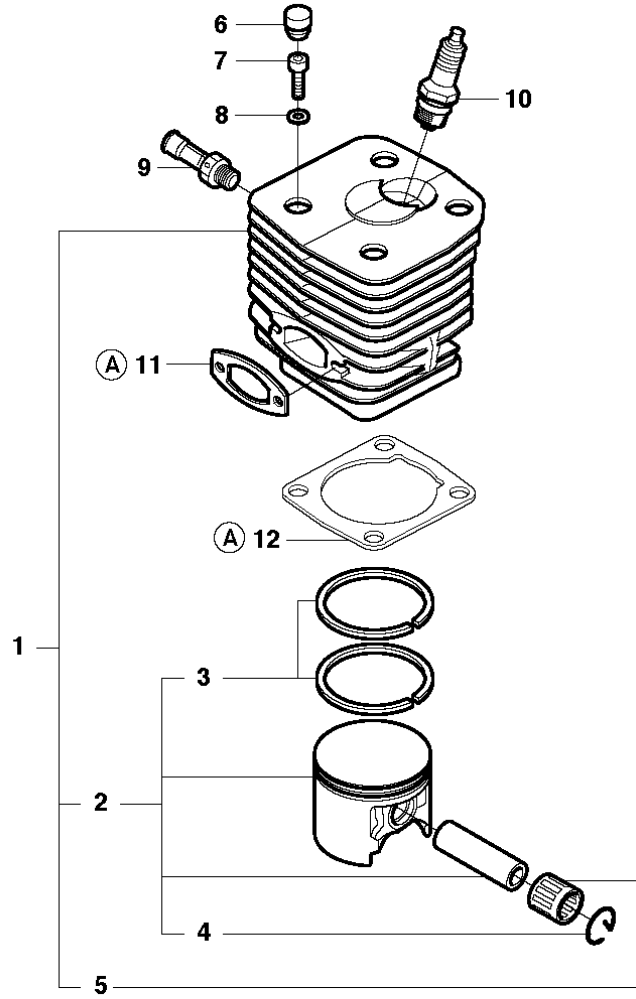


CYLINDER COVER

3120 XP, 3120 XP EPA, 20182200001-Current

Ref	Part No	Description	Remark	QTY	KIT
1	501 89 44-02	CYLINDER COVER ASSY		1	
2	501 89 47-02	FILTER COVER ASSY		1	1
3	501 89 96-03	KNOB		1	2
4	503 14 09-01	FILTER COVER		1	2
5	503 20 32-28	SCREW		4	1
6	503 98 74-01	LABEL		1	1

D 3120
CYLINDER PISTON



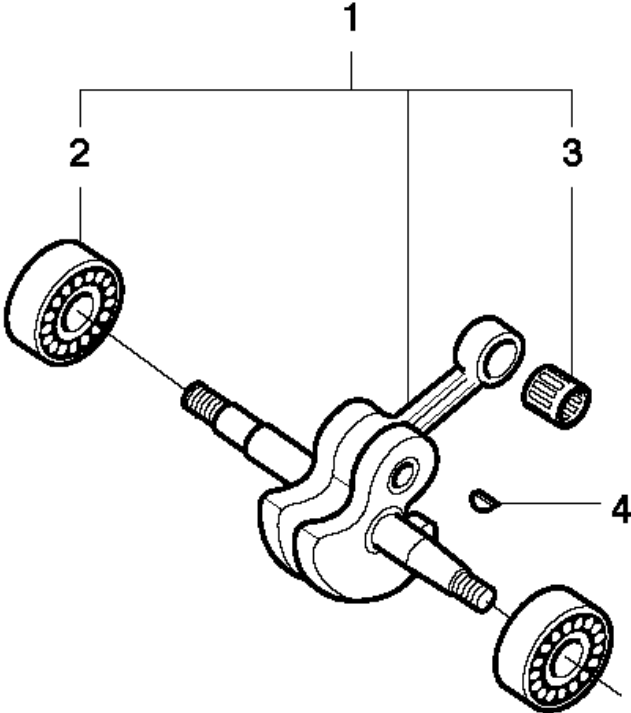
13
Ⓐ 503 14 25-01
Set of gaskets

CYLINDER PISTON

3120 XP, 3120 XP EPA, 20182200001-Current

Ref	Part No	Description	Remark	QTY	KIT
1	576 27 00-03	CYLINDER ASSY		1	
2	501 89 41-03	PISTON ASSY		1	1
3	503 28 90-26	PISTON RING		2	1
4	737 44 13-00	CIRCLIP		2	1
5	503 13 29-01	NEEDLE HOLDER		1	1
6	501 51 54-01	SUPPORT		1	
7	503 21 60-25	SCREW		4	
8	503 23 00-05	WASHER		4	
9	503 66 56-01	DECOMPRESSION VALVE		1	
10	503 23 51-08	SPARK PLUG	RCJ 7Y	1	
11	503 13 13-01	GASKET		1	13
12	503 13 46-01	GASKET		1	13
13	503 14 25-01	GASKET KIT	Set of gaskets	1	

E 3120
CRANKSHAFT



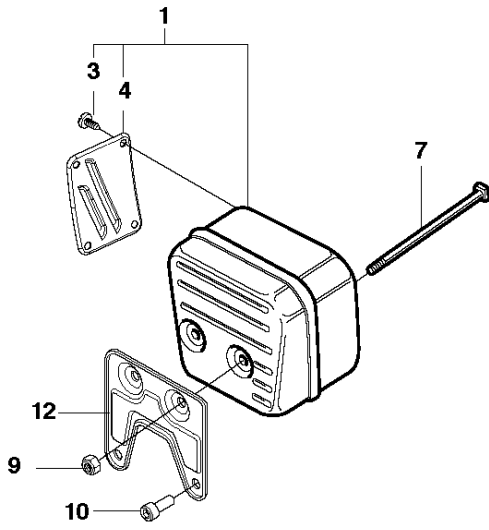
CRANKSHAFT

3120 XP, 3120 XP EPA, 20182200001-Current

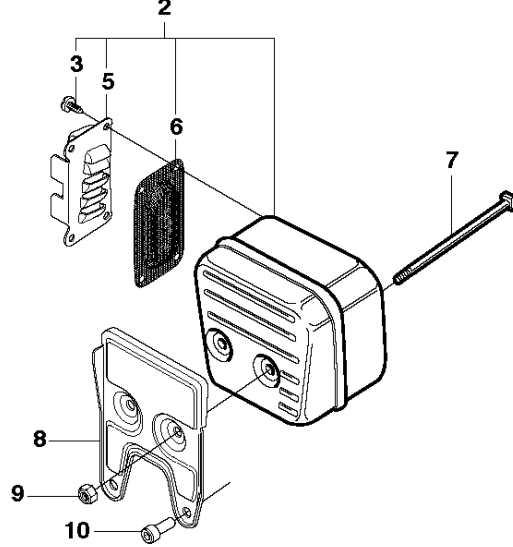
Ref	Part No	Description	Remark	QTY	KIT
1	503 14 20-03	CRANKSHAFT ASSY		1	
2	503 25 00-02	BALL BEARING		2	1
3	503 13 29-01	NEEDLE HOLDER		1	1
4	735 88 06-00	WOODRUFF KEY		1	

F 3120
MUFFLER

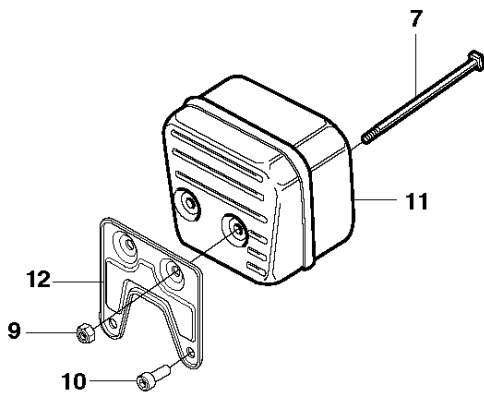
EU up to - 20115099999



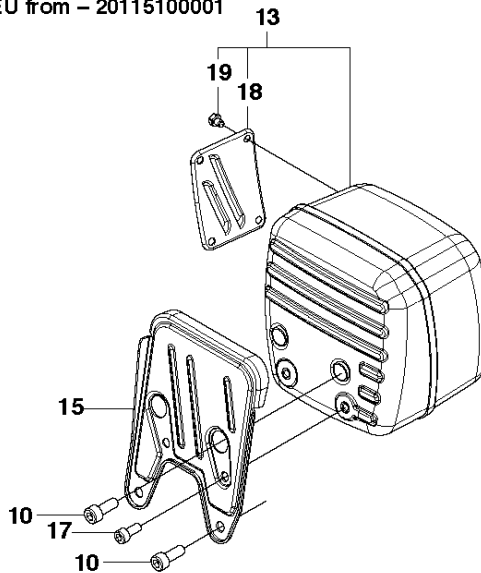
FF, Us, Au up to - 20115099999



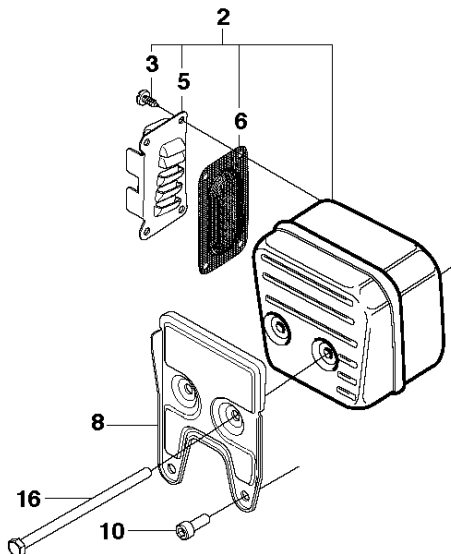
DJ up to - 20115099999



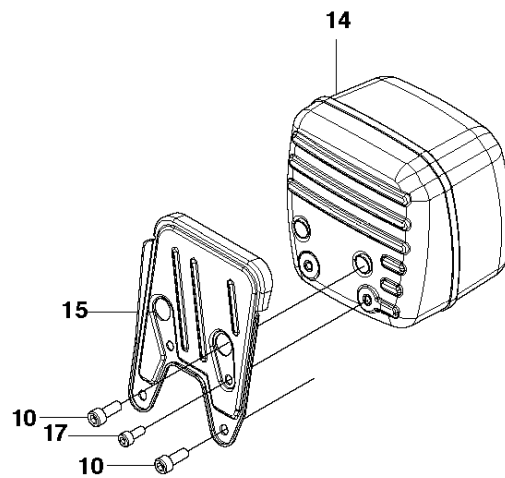
EU from - 20115100001



FF, Us, Au from - 20115100001



DJ from - 20115100001

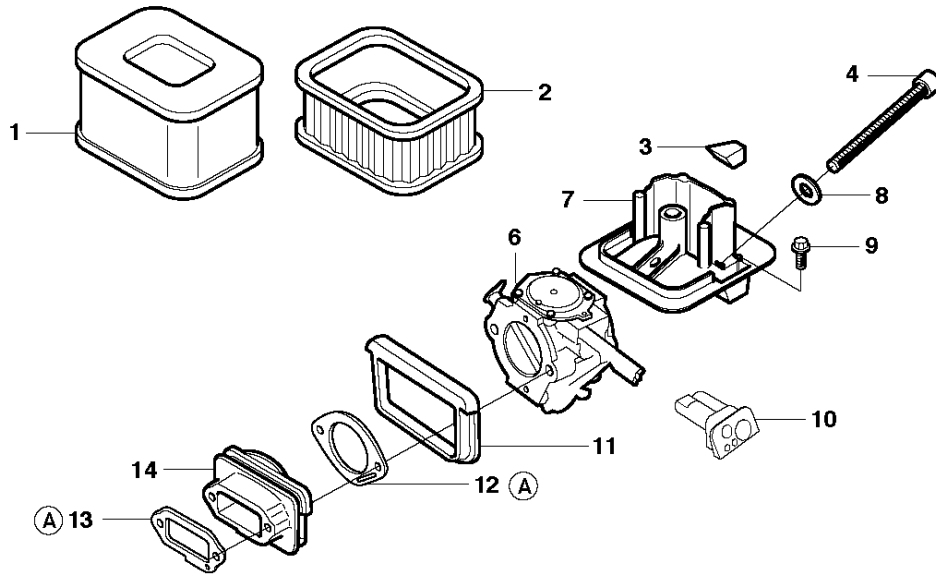


MUFFLER

3120 XP, 3120 XP EPA, 20182200001-Current

Ref	Part No	Description	Remark	QTY	KIT
1	503 13 00-03	MUFFLER ASSY	EU up to - 20115099999	1	
2	503 83 65-02	MUFFLER	FF, US, AU up to 20115099999	1	
3	729 53 40-01	SCREW CCRPANT		4	1,2
4	503 13 08-01	EXHAUST DUCT	EU	1	1
5	503 83 68-01	EXHAUST DUCT	FF, US, AU	1	2
6	503 13 12-01	SCREEN	FF, US, AU	1	2
7	503 21 85-01	SCREW	up to - 20115099999	2	
8	503 14 01-01	SUPPORT	FF, US, AU	1	
9	503 22 24-02	LOCK NUT		2	
10	725 53 68-55	SCREW IHSCM		2	
11	503 14 30-02	MUFFLER ASSY	DJ up to - 20115099999	1	
12	503 13 53-01	SUPPORT	up to - 20115099999	1	
13	505 41 79-04	MUFFLER ASSY	EU From - 20115100001	1	
14	505 41 79-02	MUFFLER ASSY	DJ From - 20115100001	1	
15	505 42 01-01	SUPPORT	EU, DJ From - 20115100001	1	
16	579 09 16-01	SCREW EHHM	FF, US, AU From - 20115100001	2	
17	725 53 27-55	SCREW IHSCM	EU, DJ From - 20115100001	2	
18	505 50 69-01	EXHAUST DUCT	EU From - 20115100001	1	13
19	574 56 04-01	SCREW EHHM	EU From - 20115100001	4	13

G 3120
CARBURETTOR & AIR FILTER



15

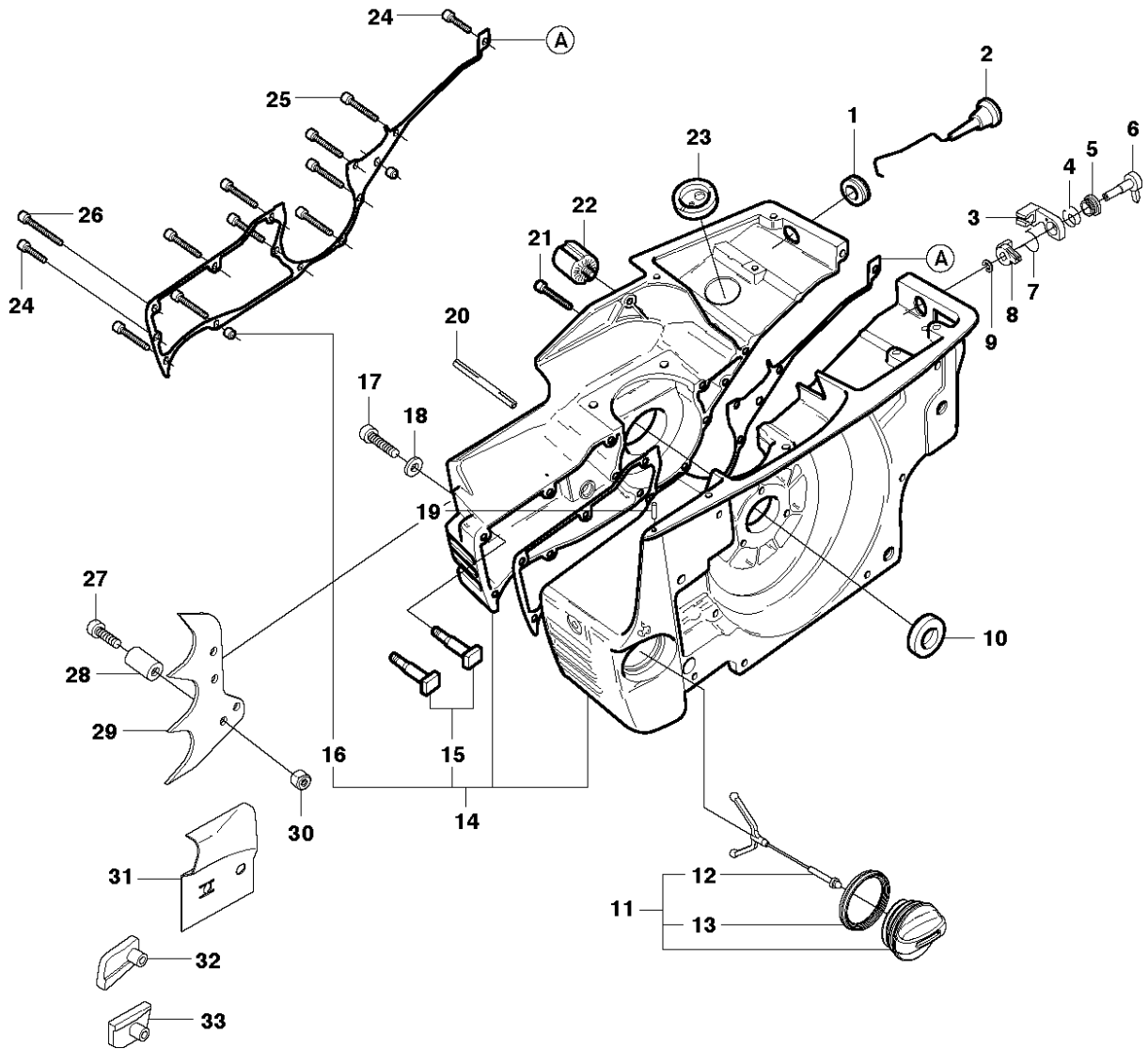
Ⓐ 503 14 25-01
Set of gaskets

CARBURETOR & AIR FILTER

3120 XP, 3120 XP EPA, 20182200001-Current

Ref	Part No	Description	Remark	QTY	KIT
1	503 14 18-02	AIR FILTER	FOAM	1	
2	503 89 53-01	AIR FILTER	FELT, WG 7A, EPA	1	
3	503 14 47-01	FILLER		1	
4	503 20 21-97	SCREW IHSCM		2	
6	503 28 20-01	CARBURETTOR	WG10	1	
6	503 28 12-16	CARBURETTOR	WG 7A, EPA	1	
7	501 89 90-02	FILTER HOLDER ASSY		1	
8	734 11 46-01	WASHER		2	
9	503 20 03-20	SCREW IHSCFM		2	
10	503 68 92-01	GUIDE BUSHING		1	
11	503 14 37-01	SEALING		1	
12	503 13 47-01	GASKET		1	15
13	503 13 48-01	GASKET		1	15
14	501 89 48-01	INLET PIPE		1	
15	503 14 25-01	GASKET KIT	Set of gaskets	1	

H 3120
CRANKCASE



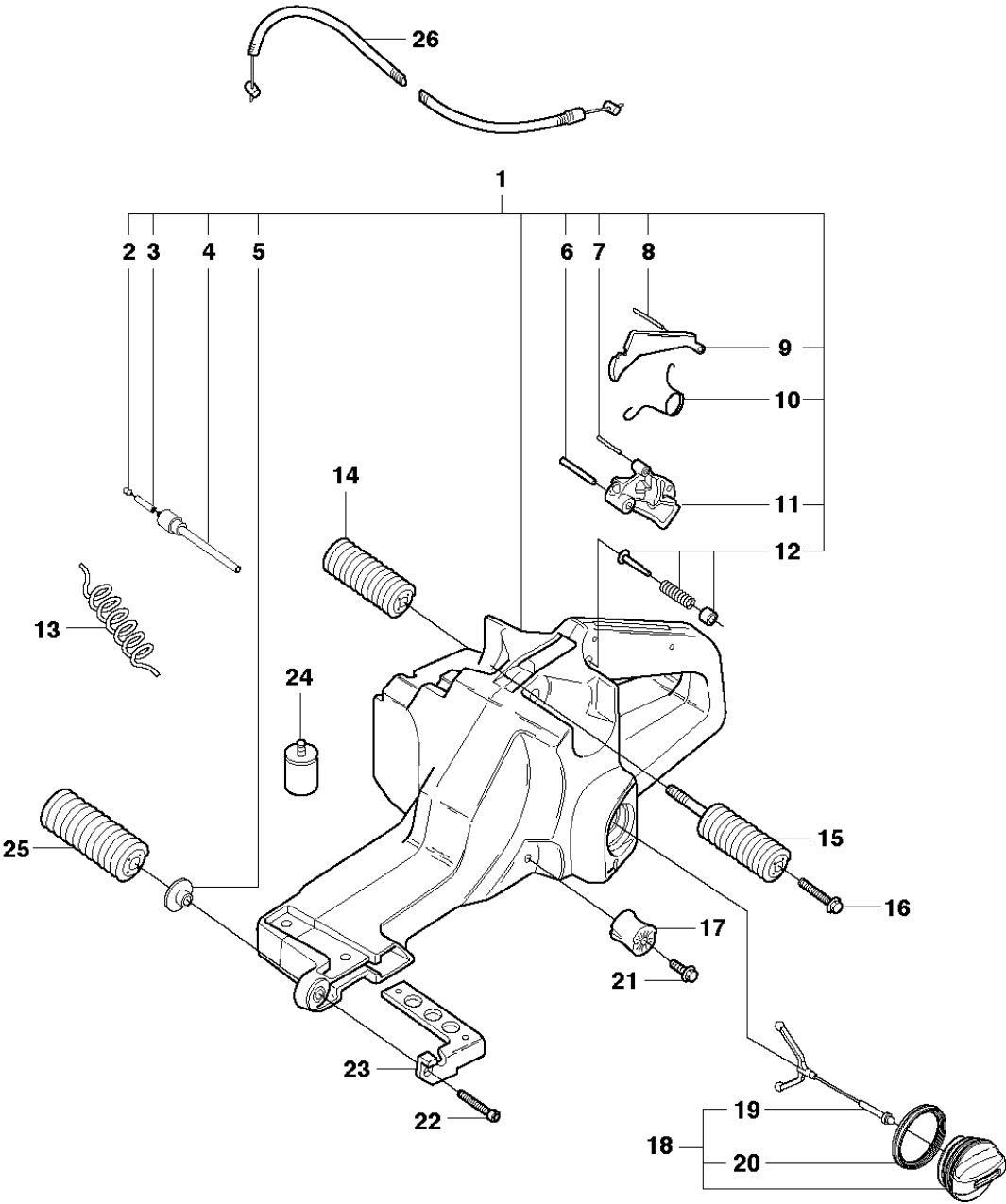
34
Ⓐ 503 14 25-01
Set of gaskets

CRANKCASE

3120 XP, 3120 XP EPA, 20182200001-Current

Ref	Part No	Description	Remark	QTY	KIT
1	503 14 54-02	GROMMET		1	
2	503 14 52-02	CHOKE CONTROL ASSY		1	
3	501 89 83-01	BRACKET		1	
4	503 14 00-01	SPRING		1	
5	501 89 86-01	SCREW		1	
6	501 89 84-02	KNOB		1	
7	501 89 85-01	SPRING		1	
8	503 13 82-01	DRAW LEVER		1	
9	735 31 09-20	E-CLIP		1	
10	503 26 02-05	SEALING RING		1	
11	537 21 52-07	TANK CAP ASSY		1	
12	503 57 89-03	HOLDER		1	11
13	589 24 11-01	GASKET		1	11
14	501 89 25-01	CRANKCASE		1	
15	501 81 57-01	BAR BOLT		2	14
16	501 27 08-01	GUIDE BUSHING		2	14
17	725 53 33-55	SCREW IHSCM		1	
18	734 11 46-01	WASHER		1	
19	501 46 24-01	GROOVED PIN		1	
20	503 13 43-01	TANK VENT		1	
21	725 53 70-55	SCREW IHSCM		1	
22	501 26 97-05	ANTIVIBRATION ELEMENT		1	
23	503 13 20-01	GROMMET		1	
24	725 53 31-55	SCREW IHSCM		2	
25	725 53 39-55	SCREW IHSCM		10	
26	725 53 43-55	SCREW IHSCM		1	
27	725 53 27-55	SCREW IHSCM		1	
28	503 44 78-01	SLEEVE		1	
29	503 13 92-01	SPIKE		1	
30	503 22 24-01	LOCK NUT		1	
31	503 14 26-01	PROTECTIVE PLATE		1	
32	503 14 14-01	CHAIN GUIDE		1	
33	503 14 15-01	CHAIN GUIDE		1	
34	503 14 25-01	GASKET KIT	Set of gaskets	1	

J 3120
FUEL TANK

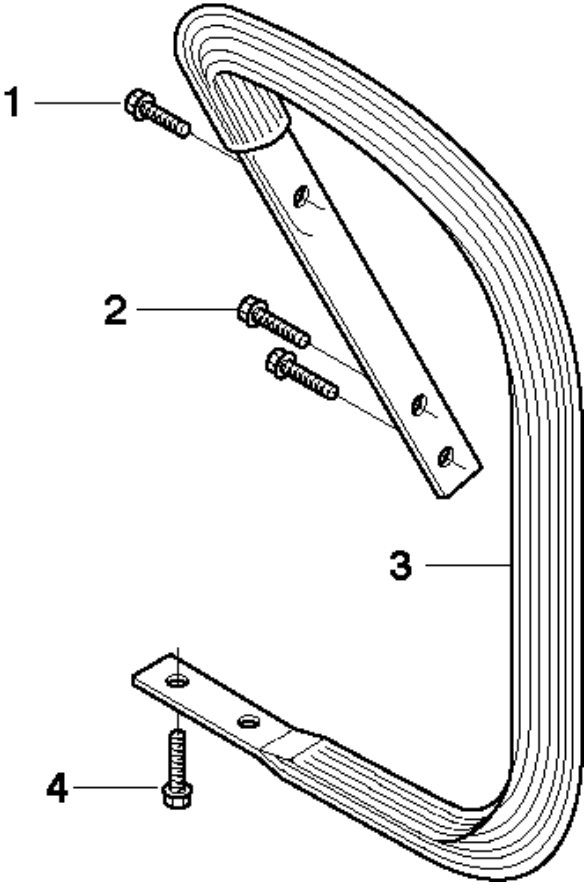


FUEL TANK

3120 XP, 3120 XP EPA, 20182200001-Current

Ref	Part No	Description	Remark	QTY	KIT
1	503 14 21-05	TANK UNIT ASSY		1	
2	504 35 72-01	PLUG		1	1
3	581 75 61-05	FUEL HOSE		1	1
4	506 29 39-01	TANK VENT		1	1
5	503 14 08-01	BUSHING		1	1
6	720 12 78-06	PARALLEL PIN		1	1
7	720 12 40-20	PARALLEL PIN		1	1
8	720 12 40-20	PARALLEL PIN		1	1
9	503 13 16-02	THROTTLE LOCKOUT		1	1
10	503 13 18-01	SPRING		1	1
11	503 13 36-02	THROTTLE CONTROL ASSY		1	1
12	503 14 23-01	PIN		1	1
13	581 75 62-02	FUEL HOSE		1	
14	503 13 26-01	ANTIVIBRATION ELEMENT		1	
15	503 13 25-01	ANTIVIBRATION ELEMENT		1	
16	725 53 68-55	SCREW IHSCM		2	
17	501 81 47-01	ANTIVIBRATION ELEMENT	Std.	1	
17	501 81 47-02	ANTIVIBRATION ELEMENT	Hard	1	
18	537 21 52-07	TANK CAP ASSY		1	
19	503 57 89-03	HOLDER		1	18
20	537 21 50-01	SEALING		1	18
21	725 53 27-55	SCREW IHSCM		1	
22	725 53 35-55	SCREW IHSCM		1	
23	503 14 05-01	BRACKET		1	
24	503 51 71-01	FUEL FILTER		1	
25	503 13 27-01	ANTIVIBRATION ELEMENT		1	
26	503 14 55-01	THROTTLE CABLE ASSY		1	

K 3120
HANDLE

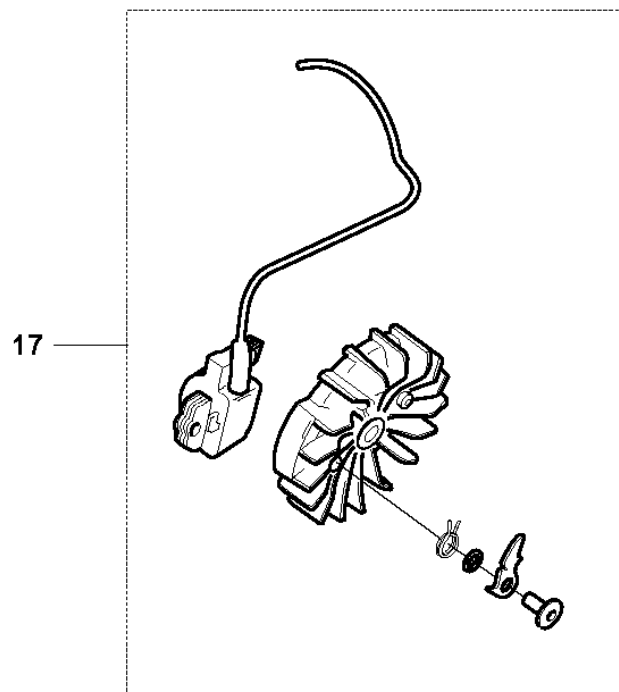
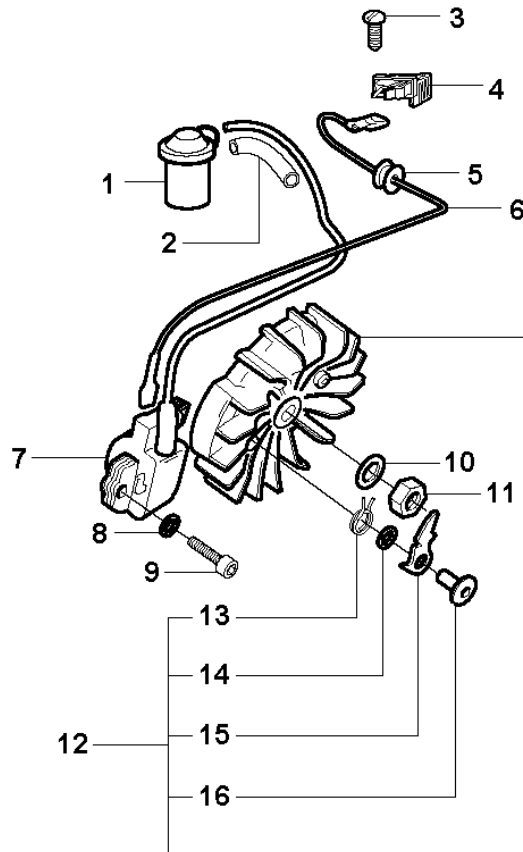


HANDLE

3120 XP, 3120 XP EPA, 20182200001-Current

Ref	Part No	Description	Remark	QTY KIT
1	503 20 07-70	SCREW IHSCFM		1
2	503 21 05-22	SCREW IHST		2
3	501 89 34-02	FRONT HANDLE ASSY		1
4	725 53 71-01	SCREW		2

L 3120
IGNITION SYSTEM

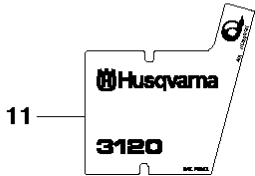
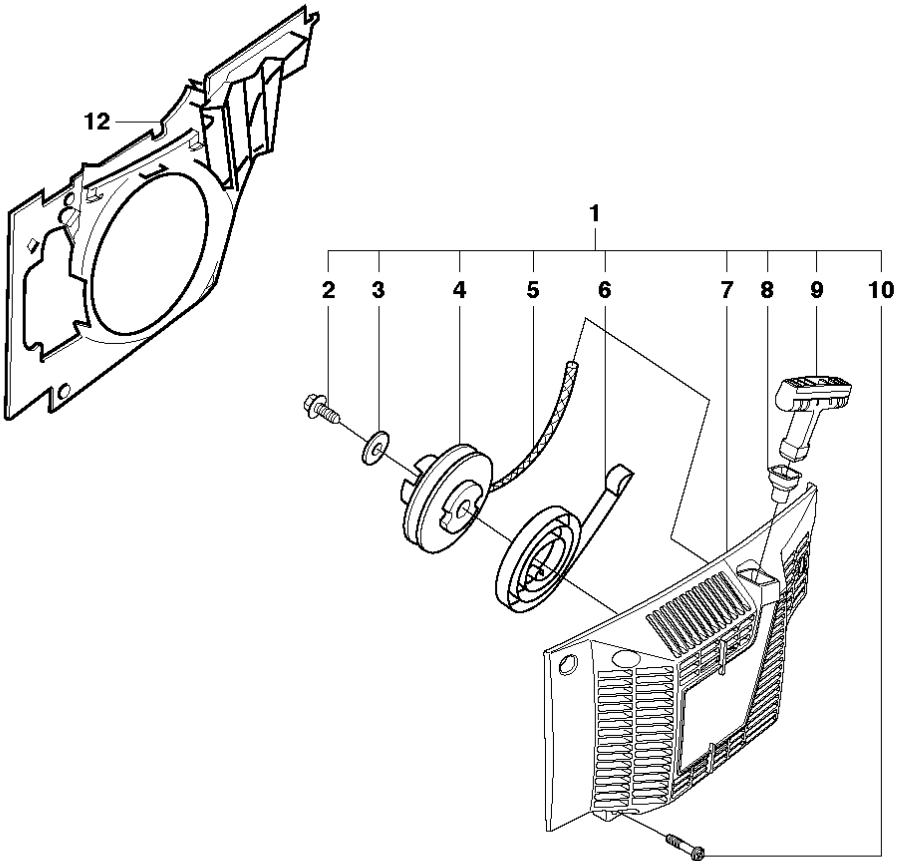


IGNITION SYSTEM

3120 XP, 3120 XP EPA, 20182200001-Current

Ref	Part No	Description	Remark	QTY	KIT
1	501 48 54-02	SPARK PLUG CAP		1	
2	501 52 74-06	RUBBER HOSE		1	
3	723 22 84-85	SCREW SLPANM		1	
4	503 71 79-01	STOP SWITCH		1	
5	503 13 24-01	CABLE GROMMET		1	
6	501 83 98-03	CABLE		1	
7	587 32 94-01	IGNITION MODULE	(cut-out 9800 rpm)	1	17
8	503 23 00-01	WASHER		2	
9	503 20 25-20	SCREW IHSCM		2	
10	735 11 73-50	SPRING WASHER		1	
11	503 22 10-03	HEXAGON NUT		1	
12	522 89 20-01	FLYWHEEL ASSY	Up to s/n 20172700017 (cut-out 11000 rpm)	1	
12	522 89 20-02	FLYWHEEL ASSY	(cut-out 9800 rpm)	1	17
13	501 67 35-01	SPRING		2	12
14	503 23 00-42	WASHER		2	12
15	501 67 32-01	PAWL		2	12
16	501 81 99-01	SCREW		2	12
17	595 31 26-01	IGNITION MODULE ASSY	Replaces 503 13 85-01 s/n up to 20172700017 (cut- out 9800 rpm)	1	

M 3120
STARTER



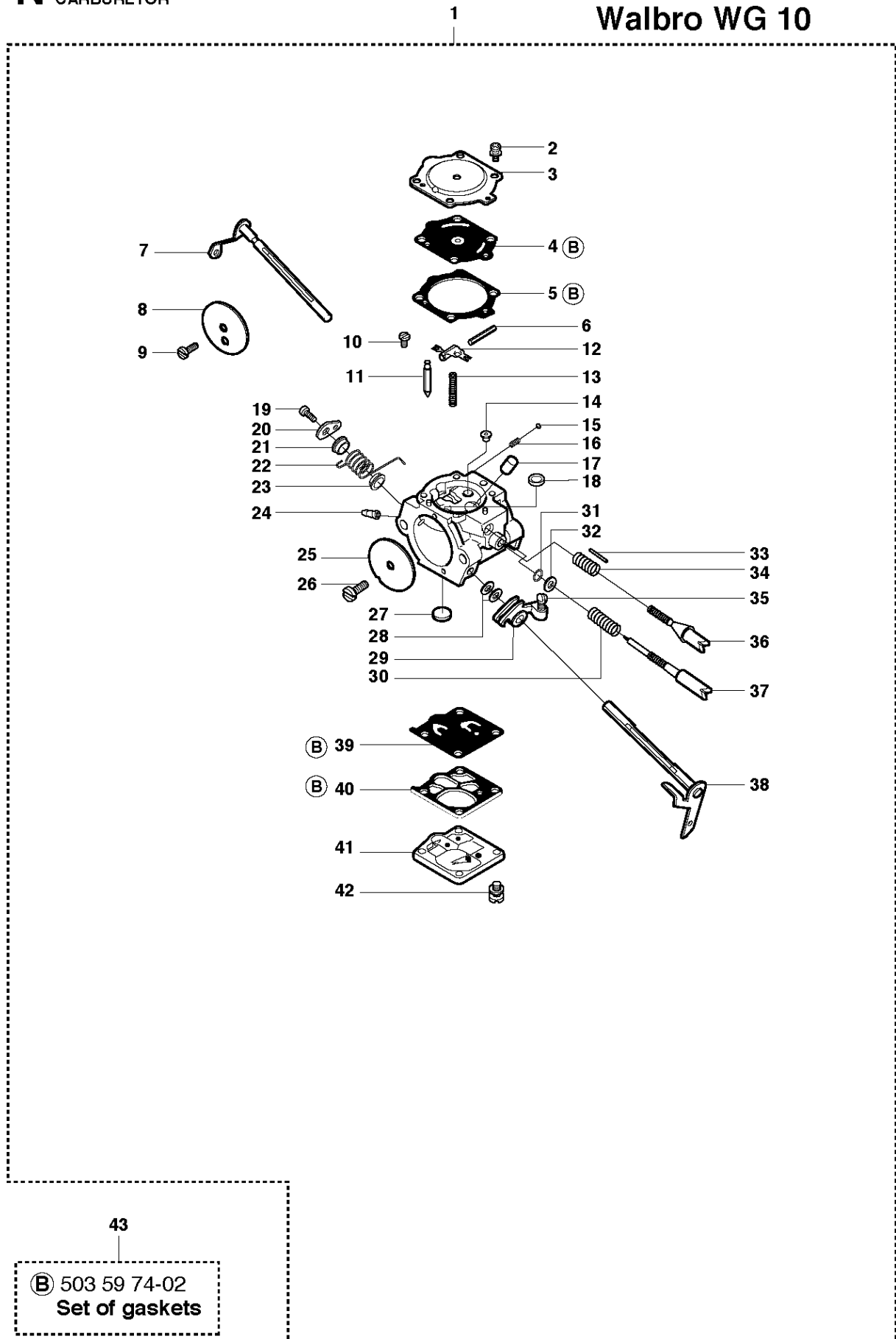
STARTER

3120 XP, 3120 XP EPA, 20182200001-Current

Ref	Part No	Description	Remark	QTY	KIT
1	501 89 65-02	STARTER ASSY		1	
2	503 21 49-72	SCREW IHSCFT		1	1
3	503 23 43-02	WASHER		1	1
4	501 89 67-01	STARTER PULLEY		1	1
5	503 43 29-03	STARTER CORD		1	1
6	503 13 50-01	RECOIL SPRING		1	1
7	501 89 66-01	STARTER HOUSING		1	1
8	501 63 06-01	SLEEVE		1	1
9	503 54 39-01	STARTER HANDLE		1	1
10	503 20 34-25	SCREW CCRPANMO		4	1
11	537 09 69-01	LABEL		1	
12	501 89 59-01	LEDSKENA		1	

N 3120
CARBURETOR

Walbro WG 7A EPA
Walbro WG 10

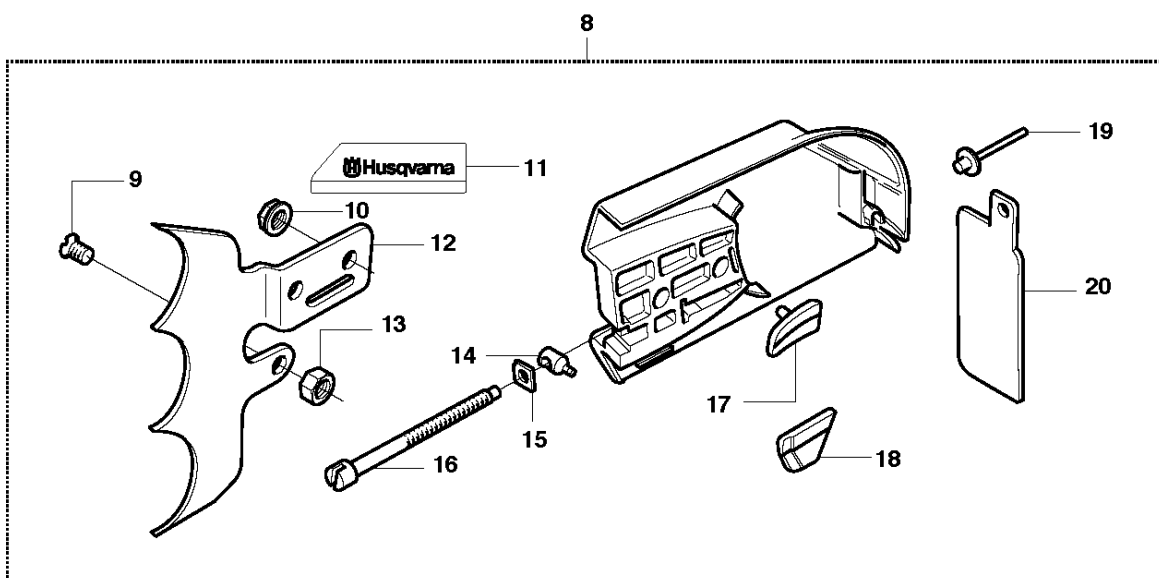
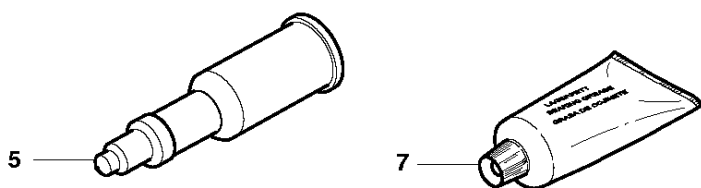
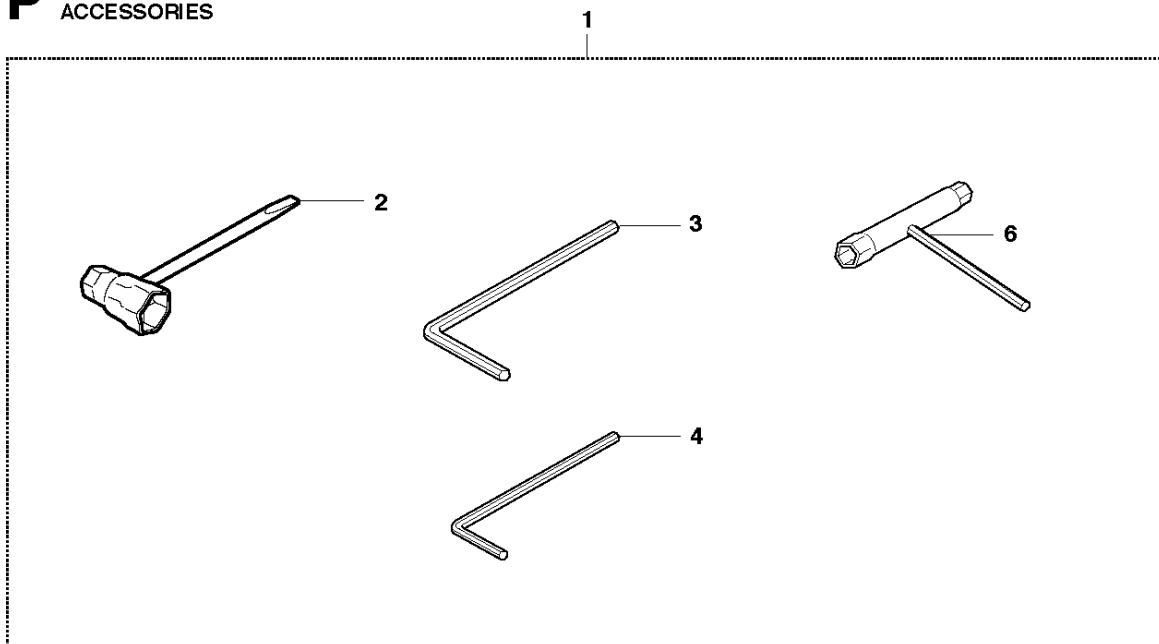


CARBURETOR

3120 XP, 3120 XP EPA, 20182200001-Current

Ref	Part No	Description	Remark	QTY	KIT
1	503 28 12-16	CARBURETTOR	WG 7A EPA	1	
1	503 28 20-01	CARBURETTOR	WG10	1	
2	503 10 87-01	SCREW		4	1
3	501 69 28-01	COVER		1	1
4	503 63 28-01	DIAPHRAGM ASSY		1	1, 43
5	501 46 75-01	GASKET		1	1, 43
6	505 31 67-31	PIN		1	1
7	503 52 57-01	SHAFT ASSY		1	1
8	503 52 58-01	VALVE CHOKE		1	1
9	530 03 50-15	SCREW		1	1
10	505 31 67-17	SCREW		1	1
11	503 63 25-01	VALVE -INLET NEEDLE		1	1
12	505 31 67-34	LEVER		1	1
13	505 31 67-23	SPRING		1	1
14	503 97 67-05	JET	EPA	1	1
14	537 21 85-01	NOZZLE ASSY		1	1
15	501 46 85-01	BALL		1	1
16	501 46 84-01	SPRING		1	1
17	503 97 66-01	NOZZLE ASSY		1	1
18	503 57 42-01	PLUG		1	1
19	501 46 87-01	SCREW		1	1
20	503 59 56-01	LEVER		1	1
21	502 10 31-01	BUSHING		1	1
22	503 52 59-01	SPRING THROTT RETURN		1	1
23	502 10 31-01	BUSHING		1	1
24	503 59 84-01	FITTING		1	1
25	503 63 24-01	VALVE THROTTLE		1	1
26	530 03 50-15	SCREW		1	1
27	501 66 61-01	SCREEN		1	1
28	506 02 83-01	WASHER		2	1
29	503 59 57-01	LEVER		1	1
30	505 31 67-37	SPRING		1	1
31	503 59 55-01	O-RING		1	1
32	503 59 72-01	WASHER		1	1
33	503 52 60-01	PIN THROTTLE STOP		1	1
34	503 63 31-01	SPRING		1	1
35	503 59 65-01	SCREW		1	1
36	503 63 29-01	SCREW IDLE SPEED		1	1
37	503 63 32-01	NEEDLE IDLE SPEED		1	1
38	503 59 59-01	SHAFT ASSY		1	1
39	503 11 73-01	DIAPHRAGM PUMP		1	1, 43
40	503 11 72-01	GASKET		1	1, 43
41	503 59 58-01	COVER		1	1
42	503 11 75-01	SCREW		4	1
43	503 59 74-02	GASKET KIT	Set of gaskets	1	

P 3120
ACCESSORIES



ACCESSORIES

3120 XP, 3120 XP EPA, 20182200001-Current

Ref	Part No	Description	Remark	QTY KIT	
1	503 55 85-02	TOOL KIT		1	
2	503 13 96-01	COMBINATION WRENCH		1	1
3	503 55 86-02	SPANNER	NV5*	1	1
4	503 55 86-01	SPANNER	NV4*	1	1
5	501 91 14-01	GREASE GUN		1	
6	501 68 89-01	COMBINATION WRENCH		1	1
7	503 62 12-01	GREASE		1	
8	501 89 63-01	CLUTCH COVER ASSY		1	
9	725 63 67-56	SCREW IHCSFM		1	
10	503 22 00-01	HEXAGON NUT		2	8
11	503 62 42-01	DECAL		1	8
12	503 14 04-01	SPIKE		1	8
13	503 22 24-02	LOCK NUT		1	8
14	505 26 76-50	PAWL		1	8
15	501 24 81-01	LOCK NUT		1	8
16	503 13 57-01	SCREW		1	8
17	503 14 12-01	CHAIN GUIDE		1	8
18	503 14 13-01	CHAIN GUIDE		1	8
19	722 78 29-02	BLIND RIVET		1	8
20	503 13 81-01	CHIP GUARD		1	8