

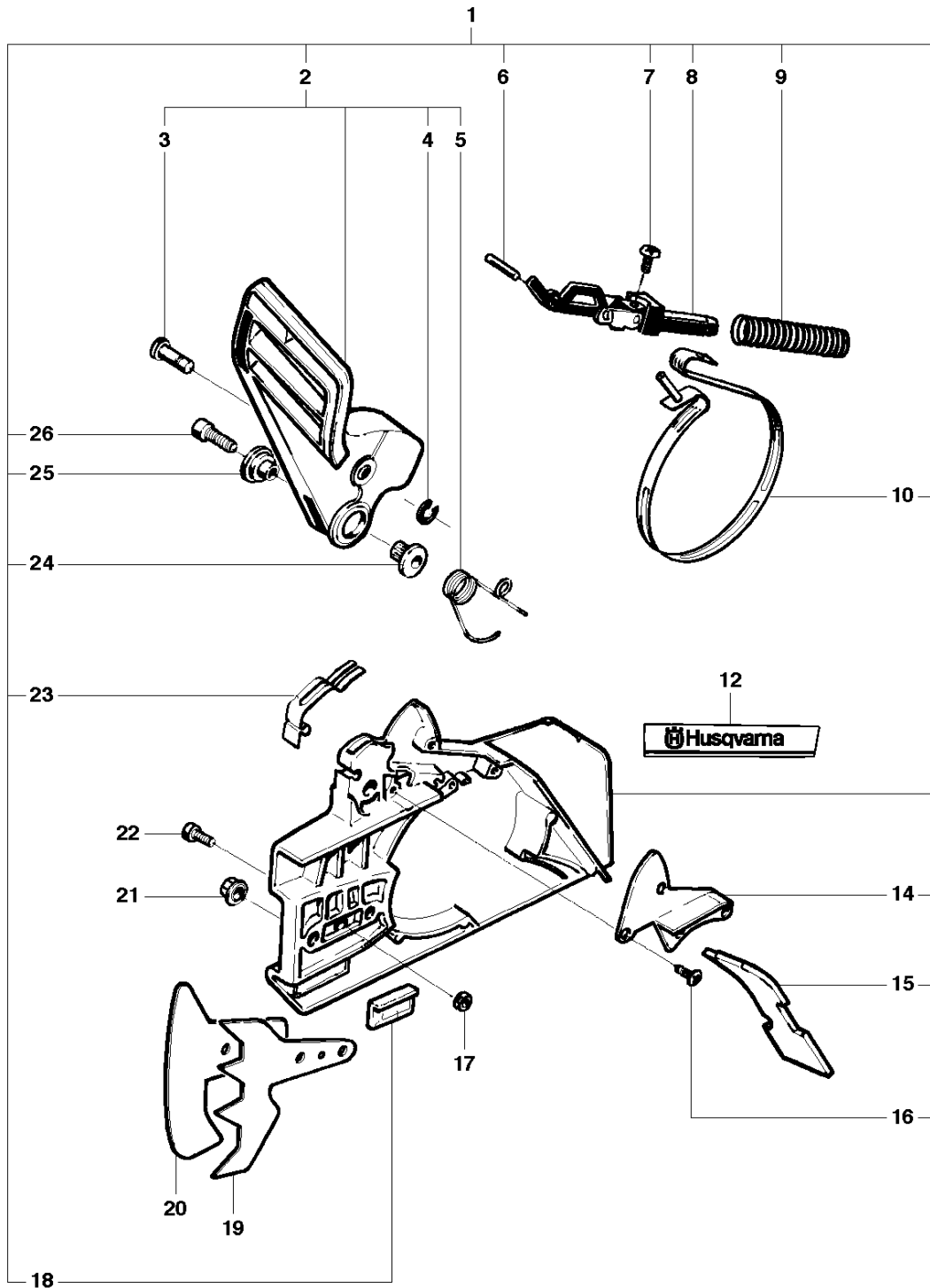


# SPARE PARTS LIST

## CHAIN SAWS

288 XP, 20182200001-Current

**A** 288  
CHAIN BREAK & CLUTCH COVER

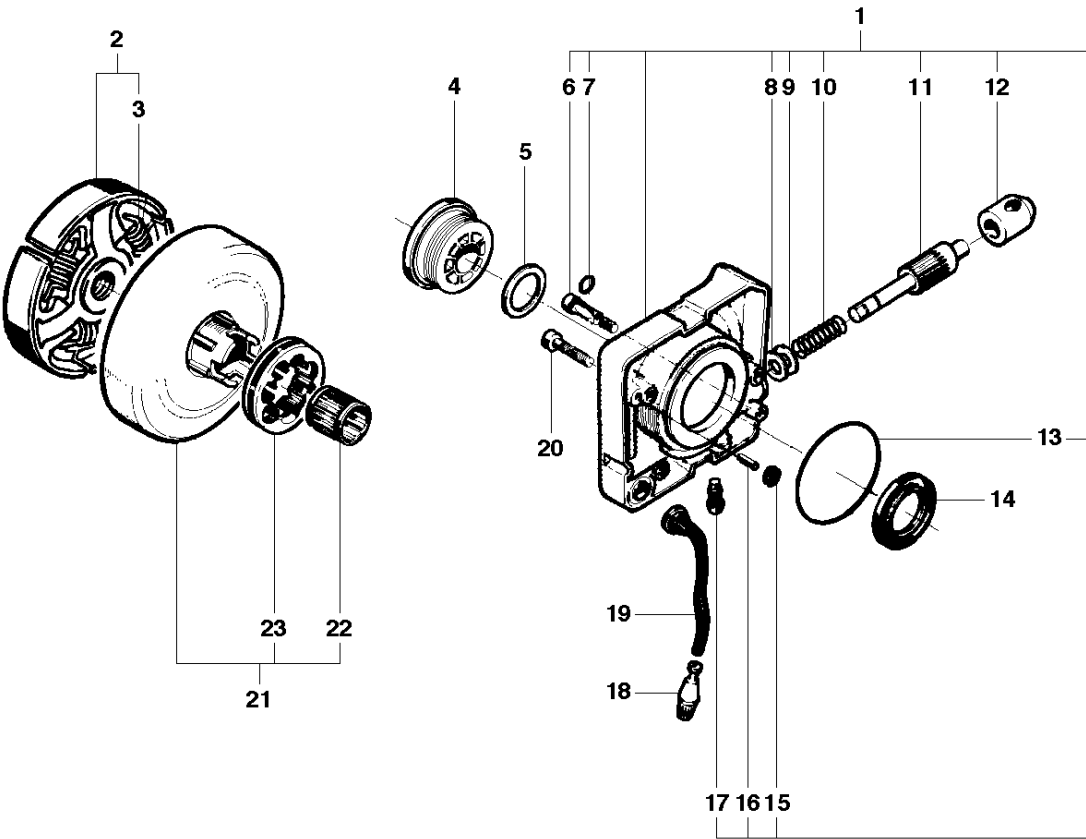


## CHAIN BRAKE &amp; CLUTCH COVER

288 XP, 20182200001-Current

Ref	Part No	Description	Remark	QTY	KIT
1	503 74 67-02	CHAIN BRAKE ASSY		1	
2	503 76 08-01	HAND GUARD ASSY		1	1
3	503 80 27-01	PIVOT PIN		1	1, 2
4	735 31 08-20	E-CLIP		1	1, 2
5	503 57 97-01	POSITION SPRING		1	1, 2
6	720 12 33-51	PARALLEL PIN		1	1
7	503 21 28-10	SCREW CCRPANT		1	1
8	501 87 53-01	KNEE JOINT ASSY		1	1
9	503 70 99-01	BRAKE SPRING		1	1
10	503 70 40-02	BRAKE BAND ASSY		1	1
12	503 77 54-01	LABEL		1	
14	503 70 39-01	HUB CAP		1	1
15	503 57 37-01	CHIP GUARD		1	1
16	503 21 28-10	SCREW CCRPANT		4	1
17	503 22 24-01	LOCK NUT		1	
18	501 51 72-01	CHAIN GUIDE		1	1
19	501 91 84-01	SPIKE		1	
20	503 60 13-01	SPIKE		1	
21	503 22 00-01	HEXAGON NUT		2	
22	725 53 27-55	SCREW IHSCM		1	
23	501 87 47-01	SPRING		1	1
24	503 52 08-01	SHAFT		1	1
25	501 76 80-01	SHAFT		1	1
26	503 20 26-16	SCREW IHSCM		1	1

**B** 288  
CLUTCH & OIL PUMP

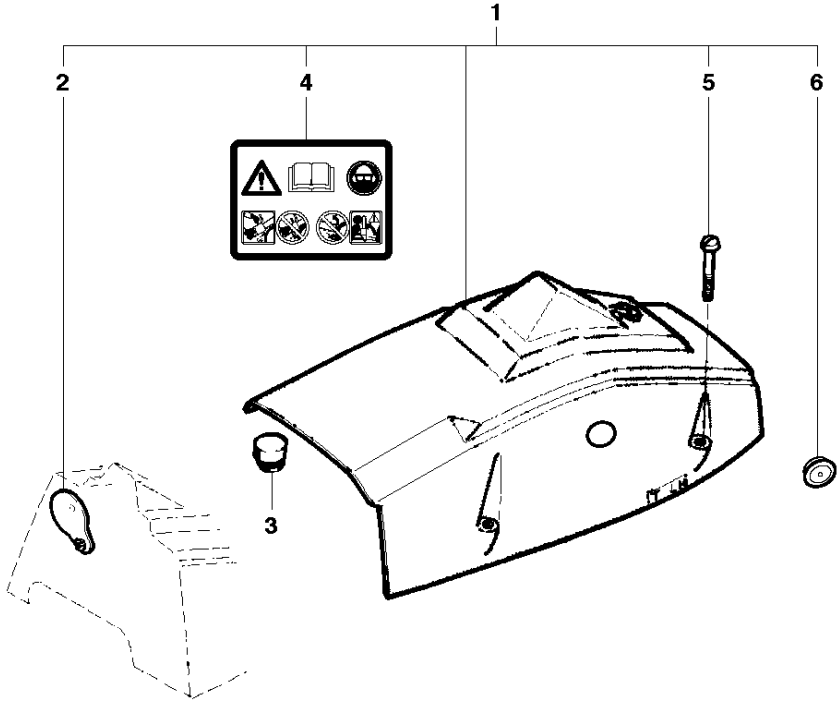


## CLUTCH &amp; OIL PUMP

288 XP, 20182200001-Current

Ref	Part No	Description	Remark	QTY	KIT
1	503 69 81-01	OIL PUMP ASSY		1	
2	503 70 15-02	CLUTCH ASSY		1	
3	503 14 51-01	CLUTCH SPRING		3	2
4	503 55 75-01	GEAR WHEEL		1	
5	503 23 00-58	WASHER		1	
6	501 29 38-01	ADJUSTMENT SCREW		1	1
7	740 42 01-00	O-RING		1	1
8	503 23 10-02	WASHER		1	1
9	503 23 00-19	WASHER		1	1
10	501 54 48-01	SPRING		1	1
11	503 69 82-01	PUMP PISTON		1	1
12	501 29 39-02	BUSHING		1	1
13	740 42 24-00	O-RING		1	1
14	503 26 02-05	SEALING RING		1	
15	501 28 85-01	SEAL		1	1
16	721 42 03-25	PINNE FRP-LS3X6 OXSV		1	1
17	501 28 41-01	SCREW		1	1
18	501 54 41-02	OIL SCREEN		1	
19	501 51 99-01	OIL HOSE		1	
20	725 52 95-56	SCREW IHSCM		3	
21	503 62 59-03	CLUTCH DRUM ASSY	"3/8"x7"	1	
21	503 62 59-04	CLUTCH DRUM ASSY	.404x7	1	
22	503 25 30-01	NEEDLE BEARING		1	21
23	501 59 80-02	RIM	"3/8"x7"	1	21
23	501 59 79-02	RIM	.404x7	1	21

**C** 288  
CYLINDER COVER

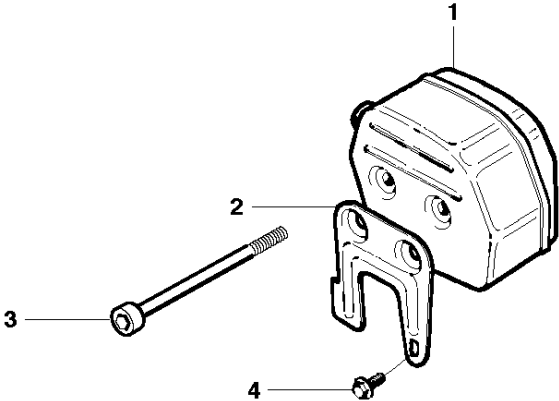


CYLINDER COVER

288 XP, 20182200001-Current

Ref	Part No	Description	Remark	QTY	KIT
1	501 80 59-04	CYLINDER COVER ASSY		1	
2	501 63 97-01	COVER		1	1
3	501 51 54-01	SUPPORT		1	
4	503 98 74-01	LABEL	HD	1	1
5	503 20 32-28	SCREW		3	1
6	501 61 52-01	PLUG	HD	4	1

**D** 288  
MUFFLER



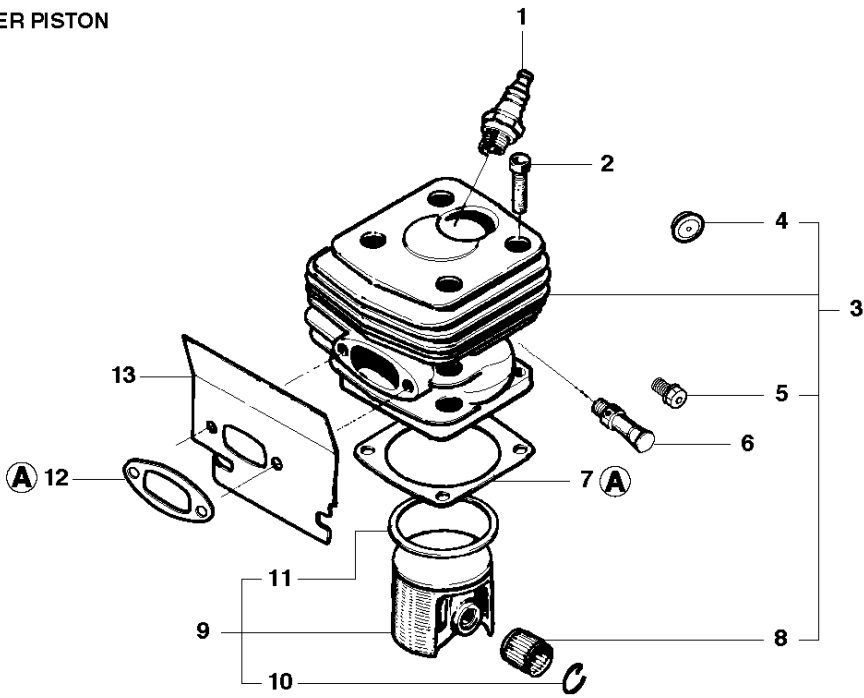


MUFFLER

288 XP, 20182200001-Current

Ref	Part No	Description	Remark	QTY KIT
1	501 81 68-02	MUFFLER	DJ	1
2	501 81 79-01	BRACKET		1
3	503 20 38-90	SCREW IHSCM		2
4	503 20 02-16	SCREW IHSCFM		1

**E** 288  
CYLINDER PISTON



14

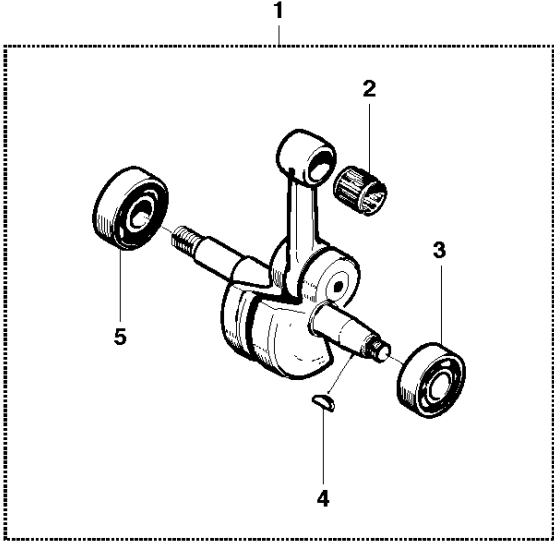
**(A)** 501 81 34-03  
Set of gaskets

## CYLINDER PISTON

288 XP, 20182200001-Current

Ref	Part No	Description	Remark	QTY	KIT
1	503 23 51-09	SPARK PLUG	RCJ 6 Y	1	
2	503 21 60-25	SCREW		4	
3	544 22 31-02	CYLINDER ASSY		1	
4	501 61 52-01	PLUG		1	3
5	503 55 22-01	PLUG		1	3
6	503 71 53-01	DECOMPRESSION VALVE		1	
7	501 80 13-02	GASKET		1	14
8	503 25 61-01	NEEDLE BEARING		1	3
9	544 22 41-02	PISTON ASSY		1	
10	737 44 13-00	CIRCLIP		2	9
11	544 22 51-01	PISTON RING		1	9
12	501 81 60-03	GASKET		1	14
13	503 51 25-01	HEAT DEFLECTOR		1	
14	501 81 34-03	GASKET KIT	A = Set of gaskets	1	

**F** 288  
CRANKSHAFT

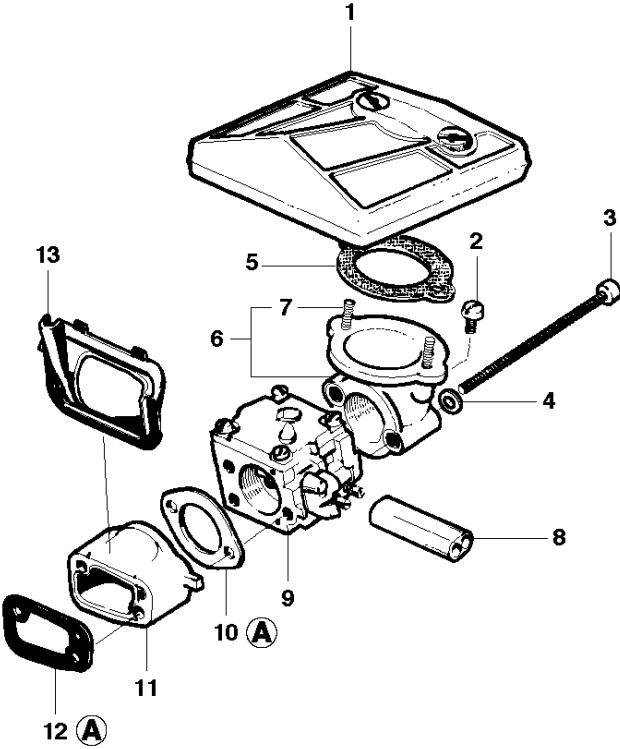


CRANKSHAFT

288 XP, 20182200001-Current

Ref	Part No	Description	Remark	QTY	KIT
1	501 81 49-01	CRANKSHAFT ASSY		1	
2	503 25 61-01	NEEDLE BEARING		1	1
3	738 22 03-25	BALL BEARING		1	1
4	735 88 06-00	WOODRUFF KEY		1	1
5	738 22 03-25	BALL BEARING		1	1

**G** 288  
CARBURETOR & AIR FILTER



14

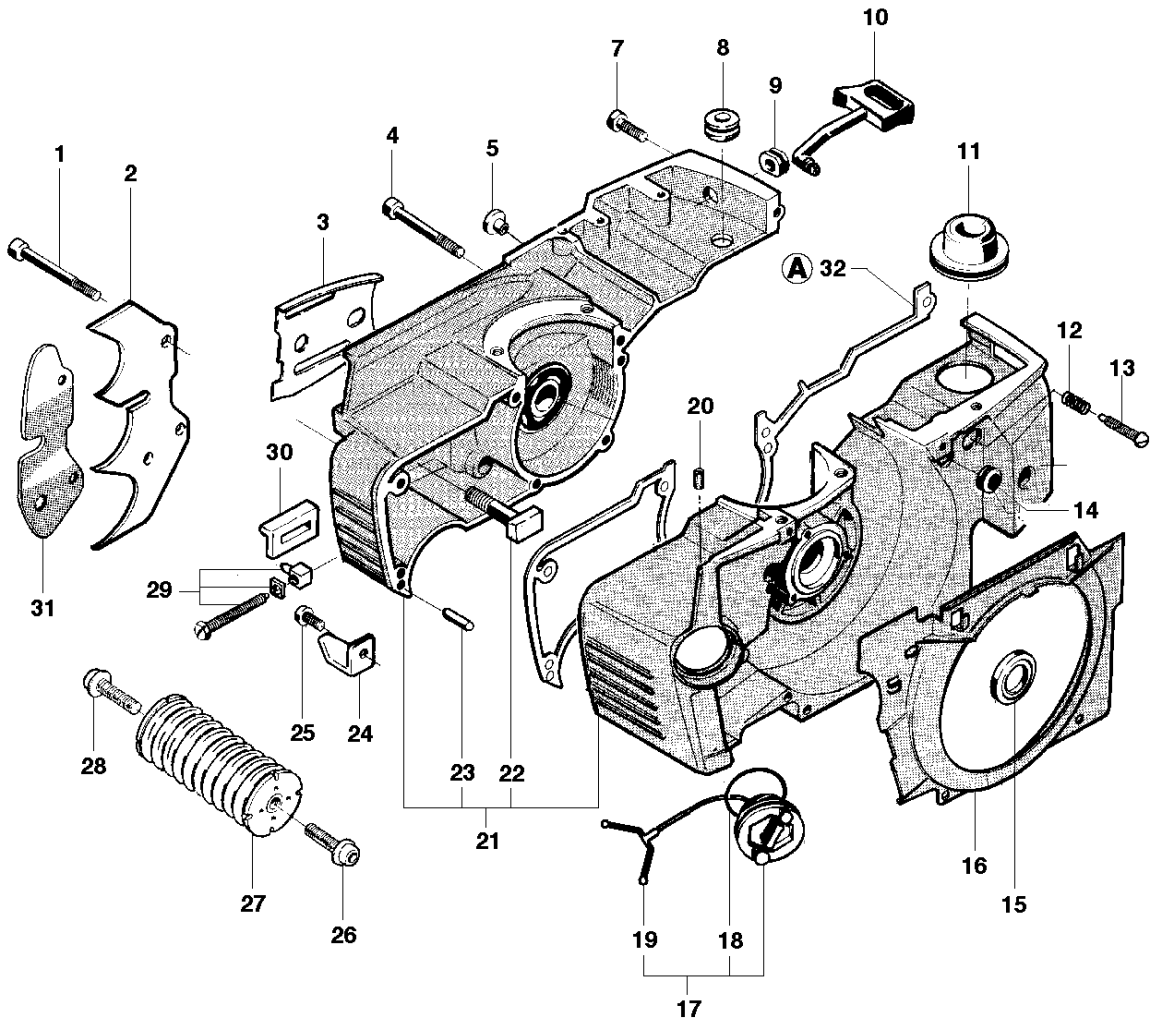
Ⓐ 501 81 34-03  
Set of gaskets

## CARBURETOR &amp; AIR FILTER

288 XP, 20182200001-Current

Ref	Part No	Description	Remark	QTY	KIT
1	501 80 71-01	AIR FILTER ASSY	80 μ	1	
1	501 80 71-06	AIR FILTER ASSY	44 μ	1	
1	501 80 71-05	AIR FILTER ASSY	FELT	1	
2	503 20 02-10	SCREW IHSCFM		1	
3	503 20 21-91	SCREW IHSCM		2	
4	735 11 46-50	SPRING WASHER		2	
5	501 81 56-01	GASKET		1	
6	501 80 62-02	FILTER HOLDER ASSY		1	
7	503 20 80-06	SCREW		2	6
8	501 80 69-01	GUIDE BUSHING		1	
9	501 35 53-01	CARBURETTOR	WJ 117	1	
10	501 29 64-02	GASKET		1	14
11	501 80 66-02	MANIFOLD		1	
12	501 80 68-02	GASKET		1	14
13	501 81 18-01	SEALING COLLAR		1	
14	501 81 34-03	GASKET KIT	A = Set of gaskets	1	

**H** 288  
CRANKCASE



32  
Ⓐ 501 81 34-03  
Set of gaskets

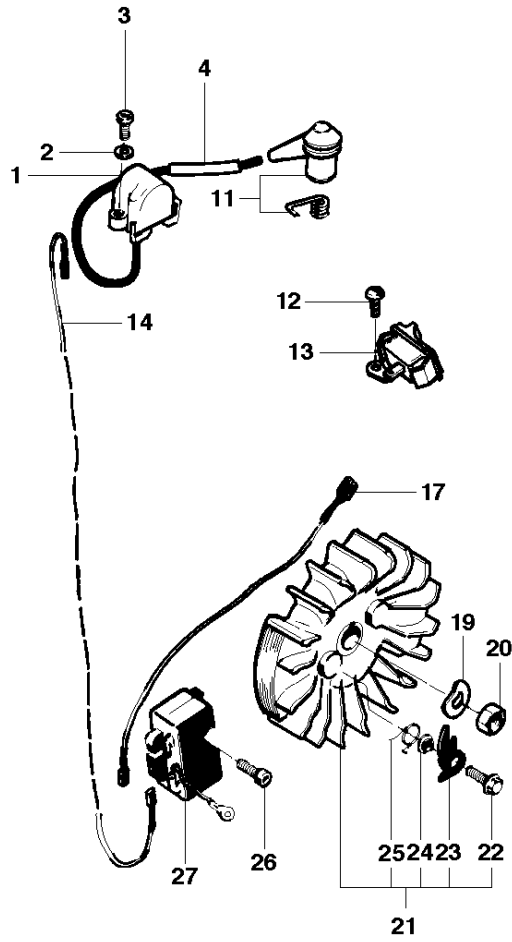


## CRANKCASE

288 XP, 20182200001-Current

Ref	Part No	Description	Remark	QTY	KIT
1	725 53 42-55	SCREW IHSCM		2	
2	501 91 81-01	SPIKE		1	
3	501 81 48-01	PROTECTIVE PLATE		1	
4	725 53 37-55	SCREW IHSCM		4	
5	503 72 31-01	BUSHING		1	
7	725 53 29-55	SCREW IHSCM		1	
8	503 69 76-01	GROMMET		1	
9	501 52 78-01	GROMMET		1	
10	501 52 79-02	CHOKE CONTROL		1	
11	501 91 67-01	BELLOWS		1	
12	501 29 66-01	SPRING		1	
13	501 29 65-01	SCREW		1	
14	501 27 13-02	CABLE GROMMET		1	
15	503 26 02-05	SEALING RING		1	
16	501 80 19-02	LEDSKENA		1	
17	501 81 96-02	TANK CAP ASSY		1	
18	503 26 30-17	O-RING		1	17
19	503 57 89-01	HOLDER		1	17
20	501 83 94-01	FILTER PLUG		1	
21	501 80 03-71	CRANKCASE		1	
22	501 81 57-01	BAR BOLT		2	21
23	501 27 08-01	GUIDE BUSHING		2	21
24	501 68 68-01	CHAIN CATCHER		1	
25	725 53 27-55	SCREW IHSCM		1	
26	503 21 05-22	SCREW IHST		1	
27	503 49 62-01	ANTIVIBRATION ELEMENT		1	
28	503 21 05-22	SCREW IHST		1	
29	501 53 71-01	CHAIN TENSIONER KIT		1	
30	501 51 72-01	CHAIN GUIDE		1	
31	503 60 12-01	SPIKE		1	
32	501 81 34-03	GASKET KIT	A = Set of gaskets	1	

**J** 288  
IGNITION SYSTEM

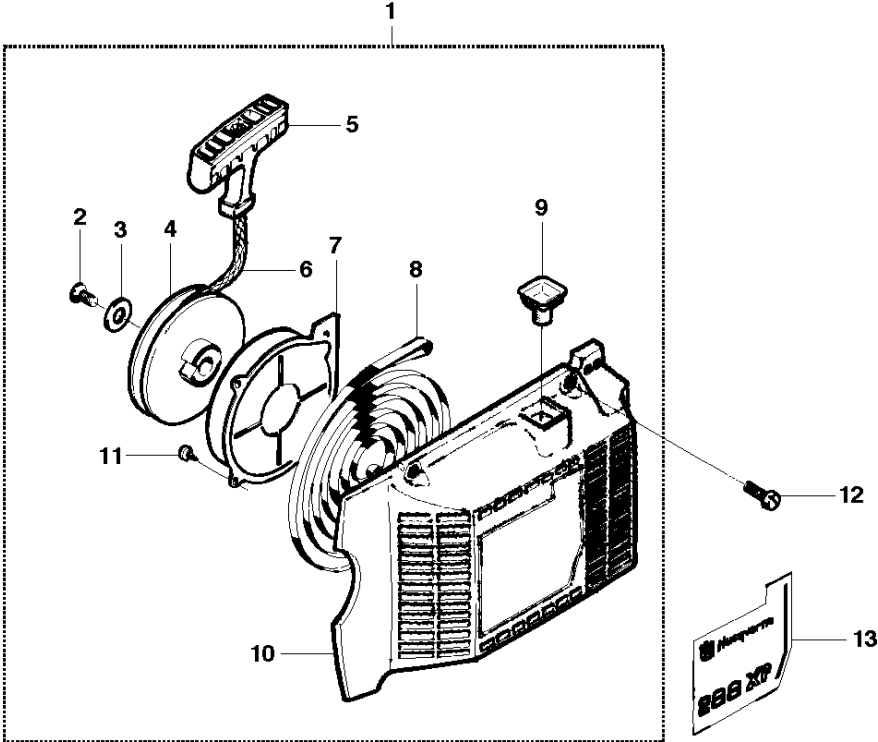


## IGNITION SYSTEM

288 XP, 20182200001-Current

Ref	Part No	Description	Remark	QTY	KIT
1	501 81 28-01	IGNITION COIL		1	
2	503 23 00-01	WASHER		2	
3	725 52 93-56	SCREW IHSCM		2	
4	501 52 74-01	RUBBER HOSE		1	
11	501 48 54-02	SPARK PLUG CAP		1	
12	503 21 28-06	SCREW CCRPANT		1	
13	503 71 79-01	STOP SWITCH		1	
14	501 83 97-02	WIRE		1	
17	501 83 98-03	CABLE		1	
19	735 11 73-50	SPRING WASHER		1	
20	503 22 10-02	HEXAGON NUT		1	
21	504 70 16-01	FLYWHEEL ASSY		1	
22	501 81 99-01	SCREW		2	21
23	501 67 32-01	PAWL		2	21
24	503 23 00-42	WASHER		2	21
25	501 67 35-01	SPRING		2	21
26	725 53 29-56	SCREW IHSCM		2	
27	501 81 27-02	MODULE		1	

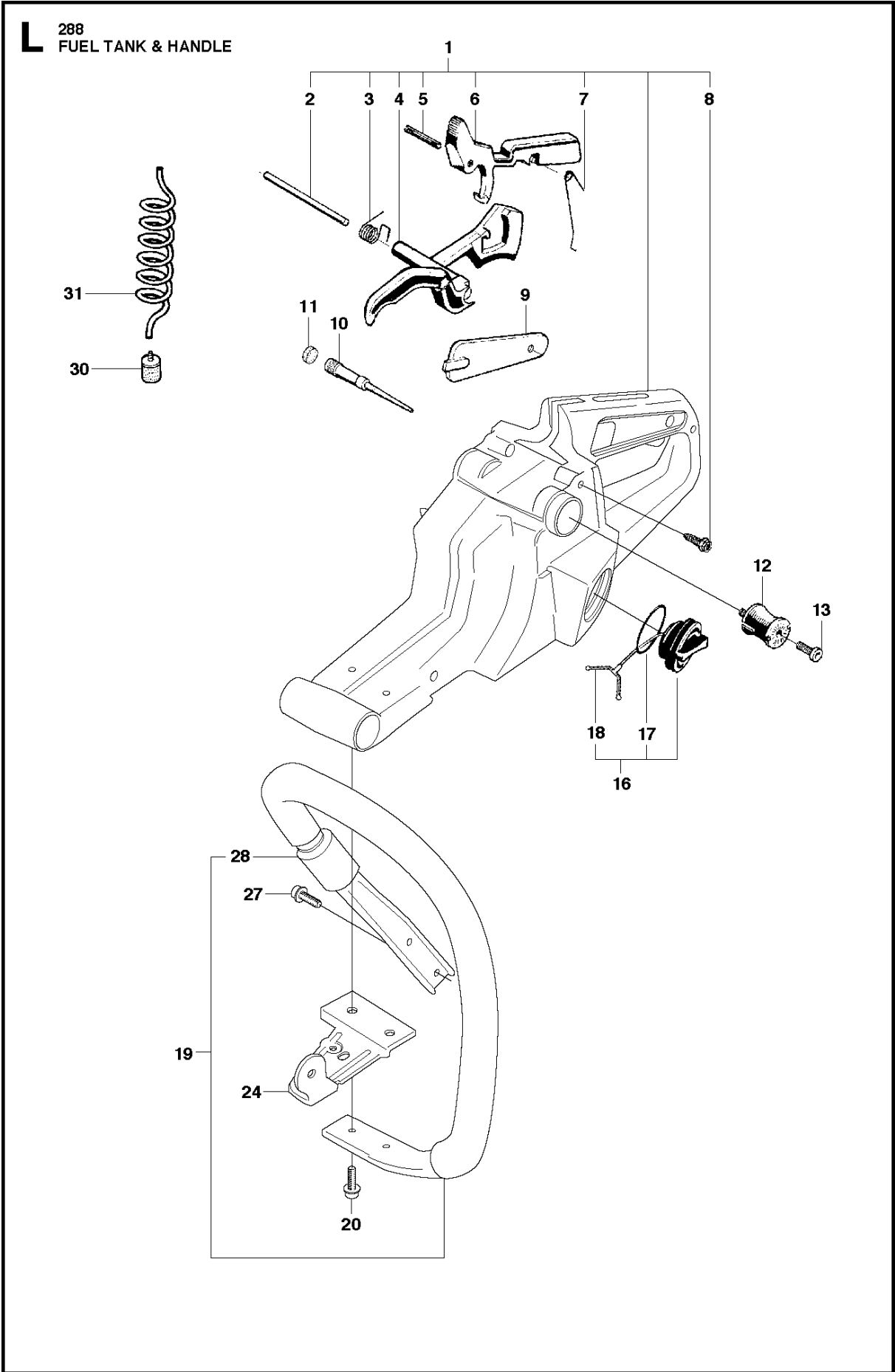
**K** 288  
STARTER



## STARTER

288 XP, 20182200001-Current

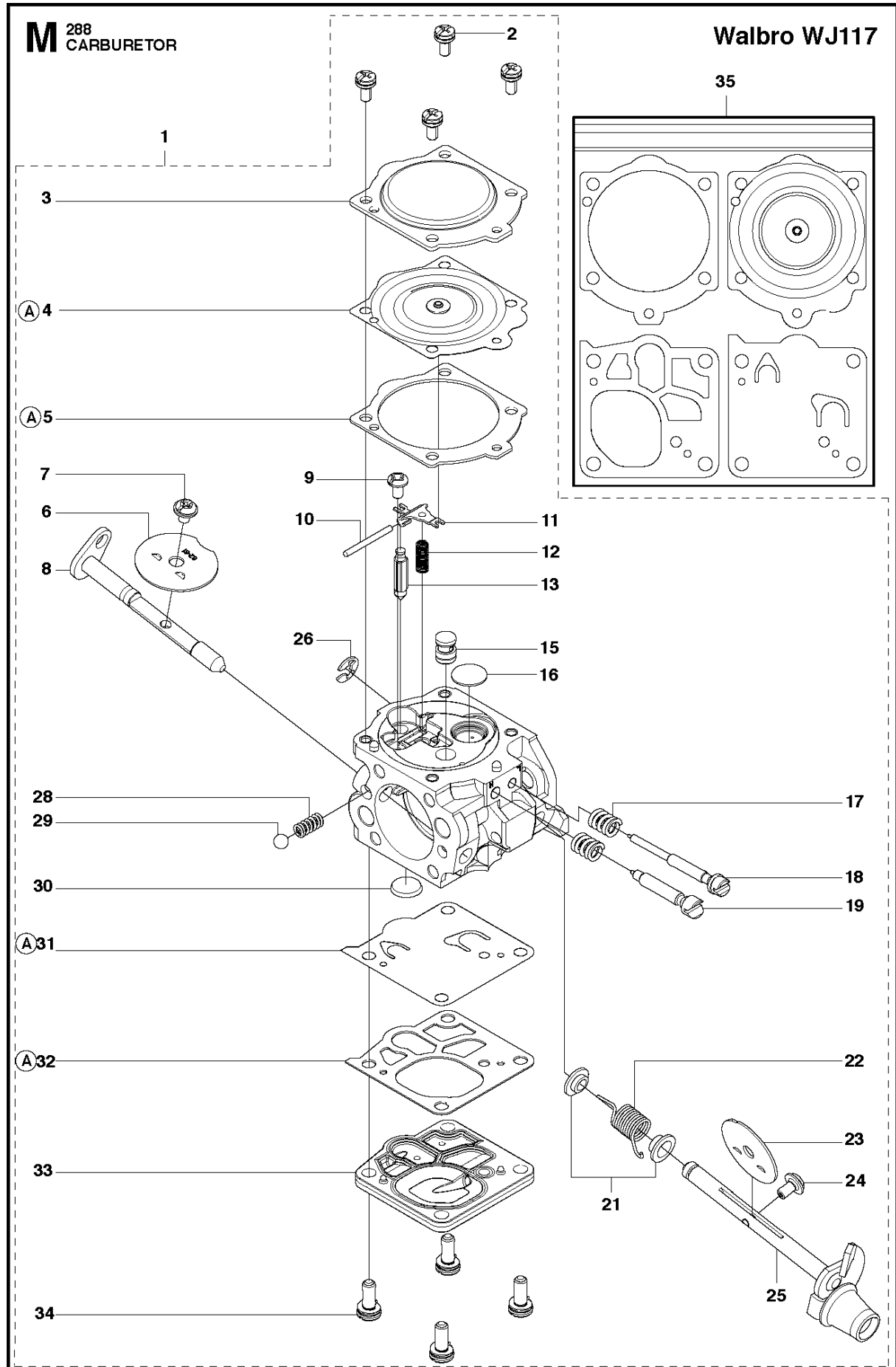
Ref	Part No	Description	Remark	QTY	KIT
1	501 81 00-06	STARTER ASSY		1	
2	503 20 03-12	SCREW IHSCFM		1	1
3	503 23 43-02	WASHER		1	1
4	503 48 48-01	STARTER PULLEY		1	1
5	503 54 39-01	STARTER HANDLE		1	1
6	501 20 15-02	STARTER CORD		1	1
7	501 52 95-02	GUARD RING		1	1
8	501 52 04-02	RECOIL SPRING		1	1
9	501 63 06-01	SLEEVE		1	1
10	501 81 01-05	STARTER HOUSING		1	1
11	503 21 28-06	SCREW CCRPANT		2	1
12	724 13 29-55	SCREW		4	
13	503 70 98-02	DECAL		1	



## FUEL TANK &amp; HANDLE

288 XP, 20182200001-Current

Ref	Part No	Description	Remark	QTY	KIT
1	501 80 91-05	FUEL TANK		1	
2	501 51 97-01	ROD		1	1
3	501 52 88-01	RECOIL SPRING		1	1
4	501 91 66-02	THROTTLE LEVER		1	1
5	721 42 12-26	SPRING PIN		1	1
6	501 81 75-02	THROTTLE LOCKOUT		1	1
7	503 78 63-01	SPRING		1	1
8	503 21 06-16	SCREW IHSC		1	1
9	503 48 45-01	HANDLE INSERT		2	
10	501 87 25-01	TANK VENT		1	
11	503 60 04-01	FILTER PLUG		1	
12	501 81 47-02	ANTIVIBRATION ELEMENT		6	
13	725 53 27-55	SCREW IHSC		6	
16	501 81 96-02	TANK CAP ASSY		1	
17	503 26 30-17	O-RING		1	16
18	503 57 89-01	HOLDER		1	16
19	501 80 75-05	FRONT HANDLE ASSY		1	
20	503 21 05-22	SCREW IHSC		2	
24	501 91 70-01	BRACKET		1	
27	503 21 05-22	SCREW IHSC		2	
28	501 91 89-02	SUPPORT		1	19
30	503 51 71-01	FUEL FILTER		1	
31	581 75 62-01	FUEL HOSE		1	





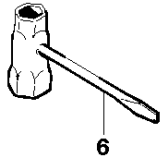
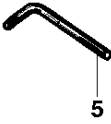
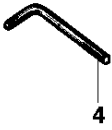
## CARBURETOR

288 XP, 20182200001-Current

Ref	Part No	Description	Remark	QTY	KIT
1	501 35 53-01	CARBURETTOR	Walbro WJ 117	1	
2	503 58 46-01	SCREW		4	1
3	505 31 67-02	COVER		1	1
4	503 63 58-01	DIAPHRAGM ASSY		1	1, 35
5	501 46 75-01	GASKET		1	1, 35
6	505 31 67-07	VALVE-CHOKE		1	1
7	544 11 15-01	SCREW		1	1
8	574 87 11-01	CHOKE SHAFT		1	1
9	505 31 67-17	SCREW		1	1
10	505 31 67-31	PIN		1	1
11	505 31 67-34	LEVER		1	1
12	574 87 13-01	SPRING		1	1
13	503 56 34-01	NEEDLE VALVE		1	1
15	574 87 12-01	NOZZLE ASSY		1	1
16	503 57 41-01	PLUG		1	1
17	504 21 00-50	SPRING		2	1
18	574 87 16-01	NEEDLE	L	1	1
19	503 48 36-01	NEEDLE HIGH SPEED	H	1	1
21	502 10 31-01	BUSHING		2	1
22	574 87 15-01	SPRING		1	1
23	503 11 68-01	VALVE-THROTTLE		1	1
24	544 11 15-01	SCREW		1	1
25	574 87 10-01	THROTTLE SHAFT		1	1
26	505 31 67-36	RING		1	1
28	503 11 77-01	SPRING		1	1
29	503 11 71-01	BALL		1	1
30	501 66 61-01	SCREEN		1	1
31	544 89 72-01	DIAPHRAGM PUMP		1	1, 35
32	503 11 72-01	GASKET		1	1, 35
33	503 59 58-01	COVER		1	1
34	503 11 75-01	SCREW		4	1
35	502 52 92-01	GASKET KIT	Set of Gaskets	1	

**N** 288  
ACCESSORIES

1



## ACCESSORIES

288 XP, 20182200001-Current

Ref	Part No	Description	Remark	QTY	KIT
1	503 55 85-01	TOOL		1	
4	503 55 86-01	SPANNER	NV4	1	1
5	503 55 86-02	SPANNER	NV5	1	1
6	501 69 17-01	COMBINATION WRENCH		1	1
7	501 91 14-01	GREASE GUN		1	
8	503 62 12-01	GREASE		1	