

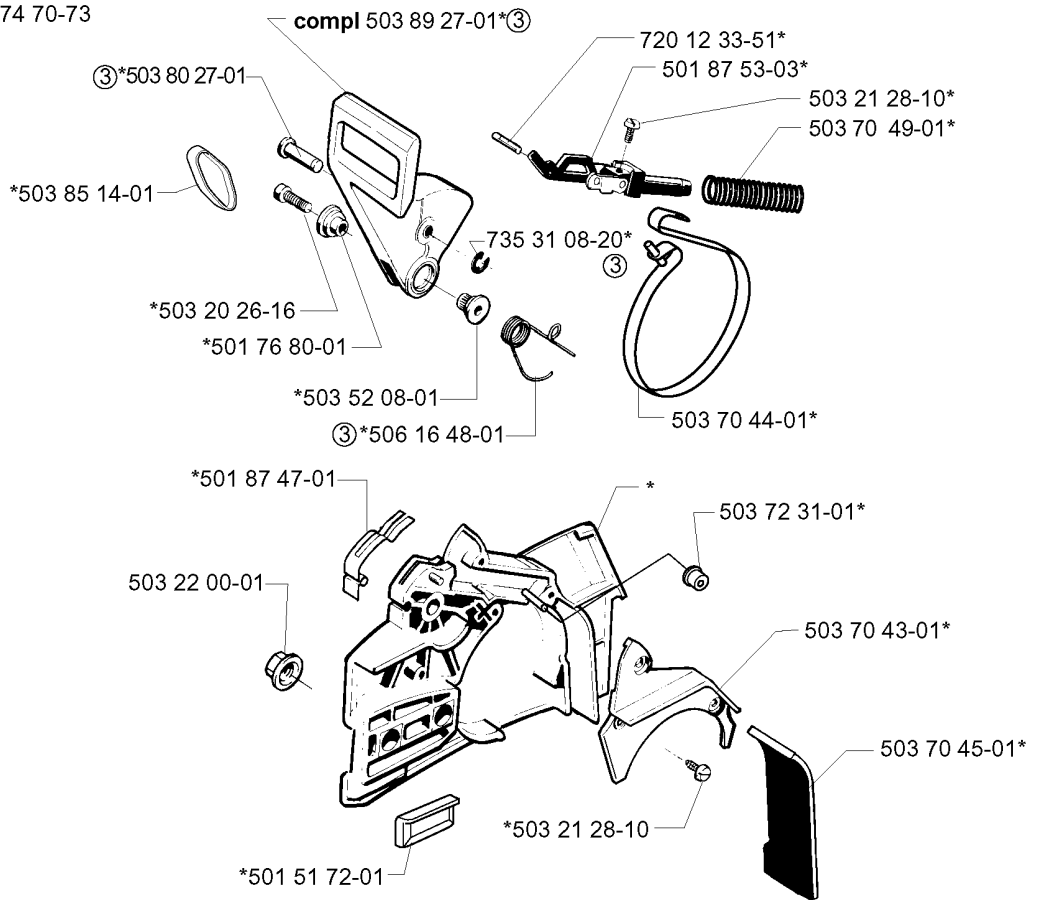


SPARE PARTS LIST

CHAIN SAWS

254, 20013500001-Current

A *compl 503 74 70-73

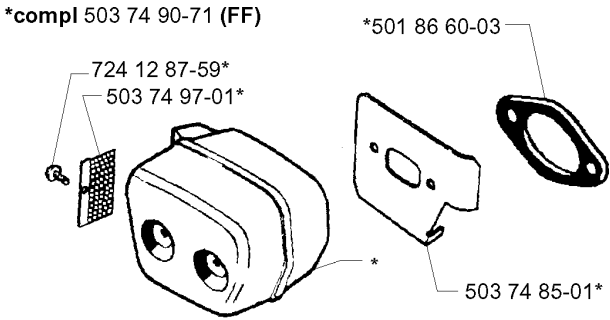
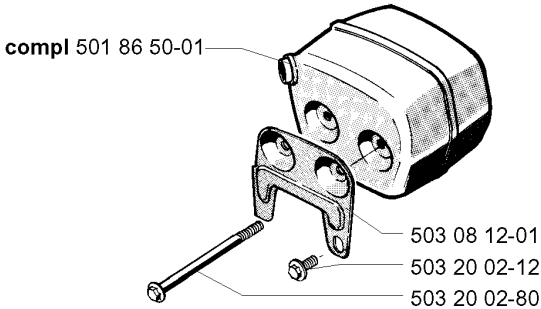


CHAIN BRAKE

254, 20013500001-Current

Part No	Description	Remark	QTY KIT
501 51 72-01	CHAIN GUIDE		1
501 76 80-01	SHAFT		1
501 87 47-01	SPRING		1
501 87 53-03	KNEE JOINT		1
503 20 26-16	SCREW IHSCM		1
503 21 28-10	SCREW CCRPANT		1
503 21 28-10	SCREW CCRPANT		1
503 22 00-01	HEXAGON NUT		1
503 52 08-01	SHAFT		1
503 70 43-01	HUB CAP		1
503 70 44-01	BRAKE BAND ASSY		1
503 70 45-01	CHIP GUARD		1
503 70 49-01	BRAKE SPRING		1
503 72 31-01	BUSHING		1
503 74 70-73	CLUTCH COVER		1
503 80 27-01	PIVOT PIN		1
503 85 14-01	PROTECTIVE COVER		1
503 89 27-01	HAND GUARD		1
506 16 48-01	POSITION SPRING		1
720 12 33-51	PARALLEL PIN		1
735 31 08-20	E-CLIP		1

F



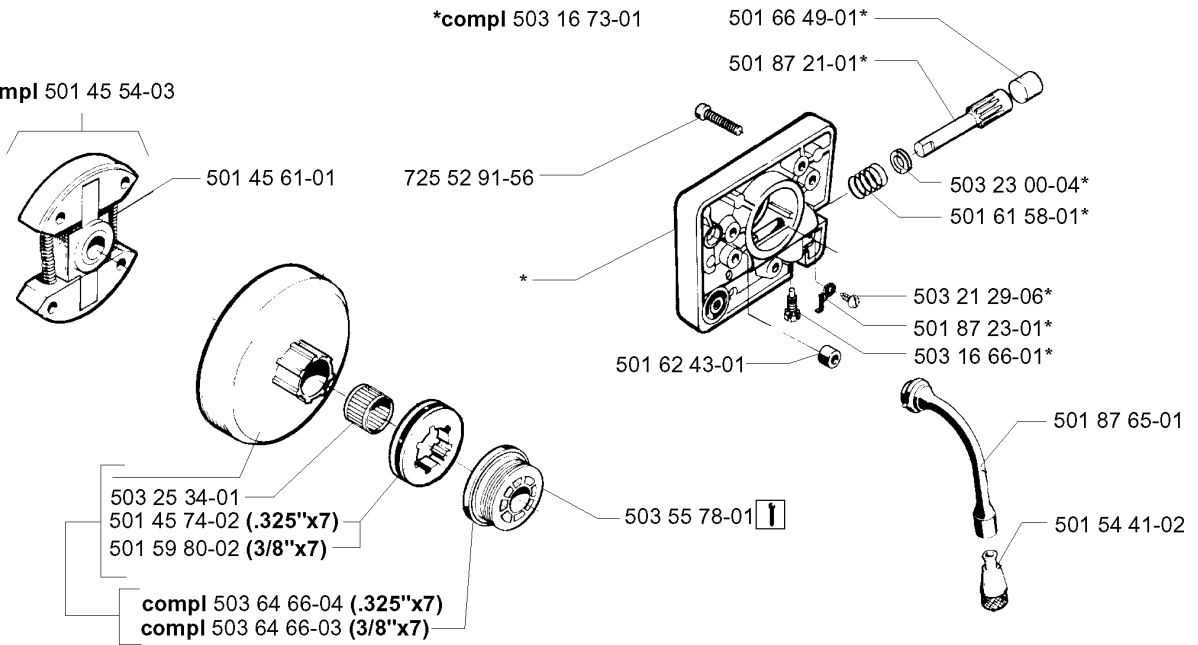
MUFFLER

254, 20013500001-Current

Part No	Description	Remark	QTY KIT
501 86 50-01	MUFFLER ASSY		1
501 86 60-03	GASKET		1
503 08 12-01	BRACKET		1
503 20 02-12	SCREW IHSCFM		1
503 20 02-80	SCREW IHSCFM		1
503 74 85-01	HEAT DEFLECTOR		1
503 74 90-71	MUFFLER	FF	1
503 74 97-01	SPARK ARRESTER SCREEN		1
724 12 87-59	SCREW CRPANM		1

J

compl 501 45 54-03



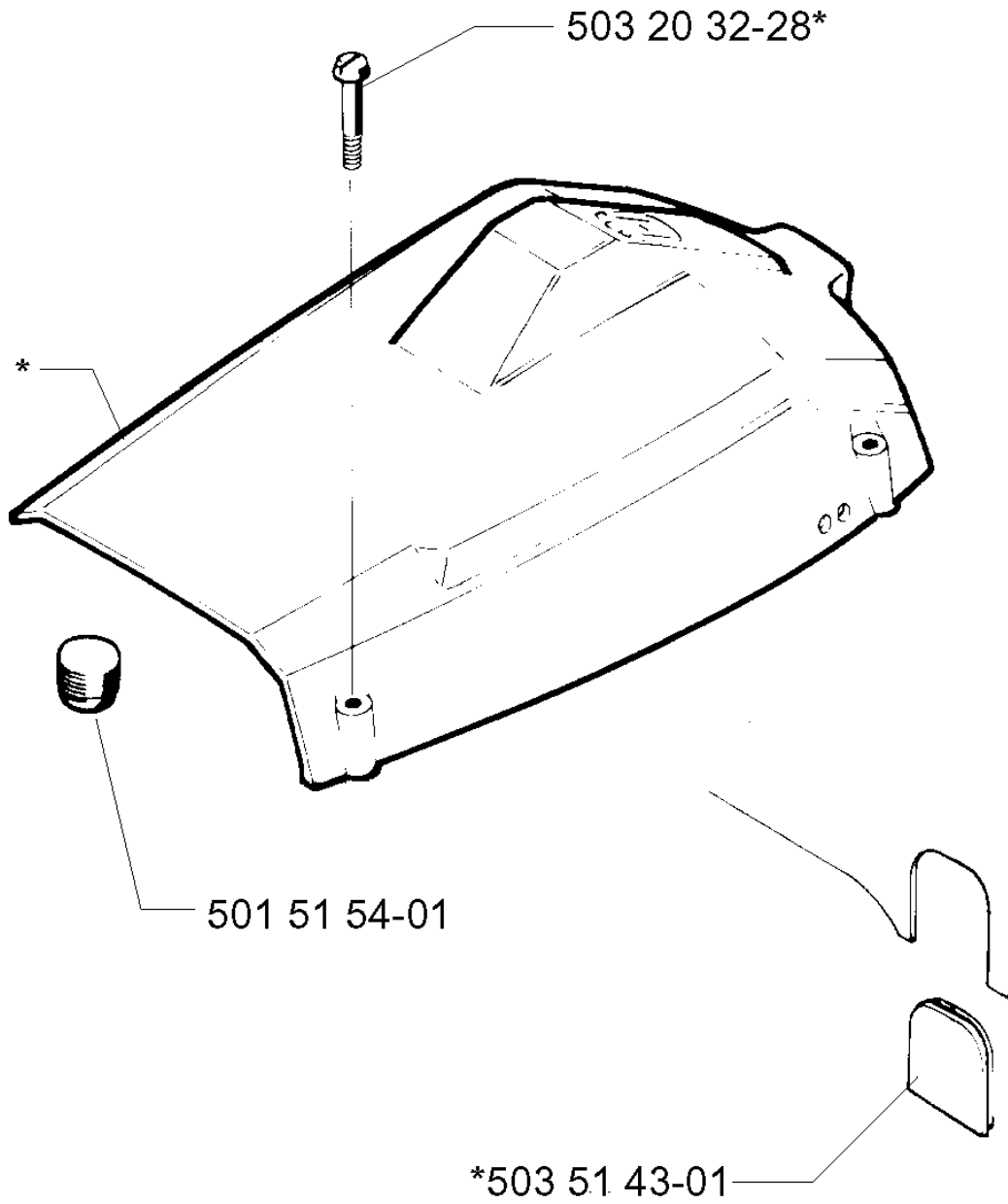
CLUTCH & OIL PUMP

254, 20013500001-Current

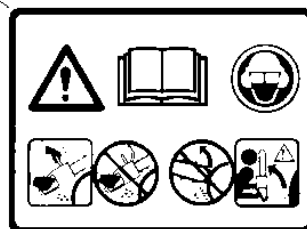
Part No	Description	Remark	QTY KIT
501 45 54-03	CLUTCH ASSY		1
501 45 61-01	CLUTCH SPRING		1
501 45 74-02	RIM	.325X7	1
501 54 41-02	OIL SCREEN		1
501 59 80-02	RIM	3/8X7	1
501 61 58-01	SPRING		1
501 62 43-01	SEALING RING		1
501 66 49-01	TÄTNINGSPROPP		1
501 87 21-01	PUMP PISTON		1
501 87 23-01	LOCKING SPRING		1
501 87 65-01	OIL HOSE		1
503 16 66-01	PIN SCREW		1
503 16 73-01	OIL PUMP ASSY		1
503 21 29-06	SCREW CCRPANT		1
503 23 00-04	WASHER		1
503 25 34-01	NEEDLE BEARING		1
503 55 78-01	PUMP PINION		1
503 64 66-03	CLUTCH DRUM	3/8X7	1
503 64 66-04	CLUTCH DRUM ASSY	.325X7	1
725 52 91-56	SCREW IHSCM		1

B

***compl 501 86 95-08**



*503 98 74-01

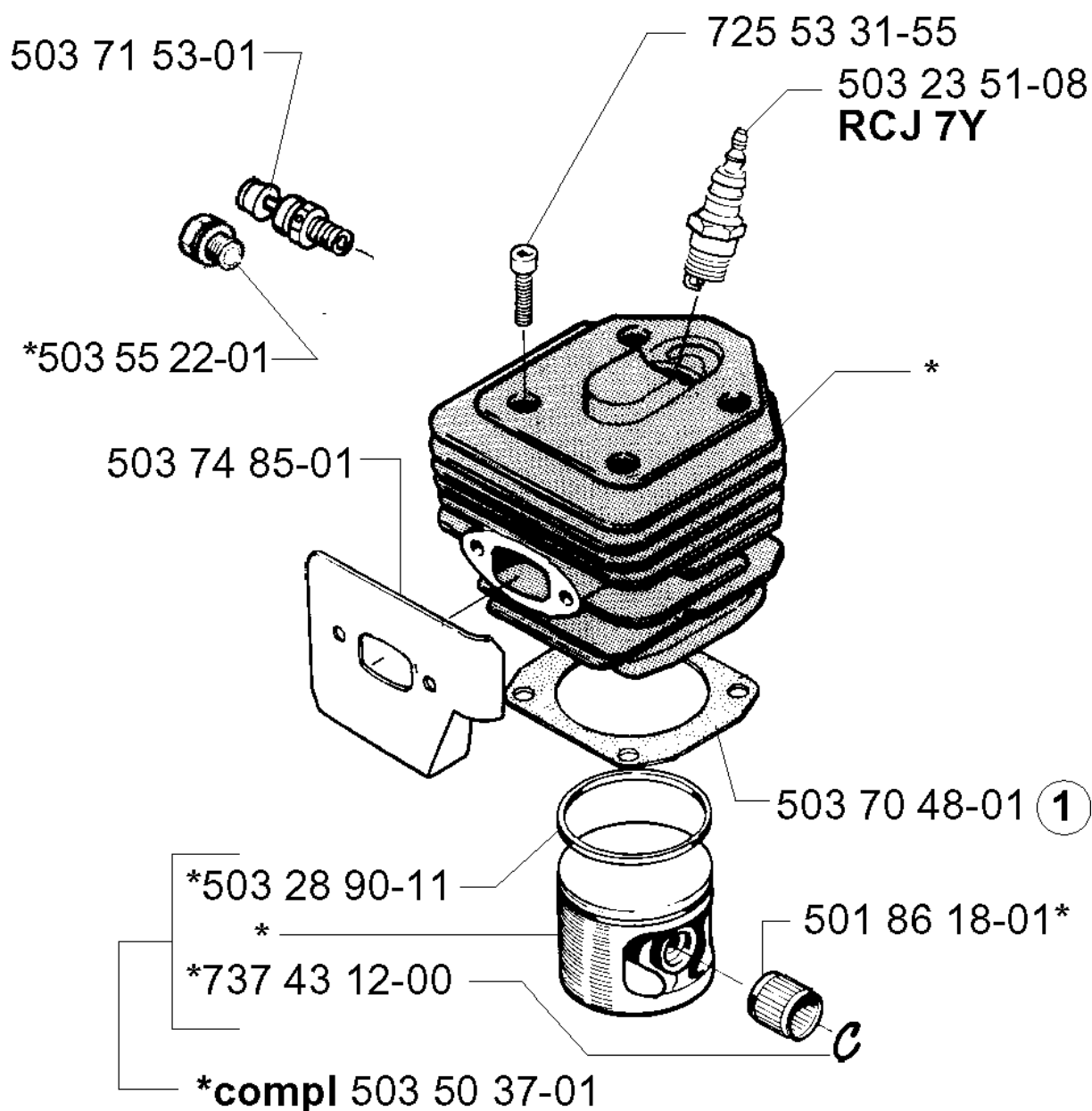


COVER

254, 20013500001-Current

Part No	Description	Remark	QTY KIT
501 51 54-01	SUPPORT		1
501 86 95-08	CYLINDER COVER ASSY		1
503 20 32-28	SCREW		1
503 51 43-01	COVER LID		1
503 98 74-01	LABEL		1

C *compl 503 50 39-03

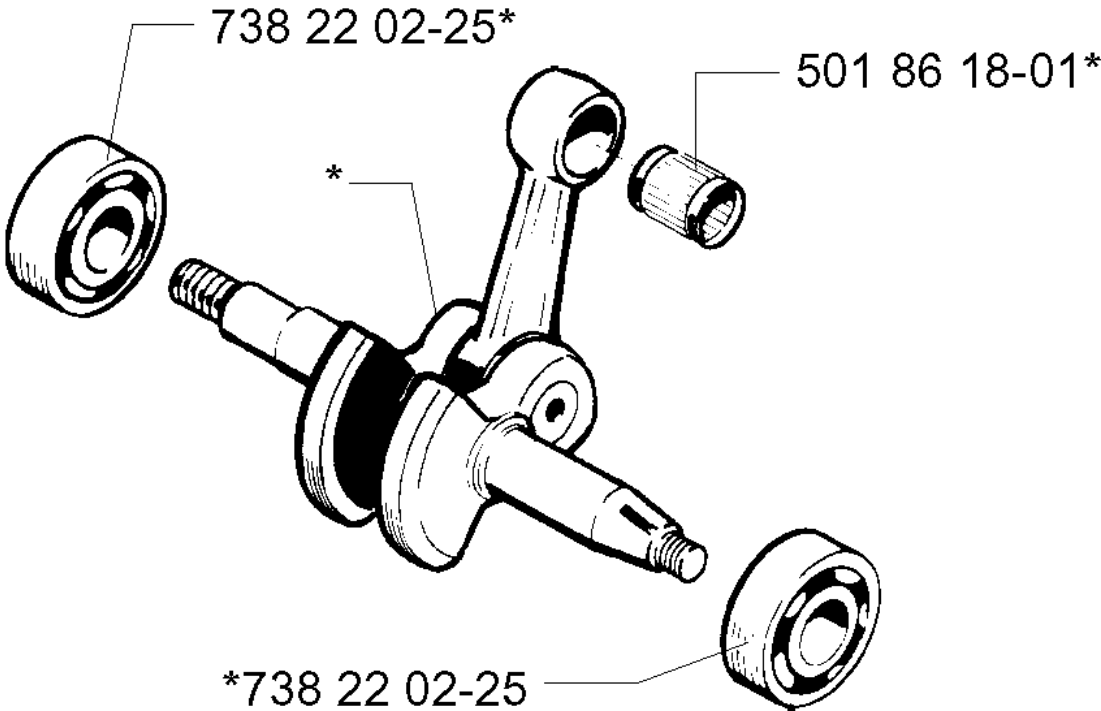


CYLINDER PISTON

254, 20013500001-Current

Part No	Description	Remark	QTY KIT
501 86 18-01	NEEDLE BEARING		1
503 23 51-08	SPARK PLUG	RCJ 7Y	1
503 28 90-11	PISTON RING		1
503 50 37-01	PISTON ASSY		1
503 50 39-03	CYLINDER ASSY		1
503 55 22-01	PLUG		1
503 70 48-01	GASKET		1
503 71 53-01	DECOMPRESSION VALVE		1
503 74 85-01	HEAT DEFLECTOR		1
725 53 31-55	SCREW IHSCM		1
737 43 12-00	SNAP RING		1

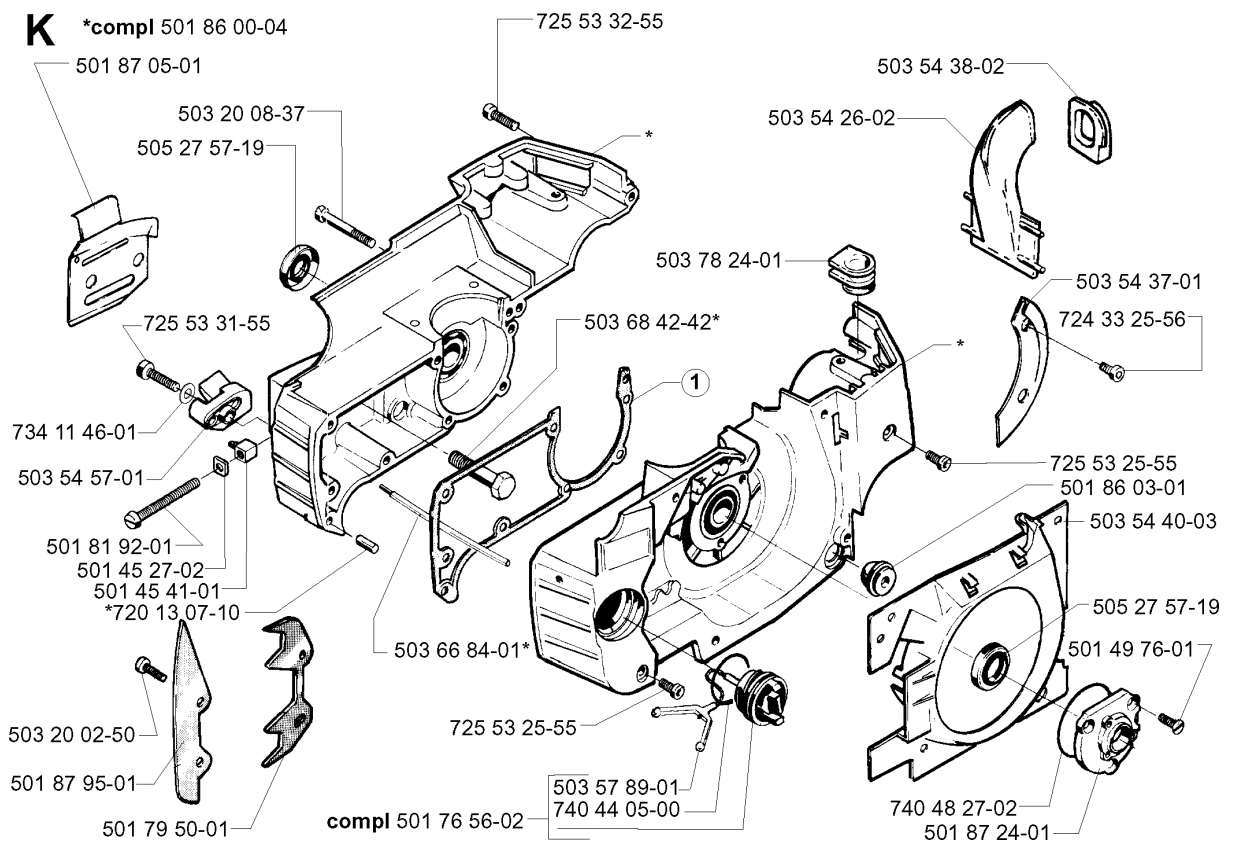
G *compl 506 18 23-71



CRANKSHAFT

254, 20013500001-Current

Part No	Description	Remark	QTY KIT
501 86 18-01	NEEDLE BEARING		1
506 18 23-71	CRANKSHAFT ASSY		1
738 22 02-25	BALL BEARING		1
738 22 02-25	BALL BEARING		1

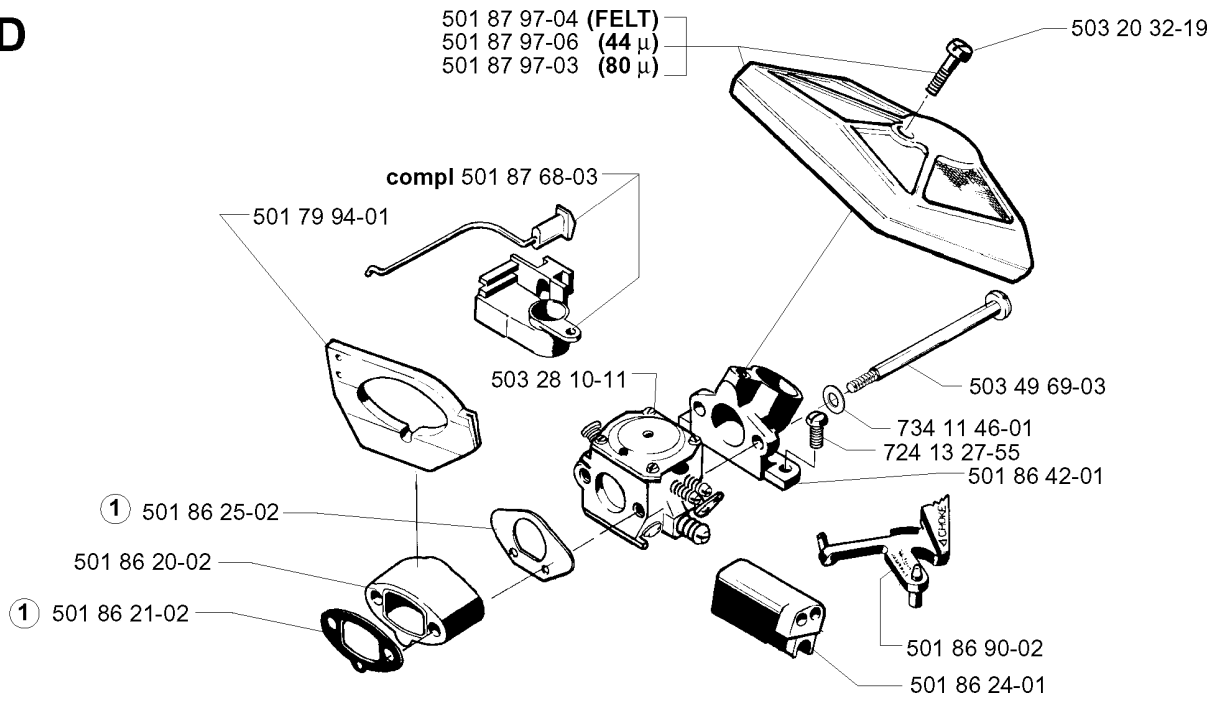


CRANKCASE

254, 2001350001-Current

Part No	Description	Remark	QTY KIT
501 45 27-02	LOCK NUT		1
501 45 41-01	NUT		1
501 49 76-01	SCREW		1
501 76 56-02	TANK CAP ASSY		1
501 79 50-01	SPIKE		1
501 81 92-01	SCREW		1
501 86 00-04	CRANKCASE ASSY		1
501 86 03-01	BUFFER		1
501 87 05-01	CHAIN GUIDE PLATE		1
501 87 24-01	HOLDER		1
501 87 95-01	SPIKE		1
503 20 02-50	SCREW IHSCFM		1
503 20 08-37	SCREW IHSCM		1
503 54 26-02	AIR NOZZLE		1
503 54 37-01	AIR CONDUCTOR		1
503 54 38-02	GROMMET		1
503 54 40-03	AIR CONDUCTOR		1
503 54 57-01	CHAIN CATCHER		1
503 57 89-01	HOLDER		1
503 66 84-01	TANK VENT ASSY		1
503 68 42-42	BAR BOLT		1
503 78 24-01	GROMMET		1
505 27 57-19	SEALING RING		1
505 27 57-19	SEALING RING		1
720 13 07-10	PARALLEL PIN		1
724 33 25-56	SCREW CRCSFM		1
725 53 25-55	SCREW IHSCM		1
725 53 25-55	SCREW IHSCM		1
725 53 31-55	SCREW IHSCM		1
725 53 32-55	SCREW		1
734 11 46-01	WASHER		1
740 44 05-00	O-RING		1
740 48 27-02	O-RING		1

D



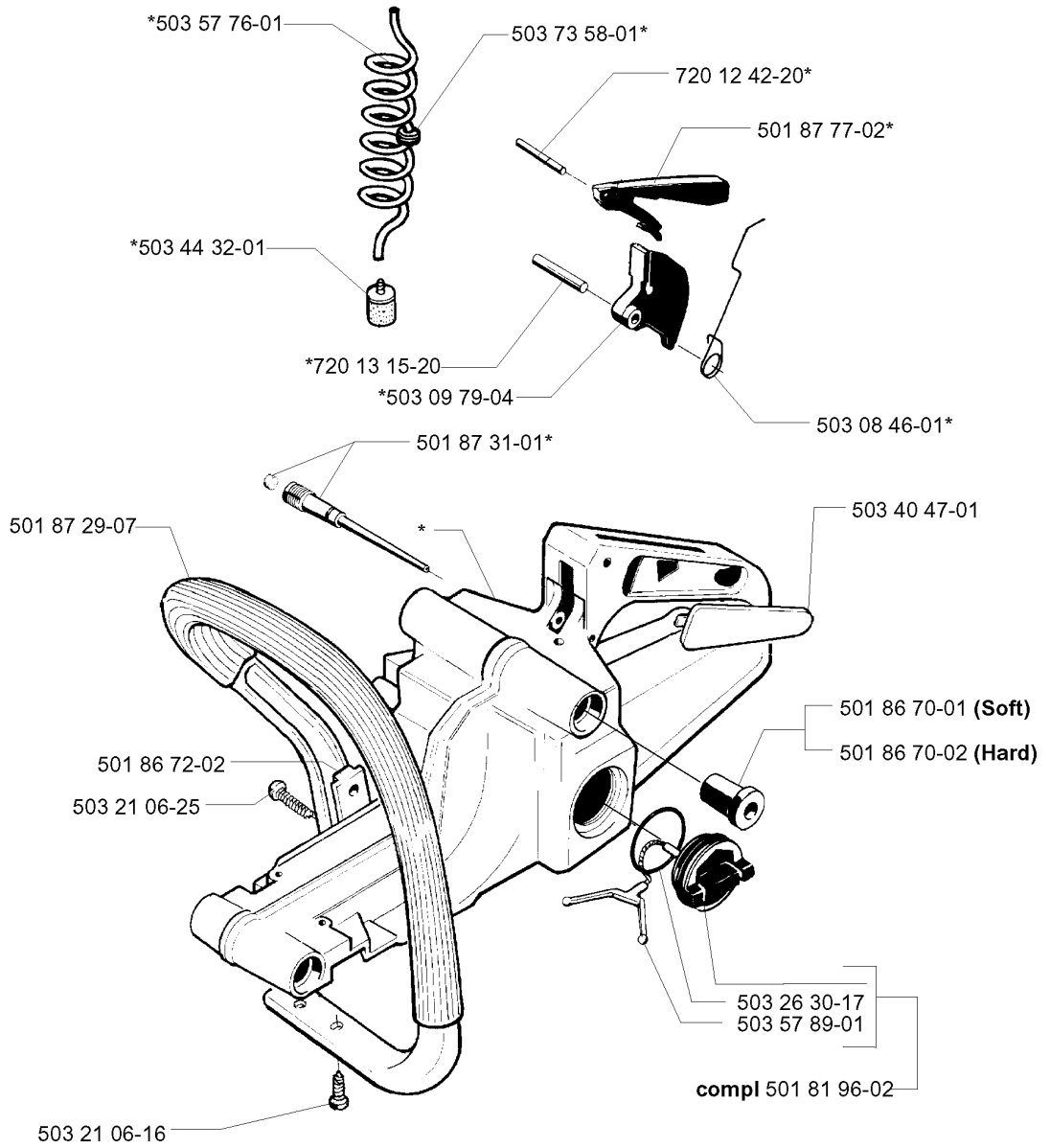
CARBURETOR & AIR FILTER

254, 20013500001-Current

Part No	Description	Remark	QTY KIT
501 79 94-01	SEALING COLLAR		1
501 86 20-02	MANIFOLD		1
501 86 21-02	GASKET		1
501 86 24-01	GUIDE BUSHING		1
501 86 25-02	GASKET		1
501 86 42-01	AIR FILTER HOLDER		1
501 86 90-02	CHOKE CONTROL		1
501 87 68-03	THROTTLE ROD		1
501 87 97-03	AIR FILTER ASSY		1
501 87 97-04	AIR FILTER ASSY	FELT	1
501 87 97-06	AIR FILTER ASSY		1
503 20 32-19	SCREW CCRPANMO		1
503 28 10-11	CARBURETTOR		1
503 49 69-03	SCREW CARBURETTOR		1
724 13 27-55	SCREW CRPANM		1
734 11 46-01	WASHER		1

E

***compl 501 76 13-10**

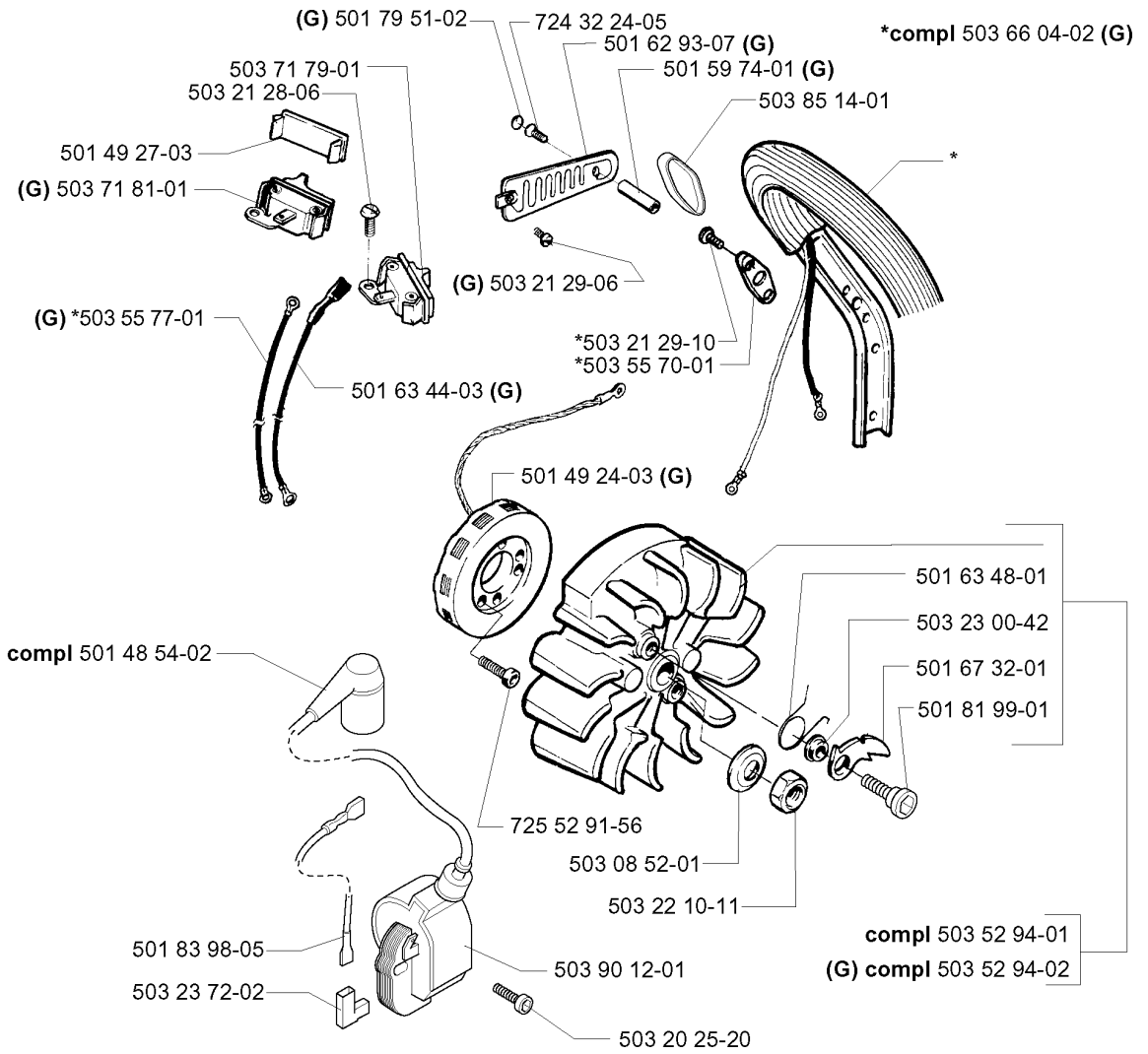


FUEL TANK & HANDLE

254, 20013500001-Current

Part No	Description	Remark	QTY KIT
501 76 13-10	FUEL TANK		1
501 81 96-02	TANK CAP ASSY		1
501 86 70-01	ANTIVIBRATION ELEMENT	SOFT	1
501 86 70-02	ANTIVIBRATION ELEMENT	HARD	1
501 86 72-02	INTERLAYER		1
501 87 29-07	FRONT HANDLE ASSY		1
501 87 31-01	TANK VENT ASSY		1
501 87 77-02	THROTTLE LOCKOUT		1
503 08 46-01	RECOIL SPRING		1
503 09 79-04	THROTTLE LEVER		1
503 21 06-16	SCREW IHSC T		1
503 21 06-25	SCREW IHSC FT		1
503 26 30-17	O-RING		1
503 40 47-01	HANDLE INSERT		1
503 44 32-01	FUEL FILTER		1
503 57 76-01	FUEL HOSE		1
503 57 89-01	HOLDER		1
503 73 58-01	BUSHING		1
720 12 42-20	PARALLEL PIN		1
720 13 15-20	PARALLEL PIN		1

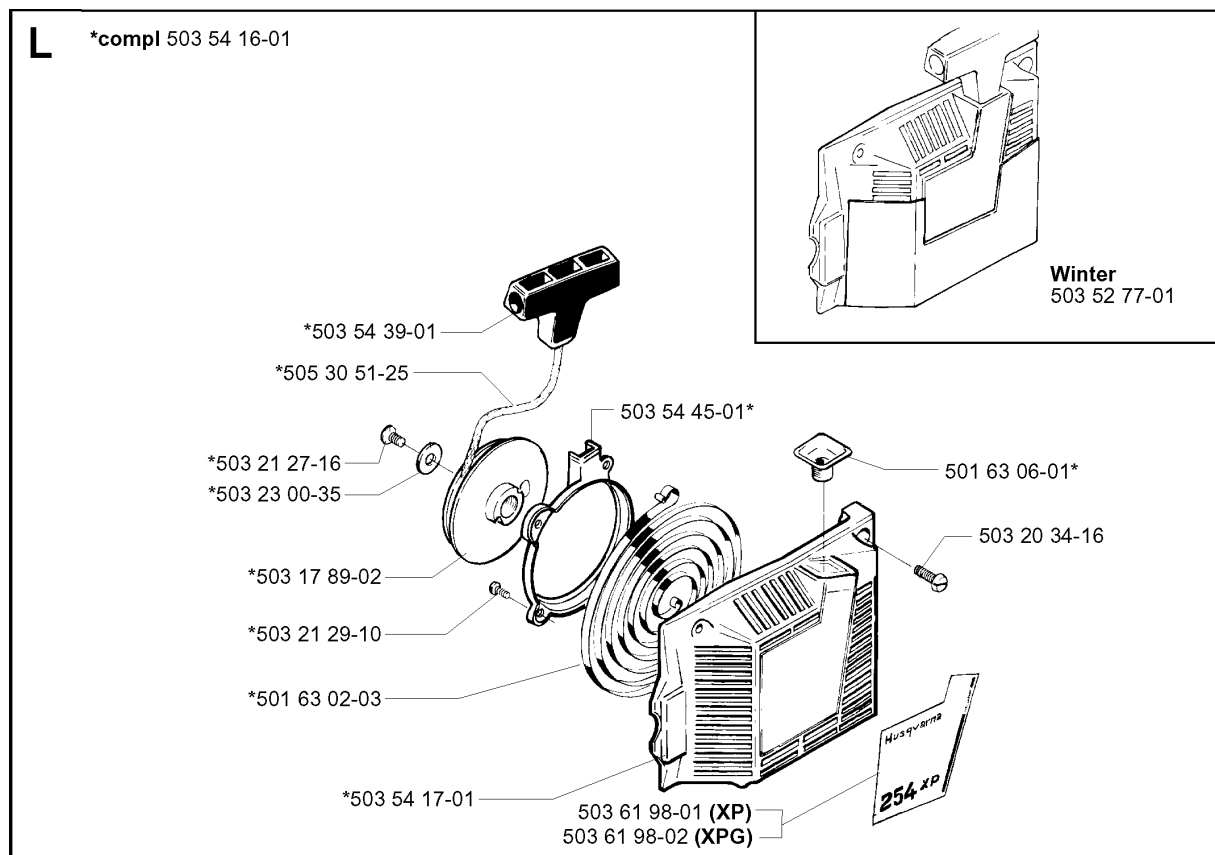
H



ELECTRICAL

254, 20013500001-Current

Part No	Description	Remark	QTY KIT
501 48 54-02	SPARK PLUG CAP		1
501 49 24-03	GENERATOR	G	1
501 49 27-03	COVER		1
501 59 74-01	SPACER	G	1
501 62 93-07	HANDLE INSERT	G	1
501 63 44-03	CABLE	G	1
501 63 48-01	SPRING		1
501 67 32-01	PAWL		1
501 79 51-02	COVER WASHER	G	1
501 81 99-01	SCREW		1
501 83 98-05	CABLE		1
503 08 52-01	WASHER		1
503 20 25-20	SCREW IHSCM		1
503 21 28-06	SCREW CCRPANT		1
503 21 29-06	SCREW CCRPANT	G	1
503 21 29-10	SCREW CCRPANT		1
503 22 10-11	HEXAGON NUT		1
503 23 00-42	WASHER		1
503 23 72-02	INSULATING CAP		1
503 52 94-01	FLYWHEEL ASSY		1
503 52 94-02	FLYWHEEL ASSY	G	1
503 55 70-01	JUNCTION BOX		1
503 55 77-01	CABLE	G	1
503 66 04-02	FRONT HANDLE	G	1
503 71 79-01	STOP SWITCH		1
503 71 81-01	SWITCH	G	1
503 85 14-01	PROTECTIVE COVER		1
503 90 12-01	ELECTRONIC MODULE		1
724 32 24-05	SCREW CRCSFM		1
725 52 91-56	SCREW IHSCM		1



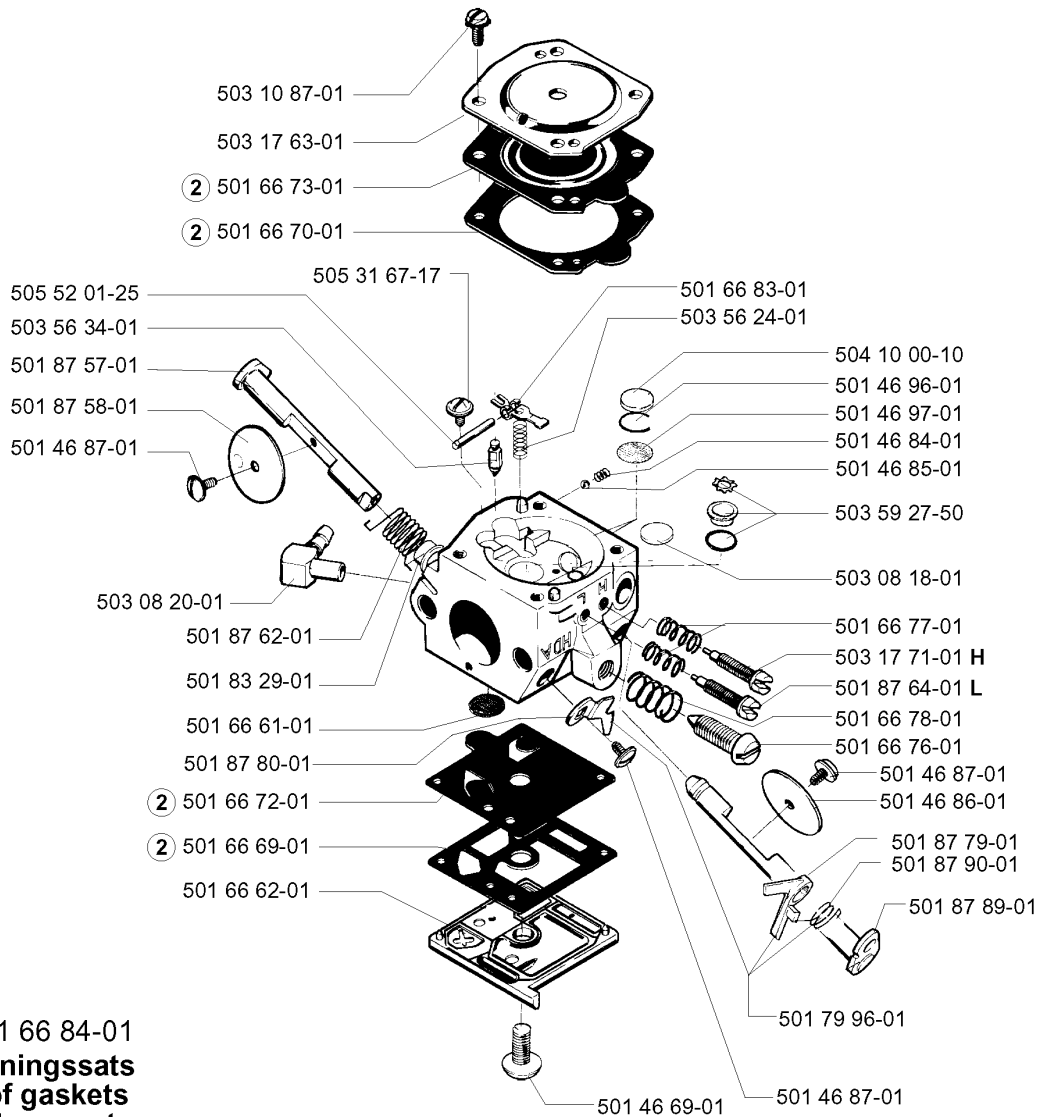
STARTER

254, 20013500001-Current

Part No	Description	Remark	QTY KIT
501 63 02-03	RECOIL SPRING		1
501 63 06-01	SLEEVE		1
503 17 89-02	STARTER PULLEY ASSY		1
503 20 34-16	SCREW CCRPANMO		1
503 21 27-16	SCREW CRPANT		1
503 21 29-10	SCREW CCRPANT		1
503 23 00-35	WASHER		1
503 52 77-01	WINTER COVER ASSY	WINTER	1
503 54 16-01	STARTER		1
503 54 17-01	STARTER		1
503 54 39-01	STARTER HANDLE		1
503 54 45-01	GUARD RING		1
503 61 98-01	DECAL	XP	1
503 61 98-02	DECAL	XPG	1
505 30 51-25	STARTER CORD		1

M compl 503 28 10-11

Walbro HDA-35B



② 501 66 84-01
Packningssats
Set of gaskets
Dichtungssatz
Jeu de joints
Juego de juntas

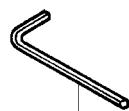
STARTER

254, 20013500001-Current

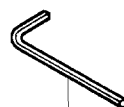
Ref	Part No	Description	Remark	QTY KIT
503 28 10-11	503 28 10-11	CARBURETTOR		1
503 10 87-01	503 10 87-01	SCREW		1
503 17 63-01	503 17 63-01	COVER		1
501 66 73-01	501 66 73-01	DIAPHRAGM	501 66 84-01 SET OF GASKETS	1
501 66 70-01	501 66 70-01	GASKET	501 66 84-01 SET OF GASKETS	1
505 31 67-17	505 31 67-17	SCREW		1
505 52 01-25	505 52 01-25	PIN		1
503 56 34-01	503 56 34-01	NEEDLE VALVE		1
501 87 57-01	501 87 57-01	SHAFT ASSY		1
501 87 58-01	501 87 58-01	VALVE		1
501 46 87-01	501 46 87-01	SCREW		1
503 08 20-01	503 08 20-01	FITTING		1
501 87 62-01	501 87 62-01	SPRING		1
501 83 29-01	501 83 29-01	BUSHING		1
501 66 61-01	501 66 61-01	SCREEN		1
501 87 80-01	501 87 80-01	STOP-THROTTLE		1
501 66 72-01	501 66 72-01	DIAPHRAGM	501 66 84-01 SET OF GASKETS	1
501 66 84-01	501 66 84-01	GASKET KIT		1
501 66 69-01	501 66 69-01	GASKET	501 66 84-01 SET OF GASKETS	1
501 66 62-01	501 66 62-01	COVER		1
501 46 69-01	501 46 69-01	SCREW		1
501 46 87-01	501 46 87-01	SCREW		1
501 79 96-01	501 79 96-01	KIT		1
501 87 89-01	501 87 89-01	SHAFT ASSY		1
501 87 90-01	501 87 90-01	SPRING		1
501 87 79-01	501 87 79-01	LEVER-FAST IDLE		1
501 46 86-01	501 46 86-01	VALVE		1
501 46 87-01	501 46 87-01	SCREW		1
501 66 76-01	501 66 76-01	IDLE ADJUSTMENT SCREW		1
501 66 78-01	501 66 78-01	SPRING		1
501 87 64-01	501 87 64-01	NEEDLE-IDLE SPEED	L	1
503 17 71-01	503 17 71-01	NEEDLE HIGH SPEED	H	1
501 66 77-01	501 66 77-01	SPRING		1
503 08 18-01	503 08 18-01	PLUG		1
503 59 27-50	503 59 27-50	KIT		1
501 46 85-01	501 46 85-01	BALL		1
501 46 84-01	501 46 84-01	SPRING		1
501 46 97-01	501 46 97-01	SCREEN-CHECK VALVE		1
501 46 96-01	501 46 96-01	RING		1
504 10 00-10	504 10 00-10	PLUG		1
503 56 24-01	503 56 24-01	SPRING		1
501 66 83-01	501 66 83-01	LEVER		1
501 6	501 66 84-01	GASKET KIT		1

N *compl 503 55 85-01

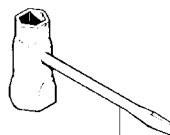
**Tillbehör
Accessories
Zubehöre
Accessoires
Accesorios**



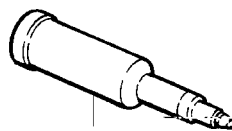
*503 55 86-01 NV 4



*503 55 86-02 NV 5



*501 69 17-01



*501 91 14-01



*503 62 12-01

ACCESSORIES

254, 20013500001-Current

Part No	Description	Remark	QTY KIT
501 69 17-01	COMBINATION WRENCH		1
501 91 14-01	GREASE GUN		1
503 55 85-01	TOOL		1
503 55 86-01	SPANNER	NV 4	1
503 55 86-02	SPANNER	NV 5	1
503 62 12-01	GREASE		1

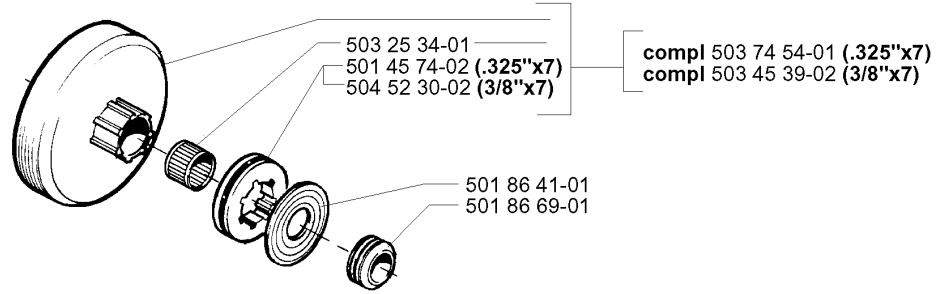
Y



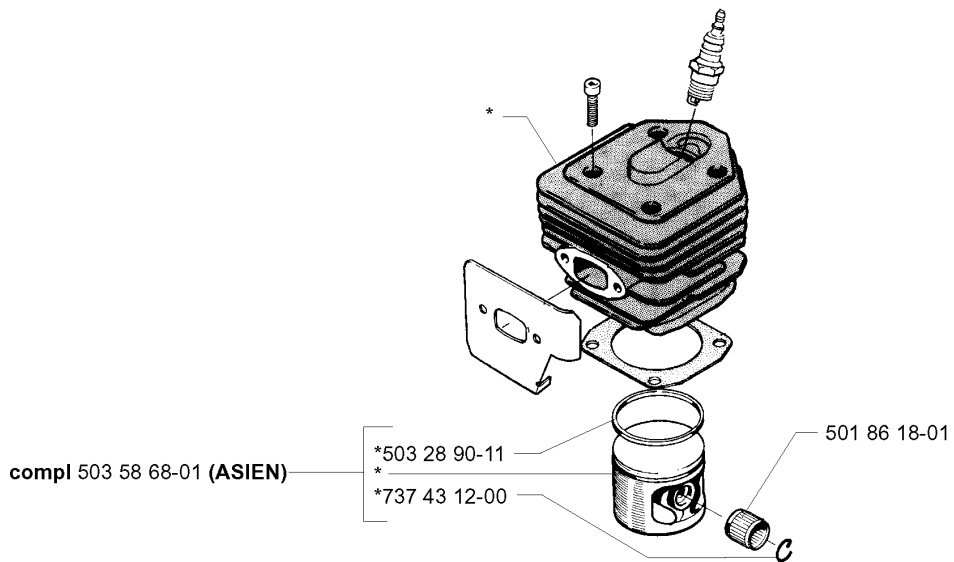
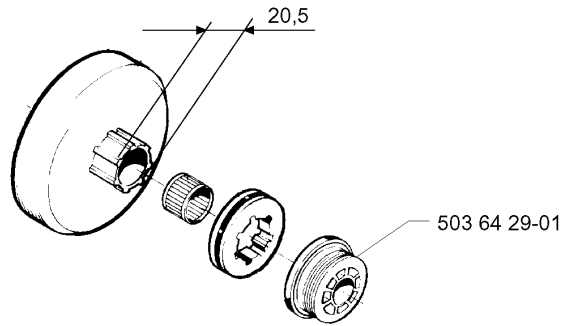
≥ = Up to
Bis
A

Tot
A
T.o.m.

Serial no. ≥ 3450001
(1993)



Serial no. ≥ 4500497
(1994)



SERVICE UPDATES

254, 20013500001-Current

Part No	Description	Remark	QTY KIT
501 45 74-02	RIM	.325X7 SERIAL NO. GREATER THAN OR EQUAL TO 3450001 (1993)	1
501 86 18-01	NEEDLE BEARING		1
501 86 41-01	CHIP GUARD	SERIAL NO. GREATER THAN OR EQUAL TO 3450001 (1993)	1
501 86 69-01	PUMP PINION	SERIAL NO. GREATER THAN OR EQUAL TO 3450001 (1993)	1
503 25 34-01	NEEDLE BEARING	SERIAL NO. GREATER THAN OR EQUAL TO 3450001 (1993)	1
503 28 90-11	PISTON RING		1
503 45 39-02	CLUTCH DRUM ASSY	3/8X7 SERIAL NO. GREATER THAN OR EQUAL TO 3450001 (1993)	1
503 58 68-01	PISTON ASSY		1
503 64 29-01	PUMP PINION		1
503 74 54-01	CLUTCH DRUM ASSY	.325X7 SERIAL NO. GREATER THAN OR EQUAL TO 3450001 (1993)	1
504 52 30-02	RIM	3/8X7 SERIAL NO. GREATER THAN OR EQUAL TO 3450001 (1993)	1
737 43 12-00	SNAP RING		1