



SPARE PARTS LIST

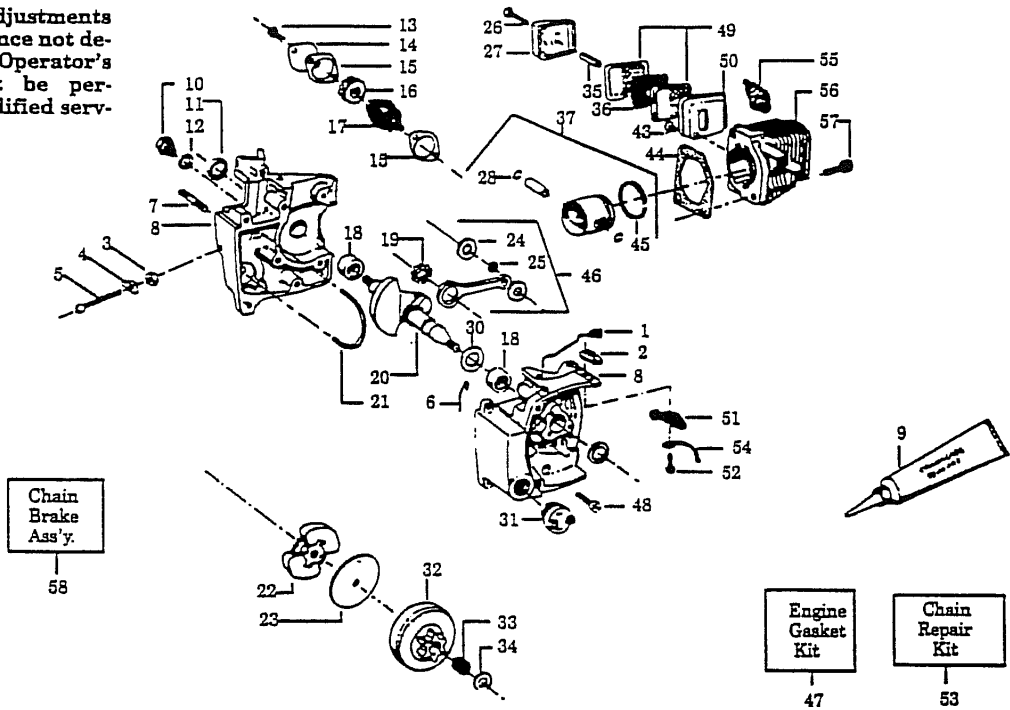
CHAIN SAWS

23 COMPACT, 1993-01

530-081678 - 7/12/93		HUSQVARNA PARTS LIST	CHAIN SAW MODEL: 23 COMPACT
Page No. 1	REPLACES NONE		

Note: Illustrations may differ from actual models due to design changes

⚠ WARNING
All repairs, adjustments and maintenance not described in the Operator's Manual must be performed by qualified service personnel.



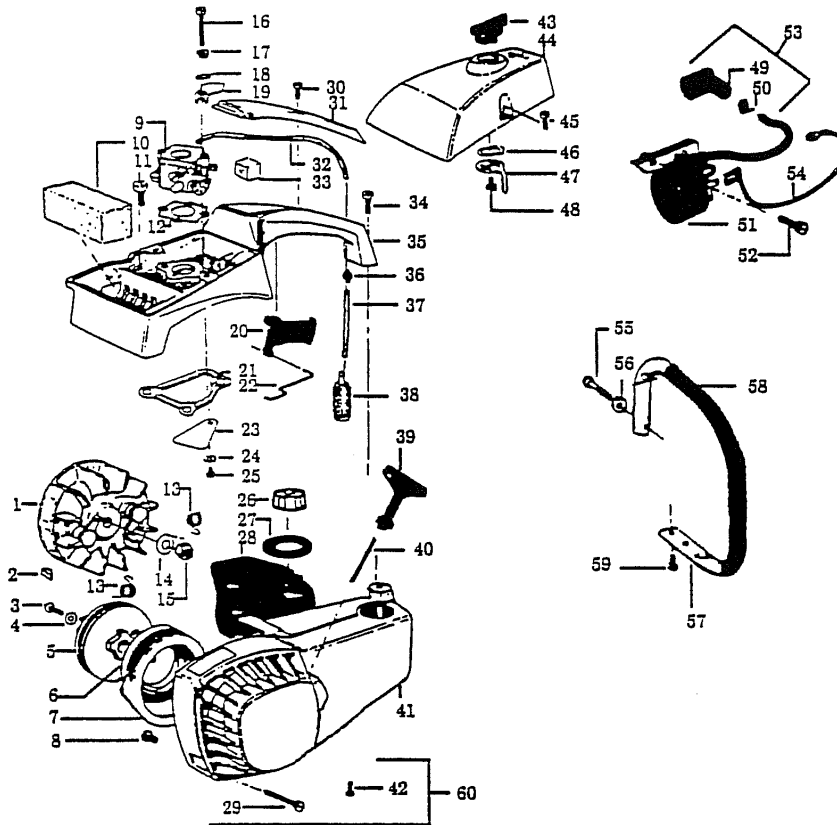
PRODUCT COMPLETE

23 COMPACT, 1993-01

Ref	Part No	Description	Remark	QTY KIT
1	530 02 37-88	KNOB		1
2	530 02 37-86	RAMP-KILLSWITCH		1
3	530 01 51-35	NUT		1
4	530 02 34-92	PEN		1
5	530 01 52-36	SCREW		1
6	530 03 64-50	PIN RETAINING SCREW		1
7	530 01 56-42	STUD		1
8	530 01 47-42	CRANKCASE		1
9	530 03 00-54	SEAL		1
10	530 06 91-42	CHECK VALVE		1
11	530 01 90-59	SEALING RING		1
12	530 01 90-89	SEAL		1
13	530 01 51-76	SCREW		1
14	530 02 38-02	COVER		1
15	530 01 90-91	GASKET		1
16	530 02 38-01	OIL FILTER		1
17	530 01 01-95	PUMPBODY		1
18	530 03 20-29	SUPPORT BUSHING		1
19	530 03 20-65	BEARING		1
20	530 02 21-72	CRANKSHAFT		1
21	530 02 10-26	LINE-OIL DISCHARGE		1
22	530 06 91-93	CLUTCH ASSY		1
23	530 06 91-97	WASHER		1
24	530 01 54-86	SPACER		1
25	530 03 20-75	BEARING		1
26	530 01 51-69	SCREW		1
27	530 02 37-95	MUFFLER COVER		1
28	530 02 38-43	LOCKING RING		1
30	530 02 38-87	WASHER		1
31	530 01 04-44	COVER		1
32	530 06 91-66	CLUTCH DRUM		1
33	530 03 20-79	BEARING		1
34	530 02 35-19	SPACER		1
35	530 02 35-35	SPACER		1
36	530 02 37-96	SCREEN		1
37	530 06 94-51	PISTON KIT		1
43	530 00 16-66	SCREW		1
44	530 01 91-59	CYLINDER GASKET		1
45	530 02 74-82	PISTON RING		1
46	530 01 04-74	CONNECTING ROD ASSY		1
47	530 06 90-22	GASKET KIT		1
48	530 01 59-86	SCREW		1
49	530 02 37-97	EXHAUST OUTLET		1
50	530 02 37-94	BODY-MUFFLER		1
51	530 02 37-87	CLAMP		1
52	530 01 52-35	SCREW		1
53	530 05 20-73	CHAIN REPAIR KIT		1
54	530 03 91-16	SHORT-CIRCUIT LEAD		1
55	530 03 00-05	SPARK PLUG		1
56	530 01 21-72	CYLINDER		1
57	530 01 52-39	SCREW		1
58	530 06 95-59	CHAIN BRAKE		1
530-081677	530 08 16-77	OPERATORS MANUAL		1
530-031146	530 03 11-46	WRENCH		1

530-081678 - 7/12/93		HUSQVARNA PARTS LIST	CHAIN SAW MODEL: 23 COMPACT
Page No. 2	REPLACES NONE		

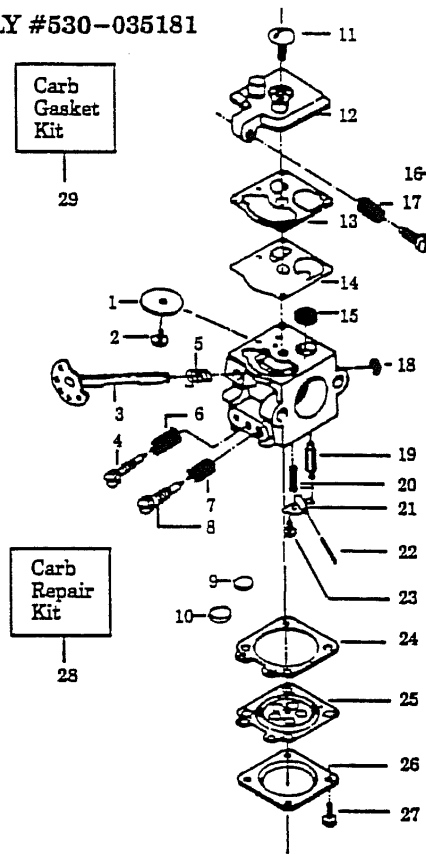
Note: Illustrations may differ from actual models due to design changes



Ref	Part No	Description	Remark	QTY KIT
1	530 03 91-11	FLYWHEEL		1
2	530 01 51-26	KEY		1
3	530 01 50-36	SCREW		1
4	530 01 51-23	WASHER		1
5	530 06 92-88	STARTER PULLEY		1
6	530 04 20-23	SPRING		1
7	530 02 54-87	AIR INTAKE		1
8	530 00 17-26	SCREW		1
9	530 03 51-81	CARBURETTOR		1
10	530 02 37-91	AIR FILTER		1
11	530 01 52-42	SCREW		1
12	530 01 90-45	GASKET		1
13	530 02 38-17	SPRING		1
14	530 01 51-27	WASHER		1
15	530 62 66-05	NUT		1
16	530 01 52-45	SCREW		1
17	530 02 38-65	SPACER		1
18	530 01 52-54	SPRING		1
19	530 02 38-05	CHOKE FLAP		1
20	530 02 48-03	THROTTLE TRIGGER		1
21	530 01 91-18	GASKET		1
22	530 02 66-06	THROTTLE LINK		1
23	530 02 33-66	REED		1
24	530 02 33-67	WASHER		1
25	530 01 52-41	SCREW		1
26	530 01 07-29	HUB CAP		1
27	530 01 90-93	SEAL		1
28	530 01 07-75	TANK		1
29	530 01 56-49	SCREW		1
30	530 01 52-47	SCREW		1
31	530 02 49-67	COVER		1
32	530 02 10-25	HOSE		1
33	530 02 33-73	SEALING		1
34	530 01 51-41	SCREW		1
35	530 03 69-50	HANDLE		1
36	530 02 38-77	NIPPLE		1
37	530 06 92-16	FUEL HOSE		1
38	530 01 43-62	FILTER		1
39	530 02 67-35	STARTER HANDLE		1
40	530 06 92-32	STARTER ROPE		1
41	530 06 92-81	COVER		1
42	530 01 56-50	SCREW		1
43	530 02 38-07	CHOKE CONTROL		1
45	530 01 51-68	SCREW		1
46	530 01 51-47	WASHER		1
47	530 02 38-06	LEVER-CHOKE		1
48	530 01 54-07	SCREW		1
49	530 00 39-34	SPARK PLUG CONNECTION		1
50	530 00 39-33	CONNECTOR		1
51	530 06 92-02	IGNITION MODULE		1
52	530 01 51-28	SCREW		1
53	530 03 90-82	CABLE		1
54	530 03 91-16	SHORT-CIRCUIT LEAD		1
55	530 01 50-37	SCREW		1
56	530 01 51-51	WASHER		1
57	530 01 09-91	HANDLE		1
58	530 02 78-47	COVERING		1
59	530 01 55-07	SCREW		1
60	530 06 92-86	SCREW SET		1

530-081678 - 7/12/93		HUSQVARNA PARTS LIST	CHAIN SAW MODEL: 23 COMPACT
Page No. 3	REPLACES NONE		

CARBURETOR ASSEMBLY #530-035181



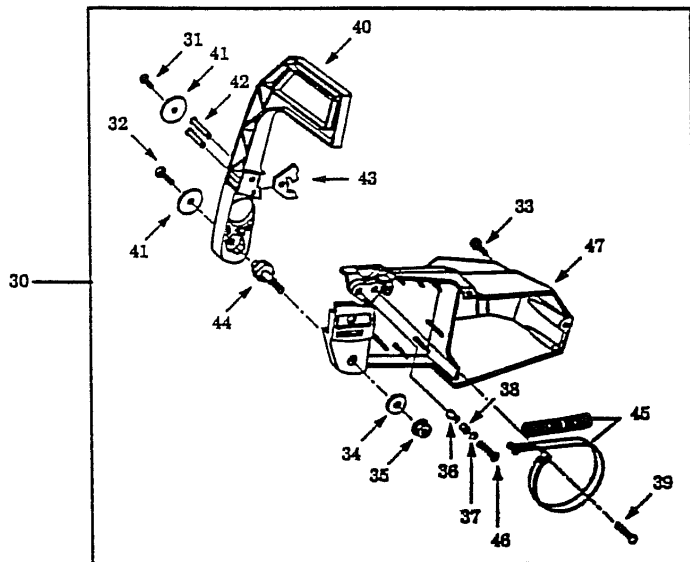
*Indicates Carb. Repair Kit Contents
 +Indicates Carb. Gasket/Diaphragm Contents

CARBURETOR DETAILS

23 COMPACT, 1993-01

Ref	Part No	Description	Remark	QTY KIT
1	530 03 50-06	DROSSELKLAPPE 2000		1
2	530 03 50-15	SCREW		1
3	530 03 50-34	SHAFT ASS'Y-THROTTLE		1
4	530 03 51-71	NEEDLE HIGH SPEED		1
5	530 03 50-24	SPRING		1
6	530 03 50-23	SPRING		1
7	530 03 51-67	SPRING		1
8	530 03 51-69	NEEDLE HIGH SPEED		1
9	530 03 51-62	PLUG		1
10	530 03 51-63	PLUG		1
11	530 03 50-17	SCREW		1
12	530 03 51-59	COVER		1
13	530 03 51-64	GASKET		1
14	530 03 51-66	DIAPHRAGM PUMP		1
15	530 03 50-27	SCREEN		1
16	530 03 50-35	EINSTELLSCHRAUBE 2000		1
17	530 03 51-68	SPRING		1
18	530 03 50-07	RETAINER, THROTTLE NLA		1
19	530 03 51-06	NEEDLE VALVE		1
20	530 03 51-88	SPRING		1
21	530 03 50-31	LEVER		1
22	530 03 50-28	PEN		1
23	530 03 50-16	SCREW		1
24	530 03 51-65	GASKET		1
25	530 03 50-14	STYRMEMBRAN		1
26	530 03 50-03	DIAPHRAGM COVER		1
27	530 03 50-21	SCREW		1
28	530 03 51-61	REPAIR KIT		1
29	530 03 51-73	GASKET SET		1

530-081678 - 7/12/93		HUSQVARNA PARTS LIST	CHAIN SAW MODEL: 23 COMPACT
Page No. 3	REPLACES NONE		



Chain Brake Ass'y. #530-069559

↙ = Part Change

*Indicates Engine Gasket Kit Contents

CHAIN BRAKE

23 COMPACT, 1993-01

Ref	Part No	Description	Remark	QTY KIT
30	530 06 95-59	CHAIN BRAKE		1
31	530 01 54-07	SCREW		1
32	530 01 60-22	SCREW		1
33	530 01 56-23	SCREW		1
34	507 43 38-93	WASHER		1
35	530 01 54-45	NUT		1
36	530 02 58-81	ROLLER		1
37	530 01 55-43	WASHER		1
38	530 02 58-82	SLEEVE		1
39	507 43 38-41	PIN RETAINING SCREW		1
40	530 03 77-62	LEVER		1
41	507 43 38-44	WASHER		1
42	507 43 38-43	PIN RETAINING SCREW		1
43	530 02 53-66	LATCH		1
44	507 43 38-45	PIN RETAINING SCREW		1
45	530 02 41-54	BRAKE BAND		1
46	507 43 38-42	PIN RETAINING SCREW		1
47	530 01 23-33	CLUTCH COVER		1