

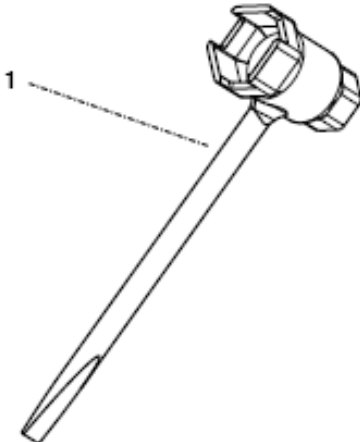


SPARE PARTS LIST

CHAIN SAWS

236 E, 967326501, 967326502,
967787901, 20180500001-Current

P 236, 236e, 240
ACCESSORIES

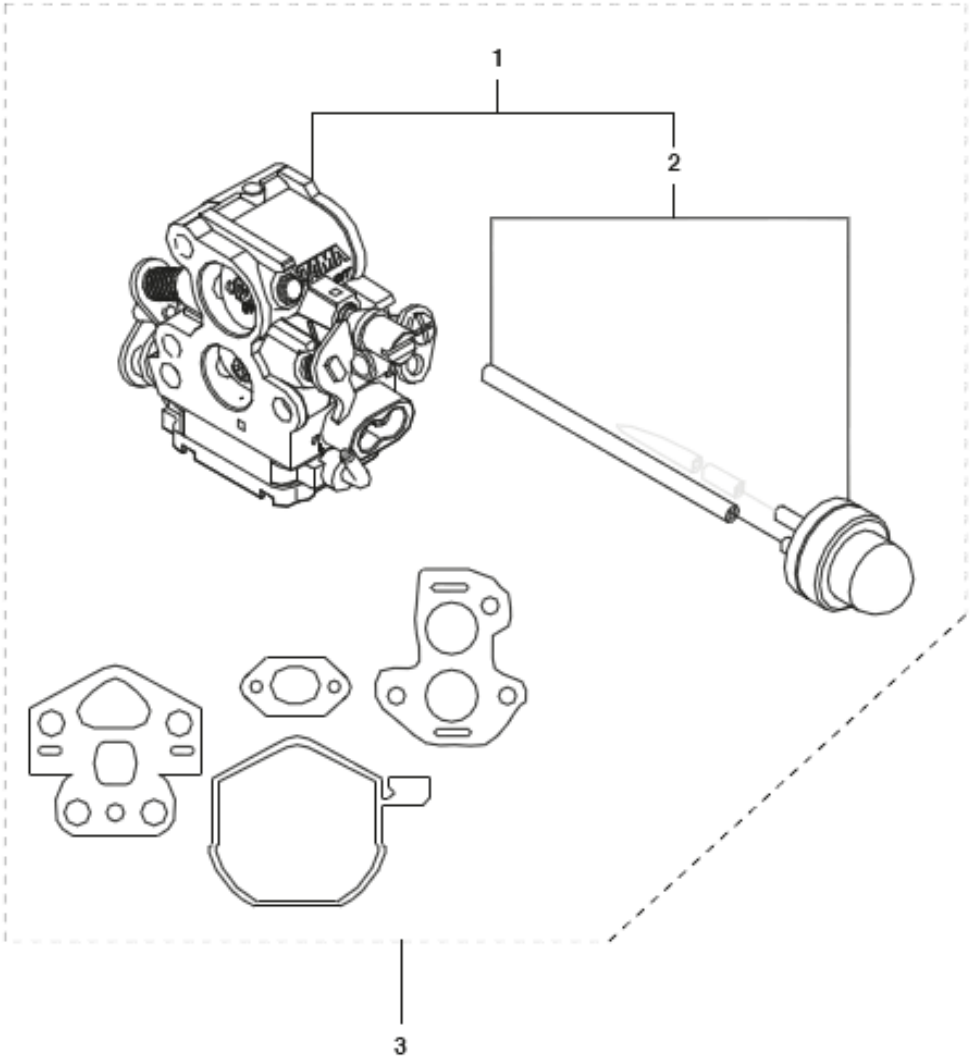


ACCESSORIES

236 E, 967326501, 967326502, 967787901, 20180500001-Current

Ref	Part No	Description	Remark	QTY KIT
1	587 46 54-01	WRENCH		1

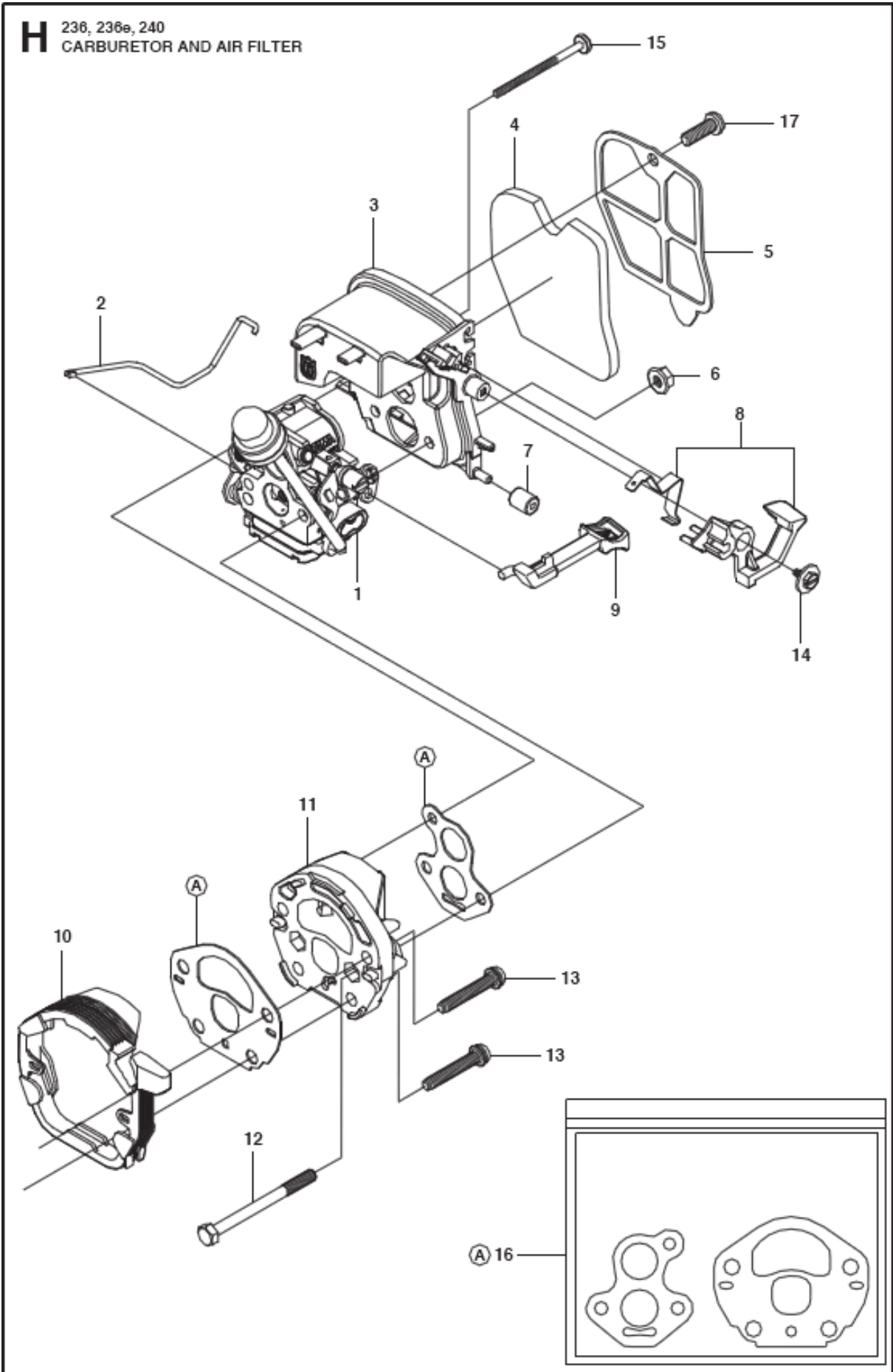
N 236, 236e, 240
CARBURETOR DETAILS



CARBURETOR

236 E, 967326501, 967326502, 967787901, 20180500001-Current

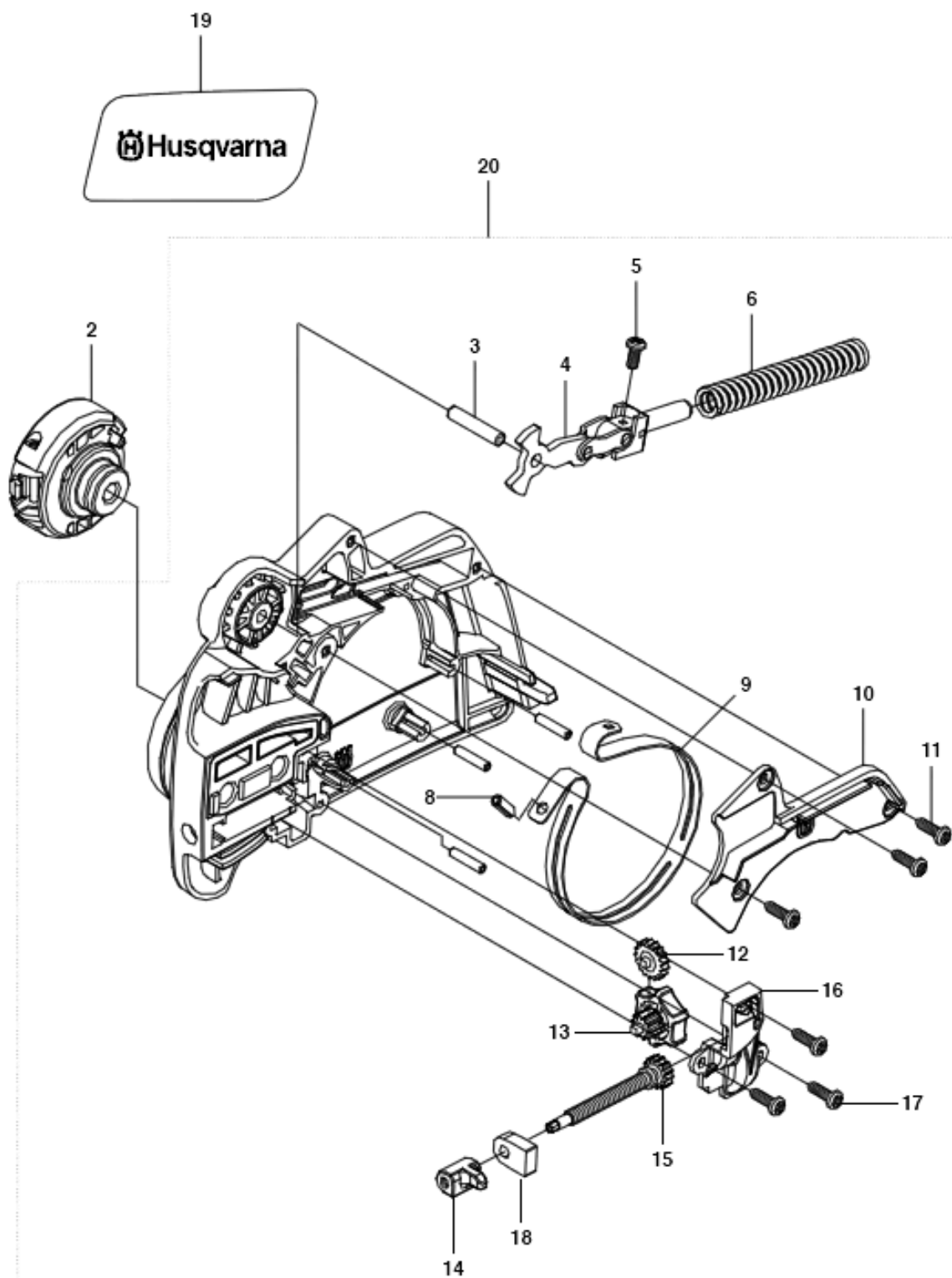
Ref	Part No	Description	Remark	QTY	KIT
1	586 93 62-02	CARBURETTOR		1	
2	545 00 80-30	PURGE AND LINE ASSEMBLY		1	
3	587 60 97-01	KIT	CARBURETOR	1	1,2



CARBURETOR & AIR FILTER 236 E, 967326501, 967326502, 967787901, 20180500001-Current

Ref	Part No	Description	Remark	QTY KIT
1	586 93 62-02	CARBURETTOR		1
2	577 81 52-01	THROTTLE		1
3	575 49 34-01	AIR FILTER	HOUSING	1
4	545 06 18-01	AIR FILTER		1
5	545 15 18-01	FILTER	PLATE	1
6	530 01 61-01	NUT		2
7	545 06 19-01	ISOLATOR		1
8	577 83 07-01	KIT	SWITCH LEVER	1
9	545 06 16-01	CHOKE KNOB		1
10	545 06 15-01	CARB ADAPTOR SEAL		1
11	577 63 65-01	ADAPTOR		1
12	545 03 37-01	STUD-CARBURETOR		2
13	545 15 83-01	CARB ADAPTOR SCREW		4
14	530 01 60-80	SCREW	ROPE RETAINER	1
15	545 07 49-01	TOP STUD-CARBURETOR		1
16	545 08 18-92	GASKET KIT		1
17	530 01 63-49	SCREW		1

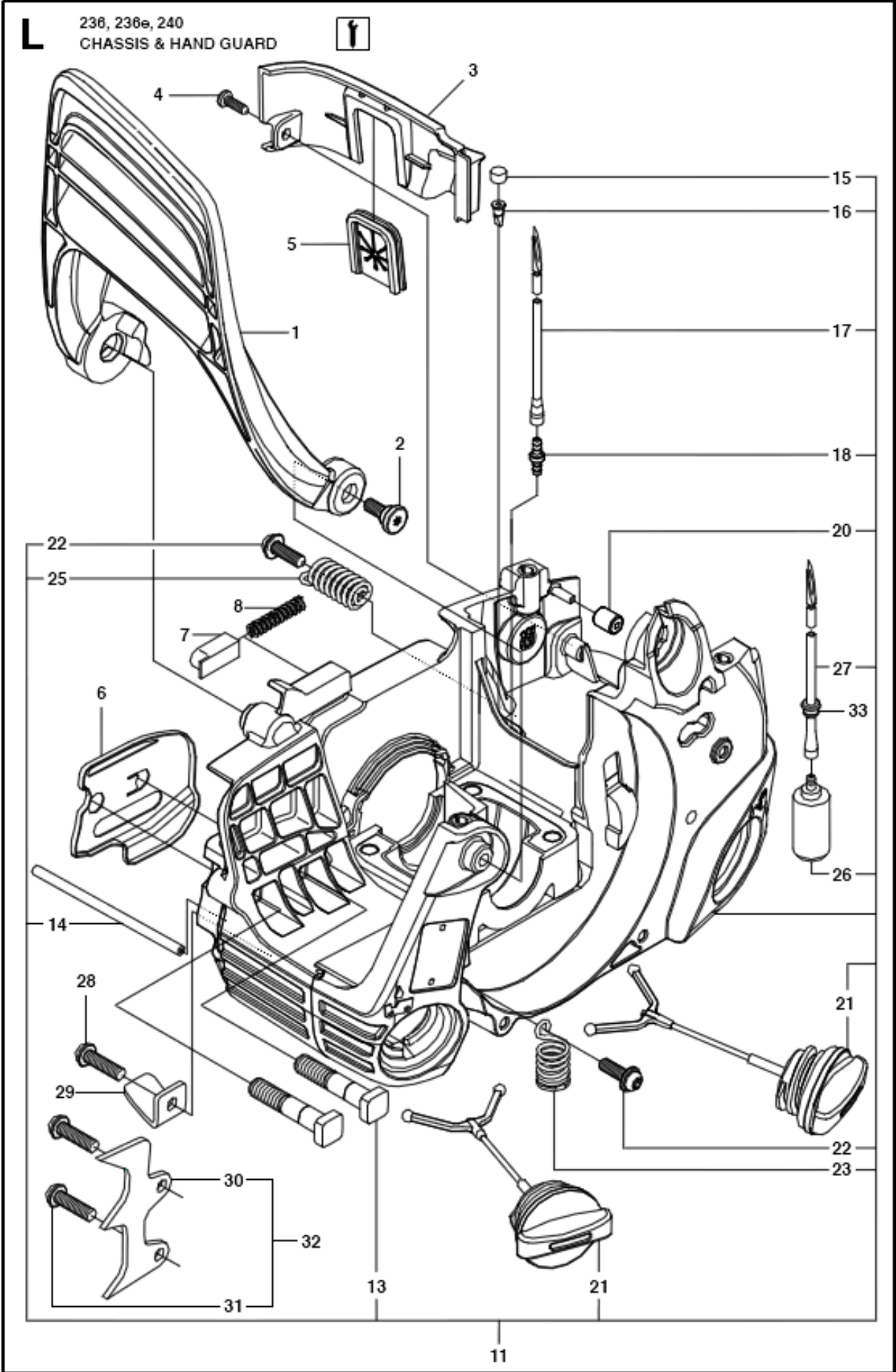
A 236e
CHAIN BRAKE ASSY



CHAIN BRAKE

236 E, 967326501, 967326502, 967787901, 20180500001-Current

Ref	Part No	Description	Remark	QTY	KIT
2	579 07 06-01	KNOB		1	
3	530 05 79-50	PIN. DOWEL		1	20
4	530 05 79-40	ASSY. FRONT LINK		1	20
5	574 78 03-01	SCREW		1	20
6	530 01 64-15	SPRING COMPRESSION		1	20
8	530 01 59-13	PEN		1	20
9	530 05 79-23	BRAKE BAND		1	20
10	525 74 30-01	COVER		1	20
11	545 22 71-01	SCREW		3	20
12	545 06 02-01	GEAR		1	20
13	525 88 42-01	WORM GEAR ASSY		1	20
14	574 20 17-01	PEN		1	20
15	545 06 59-01	ADJUSTER		1	20
16	545 05 92-01	COVER		1	20
17	545 22 71-01	SCREW		3	20
18	525 35 43-01	BEARING SLEEVE		1	20
19	545 11 86-01	DECAL		1	
20	525 61 14-01	CHAIN BRAKE		1	

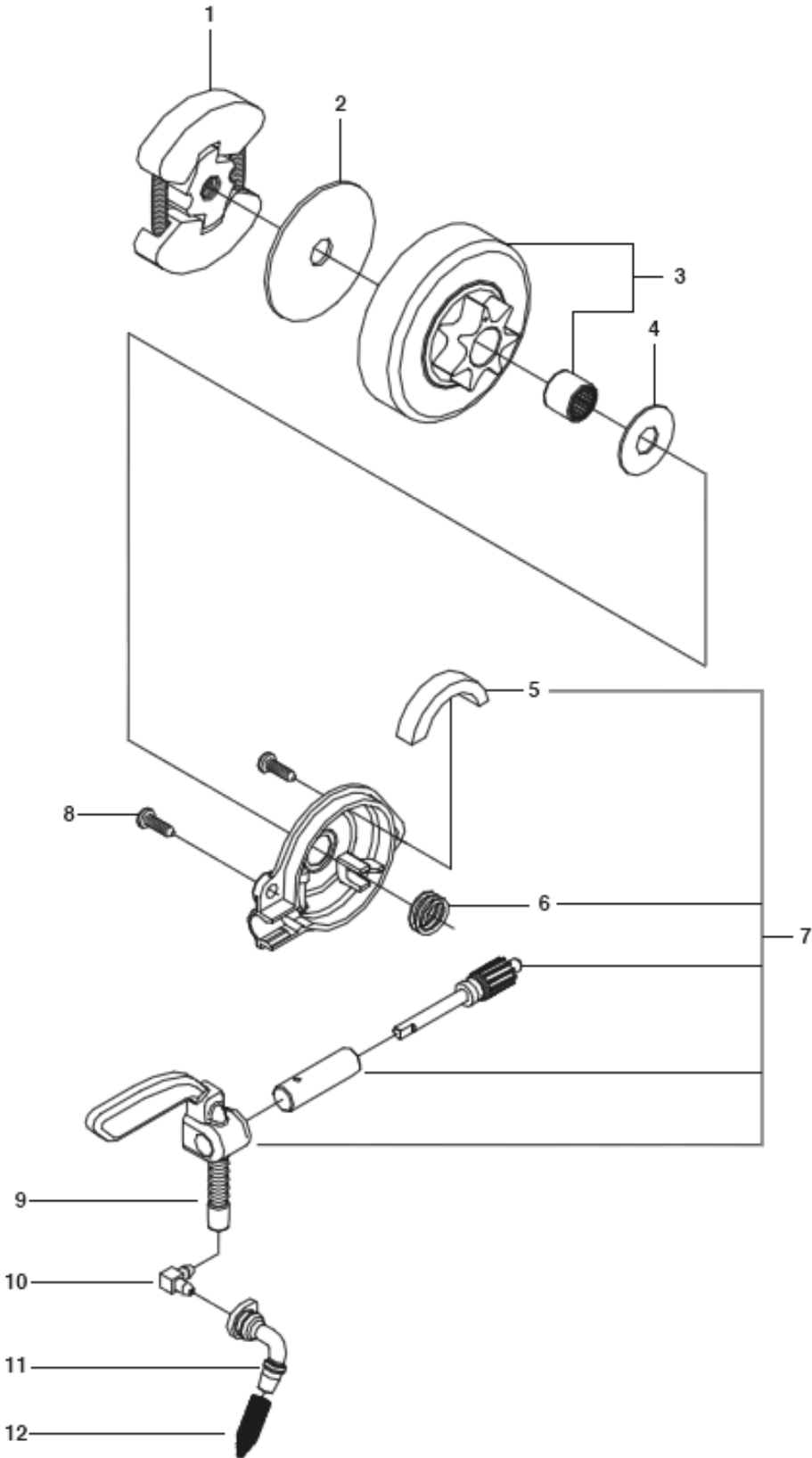


CHASSIS

236 E, 967326501, 967326502, 967787901, 20180500001-Current

Ref	Part No	Description	Remark	QTY	KIT
1	577 61 19-01	HAND GUARD		1	
2	545 12 73-01	BOSS		1	
3	545 06 12-01	REAR WHEEL		1	
4	545 22 71-01	SCREW		1	
5	545 07 54-01	GROMMET		1	
6	545 07 14-01	BAR		1	
7	545 07 13-01	CAP. SPRING HANDGUARD		1	
8	545 07 12-01	SPRING. HANDGUARD POSITION		1	
11	587 02 68-01	CHASSIS		1	13-27
13	529 31 03-01	BOLT		2	
14	580 72 71-01	FUEL HOSE		1	14, 17, 18, 27
15	530 02 98-68	PLUG		1	
16	530 02 61-19	CHECK VALVE		1	
17	580 72 71-01	FUEL HOSE		1	14, 17, 18, 27
18	530 02 38-77	NIPPLE		1	
20	545 06 19-01	ISOLATOR		1	
21	544 11 12-03	TANK CAP ASSY		2	
22	530 01 59-06	SCREW		2	
23	545 03 38-01	ISOLATOR		1	
25	545 06 31-01	SPRING		1	
26	577 16 72-01	FUEL FILTER		1	
27	580 72 71-01	FUEL HOSE		1	14, 17, 18, 27
28	530 01 58-14	SCREW		1	
29	530 02 98-50	CHAIN CATCHER		1	
30	530 03 89-90	FELLING DOG		1	
31	530 01 64-39	SCREW		2	
32	530 01 43-81	FELLING DOG		1	30, 31
33	580 45 75-01	GROMMET		1	

C 236, 236e, 240
CLUTCH AND OIL PUMP

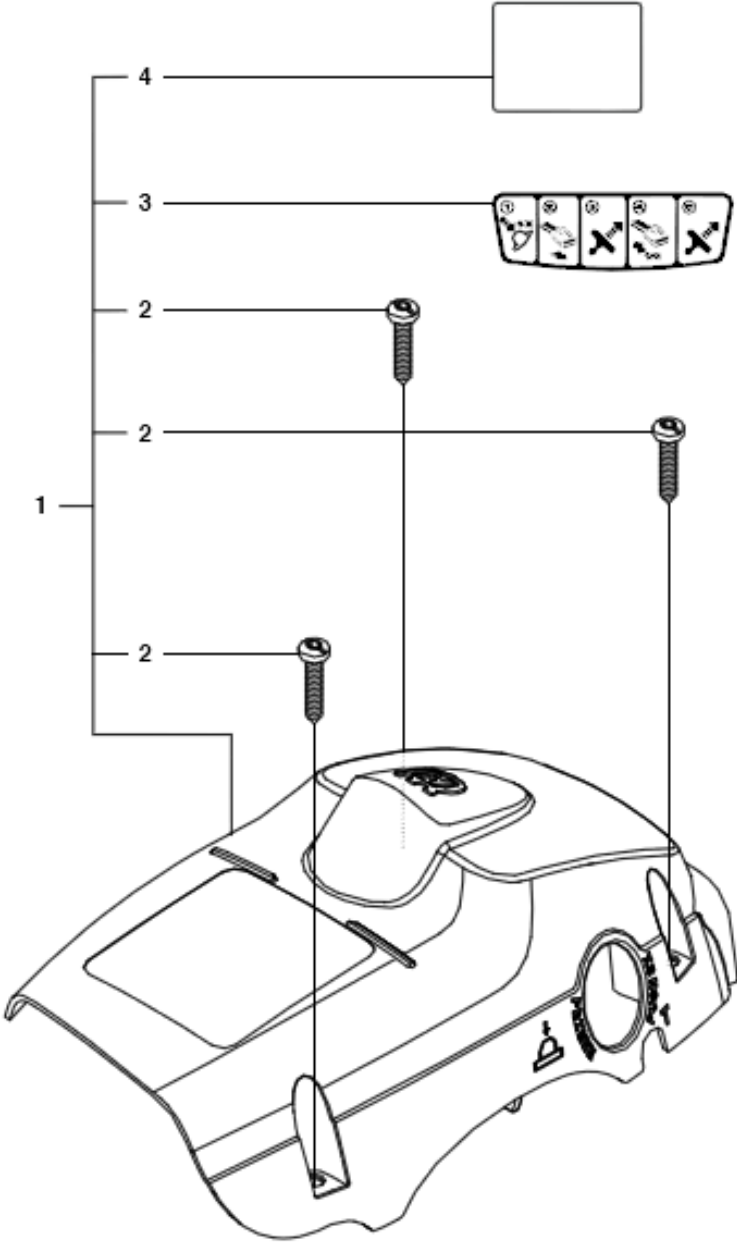


CLUTCH & OIL PUMP

236 E, 967326501, 967326502, 967787901, 20180500001-Current

Ref	Part No	Description	Remark	QTY KIT
1	530 01 49-49	CLUTCH		1
2	530 01 56-11	WASHER		1
3	530 04 70-61	CLUTCH DRUM ASSY		1
4	579 62 15-01	WASHER		1
5	525 31 84-01	DUST SEAL		1
6	530 03 78-20	WORM GEAR		1
7	581 06 39-01	OIL PUMP ASSY		1
8	530 01 60-64	SCREW		1
9	545 22 75-01	BLOCK		1
10	530 04 94-77	ELBOW		1
11	545 06 94-01	SEAL		1
12	530 05 65-33	SCREEN		1

D 236, 236e, 240
COVER

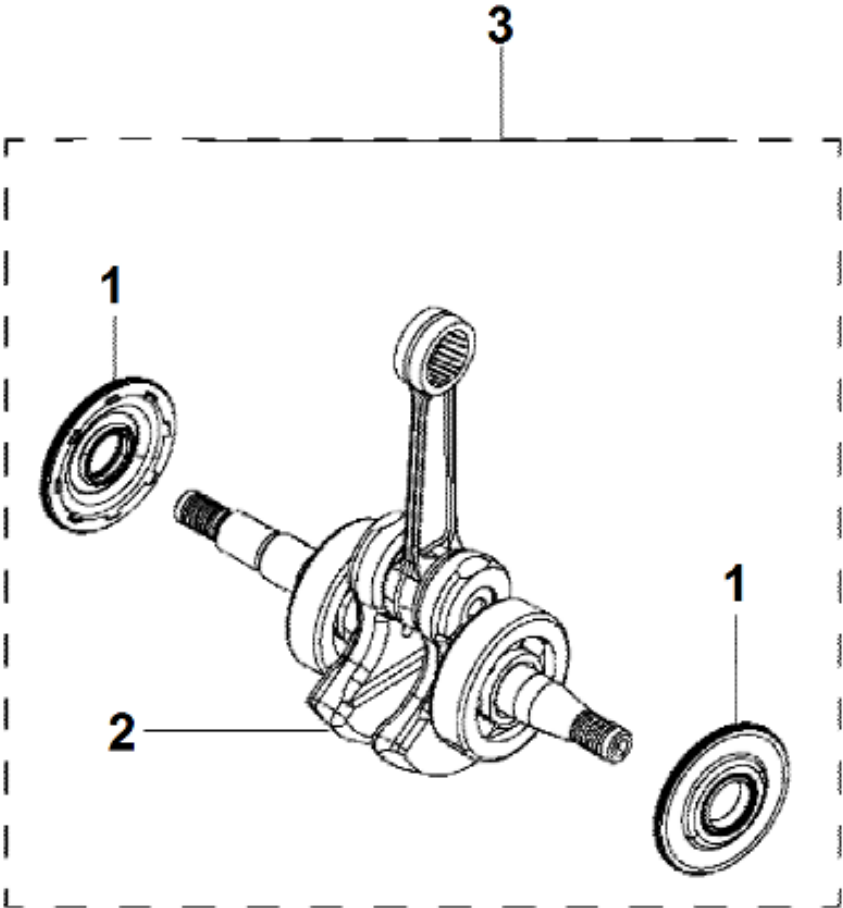


COVER

236 E, 967326501, 967326502, 967787901, 20180500001-Current

Ref	Part No	Description	Remark	QTY	KIT
1	576 54 32-01	KIT		1	
2	574 32 06-01	SCREW		3	1
3	545 11 65-02	DECAL		1	1
4	545 16 59-57	SIGN		1	1

K 236, 236e, 240
CRANKSHAFT

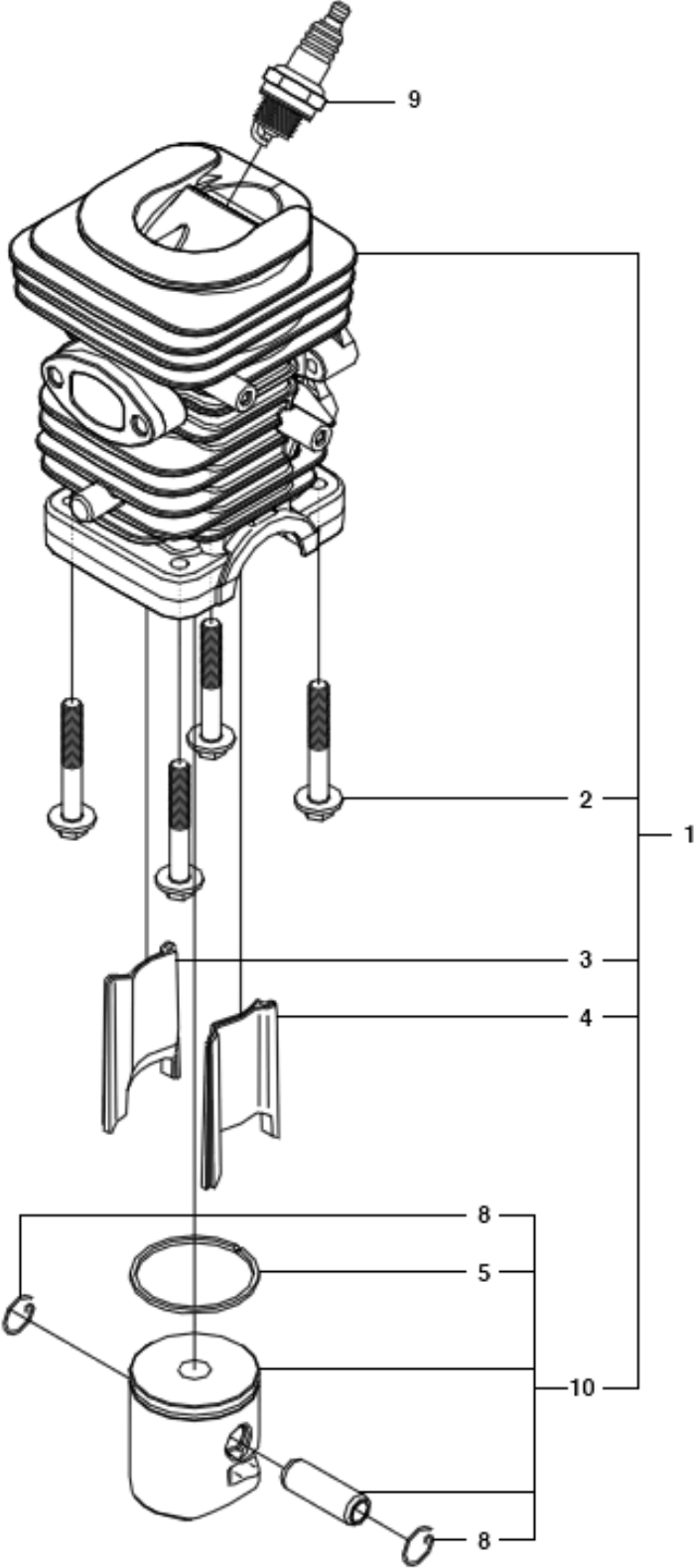


CRANKSHAFT

236 E, 967326501, 967326502, 967787901, 20180500001-Current

Ref	Part No	Description	Remark	QTY	KIT
1	581 60 80-01	SEAL		2	3
2	580 30 27-03	CRANKSHAFT		1	3
3	577 83 08-02	KIT		1	

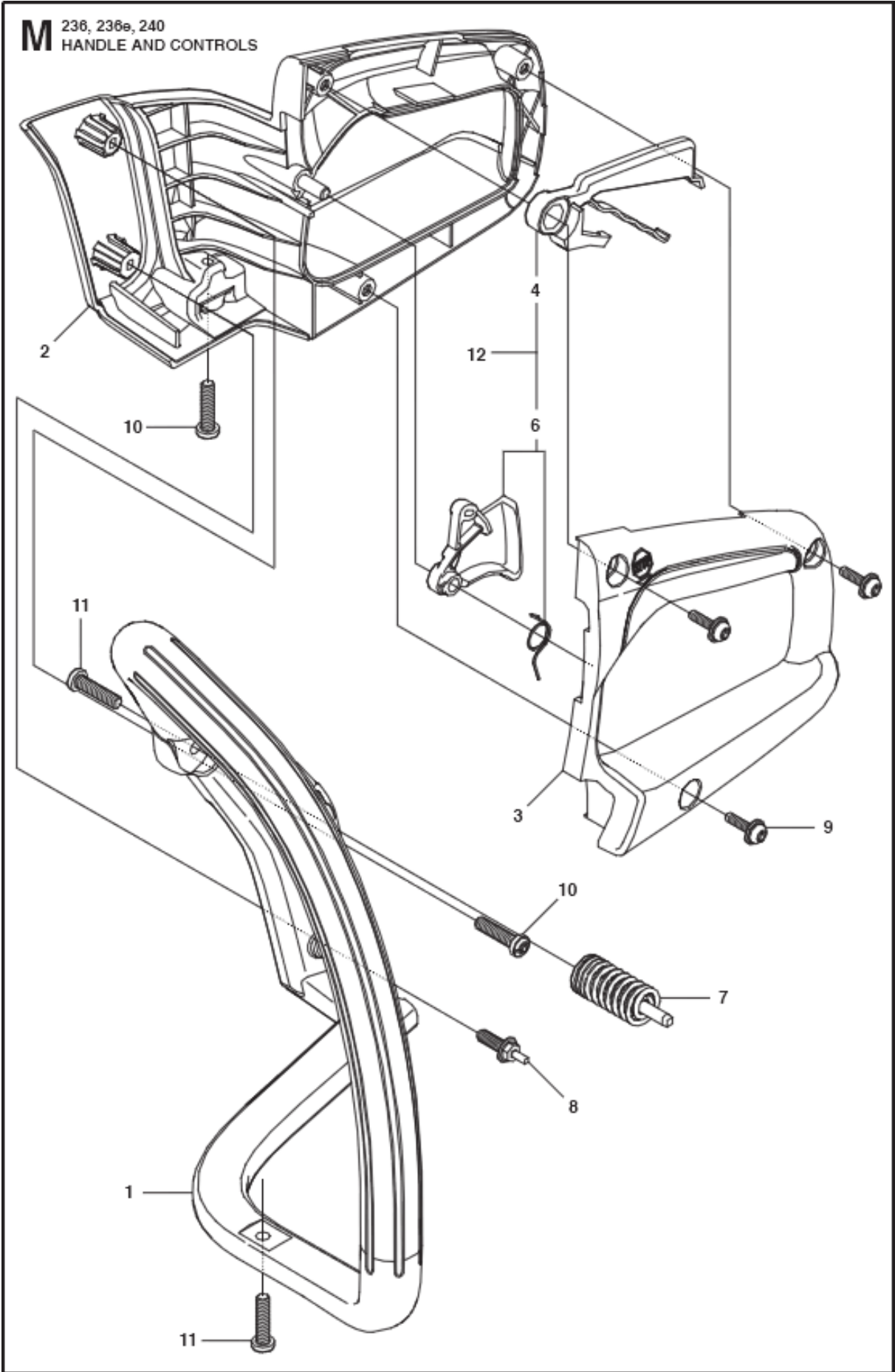
J 236, 236e, 240
CYLINDER PISTON 38CC



CYLINDER PISTON

236 E, 967326501, 967326502, 967787901, 20180500001-Current

Ref	Part No	Description	Remark	QTY KIT
1	577 83 11-02	KIT	PISTON & CYLINDER	1
2	545 08 15-01	BOLT	CYLINDER	4
3	574 19 08-01	INSERT	RIGHT	1
4	574 19 09-01	INSERT	LEFT	1
5	585 04 06-01	PISTON RING		1
8	530 01 56-97	LOCKING RING		2
9	503 23 51-08	SPARK PLUG	RCJ-7Y	1
10	577 83 13-02	KIT	PISTON	1

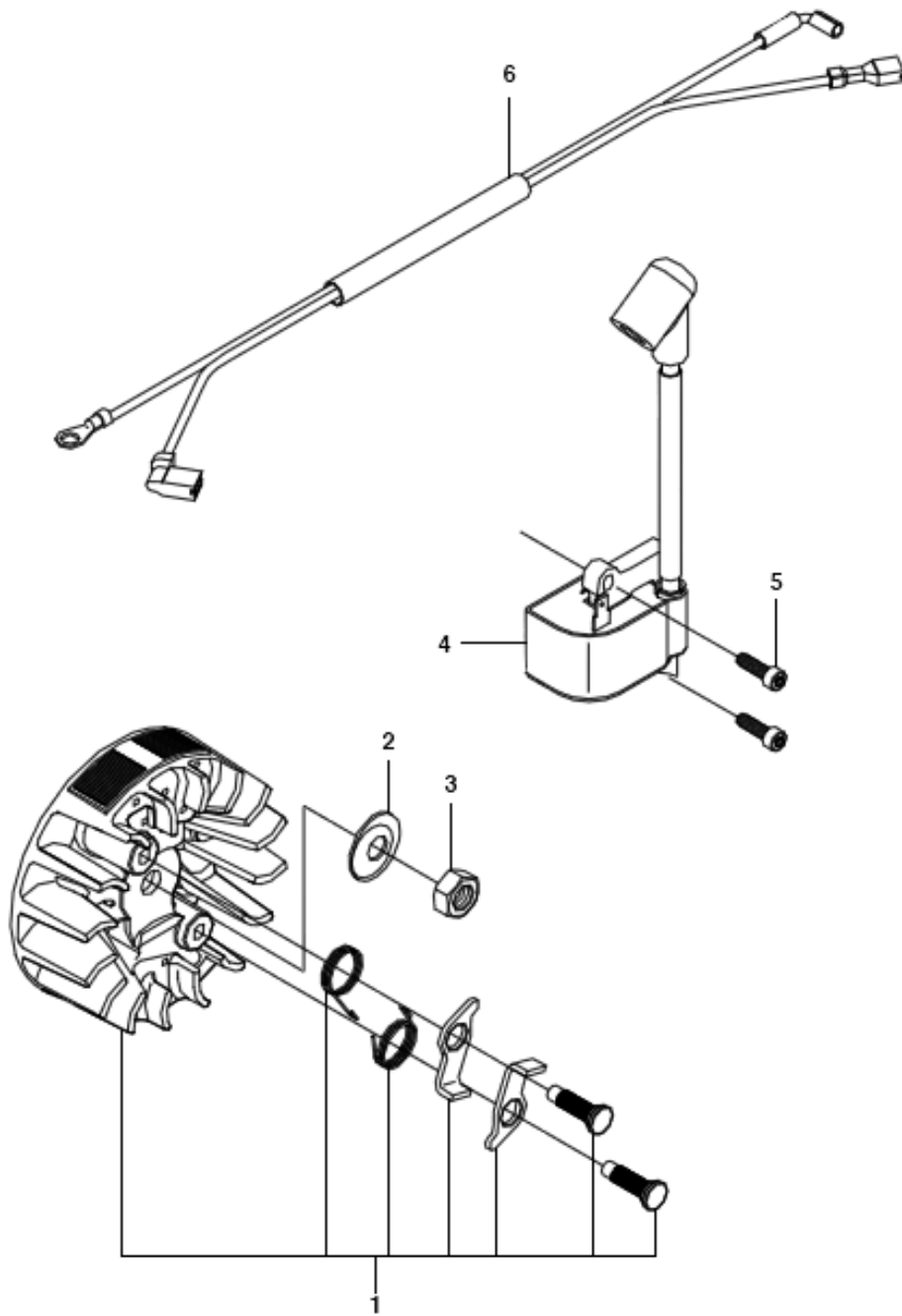


HANDLE & CONTROLS

236 E, 967326501, 967326502, 967787901, 20180500001-Current

Ref	Part No	Description	Remark	QTY	KIT
1	545 06 24-01	FRONT HANDLE		1	
2	545 06 22-02	REAR HANDLE W/OVMLD 240E		1	
2	545 06 22-01	REAR HANDLE		1	
3	545 06 23-02	REAR HANDLE COVER W/OVMLD 240E		1	
3	545 06 23-01	REAR HANDLE COVER 235/235E		1	
4	545 06 26-01	LOCKOUT- THROTTLE		1	12
6	578 24 67-01	TRIGGER		1	12
7	545 03 39-01	ISOLATOR		1	
8	545 07 63-01	ISOLATION LIMITER SCREW		1	
9	530 01 64-33	SCREW		3	
10	530 01 63-49	SCREW		2	
11	530 01 64-32	SCREW		2	
12	578 86 22-01	KIT		1	

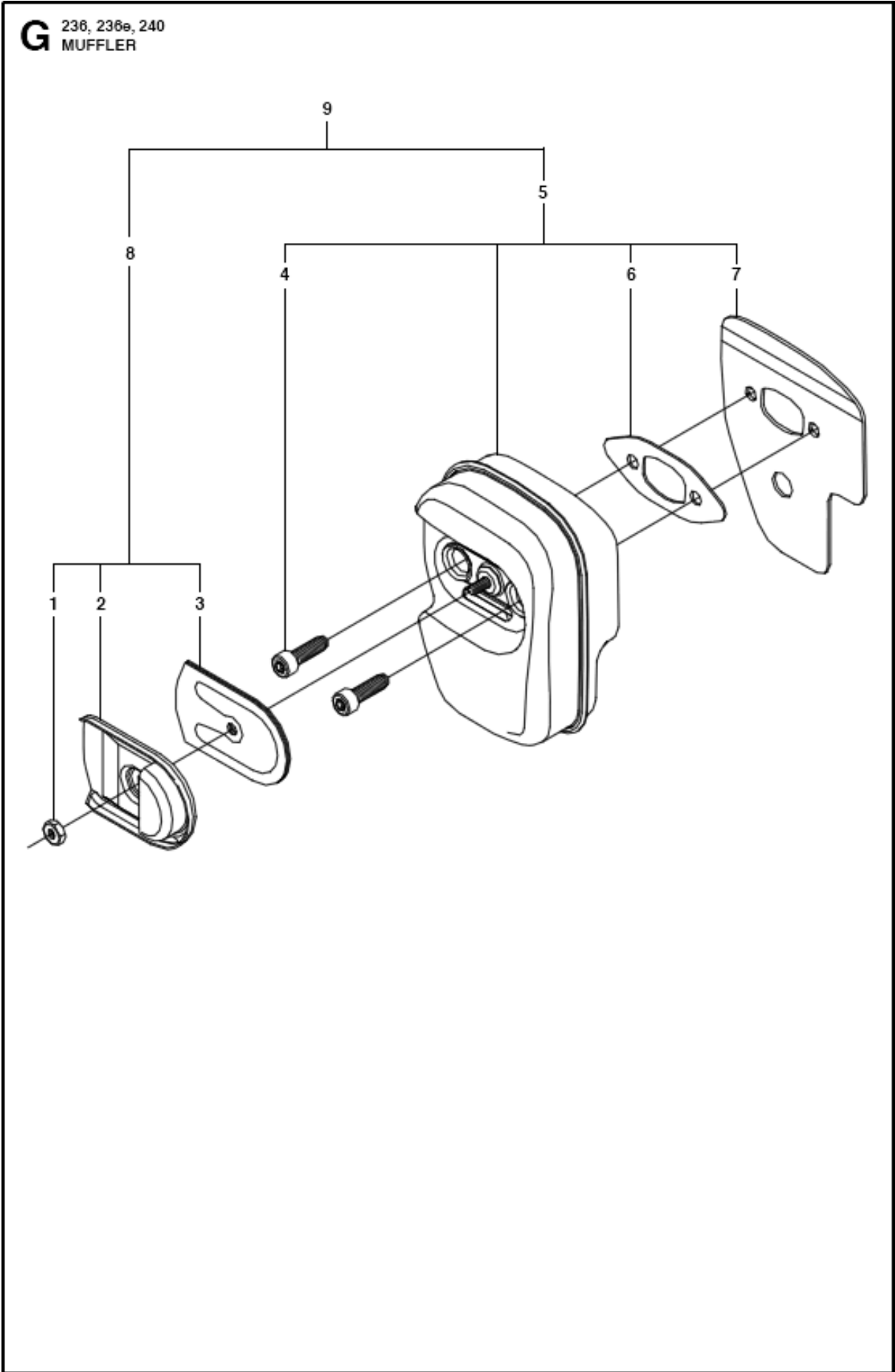
F 236, 236e, 240
IGNITION SYSTEM



IGNITION SYSTEM

236 E, 967326501, 967326502, 967787901, 20180500001-Current

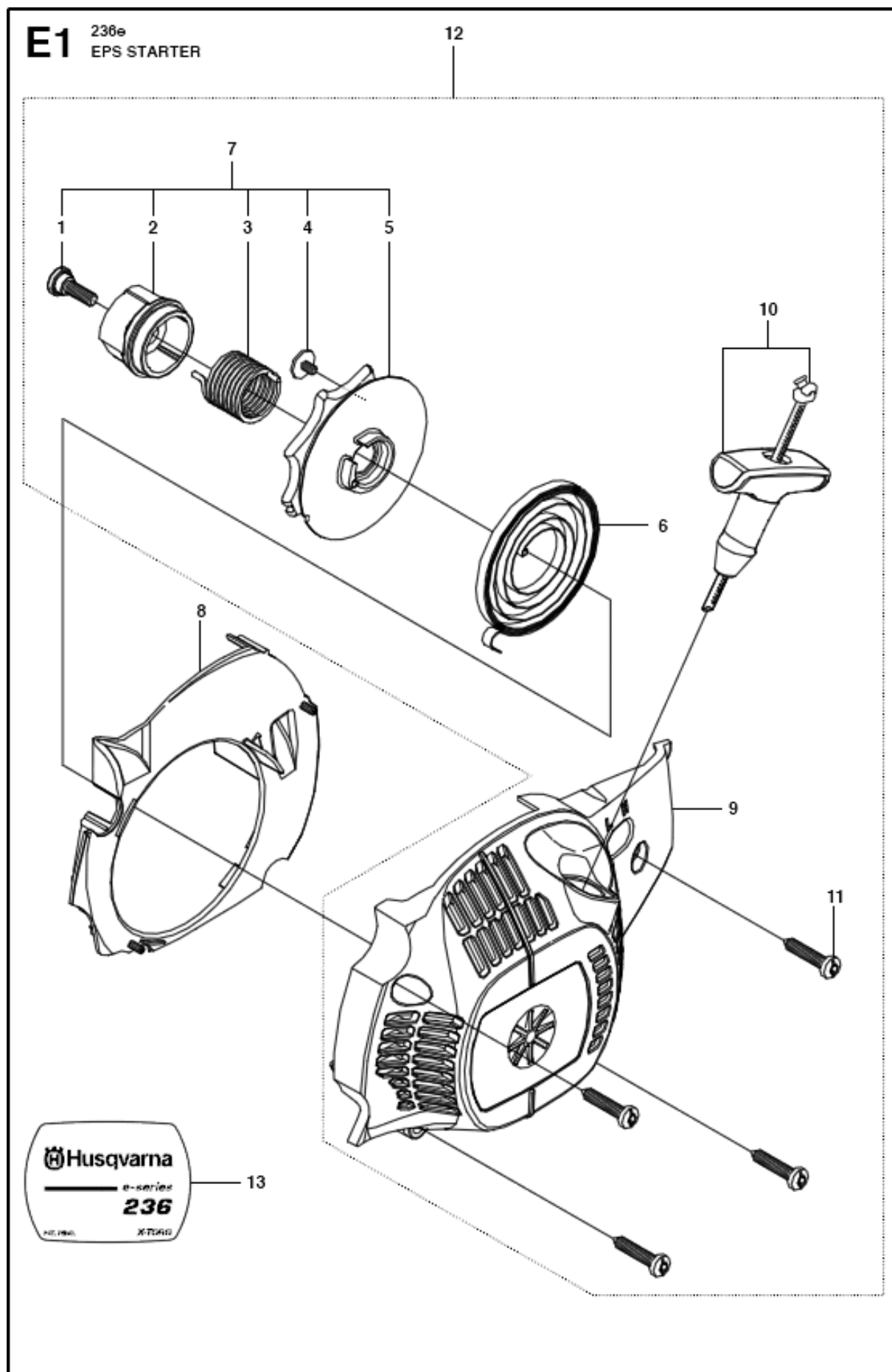
Ref	Part No	Description	Remark	QTY KIT
1	575 63 55-02	FLYWHEEL		1
2	530 01 51-27	WASHER		1
3	530 01 61-34	NUT		1
4	575 80 35-01	MODULE		1
5	545 12 19-01	SCREW		2
6	545 07 99-01	ASSY- WIRE HARNESS		1



MUFFLER

236 E, 967326501, 967326502, 967787901, 20180500001-Current

Ref	Part No	Description	Remark	QTY	KIT
1	574 26 64-01	NUT		1	8,9
2	545 07 69-01	EXHAUST PLATE		1	8,9
3	545 16 74-01	SCREEN		1	8,9
4	530 01 63-38	BOLT		2	5,9
5	586 09 43-01	MUFFLER		1	9
6	530 05 48-84	MUFFLER GASKET		1	5,9
7	545 06 69-01	MUFFLER BACK PLATE		1	5,9
8	545 00 80-27	KIT		1	9
9	545 18 08-43	MUFFLER		1	



STARTER

236 E, 967326501, 967326502, 967787901, 20180500001-Current

Ref	Part No	Description	Remark	QTY	KIT
1	530 02 11-79	SCREW		1	7,12
2	530 05 96-77	SLEEVE		1	7,12
3	530 02 11-80	SPRING		1	7,12
4	530 01 60-80	SCREW		1	7,12
5	580 97 36-01	STARTER PULLEY		1	7,12
6	530 04 20-95	SPRING		1	12
7	530 07 19-66	STARTER PULLEY		1	12
8	545 06 38-01	BAFFLE		1	
9	545 06 37-01	FAN HOUSING		1	12
10	545 01 00-10	HANDLE		1	12
11	530 01 64-32	SCREW		4	12
12	545 00 80-24	KIT		1	
13	575 73 03-01	DECAL		1	