

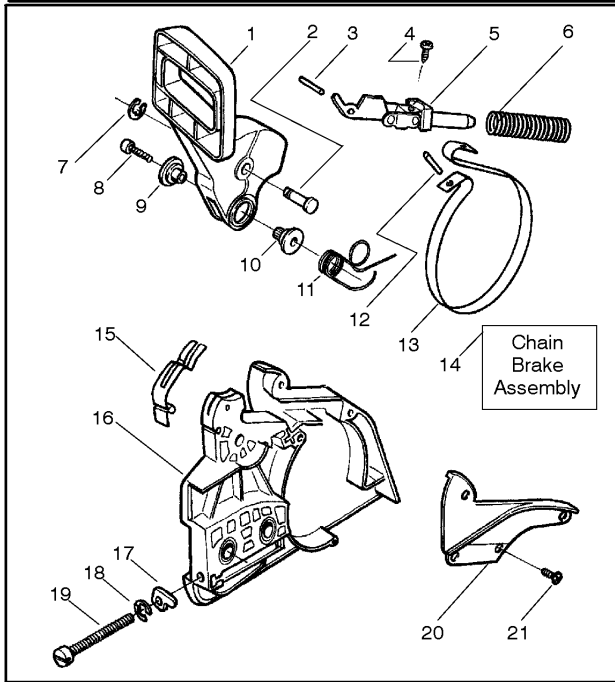


SPARE PARTS LIST

CHAIN SAWS

137 E, 2006-12

PARTS LIST NO. 530165247		Husqvarna® PARTS LIST	CHAIN SAW MODEL(s) 137 North America
DATE 12/14/06	Replaces 1/11/06 - 530165247		Note: Illustration may differ from actual model due to design changes

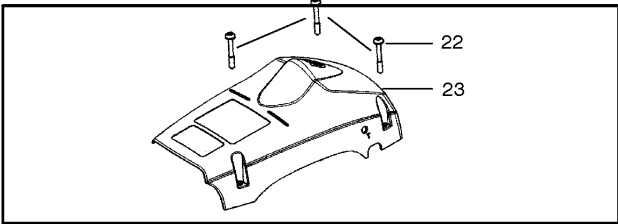


CHAIN BRAKE

137 E, 2006-12

Ref	Part No	Description	Remark	QTY KIT
1	530 07 13-48	LEVER		1
2	530 02 98-79	SCREW		1
3	530 01 59-15	SCREW		1
4	530 01 59-11	SCREW		1
5	530 05 47-41	KNEE LINK		1
6	530 01 62-37	SPRING		1
7	530 02 44-19	E-CLIP		1
8	530 01 63-84	SCREW		1
9	530 05 65-31	SHAFT PIVOT		1
10	530 02 98-81	SHAFT PIVOT		1
11	530 01 59-10	SPRING		1
12	530 01 59-13	PEN		1
13	530 05 22-32	BRAKE BAND		1
14	530 05 48-02	CHAIN BRAKE ASSY		1
15	530 02 98-78	SPRING		1
16	530 04 94-83	CLUTCH COVER		1
17	530 01 58-26	PEN		1
18	530 03 85-93	RETAINER		1
19	530 01 61-10	SCREW		1
20	530 05 30-35	COVER		1
21	530 01 59-11	SCREW		1

PARTS LIST NO. 530165247		 Husqvarna® PARTS LIST	CHAIN SAW MODEL(s) 137 North America
DATE 12/14/06	Replaces 1/11/06 - 530165247		Note: Illustration may differ from actual model due to design changes



COVER

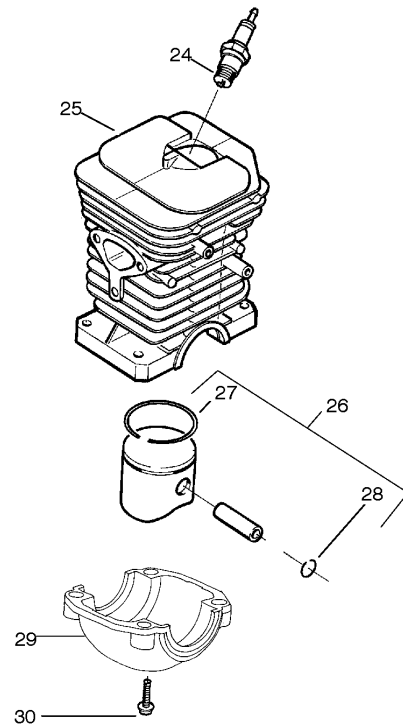
137 E, 2006-12

Ref	Part No	Description	Remark	QTY KIT
22	530 01 61-54	SCREW		1
23	530 05 99-60	CYLINDER COVER		1

PARTS LIST NO. 530165247		 Husqvarna® PARTS LIST	CHAIN SAW MODEL(s) 137 North America
DATE 12/14/06	Replaces 1/11/06 - 530165247		Note: Illustration may differ from actual model due to design changes

⚠ WARNING

All repairs, adjustments and maintenance not described in the Operator's Manual must be performed by qualified service personnel.

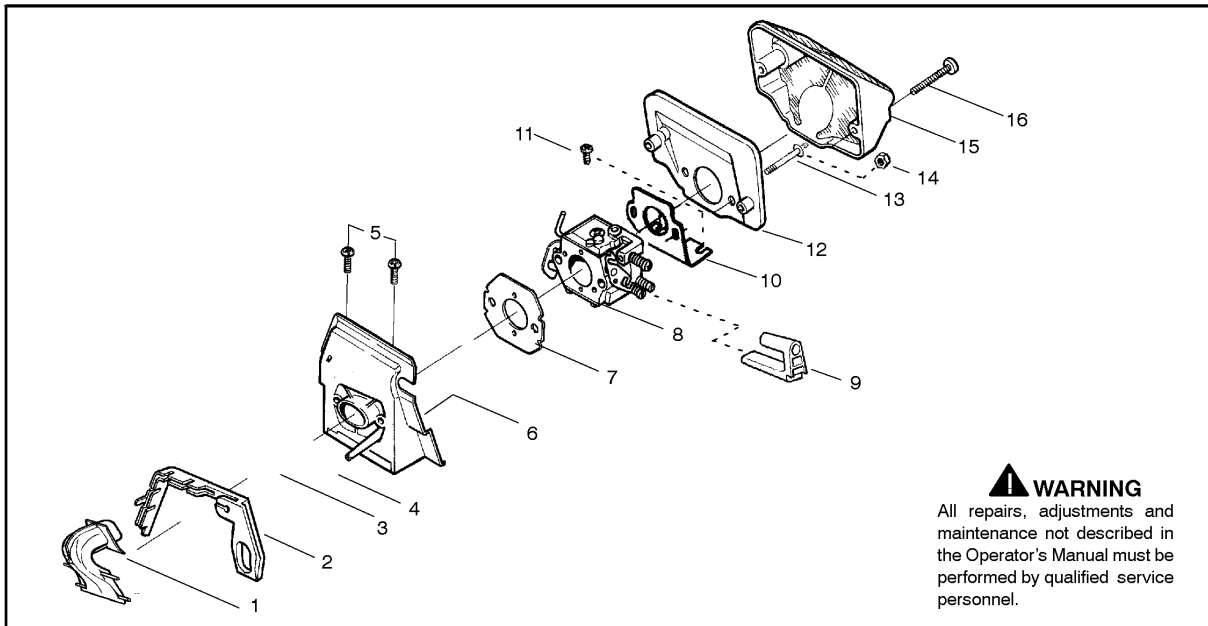


CYLINDER PISTON

137 E, 2006-12

Ref	Part No	Description	Remark	QTY KIT
24	952 03 01-50	SPARK PLUG		1
25	530 06 99-40	CYLINDER		1
26	530 06 99-44	PISTON		1
27	530 02 98-05	PISTON RING		1
28	530 01 56-97	LOCKING RING		1
29	530 04 97-94	CRANKCASE		1
30	530 01 58-97	SCREW		1
530031135	530 03 11-35	WRENCH		1
530047839	530 04 78-39	DECAL		1

PARTS LIST NO. 530165247		Husqvarna® PARTS LIST	CHAIN SAW MODEL(s) 137 North America
DATE 12/14/06	Replaces 1/11/06 - 530165247		Note: Illustration may differ from actual model due to design changes



WARNING

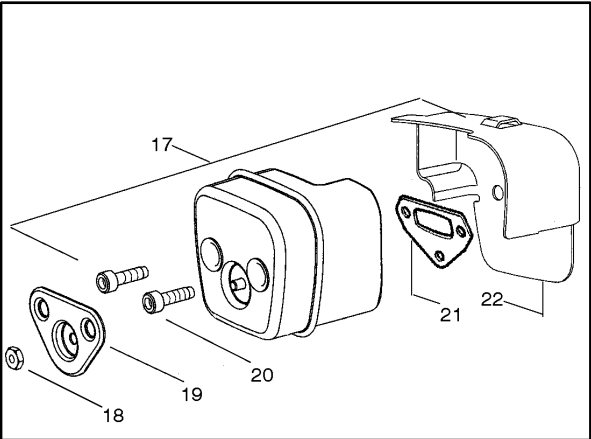
All repairs, adjustments and maintenance not described in the Operator's Manual must be performed by qualified service personnel.

CARBURETOR & AIR FILTER

137 E, 2006-12

Ref	Part No	Description	Remark	QTY KIT
1	530 02 98-13	JET		1
2	530 01 92-03	SEALING		1
3	530 02 98-14	PIPE		1
4	530 05 34-35	HOSE		1
5	530 01 58-14	SCREW		1
6	530 03 74-65	ADAPTER		1
7	530 01 91-72	GASKET		1
8	530 07 19-87	CARBURETTOR		1
9	530 03 55-87	PASSAGE		1
10	530 04 77-67	SUPPORT		1
11	530 01 58-96	SCREW		1
12	530 03 65-82	HOLDER		1
13	530 01 59-68	SCREW		1
14	530 01 60-08	NUT		1
15	530 02 98-11	AIR FILTER		1
16	530 01 58-99	SCREW		1

PARTS LIST NO. 530165247		 Husqvarna® PARTS LIST	CHAIN SAW MODEL(s) 137 North America
DATE 12/14/06	Replaces 1/11/06 - 530165247		Note: Illustration may differ from actual model due to design changes

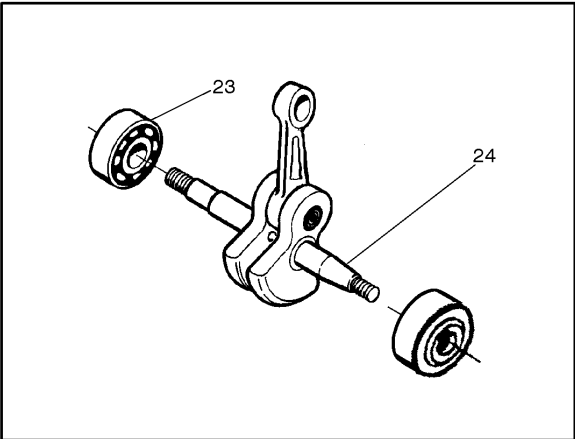


MUFFLER

137 E, 2006-12

Ref	Part No	Description	Remark	QTY KIT
17	530 07 15-11	SILENCER		1
18	530 01 63-59	NUT		1
19	530 05 56-00	WASHER		1
20	530 01 63-38	BOLT		1
21	530 05 51-28	GASKET		1
22	530 05 51-71	COUVERCLE		1

PARTS LIST NO. 530165247		Husqvarna® PARTS LIST	CHAIN SAW MODEL(s) 137 North America
DATE 12/14/06	Replaces 1/11/06 - 530165247		Note: Illustration may differ from actual model due to design changes



CRANKSHAFT

137 E, 2006-12

Ref	Part No	Description	Remark	QTY KIT
23	530 05 63-63	BEARING		1
24	530 02 97-94	CRANKSHAFT		1

PARTS LIST NO. 530165247		® PARTS LIST	CHAIN SAW MODEL(s) 137 North America
DATE 12/14/06	Replaces 1/11/06 - 530165247		Note: Illustration may differ from actual model due to design changes

⚠ WARNING
All repairs, adjustments and maintenance not described in the Operator's Manual must be performed by qualified service personnel.

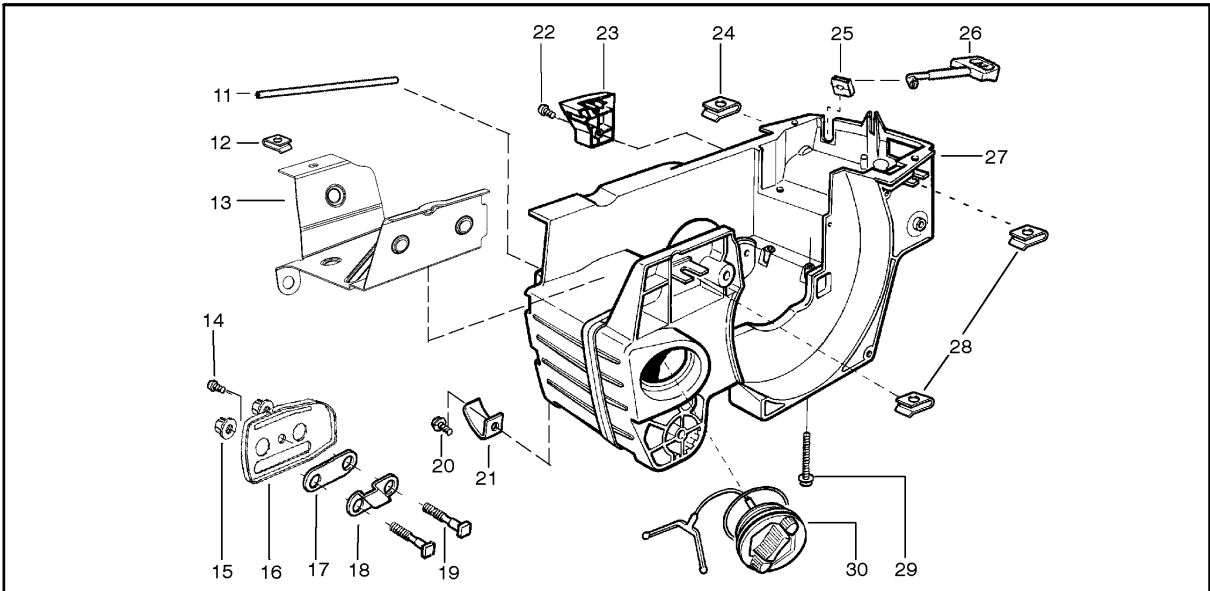
The diagram shows an exploded view of the clutch and oil pump assembly. On the left, the clutch components are shown: a hub (1), a drum (2), a shoe (3), and a spring (4). On the right, the oil pump components are shown: a housing (5), a rotor (6), a gear (7), a pin (8), a cover (9), and a seal (10).

CLUTCH & OIL PUMP

137 E, 2006-12

Ref	Part No	Description	Remark	QTY KIT
1	530 01 49-49	CLUTCH		1
2	530 01 56-11	WASHER		1
3	530 04 70-61	CLUTCH DRUM ASSY		1
4	530 01 59-07	WASHER		1
5	530 01 47-76	OIL PICK-UP		1
6	530 05 65-33	SCREEN		1
7	545 03 71-01	SEALING		1
8	530 01 58-96	SCREW		1
9	530 01 44-10	OIL PUMP		1
10	530 02 98-33	PUMP		1

PARTS LIST NO. 530165247		® PARTS LIST	CHAIN SAW MODEL(S) 137 North America
DATE 12/14/06	Replaces 1/11/06 - 530165247		Note: Illustration may differ from actual model due to design changes

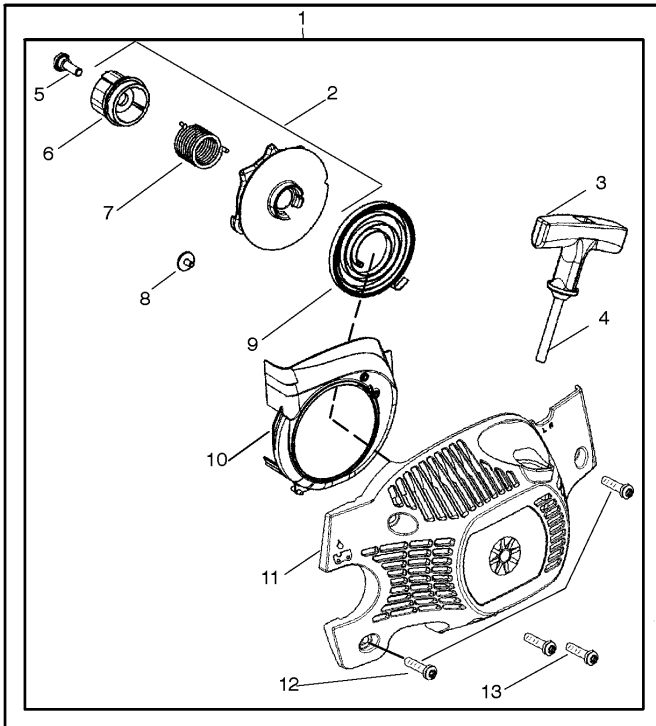


CRANKCASE

137 E, 2006-12

Ref	Part No	Description	Remark	QTY KIT
11	545 03 35-01	HOSE		1
12	530 05 53-22	NUT		1
13	530 05 51-74	PROTECTION		1
14	530 01 58-96	SCREW		1
15	530 01 59-17	NUT		1
16	530 04 78-55	PLATE		1
17	530 01 92-28	SEALING		1
18	530 03 60-43	SUPPORT		1
19	530 01 58-77	BOLT		1
20	530 01 58-78	SCREW		1
21	530 02 98-50	CHAIN CATCHER		1
22	530 01 58-93	SCREW		1
23	530 05 24-28	COVER		1
24	530 01 59-22	NUT		1
25	530 02 98-30	GUIDE		1
26	530 02 98-31	CHOKE CONTROL		1
27	530 07 19-91	CRANKCASE		1
28	530 01 59-22	NUT		1
29	530 01 60-37	SCREW		1
30	501 76 56-02	TANK CAP ASSY		1

PARTS LIST NO. 530165247		Husqvarna® PARTS LIST	CHAIN SAW MODEL(S) 137 North America
DATE 12/14/06	Replaces 1/11/06 - 530165247		Note: Illustration may differ from actual model due to design changes

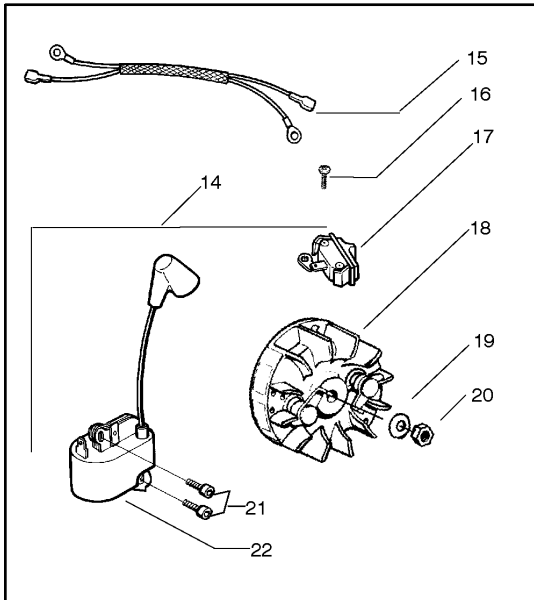


STARTER

137 E, 2006-12

Ref	Part No	Description	Remark	QTY KIT
1	530 07 19-68	STARTER DEVICE		1
2	530 07 19-66	STARTER PULLEY		1
3	530 15 03-18	HANDLE		1
4	530 06 92-32	STARTER ROPE		1
5	530 02 11-79	SCREW		1
6	530 05 96-77	SLEEVE		1
7	530 02 11-80	SPRING		1
8	530 01 60-80	SCREW		1
9	530 04 20-95	SPRING		1
10	530 05 99-59	BAFFLE		1
11	530 05 99-58	STARTER		1
12	530 01 58-93	SCREW		1
13	530 01 58-92	SCREW		1

PARTS LIST NO. 530165247		Husqvarna® PARTS LIST	CHAIN SAW MODEL(s) 137 North America
DATE 12/14/06	Replaces 1/11/06 - 530165247		Note: Illustration may differ from actual model due to design changes

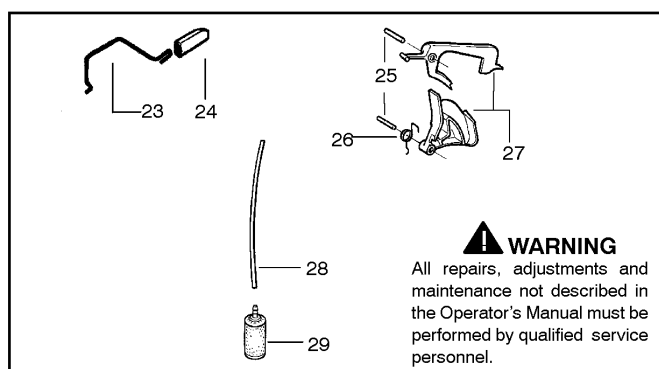


IGNITION SYSTEM

137 E, 2006-12

Ref	Part No	Description	Remark	QTY KIT
14	530 07 19-67	IGNITION MODULE		1
15	530 40 32-57	CABLE		1
16	530 01 58-96	SCREW		1
17	503 71 79-01	STOP SWITCH		1
18	530 05 96-37	FLYWHEEL ASSY		1
19	530 01 51-27	WASHER		1
20	530 01 61-34	NUT		1
21	545 00 39-02	SCREW		1
22	530 03 92-39	IGNITION MODULE		1

PARTS LIST NO. 530165247		Husqvarna® PARTS LIST	CHAIN SAW MODEL(s) 137 North America
DATE 12/14/06	Replaces 1/11/06 - 530165247		Note: Illustration may differ from actual model due to design changes

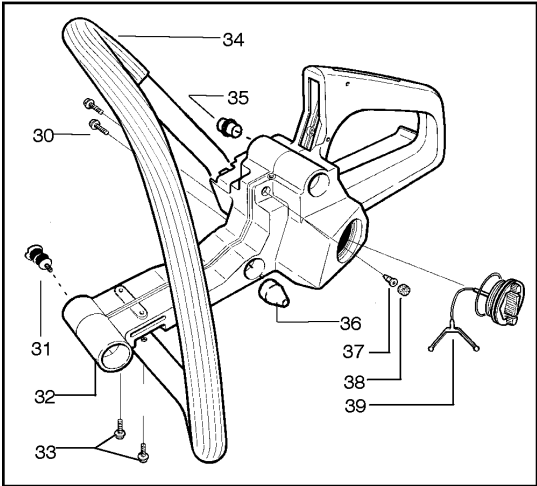


THROTTLE CONTROLS

137 E, 2006-12

Ref	Part No	Description	Remark	QTY KIT
23	530 02 98-69	THROTTLE ROD		1
24	530 02 98-63	HUB CAP		1
25	530 02 98-60	SCREW		1
26	530 02 98-61	SPRING		1
27	530 06 95-87	THROTTLE TRIGGER		1
28	530 06 92-47	HOSE		1
29	530 01 44-97	FILTER		1

PARTS LIST NO. 530165247		 Husqvarna® PARTS LIST	CHAIN SAW MODEL(s) 137 North America
DATE 12/14/06	Replaces 1/11/06 - 530165247		Note: Illustration may differ from actual model due to design changes



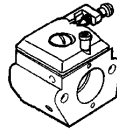
FUEL TANK & HANDLE

137 E, 2006-12

Ref	Part No	Description	Remark	QTY KIT
30	530 01 59-40	SCREW		1
31	530 02 98-70	INSULATOR		1
32	530 05 56-13	FUEL TANK		1
33	530 01 58-43	SCREW		1
34	530 05 99-61	HANDLE		1
35	530 05 24-39	MOVEMENT LIMITER		1
36	530 02 99-84	LIMITER		1
37	530 02 61-19	CHECK VALVE		1
38	530 03 82-64	PLUG		1
39	530 07 12-66	FUEL CAP		1

PARTS LIST NO. 530165247		Husqvarna® PARTS LIST	CHAIN SAW MODEL(s) 137 North America
DATE 12/14/06	Replaces 1/11/06 - 530165247		Note: Illustration may differ from actual model due to design changes

Kit - Carburetor Assembly No. 530071987 - Zama W-29



Carb
Repair
Kit
1

Ref.	Part No.	Description
1.	530035269	Kit-Carburetor Repair (Zama)

⚠ WARNING

All repairs, adjustments and maintenance not described in the Operator's Manual must be performed by qualified service personnel.

✓ = NEW PART NUMBER FOR THIS IPL * = REFER TO THE SERVICE REFERENCE INDICATED FOR MORE INFORMATION. (LOCATED AT END OF IPL)
 ● = THESE PARTS ARE ILLUSTRATED FOR CLARITY. ORDER COMPLETE ASSEMBLY.

CARBURETOR

137 E, 2006-12

Ref	Part No	Description	Remark	QTY KIT
1	530 03 52-69	REPAIR KIT		1