



SPARE PARTS LIST

CHAIN SAWS

137, 20070100001-20082299999

PARTS LIST NO.	530165405	Husqvarna® PARTS LIST	CHAIN SAW MODEL(s)
DATE	Replaces		137 Export
09/18/06	530165405 - 05/19/06	Note: Illustration may differ from actual model due to design changes	PAGE NO. 1

⚠ WARNING
 All repairs, adjustments and maintenance not described in the Operator's Manual must be performed by qualified service personnel.

✓ = NEW PART NUMBER FOR THIS IPL

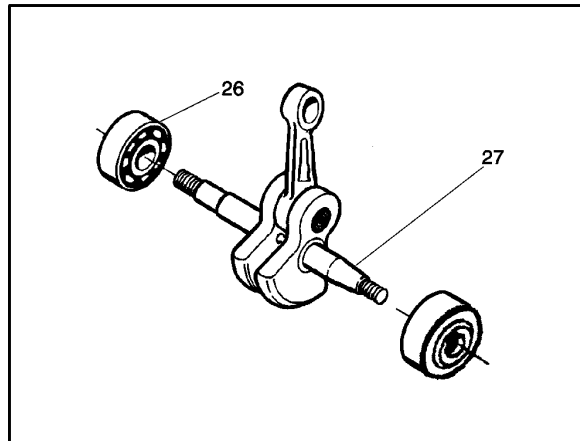
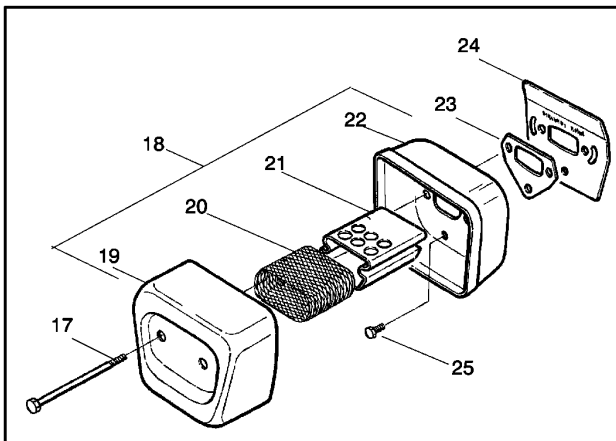
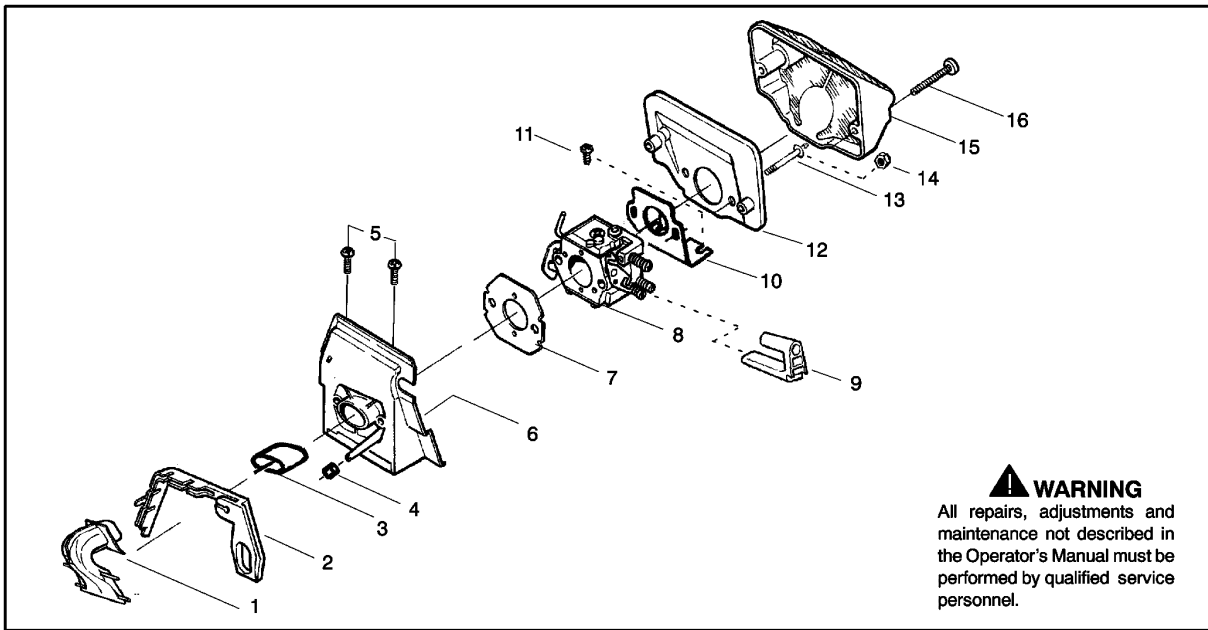
* = REFER TO THE SERVICE REFERENCE INDICATED FOR MORE INFORMATION. (LOCATED AT END OF IPL)

CHAIN BRAKE & CLUTCH COVER

137, 20070100001-20082299999

Ref	Part No	Description	Remark	QTY KIT
1	530 07 13-48	LEVER		1
2	530 02 98-79	SCREW		1
3	530 01 59-15	SCREW		1
4	530 01 59-11	SCREW		1
5	530 05 47-41	KNEE LINK		1
6	530 01 62-37	SPRING		1
7	530 02 44-19	E-CLIP		1
8	530 01 63-84	SCREW		1
9	530 05 65-31	SHAFT PIVOT		1
10	530 02 98-81	SHAFT PIVOT		1
11	530 01 59-10	SPRING		1
12	530 01 59-13	PEN		1
13	530 05 22-32	BRAKE BAND		1
14	530 05 48-02	CHAIN BRAKE ASSY		1
15	530 02 98-78	SPRING		1
16	530 04 94-83	CLUTCH COVER		1
17	530 01 58-26	PEN		1
18	530 03 85-93	RETAINER		1
19	530 01 61-10	SCREW		1
20	530 05 30-35	COVER		1
21	530 01 59-11	SCREW		1
22	530 01 61-54	SCREW		1
23	530 05 99-60	CYLINDER COVER		1
24	952 03 01-50	SPARK PLUG		1
25	530 06 99-40	CYLINDER		1
26	530 06 99-44	PISTON		1
27	530 02 98-05	PISTON RING		1
28	530 01 56-97	LOCKING RING		1
29	530 04 97-94	CRANKCASE		1
30	530 01 58-97	SCREW		1
----	530 01 58-97	SCREW		1
530031135	530 03 11-35	WRENCH		1
530037418	530 03 74-18	DECAL		1
545003026	545 00 30-26	LABEL		1

PARTS LIST NO. 530165405		Husqvarna® PARTS LIST	CHAIN SAW MODEL(s) 137 Export
DATE 09/18/06	Replaces 530165405 - 05/19/06		Note: Illustration may differ from actual model due to design changes



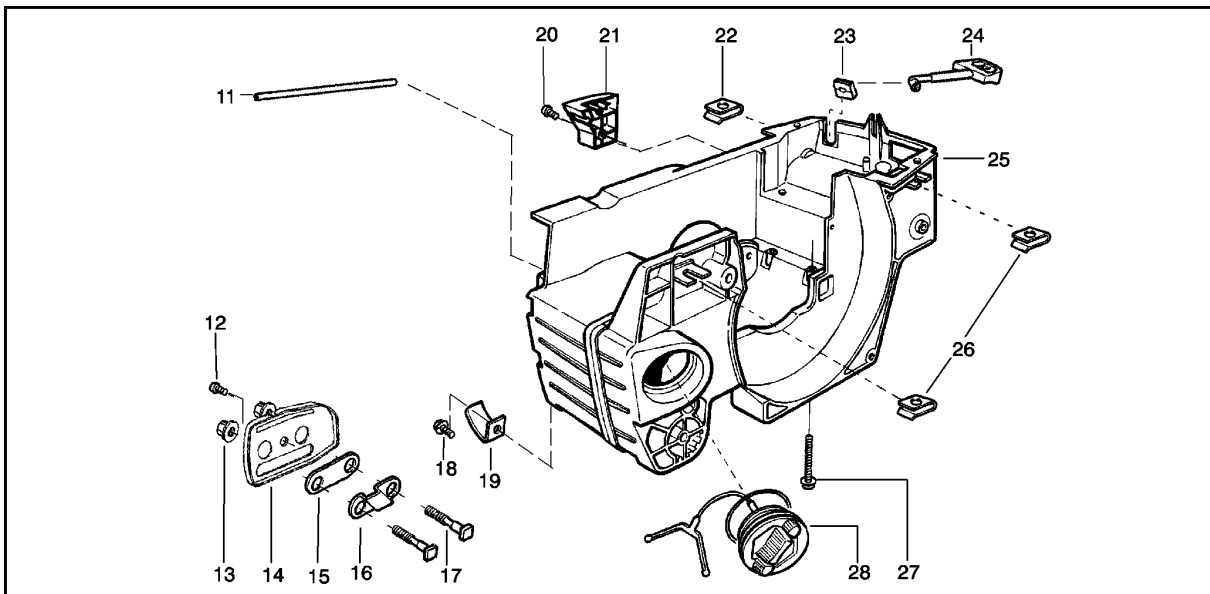
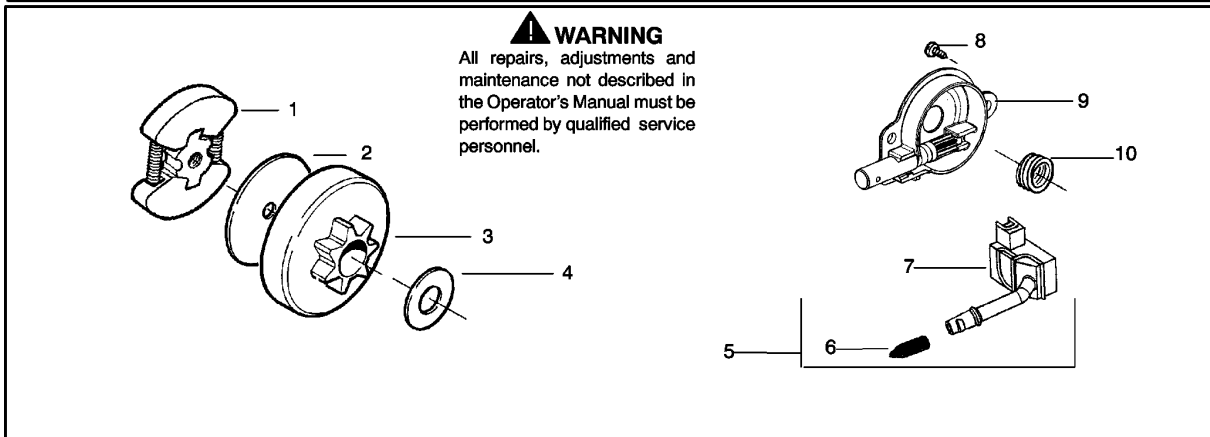
✓ = NEW PART NUMBER FOR THIS IPL
● = THESE PARTS ARE ILLUSTRATED FOR CLARITY. ORDER COMPLETE ASSEMBLY.

CARBURETOR & AIR FILTER

137, 20070100001-20082299999

Ref	Part No	Description	Remark	QTY KIT
1	530 02 98-13	JET		1
2	530 01 92-03	SEALING		1
3	530 02 98-14	PIPE		1
4	530 05 34-35	HOSE		1
5	530 01 58-14	SCREW		1
6	530 03 74-65	ADAPTER		1
7	530 01 91-72	GASKET		1
8	530 07 19-87	CARBURETTOR		1
9	530 03 55-87	PASSAGE		1
10	530 04 77-67	SUPPORT		1
11	530 01 58-96	SCREW		1
12	530 03 65-82	HOLDER		1
13	530 01 59-68	SCREW		1
14	530 01 60-08	NUT		1
15	545 05 78-01	AIR FILTER COVER		1
16	530 01 58-99	SCREW		1
17	530 01 60-44	BOLT		1
18	530 06 94-15	MUFFLER		1
19	530 03 72-54	MUFFLER		1
20	530 02 98-10	SCREEN		1
21	530 03 72-46	FLAME PROTECTION		1
22	530 03 72-51	MUFFLER		1
23	530 01 92-05	GASKET		1
24	530 03 76-40	PLATE		1
25	530 01 59-02	SCREW		1
26	530 05 63-63	BEARING		1
27	530 02 97-94	CRANKSHAFT		1

PARTS LIST NO. 530165405		Husqvarna® PARTS LIST	CHAIN SAW MODEL(s) 137 Export
DATE 09/18/06	Replaces 530165405 - 05/19/06		Note: Illustration may differ from actual model due to design changes



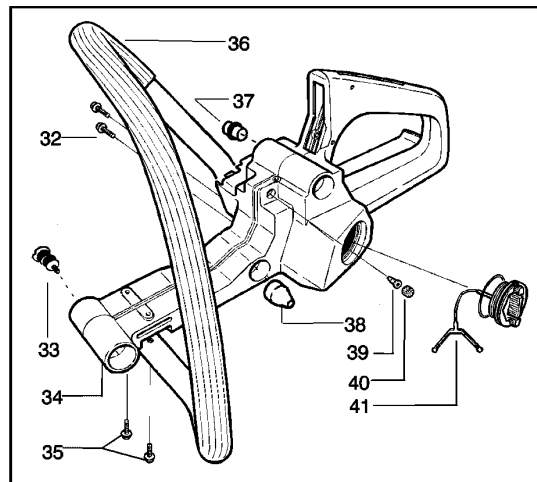
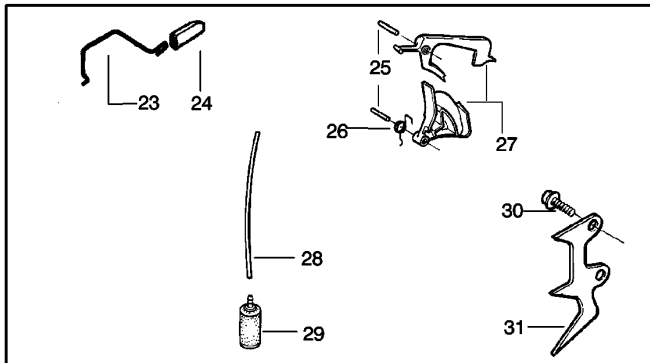
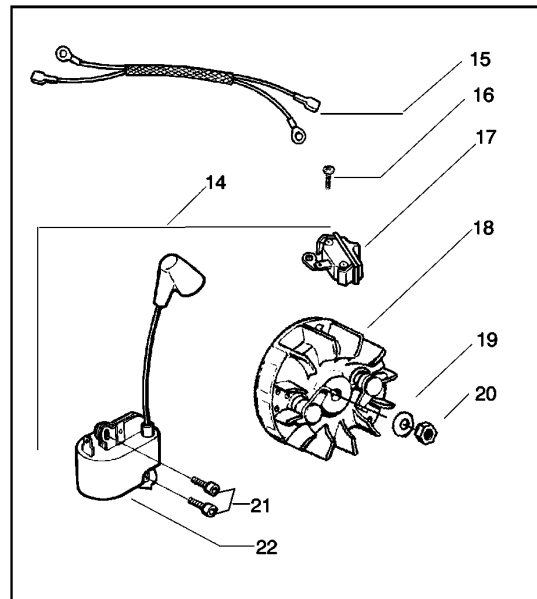
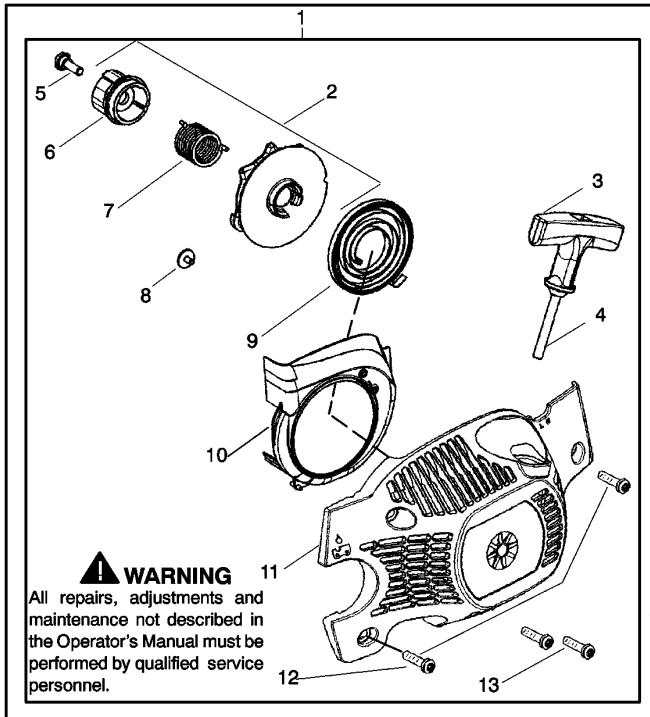
✓ = NEW PART NUMBER FOR THIS IPL * = REFER TO THE SERVICE REFERENCE INDICATED FOR MORE INFORMATION. (LOCATED AT END OF IPL)
 ● = THESE PARTS ARE ILLUSTRATED FOR CLARITY. ORDER COMPLETE ASSEMBLY.

CLUTCH & OIL PUMP

137, 20070100001-20082299999

Ref	Part No	Description	Remark	QTY KIT
1	530 01 49-49	CLUTCH		1
2	530 01 56-11	WASHER		1
3	530 01 56-11	WASHER		1
3	530 04 70-61	CLUTCH DRUM ASSY	3/8 PITCH	1
3	530 04 81-32	CLUTCH DRUM	.325 PITCH	1
4	530 01 59-07	WASHER		1
5	530 01 47-76	OIL PICK-UP		1
6	530 05 65-33	SCREEN		1
7	545 03 71-01	SEALING		1
8	530 01 58-96	SCREW		1
9	530 01 44-10	OIL PUMP		1
10	530 02 98-33	PUMP		1
11	545 03 35-01	HOSE		1
12	530 01 58-96	SCREW		1
13	530 01 59-17	NUT		1
14	530 04 78-55	PLATE		1
15	530 01 92-28	SEALING		1
16	530 03 60-43	SUPPORT		1
17	530 01 58-77	BOLT		1
18	530 01 58-78	SCREW		1
19	530 02 98-50	CHAIN CATCHER		1
20	530 01 58-93	SCREW		1
21	530 05 24-28	COVER		1
22	530 01 59-22	NUT		1
23	530 02 98-30	GUIDE		1
24	530 02 98-31	CHOKE CONTROL		1
25	530 07 19-91	CRANKCASE		1
26	530 01 59-22	NUT		1
27	530 01 60-37	SCREW		1
28	501 76 56-02	TANK CAP ASSY		1

PARTS LIST NO. 530165405		Husqvarna® PARTS LIST	CHAIN SAW MODEL(s) 137 Export
DATE 09/18/06	Replaces 530165405 - 05/19/06		NOTE: Illustration may differ from actual model due to design changes



✓ = NEW PART NUMBER FOR THIS IPL * = REFER TO THE SERVICE REFERENCE INDICATED FOR MORE INFORMATION. (LOCATED AT END OF IPL)
● = THESE PARTS ARE ILLUSTRATED FOR CLARITY. ORDER COMPLETE ASSEMBLY.

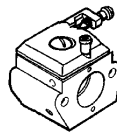
STARTER

137, 20070100001-20082299999

Ref	Part No	Description	Remark	QTY KIT
1	530 07 19-68	STARTER DEVICE		1
2	530 07 19-66	STARTER PULLEY		1
3	530 15 03-18	HANDLE		1
4	530 06 92-32	STARTER ROPE		1
5	530 02 11-79	SCREW		1
6	530 05 96-77	SLEEVE		1
7	530 02 11-80	SPRING		1
8	530 01 60-80	SCREW		1
9	530 04 20-95	SPRING		1
10	530 05 99-59	BAFFLE		1
11	530 05 99-58	STARTER		1
12	530 01 58-93	SCREW		1
13	530 01 58-92	SCREW		1
14	530 07 19-67	IGNITION MODULE		1
15	530 40 32-57	CABLE		1
16	530 01 58-96	SCREW		1
17	503 71 79-01	STOP SWITCH		1
18	530 05 96-37	FLYWHEEL ASSY		1
19	530 01 51-27	WASHER		1
20	530 01 61-34	NUT		1
21	545 00 39-02	SCREW		1
22	530 03 92-39	IGNITION MODULE		1
23	530 02 98-69	THROTTLE ROD		1
24	530 02 98-63	HUB CAP		1
25	530 02 98-60	SCREW		1
26	530 02 98-61	SPRING		1
27	530 06 95-87	THROTTLE TRIGGER		1
28	530 06 92-47	HOSE		1
29	530 01 44-97	FILTER		1
30	530 01 64-39	SCREW		1
31	530 01 43-81	FELLING DOG		1
32	530 01 59-40	SCREW		1
33	530 02 98-70	INSULATOR		1
34	530 05 24-46	TANK		1
35	530 01 58-43	SCREW		1
36	530 05 99-61	HANDLE		1
37	530 05 24-39	MOVEMENT LIMITER		1
38	530 02 99-84	LIMITER		1
39	530 02 61-19	CHECK VALVE		1
40	530 03 82-64	PLUG		1
41	530 07 12-66	FUEL CAP		1

PARTS LIST NO. 530165405		 Husqvarna® PARTS LIST	CHAIN SAW MODEL(s) 137 Export
DATE 09/18/06	Replaces 530165405 - 05/19/06		Note: Illustration may differ from actual model due to design changes

Kit - Carburetor Assembly No. 530071987 - Zama W-29



Carb
Repair
Kit

1

⚠ WARNING

All repairs, adjustments and maintenance not described in the Operator's Manual must be performed by qualified service personnel.

✓ = NEW PART NUMBER FOR THIS IPL * = REFER TO THE SERVICE REFERENCE INDICATED FOR MORE INFORMATION. (LOCATED AT END OF IPL)
● = THESE PARTS ARE ILLUSTRATED FOR CLARITY. ORDER COMPLETE ASSEMBLY.

CARBURETOR

137, 20070100001-20082299999

Ref	Part No	Description	Remark	QTY KIT
1	530 03 52-69	REPAIR KIT		1