

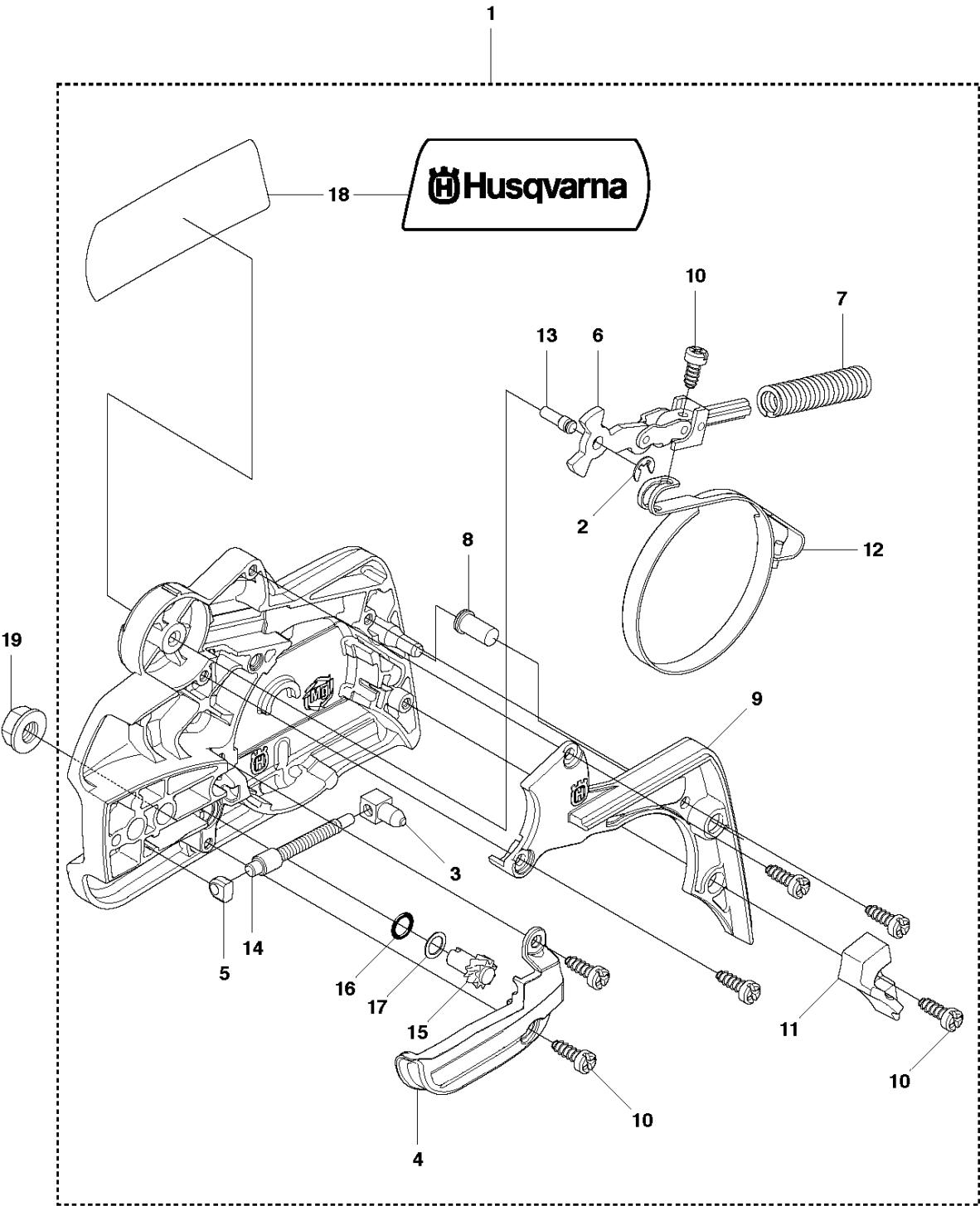


SPARE PARTS LIST

CHAIN SAWS

135 from 20113100001-current

A 135
CHAIN BRAKE & CLUTCH COVER

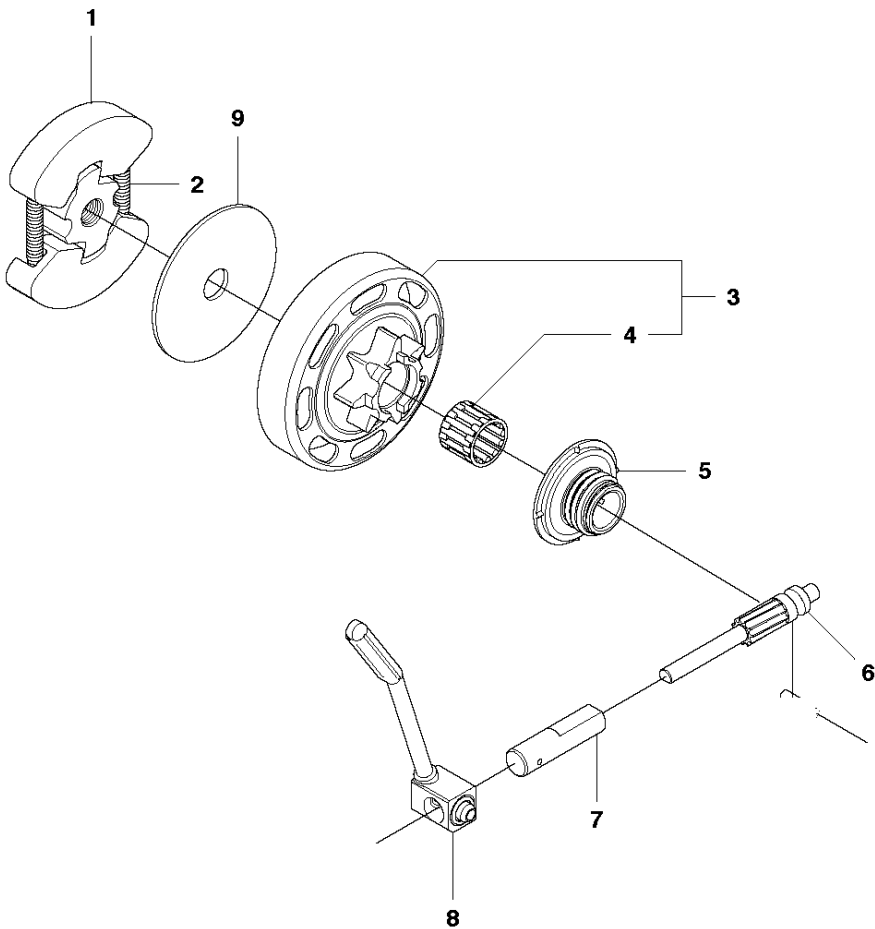


CHAIN BRAKE & CLUTCH COVER

135 from 20113100001-current

Ref	Part No	Description	Remark	QTY KIT	
1	501 38 82-01	CLUTCH COVER ASSY	Clutch cover assy		
2	735 31 08-20	E-CLIP	E-clip	1	1
3	537 28 66-01	PAWL	Pawl	1	1
4	540 06 33-01	CHAIN GUIDE	Chain guide	1	1
5	537 01 74-01	BEARING SLEEVE	Bearing sleeve	1	1
6	503 89 08-02	KNEE JOINT ASSY	Knee joint	1	1
7	505 89 26-01	BRAKE SPRING	Brake spring	1	1
8	503 85 52-01	GUIDE BUSHING	Guide bushing	1	1
9	544 24 85-01	COVER LID	Cover lid	1	1
10	503 21 70-10	SCREW CCRPANT	Screw	7	1
11	544 25 31-01	WEAR PROTECTION	Wear protection	1	1
12	544 30 60-01	BRAKE BAND ASSY	Brake band assy	1	1
13	503 89 29-01	PIN	Pin	1	1
14	537 39 70-01	WORM SCREW	Worm screw	1	1
15	537 07 94-02	WORM WHEEL	Worm wheel	1	1
16	740 48 07-02	O-RING	O-ring	1	1
17	503 23 00-63	WASHER	Washer	1	1
18	544 37 68-01	LABEL	Label, clutch cover	1	1
19	503 22 00-01	HEXAGON NUT	Nut	1	

B 135, 135e
CLUTCH & OIL PUMP

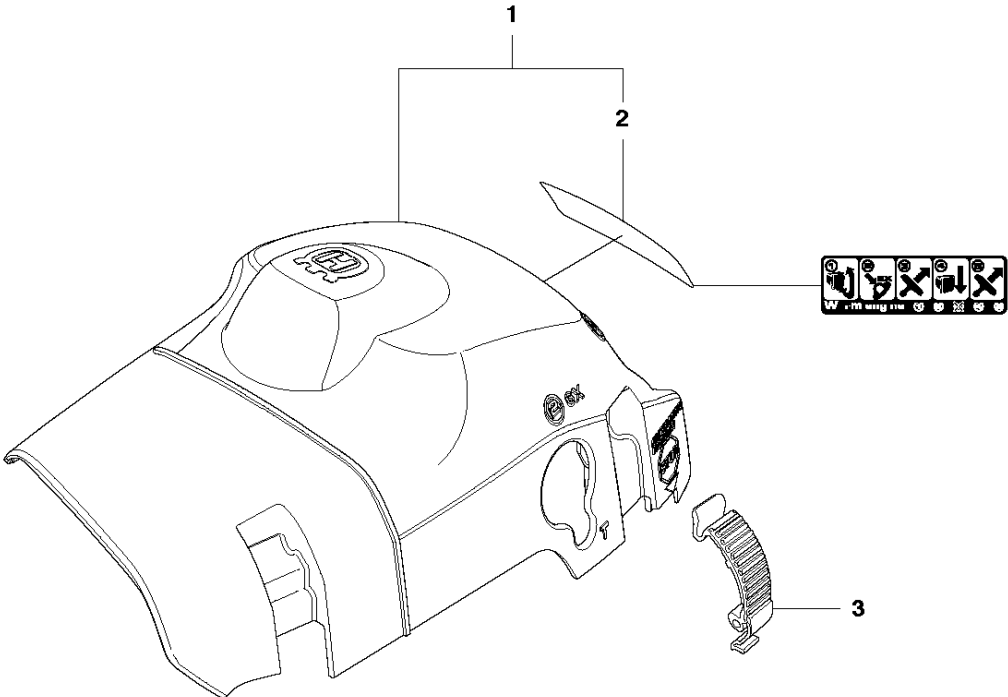


CLUTCH & OIL PUMP

135 from 20113100001-current

Ref	Part No	Description	Remark	QTY	KIT
1	530 01 49-49	CLUTCH	Clutch assy	1	
2	530 09 41-88	SPRING	Clutch spring	1	1
3	578 25 71-01	CLUTCH DRUM ASSY	Clutch drum assy	1	
4	503 53 92-01	NEEDLE BEARING	Needle bearing	1	3
5	544 21 24-01	WORM GEAR	Worm gear	1	
6	540 05 79-01	PUMP PISTON	Pump piston	1	
7	537 15 48-01	PUMP CYLINDER	Pump cylinder	1	
8	544 08 42-01	OIL HOSE	Oil hose	1	
9	530 01 56-11	WASHER		1	

C 135
CYLINDER COVER

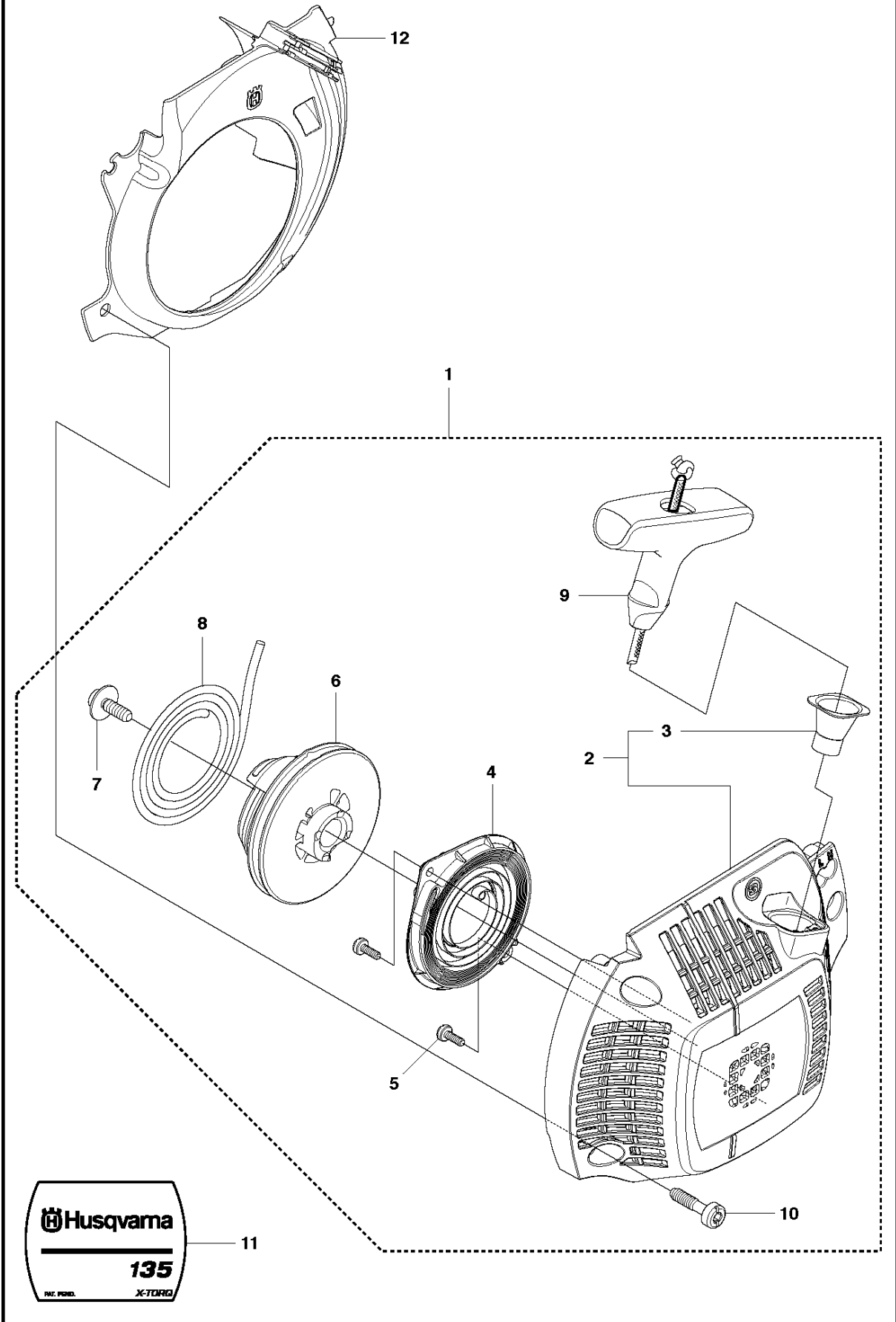


CYLINDER COVER

135 from 20113100001-current

Ref	Part No	Description	Remark	QTY KIT	
1	504 79 02-01	CYLINDER COVER ASSY	Cylinder cover kpl	1	
2	522 73 60-01	LABEL	Start reminder, label	1	1
3	503 89 47-01	SNAP LOCKING	Snap	3	

D 135
STARTER

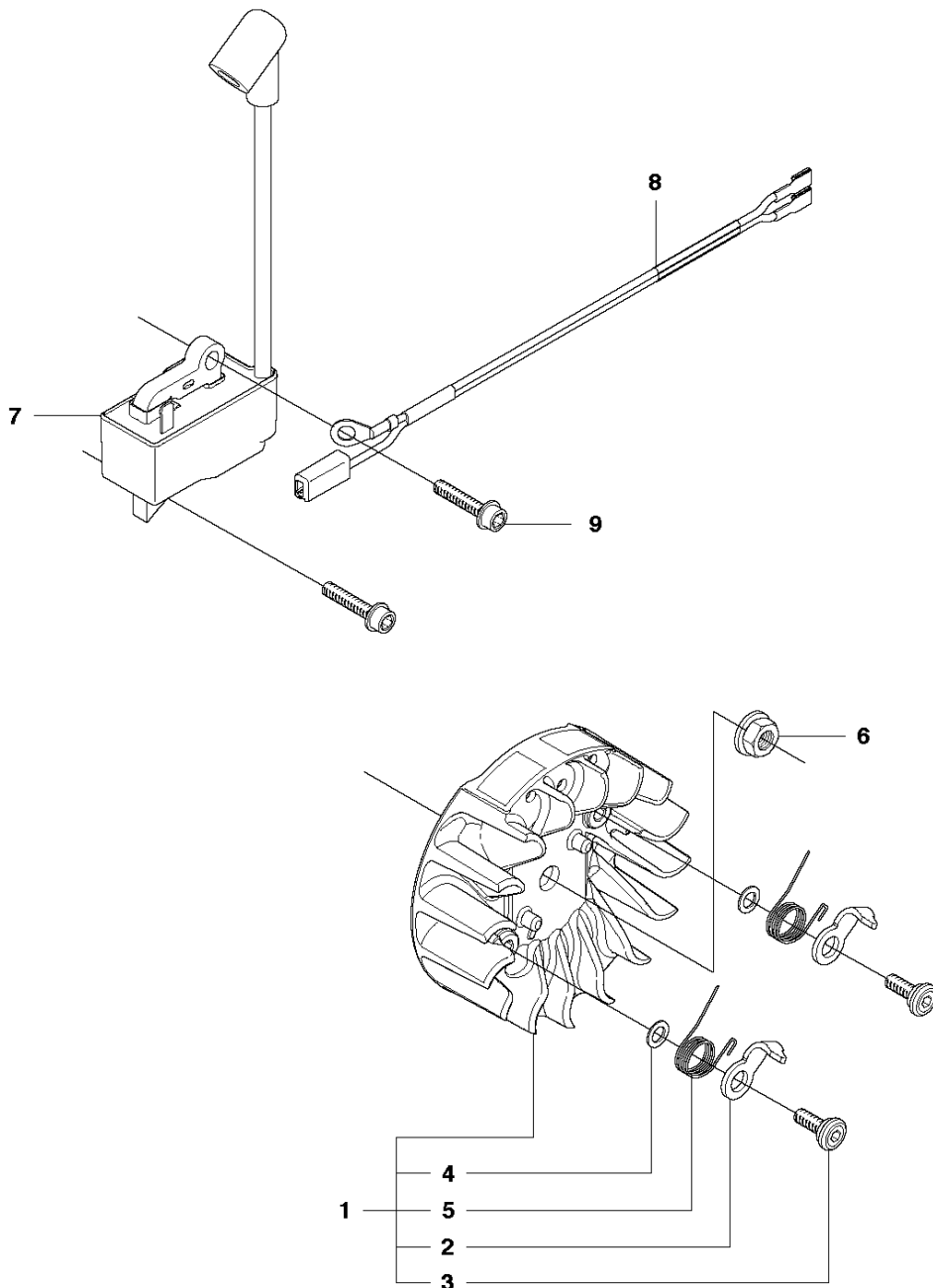


STARTER

135 from 20113100001-current

Ref	Part No	Description	Remark	QTY	KIT
1	504 59 70-02	STARTER ASSY	Starter assy, std	1	
2	504 59 69-01	STARTER	Starter, Std	1	1
3	537 28 32-01	SLEEVE	Reinforcement sleeve	1	1, 2
4	540 05 75-02	SPRING CASSETTE ASSY	Spring cassette assy	1	1
5	503 21 28-10	SCREW CCRPANT	Screw CCRPANT	2	1
6	504 59 71-01	STARTER PULLEY	Starter pulley	1	1
7	503 21 77-16	SCREW IHST	Screw IHST	1	1
8	505 30 51-25	STARTER CORD	Starter cord	1	1
9	537 23 25-01	STARTER HANDLE	Starter handle	1	1
10	503 21 73-21	SCREW	Screw CIHSCTO	4	1
11	504 54 68-03	LABEL	Label, Starter	1	
12	544 19 71-01	AIR CONDUCTOR	Cooling air conductor	1	

E 135
IGNITION SYSTEM

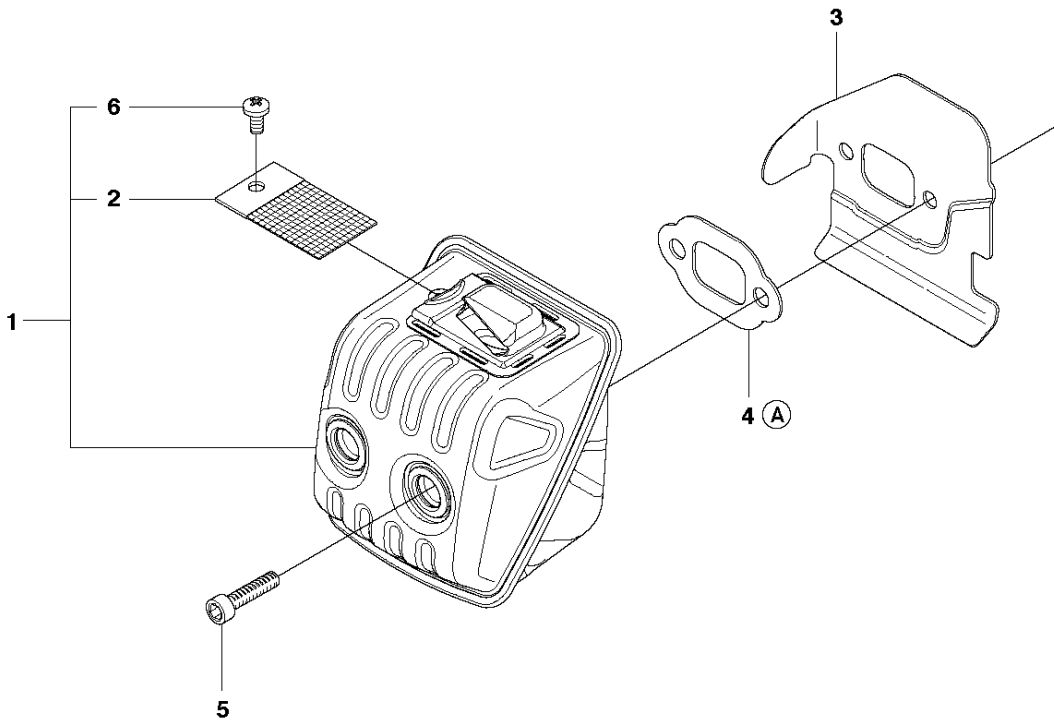


IGNITION SYSTEM

135 from 20113100001-current

Ref	Part No	Description	Remark	QTY	KIT
1	544 87 42-02	FLYWHEEL ASSY	Flywheel assy	1	
2	537 24 56-01	STARTER PAWL	Starter pawl	2	1
3	501 81 99-03	SCREW	Screw	2	1
4	503 23 00-42	WASHER	Washer steel	2	1
5	529 27 11-01	SPRING	Spring	2	1
6	503 22 04-01	NUT	Nut	1	
7	576 70 56-02	IGNITION MODULE	Ignition module	1	
8	510 10 14-01	WIRING ASSY	Wiring assy	1	
9	503 20 02-20	SCREW IHSCFM	Screw IHSCFM	2	

F 135
MUFFLER



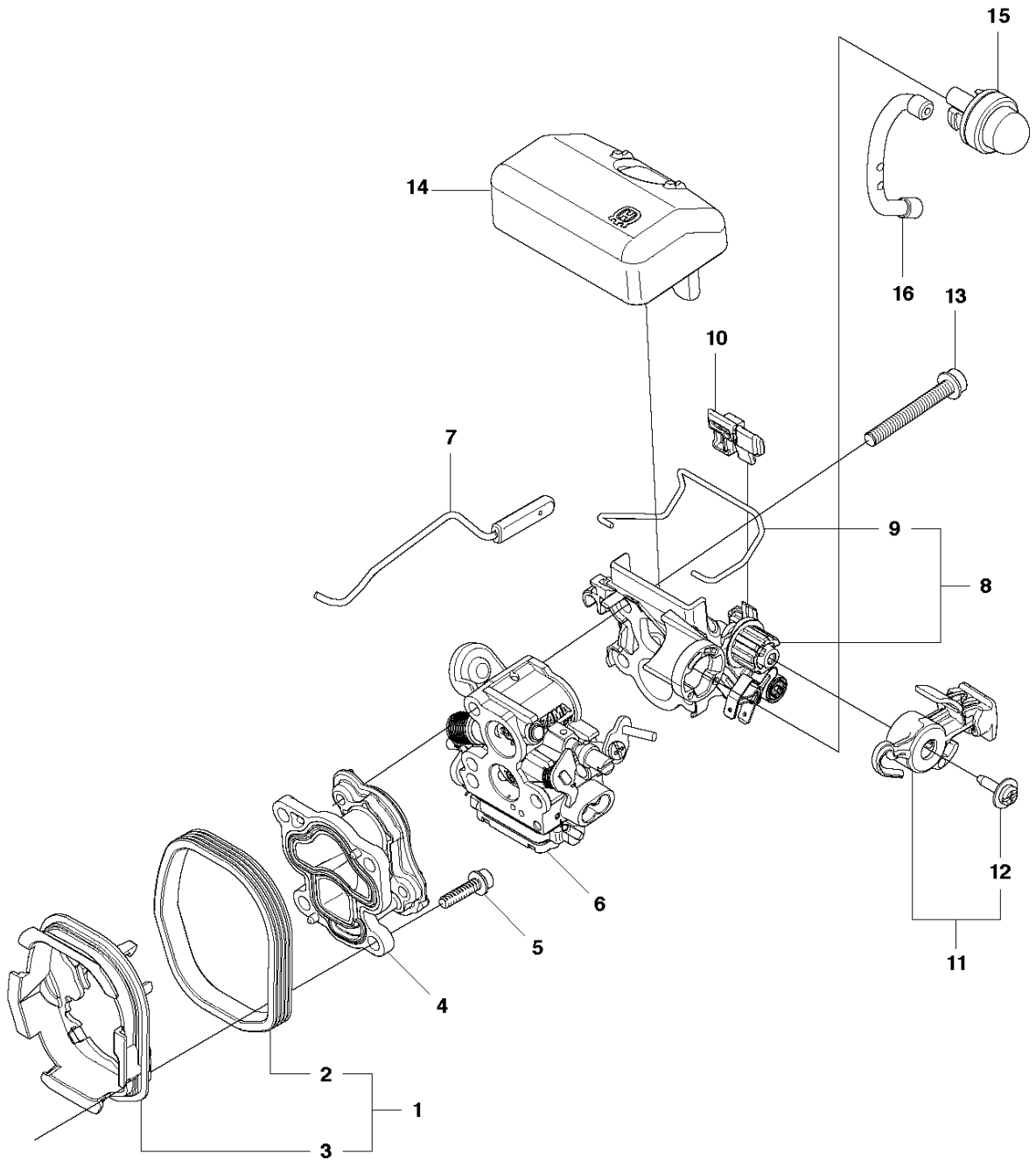
7
Ⓐ 504 79 40-01
Set of gaskets

MUFFLER

135 from 20113100001-current

Ref	Part No	Description	Remark	QTY	KIT
1	544 14 77-02	MUFFLER ASSY	Muffler assy	1	
2	579 75 33-01	SCREEN	Spark arrester	1	1
3	501 32 31-01	HEAT DEFLECTOR	Heat deflector	1	
4	579 75 31-01	GASKET	Gasket	1	7
5	725 53 68-55	SCREW IHSCM	Screw	2	
6	724 12 87-59	SCREW CRPANM	Screw	1	1
7	504 79 40-01	GASKET	Set of gaskets	1	

G 135
CARBURETOR & AIR FILTER

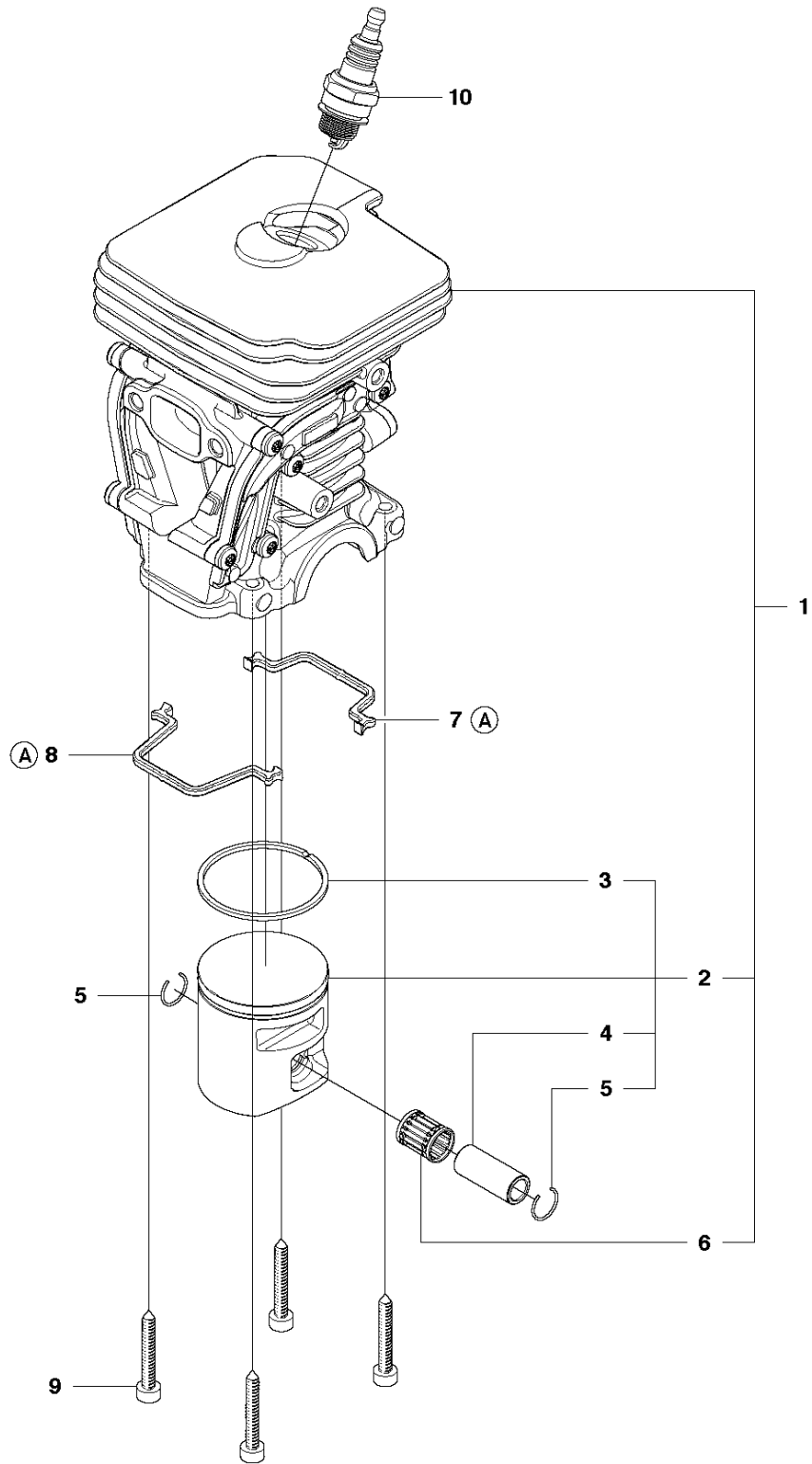


CARBURETOR & AIR FILTER

135 from 20113100001-current

Ref	Part No	Description	Remark	QTY	KIT
1	504 72 47-01	INSULATION WALL	Insulation wall assy	1	
2	504 72 45-01	INSULATION WALL	Insulation wall rubber	1	1
3	504 72 44-01	INSULATION WALL	Inulation wall plastic	1	1
4	504 20 12-01	INLET PIPE	Inlet pipe	1	
5	503 20 02-16	SCREW IHSCFM	Screw	4	
6	506 45 05-01	CARBURETTOR	Carburettor	1	
7	544 28 44-01	THROTTLE ROD ASSY	Throttle rod assy	1	
8	544 97 64-01	FILTER HOLDER	Filter holder assy	1	
9	544 39 26-01	SHACKLE	Shackle	1	8
10	504 71 25-01	GUIDE	Guide sliding shoe	1	
11	544 84 43-02	CONTROL	Control assy	1	
12	544 97 66-01	SCREW	Screw	1	11
13	503 20 02-40	SCREW IHSCFM	Screw	3	
14	544 80 54-02	AIR FILTER	Air filter assy (44 micron)	1	
14	544 80 54-03	AIR FILTER	Air filter assy (felt)	1	
15	503 93 66-01	PURGE	Air purge	1	
16	544 40 19-01	HOSE	Hose, airpurge suction	1	

H 135
CYLINDER PISTON



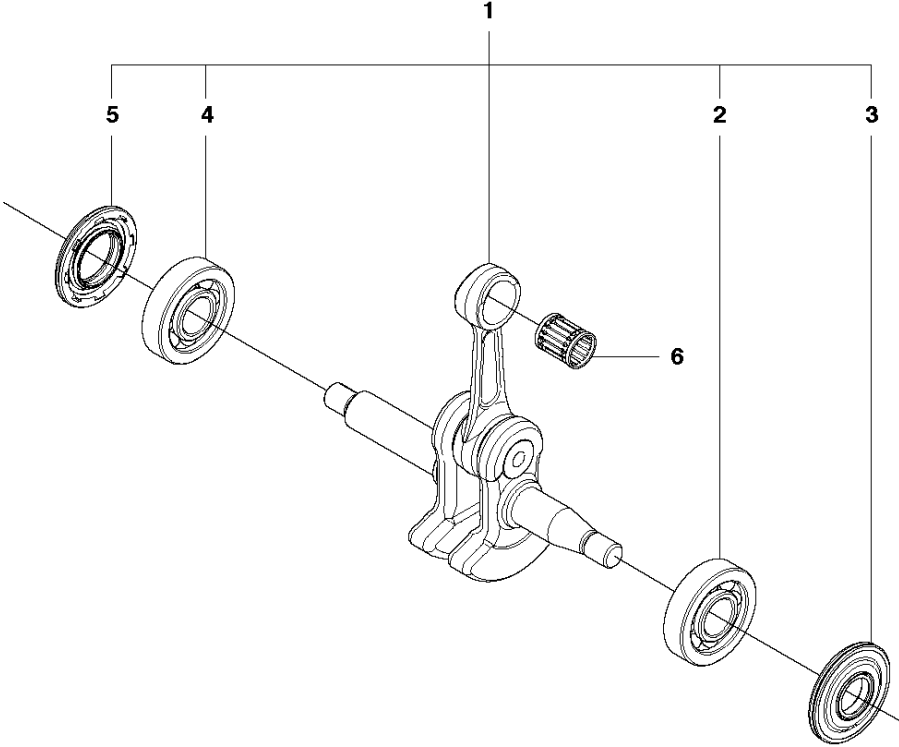
11
Ⓐ 504 79 40-01
Set of gaskets

CYLINDER PISTON

135 from 20113100001-current

Ref	Part No	Description	Remark	QTY	KIT
1	504 73 51-02	CYLINDER	Cylinder assy	1	
2	502 62 50-02	PISTON ASSY	Piston assy	1	1
3	544 40 59-01	PISTON RING	Piston ring	1	2
4	544 40 60-01	PISTON PIN	Piston pin	1	2
5	737 44 10-00	SNAP RING	Circlip	2	2
6	503 41 41-01	NEEDLE BEARING	Needle bearing	1	1
7	544 39 60-01	GASKET	Gasket, cylinder rear	1	11
8	544 39 59-01	GASKET	Gasket, cylinder front	1	11
9	725 53 33-55	SCREW IHSCM	Screw	4	
10	503 23 51-11	SPARK PLUG	Spark plug	1	
11	504 79 40-01	GASKET	Set of gaskets	1	

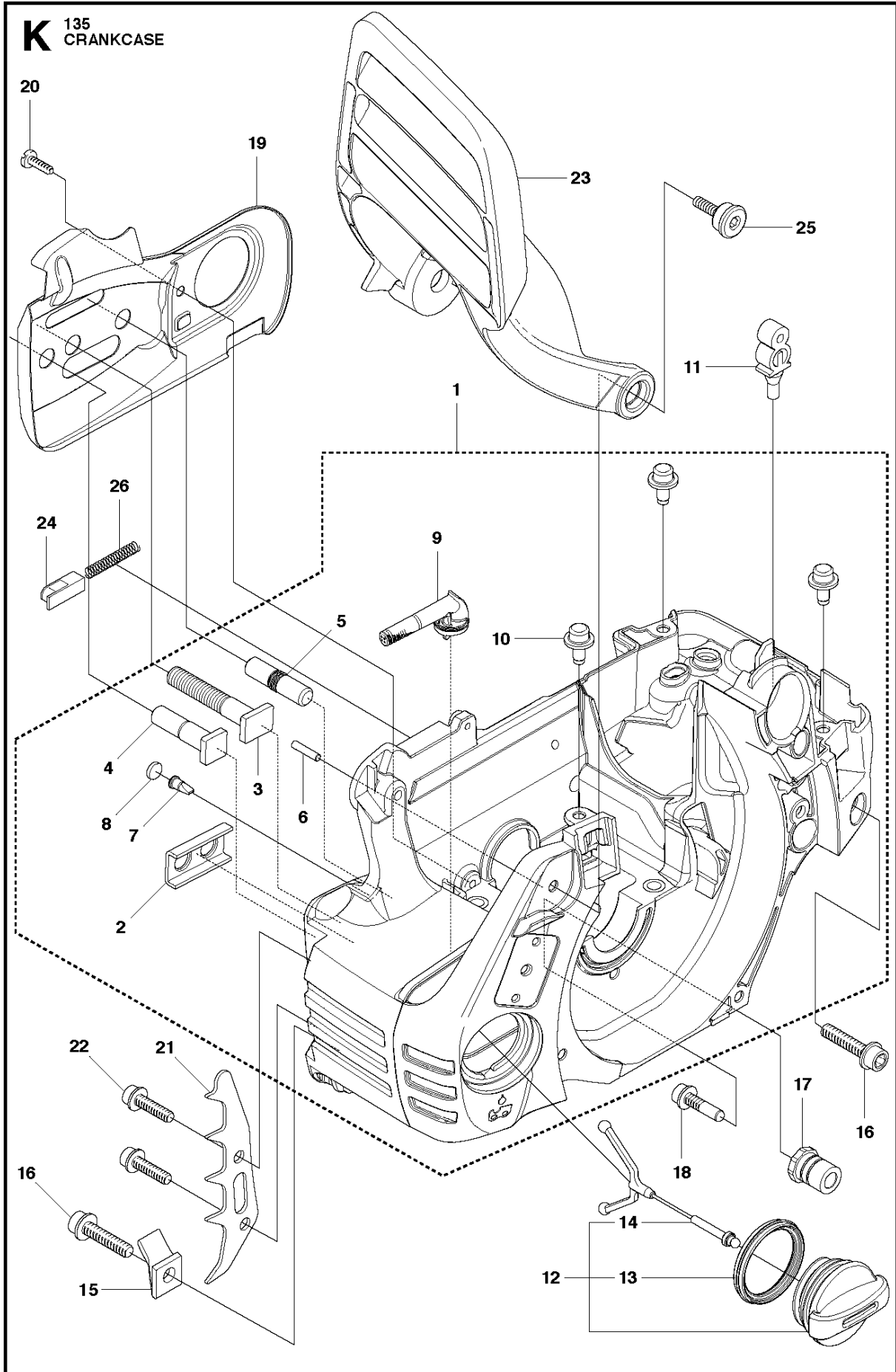
J 135
CRANKSHAFT



CRANKSHAFT

135 from 20113100001-current

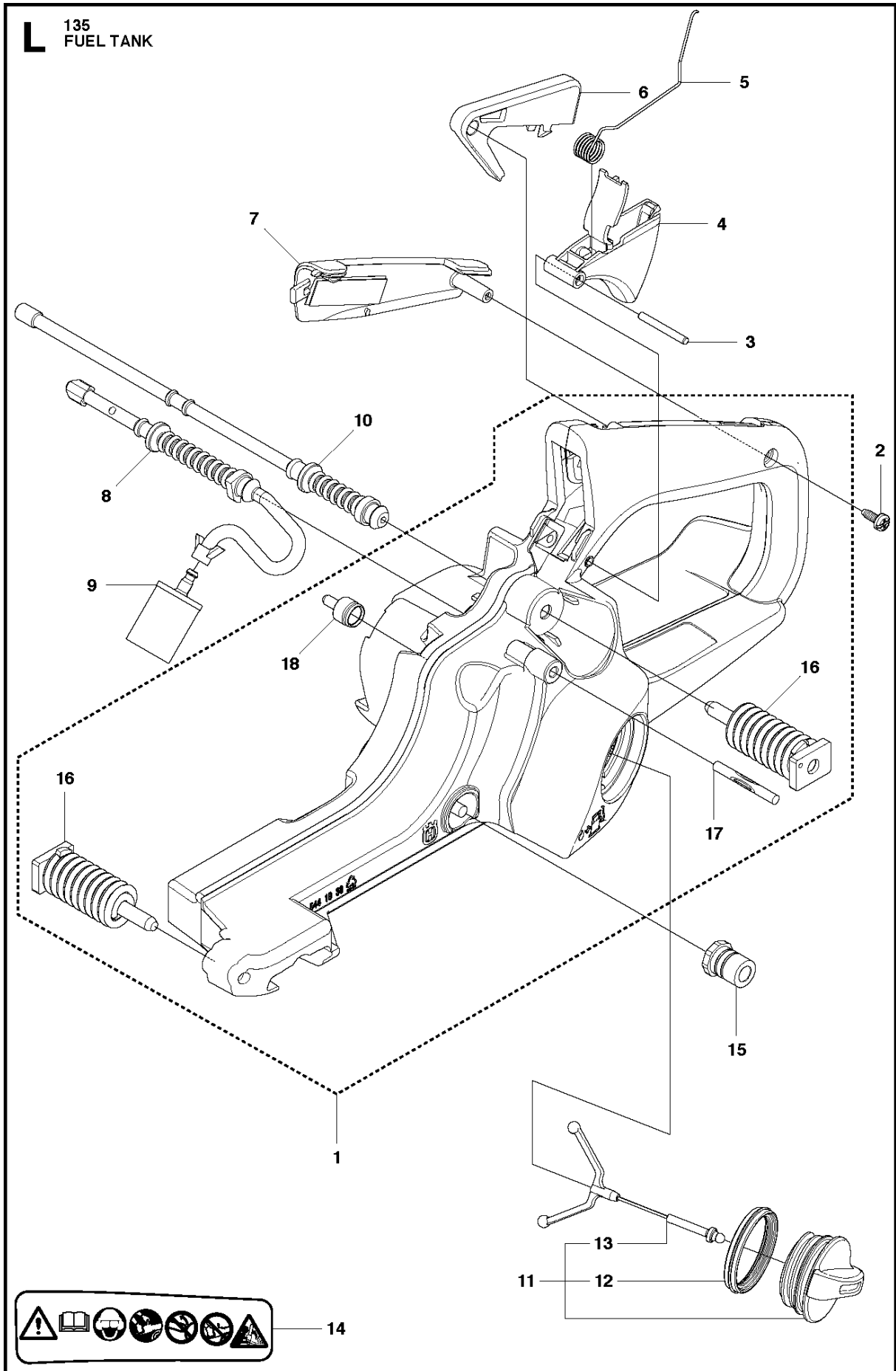
Ref	Part No	Description	Remark	QTY KIT	
1	544 34 38-01	CRANKSHAFT	Crankshaft	1	
2	544 24 87-02	BALL BEARING	Ball bearing 6001 OD32	1	1
3	544 25 12-01	SEALING	Sealing 12x32x3,7	1	1
4	544 24 88-02	BALL BEARING	Ball bearing 6001 OD32w	1	1
5	544 25 13-01	SEALING	Sealing 16,6x32,3,7	1	1
6	503 41 41-01	NEEDLE BEARING	Needle bearing	1	



CRANKCASE

135 from 20113100001-current

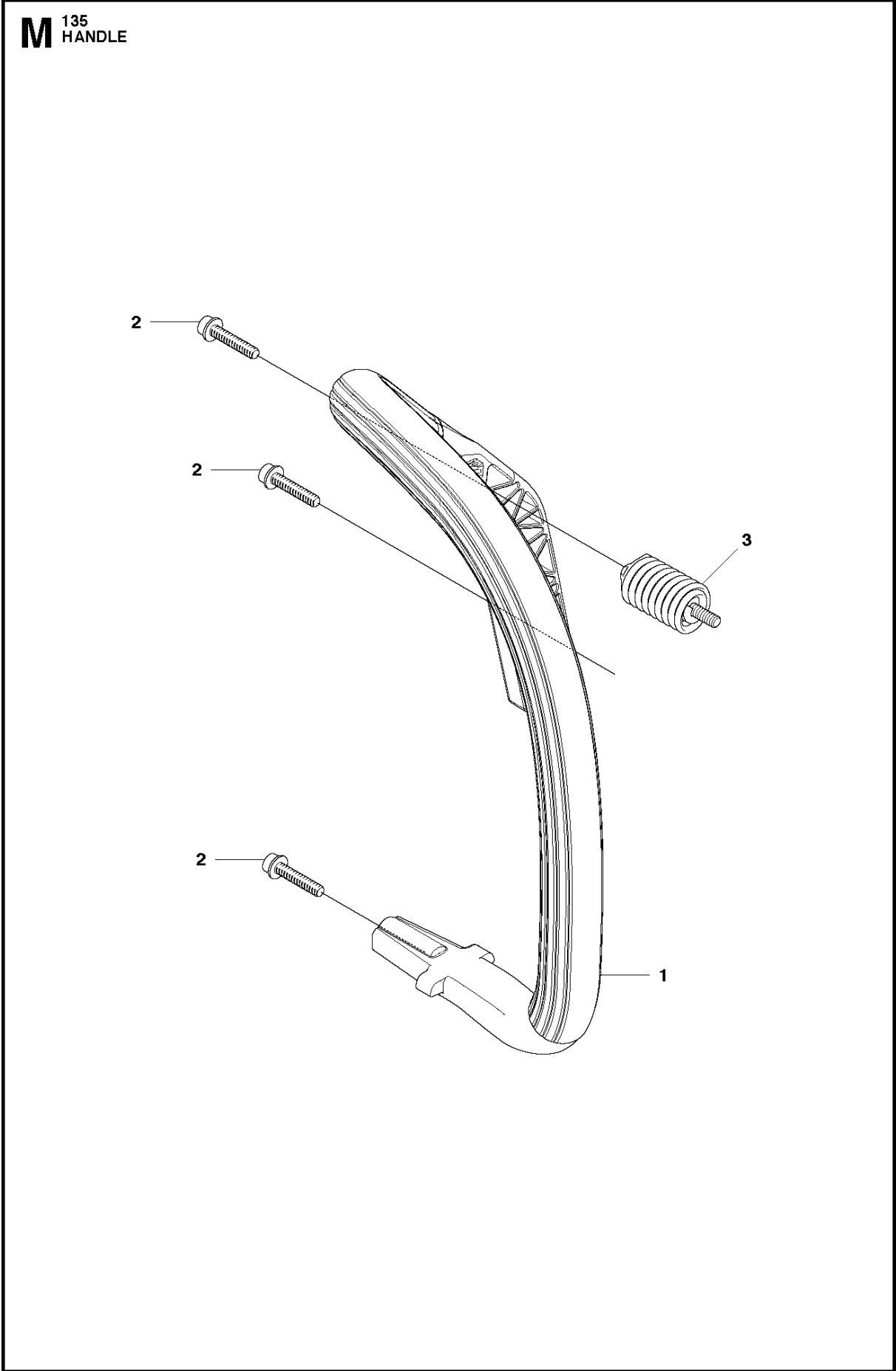
Ref	Part No	Description	Remark	QTY	KIT
1	544 93 25-01	CRANKCASE ASSY	Crankcase assy	1	
2	503 87 58-02	STIFFENING PLATE	Stiffening plate	1	1
3	503 87 54-02	BAR BOLT	Bar bolt	1	1
4	537 33 46-01	BAR BOLT	Bar bolt	1	1
5	544 03 64-01	BAR BOLT	Bar bolt	1	1
6	503 24 09-05	NEEDLE ROLLER	Needle roller	1	1
7	530 02 61-19	CHECK VALVE	Check valve	1	1
8	537 40 35-01	FILTER	Filter	1	1
9	544 08 33-01	OIL SCREEN	Oil screen	1	1
10	544 33 16-01	GUIDE PIN	Guide pin	3	1
11	503 86 93-01	SUPPORT	Support	1	
12	544 11 12-01	TANK CAP ASSY	Tank cap assy	1	
13	537 21 50-01	SEALING	Sealing	1	12
14	503 57 89-01	HOLDER	Holder	1	12
15	503 88 63-01	PIN	Chain catcher pin	1	
16	503 21 88-76	SCREW IHSCCT	Screw	2	
17	501 00 76-01	SUPPORT	Lateral support	1	
18	503 21 51-03	SCREW IHSCCT	Screw	1	
19	544 28 46-01	CHAIN GUIDE PLATE	Chain guide plate	1	
20	503 21 70-10	SCREW CCRPANT	Screw	1	
21	544 28 65-01	SPIKE	Spike inner	1	
22	503 21 75-20	SCREW IHSCFT	Screw	2	
23	544 25 15-01	HAND GUARD	Hand guard	1	
24	503 89 24-01	LOCK	Catch	1	
25	503 89 30-01	SCREW	Screw	2	
26	503 43 65-01	POSITION SPRING	Lock spring	1	



FUEL TANK

135 from 20113100001-current

Ref	Part No	Description	Remark	QTY	KIT
1	544 19 38-07	FUEL TANK	Fuel tank assy	1	
2	503 21 28-10	SCREW CCRPANT	Screw	1	
3	720 18 25-20	PARALLEL PIN	Pin	1	
4	544 96 85-01	THROTTLE CONTROL	Throttle control	1	
5	544 09 99-01	SPRING	Spring	1	
6	544 28 41-01	THROTTLE LOCKOUT	Throttle lockout	1	
7	544 28 49-01	HANDLE INSERT	Handle insert	1	
8	544 12 86-01	FUEL HOSE	Fuel hose	1	
9	503 44 32-01	FUEL FILTER	Filter mix	1	
10	544 12 97-01	RETURN HOSE	Return hose	1	
11	544 11 12-01	TANK CAP ASSY	Tank cap assy	1	
12	537 21 50-01	SEALING	Sealing	1	11
13	503 57 89-01	HOLDER	Holder	1	11
14	544 37 50-01	LABEL	Decal warning	1	
15	501 00 76-01	SUPPORT	Lateral support	1	
16	504 79 56-01	ANTIVIBRATION ELEMENT	Antivibration element	2	1
17	721 12 63-39	GROOVED PIN	Grooved pin	1	1
18	537 35 95-01	TANK VENT ASSY	Fuel tank vent	1	1

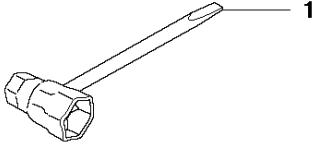


HANDLE

135 from 20113100001-current

Ref	Part No	Description	Remark	QTY KIT
1	544 28 40-01	FRONT HANDLE	Front handle	1
2	503 21 88-76	SCREW IHST	Screw	3
3	503 89 83-01	ANTIVIBRATION ELEMENT	Antivibration element	1

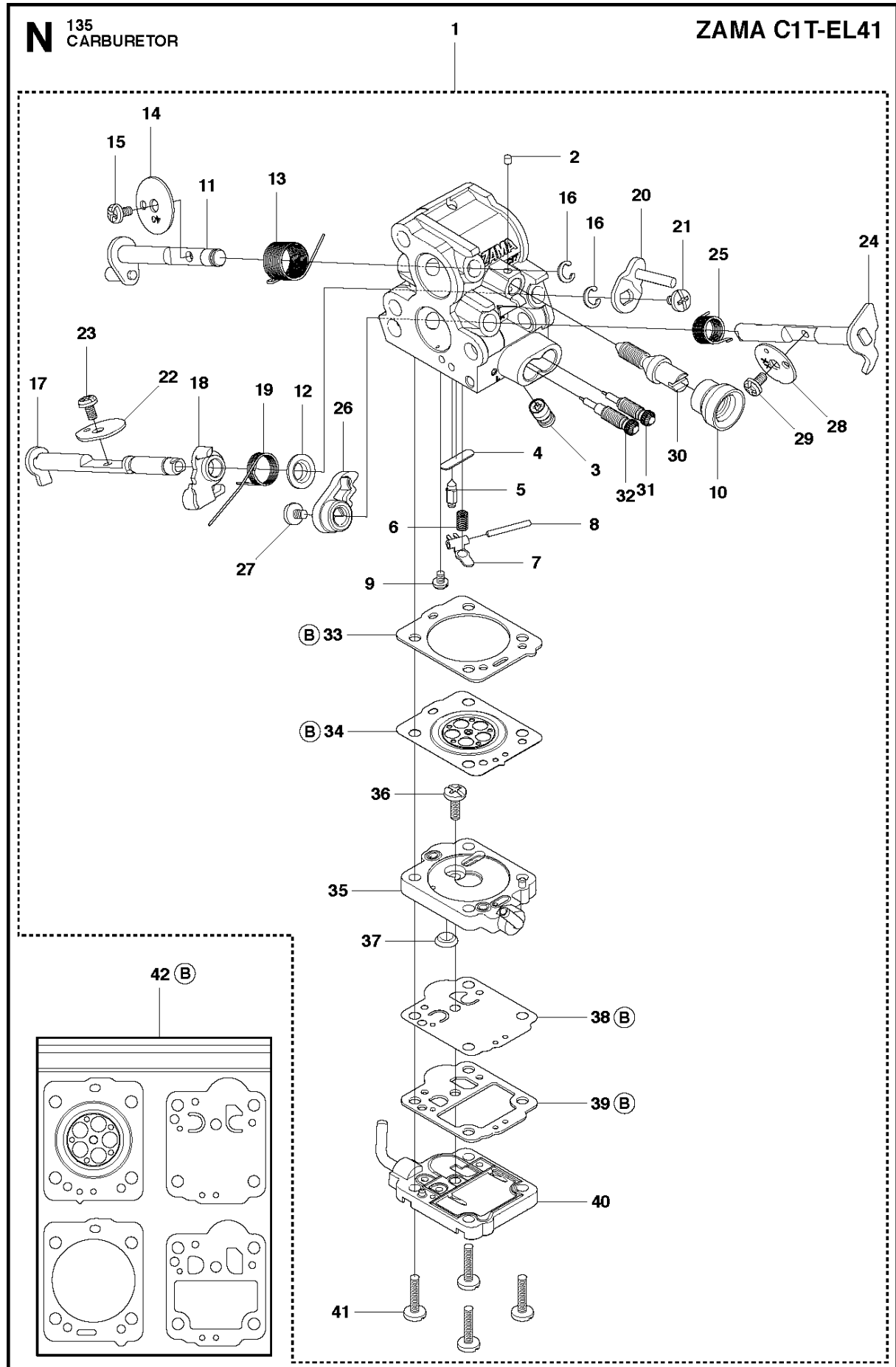
P 135
ACCESSORIES



ACCESSORIES

135 from 20113100001-current

Ref	Part No	Description	Remark	QTY KIT
1	503 55 85-04	TOOL	Tool	1

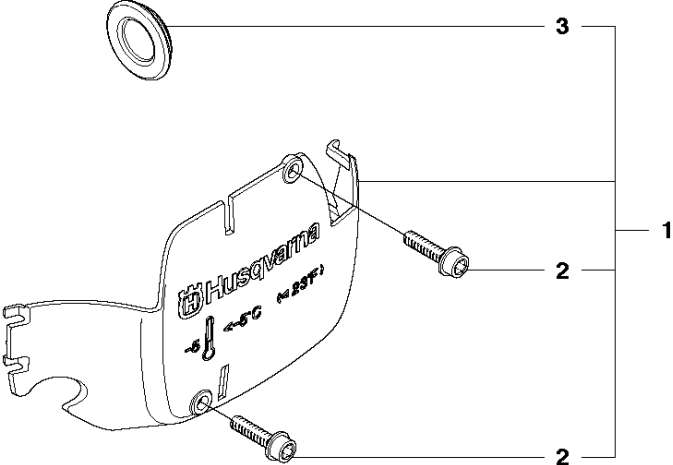


CARBURETOR

135 from 2011310001-current

Ref	Part No	Description	Remark	QTY	KIT
1	506 45 05-01	CARBURETTOR	Zama C1T-EL41	1	
2	503 48 11-01	PIECE	Piece	1	1
3	504 02 40-01	NOZZLE ASSY	Nozzle assy	1	1
4	503 53 56-01	PLUG WELCH	Plug welch	1	1
5	503 47 97-01	VALVE	Valve	1	1
6	537 02 03-01	SPRING	Spring	1	1
7	503 66 59-01	LEVER	Lever	1	1
8	503 48 00-01	PIN RETAINING SCREW	Pin retaning screw	1	1
9	504 02 41-01	SCREW	Screw	1	1
10	505 53 52-01	HUB CAP	Cap	1	1
11	504 02 61-01	SHAFT ASSY	Shaft assy	1	1
12	505 11 07-01	COLLAR	Collar	1	1
13	504 02 85-01	SPRING	Spring	1	1
14	504 02 75-01	VALVE	Valve	1	1
15	503 48 18-01	SCREW	Screw	2	1
16	504 02 67-01	CIRCLIP	Circlip	2	1
17	504 02 62-01	SHAFT ASSY	Shaft assy	1	1
18	540 05 37-01	LEVER	Lever	1	1
19	504 02 83-01	SPRING	Spring	1	1
20	504 02 63-01	LEVER	Lever	1	1
21	503 47 90-01	SCREW	Screw	2	1
22	504 02 74-01	VALVE	Valve	1	1
23	503 48 18-01	SCREW	Screw	2	1
24	504 02 60-01	SHAFT ASSY	Shaft assy	1	1
25	504 02 84-01	SPRING	Spring	1	1
26	544 98 31-01	LEVER	Lever	1	1
27	503 47 90-01	SCREW	Screw	2	1
28	504 02 76-01	VALVE	Valve	1	1
29	503 47 92-01	SCREW	Screw	1	1
30	504 02 73-01	SCREW	Screw	1	1
31	504 90 92-01	SCREW	Screw	1	1
32	504 02 81-01	SCREW	Screw	1	1
33	504 02 43-01	GASKET	Gasket	1	1, 42
34	504 02 45-01	DIAPHRAGM	Diaphragm	1	1, 42
35	504 02 46-01	BODY	Body	1	1
36	504 02 82-01	SCREW	Screw	1	1
37	504 02 50-01	STRAINER	Strainer	1	1
38	504 02 56-01	DIAPHRAGM	Diaphragm	1	1, 42
39	504 02 57-01	GASKET	Gasket	1	1, 42
40	504 02 59-01	COVER	Cover	1	1
41	504 02 78-01	SCREW	Screw	4	1
42	504 02 86-01	GASKET KIT	Set of gaskets	1	

Q 135
WINTER KIT



Ref	Part No	Description	Remark	QTY KIT	
1	505 45 04-01	WINTER KIT	Winter kit	1	
2	503 21 70-16	SCREW CCRPANT	Screw	2	1
3	503 40 59-01	WINTER PLUG	Winter plug	1	1