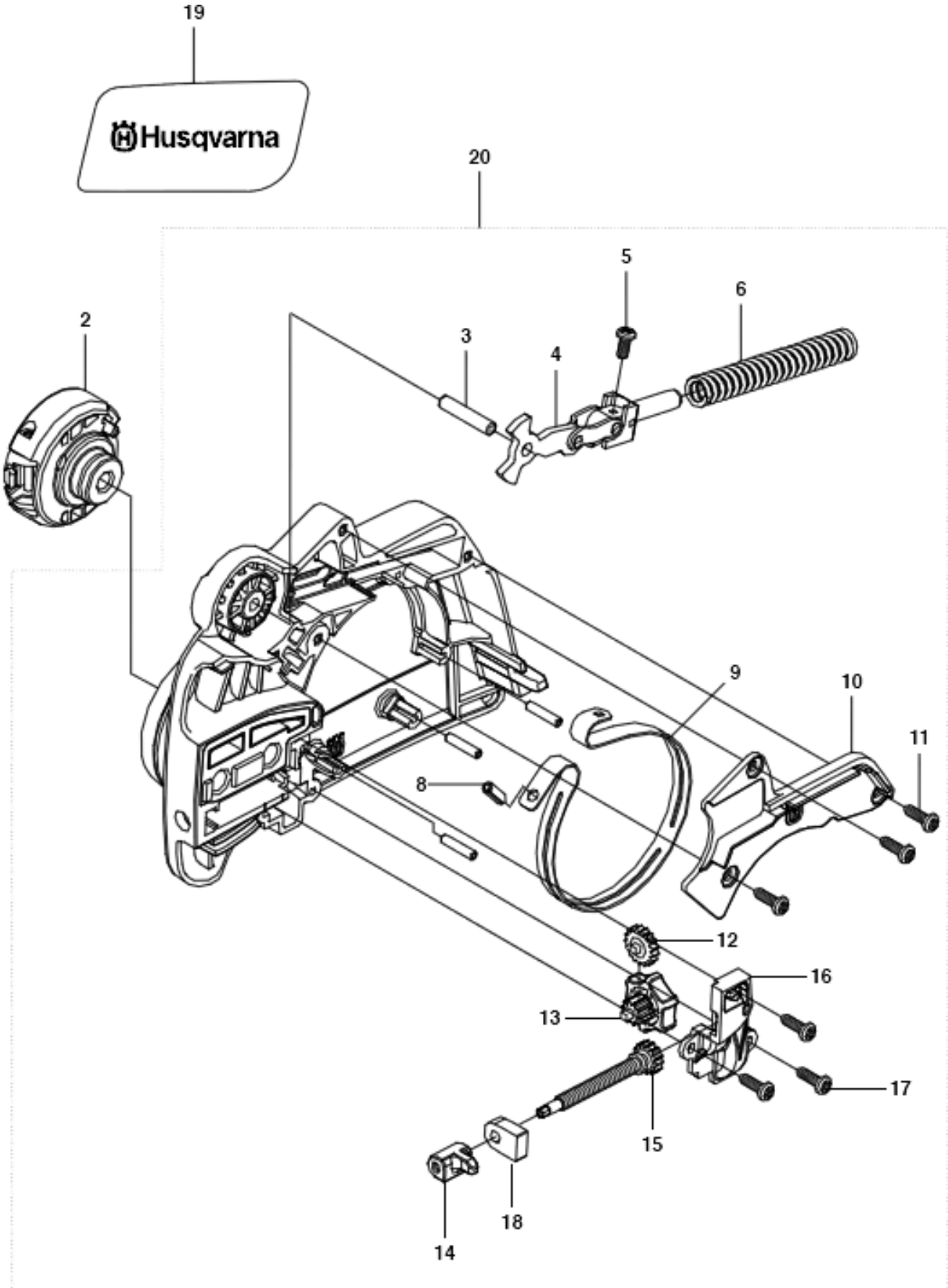




# SPARE PARTS LIST

## CHAIN SAWS

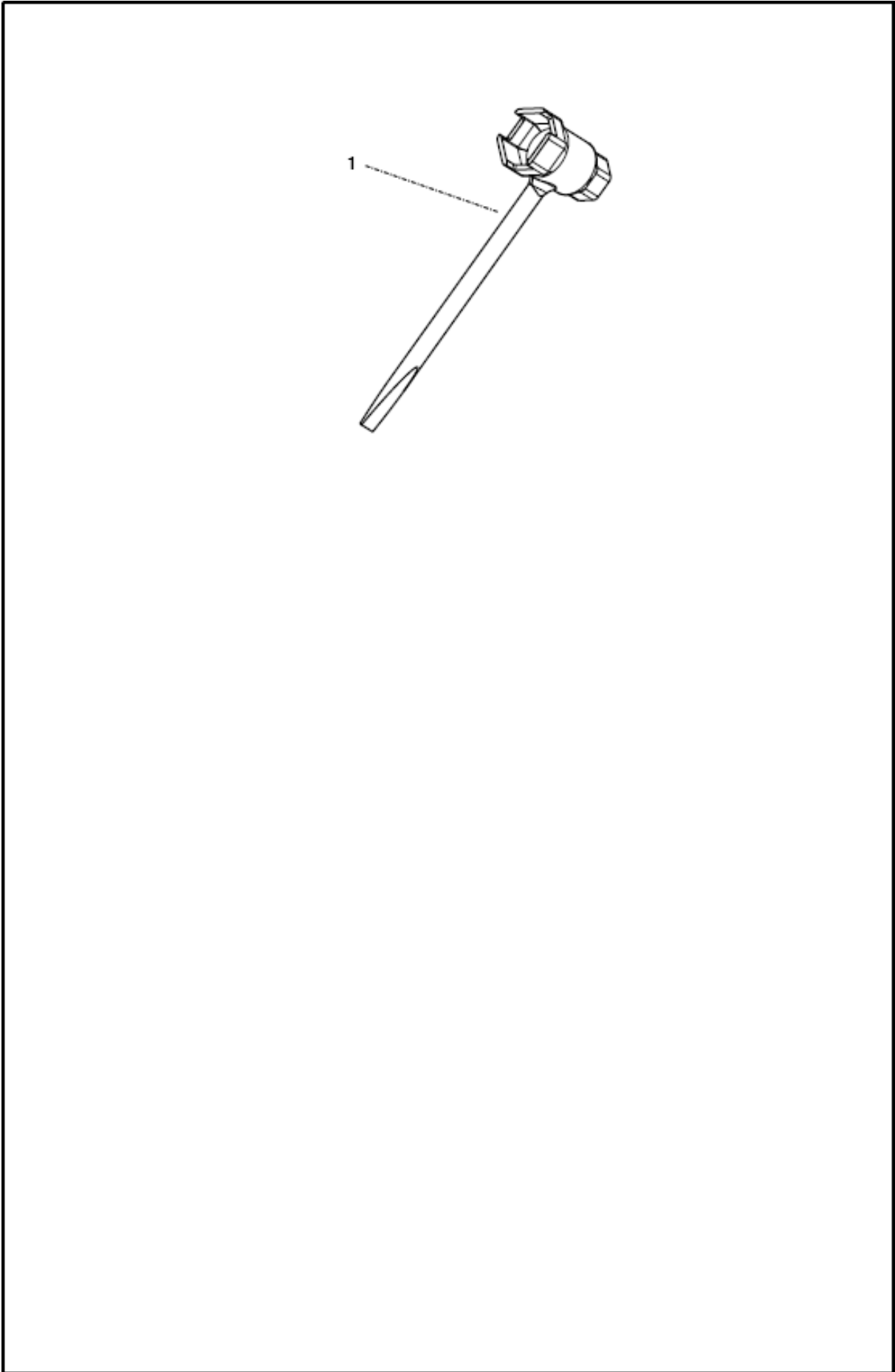
120e MARK II, 967861908, 967861909,  
967861910, 967861911, 2018-05



## CHAIN BRAKE

120e MARK II, 967861908, 967861909, 967861910, 967861911, 2018-05

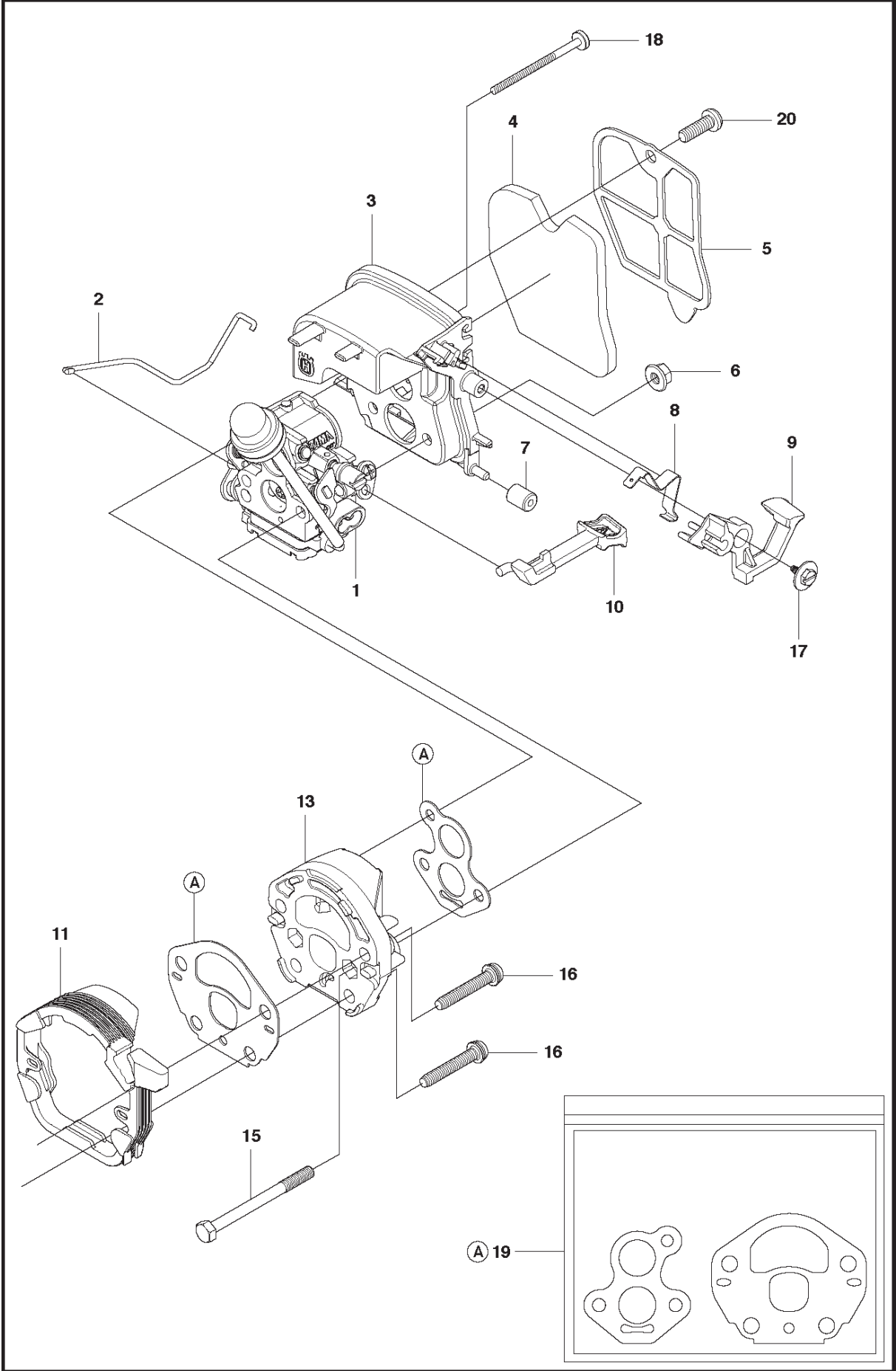
Ref	Part No	Description	Remark	QTY	KIT
2	579 07 06-01	KNOB		1	
3	530 05 79-50	PIN. DOWEL		1	
4	530 05 79-40	ASSY. FRONT LINK		1	
5	574 78 03-01	SCREW		1	
6	530 01 64-15	SPRING COMPRESSION		1	
8	530 01 59-13	PEN		1	
9	530 05 79-23	BRAKE BAND		1	
10	525 74 30-01	COVER		1	
11	545 22 71-01	SCREW		3	
12	545 06 02-01	GEAR		1	
13	525 88 42-01	WORM GEAR ASSY		1	
14	574 20 17-01	PEN		1	
15	545 06 59-01	ADJUSTER		1	
16	545 05 92-01	COVER		1	
17	545 22 71-01	SCREW		3	
18	525 35 43-01	BEARING SLEEVE		1	
19	545 11 86-01	DECAL		1	
20	525 61 14-01	CHAIN BRAKE		1	3-18



## ACCESSORIES

120e MARK II, 967861908, 967861909, 967861910, 967861911, 2018-05

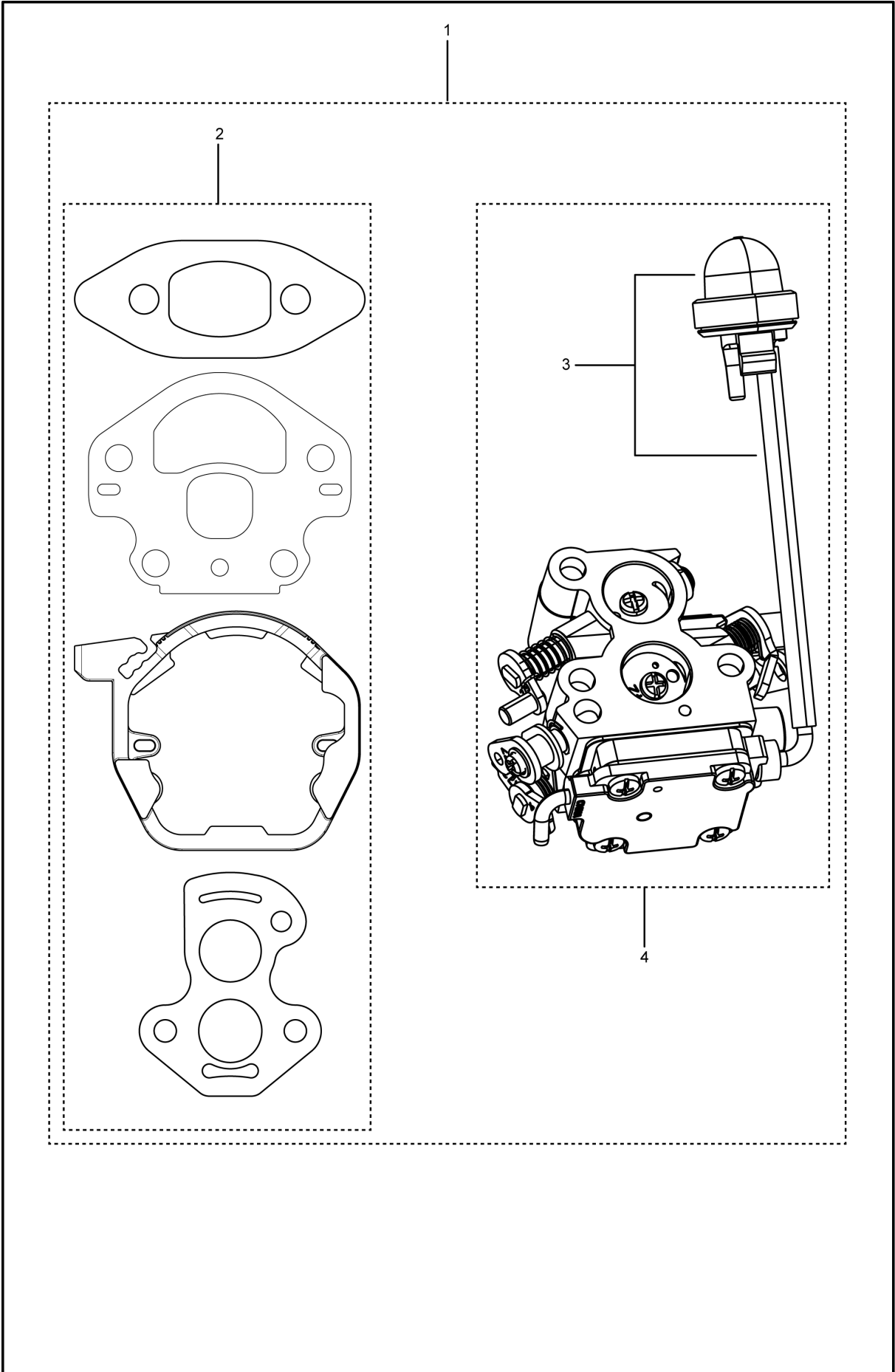
Ref	Part No	Description	Remark	QTY KIT
1	587 46 54-01	WRENCH	WRENCH CHAINBRAKE RESET	1



CARBURETOR & AIR FILTER  
2018-05

120e MARK II, 967861908, 967861909, 967861910, 967861911,

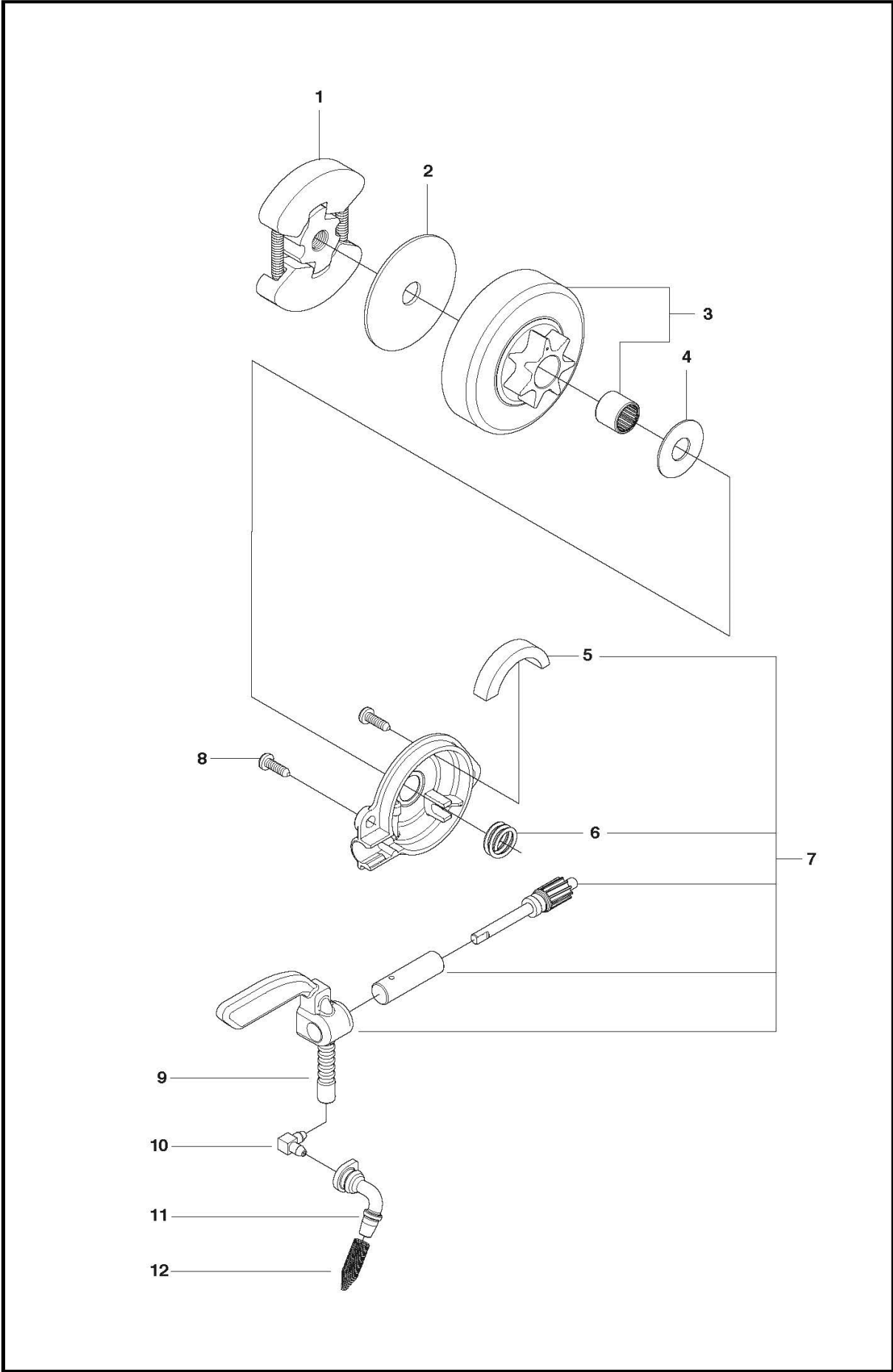
Ref	Part No	Description	Remark	QTY KIT
1	586 93 62-02	CARBURETTOR	CARBURETOR WITH PURGE BULB	1
2	577 81 52-01	THROTTLE	THROTTLE WIRE	1
3	575 49 34-01	AIR FILTER	HOUSING	1
4	545 06 18-01	AIR FILTER	AIR FILTER	1
5	545 15 18-01	FILTER	FILTER PLATE	1
6	530 01 61-01	NUT	NUT	2
7	545 06 19-01	ISOLATOR	ISOLATOR FILTER HOUSING	1
8	545 06 34-01	SWITCH. SPRING	SWITCH SPRING	1
9	545 06 17-01	SWITCH LEVER	SWITCH LEVER	1
10	545 06 16-01	CHOKE KNOB	CHOKE KNOB	1
11	545 06 15-01	CARB ADAPTOR SEAL	CARB ADAPTOR SEAL	1
13	577 63 65-01	ADAPTOR	ADAPTOR CARBURETOR	1
15	545 03 37-01	STUD-CARBURETOR	STUD-CARBURETOR	2
16	545 15 83-01	CARB ADAPTOR SCREW	CARB ADAPTOR SCREW	4
17	530 01 60-80	SCREW	SCREW	1
18	545 07 49-01	TOP STUD-CARBURETOR	TOP STUD- CARBURETOR	1
19	545 08 18-92	GASKET KIT	GASKET KIT	1
20	530 01 63-49	SCREW	SCREW	1





CARBURETOR DETAILS 120e MARK II, 967861908, 967861909, 967861910, 967861911, 2018-05

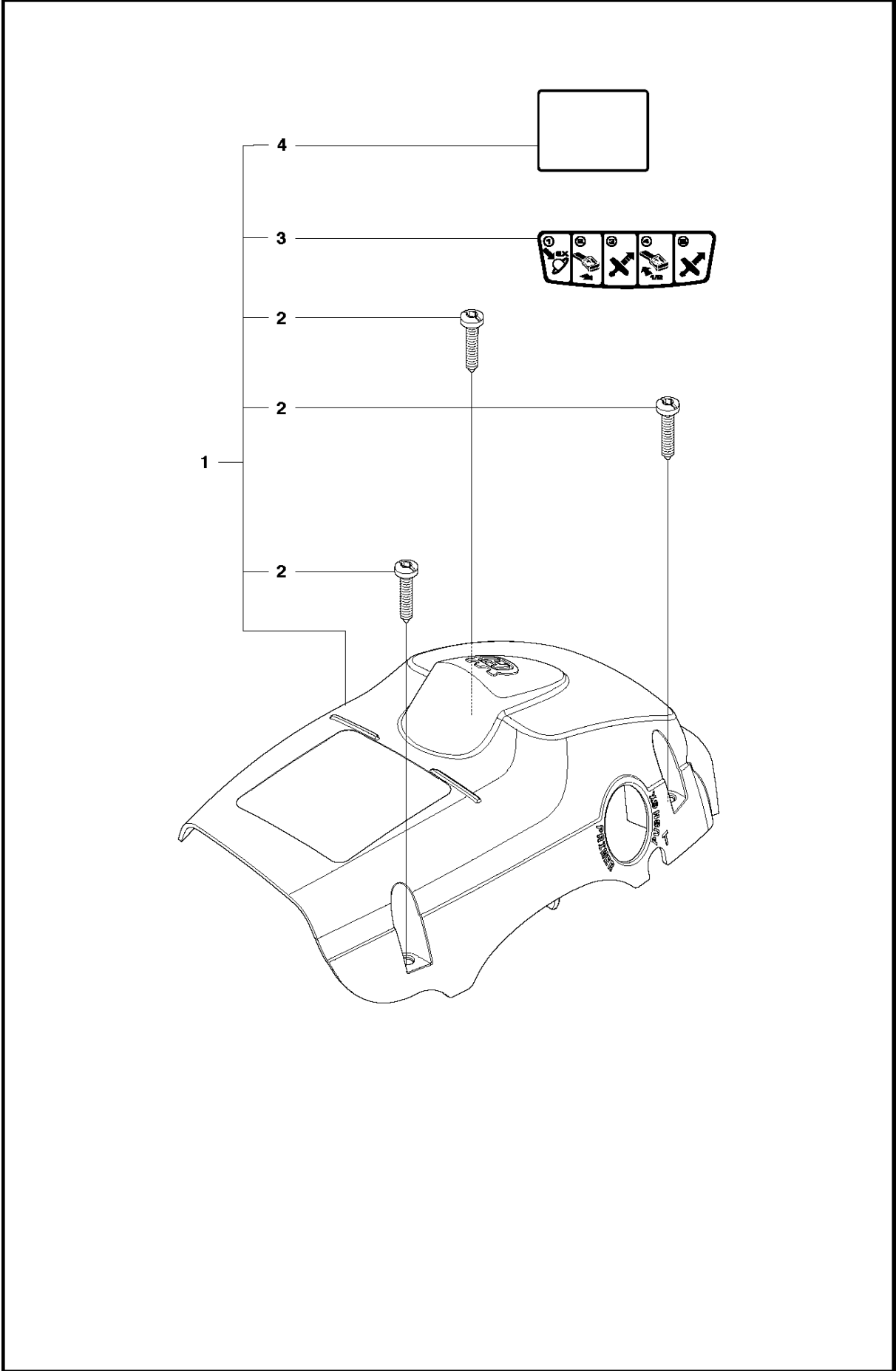
Ref	Part No	Description	Remark	QTY KIT
1	587 60 97-01	KIT	KIT CARB REPAIR	1
2	573 97 76-01	KIT	CARBURETOR GASKET	1
3	545 00 80-30	PURGE AND LINE ASSEMBLY	PURGE AND LINE ASSEMBLY	1
4	586 93 62-02	CARBURETTOR	CARBURETOR	1



## CLUTCH &amp; OIL PUMP

120e MARK II, 967861908, 967861909, 967861910, 967861911, 2018-05

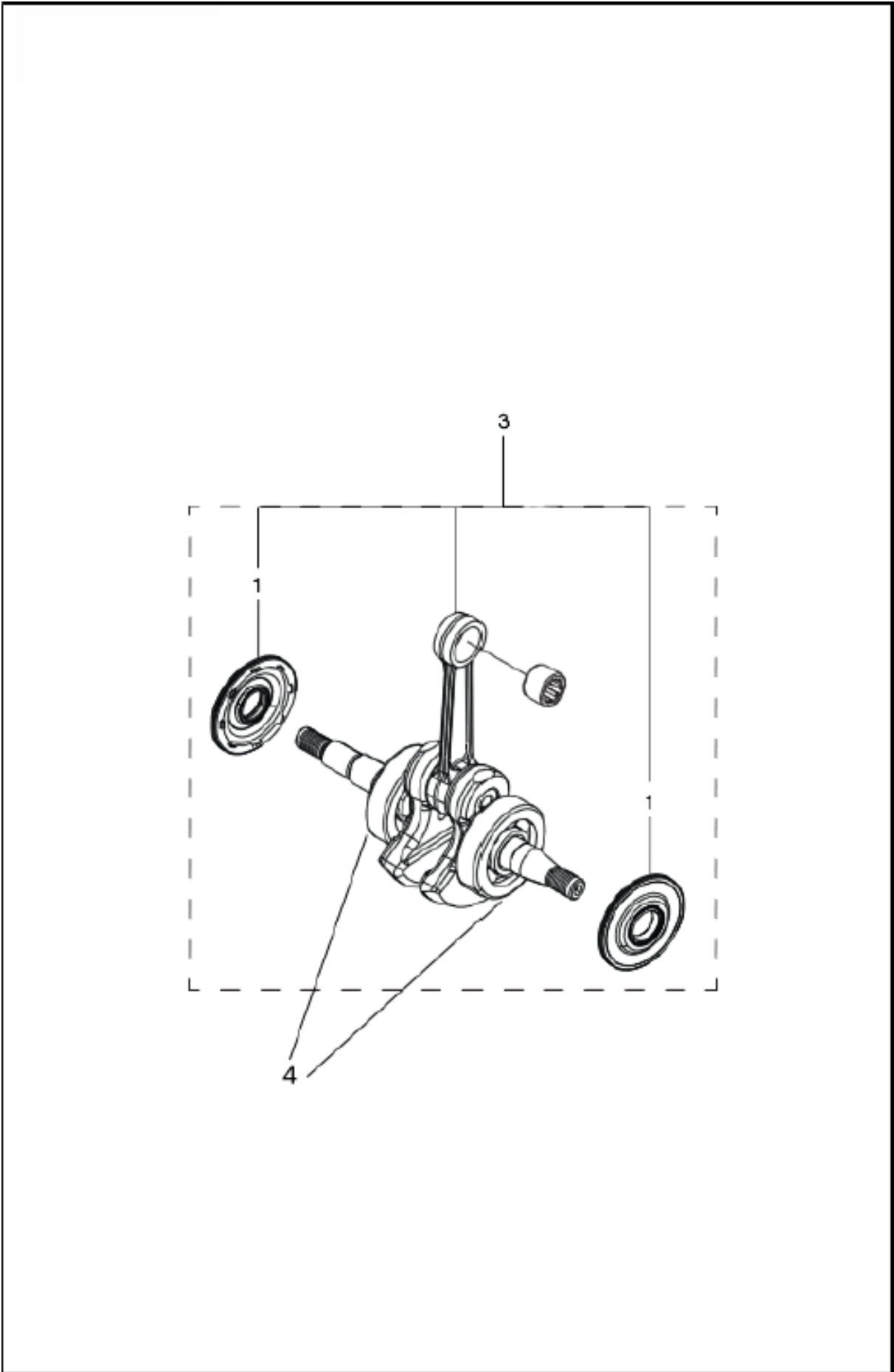
Ref	Part No	Description	Remark	QTY KIT
1	530 01 49-49	CLUTCH	CLUTCH	1
2	530 01 56-11	WASHER	WASHER	1
3	530 04 70-61	CLUTCH DRUM ASSY	CLUTCH DRUM ASSY SPUR 3/8" 6T	1
4	579 62 15-01	WASHER	WASHER THRUST	1
5	525 31 84-01	DUST SEAL	DUST SEAL OIL PUMP	1
6	530 03 78-20	WORM GEAR	PISTON	1
7	581 06 39-01	OIL PUMP ASSY	OIL PUMP ASSY COMPLETE	1
9	545 22 75-01	BLOCK	BLOCK OIL	1
10	530 04 94-77	ELBOW	ELBOW	1
11	545 06 94-01	SEAL	SEAL	1
12	530 05 65-33	SCREEN	SCREEN	1



COVER

120e MARK II, 967861908, 967861909, 967861910, 967861911, 2018-05

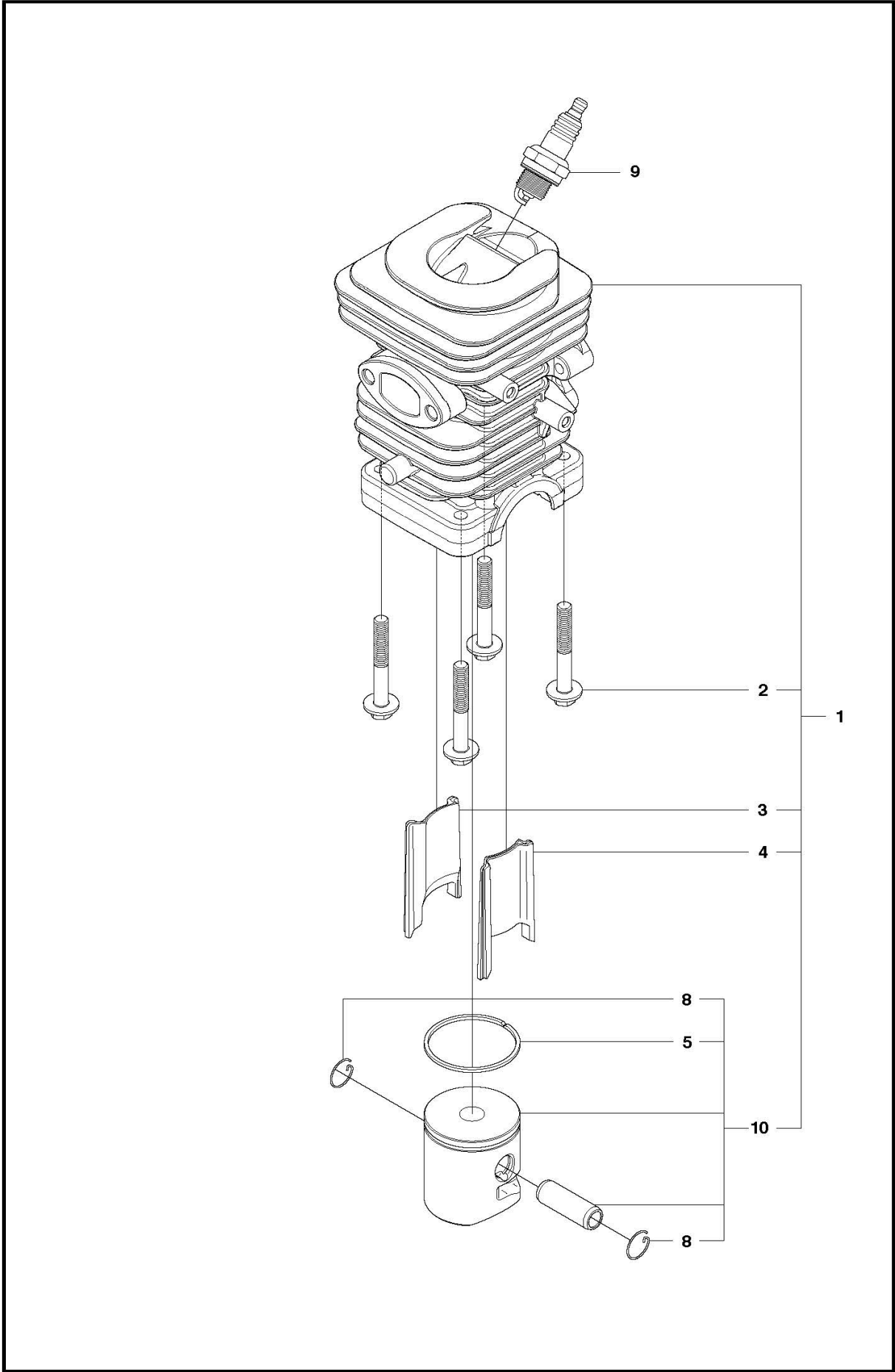
Ref	Part No	Description	Remark	QTY	KIT
1	576 54 32-01	KIT	KIT CYLINDER SHIELD	1	2,3,4
2	574 32 06-01	SCREW	SCREW M5-0.8X25	3	
3	545 11 65-02	DECAL	DECAL STARTING INSTRUCTIONS	1	
4	545 16 59-57	SIGN	DECAL WARNING	1	
NI	579 17 34-01	KIT	KIT CHASSIS BRASS INSERTS	1	



## CRANKSHAFT

120e MARK II, 967861908, 967861909, 967861910, 967861911, 2018-05

Ref	Part No	Description	Remark	QTY KIT
1	581 60 80-01	SEAL	SEAL RADIAL BEARING 12 X 36.2 X 3.7	2
3	577 83 08-02	KIT	KIT CRANKSHAFT COMPLETE HARDMOUNT BEARING	1
4	585 62 14-01	BEARING	BEARING 37MM OD	2

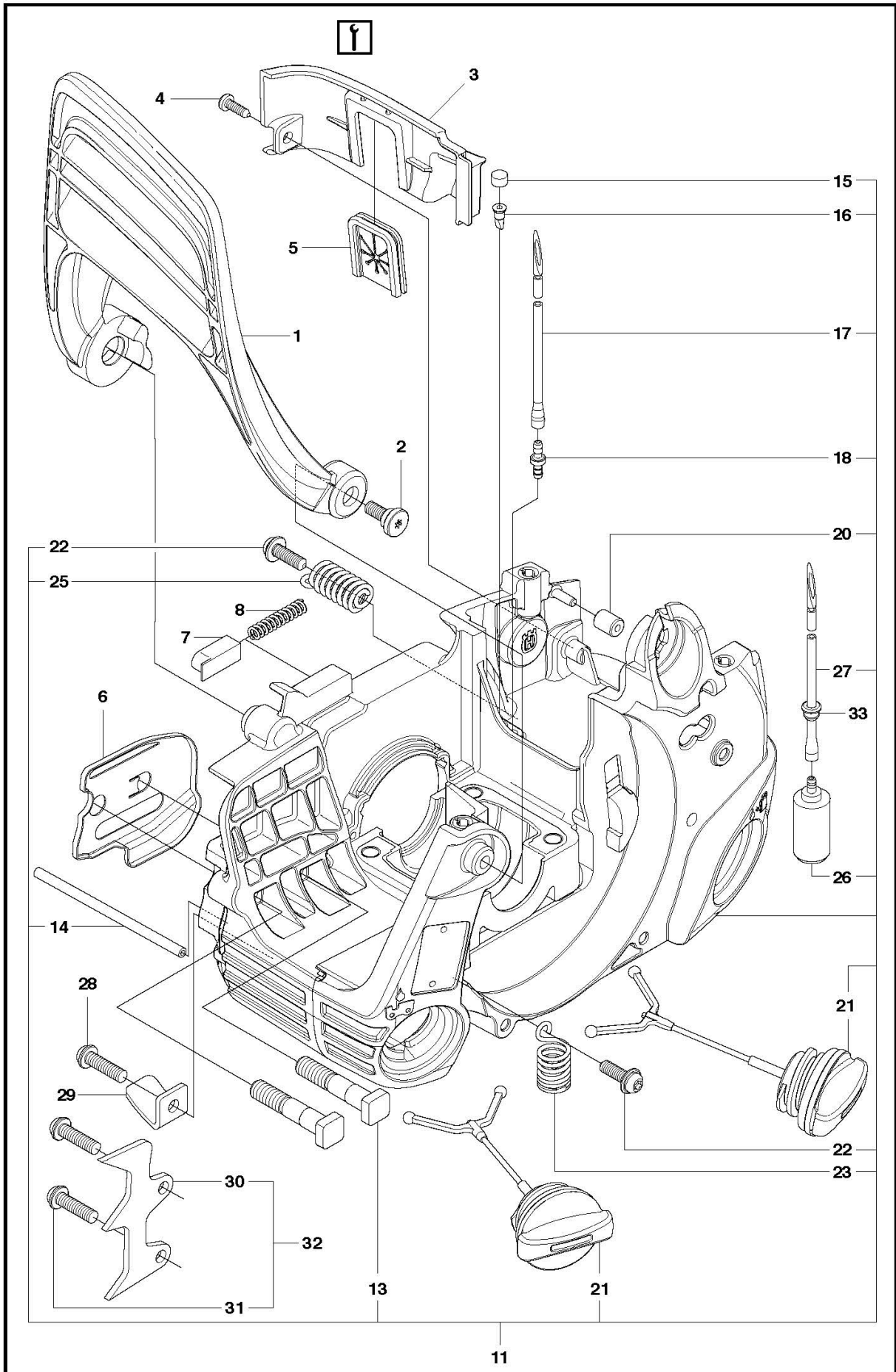




## CYLINDER PISTON

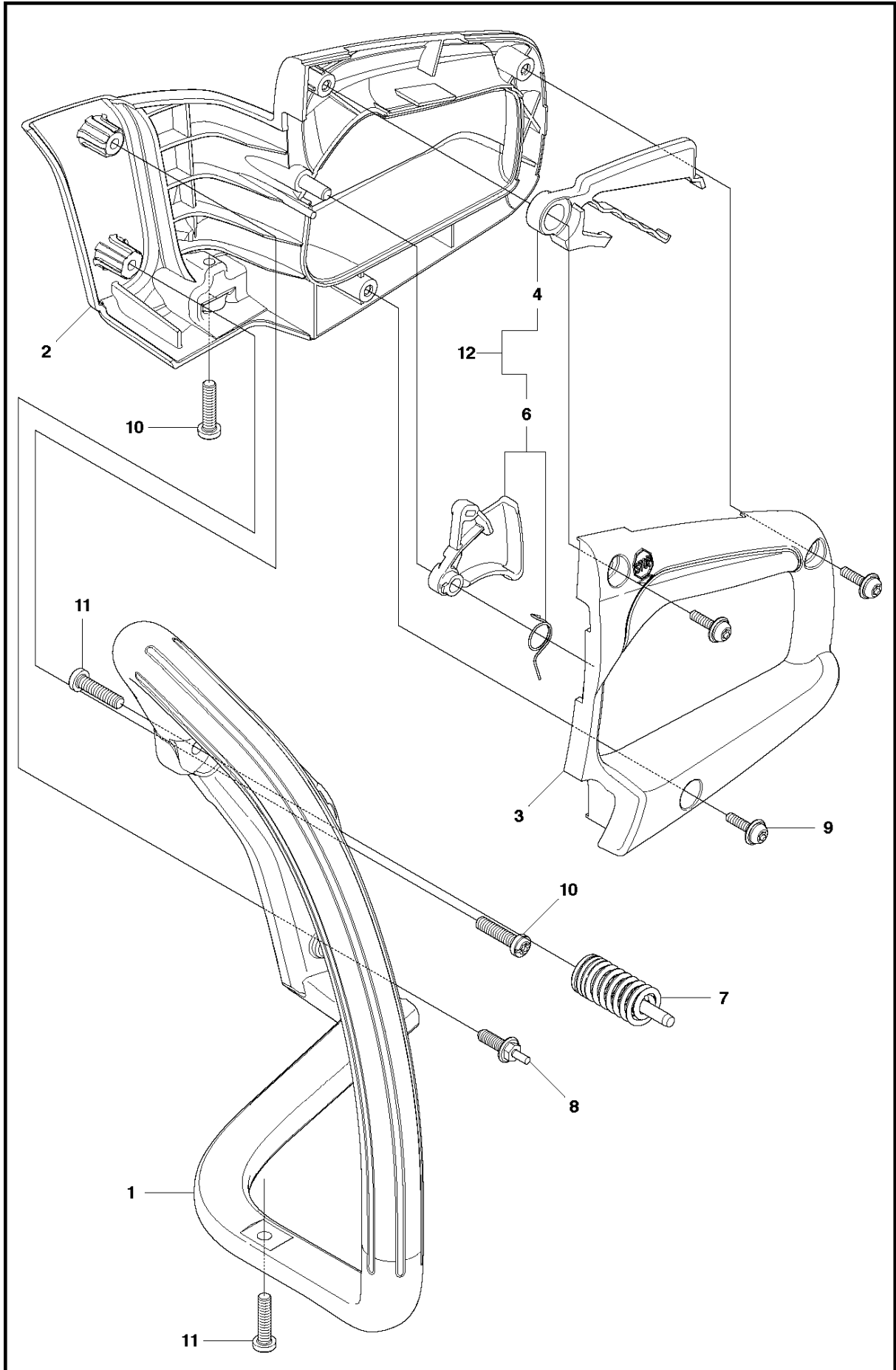
120e MARK II, 967861908, 967861909, 967861910, 967861911, 2018-05

Ref	Part No	Description	Remark	QTY	KIT
1	577 83 11-02	KIT	KIT PISTON AND CYLINDER HARDMOUNT BEARING	1	2,3,4,5,8 ,10
2	545 08 15-01	BOLT	BOLT CYLINDER	4	
3	574 19 09-01	INSERT	INSERT LEFT 38CC CYLINDER	1	
4	574 19 08-01	INSERT	INSERT RIGHT 38CC CYLINDER	1	
5	585 04 06-01	PISTON RING	PISTON RING 38CC PISTON RING	1	
8	530 01 56-97	LOCKING RING	LOCKING RING	2	
9	503 23 51-08	SPARK PLUG	SPARK PLUG M14X1.25 RCJ7Y	1	
10	577 83 13-02	KIT	KIT PISTON HARDMOUNT BEARING	1	5,8



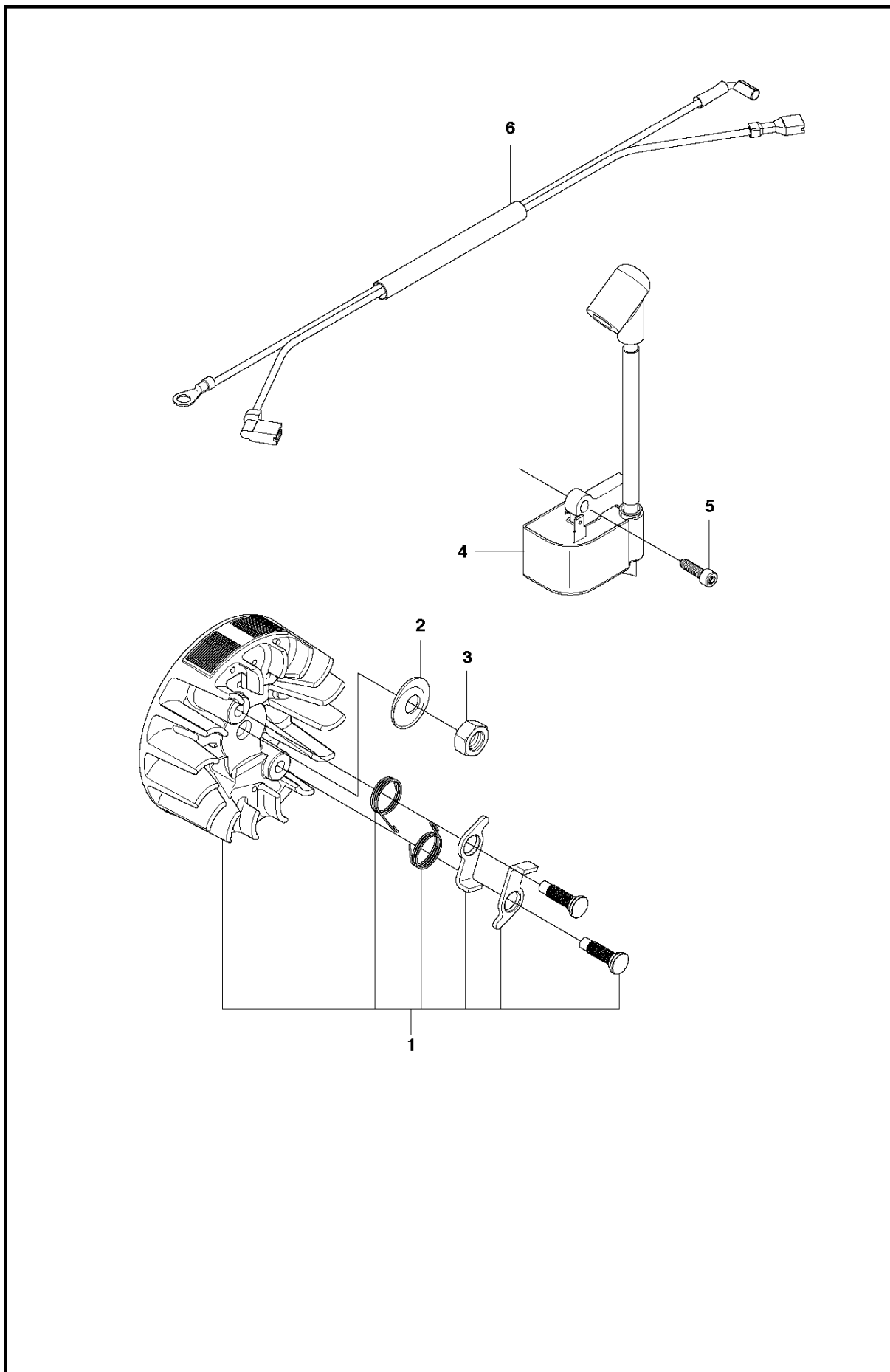
FUEL TANK & HANDLE 120e MARK II, 967861908, 967861909, 967861910, 967861911, 2018-05

Ref	Part No	Description	Remark	QTY	KIT
1	577 61 19-01	HAND GUARD	HAND GUARD ASSY HHS	1	
2	545 12 73-01	BOSS	BOSS SCREW HANDGUARD	1	
3	545 06 12-01	REAR WHEEL	REAR WHEEL	1	
4	545 22 71-01	SCREW	SCREW	1	
5	545 07 54-01	GROMMET	GROMMET REAR WALL	1	
6	545 07 14-01	BAR	BAR PLATE MOUNTING	1	
7	545 07 13-01	CAP. SPRING HANDGUARD	CAP. SPRING HANDGUARD	1	
8	545 07 12-01	SPRING. HANDGUARD POSITION	SPRING. HANDGUARD POSITION	1	
11	587 02 68-01	CHASSIS	CHASSIS ASSEMBLY MACH. BEARING	1	7-33
13	529 31 03-01	BOLT	BOLT M8 X 1.25	2	
14	545 03 35-01	HOSE	HOSE	1	
15	530 02 98-68	PLUG	PLUG	1	
16	530 02 61-19	CHECK VALVE	CHECK VALVE DUCKBILL	1	
17	580 72 71-01	FUEL HOSE	FUEL HOSE KIT LP100 5.3 O.D.	1	
18	530 02 38-77	NIPPLE	NIPPLE FITTING - FUEL LINE	1	
20	545 06 19-01	ISOLATOR	ISOLATOR FILTER HOUSING	1	
21	544 11 12-03	TANK CAP ASSY	TANK CAP ASSY GREY	2	
22	530 01 59-06	SCREW	SCREW	2	
23	545 03 38-01	ISOLATOR	ISOLATOR ASSY FRONT	1	
25	545 06 31-01	SPRING	SPRING REAR ISOLATOR	1	
26	577 16 72-01	FUEL FILTER	ASSEMBLY FUEL PICKUP PRE FLUSHED	1	
27	580 72 71-01	FUEL HOSE	FUEL HOSE KIT LP100 5.3 O.D.	1	
28	530 01 58-14	SCREW	SCREW PT 60/10-14	1	
29	530 02 98-50	CHAIN CATCHER	CHAIN CATCHER	1	
30	530 03 89-90	FELLING DOG	FELLING DOG	1	
31	530 01 64-39	SCREW	SCREW	2	
32	530 01 43-81	FELLING DOG	FELLING DOG KIT SPIKE ASSEMBLY	1	30,31
33	580 45 75-01	GROMMET	GROMMET FUEL LINE	1	



HANDLE & CONTROLS 120e MARK II, 967861908, 967861909, 967861910, 967861911, 2018-05

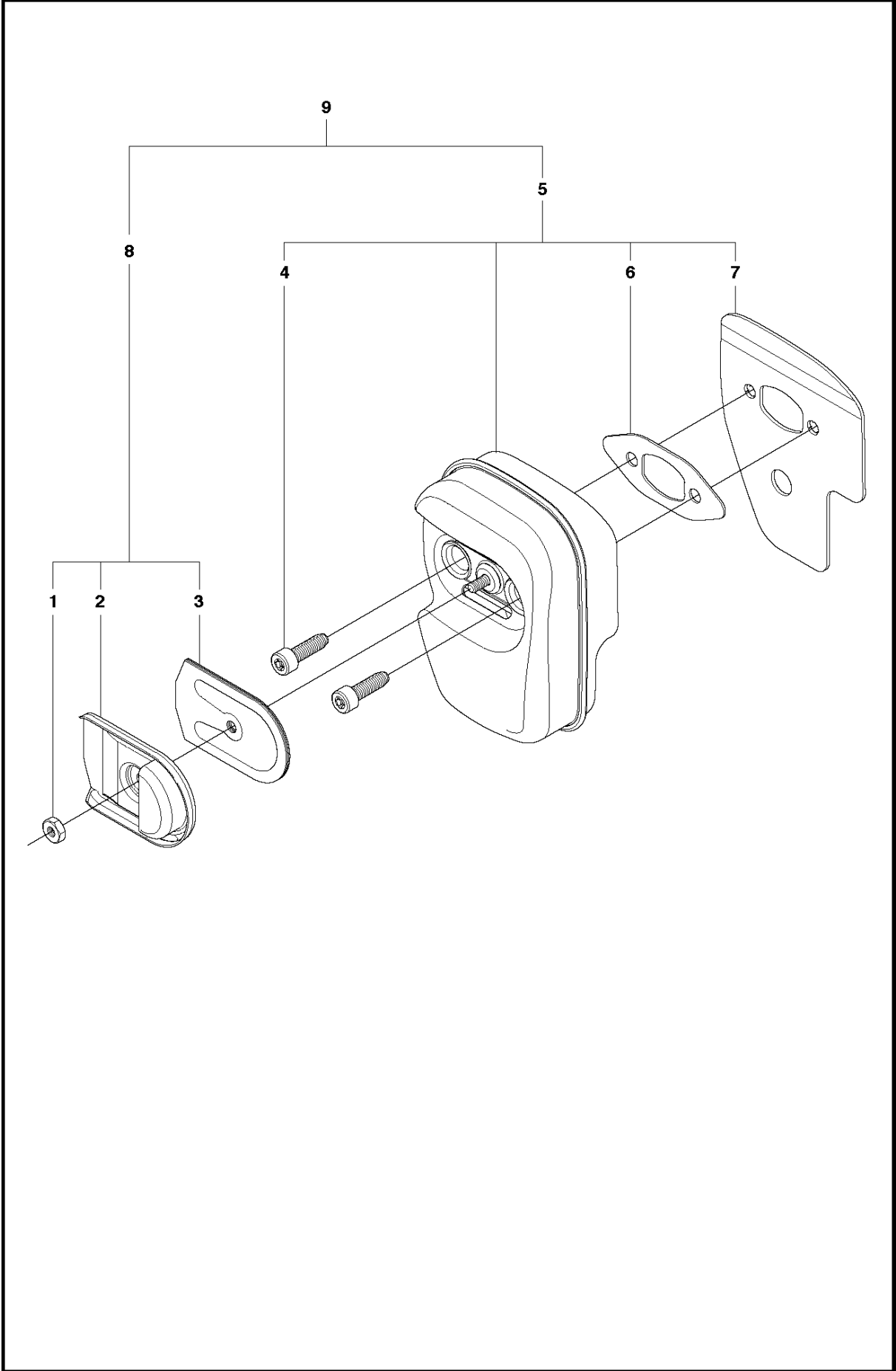
Ref	Part No	Description	Remark	QTY	KIT
1	545 06 24-01	FRONT HANDLE	FRONT HANDLE	1	
2	545 06 22-01	REAR HANDLE	REAR HANDLE NO OVERMOLD	1	
3	545 06 23-01	REAR HANDLE COVER 235/235E	REAR HANDLE COVER NO OVERMOLD	1	
4	545 06 26-01	LOCKOUT- THROTTLE	LOCKOUT- THROTTLE	1	
6	578 24 67-01	TRIGGER	TRIGGER ASSEMBLY GRAY	1	
7	545 03 39-01	ISOLATOR	ISOLATOR ASU FRONT ISOLATOR	1	
8	545 07 63-01	ISOLATION LIMITER SCREW	ISOLATION LIMITER SCREW M5.28 - 1.8 X 14.75 PL HEX M4 SPECIAL	1	
9	530 01 64-33	SCREW	SCREW #8-16 X 15.1 PL PAN TRX T25	3	
10	530 01 63-49	SCREW	SCREW	2	
11	530 01 64-32	SCREW	SCREW SCREW M5.38-14X22.225MM	2	
12	578 86 22-01	KIT	KIT TRIGGER & LOCKOUT	1	4,6



## IGNITION SYSTEM

120e MARK II, 967861908, 967861909, 967861910, 967861911, 2018-05

Ref	Part No	Description	Remark	QTY KIT
1	575 63 55-02	FLYWHEEL	FLYWHEEL ASSY	1
2	530 01 51-27	WASHER	WASHER 5/16" RAMP CONICAL	1
3	530 01 61-34	NUT	NUT HEX M8-1 RH GR8	1
4	575 80 35-01	MODULE	MODULE	1
5	545 12 19-01	SCREW	SCREW M4-0.7X16MM SEMS T20	2
6	545 07 99-01	ASSY- WIRE HARNESS	ASSY- WIRE HARNESS	1

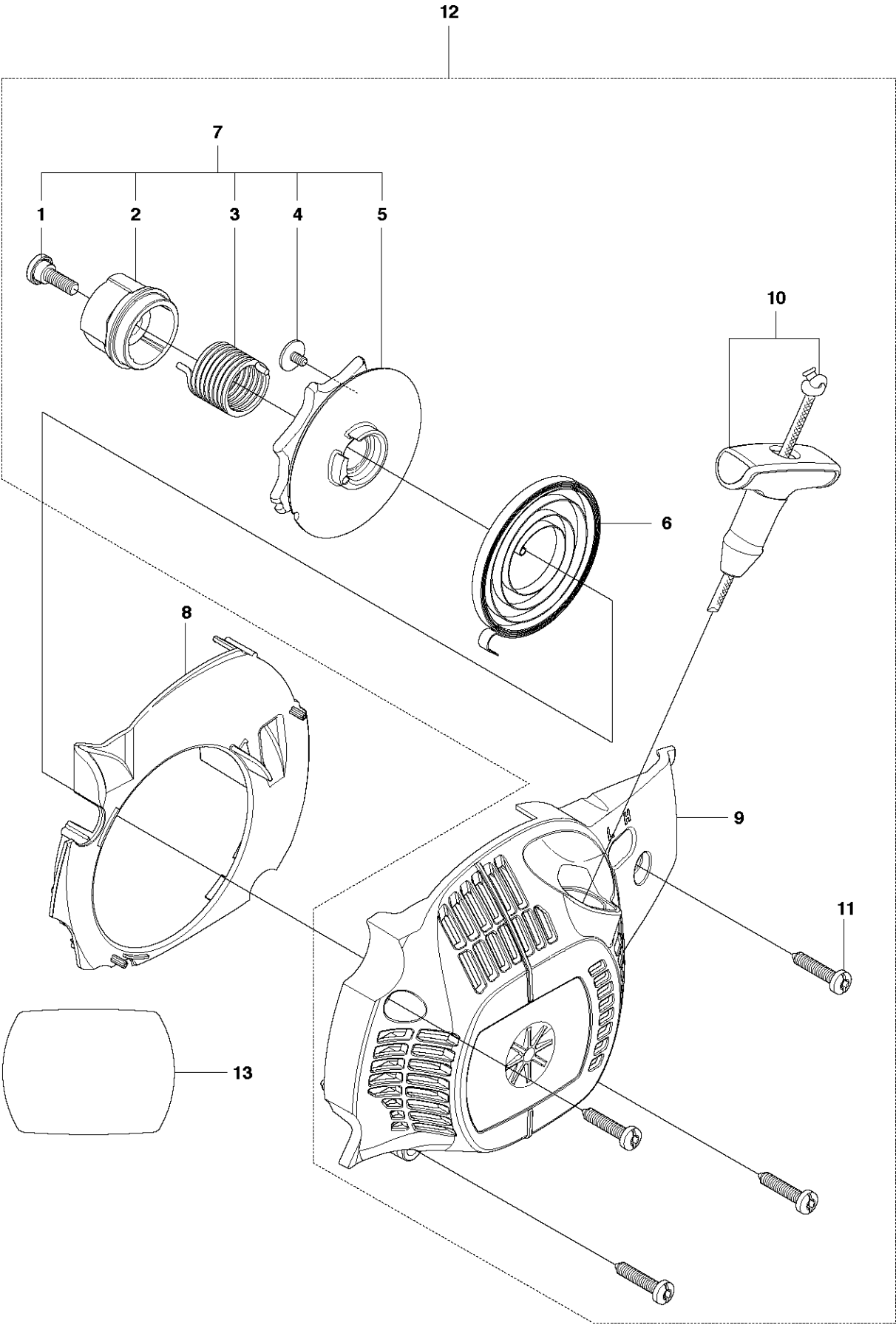




## MUFFLER

120e MARK II, 967861908, 967861909, 967861910, 967861911, 2018-05

Ref	Part No	Description	Remark	QTY	KIT
1	574 26 64-01	NUT	NUT 10MM BRASS	1	
2	545 07 69-01	EXHAUST PLATE	EXHAUST PLATE	1	
3	545 16 74-01	SCREEN	SCREEN ARRESTOR GASKET	1	
4	530 01 63-38	BOLT	BOLT	2	
5	586 09 43-01	MUFFLER	MUFFLER ASSY	1	
6	530 05 48-84	MUFFLER GASKET	MUFFLER GASKET	1	
7	545 06 69-01	MUFFLER BACK PLATE	MUFFLER BACK PLATE	1	
8	545 00 80-27	KIT	KIT SPARK ARRESTOR	1	1,2,3
9	545 18 08-43	MUFFLER	MUFFLER KIT COMPLETE	1	1,2,3,4,5 ,6,7,8



## STARTER

120e MARK II, 967861908, 967861909, 967861910, 967861911, 2018-05

Ref	Part No	Description	Remark	QTY	KIT
1	530 02 11-79	SCREW		1	
2	530 05 96-77	SLEEVE		1	
3	530 02 11-80	SPRING		1	
4	530 01 60-80	SCREW		1	
5	545 05 82-01	PULLEY		1	
6	530 04 20-95	SPRING		1	
7	530 07 19-66	STARTER PULLEY		1	1,2,3,4,5
8	545 06 38-01	BAFFLE		1	
9	545 06 37-01	FAN HOUSING		1	
10	545 01 00-10	HANDLE		1	
11	530 01 64-32	SCREW		4	
12	545 00 80-24	KIT	FAN HOUSING - EPS STARTER	1	
13	594 91 41-02	DECAL	FAN HOUSING	1	