

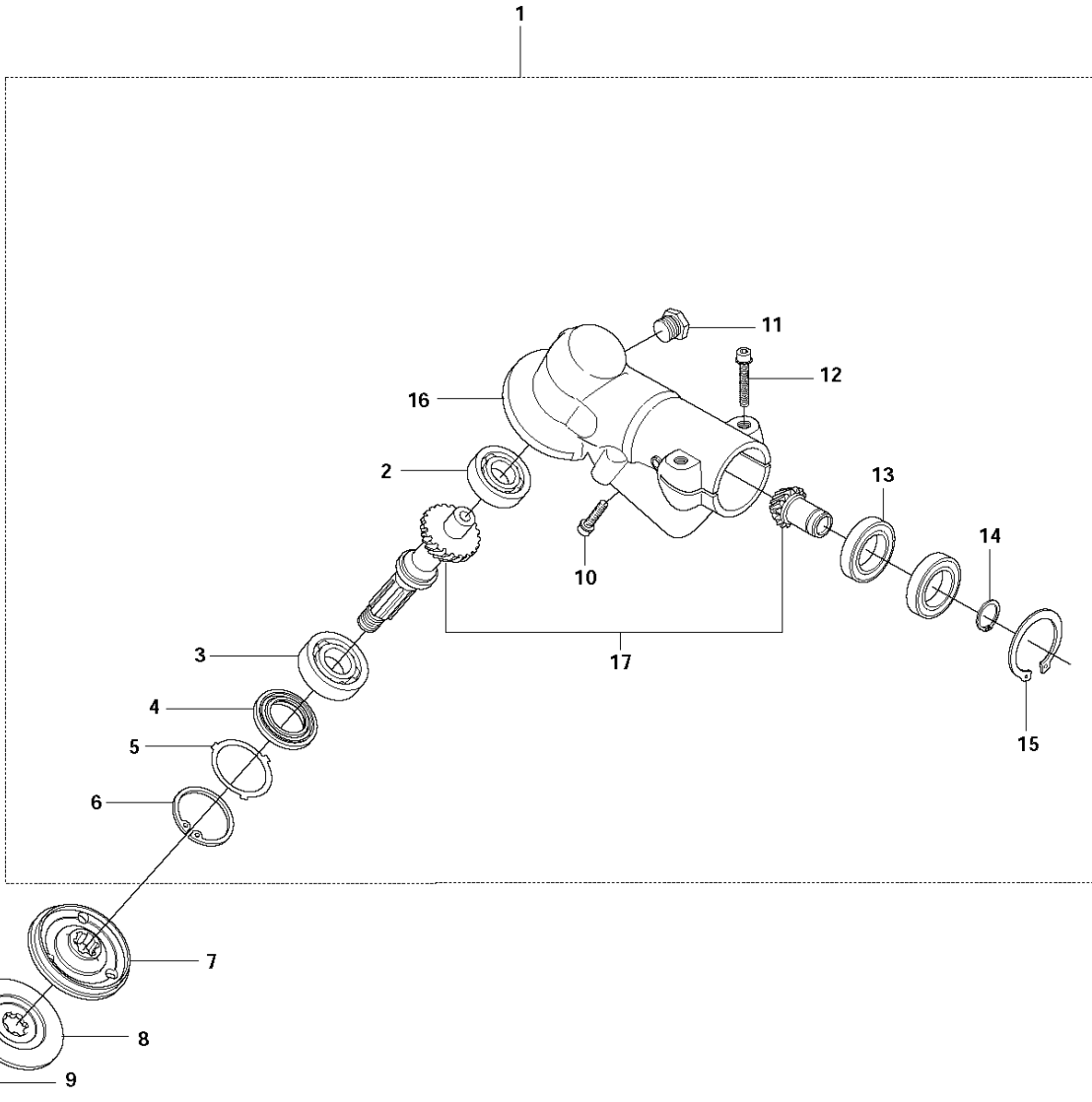


SPARE PARTS LIST

BRUSHCUTTERS/CLEARING SAWS

345 FX, 20110600001-Current

A2 343F, 345Fx, FxT
BEVEL GEAR

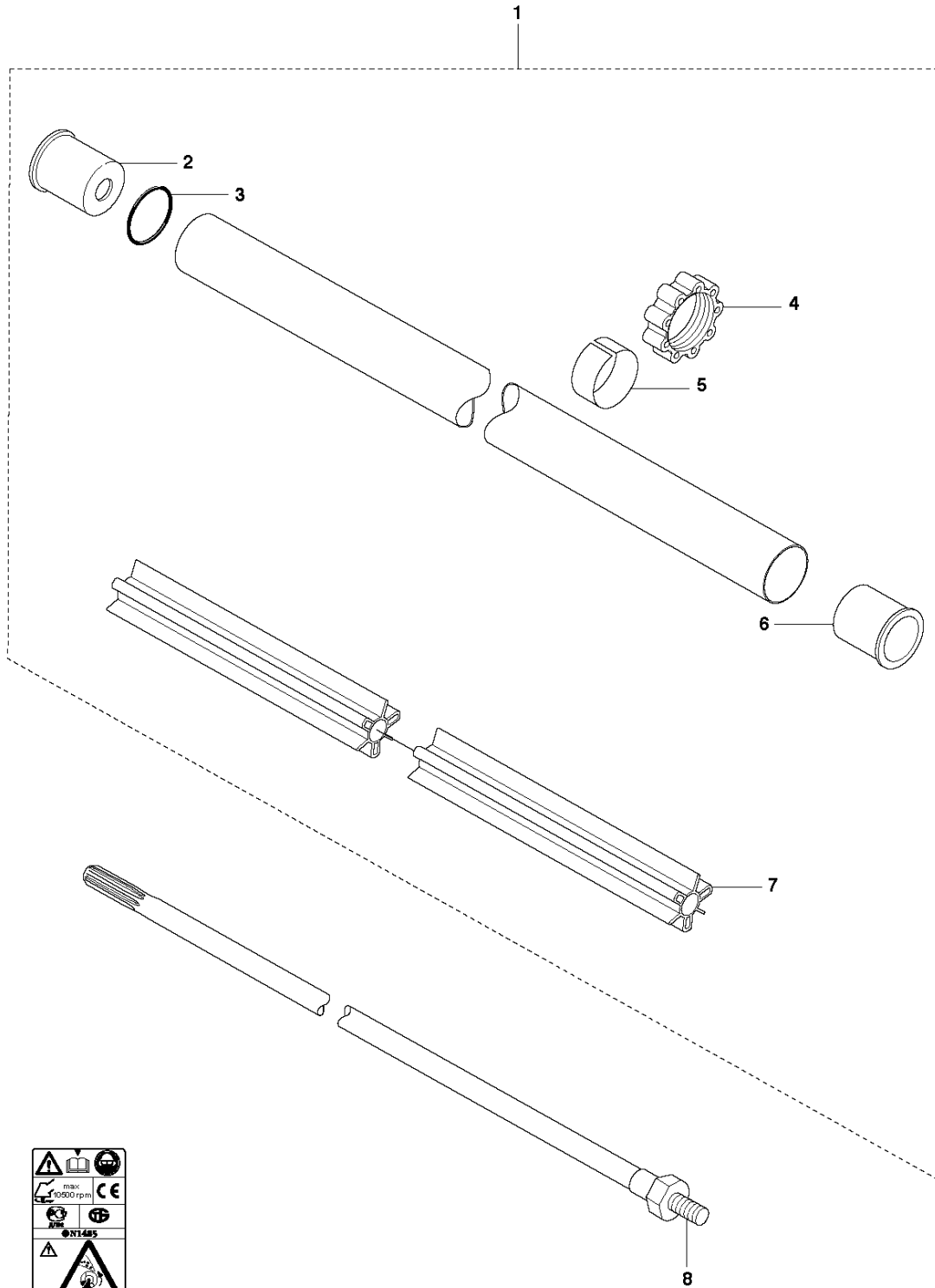


BEVEL GEAR

345 FX, 2011060001-Current

Ref	Part No	Description	Remark	QTY KIT	
1	502 29 78-01	GEAR HOUSING ASSY	F, Fx, FxT	1	
2	738 21 01-10	BALL BEARING		1	1
3	503 25 08-01	BEARING		1	1
4	503 26 17-01	SEALING		1	1
5	503 75 89-01	COVER WASHER		1	1
6	735 31 33-10	CIRCLIP		1	1
7	544 19 78-01	DRIVER	"1""	1	
8	544 21 78-01	SUPPORT FLANGE		1	
9	502 29 11-01	BLADE NUT		1	
10	503 20 03-16	SCREW IHSCFM		4	1
11	503 20 15-01	SCREW		1	1
12	503 20 02-25	SCREW IHSCFM		2	1
13	738 21 87-12	BALL BEARING		2	1
14	735 31 17-00	CIRCLIP		1	1
15	735 31 31-10	CIRCLIP		1	1
16	502 29 79-01	GEAR HOUSING		1	1
17	537 29 06-01	SP PARTS KIT		1	1

B 343R, F, FR, 345Rx, Fx, FxT
SHAFT



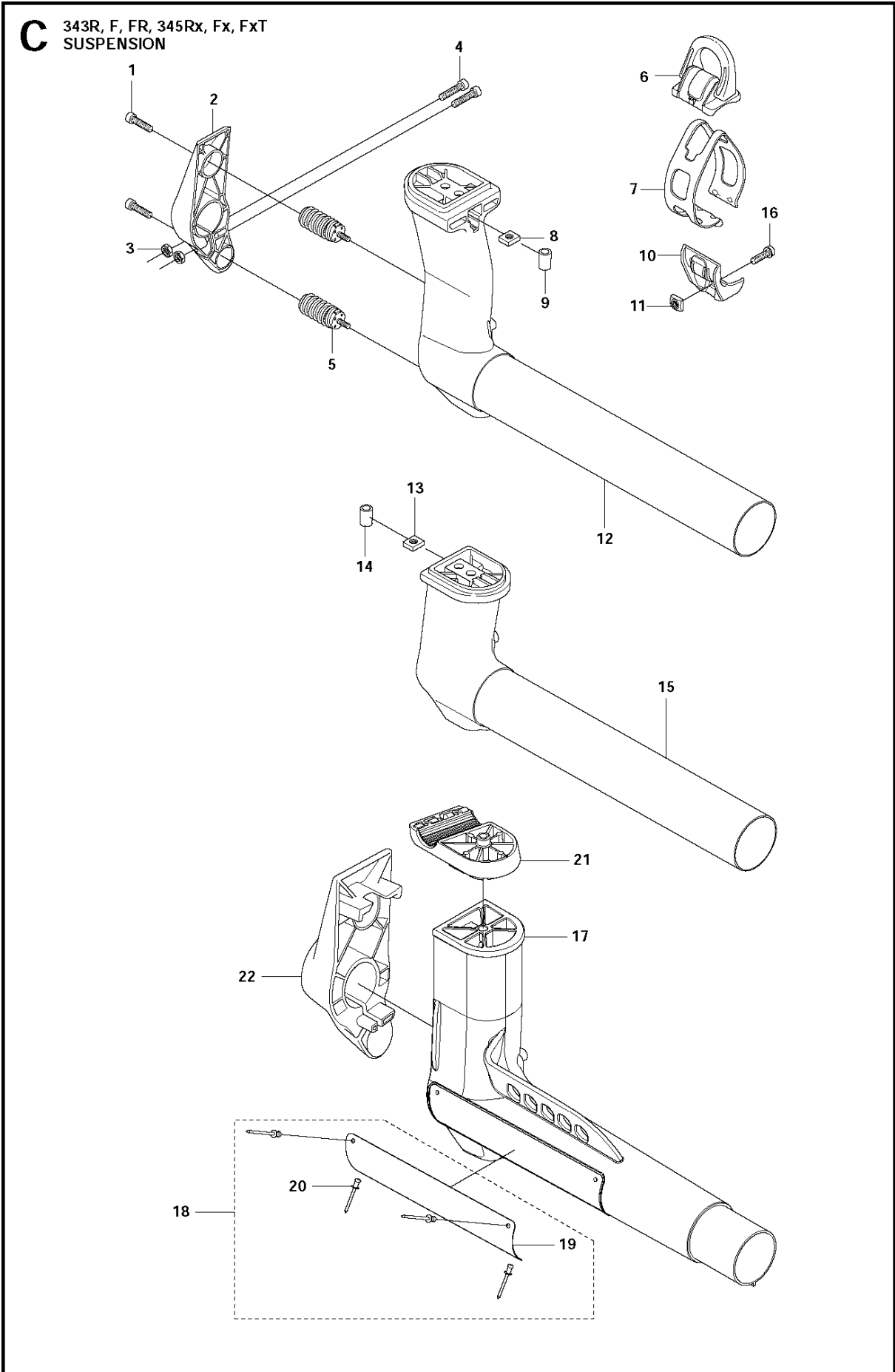
A vertical column of safety warning icons. From top to bottom: a triangle with an exclamation mark; a triangle with a lightning bolt; a triangle with a hand; a triangle with a wheel; and a triangle with a gear. Below these icons is a small table of symbols including a motor, a speed limit sign (max 5000 rpm), and a CE mark.

9

SHAFT

345 FX, 20110600001-Current

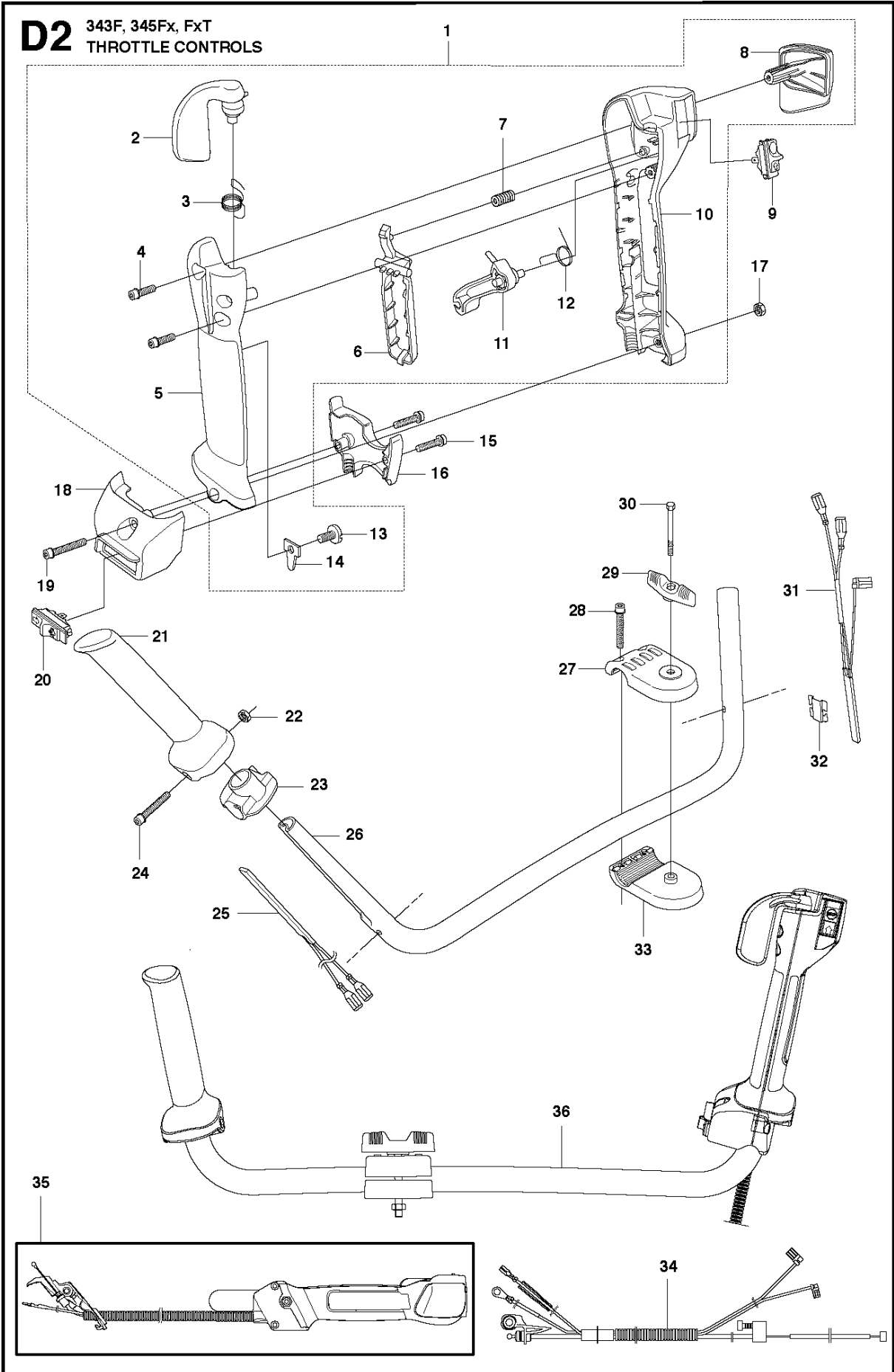
Ref	Part No	Description	Remark	QTY KIT	
1	577 26 21-02	TUBE ASSY	Fx, FxT L=1354 ø32,2	1	
1	577 26 21-04	TUBE ASSY	Rx L=1465 ø32,2	1	
1	577 26 21-06	TUBE ASSY	FR L=1384 ø32,2	1	
2	544 02 94-01	SPACER		1	1
3	506 11 03-01	O-RING		1	1
4	537 30 98-01	ANTIVIBRATION ELEMENT		1	1
5	537 30 97-01	TAPE		1	1
6	544 02 94-01	SPACER	FR, Fx, FxT	1	1
7	523 01 88-01	BEARING SHAFT	FX, FXT, RX	1	1
7	523 01 88-03	BEARING SHAFT	FR	1	1
8	503 95 54-01	DRIVE SHAFT	Fx, FxT L=1401 ø9, hollowed	1	
8	503 95 54-02	DRIVE SHAFT	Rx L=1512 ø9, hollowed	1	
8	503 92 44-01	DRIVE SHAFT	Fx, FxT L=1401 ø9, solid	1	
8	503 92 44-02	DRIVE SHAFT	Rx L=1512 ø9, solid	1	
8	503 92 44-03	DRIVE SHAFT	FR L=1431 ø9, solid	1	
9	537 29 47-07	LABEL		1	
9	537 29 47-03	LABEL	US, Can	1	



SUSPENSION

345 FX, 2011060001-Current

Ref	Part No	Description	Remark	QTY	KIT
1	503 20 02-16	SCREW IHSCFM		2	
2	503 95 53-04	HOLDER ANTIVIBRATION		1	
3	503 22 10-12	HEXAGON NUT		2	
4	503 20 02-25	SCREW IHSCFM		2	
5	537 29 97-01	ANTIVIBRATION ELEMENT		2	
6	537 20 18-01	LOOP		1	
7	537 19 79-01	BAND		1	
8	502 19 71-01	SQUARE NUT		1	
9	503 85 73-02	COVER		1	
10	537 27 11-02	GUIDE RAIL		1	
11	503 22 65-01	SQUARE NUT		1	
12	537 19 89-05	SUSPENSION	R, Rx, Magnesium	1	
13	502 19 71-01	SQUARE NUT		1	
14	503 85 73-02	COVER		1	
15	503 95 59-06	SUSPENSION	F, Fx, FxT, FR, Magnesium	1	
16	503 20 02-20	SCREW IHSCFM		1	
17	515 97 98-01	SUSPENSION	R, Composit	1	
18	577 22 47-01	WEAR PROTECTION	R	1	
19	576 63 00-01	WEAR PROTECTION	R	1	18
20	722 78 18-02	BLIND RIVET	R	4	18
21	502 43 36-01	HANDLEBAR BRACKET	R	1	
22	502 43 35-01	HOLDER	R	1	

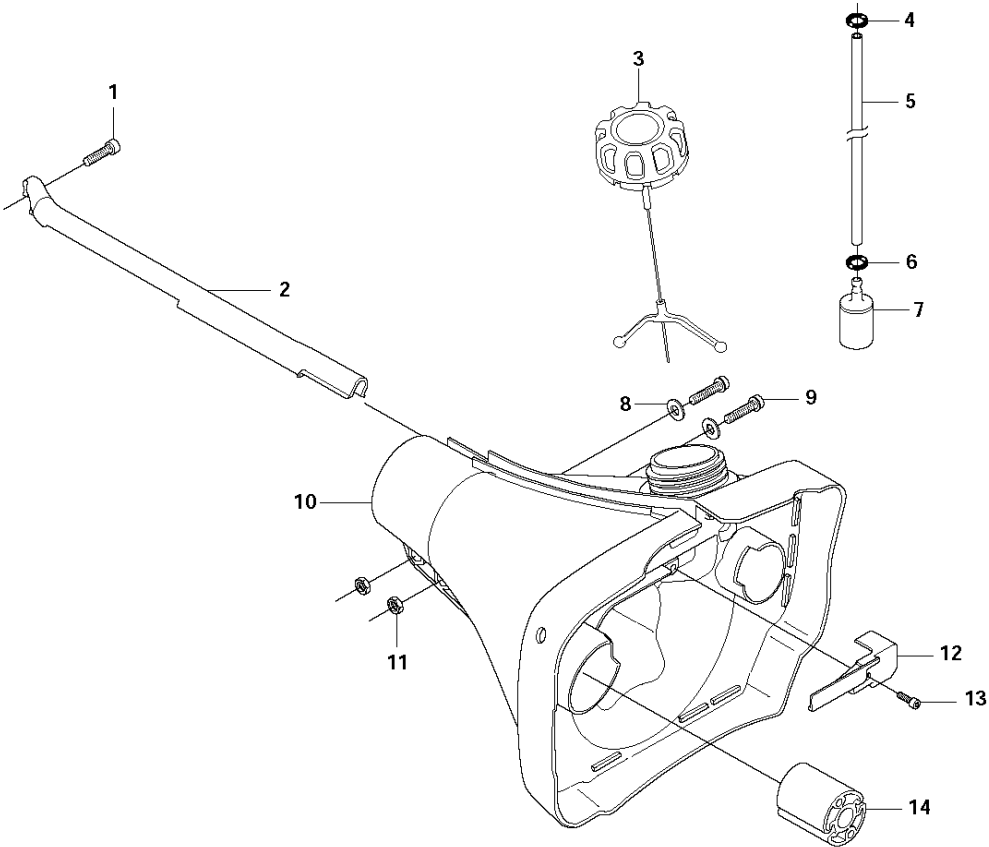


THROTTLE CONTROLS

345 FX, 20110600001-Current

Ref	Part No	Description	Remark	QTY	KIT
1	537 19 72-13	THROTTLE HANDLE	Thumb operated throttle	1	
2	537 26 34-01	THROTTLE TRIGGER		1	1
3	537 28 37-01	SPRING THROTTLE TRIG		1	1
4	503 21 75-20	SCREW IHSCFT		2	1
5	537 15 53-01	HANDLE HALF		1	1
6	537 15 56-01	THROTTLE LOCKOUT		1	1
7	537 19 97-01	SPRING		1	1
8	537 18 24-01	COVER		1	1
9	537 41 90-01	SWITCH		1	
10	537 15 52-01	HANDLE HALF		1	1
11	537 26 35-01	THROTTLE LEVER		1	1
12	537 34 27-01	SPRING		1	1
13	503 21 70-10	SCREW CCRPANT		1	1
14	537 25 11-01	SECURING PLATE		1	1
15	503 21 71-20	SCREW IHSCFT	FxT	2	
16	537 20 16-01	RETAINER	FxT	1	
17	731 23 14-05	HEXAGON NUT		1	
18	537 20 15-01	RETAINER	FxT	1	
19	503 20 02-35	SCREW IHSCFM	F, Fx	1	
19	503 20 02-45	SCREW IHSCFM	FxT	1	
20	503 71 82-02	SWITCH	FxT	1	
21	537 17 28-05	HANDLE		1	
22	731 23 14-05	HEXAGON NUT		1	
23	537 17 29-02	BRACKET		1	
24	503 20 02-45	SCREW IHSCFM		1	
25	537 22 72-01	ELEMENT	FxT	1	
26	503 95 86-01	HANDLEBAR	F, Fx	1	
26	503 95 86-02	HANDLEBAR	FxT	1	
27	537 12 90-01	HANDLEBAR BRACKET		1	
28	503 20 02-25	SCREW IHSCFM		2	
29	502 20 38-01	KNOB		1	
30	725 23 82-85	SCREW EHHM		1	
31	537 22 71-01	ELEMENT	FxT	1	
32	537 26 51-01	SECURING PLATE	FxT	2	
33	537 12 91-01	HANDLE BRACKET		1	
34	505 16 55-02	WIRING ASSY	FxT, For thumb operated throttle	1	
34	505 16 55-01	WIRING ASSY	F, Fx, For thumb operated throttle	1	
35	504 57 20-01	THROTTLE HANDLE ASSY	F, Fx, compl.	1	
36	537 23 63-05	HANDLEBAR	FXT	1	

E 343R, F, FR, 345Rx, Fx, FxT
FUEL TANK

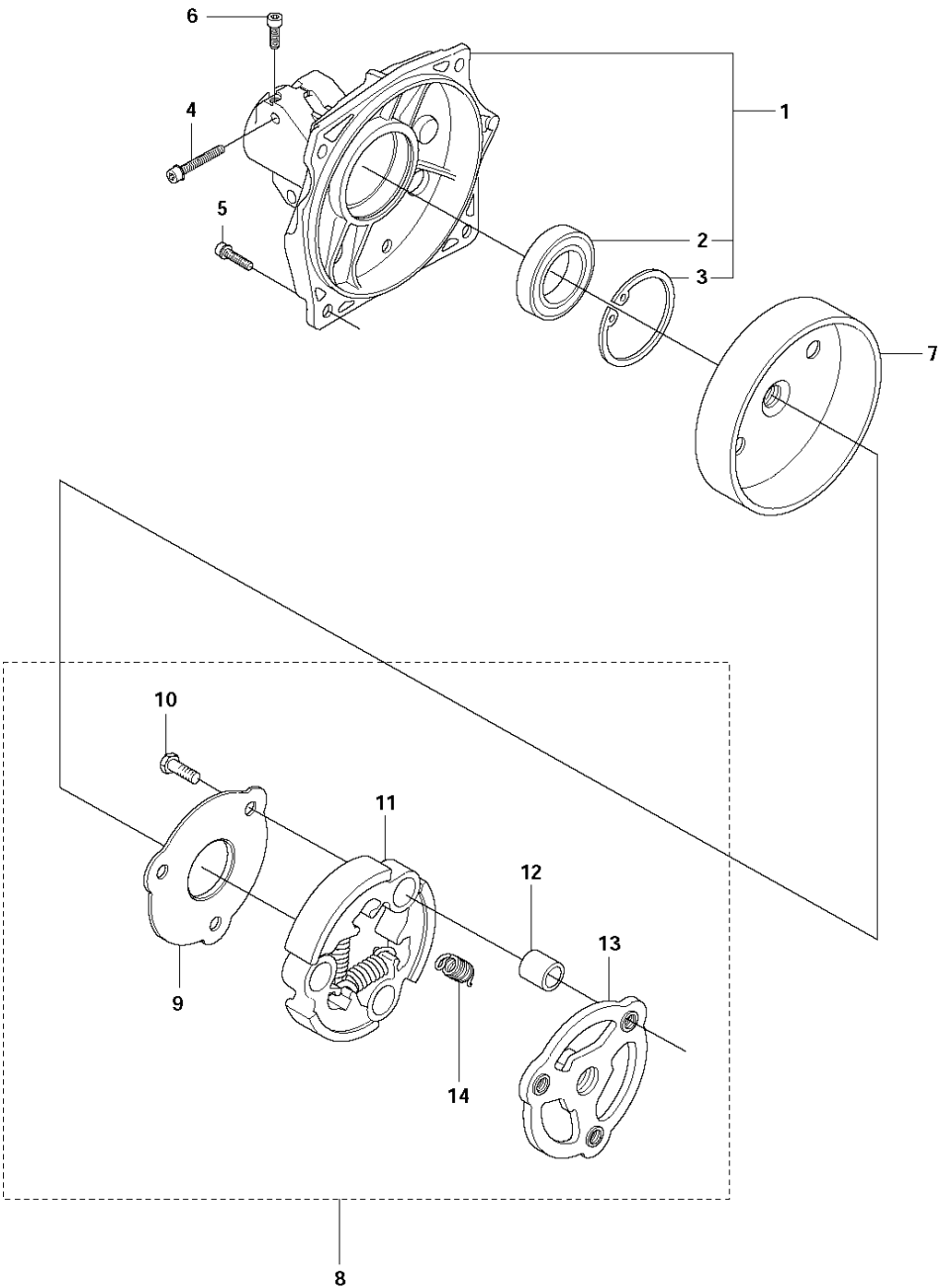


FUEL TANK

345 FX, 20110600001-Current

Ref	Part No	Description	Remark	QTY KIT
1	503 20 02-16	SCREW IHSCFM		1
2	537 17 25-02	COVER	F, Fx, FxT, FR	1
2	537 17 25-01	COVER	R, Rx	1
2	502 43 33-01	WIRING PROTECTION	R, (Composite suspension)	1
3	544 07 69-02	TANK CAP		1
4	537 18 49-01	O-RING		1
5	544 32 49-33	FUEL HOSE		1
6	537 18 49-01	O-RING		1
7	503 44 32-01	FUEL FILTER		1
8	503 23 00-11	WASHER		2
9	503 20 02-16	SCREW IHSCFM		2
10	503 94 93-01	FUEL TANK		1
11	503 22 10-12	HEXAGON NUT		2
12	537 21 99-01	HOSE GUARD		1
13	503 21 71-16	SCREW IHST		1
14	510 20 87-01	ANTIVIBRATION ELEMENT		2

F 343R, F, FR, 345Rx, Fx, FxT
CLUTCH

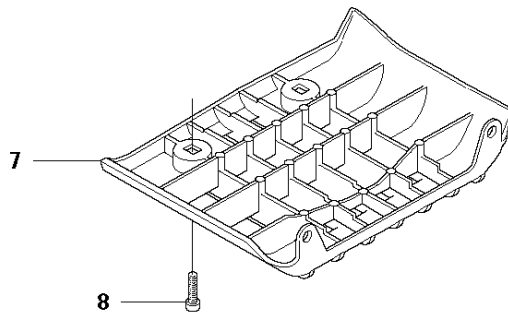
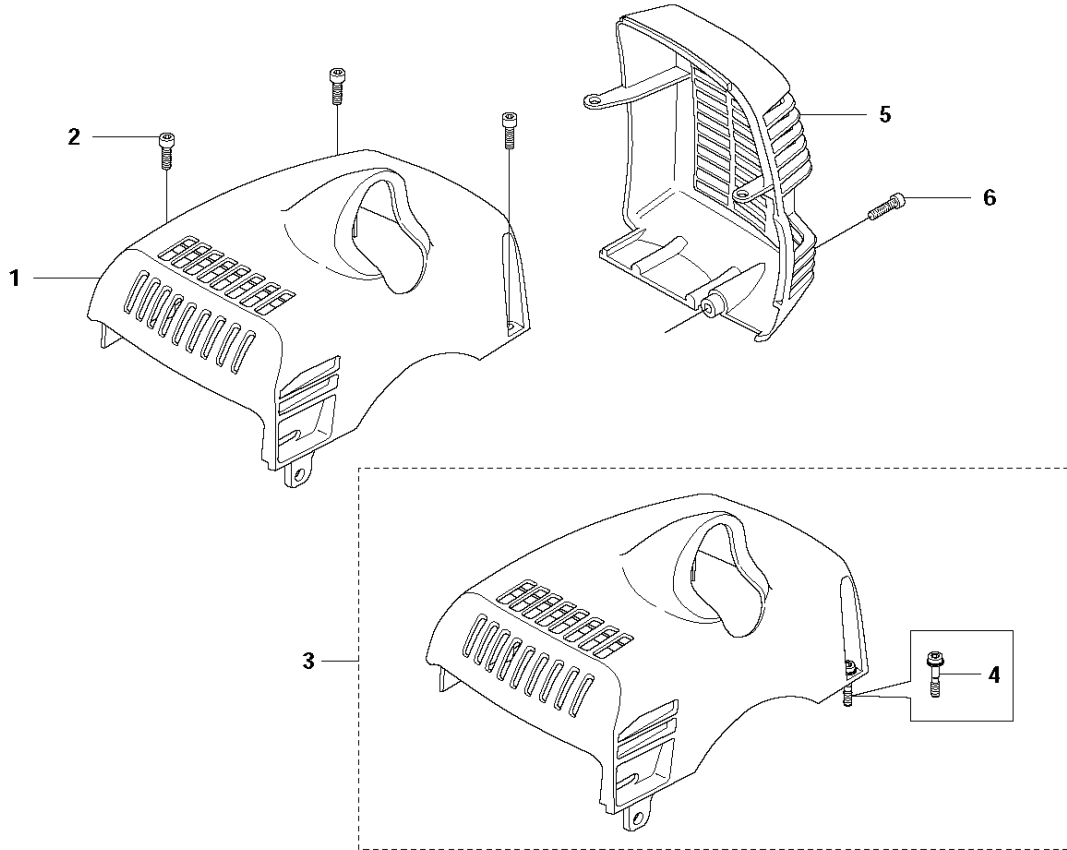


CLUTCH

345 FX, 20110600001-Current

Ref	Part No	Description	Remark	QTY KIT	
1	503 95 41-03	CLUTCH COVER		1	
2	738 22 02-19	BALL BEARING		1	1
3	735 31 33-10	CIRCLIP		1	1
4	503 20 02-30	SCREW IHSCFM		2	
5	503 20 02-20	SCREW IHSCFM		4	
6	503 20 20-01	SCREW IHSCM		1	
7	544 90 07-01	CLUTCH DRUM ASSY		1	
8	503 95 35-01	CLUTCH ASSY		1	
9	537 13 53-01	WASHER		1	8
10	503 20 18-18	SCREW EHHM		3	8
11	503 95 36-01	CLUTCH SHOE		3	8
12	537 13 54-01	BEARING BUSH		3	8
13	503 95 37-01	CLUTCH HUB		1	8
14	505 43 53-01	CLUTCH SPRING	ø1.7mm	3	8

G 343R, F, FR, 345Rx, Fx, FxT
CYLINDER COVER



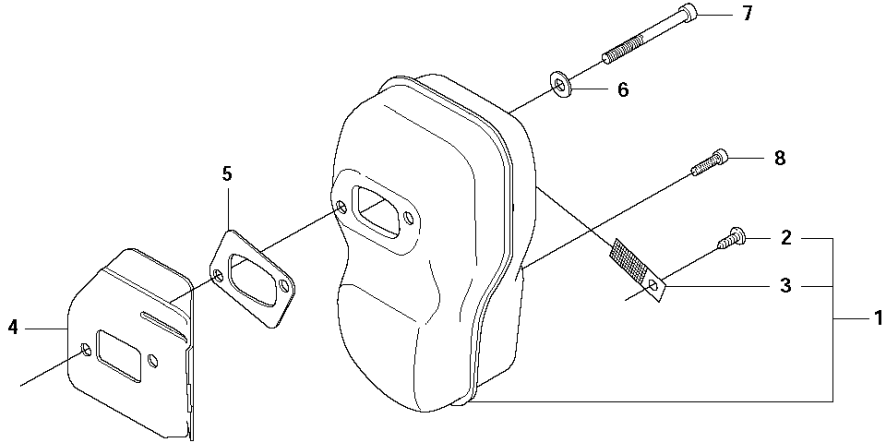
- 14 — **Husqvarna**
343FR
- 13 — **Husqvarna**
Each **X-Series**
345R
- 12 — **Husqvarna**
343R
- 11 — **Husqvarna**
Each **X-Series**
345F
- 10 — **Husqvarna**
Each **X-Series**
345F
- 9 — **Husqvarna**
343F

CYLINDER COVER

345 FX, 20110600001-Current

Ref	Part No	Description	Remark	QTY	KIT
1	503 94 75-03	CYLINDER COVER		1	
2	503 20 03-02	SCREW IHSCFM		3	
3	575 58 02-01	CYLINDER COVER ASSY	Spare part with Captive Screw	1	
4	574 47 70-04	SCREW IHSCFMO	Captive Screw	3	3
5	503 94 77-01	HEAT PROTECTOR		1	
6	503 20 03-02	SCREW IHSCFM		1	
7	537 16 61-01	PROTECTIVE COVER		1	
8	503 20 03-02	SCREW IHSCFM		2	
9	537 35 68-01	LABEL	F	1	
10	537 35 68-02	LABEL	Fx	1	
11	537 35 68-03	LABEL	FxT	1	
12	537 35 68-04	LABEL	R	1	
13	537 35 68-05	LABEL	Rx	1	
14	537 35 68-07	LABEL	FR	1	

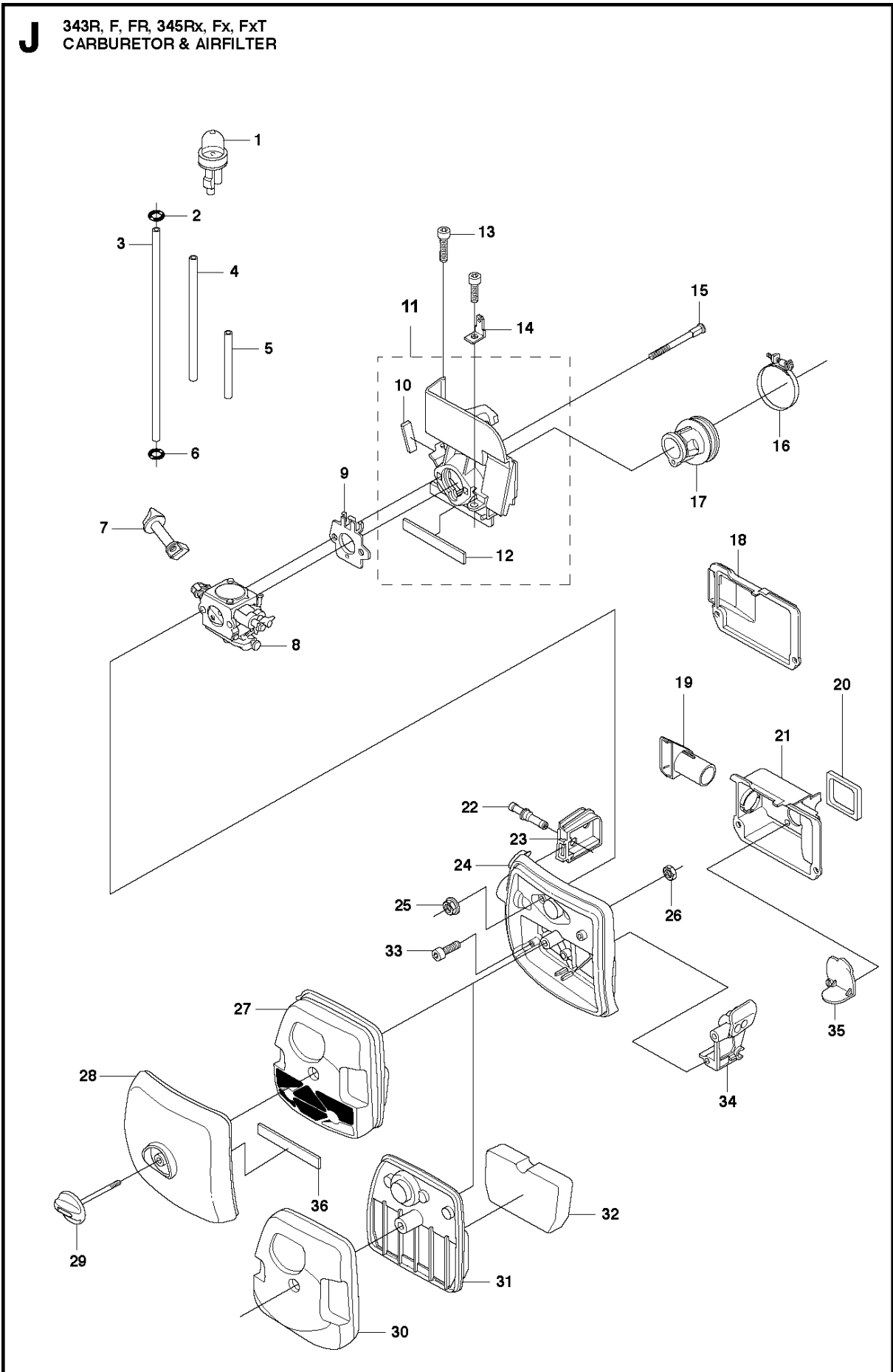
H 343R, F, FR, 345Rx, Fx, FxT
MUFFLER



MUFFLER

345 FX, 20110600001-Current

Ref	Part No	Description	Remark	QTY	KIT
1	503 94 90-01	MUFFLER ASSY	CAT	1	
1	503 94 90-02	MUFFLER ASSY		1	
2	724 12 87-59	SCREW CRPANM		1	1
3	537 27 09-01	SPARK ARRESTER SCREEN		1	1
4	537 22 85-01	HEAT DEFLECTOR		1	
5	537 19 87-01	GASKET		1	
6	503 23 04-02	WASHER		2	
7	503 20 29-70	SCREW IHSCFM		2	
8	503 20 03-02	SCREW IHSCFM		1	

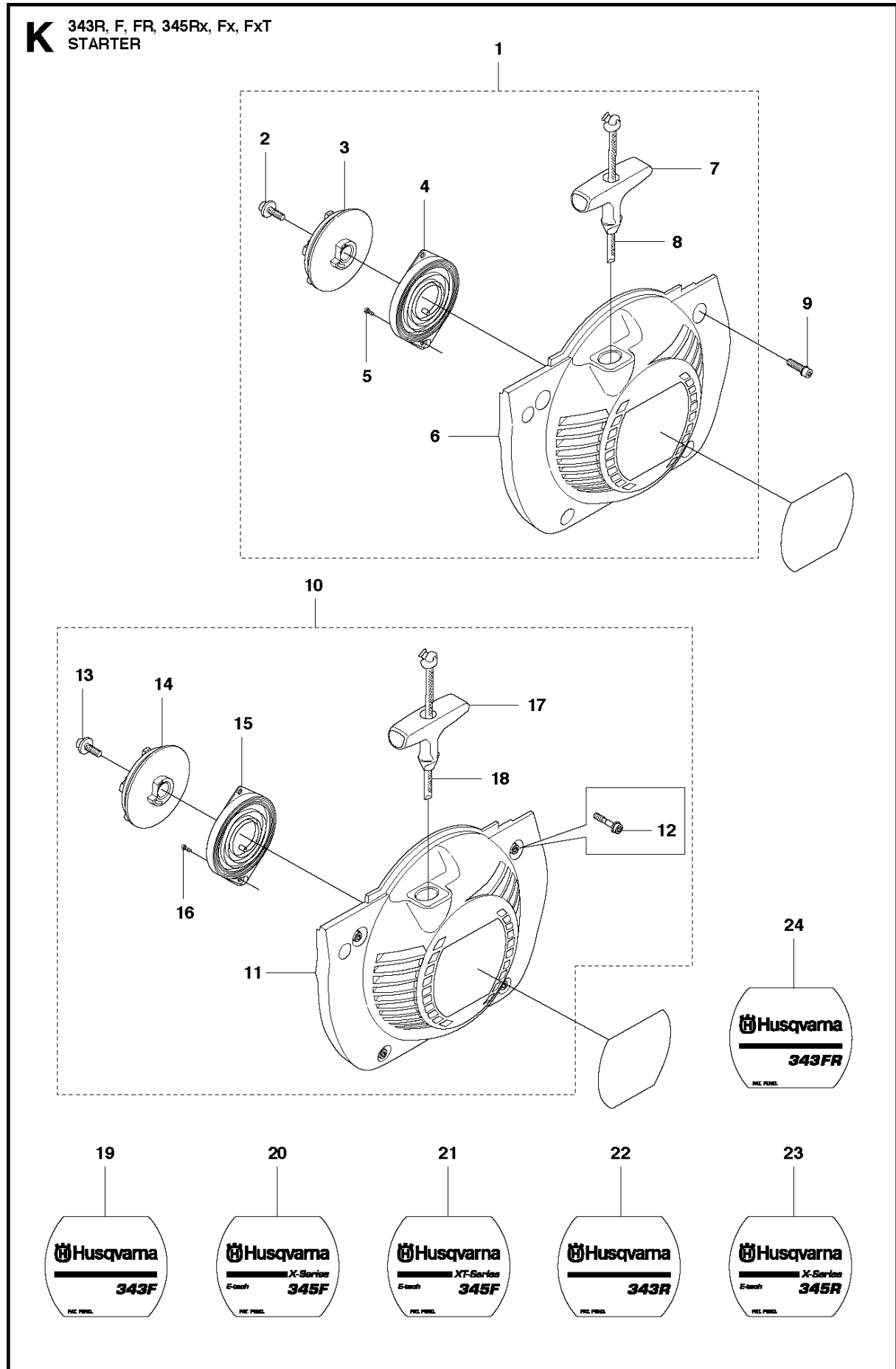


CARBURETOR & AIR FILTER

345 FX, 20110600001-Current

Ref	Part No	Description	Remark	QTY	KIT
1	503 93 66-01	PURGE		1	
2	537 18 49-01	O-RING		1	
3	544 32 49-23	FUEL HOSE	L=160 mm	1	
4	537 04 24-01	FUEL HOSE	L=102 mm	1	
5	537 05 23-03	FUEL HOSE	L=35 mm	1	
6	537 18 49-01	O-RING		1	
7	537 11 00-01	CHOKE CONTROL		1	
8	503 28 31-16	CARBURETTOR	Zama C1Q-EL21	1	
8	503 28 31-18	CARBURETTOR	Zama C1Q-EL23 343R South America	1	
9	537 11 01-01	SPACER		1	
10	537 22 96-02	MOULDING		1	11
11	537 30 02-01	INSULATION WALL		1	
12	537 22 96-01	MOULDING		1	11
13	503 20 03-20	SCREW IHSCFM		1	
14	503 23 88-02	FLAT PIN		1	
15	544 08 20-02	SCREW		2	
16	503 56 00-09	HOSE CLAMP		1	
17	503 95 83-01	BELLOWS		2	
18	537 27 61-01	MUFFLER	FR, R, Rx	1	
19	537 14 15-01	AIR INTAKE	F, Fx, FxT	1	
20	537 30 93-01	SEALING	F, Fx, FxT	1	
21	537 10 99-02	MUFFLER	F, Fx, FxT	1	
22	537 28 46-01	NIPPLE		1	
23	537 16 59-01	GROMMET		1	
24	503 95 81-01	FILTER HOLDER		1	
25	731 71 14-51	HEXAGON NUT FLANGE		1	
26	731 23 14-05	HEXAGON NUT		1	
27	537 38 11-01	FILTER	μ80 Black F, Fx, FxT	2	
28	537 30 76-02	FILTER COVER ASSY		2	
29	537 21 32-12	KNOB		1	
30	503 95 80-01	HUB CAP	R, Rx, FR	1	
31	503 95 79-01	RETAINER	R, Rx, FR	1	
32	537 42 71-01	AIR FILTER	R, Rx, FR	1	
33	503 20 03-20	SCREW IHSCFM		1	
34	537 14 13-01	CHISEL GUIDE		1	
35	537 14 14-01	HUB CAP	F, Fx, FxT, FR	2	
36	537 22 96-03	MOULDING		1	

K 343R, F, FR, 345Rx, Fx, FxT
STARTER

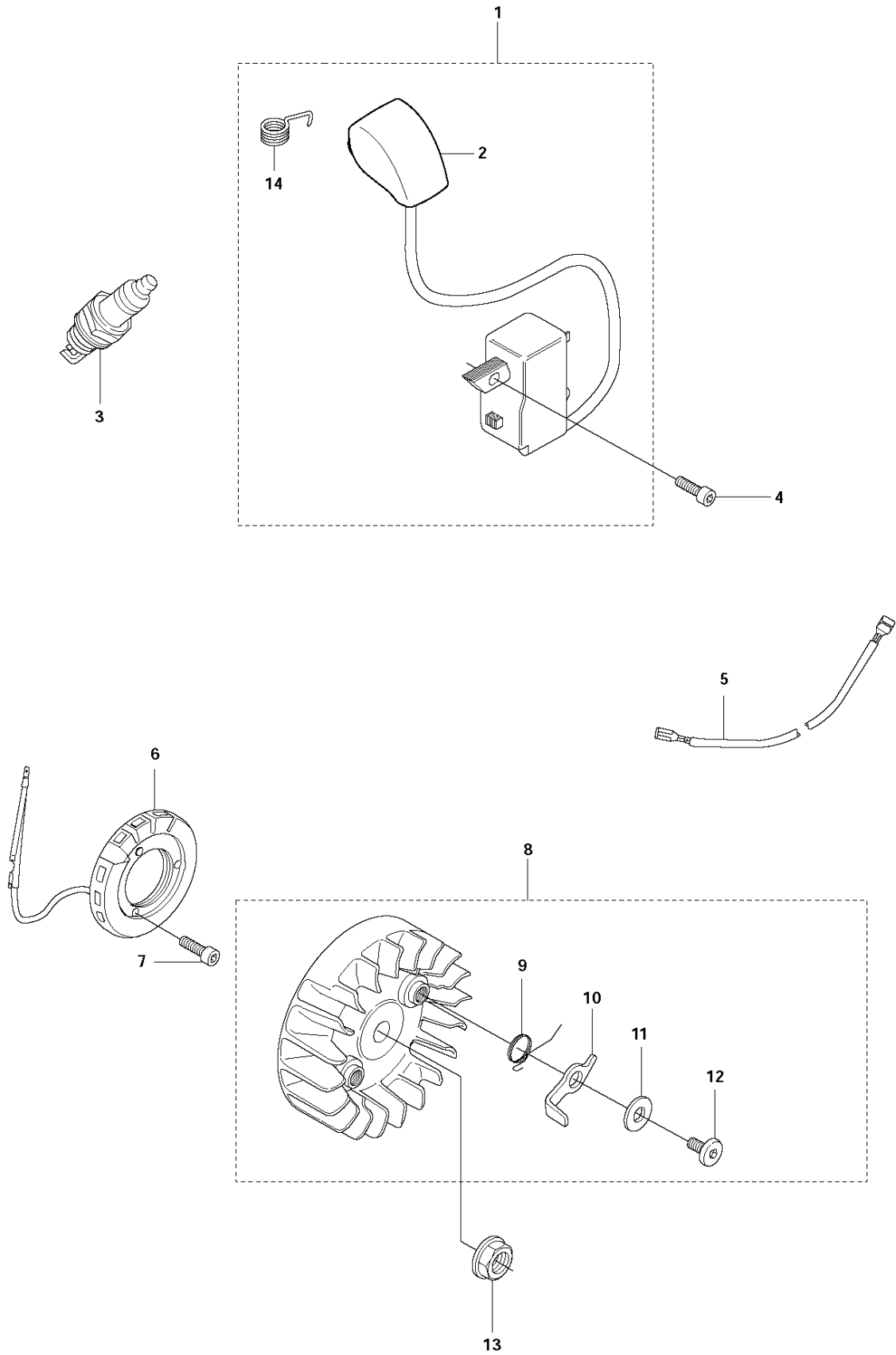


STARTER

345 FX, 20110600001-Current

Ref	Part No	Description	Remark	QTY	KIT
1	503 94 78-02	STARTER ASSY		1	
2	503 21 69-16	SCREW IHSCCT		1	1
3	503 95 73-01	STARTER PULLEY		1	1
4	502 20 06-01	SPRING CASSETTE ASSY		1	1
5	503 21 29-06	SCREW CCRPANT		2	1
6	503 94 79-01	STARTER HOUSING		1	1
7	503 54 39-01	STARTER HANDLE		1	1
8	505 30 51-25	STARTER CORD		1	1
9	503 20 03-02	SCREW IHSCFM		4	
10	575 58 10-01	STARTER ASSY	Spare part with Captive Screw	1	
11	575 58 05-01	STARTER HOUSING	Spare part with Captive Screw	1	10
12	574 47 70-03	SCREW IHSCFMO	Captive Screw	4	10,11
13	503 21 69-16	SCREW IHSCCT		1	10
14	503 95 73-01	STARTER PULLEY		1	10
15	502 20 06-01	SPRING CASSETTE ASSY		1	10
16	503 21 29-06	SCREW CCRPANT		2	10
17	503 54 39-01	STARTER HANDLE		1	10
18	505 30 51-25	STARTER CORD		1	10
19	537 35 59-01	LABEL	F	1	
20	537 35 59-02	LABEL	Fx	1	
21	537 35 59-03	LABEL	FxT	1	
22	537 35 59-04	LABEL	R	1	
23	537 35 59-05	LABEL	Rx	1	
24	537 35 59-14	LABEL	FR	1	

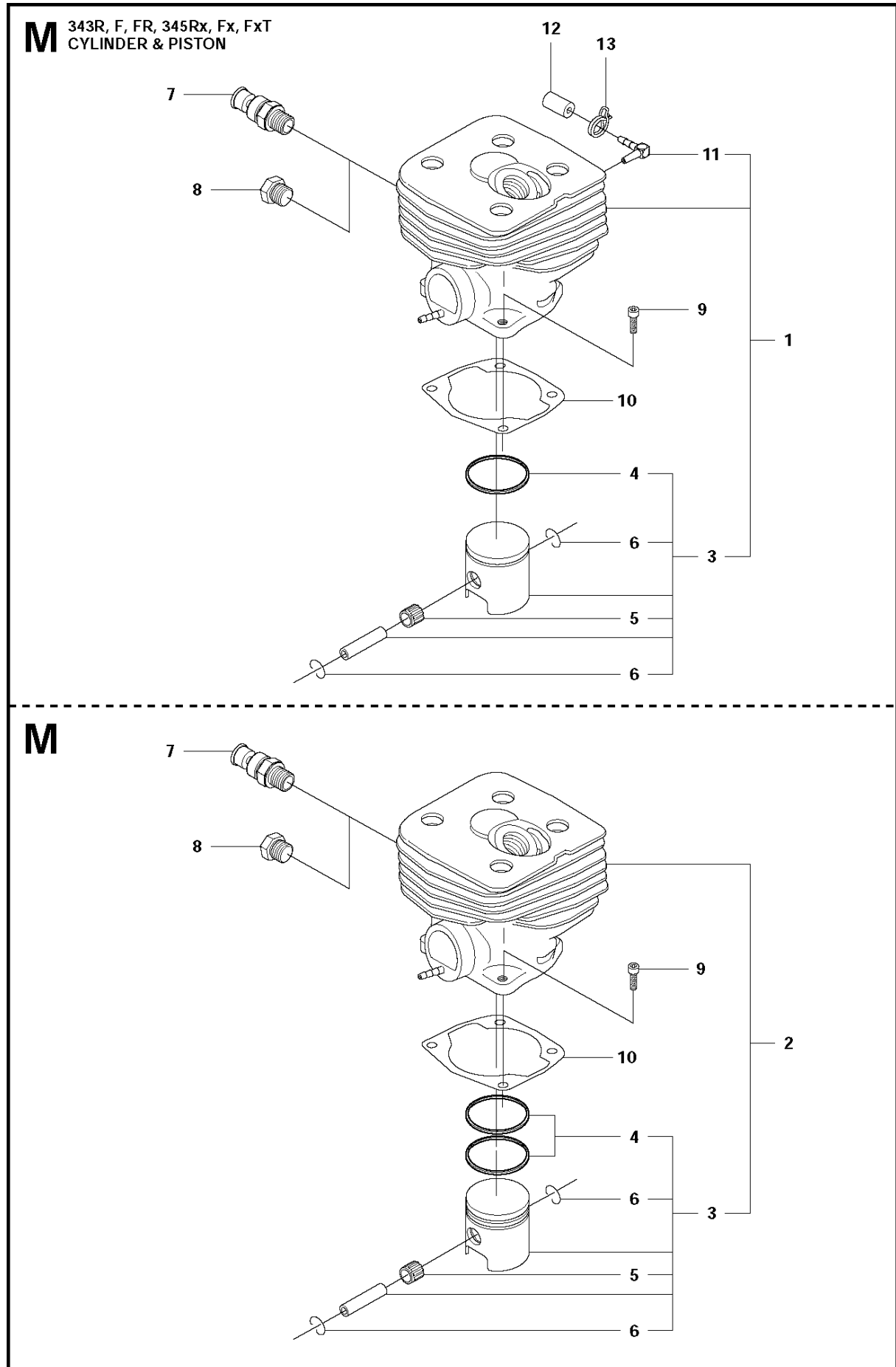
L 343R, F, FR, 345Rx, Fx, FxT
IGNITION SYSTEM



IGNITION SYSTEM

345 FX, 2011060001-Current

Ref	Part No	Description	Remark	QTY	KIT
1	501 00 13-01	IGNITION MODULE	F, Fx, FxT	1	
1	501 00 13-02	IGNITION MODULE	R, Rx, FR	1	
2	537 23 73-01	SPARK PLUG CAP		1	1
3	503 23 51-09	SPARK PLUG	Champion RCJ 6Y	1	
4	503 20 25-16	SCREW IHSCM		2	
5	537 39 10-01	SHORT CIRCUIT CABLE		1	
6	537 25 63-01	GENERATOR STATOR	FxT	1	
7	503 21 66-18	SCREW IH SCT	FxT	2	
8	503 95 33-01	FLYWHEEL	F, Fx, R, Rx, FR	1	
8	503 95 33-02	FLYWHEEL	FxT	1	
9	503 81 29-01	SPRING		2	8
10	503 81 24-01	STARTER PAWL		2	8
11	503 23 00-42	WASHER		2	8
12	501 81 99-03	SCREW		2	8
13	503 22 04-01	NUT		1	
14	501 48 56-01	CONTACT SPRING		1	1

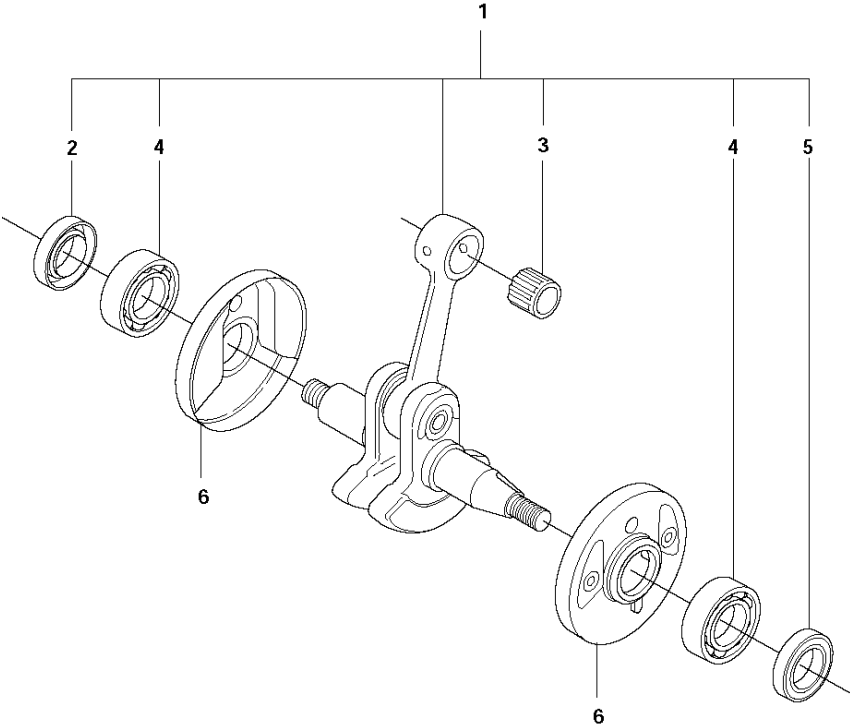


CYLINDER PISTON

345 FX, 2011060001-Current

Ref	Part No	Description	Remark	QTY	KIT
1	503 95 64-02	CYLINDER ASSY	Fx, FxT ø41mm 43cc	1	
2	505 03 48-04	CYLINDER ASSY	F, FR, R, Rx ø42mm 45cc	1	
3	537 15 94-02	PISTON ASSY	Fx, FxT ø41mm 43cc	1	1
3	544 09 30-02	PISTON ASSY	F, FR, R, Rx ø42mm 45cc	1	2
4	503 28 90-45	PISTON RING	Fx, FxT ø41mm 43cc	1	1,3
4	506 44 94-01	PISTON RING	F, FR, R, Rx ø42mm 45cc	2	2,3
5	503 25 63-01	NEEDLE BEARING		1	1,2,3
6	737 44 10-00	SNAP RING		2	1,2,3
7	503 66 54-01	DECOMPRESSION VALVE		1	
8	503 55 22-01	PLUG		1	
9	725 53 31-55	SCREW IHSCM		4	
10	503 95 27-01	GASKET		1	
11	504 34 00-04	FITTING	Fx, FxT	1	1
12	537 18 00-01	PROTECTIVE CAP	Fx, FxT	1	
13	537 32 09-01	HOSE CLAMP	Fx, FxT	1	

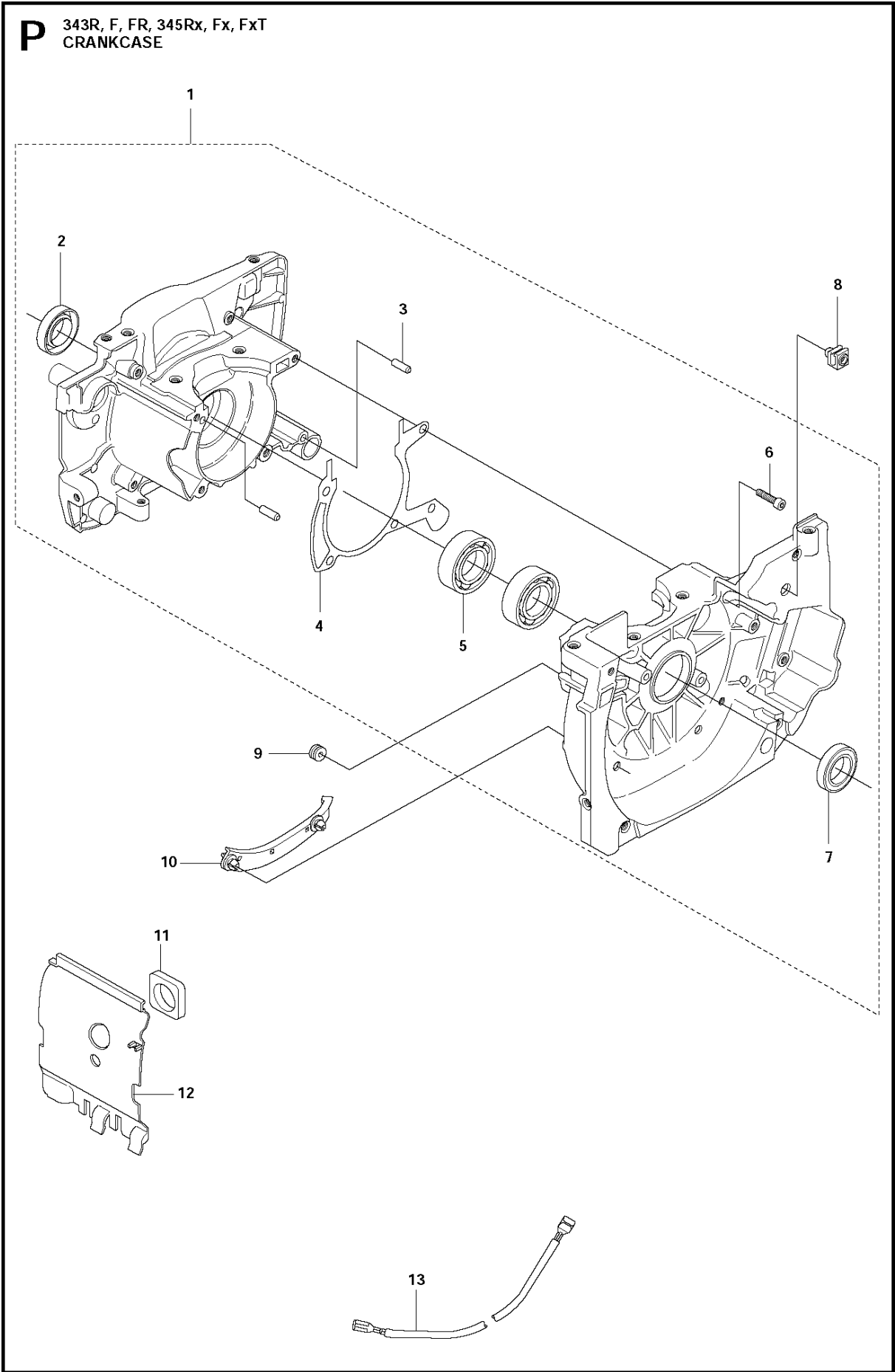
N 343R, F, FR, 345Rx, Fx, FxT
CRANK SHAFT



CRANKSHAFT

345 FX, 20110600001-Current

Ref	Part No	Description	Remark	QTY	KIT
1	537 18 97-02	CRANKSHAFT		1	
2	503 26 02-04	SEALING RING		1	1
3	501 45 16-01	NEEDLE BEARING		1	1
4	503 25 08-01	BEARING		2	1
5	505 27 57-19	SEALING RING		1	1
6	537 15 85-01	CUP	Fx, FxT	2	



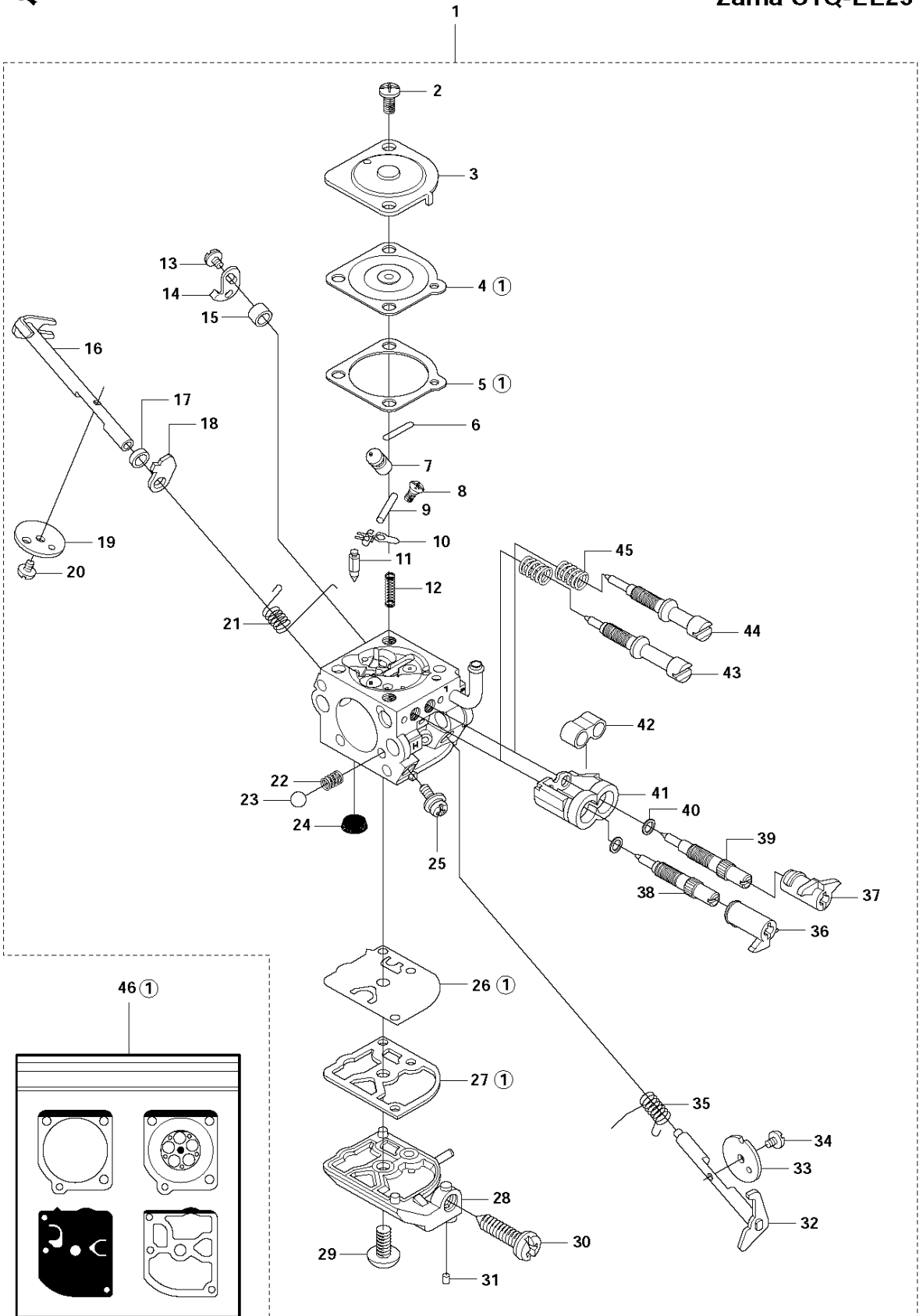
CRANKCASE

345 FX, 2011060001-Current

Ref	Part No	Description	Remark	QTY	KIT
1	537 23 04-01	CRANKCASE		1	
2	503 26 02-04	SEALING RING		1	1
3	720 13 07-10	PARALLEL PIN		2	1
4	503 94 80-01	GASKET		1	1
5	503 25 08-01	BEARING		2	1
6	725 53 31-55	SCREW IHSCM		4	1
7	505 27 57-19	SEALING RING		1	1
8	502 08 96-01	CABLE HOLDER		1	
9	503 73 58-01	BUSHING		1	
10	537 28 05-01	CABLE HOLDER		1	
11	537 30 94-01	SEALING	F, Fx, FxT, FR	1	
12	537 27 94-01	WALL	R, Rx	1	
12	537 30 99-01	WALL	F, Fx, FxT, FR	1	
13	537 39 10-01	SHORT CIRCUIT CABLE		1	

Q 343R, F, FR, 345Rx, Fx, FxT
CARBURETOR

Zama C1Q-EL21
Zama C1Q-EL23

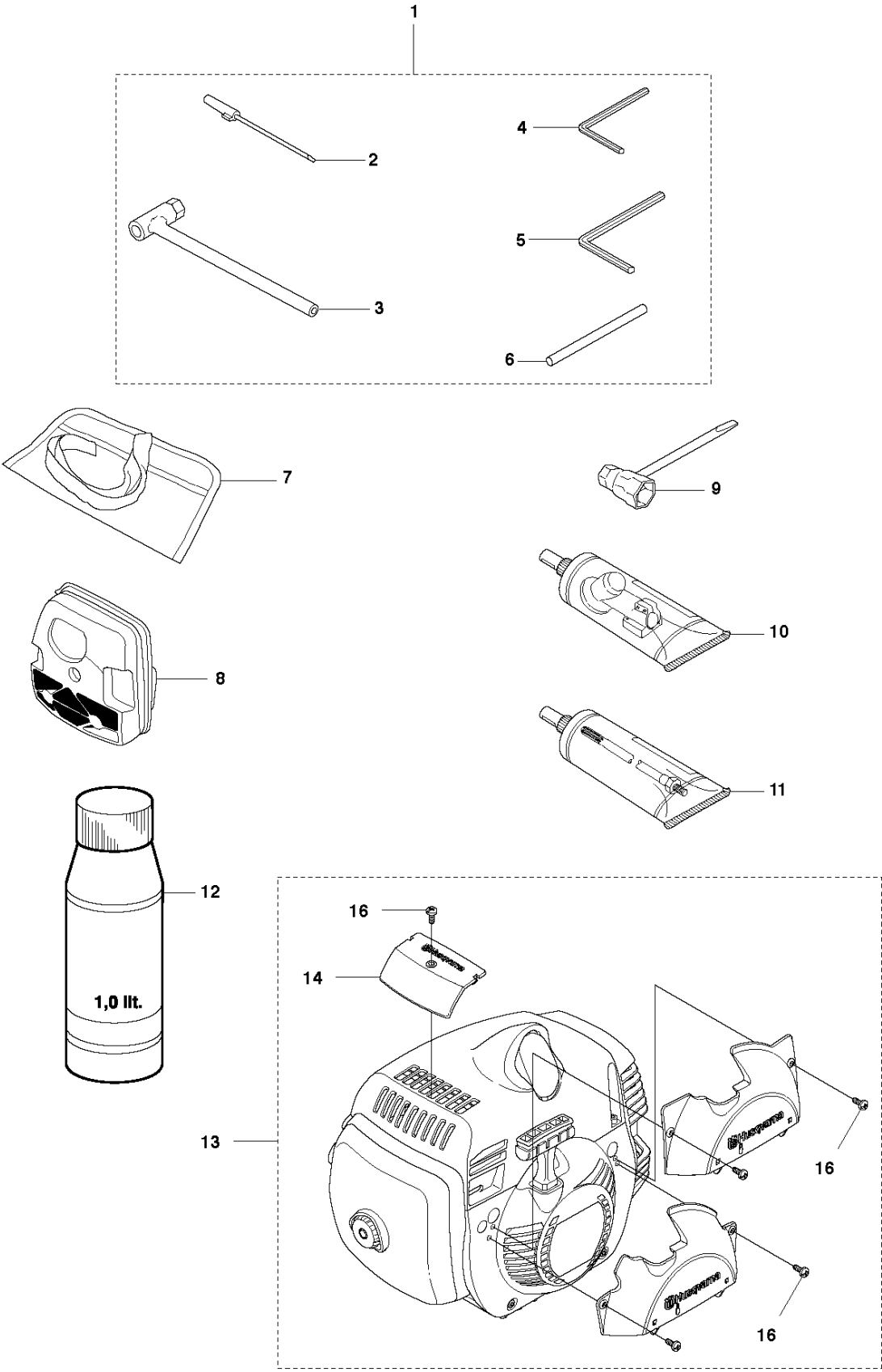


CARBURETOR

345 FX, 2011060001-Current

Ref	Part No	Description	Remark	QTY	KIT
1	503 28 31-16	CARBURETTOR	Zama C1Q-EL21	1	
1	503 28 31-18	CARBURETTOR	Zama C1Q-EL23 343R South America	1	
2	503 48 05-01	SCREW		2	1
3	503 97 43-01	COVER		1	1
4	503 48 02-01	DIAPHRAGM		1	1,46
5	503 48 03-01	GASKET		1	1,46
6	503 53 56-01	PLUG WELCH		1	1
7	544 11 49-01	NOZZLE ASSY		1	1
8	503 48 01-01	SCREW		1	1
9	503 48 00-01	PIN RETAINING SCREW		1	1
10	503 66 59-01	LEVER		1	1
11	503 47 97-01	VALVE		1	1
12	537 02 03-01	SPRING		1	1
13	503 47 90-01	SCREW		1	1
14	537 01 98-01	LEVER		1	1
15	503 47 89-01	COLLAR		1	1
16	537 02 09-01	SHAFT ASSY		1	1
17	503 48 19-01	COLLAR		1	1
18	537 04 90-01	LEVER		1	1
19	537 02 11-01	VALVE		1	1
20	503 48 18-01	SCREW		1	1
21	537 02 10-01	SPRING		1	1
22	537 01 26-01	SPRING		1	1
23	537 01 25-01	BALL		1	1
24	503 53 57-01	STRAINER		1	1
25	503 75 53-01	SCREW		1	1
26	537 02 00-01	DIAPHRAGM PUMP		1	1,46
27	537 02 01-01	GASKET		1	1,46
28	537 02 02-01	COVER		1	1
29	503 47 96-01	SCREW		1	1
30	537 02 07-01	SCREW		1	1
31	503 48 11-01	PIECE		1	1
32	537 27 54-01	SHAFT ASSY		1	1
33	537 38 68-01	VALVE		1	1
34	503 47 92-01	SCREW		1	1
35	537 28 71-01	SPRING		1	1
36	503 90 33-01	LIMITER CAP	H Zama C1Q-EL21	1	1
37	503 90 32-01	LIMITER CAP	L Zama C1Q-EL21	1	1
38	537 27 56-01	SCREW	H Zama C1Q-EL21	1	1
39	537 27 55-01	SCREW	L Zama C1Q-EL21	1	1
40	503 97 40-01	WASHER	Zama C1Q-EL21	2	1
41	503 90 34-01	RETAINER	Zama C1Q-EL21	1	1
42	537 27 42-01	BOOT	Zama C1Q-EL21	1	1
43	537 38 70-01	SCREW	Zama C1Q-EL23	1	1
44	537 38 69-01	SCREW	Zama C1Q-EL23	1	1
45	503 48 08-01	SPRING	Zama C1Q-EL23	2	1
46	537 24 36-01	GASKET KIT	Gasket kit	1	

R1 343R, F, FR, 345Rx, Fx, FxT
ACCESSORIES

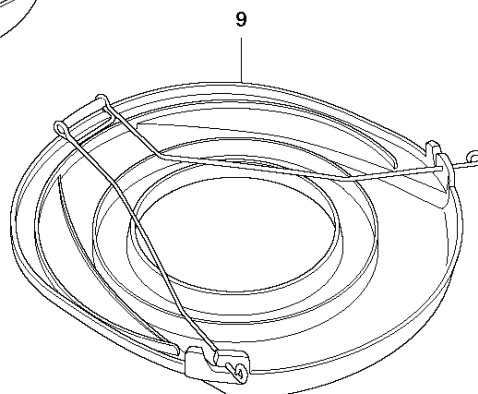
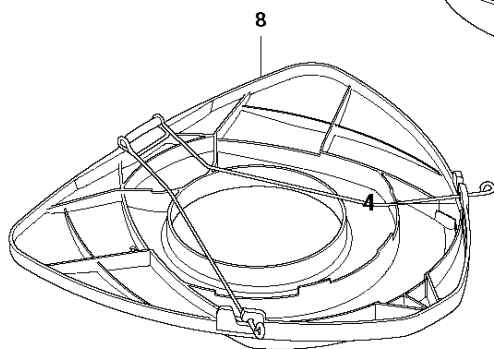
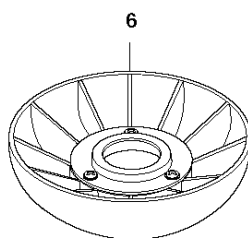
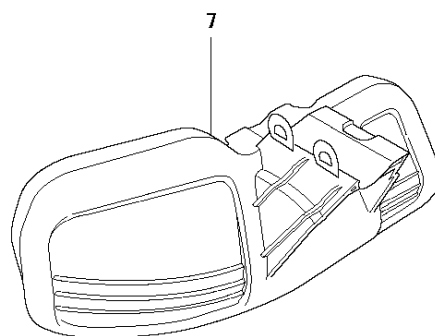
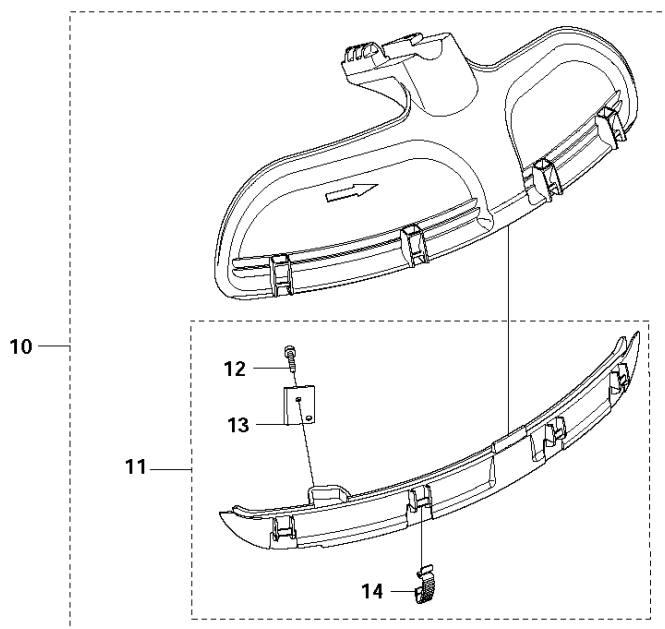
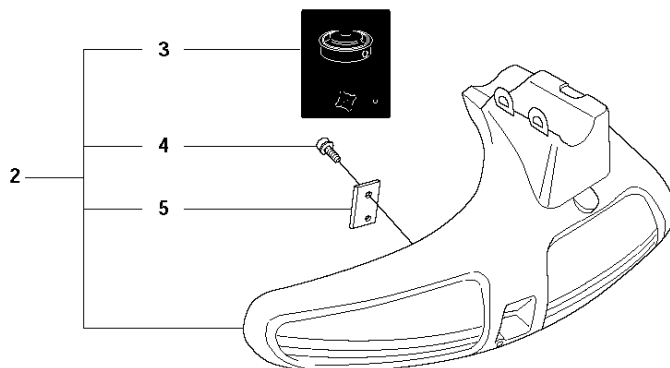
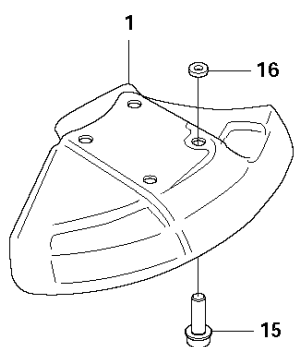


ACCESSORIES

345 FX, 2011060001-Current

Ref	Part No	Description	Remark	QTY	KIT
1	502 21 60-13	ACCESSORY BAG		1	
2	501 60 02-03	SCREWDRIVER		1	1
3	502 11 46-03	KEY		1	1
4	502 21 58-01	WRENCH	4 mm	1	1
5	503 55 86-02	SPANNER	5 mm	1	1
6	502 28 59-01	STOP		1	1
7	501 19 22-01	TOOL		1	
8	537 38 11-01	FILTER	NYLON μ 80 = Black	1	
8	537 38 11-02	FILTER	NYLON μ 44 = Yellow	1	
8	537 38 11-03	FILTER	FELT = White	1	
8	537 38 11-04	FILTER	NYLON μ 100 = Grey	1	
9	501 69 17-01	COMBINATION WRENCH		1	
10	503 97 64-01	GREASE		1	
11	503 80 17-01	GREASE		1	
12	531 00 92-48	FILTER OIL	Oil Airfilter 1.0 litre	1	
13	537 23 84-01	WINTER KIT	Winter Kit	1	
14	537 17 87-01	WINTER COVER		1	13
16	503 21 70-10	SCREW CCRPANT		3	13

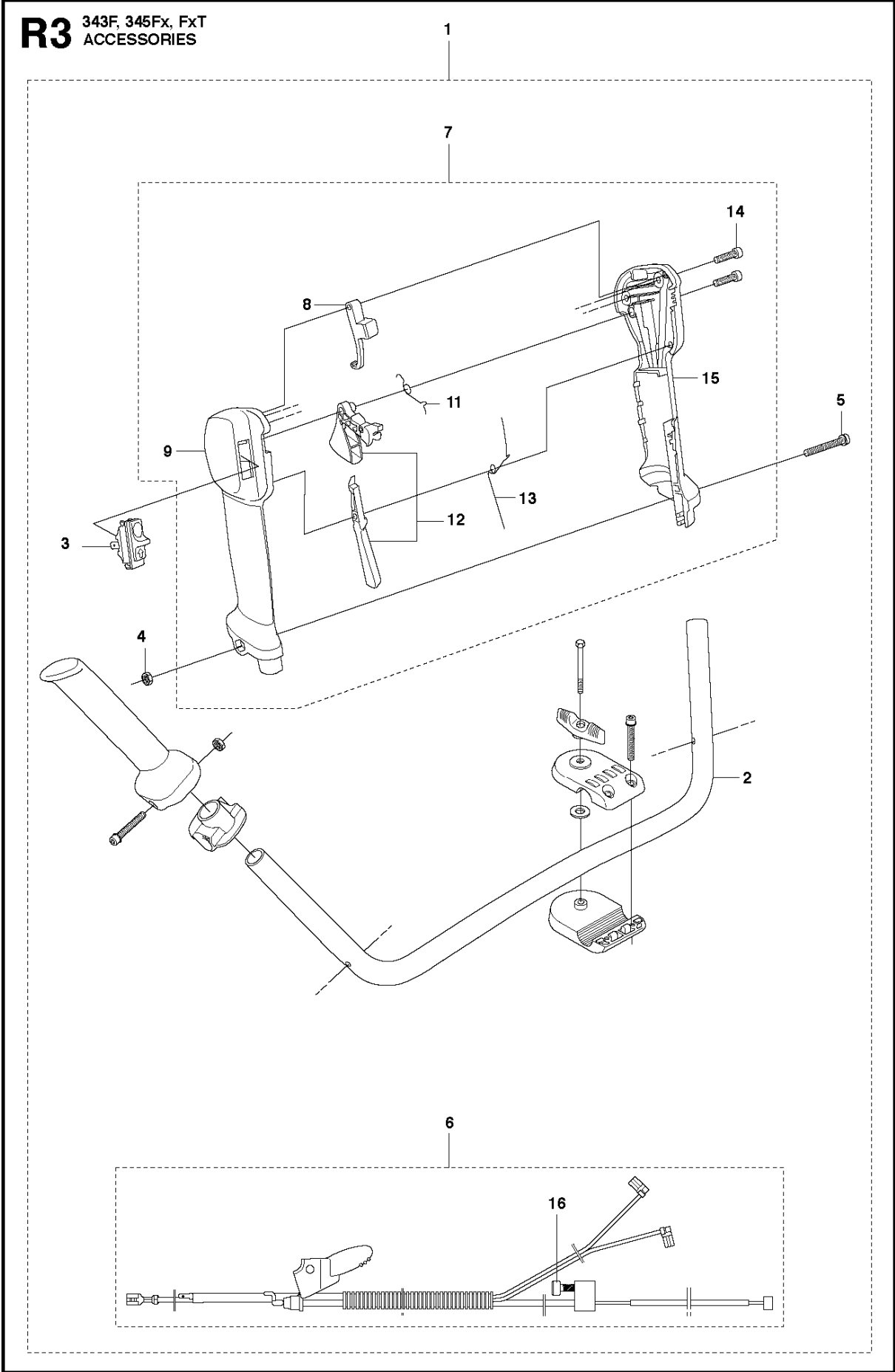
R2 343R, F, FR, 345Rx, Fx, FxT
ACCESSORIES



ACCESSORIES

345 FX, 2011060001-Current

Ref	Part No	Description	Remark	QTY	KIT
1	574 50 67-02	SAW BLADE GUARD	225 mm Sawblade guard	1	
1	574 53 26-01	BLADE GUARD	200 mm Sawblade guard	1	
2	503 95 43-01	TRIMMER GUARD ASSY	Trimmer guard	1	
3	503 74 29-01	DECAL		1	2
4	503 21 07-16	SCREW IH SCT		1	2
5	503 79 88-01	BLADE		1	2
6	502 15 70-02	SUPPORT CUP		1	
7	537 28 85-01	BLADE GUARD	Grassblade guard	1	
8	544 35 91-01	TRANSPORT GUARD	300-350 mm, Transport guard	1	
9	537 31 29-01	TRANSPORT GUARD	200-275 mm, Transport guard	1	
10	544 46 43-01	COMBINATION GUARD	Kombi guard	1	
11	537 39 63-01	SPLASH GUARD		1	10
12	503 21 07-16	SCREW IH SCT		1	10
13	503 79 88-01	BLADE		1	10
14	537 38 72-01	SNAP LOCKING		4	10
15	503 20 03-16	SCREW IH SCFM		1	
16	574 03 95-01	LOCK NUT		1	

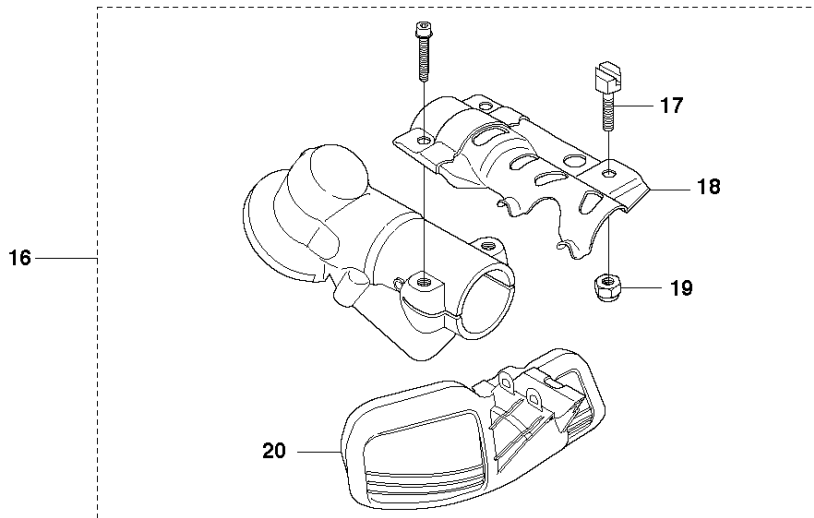
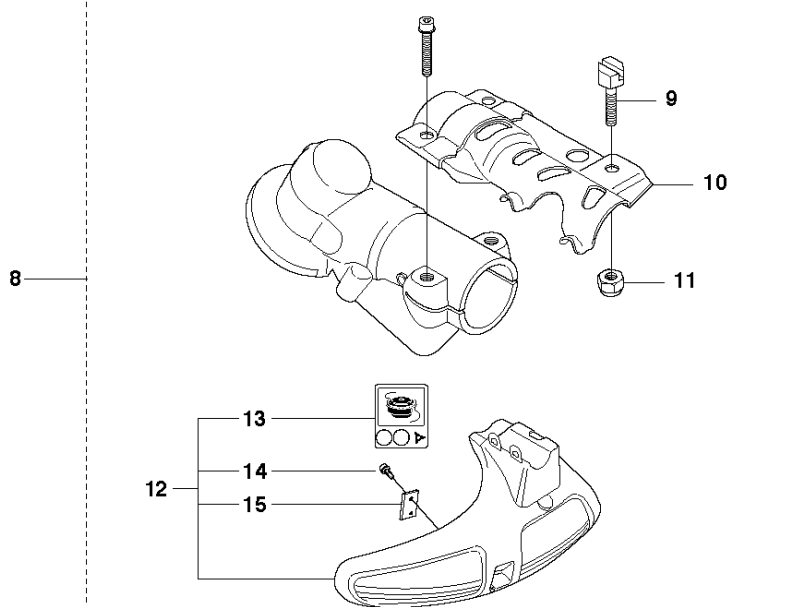
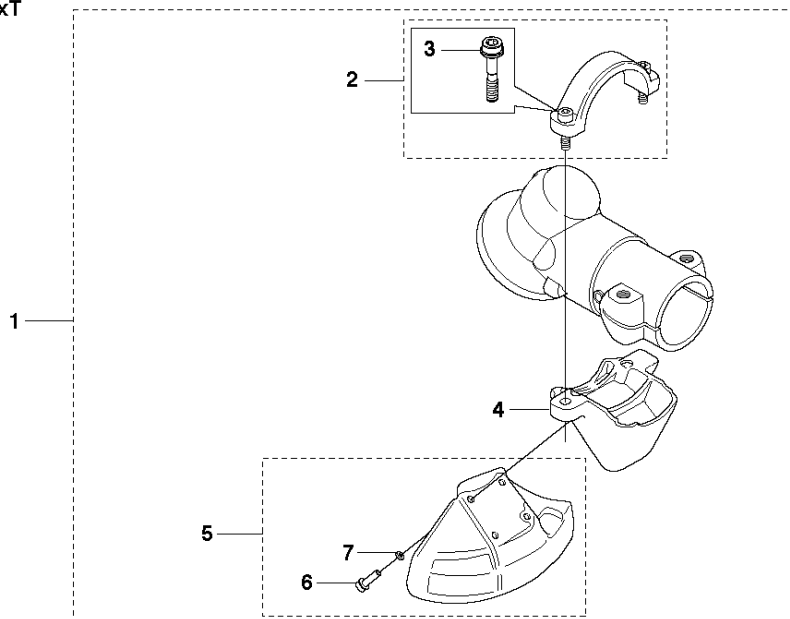


ACCESSORIES FOR CANADA ONLY

345 FX, 2011060001-Current

Ref	Part No	Description	Remark	QTY KIT	
1	510 11 88-01	KIT	F, Fx, FxT Canada	1	
2	503 95 86-03	HANDLEBAR		1	1
3	537 41 90-01	SWITCH		1	1
4	503 22 10-13	HEXAGON NUT		1	1
5	503 20 07-35	SCREW IHSCFM		1	1
6	544 97 78-02	WIRING ASSY	For index finger operated throttle	1	1
7	504 20 98-04	THROTTLE HANDLE ASSY	Index finger operated throttle	1	1
8	537 16 07-01	THROTTLE LOCKOUT		1	1,7
9	537 18 07-11	HANDLE HALF		1	1,7
11	537 17 42-01	SPRING THROTTLE TRIG		1	1,7
12	506 49 77-01	THROTTLE CONTROL		1	1,7
13	537 17 43-01	SPRING		1	1,7
14	503 21 66-18	SCREW IHSCCT		2	1,7
15	537 18 08-11	HANDLE HALF		1	1,7
16	503 21 66-16	SCREW IHSCCT		1	1,6,7

R4 343R, F, FR, 345Rx, Fx, FxT
ACCESSORIES

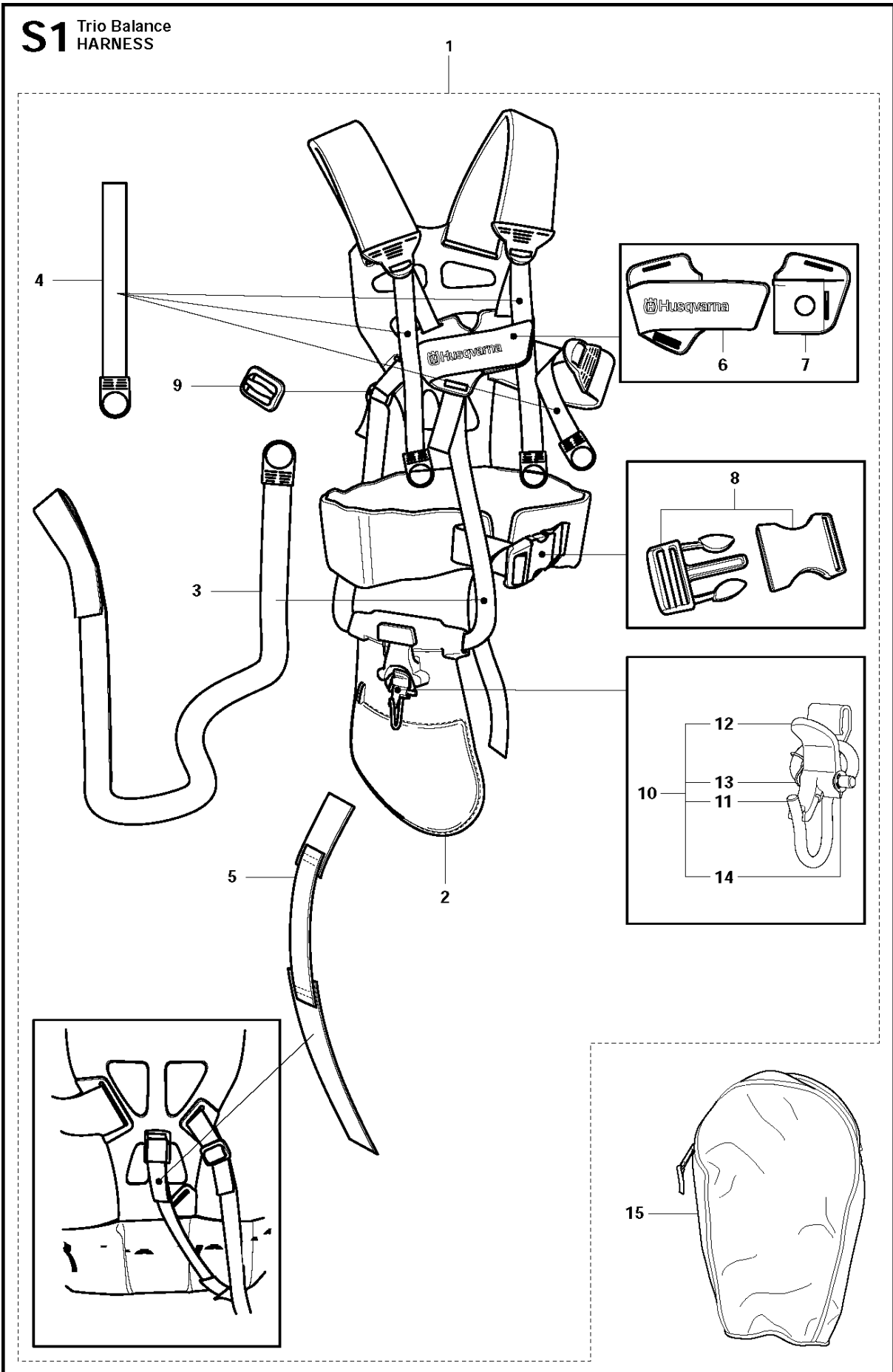


ACCESSORIES

345 FX, 2011060001-Current

Ref	Part No	Description	Remark	QTY KIT	
1	537 31 09-02	SAW BLADE GUARD	R, Rx, FR	1	
2	574 55 54-01	CLAMP	Spare part with Captive Screw	1	1
3	573 99 43-04	SCREW IHSCFMO	Captive Screw	2	1,2
4	504 00 33-01	ADAPTER		1	1
5	537 21 71-04	BLADE GUARD	200mm	1	1
6	503 20 03-16	SCREW IHSCFM		4	1,5
7	574 03 95-01	LOCK NUT		4	1,5
8	537 29 73-01	TRIMMER GUARD ASSY	F, Fx, FxT	1	
9	537 18 95-01	SCREW		1	8
10	537 23 03-01	ATTACHMENT PLATE		1	8
11	732 21 16-01	LOCK NUT		1	8
12	503 95 43-02	TRIMMER GUARD		1	8
13	503 74 29-01	DECAL		1	8,12
14	503 21 07-16	SCREW IHSCF		1	8,12
15	537 28 53-01	BLADE		1	8,12
16	537 29 74-01	BLADE GUARD	F, Fx, FxT	1	
17	537 18 95-01	SCREW		1	16
18	537 23 03-01	ATTACHMENT PLATE		1	16
19	732 21 16-01	LOCK NUT		1	16
20	537 28 85-01	BLADE GUARD		1	16

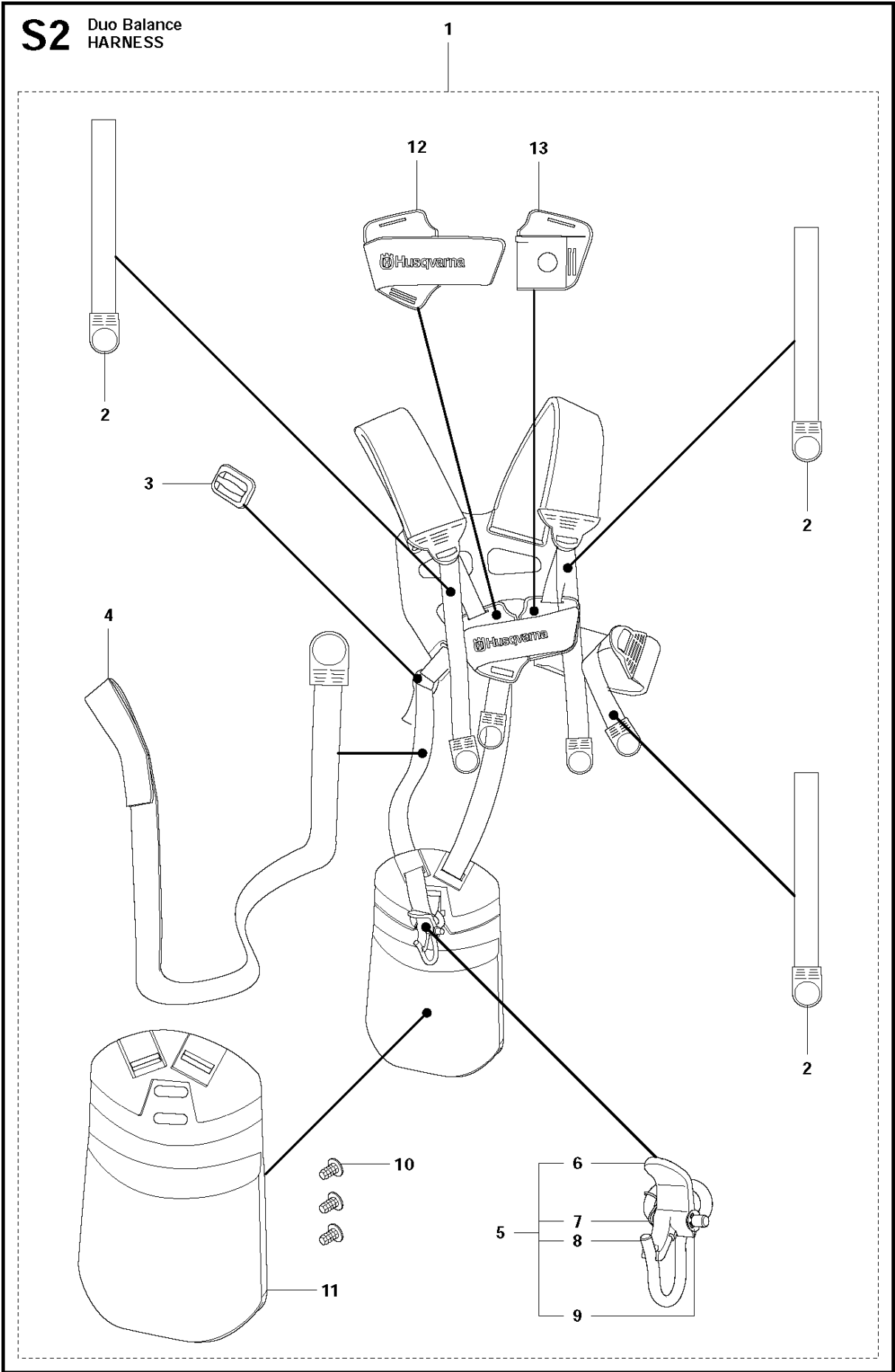
S1 Trio Balance
HARNESS



HARNESSES

345 FX, 2011060001-Current

Ref	Part No	Description	Remark	QTY	KIT
1	504 04 52-01	HARNESSES	Fx, FxT, FR, Rx	1	
1	505 40 62-01	HARNESSES	US	1	1
2	544 90 17-01	HIP PAD		1	1
3	503 99 61-04	BAND		1	1
4	503 99 61-01	BAND		3	1
5	537 15 35-01	STRAP		1	1
6	537 28 84-01	BUCKLE		1	1
7	537 28 83-01	BUCKLE		1	1
8	537 33 15-01	BUCKLE		1	1
9	537 11 35-01	RETAINER		1	1
10	544 96 07-02	WELT HOOK		1	1
11	502 02 29-02	HOOK		1	1,1
12	502 02 30-02	LOCK		1	1,1
13	502 02 38-01	SPRING		1	1,1
14	735 31 09-20	E-CLIP		1	1,1
15	537 30 66-01	BAG	Trio Balance Tool bag	1	



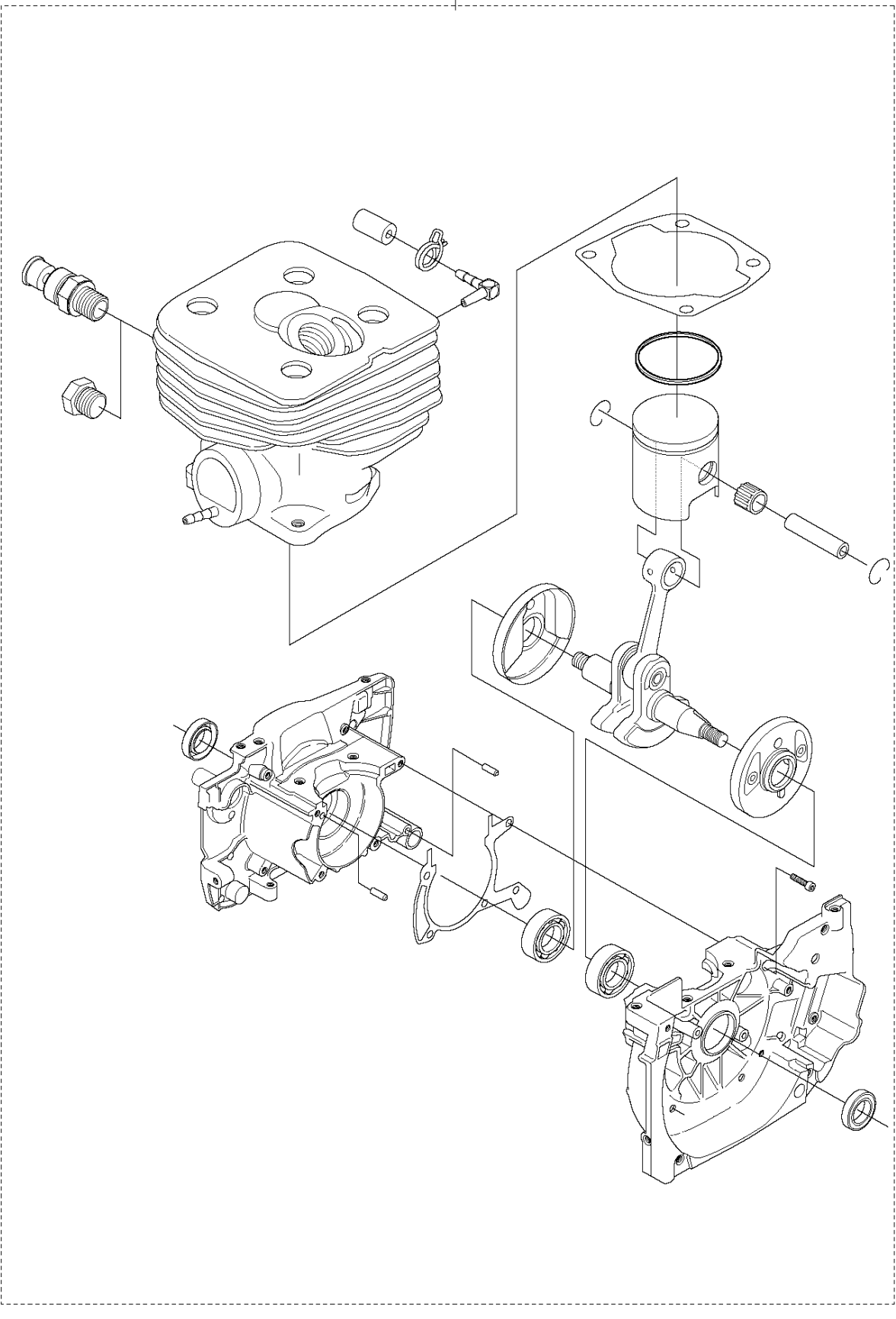
HARNESS

345 FX, 20110600001-Current

Ref	Part No	Description	Remark	QTY KIT	
1	537 27 57-01	HARNESS	F, FR, R	1	
1	537 27 57-03	HARNESS	US	1	
2	503 99 61-01	BAND		3	1
3	537 11 35-01	RETAINER		1	1
4	503 99 61-03	BAND		1	1
5	502 02 28-01	HOOK		1	1
6	502 02 30-02	LOCK		1	1,5
7	502 02 38-01	SPRING		1	1,5
8	502 02 29-02	HOOK		1	1,5
9	735 31 09-20	E-CLIP		1	1,5
10	537 17 54-01	HIP PAD		3	1
11	537 27 59-01	HIP PAD		1	1
12	537 28 84-01	BUCKLE		1	1
13	537 28 83-01	BUCKLE		1	1

T 343R, F, FR, 345Rx, Fx, FxT
SHORT BLOCK

1



Ref	Part No	Description	Remark	QTY KIT
1	576 82 97-01	SHORT BLOCK	Assembled	1