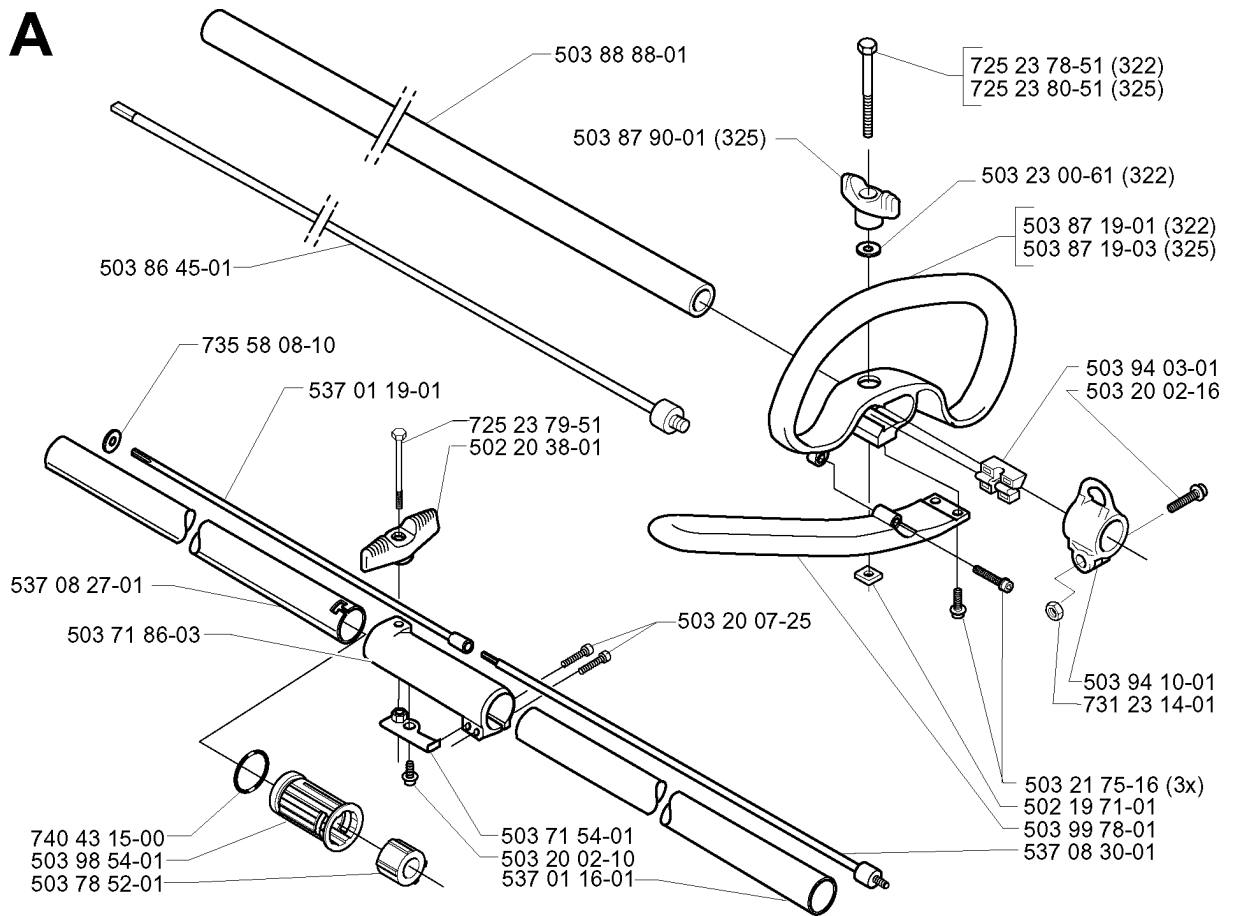




# SPARE PARTS LIST

BRUSHCUTTERS/CLEARING SAWS  
325 RJ X-SERIES, 20000100001-Current

**A**

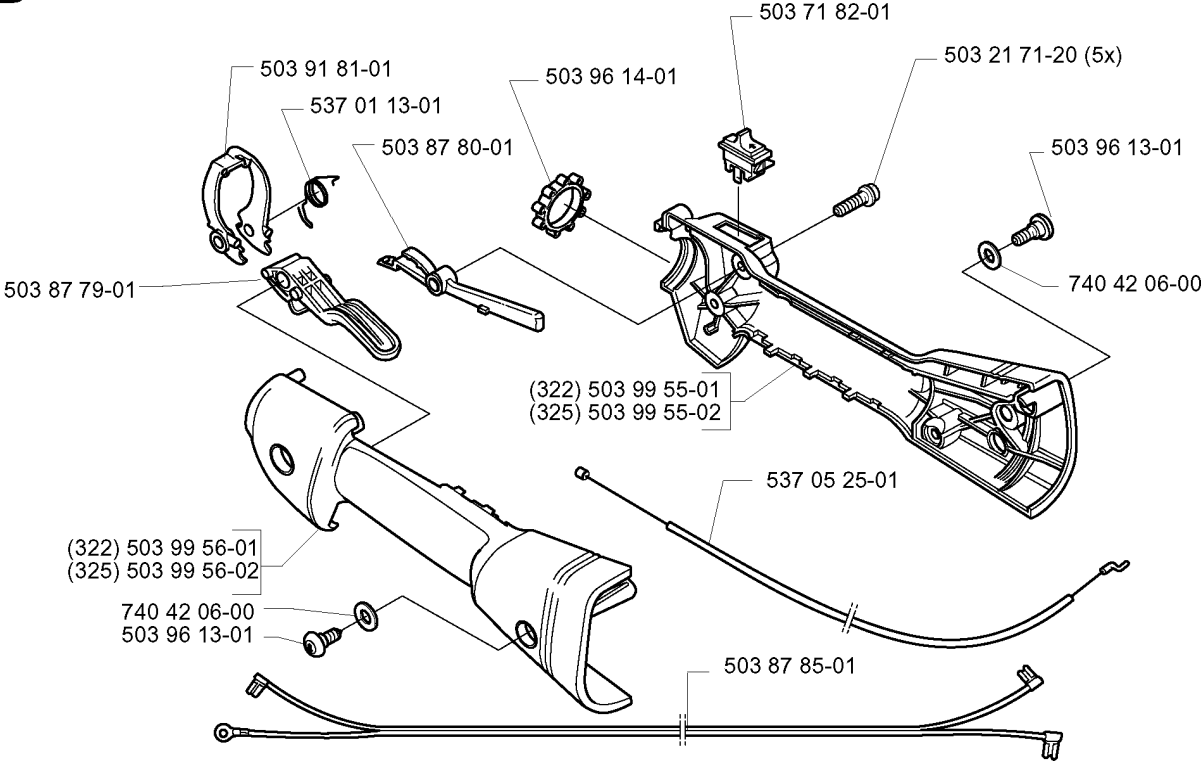


## SHAFT &amp; HANDLE

325 RJ X-SERIES, 20000100001-Current

Part No	Description	Remark	QTY KIT
502 19 71-01	SQUARE NUT		1
502 20 38-01	KNOB		1
503 20 02-10	SCREW IHSCFM		1
503 20 02-16	SCREW IHSCFM		1
503 20 07-25	SCREW IHSCFM		1
503 21 75-16	SCREW IHSCFT	3X	1
503 23 00-61	WASHER	322	1
503 71 54-01	LOCKING PLATE		1
503 71 86-03	CLAMPING SLEEVE ASSY		1
503 78 52-01	SUPPORTING BEARING		1
503 86 45-01	DRIVE SHAFT		1
503 87 19-01	HANDLE LOOP	322	1
503 87 19-03	HANDLE	325	1
503 87 90-01	KNOB	325	1
503 88 88-01	TUBE		1
503 94 03-01	DISTANCE		1
503 94 10-01	HOOK		1
503 98 54-01	BEARING CAGE		1
503 99 78-01	HANDLE		1
537 01 16-01	TUBE		1
537 01 19-01	DRIVE SHAFT		1
537 08 27-01	TUBE		1
537 08 30-01	DRIVE SHAFT		1
725 23 78-51	SCREW EHHM	322	1
725 23 79-51	SCREW EHHM		1
725 23 80-51	SCREW EHHM	325	1
731 23 14-01	HEXAGON NUT		1
735 58 08-10	LOCKWASHER		1
740 43 15-00	O-RING		1

**B**



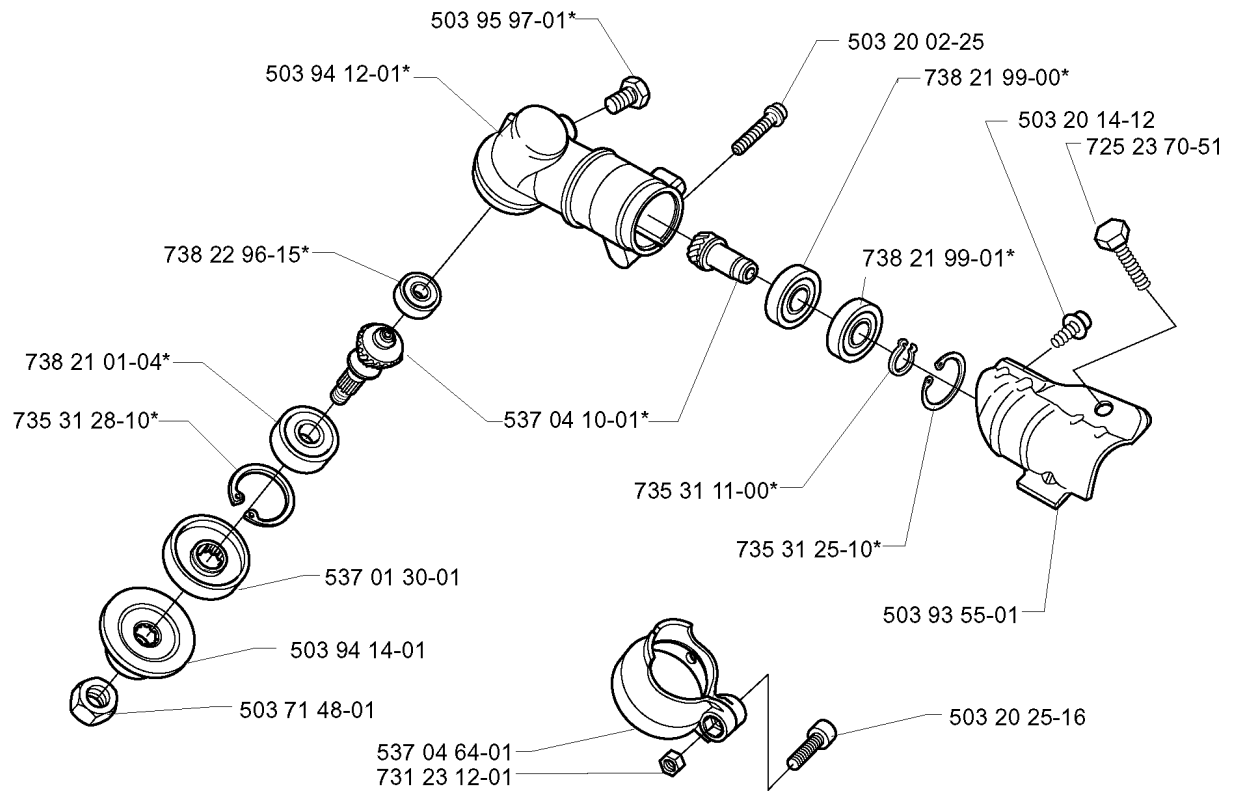
## THROTTLE CONTROLS

325 RJ X-SERIES, 20000100001-Current

Part No	Description	Remark	QTY KIT
503 21 71-20	SCREW IHSCT	5X	1
503 71 82-01	SWITCH		1
503 87 79-01	THROTTLE TRIGGER		1
503 87 80-01	THROTTLE LOCKOUT		1
503 87 85-01	SHORT CIRCUIT CABLE		1
503 91 81-01	THROTTLE LEVER		1
503 96 13-01	SCREW		1
503 96 13-01	SCREW		1
503 96 14-01	ABSORBER		1
503 99 55-01	HANDLE HALF	322	1
503 99 55-02	HANDLE HALF	325	1
503 99 56-01	HANDLE HALF	322	1
503 99 56-02	HANDLE HALF	325	1
537 01 13-01	RECOIL SPRING		1
537 05 25-01	THROTTLE CABLE ASSY		1
740 42 06-00	O-RING		1
740 42 06-00	O-RING		1

**C**

\*compl 503 94 11-01

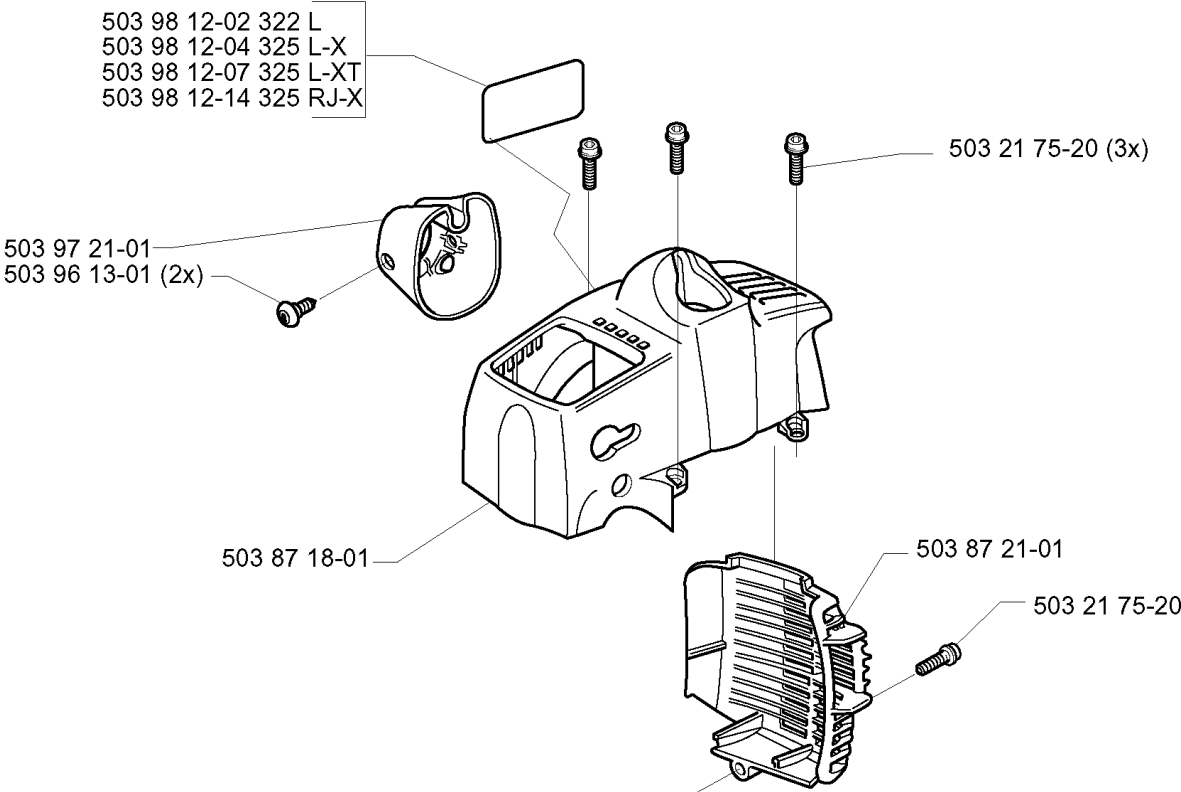


## BEVEL GEAR

325 RJ X-SERIES, 20000100001-Current

Part No	Description	Remark	QTY KIT
503 20 02-25	SCREW IHSCFM		1
503 20 14-12	SCREW IHSCFMO		1
503 20 25-16	SCREW IHSCM		1
503 71 48-01	NUT BLADE		1
503 93 55-01	CLAMP.GUARD		1
503 94 11-01	GEAR ASSY		1
503 94 12-01	GEAR HOUSING		1
503 94 14-01	SUPPORT FLANGE		1
503 95 97-01	SCREW		1
537 01 30-01	DRIVER		1
537 04 10-01	GEAR WHEEL KIT		1
537 04 64-01	COVER		1
725 23 70-51	SCREW		1
731 23 12-01	HEXAGON NUT		1
735 31 11-00	CIRCLIP		1
735 31 25-10	CIRCLIP		1
735 31 28-10	CIRCLIP		1
738 21 01-04	BALL BEARING		1
738 21 99-00	BALL BEARING		1
738 21 99-01	BALL BEARING		1
738 22 96-15	BALL BEARING		1

D



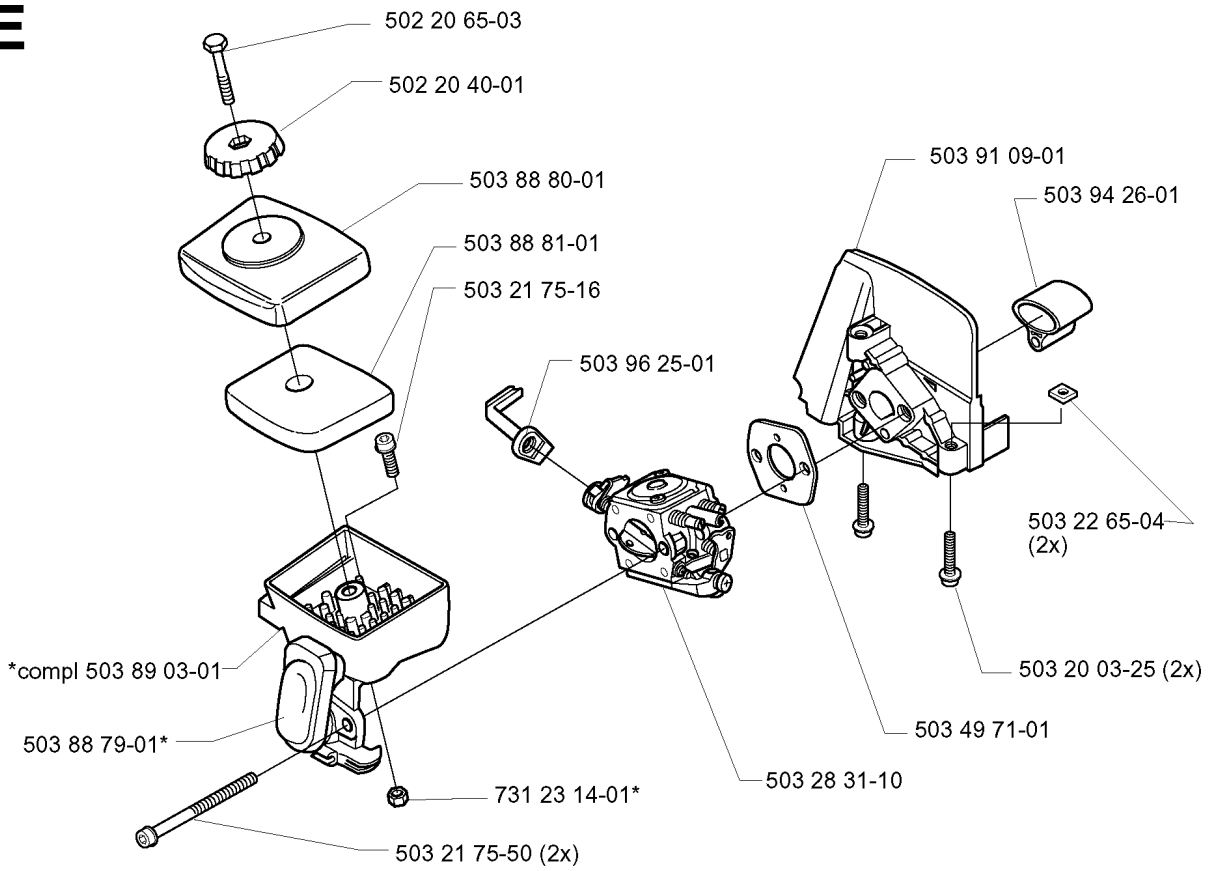


COVER

325 RJ X-SERIES, 20000100001-Current

Part No	Description	Remark	QTY KIT
503 21 75-20	SCREW IHSCFT		1
503 21 75-20	SCREW IHSCFT	3X	1
503 87 18-01	CYLINDER COVER		1
503 87 21-01	HEAT PROTECTOR		1
503 96 13-01	SCREW	2X	1
503 97 21-01	COVER		1
503 98 12-02	LABEL	322 L	1
503 98 12-04	LABEL	325 L-X	1
503 98 12-07	LABEL	325 L-XT	1
503 98 12-14	LABEL	325 RJ-X	1

**E**

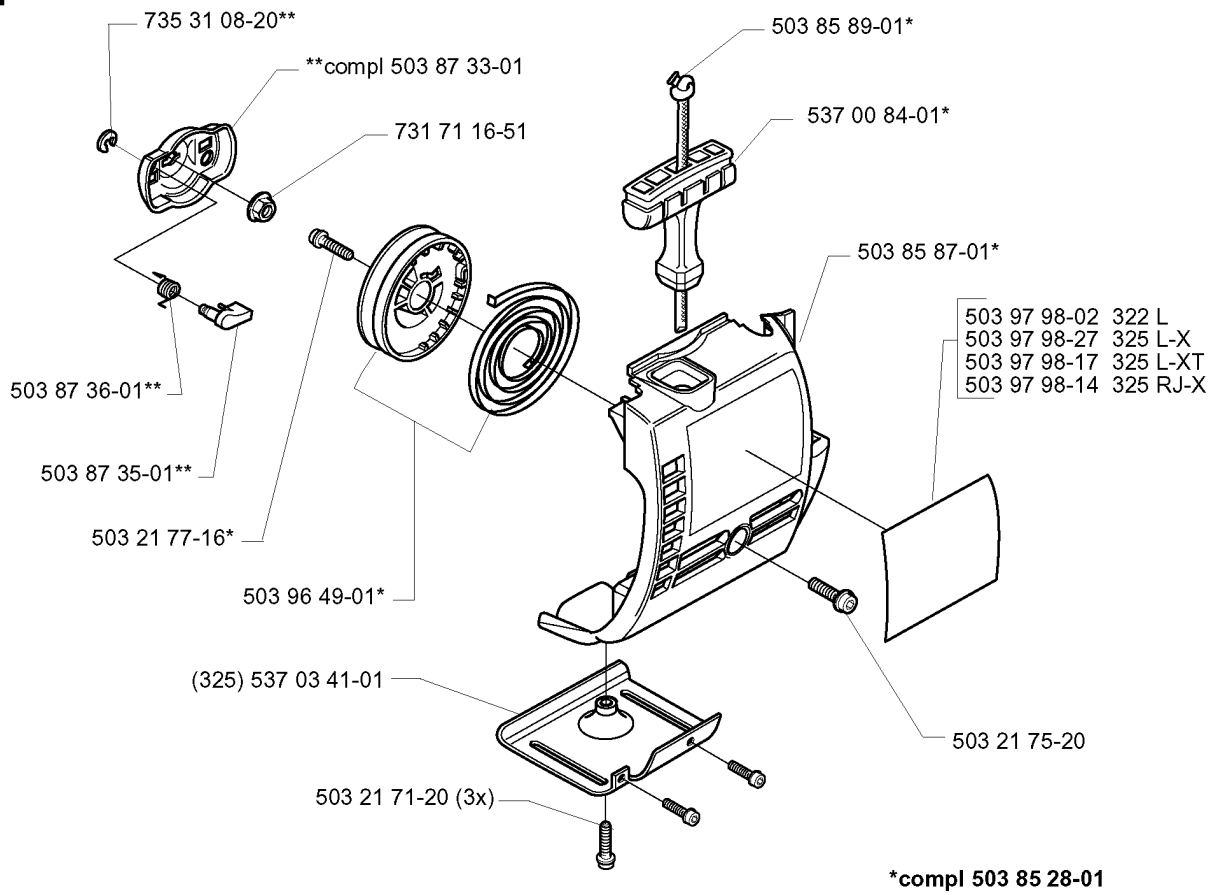


## CARBURETOR &amp; AIR FILTER

325 RJ X-SERIES, 20000100001-Current

Part No	Description	Remark	QTY KIT
502 20 40-01	KNOB		1
502 20 65-03	SCREW EHHM		1
503 20 03-25	SCREW IHSCFM	2X	1
503 21 75-16	SCREW IHSCFT		1
503 21 75-50	SCREW IHSCFT	2X	1
503 22 65-04	SQUARE NUT	2X	1
503 28 31-10	CARBURETTOR		1
503 49 71-01	GASKET		1
503 88 79-01	HUB CAP		1
503 88 80-01	FILTER COVER		1
503 88 81-01	AIR FILTER		1
503 89 03-01	FILTER HOLDER		1
503 91 09-01	INSULATION WALL		1
503 94 26-01	INLET PIPE		1
503 96 25-01	CHOKE CONTROL		1
731 23 14-01	HEXAGON NUT		1

**F**

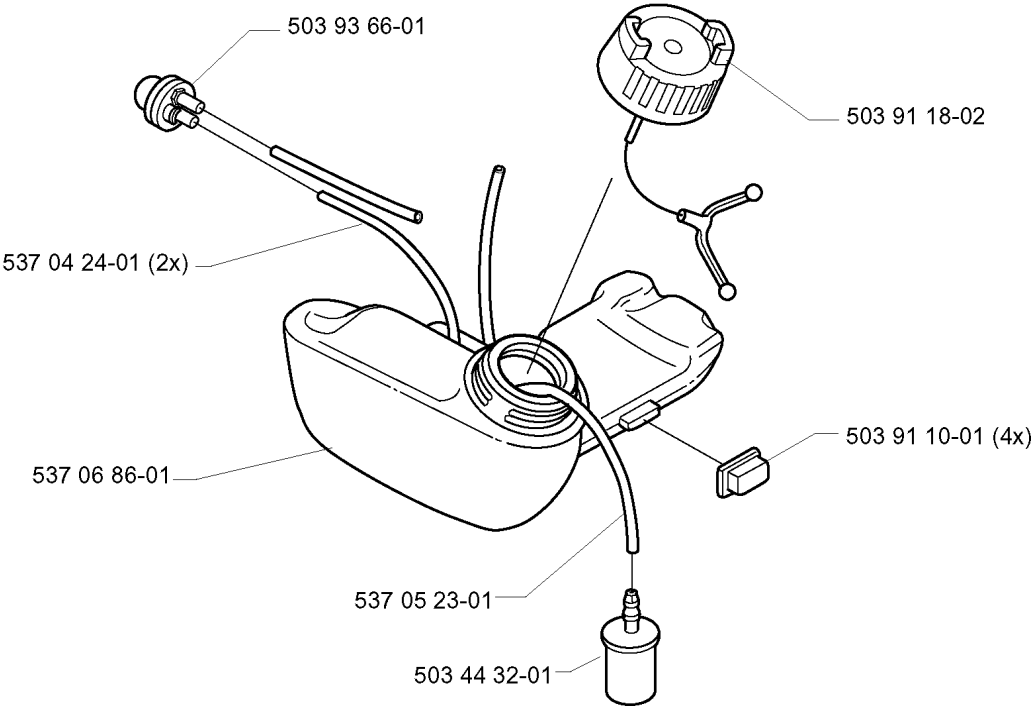


## STARTER

325 RJ X-SERIES, 20000100001-Current

Part No	Description	Remark	QTY KIT
503 21 71-20	SCREW IHSCCT	3X	1
503 21 75-20	SCREW IHSCFT		1
503 21 77-16	SCREW IHSCCT		1
503 85 28-01	STARTER ASSY		1
503 85 87-01	STARTER HOUSING		1
503 85 89-01	STARTER ROPE		1
503 87 33-01	STARTER PAWL BRIDGE		1
503 87 35-01	STARTER PAWL		1
503 87 36-01	SPRING		1
503 96 49-01	STARTER PULLEY		1
503 97 98-02	DECAL	322 L	1
503 97 98-14	DECAL	325 RJ-X	1
503 97 98-17	DECAL	325 L-XT	1
503 97 98-27	DECAL	325 L-X	1
537 00 84-01	STARTER HANDLE		1
537 03 41-01	PROTECTIVE PLATE	325	1
731 71 16-51	HEXAGON NUT FLANGE		1
735 31 08-20	E-CLIP		1

**G**

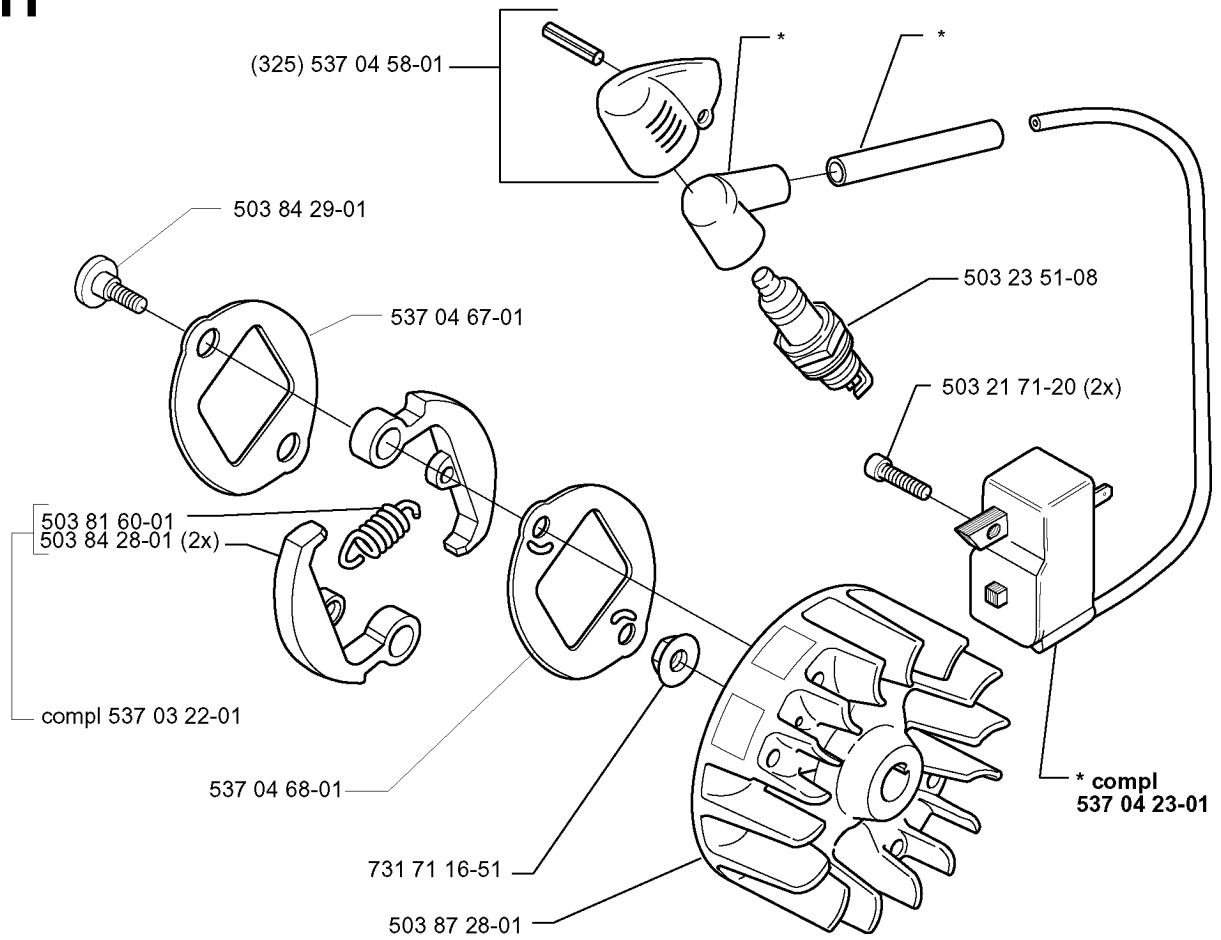


## FUEL TANK

325 RJ X-SERIES, 20000100001-Current

Part No	Description	Remark	QTY KIT
503 44 32-01	FUEL FILTER		1
503 91 10-01	SUSPENSION	4X	1
503 91 18-02	TANK CAP		1
503 93 66-01	PURGE		1
537 04 24-01	FUEL HOSE	2X	1
537 05 23-01	FUEL HOSE		1
537 06 86-01	FUEL TANK		1

H



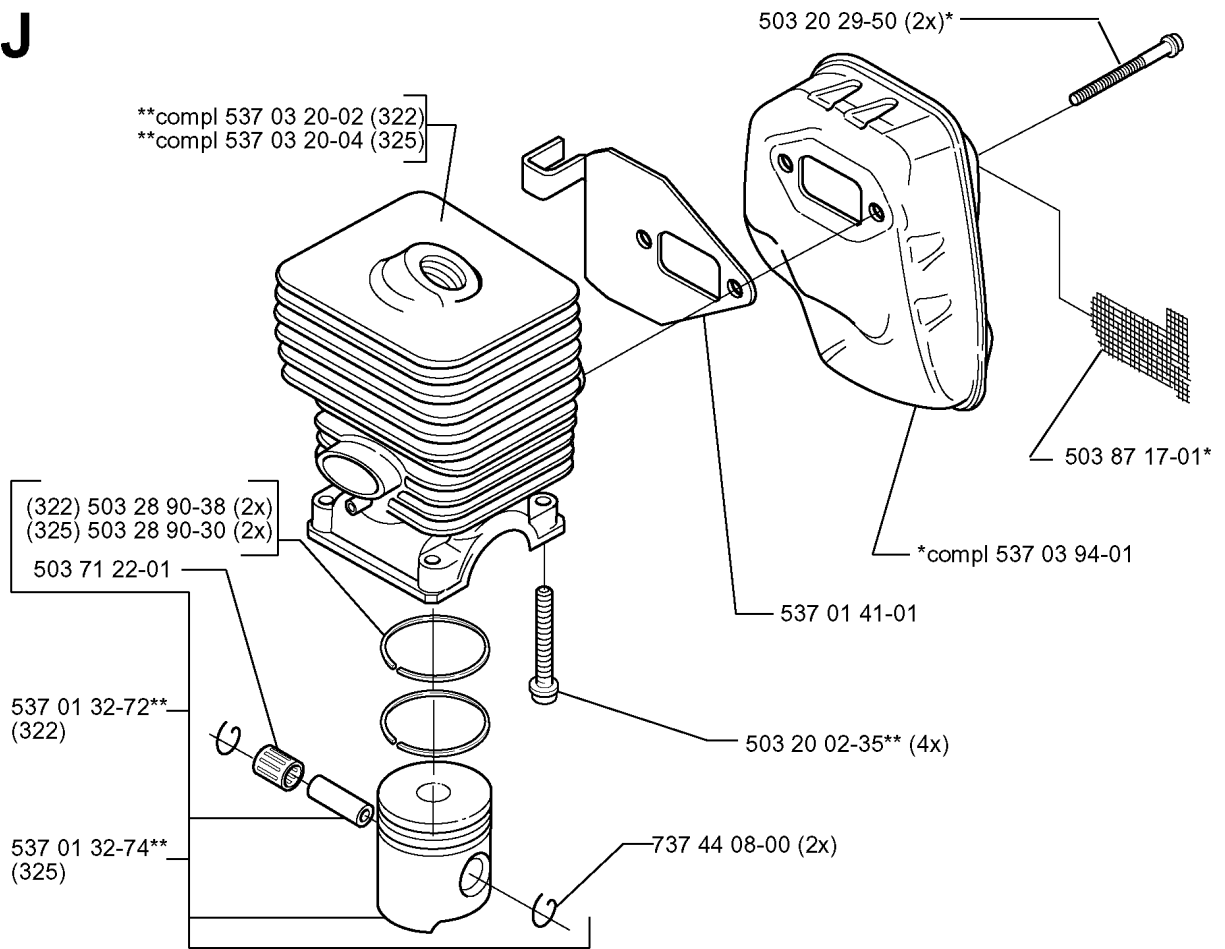


## IGNITION SYSTEM &amp; CLUTCH

325 RJ X-SERIES, 20000100001-Current

Part No	Description	Remark	QTY KIT
503 21 71-20	SCREW IH SCT	2X	1
503 23 51-08	SPARK PLUG		1
503 81 60-01	CLUTCH SPRING		1
503 84 28-01	CLUTCH SHOE	2X	1
503 84 29-01	SCREW		1
503 87 28-01	FLYWHEEL		1
537 03 22-01	CLUTCH ASSY		1
537 04 23-01	IGNITION MODULE		1
537 04 58-01	COVER	325	1
537 04 67-01	WASHER		1
537 04 68-01	WASHER		1
731 71 16-51	HEXAGON NUT FLANGE		1

**J**

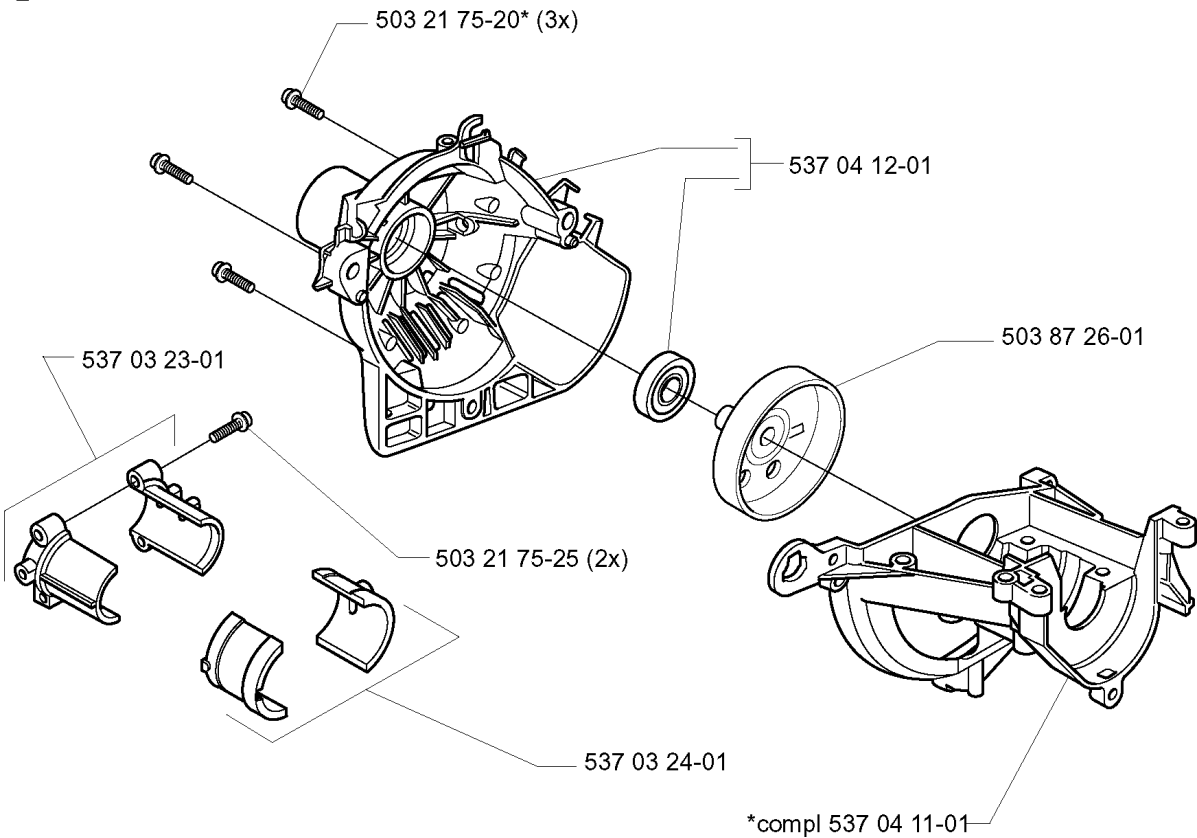


## CYLINDER PISTON

325 RJ X-SERIES, 20000100001-Current

Part No	Description	Remark	QTY KIT
503 20 02-35	SCREW IHSCFM	4X	1
503 20 29-50	SCREW IHSCFM	2X	1
503 28 90-30	PISTON RING	325 2X	1
503 28 90-38	PISTON RING	322 2X	1
503 71 22-01	BEARING		1
503 87 17-01	SPARK ARRESTER SCREEN		1
537 01 32-72	PISTON	322	1
537 01 32-74	PISTON	325	1
537 01 41-01	GASKET		1
537 03 20-02	PISTON	322	1
537 03 20-04	PISTON	325	1
537 03 94-01	MUFFLER ASSY		1
737 44 08-00	CIRCLIP	2X	1

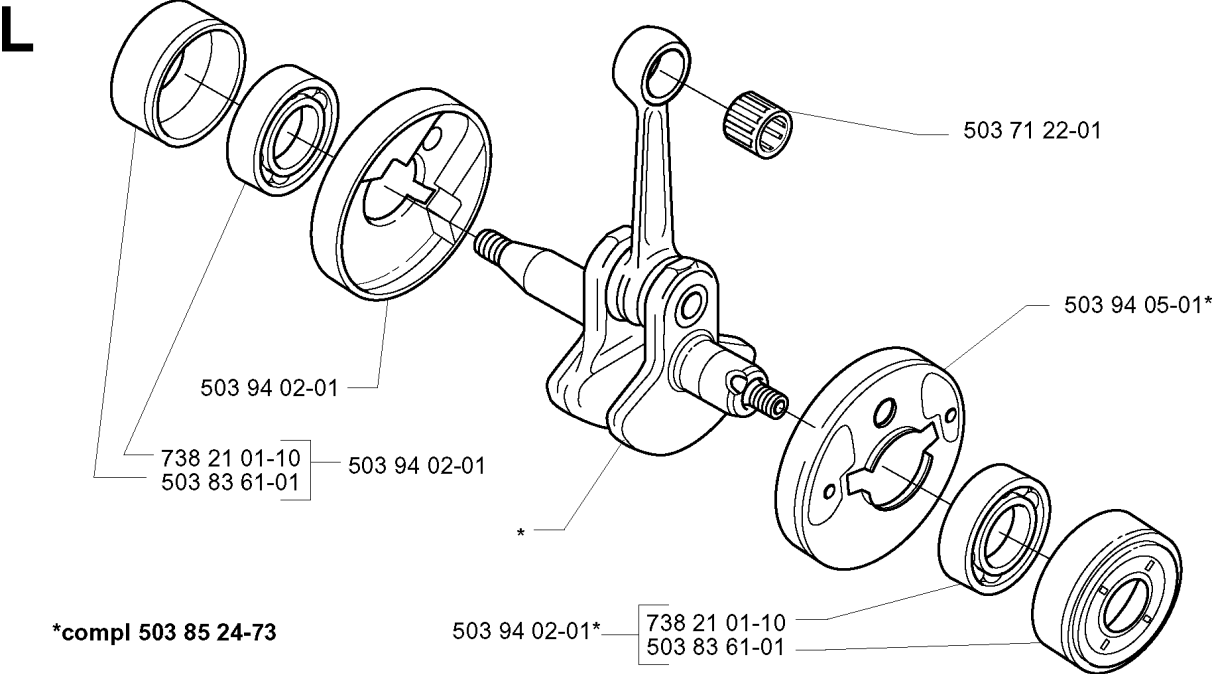
**K**



## CRANKCASE

325 RJ X-SERIES, 20000100001-Current

Part No	Description	Remark	QTY KIT
503 21 75-20	SCREW IHSCFT	3X	1
503 21 75-25	SCREW IHSCFT	2X	1
503 87 26-01	CLUTCH DRUM ASSY		1
537 03 23-01	CLAMPING SLEEVE ASSY		1
537 03 24-01	INSULATOR		1
537 04 11-01	CRANKCASE		1
537 04 12-01	CLUTCH COVER		1



## CRANKSHAFT

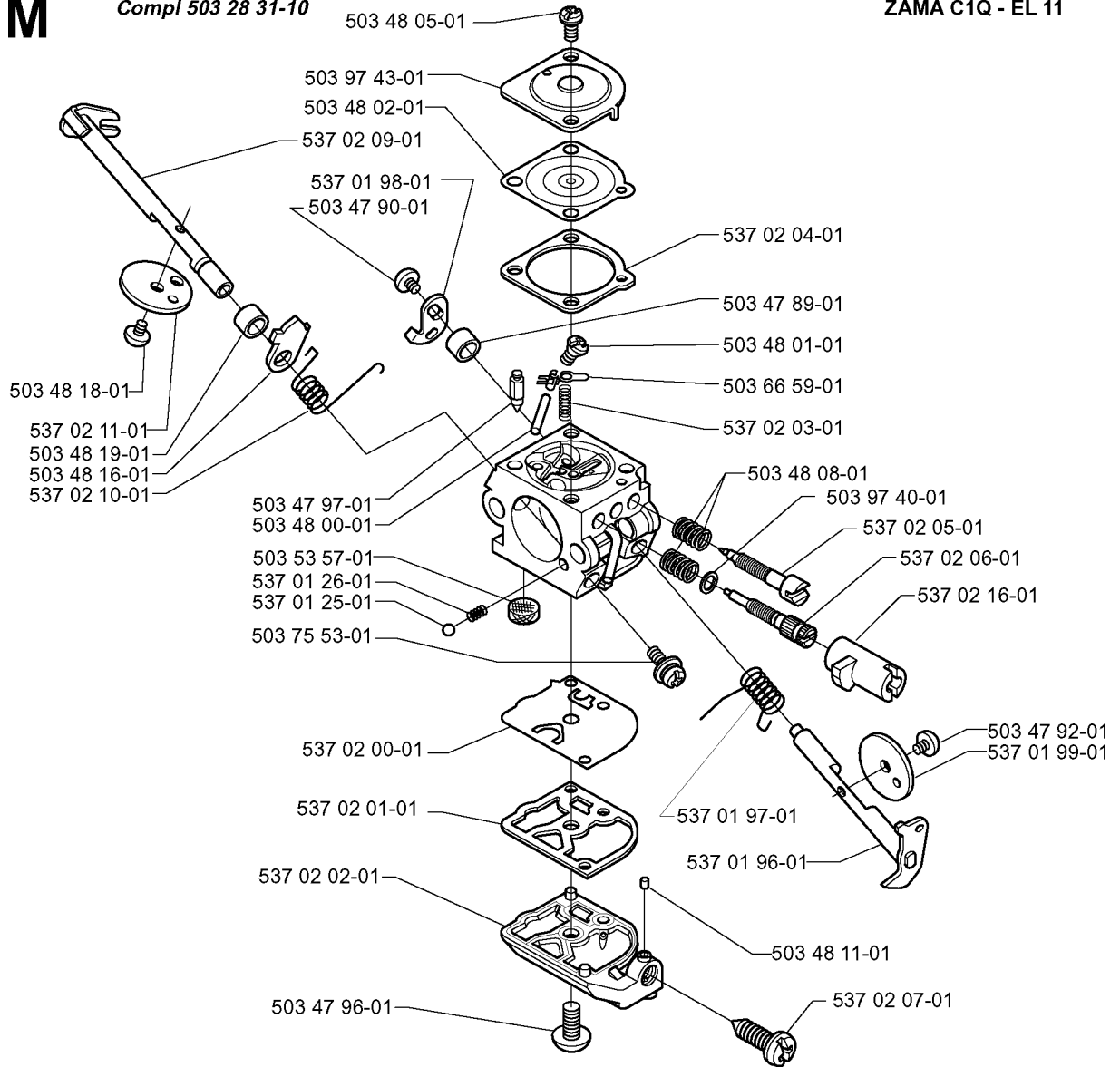
325 RJ X-SERIES, 20000100001-Current

Part No	Description	Remark	QTY KIT
503 71 22-01	BEARING		1
503 83 61-01	BEARING CAGE		1
503 83 61-01	BEARING CAGE		1
503 85 24-73	CRANKSHAFT ASSY		1
503 94 02-01	BEARING CAGE		1
503 94 02-01	BEARING CAGE		1
503 94 02-01	BEARING CAGE		1
503 94 05-01	CUP		1
738 21 01-10	BALL BEARING		1
738 21 01-10	BALL BEARING		1

**M**

Compl 503 28 31-10

ZAMA C1Q - EL 11



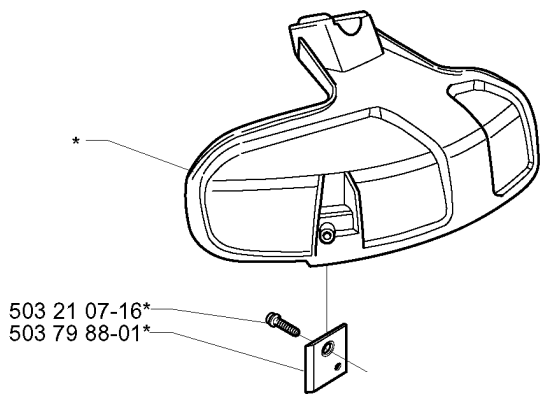
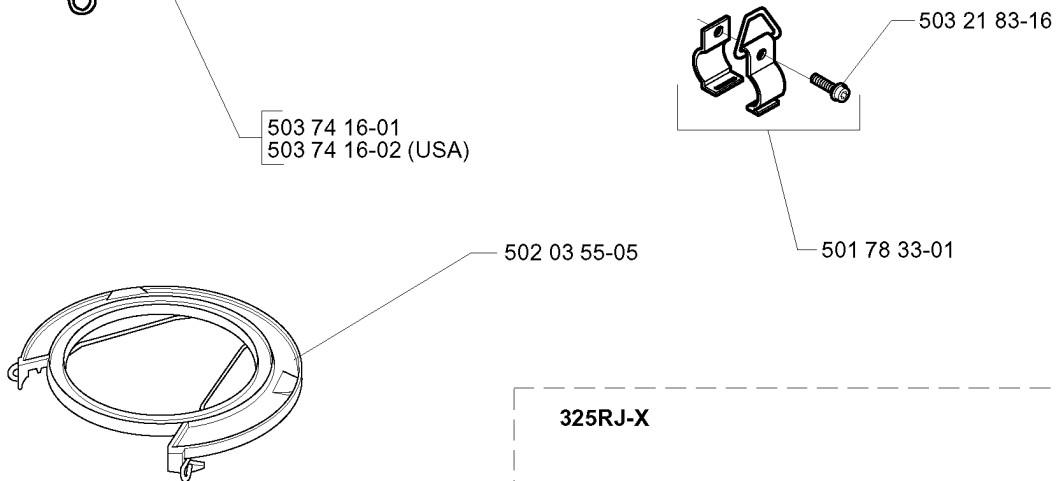
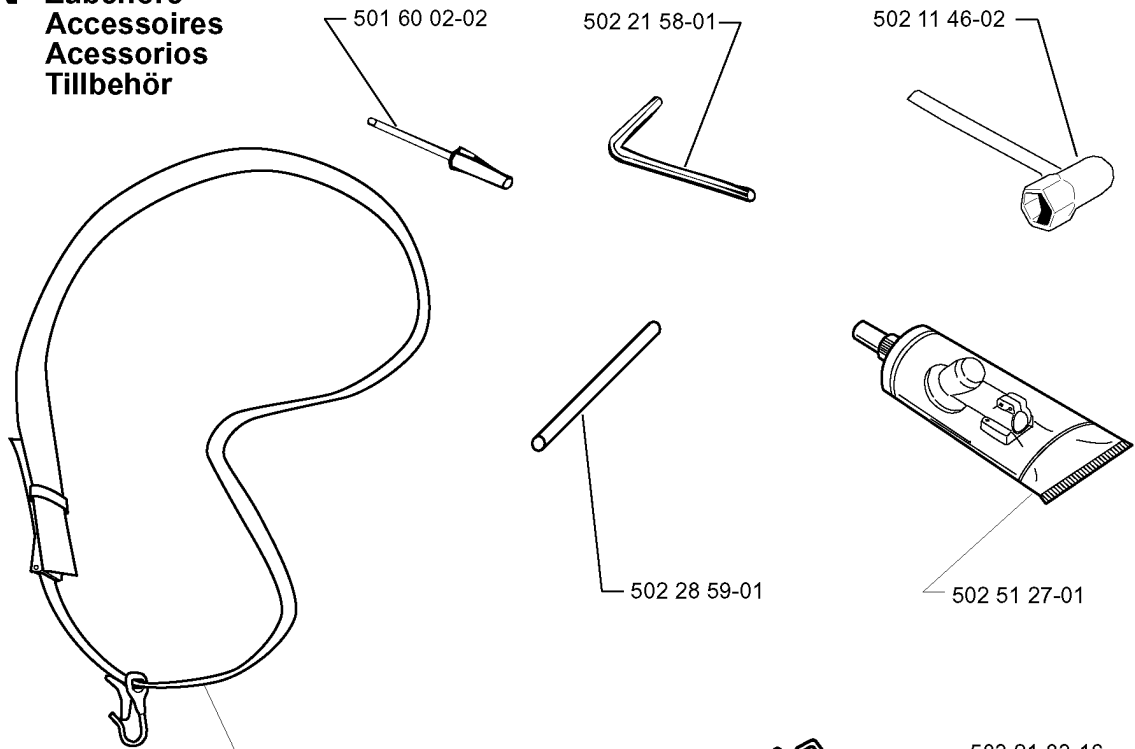


## CARBURETOR DETAILS

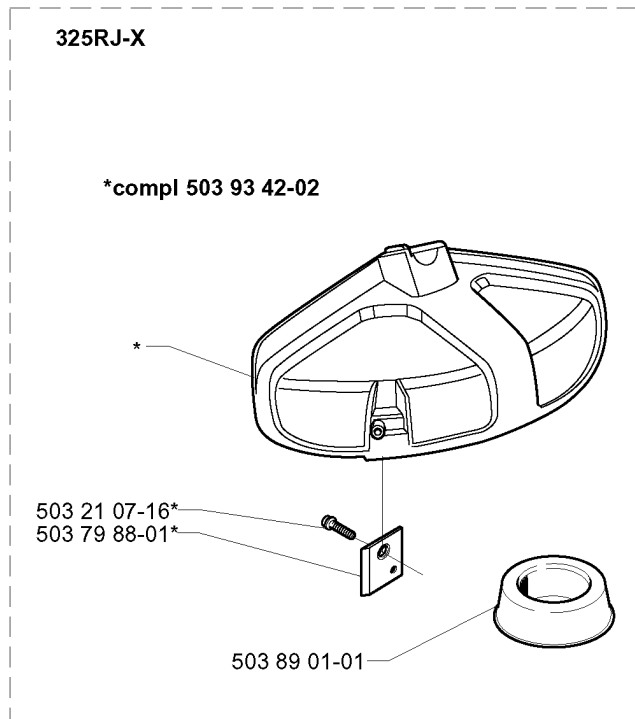
325 RJ X-SERIES, 20000100001-Current

Part No	Description	Remark	QTY KIT
503 28 31-10	CARBURETTOR		1
503 47 89-01	COLLAR		1
503 47 90-01	SCREW		1
503 47 92-01	SCREW		1
503 47 96-01	SCREW		1
503 47 97-01	VALVE		1
503 48 00-01	PIN RETAINING SCREW		1
503 48 01-01	SCREW		1
503 48 02-01	DIAPHRAGM		1
503 48 05-01	SCREW		1
503 48 08-01	SPRING		1
503 48 11-01	PIECE		1
503 48 16-01	LEVER		1
503 48 18-01	SCREW		1
503 48 19-01	COLLAR		1
503 53 57-01	STRAINER		1
503 66 59-01	LEVER		1
503 75 53-01	SCREW		1
503 97 40-01	WASHER		1
503 97 43-01	COVER		1
537 01 25-01	BALL		1
537 01 26-01	SPRING		1
537 01 96-01	SHAFT ASSY		1
537 01 97-01	SPRING		1
537 01 98-01	LEVER		1
537 01 99-01	VALVE		1
537 02 00-01	DIAPHRAGM PUMP		1
537 02 01-01	GASKET		1
537 02 02-01	COVER		1
537 02 03-01	SPRING		1
537 02 04-01	GASKET		1
537 02 05-01	SCREW		1
537 02 06-01	SCREW		1
537 02 07-01	SCREW		1
537 02 09-01	SHAFT ASSY		1
537 02 10-01	SPRING		1
537 02 11-01	VALVE		1
537 02 16-01	LIMITER CAP		1

**N** Accessories  
Zubehöre  
Accessoires  
Accesorios  
Tillbehör



\*compl 503 97 71-01



## ACCESSORIES

325 RJ X-SERIES, 20000100001-Current

Part No	Description	Remark	QTY KIT
501 60 02-02	SCREWDRIVER		1
501 78 33-01	SUSPENSION BAIL		1
502 03 55-05	TRANSPORT GUARD		1
502 11 46-02	SOCKET WRENCH		1
502 21 58-01	WRENCH		1
502 28 59-01	STOP		1
502 51 27-01	GREASE		1
503 21 07-16	SCREW IHSCT		1
503 21 07-16	SCREW IHSCT		1
503 21 83-16	SCREW		1
503 74 16-01	HARNESS ASSY		1
503 74 16-02	HARNESS ASSY	USA	1
503 79 88-01	BLADE		1
503 79 88-01	BLADE		1
503 89 01-01	SUPPORT CUP		1
503 93 42-02	COMBINATION GUARD		1
503 97 71-01	TRIMMER GUARD ASSY		1