



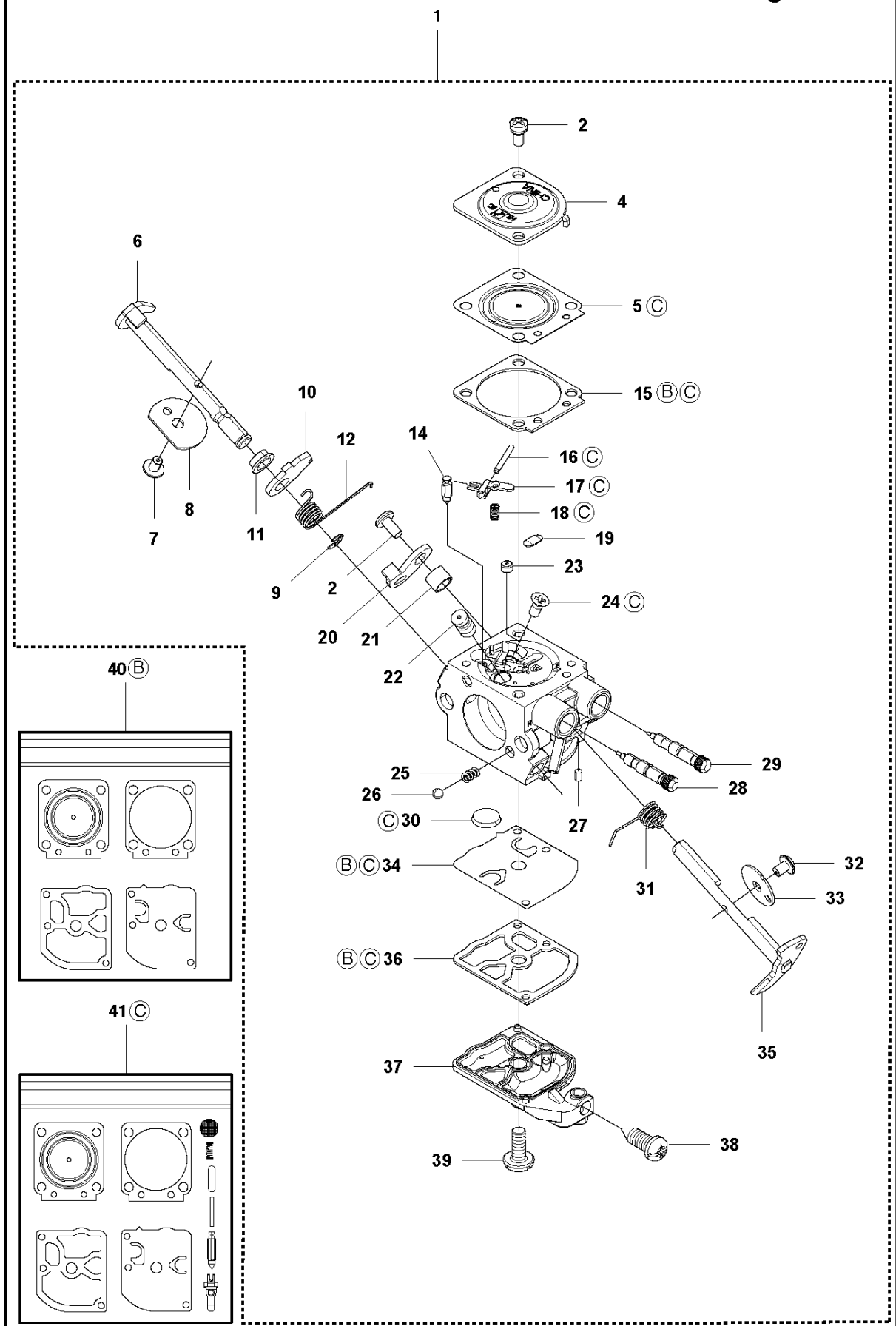
SPARE PARTS LIST

BRUSHCUTTERS/CLEARING SAWS

323 RII, 20120100001-Current

CARBURETOR (only option for US)

Hualong HQ-2

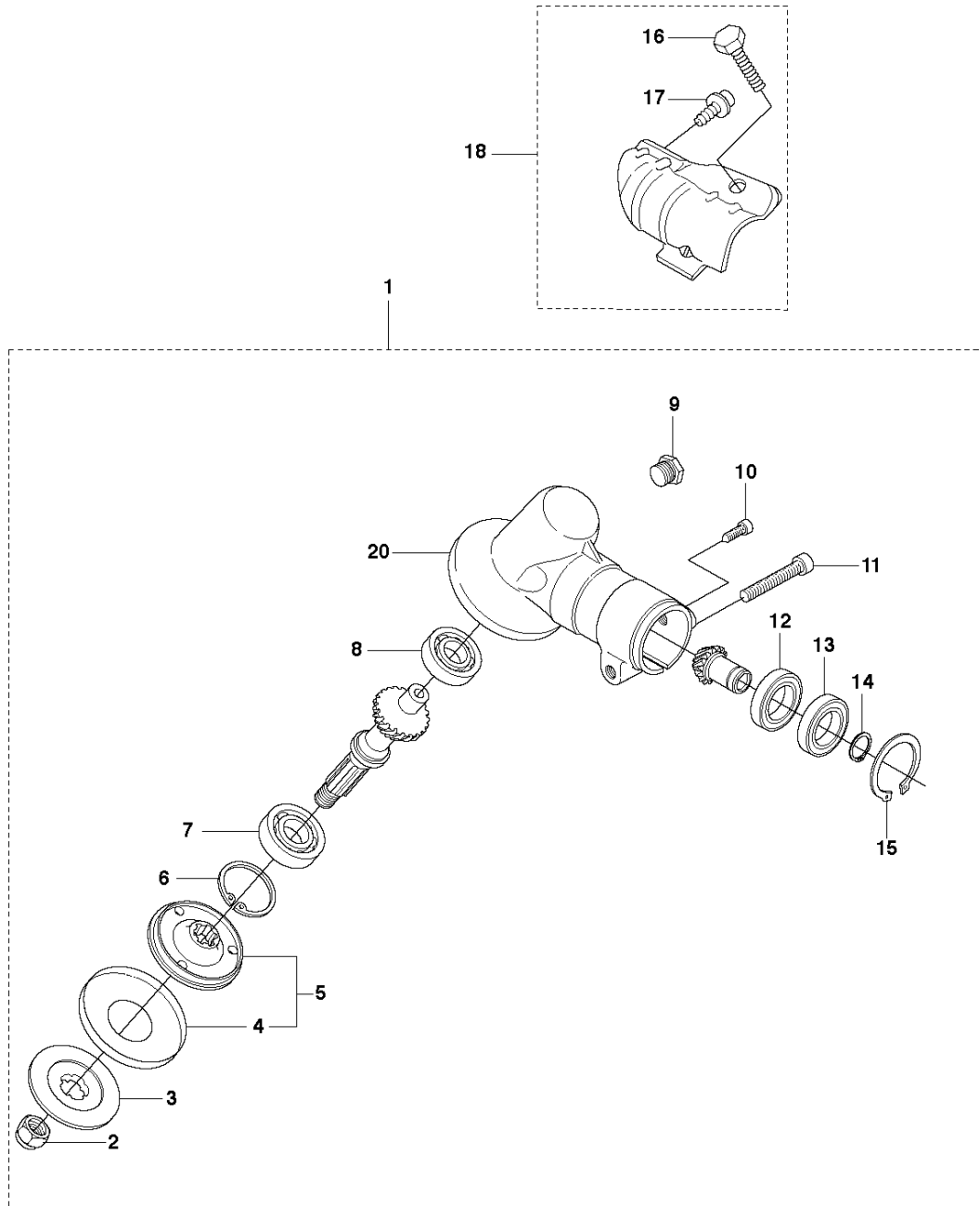


CARBURETOR

323 RII, 20120100001-Current

Ref	Part No	Description	Remark	QTY	KIT
1	576 01 98-01	CARBURETTOR	Hualong HQ-2, only option for US	1	
2	576 02 42-01	SCREW		2	1
4	576 02 36-01	COVER		1	1
5	576 02 24-01	DIAPHRAGM ASSY		1	1
6	576 02 30-01	SHAFT ASSY		1	1
7	576 02 41-01	SCREW		1	1
8	576 02 32-01	CHOKE		1	1
9	576 02 48-01	E-CLIP		1	1
10	576 02 31-01	LEVER		1	1
11	576 02 35-01	BUSHING		1	1
12	576 02 33-01	SPRING		1	1
14	576 02 01-01	VALVE		1	1
15	576 02 37-01	GASKET		1	1
16	576 02 03-01	PIN		1	1
17	576 02 04-01	LEVER		1	1
18	576 02 05-01	SPRING		1	1
19	576 02 06-01	PLUG		1	1
20	576 02 28-01	LEVER		1	1
21	576 02 29-01	BUSHING		1	1
22	576 02 07-01	MAIN NOZZLE		1	1
23	576 02 08-01	CHECK VALVE		1	1
24	576 02 43-01	SCREW		1	1
25	576 02 34-01	SPRING		1	1
26	576 02 47-01	BALL		1	1
27	576 02 23-01	BAR		1	1
28	576 02 10-01	NEEDLE		1	1
29	576 02 11-01	NEEDLE		1	1
30	576 02 15-01	SCREEN		1	1
31	576 02 27-01	SPRING		1	1
32	576 02 40-01	SCREW		1	1
33	576 02 26-01	THROTTLE		1	1
34	576 02 39-01	DIAPHRAGM PUMP		1	1
35	576 02 25-01	SHAFT ASSY		1	1
36	576 02 38-01	GASKET		1	1
37	576 02 20-01	COVER		1	1
38	576 02 22-01	SCREW		1	1
39	576 02 44-01	SCREW		1	1
40	581 74 35-01	GASKET KIT		1	1
41	581 74 37-01	REPAIR KIT		1	1

A 327LS, LX, LDX, RX, RDX, RJX, 323RII
BEVEL GEAR

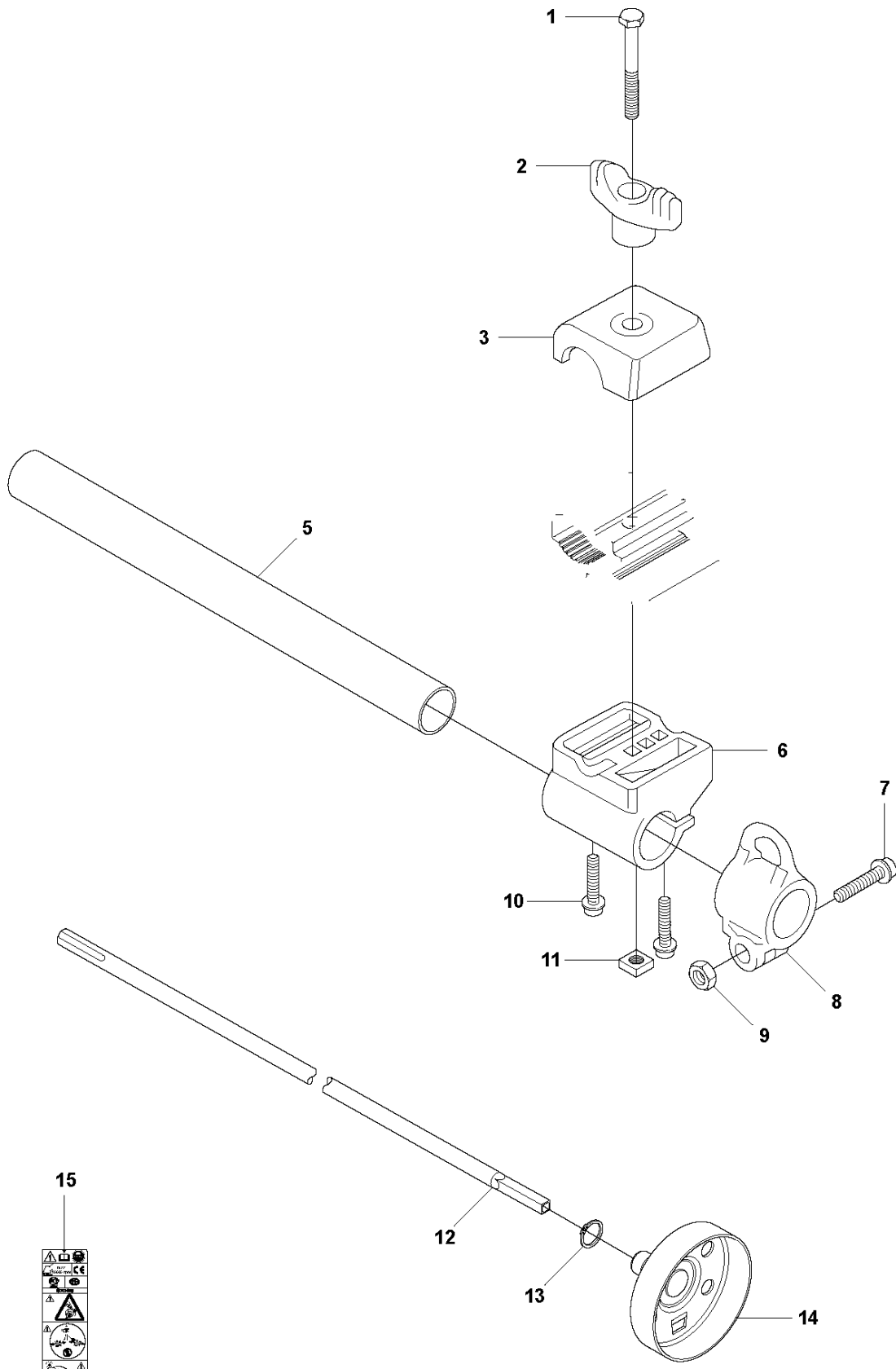


BEVEL GEAR

323 RII, 20120100001-Current

Ref	Part No	Description	Remark	QTY	KIT
1	537 19 92-02	BEVEL GEAR ASSY		1	
2	503 85 63-01	NUT		1	1
3	537 28 56-01	SUPPORT FLANGE		1	1
4	537 29 26-01	CUP		1	1
5	537 23 49-01	DRIVER ASSY		1	1
6	735 31 28-10	CIRCLIP		1	1
7	503 25 24-01	BALL BEARING		1	1
8	738 21 98-00	BALL BEARING		1	1
9	503 20 15-01	SCREW		1	1
10	503 20 14-12	SCREW IHSCFMO		1	1
11	503 20 07-25	SCREW IHSCFM		1	1
12	738 21 99-00	BALL BEARING		1	1
13	738 21 99-02	BALL BEARING		1	1
14	735 31 11-00	CIRCLIP		1	1
15	735 31 25-10	CIRCLIP		1	1
16	725 23 70-51	SCREW		1	18
17	503 20 07-12	SCREW IHSCFM		1	18
18	574 30 69-01	CLAMP	Captive screws	1	
20	537 33 37-01	GEAR HOUSING		1	

D 323RII
SHAFT



15

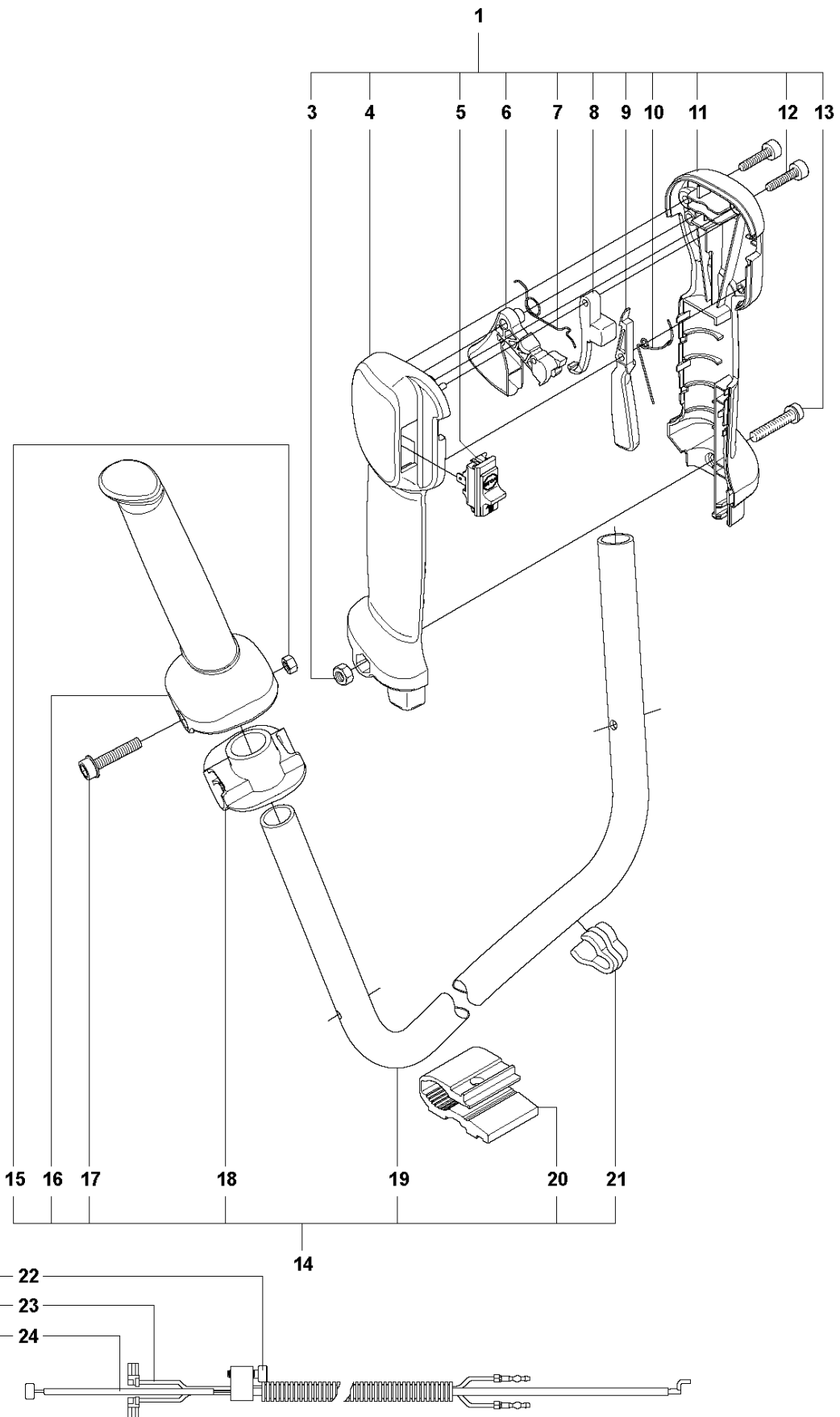
A vertical column of safety warning icons. From top to bottom, the icons include: a triangle with a flame (fire), a triangle with an explosion (explosion), a triangle with a lightning bolt (high voltage), a triangle with a skull and crossbones (toxic), a triangle with a hand and a flame (burn), a triangle with a hand and a lightning bolt (electric shock), a triangle with a hand and a gear (mechanical hazard), and a triangle with a hand and a wheel (rolling hazard).

SHAFT

323 RII, 20120100001-Current

Ref	Part No	Description	Remark	QTY KIT
1	725 23 86-51	SCREW EHHM		1
2	503 87 90-01	KNOB		1
3	503 72 29-01	COVER		1
5	503 88 88-01	TUBE		1
6	503 88 23-01	BRACKET		1
7	503 20 07-16	SCREW IHSCFM		1
8	503 94 10-01	HOOK		1
9	731 23 14-01	HEXAGON NUT		1
10	503 21 75-25	SCREW IHSCFT		2
11	502 19 71-01	SQUARE NUT		1
12	537 23 48-01	DRIVE SHAFT		1
13	735 31 12-00	CIRCLIP		1
14	537 23 75-01	CLUTCH DRUM ASSY		1
15	589 29 51-01	LABEL		1

F 323RII, 327Rx
THROTTLE CONTROLS & HANDLE BAR

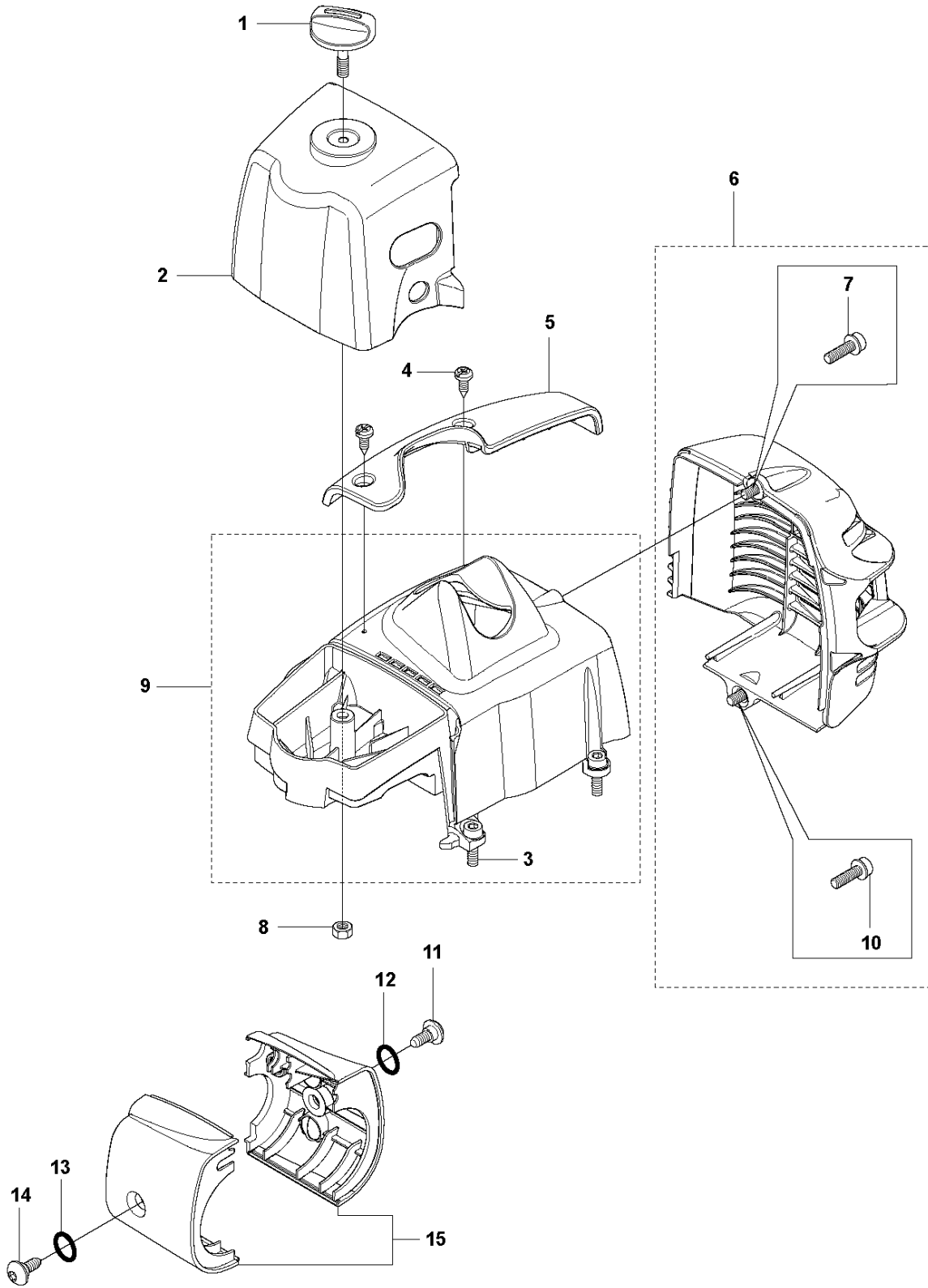


HANDLE & CONTROLS

323 RII, 20120100001-Current

Ref	Part No	Description	Remark	QTY KIT	
1	537 42 45-13	HANDLE ASSY		1	
2	502 65 41-01	THROTTLE CABLE		1	
3	503 22 10-13	HEXAGON NUT		1	1
4	537 16 02-03	HANDLE HALF	323 RII	1	1
5	537 41 90-01	SWITCH		1	1
6	506 49 77-01	THROTTLE CONTROL		1	9
7	537 17 42-01	SPRING THROTTLE TRIG		1	1
8	537 16 07-01	THROTTLE LOCKOUT		1	1
9	506 49 77-01	THROTTLE CONTROL		1	1,6
10	537 17 43-01	SPRING		1	1
11	537 16 03-01	HANDLE HALF	323 RII	1	1
12	503 21 66-18	SCREW IHSC T		2	1
13	503 20 07-35	SCREW IHSCFM		1	1
14	503 72 43-09	HANDLEBAR		1	
15	731 23 14-01	HEXAGON NUT		1	14
16	537 17 28-01	HANDLE		1	14
17	503 20 02-45	SCREW IHSCFM		1	14
18	537 17 29-01	COVER		1	14
19	502 19 95-03	HANDLEBAR	High (323 RII)	1	14
20	503 75 00-01	HANDLEBAR BRACKET		1	14
21	502 21 12-01	STAPLE		1	14
22	503 21 66-18	SCREW IHSC T		1	2
23	502 53 16-02	SHORT CIRCUIT CABLE		1	2
24	537 17 39-01	THROTTLE CABLE ASSY		1	2

H2 327Lx, LDx, Rx, RDx, RJx, COVERS

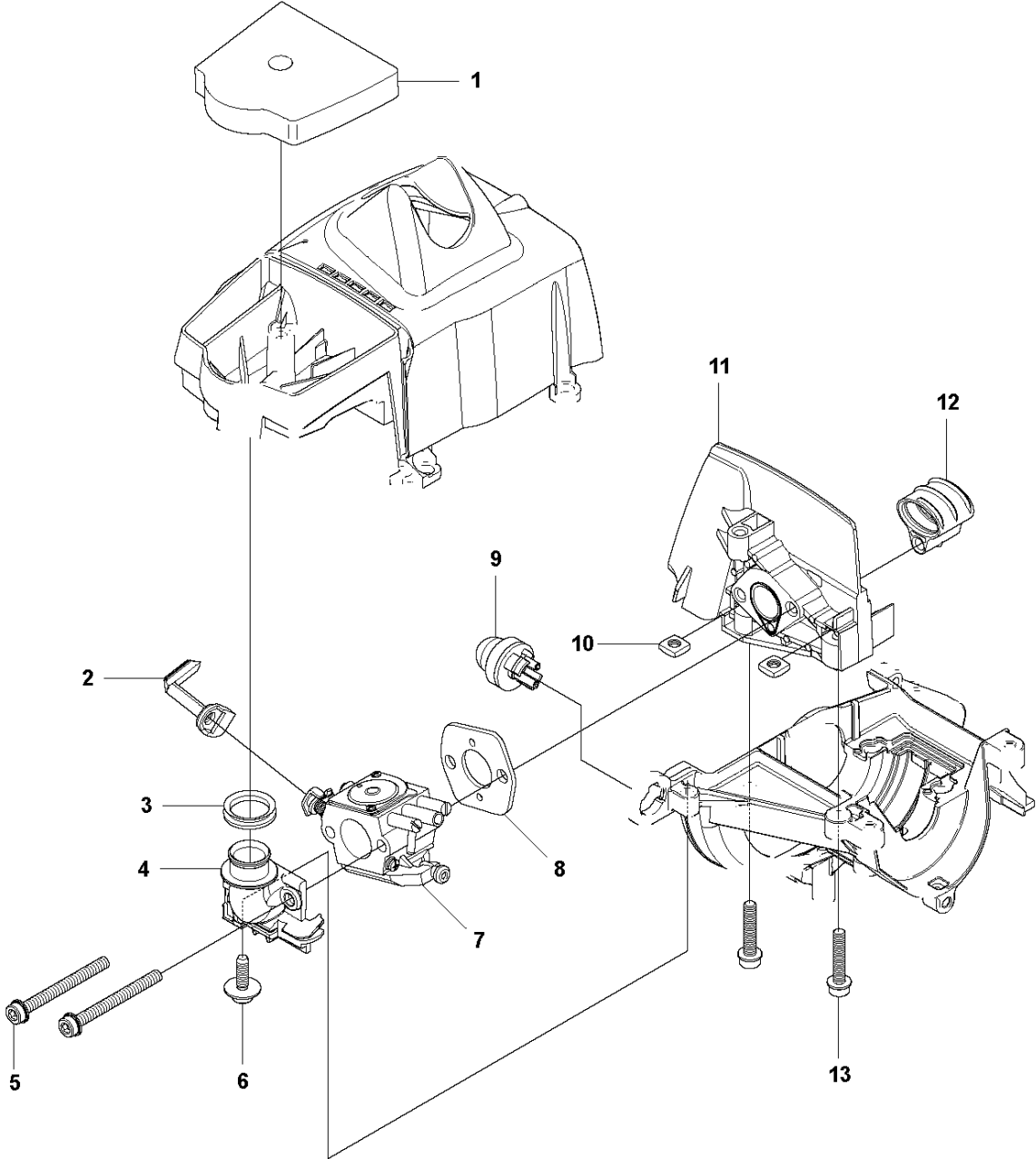


COVER

323 RII, 20120100001-Current

Ref	Part No	Description	Remark	QTY	KIT
1	537 21 32-10	KNOB		1	
2	502 48 13-01	FILTER COVER		1	
3	574 47 70-03	SCREW IHSCFMO	Captive screws	4	9
4	503 21 35-12	SCREW CCRPANT		2	
5	502 48 16-01	ARM PROTECTION		1	
6	544 84 81-02	HEAT PROTECTOR	Captive screws	1	
7	574 18 15-01	SCREW IHSCFTO	Captive screws	1	6
8	503 22 24-01	LOCK NUT		1	
9	574 35 39-01	CYLINDER COVER ASSY	Captive screws	1	
10	574 47 70-03	SCREW IHSCFMO	Captive screws	1	6
11	503 96 13-01	SCREW		1	
12	740 42 06-00	O-RING		1	
13	740 42 06-00	O-RING		1	
14	503 96 13-01	SCREW		1	
15	502 48 15-01	COVER		1	

J 327LX, LDX, RX, RDX, RJX, LX, 323RII
CARBURETOR & AIR FILTER

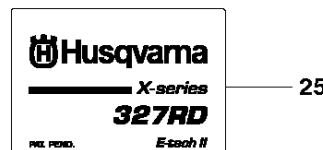
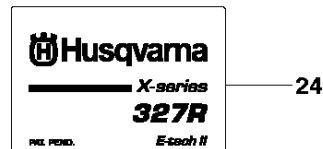
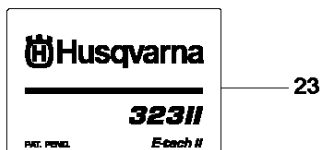
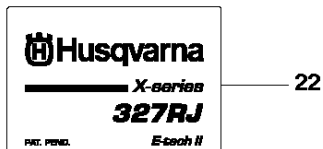
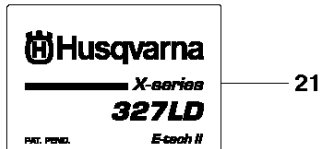
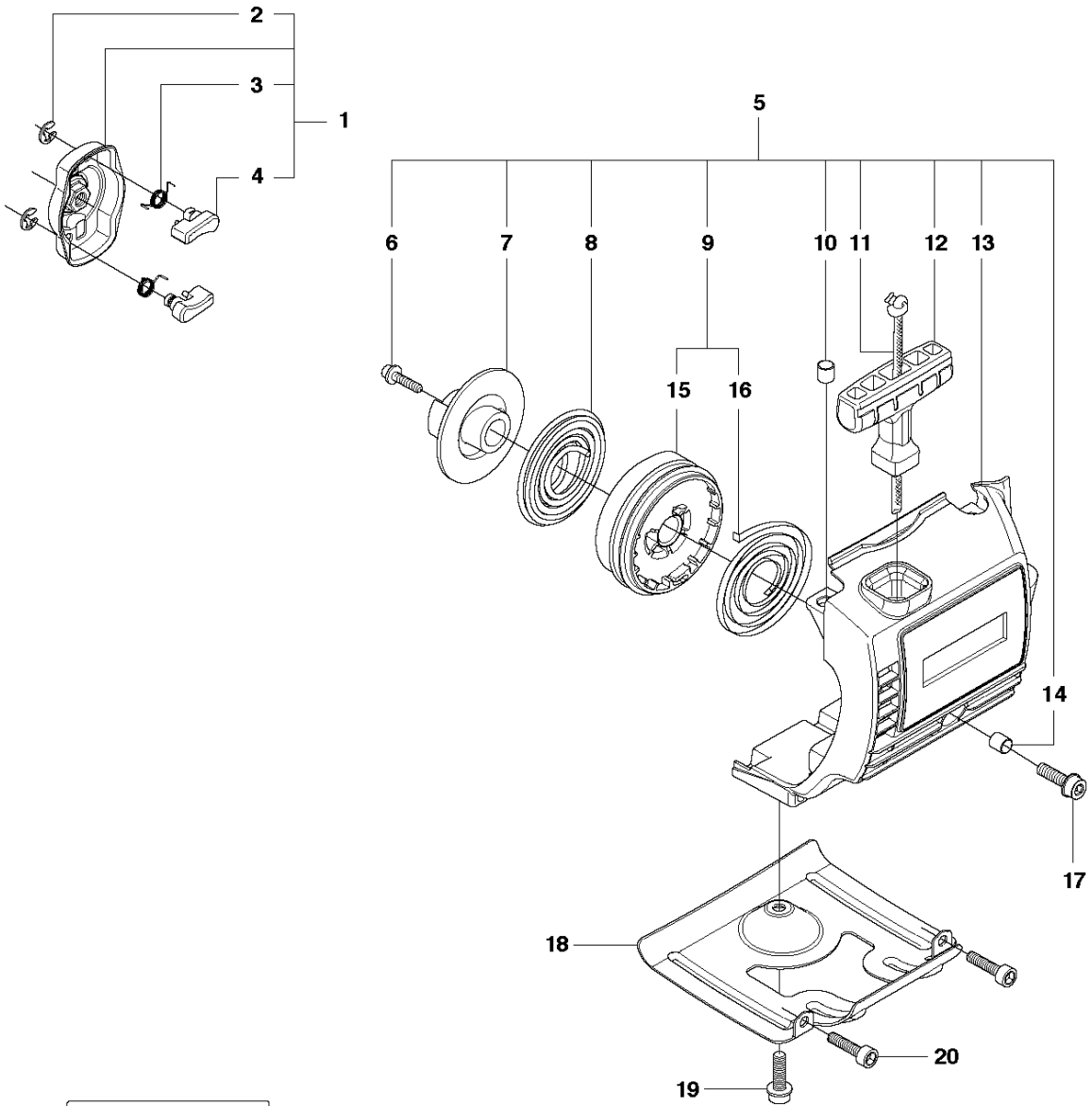


CARBURETOR & AIR FILTER

323 RII, 20120100001-Current

Ref	Part No	Description	Remark	QTY KIT
1	537 14 31-01	AIR FILTER ASSY		1
2	503 96 25-01	CHOKE CONTROL		1
3	740 68 11-21	V-RING		1
4	502 49 90-01	BRACKET		1
5	503 21 75-50	SCREW IHSCFT		2
6	503 21 77-16	SCREW IHSCFT		1
7	503 28 34-01	CARBURETTOR	Zama C1Q-EL24, NOT FOR US	1
7	576 01 98-01	CARBURETTOR	Hualong HQ-2, only option for US	1
8	503 49 71-01	GASKET		1
9	503 93 66-01	PURGE		1
10	503 22 65-04	SQUARE NUT		2
11	503 91 09-01	INSULATION WALL		1
12	503 94 26-01	INLET PIPE		1
13	503 20 03-25	SCREW IHSCFM		2
14	505 27 10-01	FILTER		1

K1 327LX, LDX, RX, RDX, RJX, 323RII
STARTER

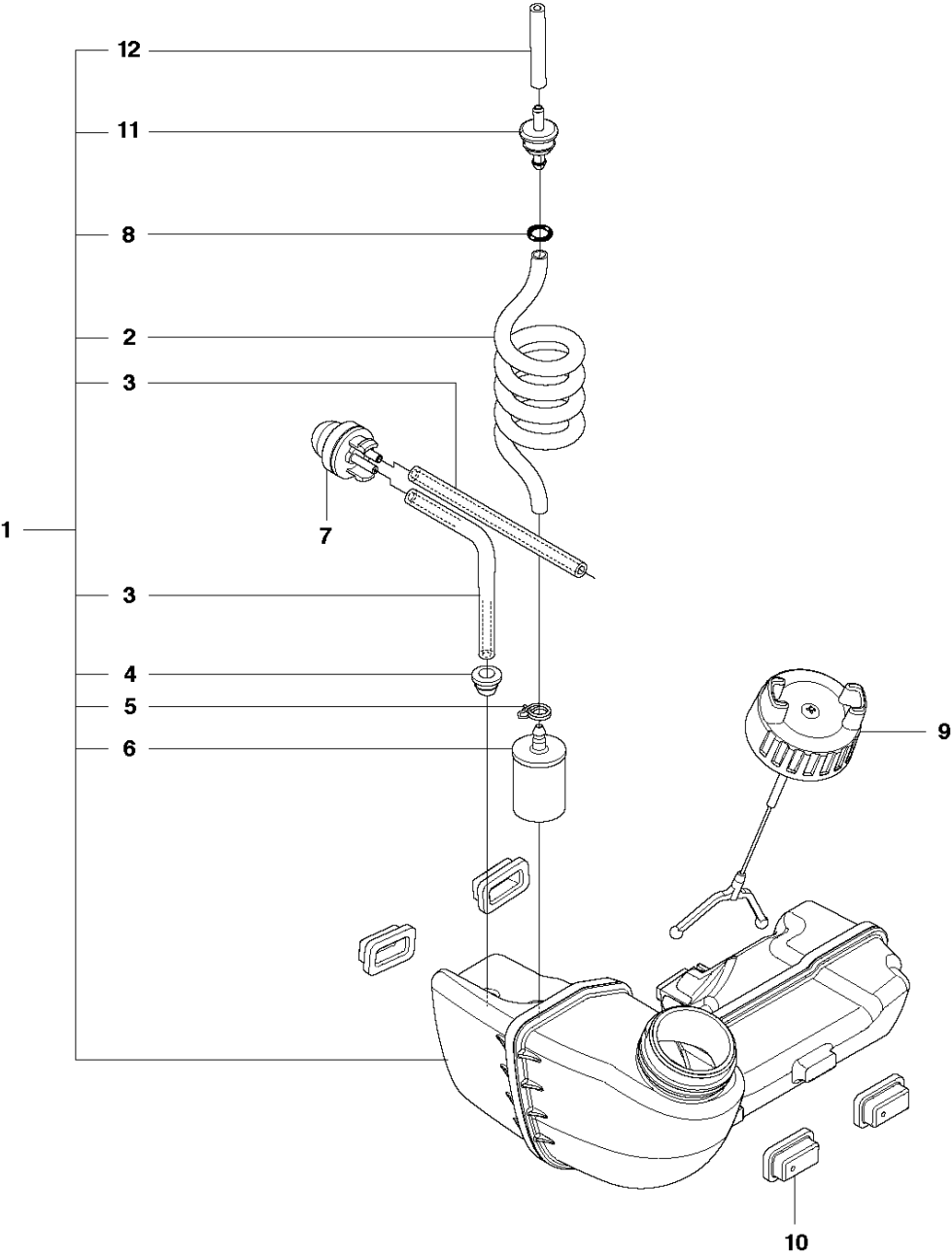


STARTER

323 RII, 20120100001-Current

Ref	Part No	Description	Remark	QTY	KIT
1	503 87 33-05	STARTER PAWL		1	
2	735 31 08-20	E-CLIP		2	1
3	503 87 36-01	SPRING		2	1
4	503 87 35-02	STARTER PAWL		2	1
5	544 07 11-02	STARTER ASSY		1	
6	503 21 77-25	SCREW IH SCT		1	5
7	544 03 87-02	DRIVER		1	5
8	544 03 88-02	SPRING		1	5
9	544 16 65-01	STARTER PULLEY ASSY		1	5
10	537 37 93-02	SPACING SLEEVE		2	5
11	503 85 89-01	STARTER ROPE		1	5
12	537 00 84-01	STARTER HANDLE		1	5
13	537 41 16-01	STARTER HOUSING		1	5
14	537 37 93-02	SPACING SLEEVE		1	5
15	544 03 86-01	STARTER PULLEY		1	5, 9
16	503 85 90-01	RECOIL SPRING		1	5, 9
17	503 20 03-16	SCREW IHSCFM	M5x16	1	
18	537 03 41-01	PROTECTIVE PLATE		1	
19	503 20 14-12	SCREW IHSCFMO	M5x12	1	
20	503 21 66-18	SCREW IH SCT		2	
21	537 35 34-56	LABEL	327LDx	1	
22	537 35 34-57	LABEL	327RJx	1	
23	537 35 34-58	LABEL	323RII	1	
24	537 35 34-59	LABEL	327Rx	1	
25	537 35 34-60	LABEL	327RDx	1	

L 327LS, LX, LDX, RX, RDX, RJX, 323RII
FUEL TANK

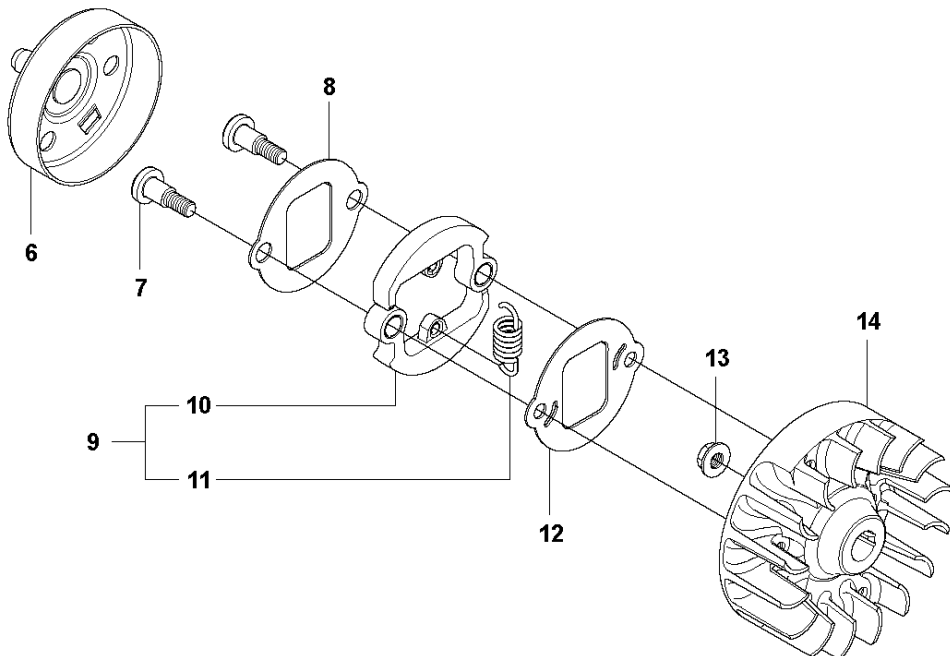
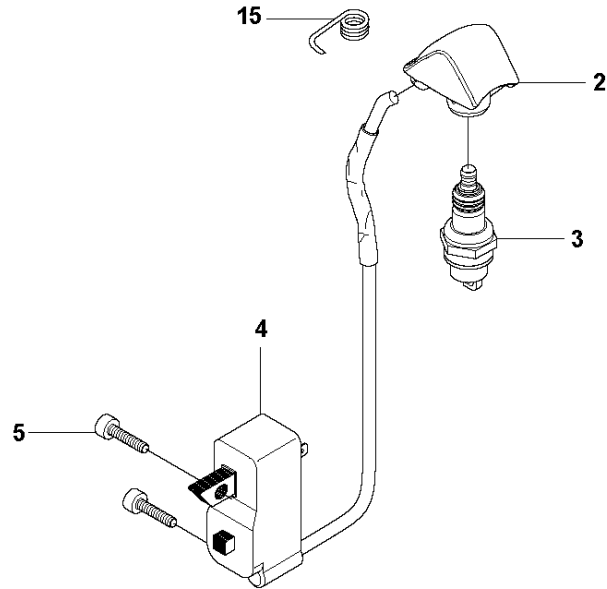
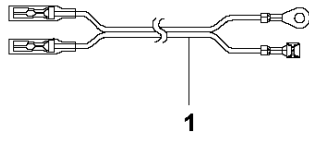


FUEL TANK

323 RII, 20120100001-Current

Ref	Part No	Description	Remark	QTY	KIT
1	584 25 80-01	FUEL TANK ASSY		1	
2	581 75 62-01	FUEL HOSE		1	1
3	537 04 24-01	FUEL HOSE		2	1
4	503 73 58-01	BUSHING		1	1
5	504 02 24-01	HOSE CLAMP		1	1
6	503 44 32-01	FUEL FILTER		1	1
7	503 93 66-01	PURGE		1	
8	537 18 49-01	O-RING		1	1
9	544 88 97-02	TANK CAP		1	
10	503 91 10-01	SUSPENSION		4	
11	578 29 56-01	HOSE NIPPLE		1	1
12	578 90 68-02	FUEL HOSE		1	

M 327LS, LX, LDX, RX, RDX, RJX, 323RII
IGNITION & CLUTCH

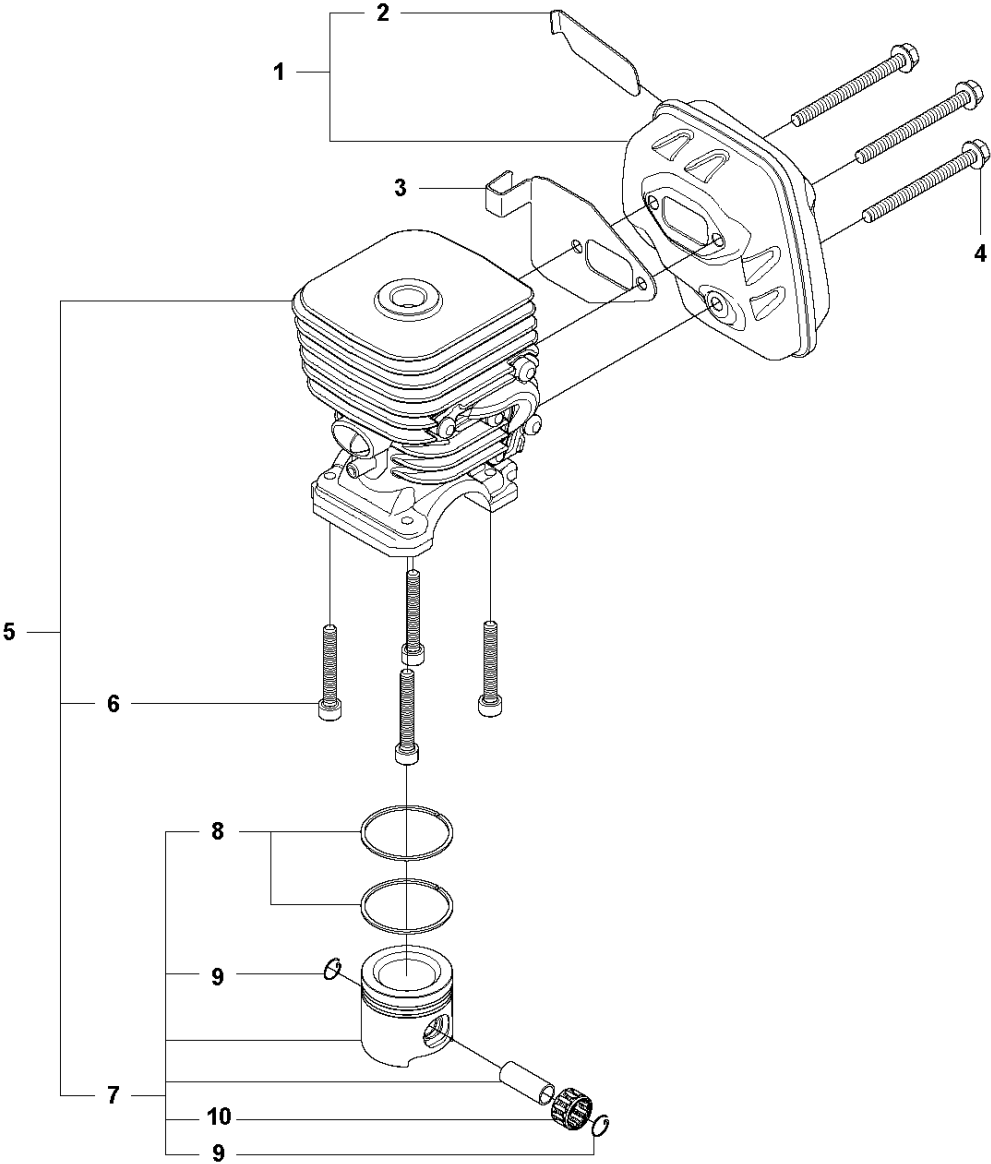


IGNITION SYSTEM & CLUTCH

323 RII, 20120100001-Current

Ref	Part No	Description	Remark	QTY	KIT
1	502 49 36-01	SHORT CIRCUIT CABLE		1	
2	537 43 43-01	SPARK PLUG CAP		1	
3	503 23 51-09	SPARK PLUG	Champion RCJ 6Y	1	
4	544 12 70-01	IGNITION MODULE		1	
5	503 21 66-18	SCREW IH SCT		2	
6	537 23 75-01	CLUTCH DRUM ASSY		1	
7	503 84 29-02	SCREW		2	
8	537 04 67-02	WASHER		1	
9	537 03 22-01	CLUTCH ASSY		1	
10	503 84 28-01	CLUTCH SHOE		2	9
11	503 81 60-01	CLUTCH SPRING		1	9
12	537 04 68-02	WASHER		1	
13	731 71 16-51	HEXAGON NUT FLANGE		1	
14	537 24 96-02	FLYWHEEL		1	
15	501 48 56-01	CONTACT SPRING		1	

N 327LS, LX, LDX, RX, RDX, RJX, 323RII
CYLINDER PISTON & MUFFLER

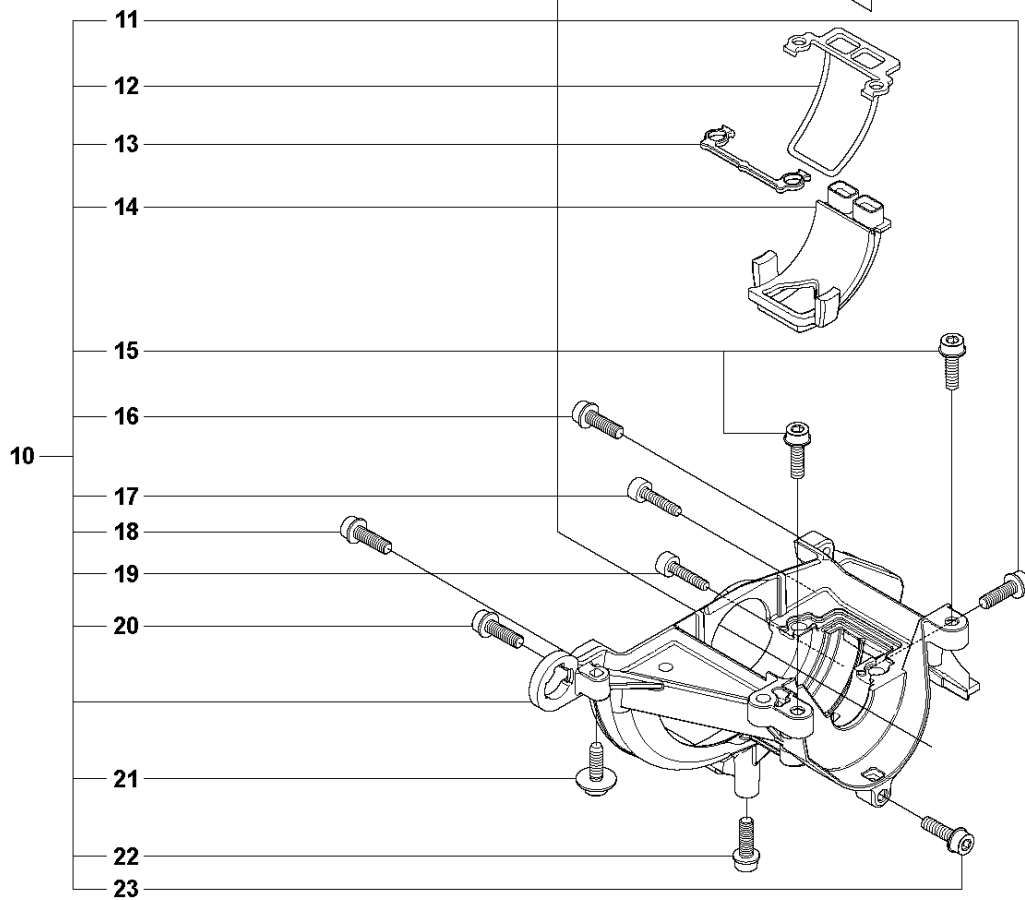
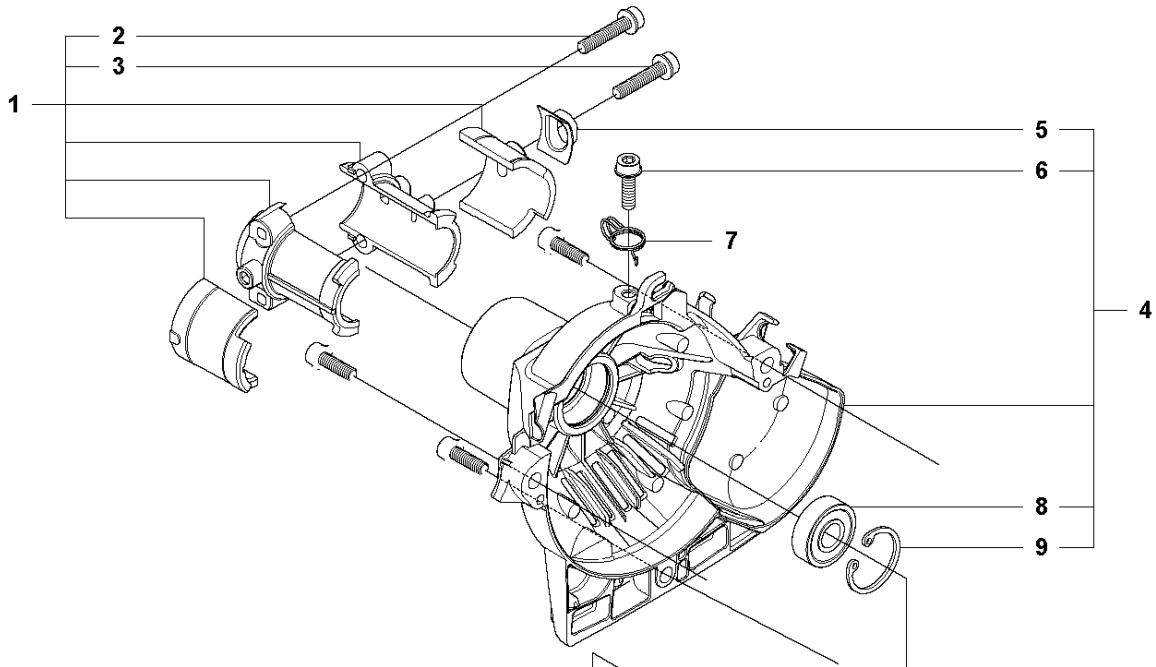


CYLINDER, PISTON & MUFFLER

323 RII, 20120100001-Current

Ref	Part No	Description	Remark	QTY KIT	
1	537 22 17-04	MUFFLER ASSY	Cat.	1	
2	537 22 18-01	SPARK ARRESTER SCREEN		1	1
3	537 01 41-01	GASKET		1	
4	502 07 81-01	SCREW EHHFM		3	
5	537 08 51-03	CYLINDER	Ø=34mm	1	
6	503 20 07-35	SCREW IHSCFM		4	5
7	537 40 59-02	PISTON		1	5
8	537 40 62-01	PISTON RING		1	7
9	737 44 08-00	CIRCLIP		1	7
10	503 71 22-01	BEARING		1	7

P 327LS, LX, LDX, RX, RDX, RJX, 323RII
CRANK CASE

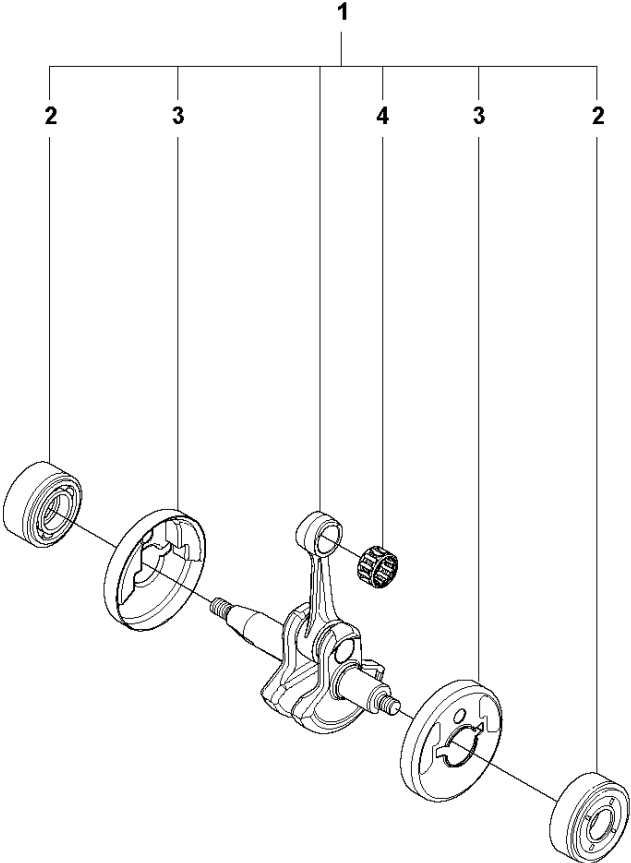


CRANKCASE

323 RII, 20120100001-Current

Ref	Part No	Description	Remark	QTY	KIT
1	537 30 96-01	SLEEVE		1	
2	503 21 68-25	SCREW IHSCFT		1	1
3	503 21 68-25	SCREW IHSCFT		1	1
4	537 04 12-09	CLUTCH COVER		1	
5	537 42 50-01	PROTECTIVE PLATE		1	4
6	503 20 03-16	SCREW IHSCFM	M5x16	1	4
7	537 07 36-01	SPRING		1	
8	503 25 05-01	BALL BEARING		1	4
9	537 33 67-01	CIRCLIP		1	4
10	537 08 52-03	CRANKCASE		1	
11	503 20 03-16	SCREW IHSCFM		1	10
12	537 06 69-01	GASKET		1	10
13	537 08 85-01	GASKET		1	10
14	537 06 68-01	INSERT CRANKCASE		1	10
15	503 20 03-16	SCREW IHSCFM		1	10
16	503 20 03-16	SCREW IHSCFM		1	10
17	503 21 66-18	SCREW IHSCFT		1	10
18	503 20 03-16	SCREW IHSCFM		1	10
19	503 21 66-18	SCREW IHSCFT		1	10
20	503 20 03-16	SCREW IHSCFM		1	10
21	503 21 77-16	SCREW IHSCFT		1	10
22	503 20 14-12	SCREW IHSCFMO	M5x12	1	10
23	503 20 03-16	SCREW IHSCFM		1	10

Q 327LS, LX, LDX, RX, RDX, RJX, 323RII
CRANK SHAFT



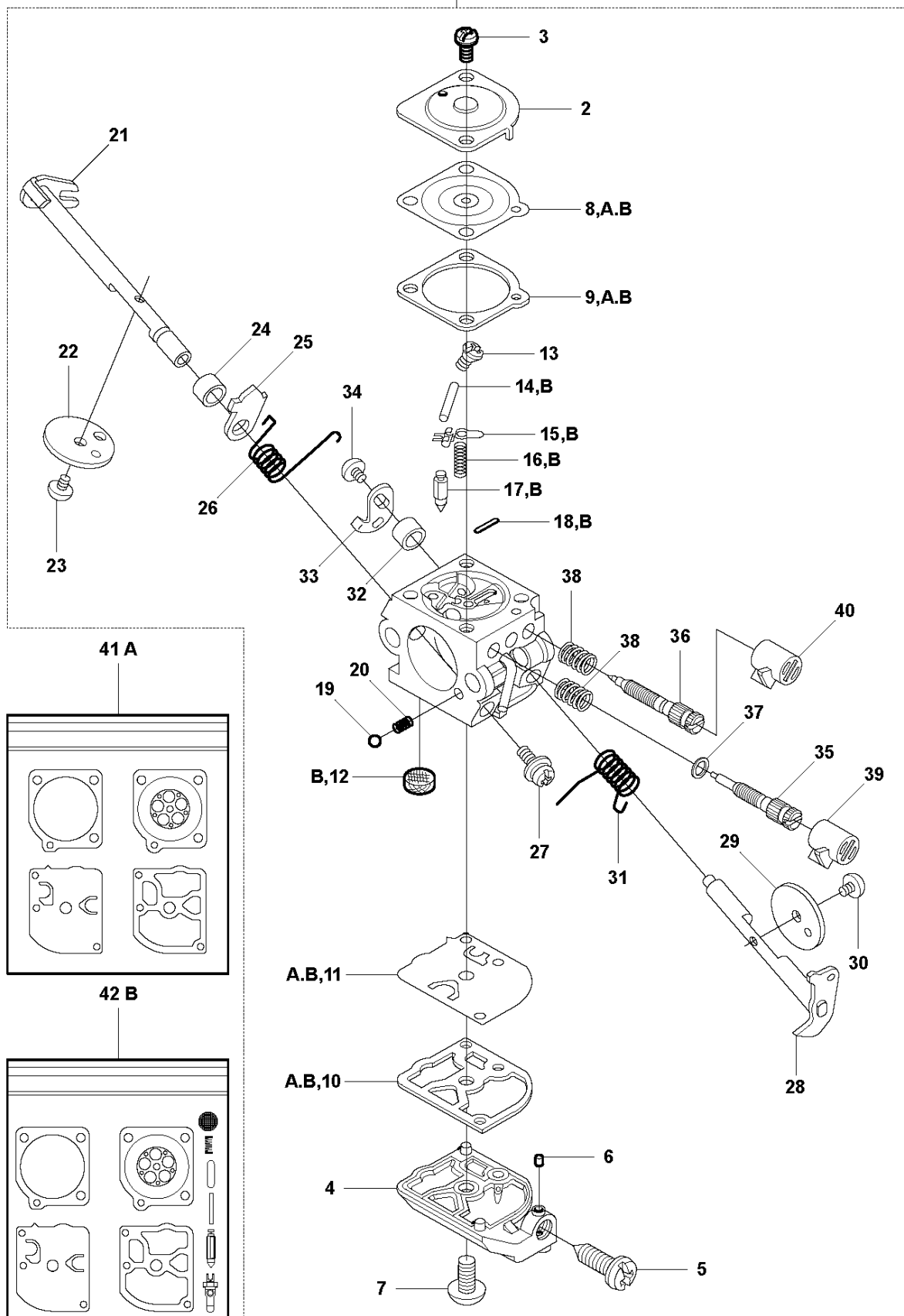
CRANKSHAFT

323 RII, 20120100001-Current

Ref	Part No	Description	Remark	QTY	KIT
1	503 85 24-74	CRANKSHAFT ASSY		1	
2	503 94 02-03	BEARING CAGE		2	1
3	503 94 05-01	CUP		2	1
4	503 71 22-01	BEARING		1	1

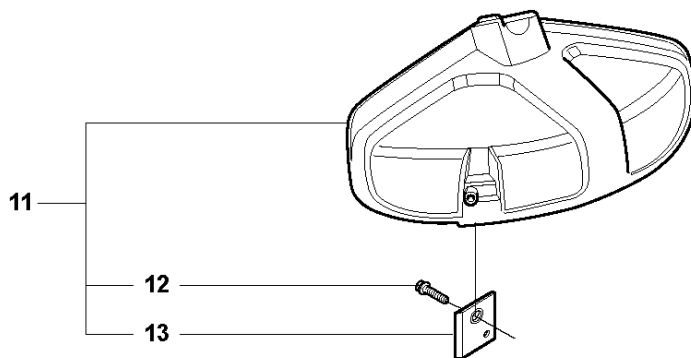
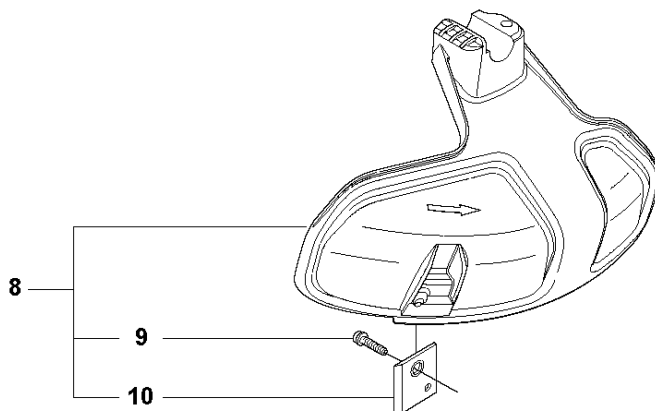
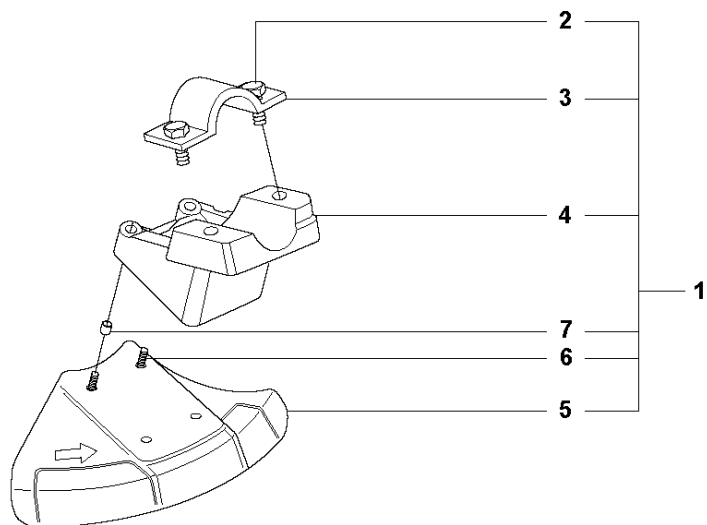
R 327LS, LX, LDX, RX, RDX, RJX, 323RII
CARBURETOR (not for US)

Zama C1Q-EL24



Ref	Part No	Description	Remark	QTY	KIT
1	503 28 34-01	CARBURETTOR	Zama C1Q-EL24, NOT FOR US	1	
2	503 97 43-01	COVER		1	1
3	503 48 05-01	SCREW		2	1
4	537 02 02-01	COVER		1	1
5	537 02 07-01	SCREW		1	1
6	503 48 11-01	PIECE		1	1
7	503 47 96-01	SCREW		1	1
8	537 04 89-01	DIAPHRAGM		1	1,A,B
9	537 02 04-01	GASKET		1	1,A,B
10	537 02 01-01	GASKET		1	1,A,B
11	537 02 00-01	DIAPHRAGM PUMP		1	1,A,B
12	503 53 57-01	STRAINER		1	1,B
13	503 48 01-01	SCREW		1	1
14	503 48 00-01	PIN RETAINING SCREW		1	1,B
15	503 66 59-01	LEVER		1	1,B
16	537 02 03-01	SPRING		1	1,B
17	503 47 97-01	VALVE		1	1,B
18	537 02 08-01	PLUG		1	1,B
19	537 01 25-01	BALL		1	1
20	537 01 26-01	SPRING		1	1
21	537 02 09-01	SHAFT ASSY		1	1
22	537 37 03-01	VALVE		1	1
23	503 48 18-01	SCREW		1	1
24	503 48 19-01	COLLAR		1	1
25	537 04 90-01	LEVER		1	1
26	537 02 10-01	SPRING		1	1
27	503 75 53-01	SCREW		1	1
28	537 01 96-01	SHAFT ASSY		1	1
29	537 01 99-01	VALVE		1	1
30	503 47 92-01	SCREW		1	1
31	537 01 97-01	SPRING		1	1
32	503 47 89-01	COLLAR		1	1
33	537 01 98-01	LEVER		1	1
34	503 47 90-01	SCREW		1	1
35	537 02 06-01	SCREW		1	1
36	537 12 78-01	SCREW		1	1
37	503 97 40-01	WASHER		1	1
38	503 48 08-01	SPRING		1	1
39	537 02 16-01	LIMITER CAP		1	1
40	537 02 16-01	LIMITER CAP		1	1
41,A	531 00 45-52	GASKET KIT		1	
42,B	531 00 45-53	GASKET KIT		1	

S 327LS, LX, LDX, RX, RDX, RJX, 323RII
ACCESSORIES

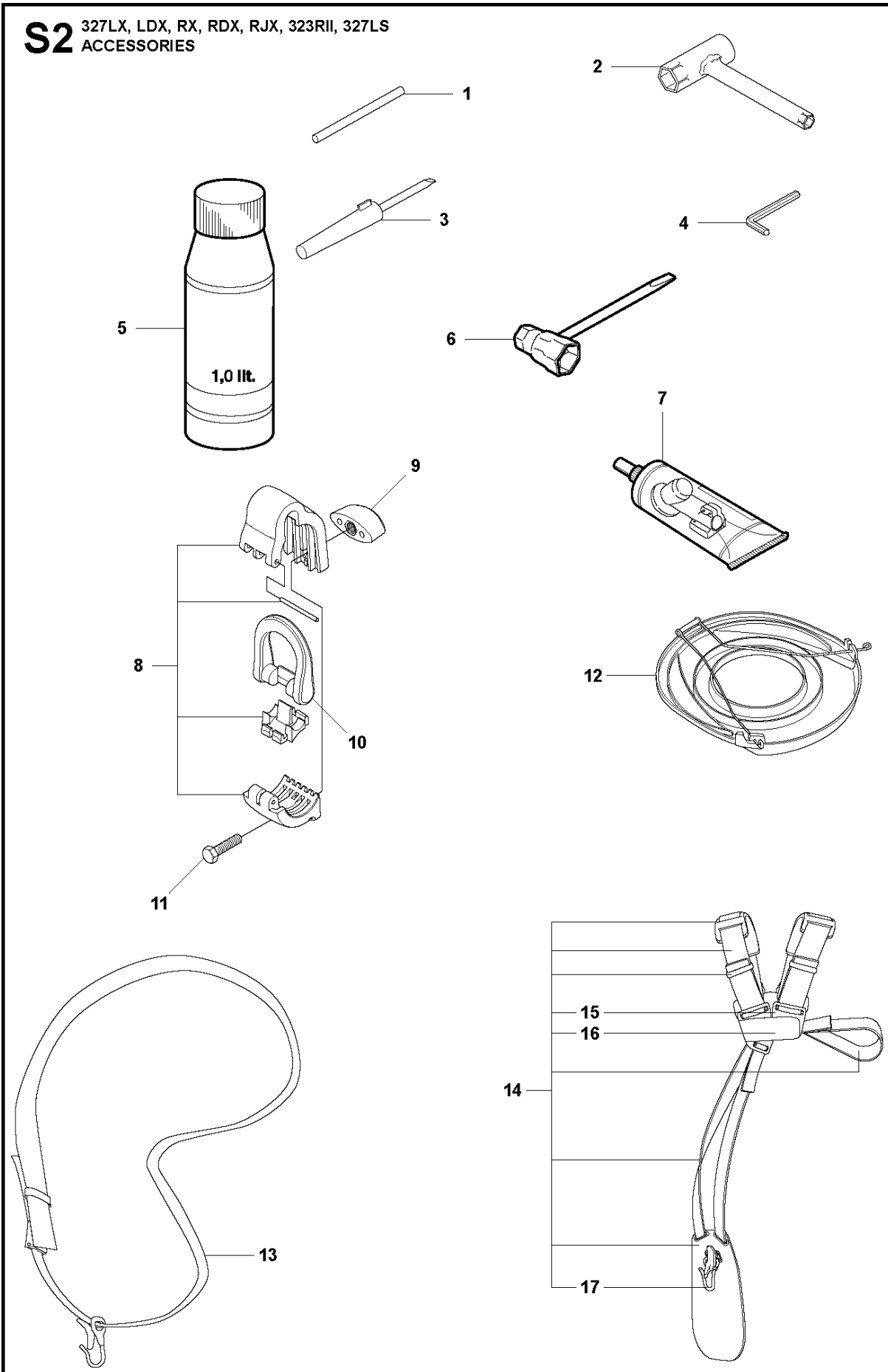


ACCESSORIES

323 RII, 20120100001-Current

Ref	Part No	Description	Remark	QTY	KIT
1	544 04 42-10	ACCESSORY BAG	Captive screws 323RII, 327Rx	1	
2	573 99 43-04	SCREW IHSCFMO	Captive screws	2	1
3	574 56 80-01	CLAMP	Captive screws	1	1
4	537 29 34-01	ADAPTER		1	1
5	574 56 49-02	BLADE GUARD	Captive screws	1	1
6	503 20 03-16	SCREW IHSCFM	Captive screws	4	1
7	574 03 95-01	LOCK NUT	Captive screws	4	1
8	503 97 71-01	TRIMMER GUARD ASSY	327Lx, 327LDx	1	
9	503 21 07-16	SCREW IH SCT		1	8
10	503 79 88-01	BLADE		1	8
11	503 93 42-02	COMBINATION GUARD	323RII, 327Rx	1	
12	503 21 07-16	SCREW IH SCT		1	11
13	503 79 88-01	BLADE		1	11

S2 327LX, LDX, RX, RDX, RJX, 323RII, 327LS
ACCESSORIES

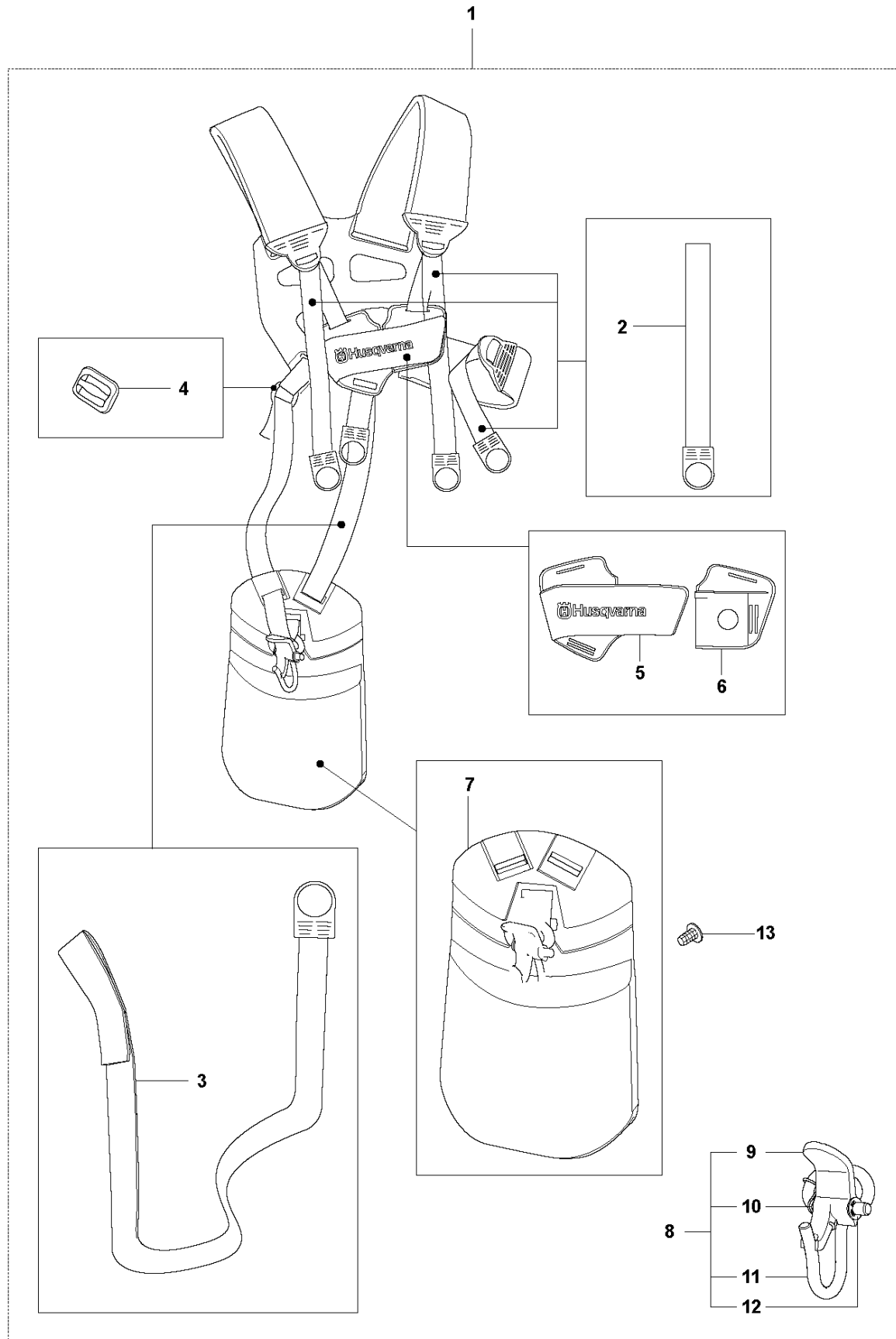


ACCESSORIES

323 RII, 20120100001-Current

Ref	Part No	Description	Remark	QTY	KIT
1	502 28 59-01	STOP		1	
2	502 11 46-02	SOCKET WRENCH		1	
3	501 60 02-03	SCREWDRIVER		1	
4	502 21 58-01	WRENCH		1	
5	531 00 92-48	FILTER OIL		1	
6	501 69 17-01	COMBINATION WRENCH		1	
7	503 97 64-01	GREASE		1	
8	537 35 36-01	LOOP		1	
9	537 13 04-02	KNOB		1	
10	537 35 01-01	LOOP		1	
11	725 23 31-51	SCREW		1	
12	537 31 29-01	TRANSPORT GUARD	200-275 mm	1	
13	537 21 62-01	HARNESS		1	
13	537 21 62-02	HARNESS	USA	1	
14	537 21 63-01	HARNESS		1	
14	537 21 63-02	HARNESS	USA	1	
15	503 73 40-01	FRONT PIECE		1	14
16	503 73 41-02	BUCKLE		1	14
17	502 02 28-02	WELT HOOK		1	14

T Duo Balance
HARNESS



HARNESSES

323 RII, 20120100001-Current

Ref	Part No	Description	Remark	QTY	KIT
1	537 27 57-01	HARNESSES		1	
1	537 27 57-03	HARNESSES	US	1	1
2	503 99 61-01	BAND		3	1
3	503 99 61-03	BAND		1	1
4	537 11 35-01	RETAINER		1	1
5	537 28 84-01	BUCKLE		1	1
6	537 28 83-01	BUCKLE		1	1
7	537 27 59-01	HIP PAD		1	1
8	502 02 28-01	HOOK		1	1
9	502 02 30-02	LOCK		1	1,8
10	586 34 10-01	SPRING		1	1,8
11	502 02 29-02	HOOK		1	1,8
12	735 31 09-20	E-CLIP		1	1,8
13	537 17 54-01	HIP PAD		3	1