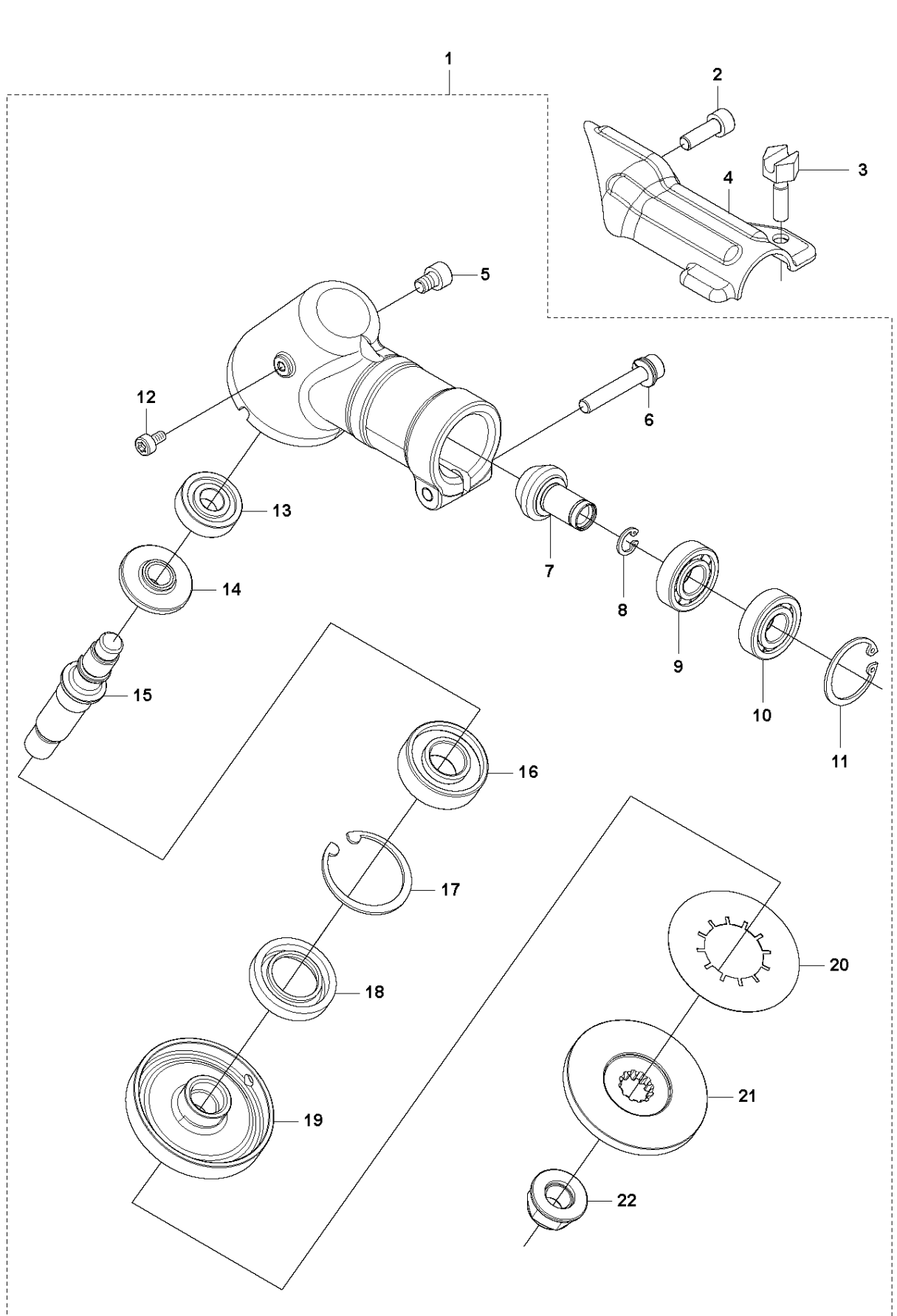




SPARE PARTS LIST

BRUSHCUTTERS/CLEARING SAWS

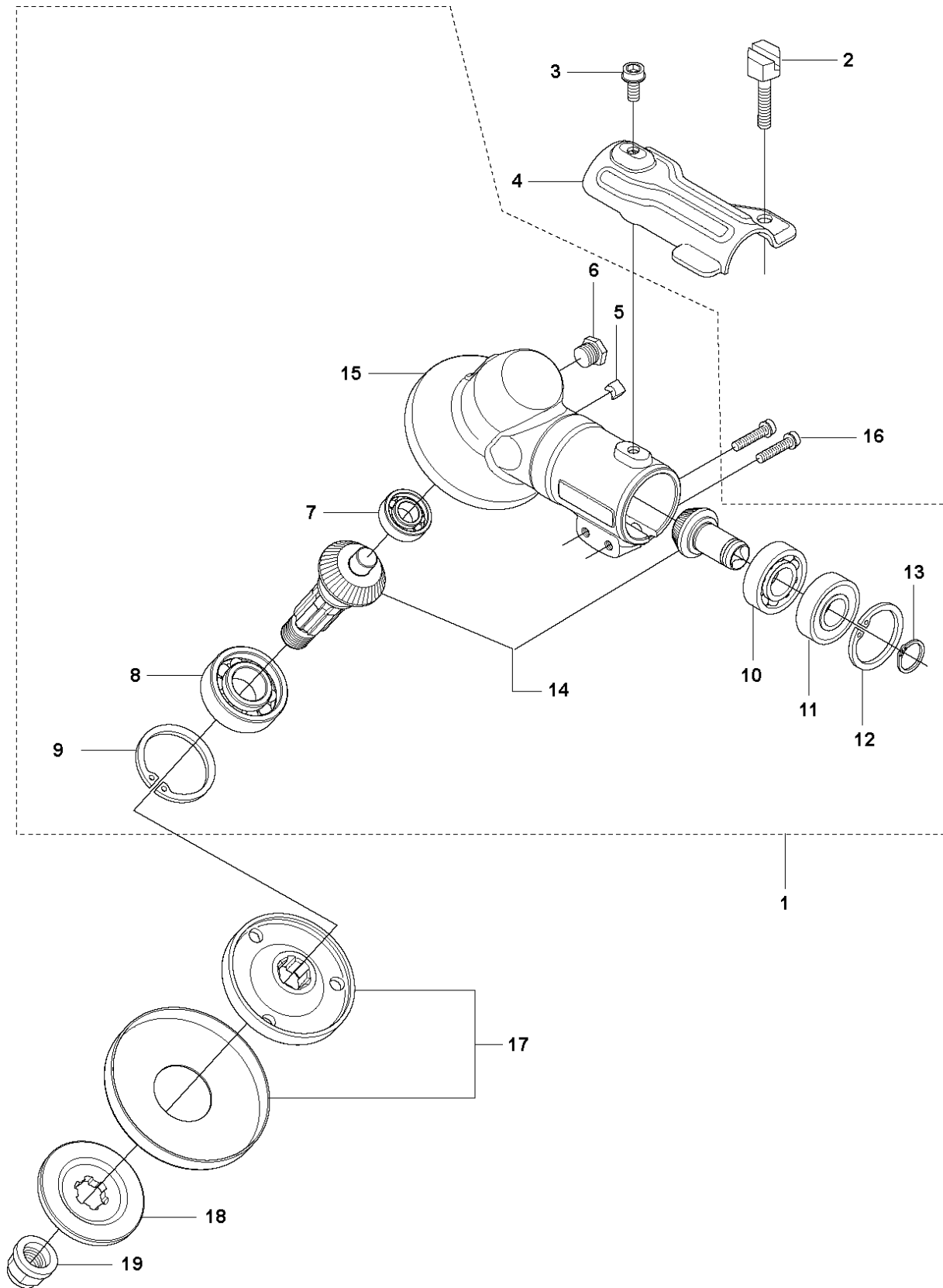
241 R, 20144900001-Current



BEVEL GEAR

241 R, 20144900001-Current

Ref	Part No	Description	Remark	QTY	KIT
1	525 34 86-01	BEVEL GEAR ASSY	South America Incl. Pos. 5-22	1	
2	521 74 65-01	BOLT		1	
3	537 18 95-01	SCREW		1	
4	528 81 85-01	BRACKET		1	
5	521 86 20-01	BOLT		1	1
6	521 86 24-01	BOLT		1	1
7	525 34 89-01	PINION		1	1
8	516 12 41-01	SNAP RING		1	1
9	516 12 79-01	BEARING		1	1
10	516 13 00-01	BEARING		1	1
11	506 60 99-01	SNAP RING		1	1
12	521 86 08-01	BOLT		1	1
13	516 12 78-01	BALL BEARING		1	1
14	525 34 88-01	GEAR		2	1
15	525 34 87-01	SHAFT		1	1
16	516 13 17-01	BEARING		1	1
17	505 29 40-01	RING		1	1
18	521 52 22-01	SEAL		1	1
19	525 34 90-01	HOLDER		1	1
20	521 65 60-01	PLATE		1	1
21	521 66 22-01	HOLDER		1	1
22	502 29 11-01	BLADE NUT		1	1

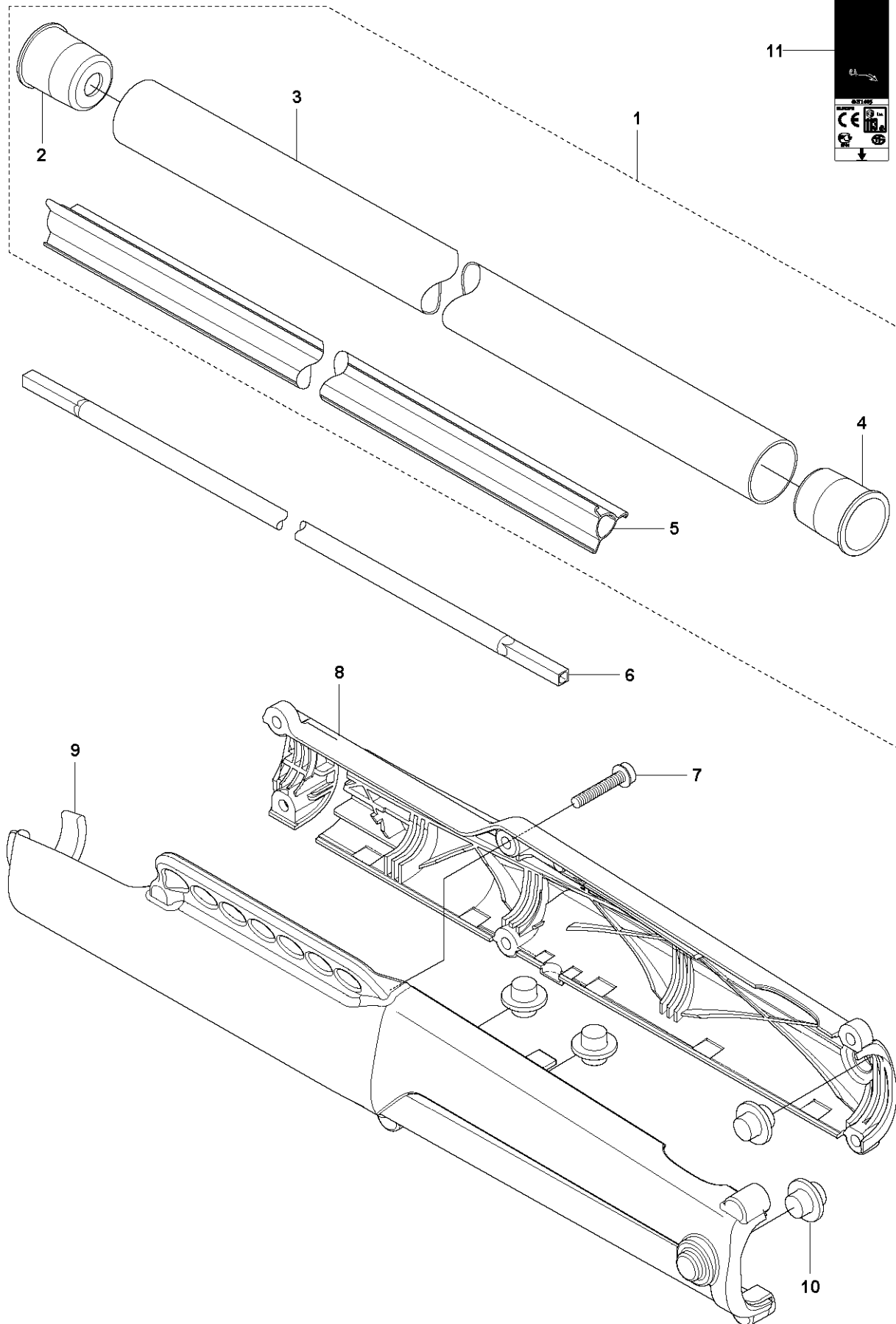


BEVEL GEAR

241 R, 20144900001-Current

Ref	Part No	Description	Remark	QTY	KIT
1	537 29 58-03	BEVEL GEAR	Incl. Pos. 5-15	1	
2	537 18 95-01	SCREW		1	
3	503 20 02-10	SCREW IHSCFM		1	
4	544 08 76-01	CLAMP		1	
5	537 14 74-01	MAGNET		1	1
6	503 20 15-01	SCREW		1	1
7	738 21 99-00	BALL BEARING		1	1
8	503 25 28-01	BALL BEARING		1	1
9	735 31 31-10	CIRCLIP		1	1
10	738 21 01-10	BALL BEARING		1	1
11	738 21 01-12	BALL BEARING		1	1
12	735 31 28-10	CIRCLIP		1	1
13	735 31 14-00	CIRCLIP		1	1
14	505 13 33-01	SPARE PARTS KIT		1	1
15	537 29 59-02	GEAR HOUSING		1	1
16	503 20 03-25	SCREW IHSCFM		2	
17	537 35 14-02	DRIVER	Kit	1	
18	537 34 35-01	SUPPORT FLANGE		1	
19	503 22 73-01	NUT		1	

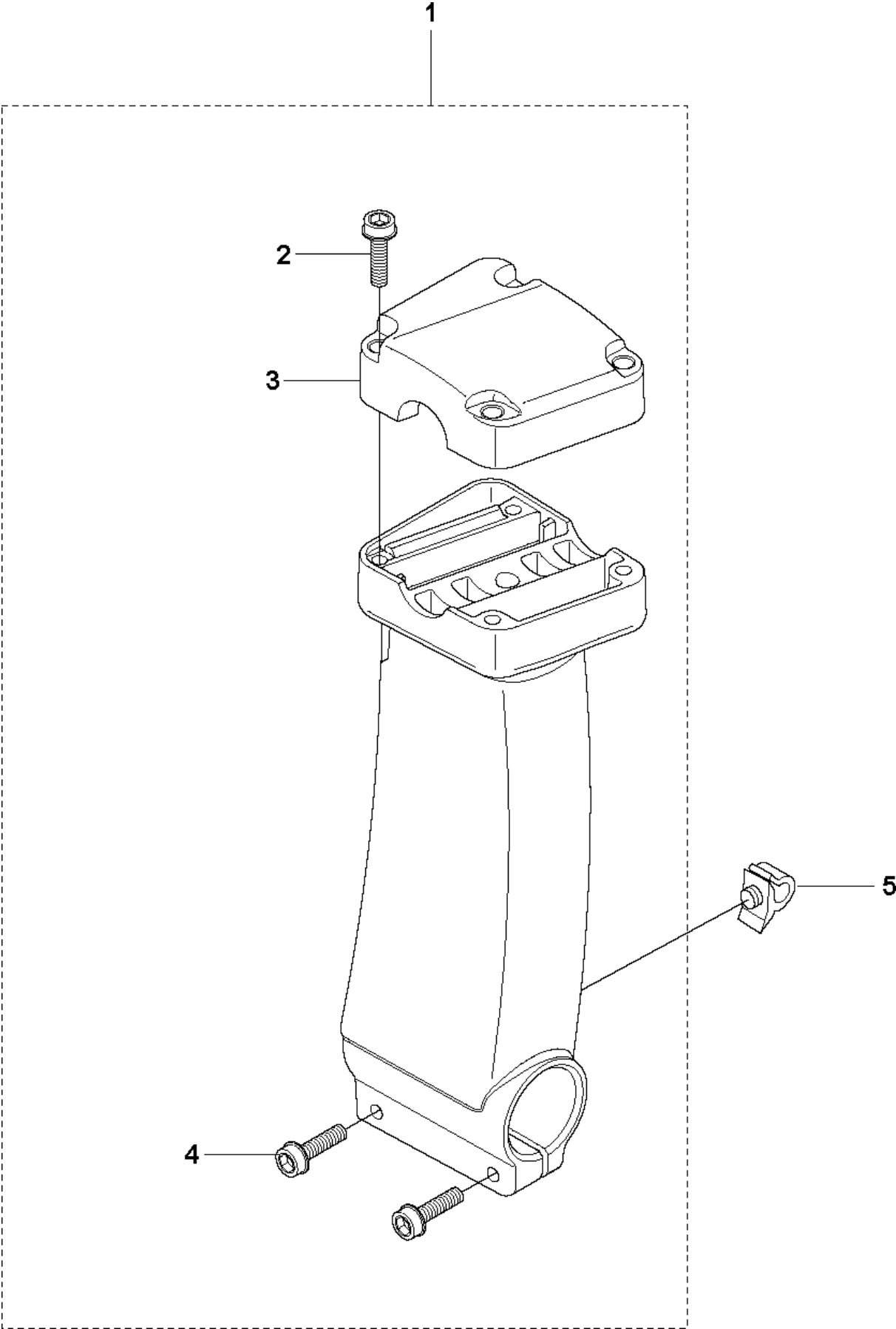
B 241R
SHAFT



SHAFT

241 R, 20144900001-Current

Ref	Part No	Description	Remark	QTY KIT	
1	537 21 42-01	TUBE	Incl. Pos. 2-5	1	
2	537 36 02-02	SPACER		1	1
3	537 21 41-01	TUBE	Ø=28mm, L=1483mm	1	1
4	537 36 02-01	SPACER		1	1
5	537 31 39-01	GUIDE	Ø=9mm, L=1400mm	1	1
6	544 18 32-01	DRIVE SHAFT	Ø=8mm, L=1527mm	1	
7	503 21 68-72	SCREW IHST		6	
8	544 27 91-01	WEAR PROTECTION		1	
9	544 27 90-01	WEAR PROTECTION		1	
10	544 10 17-02	DAMPER		4	
11	589 29 51-01	LABEL		1	

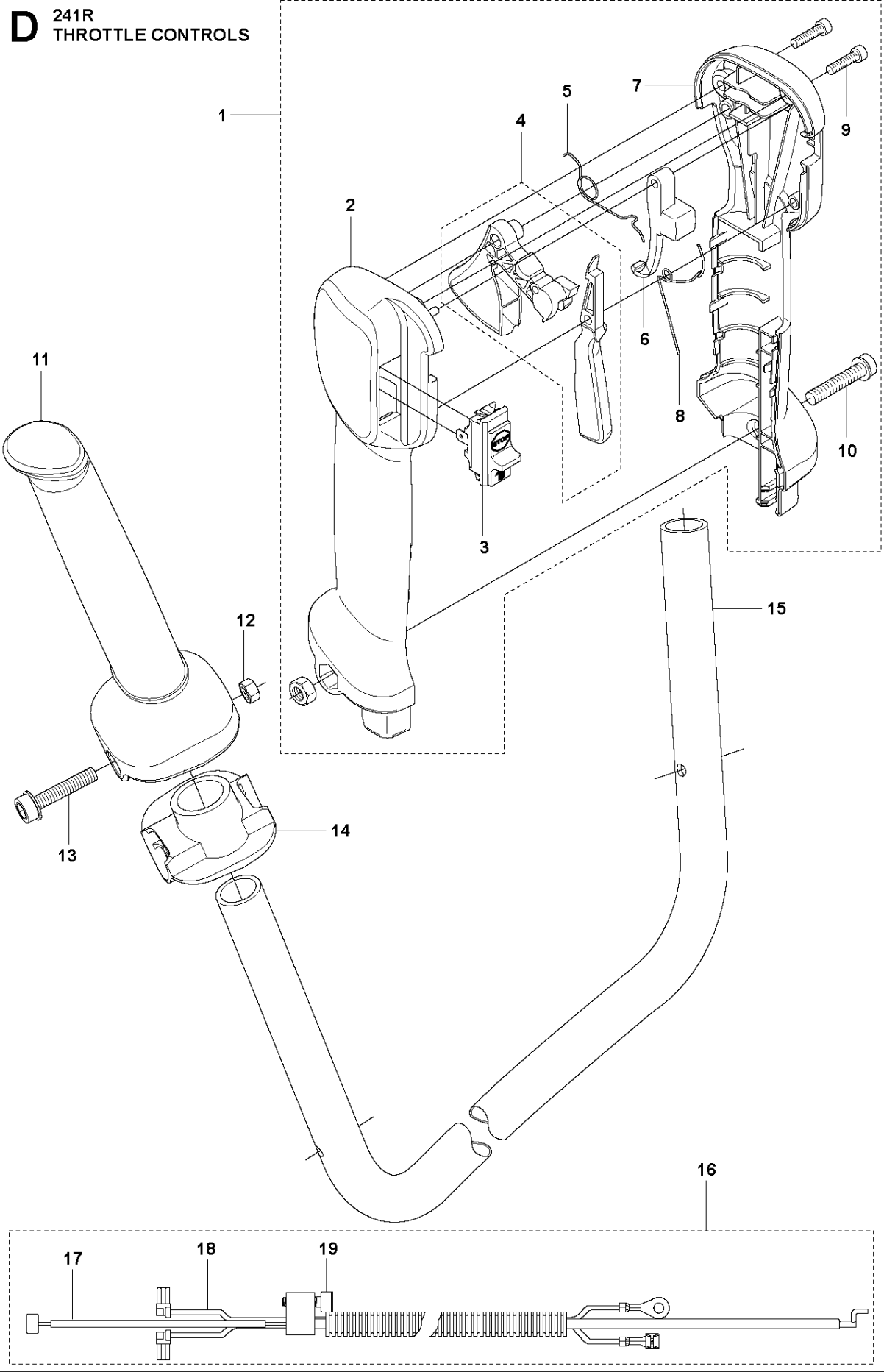


SUSPENSION

241 R, 20144900001-Current

Ref	Part No	Description	Remark	QTY KIT	
1	544 22 58-02	HANDLEBAR BRACKET	Incl. Pos. 2-4	1	
2	503 20 08-32	SCREW IHSCM		4	1
3	544 01 99-02	HANDLEBAR BRACKET		1	1
4	725 53 31-65	SCREW IHSCM		2	1
5	502 28 61-01	CLIP		1	

D 241R
THROTTLE CONTROLS



THROTTLE CONTROLS

241 R, 20144900001-Current

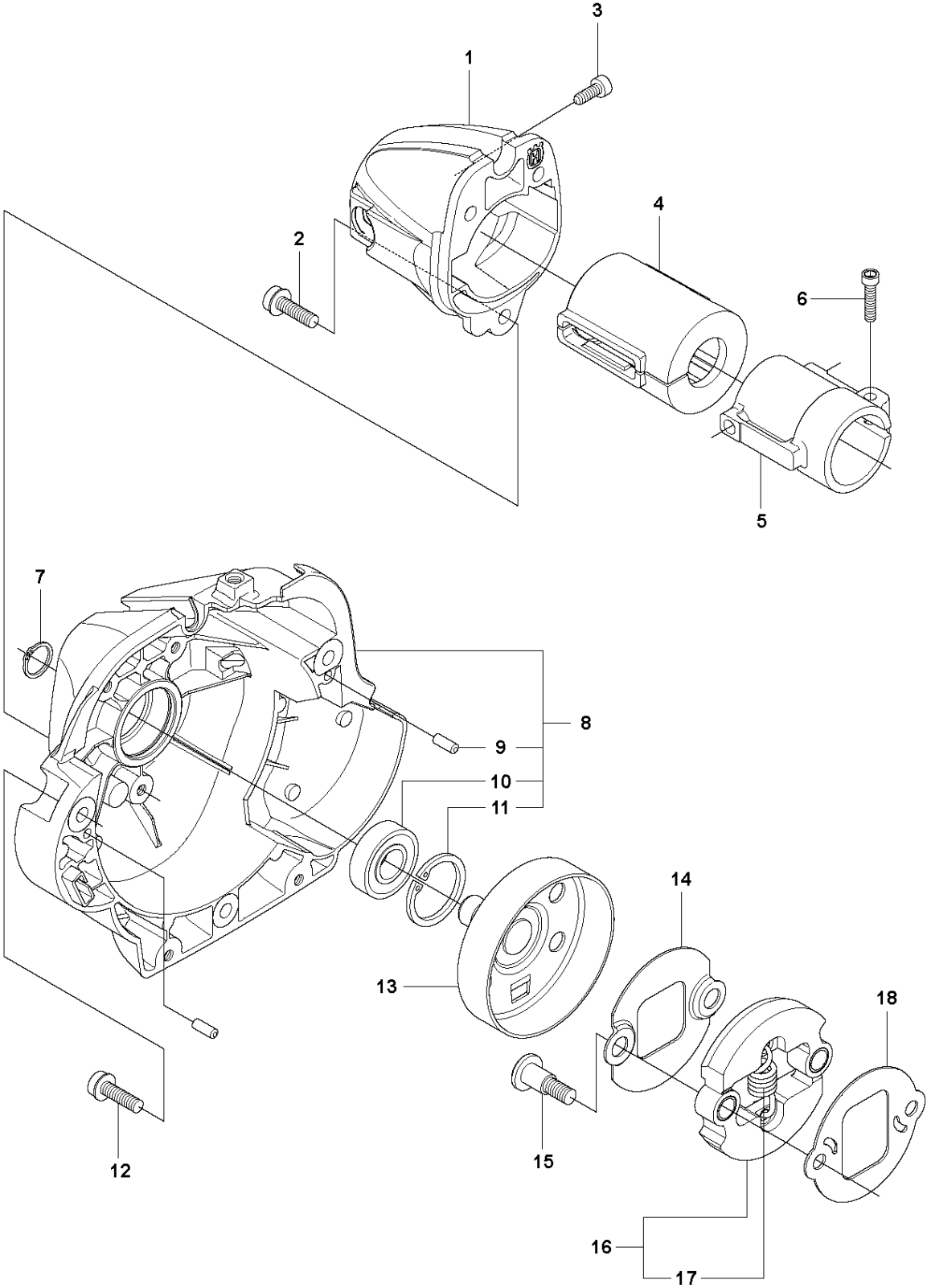
Ref	Part No	Description	Remark	QTY	KIT
1	537 42 45-06	HANDLE SYSTEM	Incl. Pos. 2-10	1	
2	537 16 02-03	HANDLE HALF		1	1
3	537 41 90-01	SWITCH		1	1
4	506 49 77-01	THROTTLE CONTROL	Kit	1	1
5	537 17 42-01	SPRING THROTTLE TRIG		1	1
6	537 16 07-03	THROTTLE LOCKOUT		1	1
7	537 16 03-01	HANDLE HALF		1	1
8	537 17 43-01	SPRING		1	1
9	503 21 66-18	SCREW IH SCT		2	1
10	503 20 07-35	SCREW IH SCFM		1	1
11	537 17 28-01	HANDLE		1	
12	731 23 14-01	HEXAGON NUT		1	
13	503 20 02-45	SCREW IH SCFM		1	
14	537 17 29-01	COVER		1	
15	537 36 00-01	HANDLEBAR		1	
16	537 35 96-02	WIRING ASSY	Incl. Pos. 17-19	1	
17	537 37 78-01	THROTTLE CABLE ASSY		1	16
18	503 87 85-07	SHORT CIRCUIT CABLE		1	16
19	503 21 66-18	SCREW IH SCT		1	16

FUEL TANK

241 R, 20144900001-Current

Ref	Part No	Description	Remark	QTY	KIT
1	576 98 79-01	TANK ASSY	Incl. Pos. 2-5	1	
2	503 73 58-01	BUSHING		2	1
3	503 91 10-01	SUSPENSION		4	1
4	537 35 72-01	PROTECTIVE PLATE		1	1
5	503 21 75-72	SCREW IHSCFT		1	1
6	544 88 97-01	TANK CAP		1	
7	537 05 23-01	FUEL HOSE		1	
8	503 93 66-01	PURGE		1	
9	537 18 49-01	O-RING		1	
10	537 04 24-12	FUEL HOSE		1	
11	544 97 75-12	FUEL HOSE		1	
12	503 44 32-01	FUEL FILTER		1	
13	503 21 75-16	SCREW IHSCFT		2	

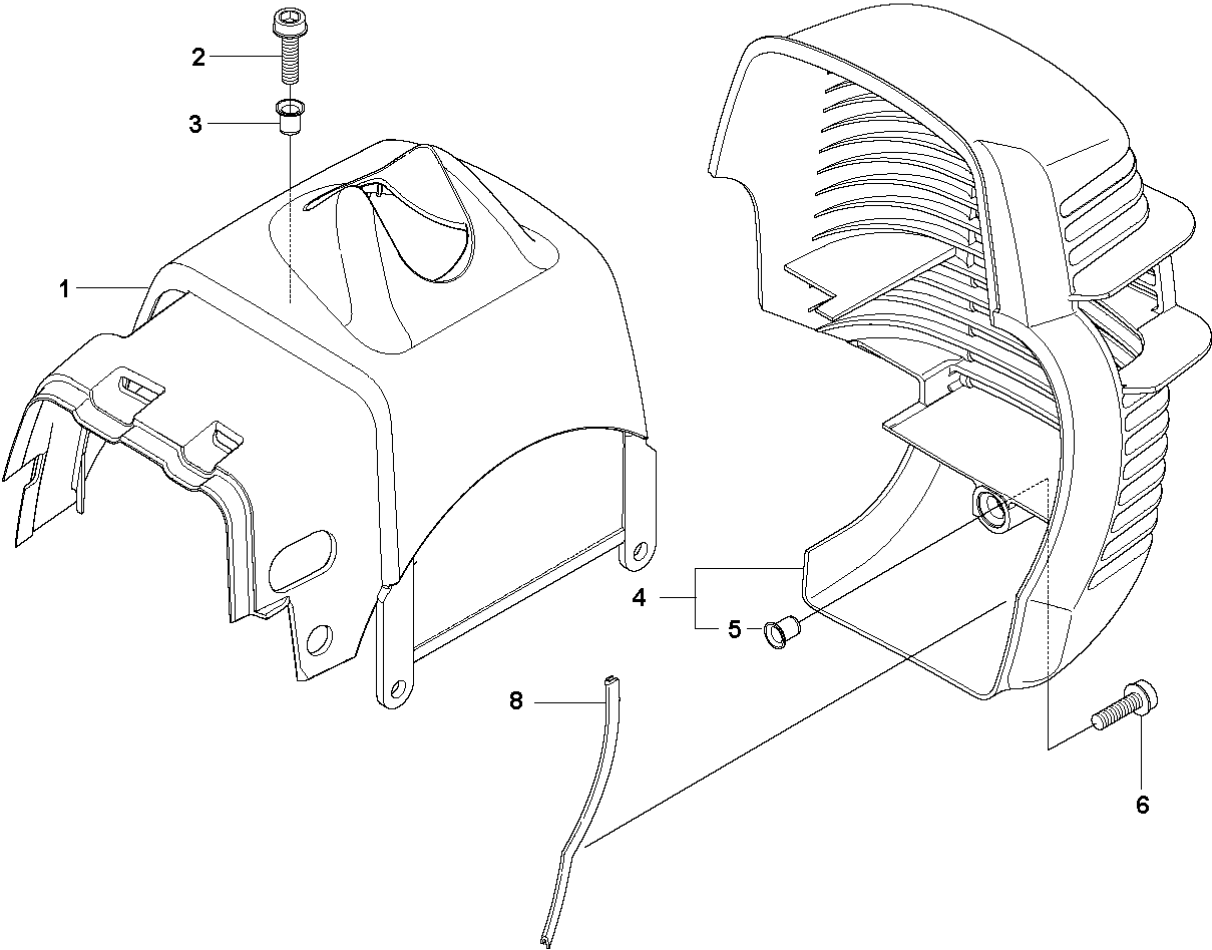
F 241R
CLUTCH



CLUTCH

241 R, 20144900001-Current

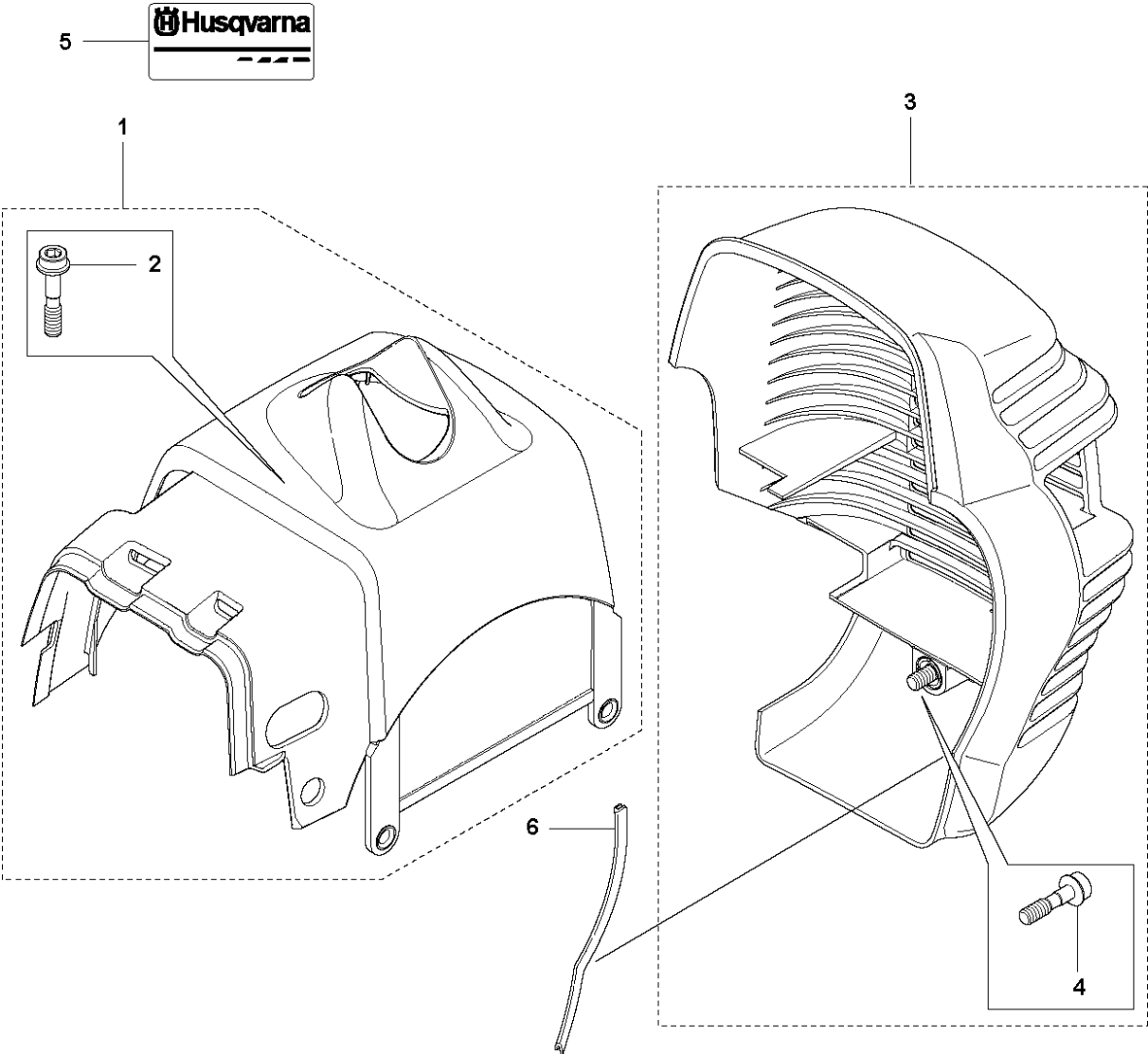
Ref	Part No	Description	Remark	QTY	KIT
1	544 11 02-01	COVER		1	
2	503 20 03-02	SCREW IHSCFM		3	
3	503 21 74-11	SCREW IH SCT		2	
4	537 32 27-01	ANTIVIBRATION ELEMENT		1	
5	537 31 01-01	COMPRESSION SLEEVE		1	
6	725 53 33-55	SCREW IHSCM		1	
7	735 31 14-00	CIRCLIP		1	
8	537 30 29-02	CLUTCH COVER	Incl. Pos. 9-11	1	
9	503 24 07-02	PARALLEL PIN		2	8
10	738 21 01-04	BALL BEARING		1	8
11	735 31 28-10	CIRCLIP		1	8
12	503 20 03-02	SCREW IHSCFM		3	
13	537 35 29-01	CLUTCH DRUM		1	
14	537 41 57-01	WASHER		1	
15	537 41 81-01	SCREW		2	
16	537 34 04-01	CLUTCH	Incl. Pos. 17	1	
17	537 42 72-01	SPRING		1	16
18	537 04 68-01	WASHER		1	



CYLINDER COVER

241 R, 20144900001-Current

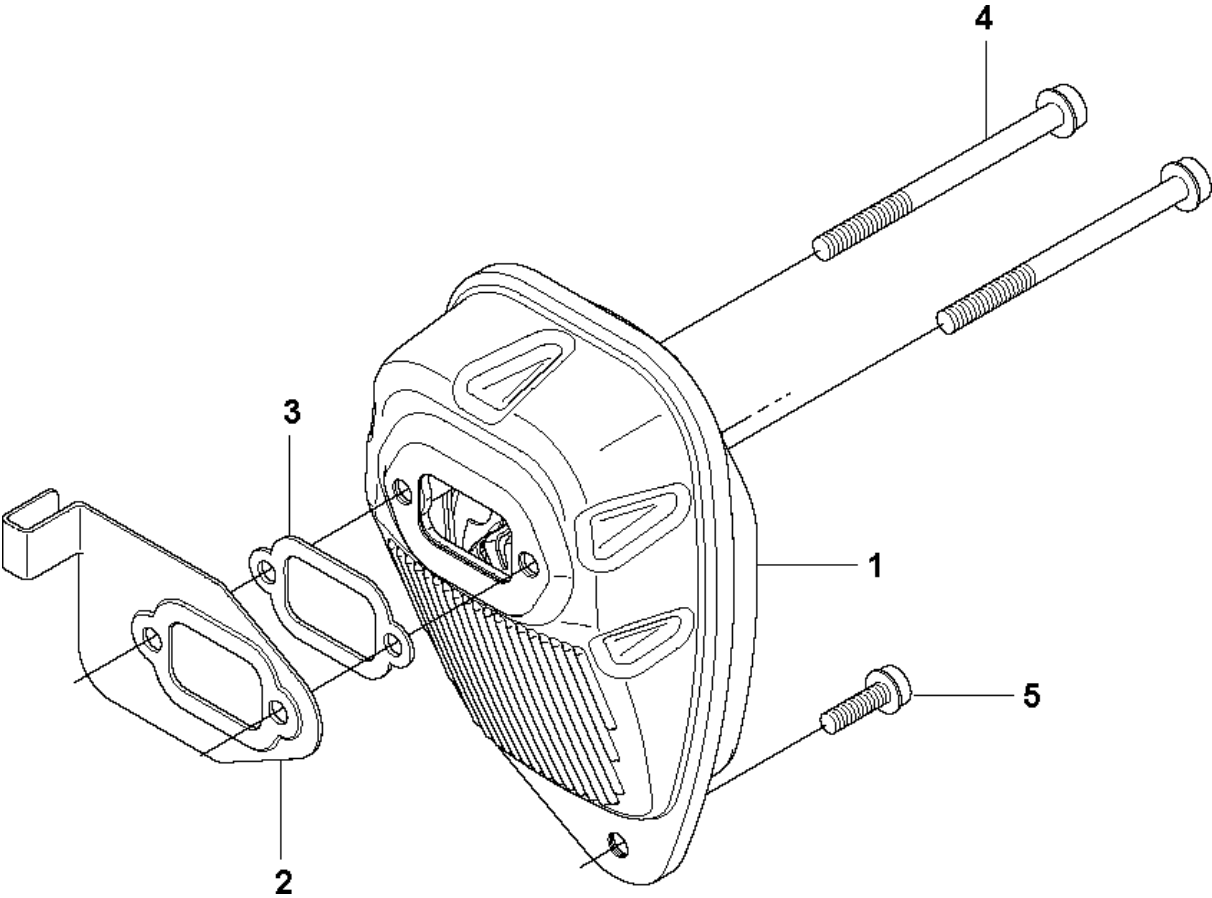
Ref	Part No	Description	Remark	QTY	KIT
1	544 80 88-01	CYLINDER COVER		1	
2	503 20 03-02	SCREW IHSCFM		1	
3	537 37 38-02	TUBULAR RIVET		1	
4	537 42 51-01	HEAT PROTECTOR	Incl. Pos. 5	1	
5	537 37 38-03	TUBULAR RIVET		1	4
6	503 20 03-02	SCREW IHSCFM		1	
7	544 84 74-02	LABEL		1	
8	544 02 98-01	BAR		1	



CYLINDER COVER

241 R, 20144900001-Current

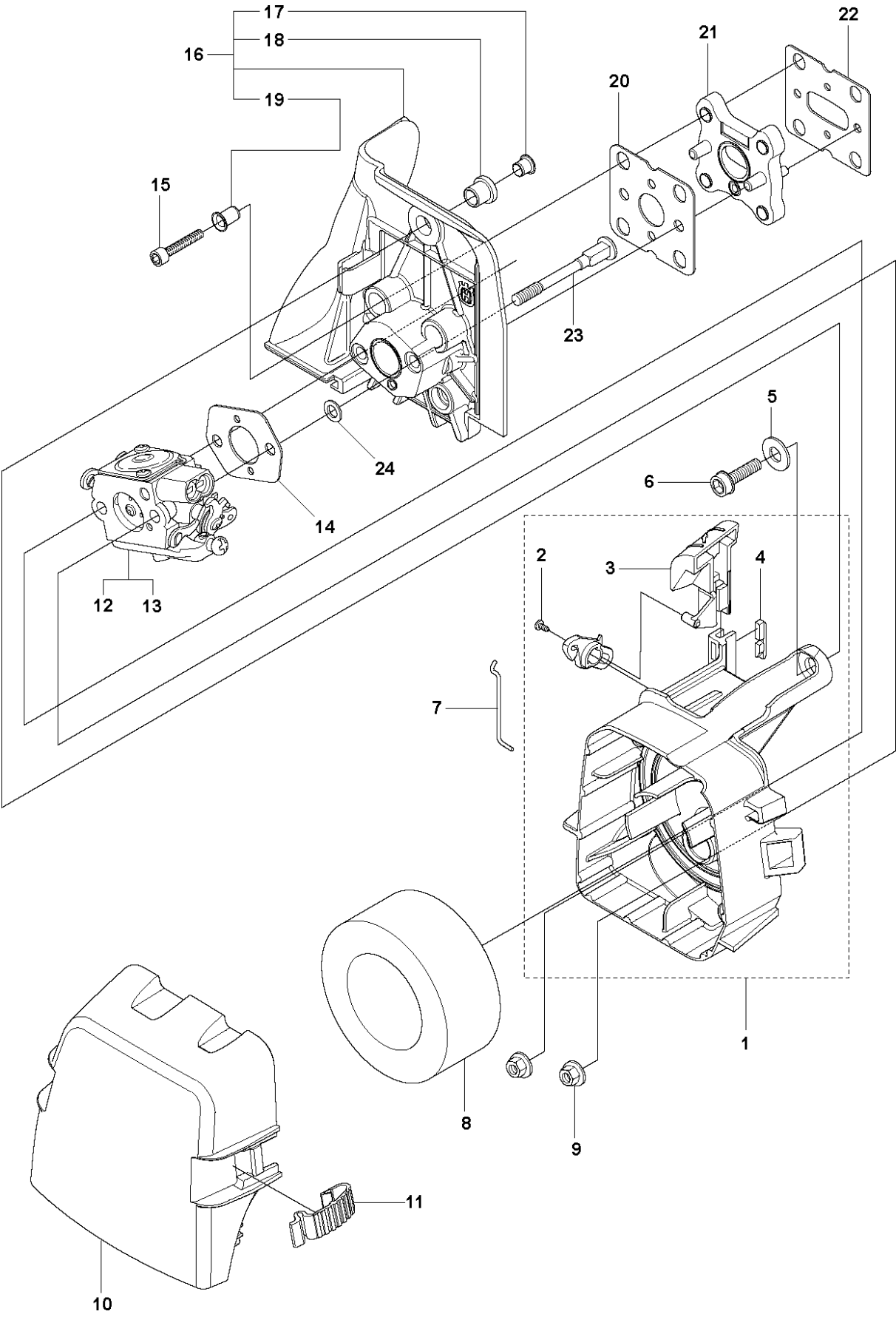
Ref	Part No	Description	Remark	QTY	KIT
1	576 47 04-01	CYLINDER COVER ASSY	Spare part incl. Screws Pos. 2	1	
2	573 99 43-04	SCREW IHSCFMO	Captive Screw M5	1	1
3	576 47 02-01	HEAT SHIELD	Spare part incl. Screws Pos. 4	1	
4	574 47 70-03	SCREW IHSCFMO	Captive Screw M5	1	3
5	544 84 74-02	LABEL		1	
6	544 02 98-01	BAR		1	



MUFFLER

241 R, 20144900001-Current

Ref	Part No	Description	Remark	QTY KIT
1	504 07 50-01	MUFFLER ASSY		1
2	537 34 08-01	AIR CONDUCTOR		1
3	537 33 31-01	GASKET		1
4	503 20 29-63	SCREW IHSCFM		2
5	503 20 03-02	SCREW IHSCFM		1

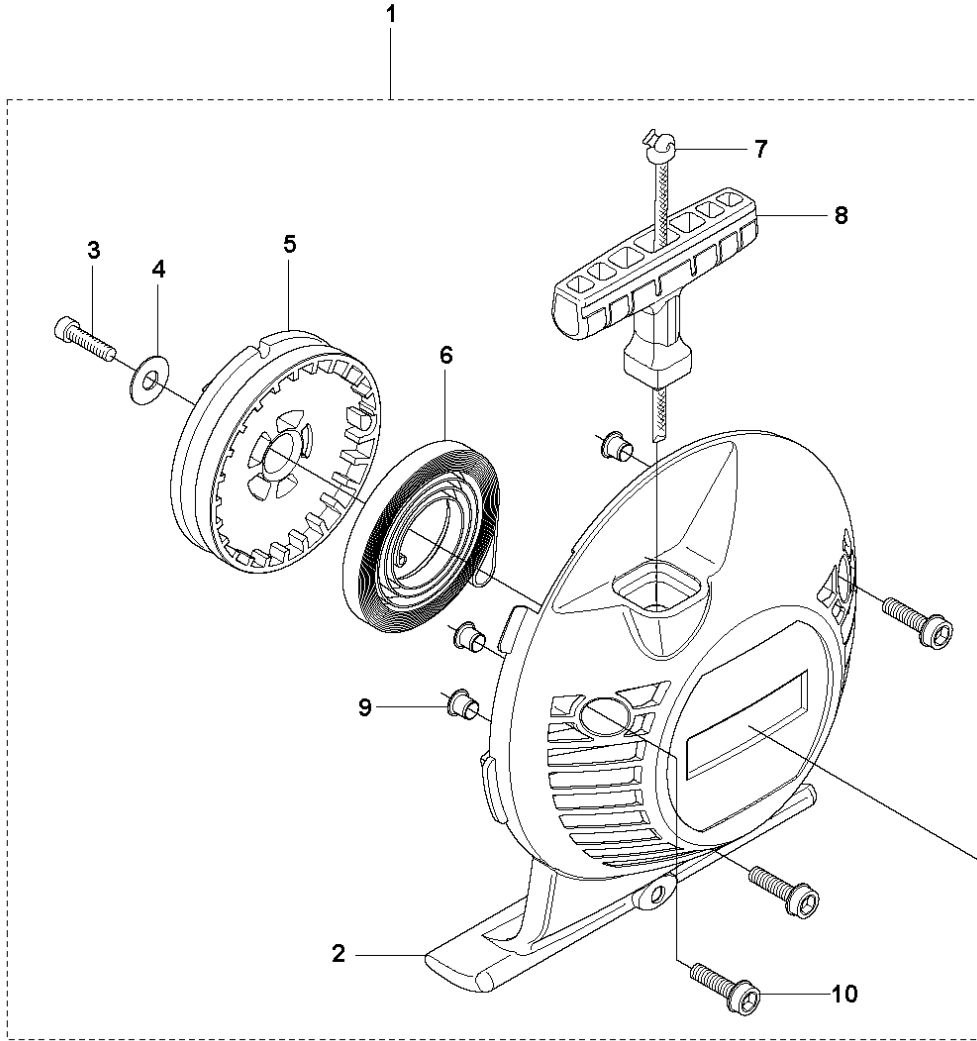
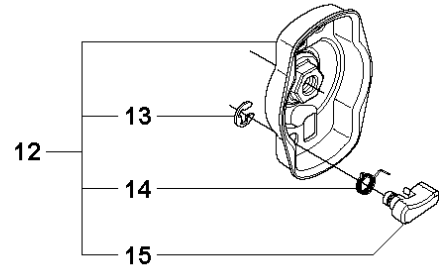


CARBURETOR & AIR FILTER

241 R, 20144900001-Current

Ref	Part No	Description	Remark	QTY KIT	
1	544 22 71-01	FILTER HOLDER ASSY	Incl. Pos. 2-5	1	
2	503 21 29-06	SCREW CCRPANT		1	1
3	537 33 71-01	CHOKE CONTROL		1	1
4	544 02 58-01	BAR		1	1
5	734 11 47-41	WASHER		1	1
6	503 20 03-02	SCREW IHSCFM		1	
7	544 37 89-01	SLEEVING BRACKET		1	
8	544 14 10-01	AIR FILTER		1	
9	731 71 14-51	HEXAGON NUT FLANGE		2	
10	544 13 82-01	FILTER COVER		1	
11	537 38 72-01	SNAP LOCKING		2	
12	501 32 69-01	CARBURETTOR	ZAMA C1Q-EL38	1	
13	501 32 70-01	CARBURETTOR	ZAMA C1Q-EL39A	1	
14	503 49 71-01	GASKET		1	
15	503 20 25-25	SCREW IHSCM		4	
16	544 15 86-01	INSULATION WALL	Incl. Pos. 17-19	1	
17	544 01 91-01	TUBULAR RIVET		1	16
18	537 37 11-01	SLEEVE		1	16
19	544 91 29-01	TUBULAR RIVET		1	16
20	544 18 58-01	GASKET INTAKE		1	
21	544 91 52-01	MANIFOLD		1	
22	544 18 56-01	GASKET INTAKE		1	
23	544 08 20-02	SCREW		2	
24	734 11 46-01	WASHER		2	

K1 241R
STARTER

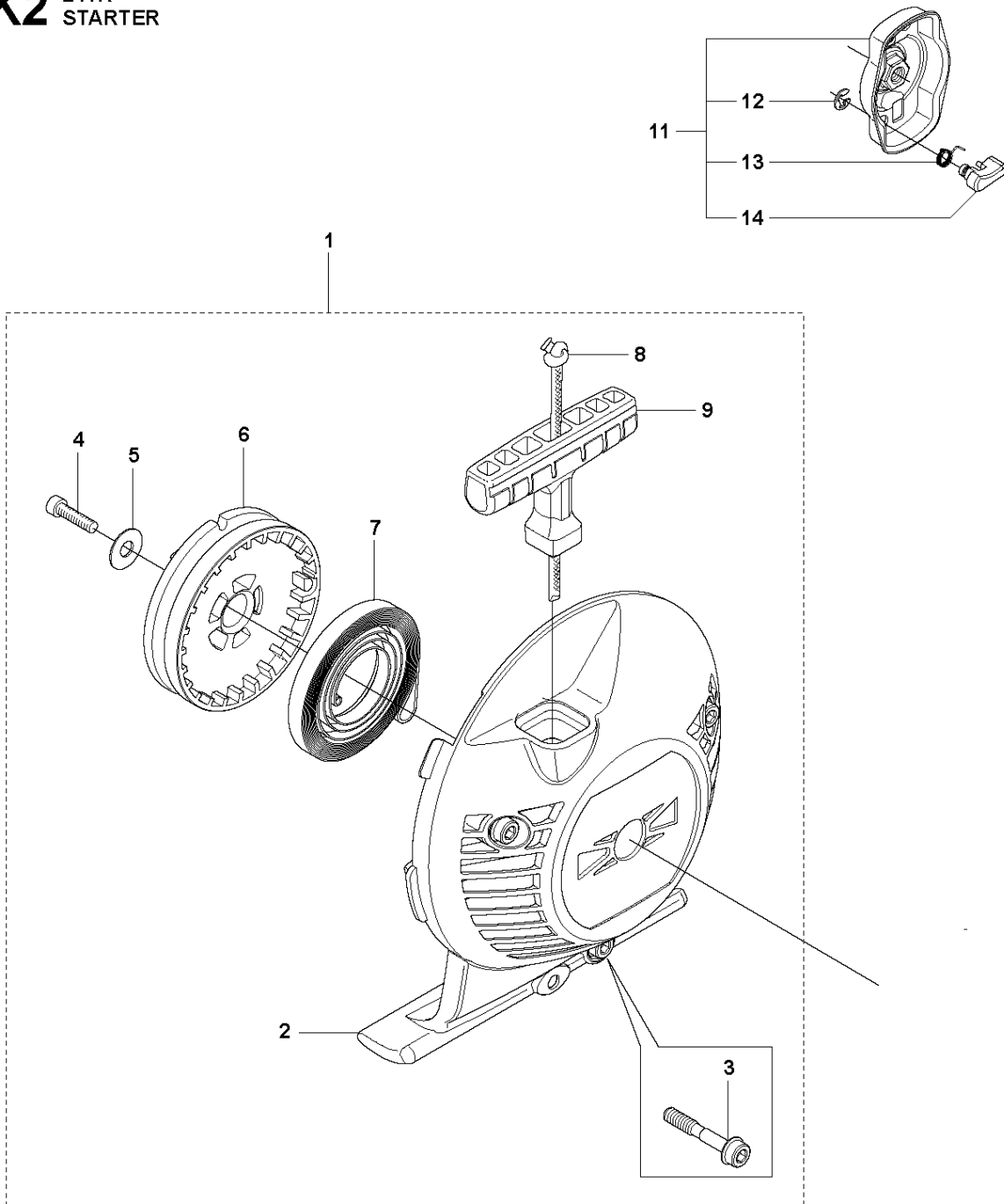


STARTER

241 R, 20144900001-Current

Ref	Part No	Description	Remark	QTY	KIT
1	537 21 47-04	STARTER ASSY	Incl. Pos. 2-10	1	
2	544 27 93-01	STARTER		1	1
3	503 21 79-20	SCREW IH SCT		1	1
4	535 07 23-01	WASHER		1	1
5	537 32 50-03	STARTER PULLEY		1	1
6	503 85 99-01	RECOIL SPRING		1	1
7	505 30 51-25	STARTER CORD		1	1
8	503 54 39-01	STARTER HANDLE		1	1
9	537 37 38-02	TUBULAR RIVET		3	1
10	503 20 03-02	SCREW IH SCFM		3	1
11	544 84 73-02	DECAL		1	
12	503 87 33-04	STARTER PAWL BRIDGE	Incl. Pos. 13-15	1	
13	735 31 08-20	E-CLIP		1	12
14	503 87 36-01	SPRING		1	12
15	544 01 14-01	STARTER PAWL		2	12

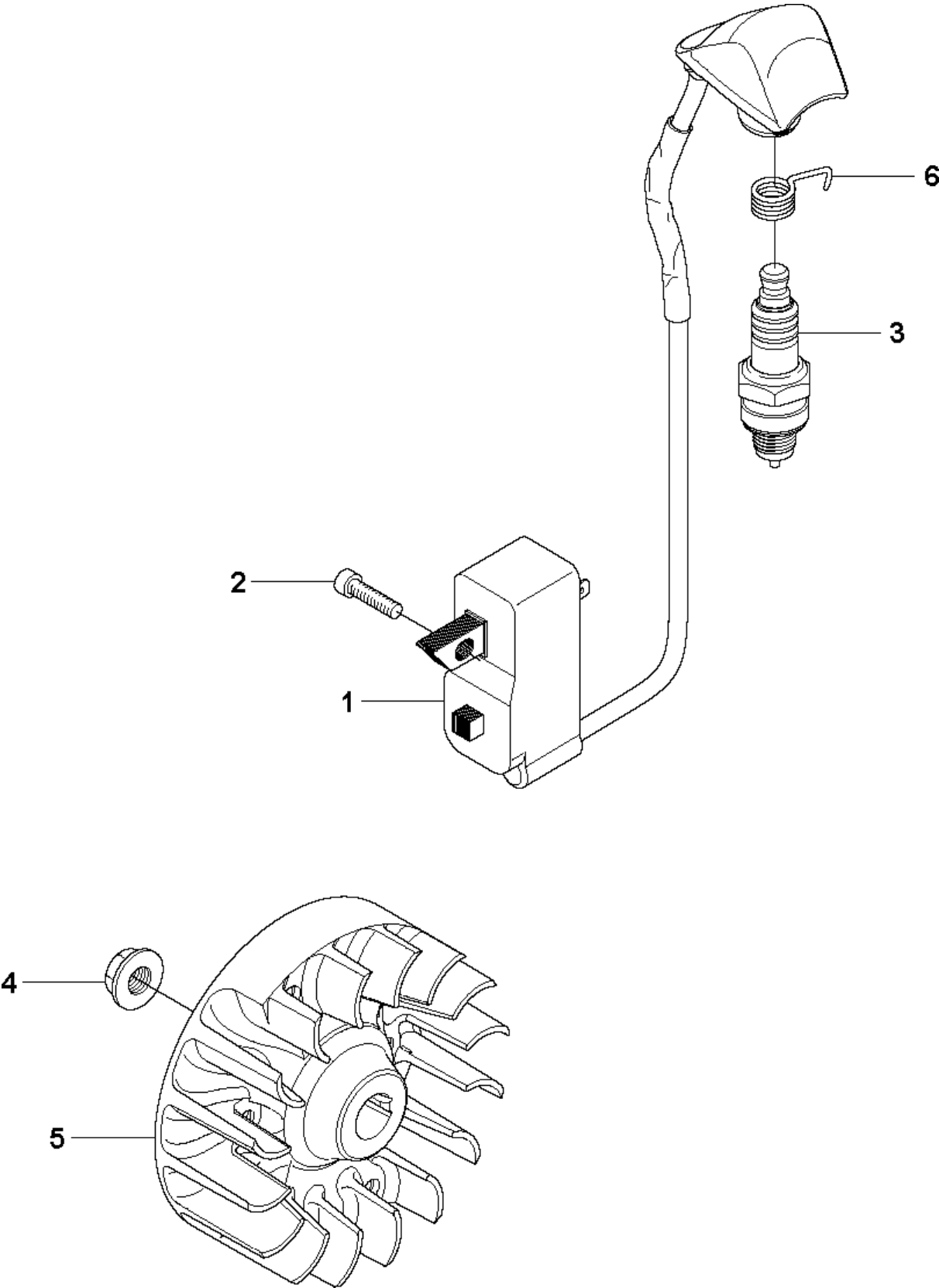
K2 241R
STARTER



STARTER

241 R, 20144900001-Current

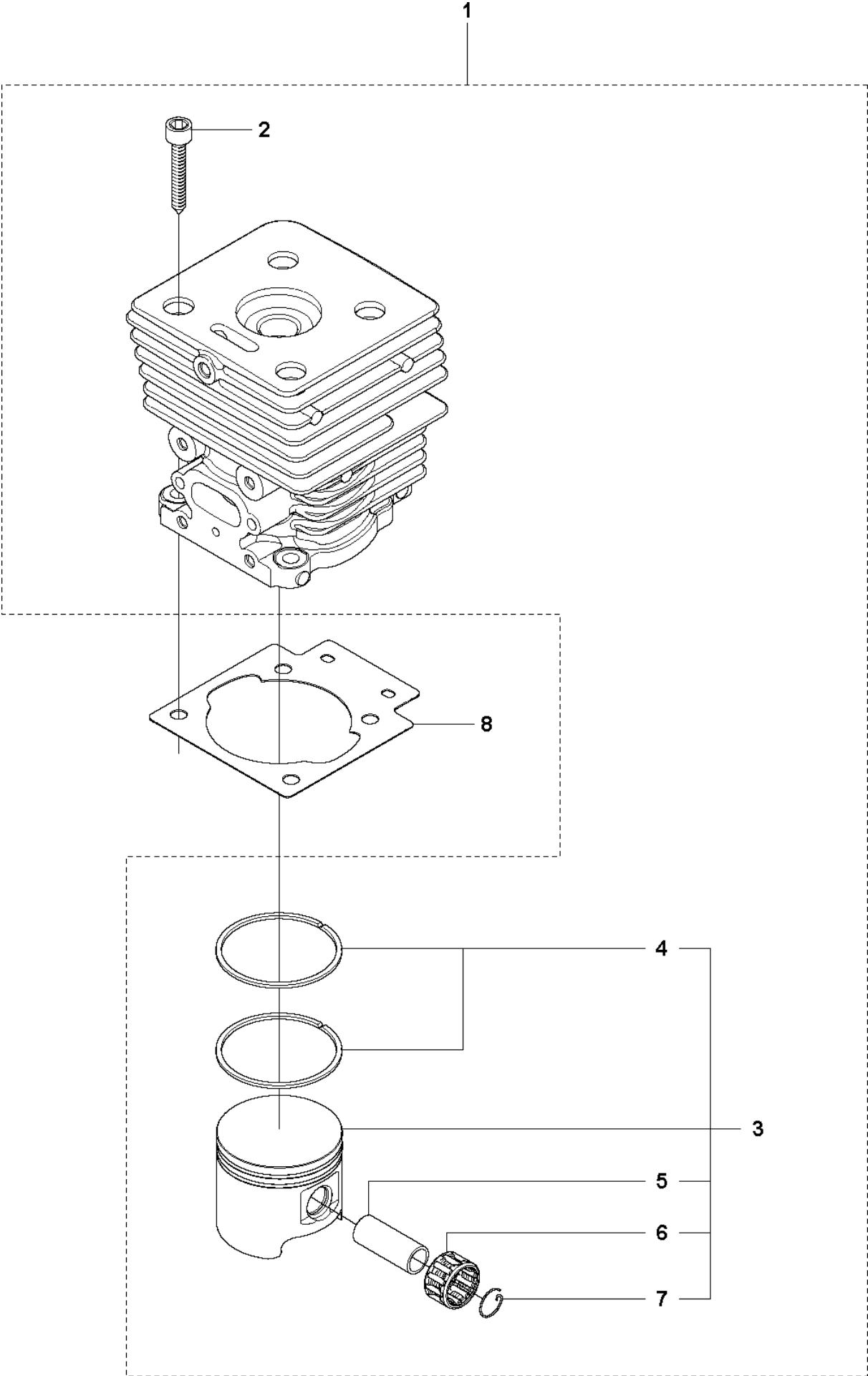
Ref	Part No	Description	Remark	QTY KIT	
1	576 47 00-02	STARTER ASSY	Incl. Pos. 2-9	1	
2	544 10 25-02	STARTER	Spare part incl. Screws Pos. 3	1	1
3	573 99 43-05	SCREW IHSCFMO	Captive Screw M5	1	1
4	503 21 79-20	SCREW IHST		1	1
5	535 07 23-01	WASHER		2	1
6	537 32 50-03	STARTER PULLEY		1	1
7	503 85 99-01	RECOIL SPRING		1	1
8	505 30 51-25	STARTER CORD		1	1
9	503 54 39-01	STARTER HANDLE		2	1
10	544 84 73-02	DECAL		2	
11	503 87 33-04	STARTER PAWL BRIDGE	Incl. Pos. 12-14	2	
12	735 31 08-20	E-CLIP		2	11
13	503 87 36-01	SPRING		1	11
14	544 01 14-01	STARTER PAWL		1	11



IGNITION SYSTEM

241 R, 20144900001-Current

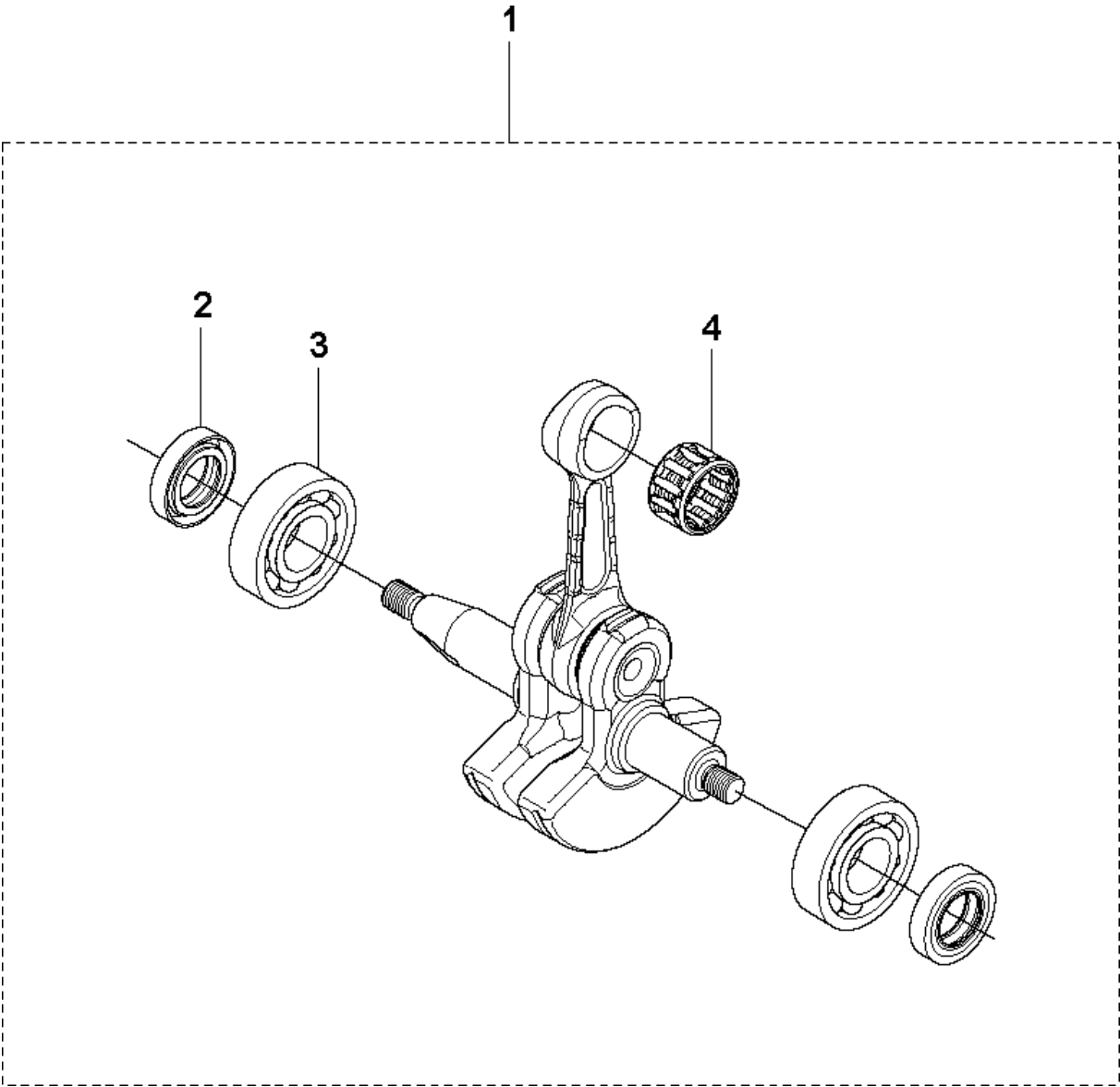
Ref	Part No	Description	Remark	QTY KIT
1	501 31 98-01	IGNITION MODULE		1
2	503 21 66-18	SCREW IHST		2
3	503 23 51-11	SPARK PLUG	NGK BPMR7A Ø=14mm	1
4	731 71 16-51	HEXAGON NUT FLANGE		1
5	537 24 96-01	FLYWHEEL		1
6	501 48 56-01	CONTACT SPRING		1



CYLINDER PISTON

241 R, 20144900001-Current

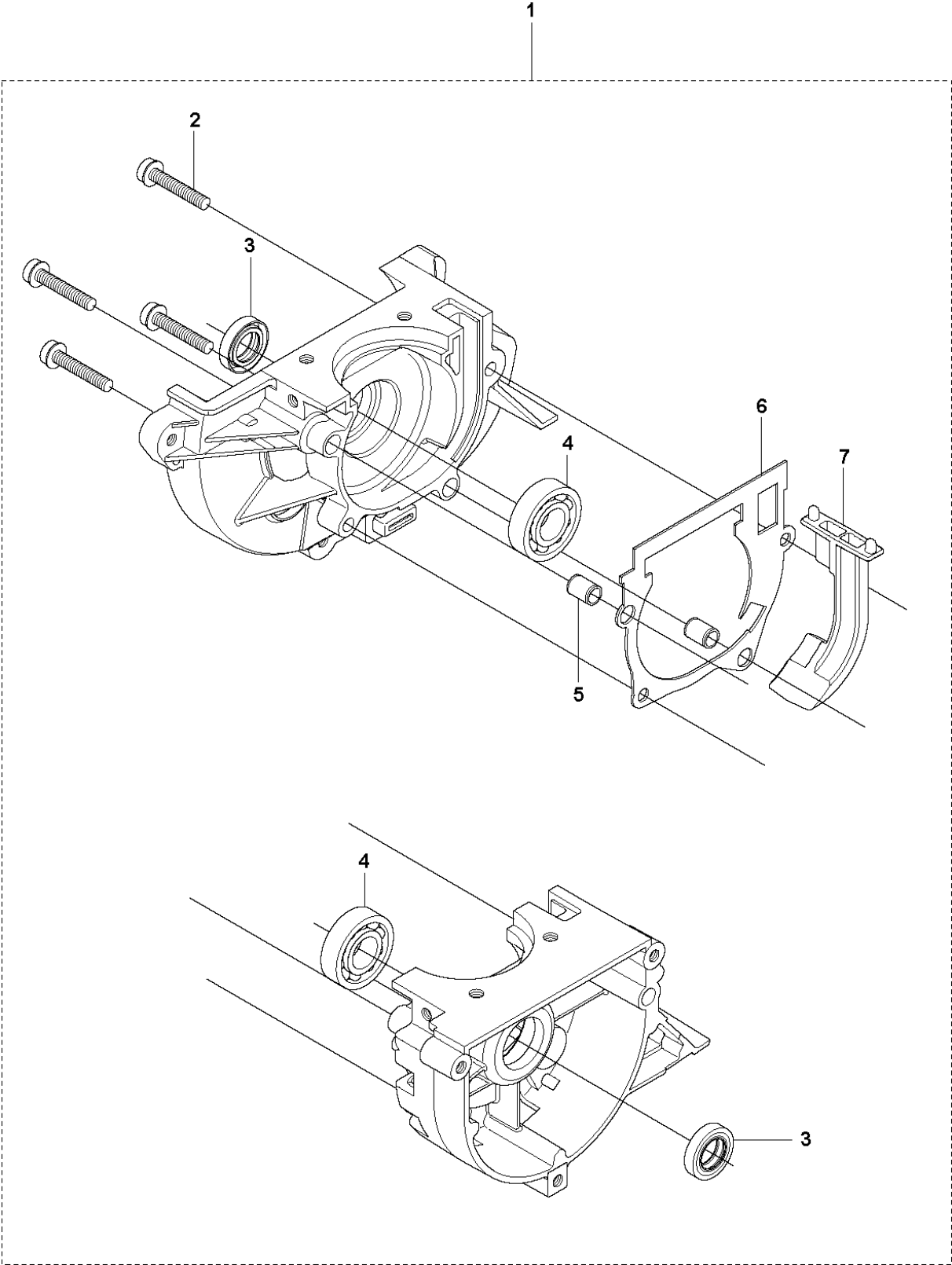
Ref	Part No	Description	Remark	QTY	KIT
1	502 24 33-01	CYLINDER ASSY	Ø=41mm Incl. Pos. 2-7	1	
2	503 20 08-23	SCREW IHSCM		4	1
3	544 19 93-02	PISTON ASSY	Incl. Pos. 4-7	1	1
4	544 19 94-01	PISTON RING		1	1, 3
5	544 21 12-01	PISTON PIN		1	1, 3
6	503 25 63-01	NEEDLE BEARING		1	1, 3
7	737 44 10-00	SNAP RING		2	1, 3
8	544 18 70-01	GASKET		1	



CRANKSHAFT

241 R, 20144900001-Current

Ref	Part No	Description	Remark	QTY KIT	
1	544 38 13-01	CRANKSHAFT ASSY	Incl. Pos. 2-4	1	
2	503 26 02-02	SEALING RING		1	1
3	503 25 17-01	BALL BEARING		2	1
4	501 45 16-01	NEEDLE BEARING		1	1



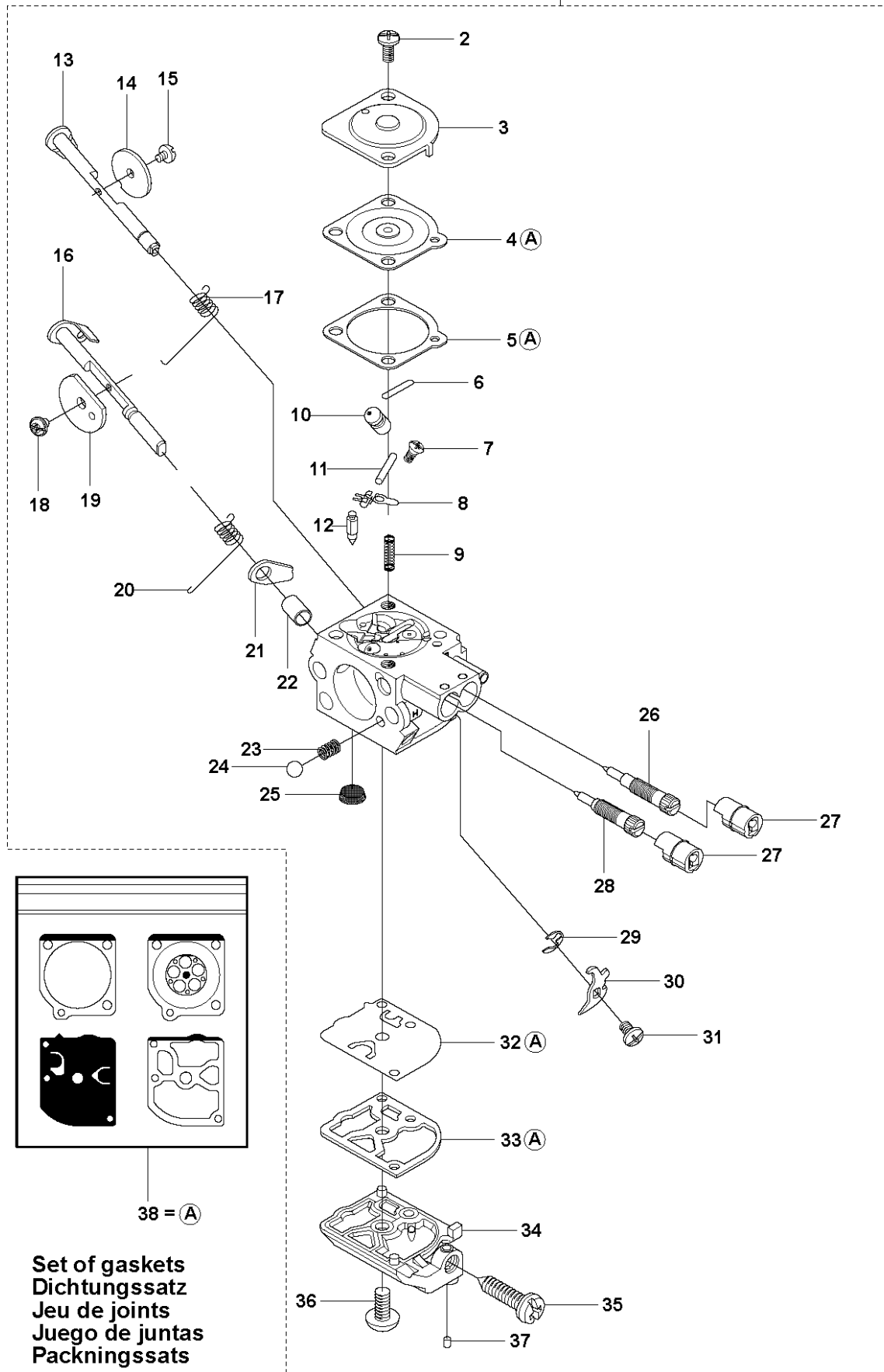
CRANKCASE

241 R, 20144900001-Current

Ref	Part No	Description	Remark	QTY KIT	
1	502 24 38-01	CRANKCASE ASSY	Incl. Pos. 2-7	1	
2	503 20 02-30	SCREW IHSCFM		4	1
3	503 26 02-02	SEALING RING		1	1
4	503 25 17-01	BALL BEARING		2	1
5	501 27 08-01	GUIDE BUSHING		2	1
6	593 77 76-01	GASKET		1	1
7	544 31 71-01	FILLER		1	1

Q1 241R
CARBURETOR

Zama C1Q-EL38



Set of gaskets
Dichtungssatz
Jeu de joints
Juego de juntas
Packningssats

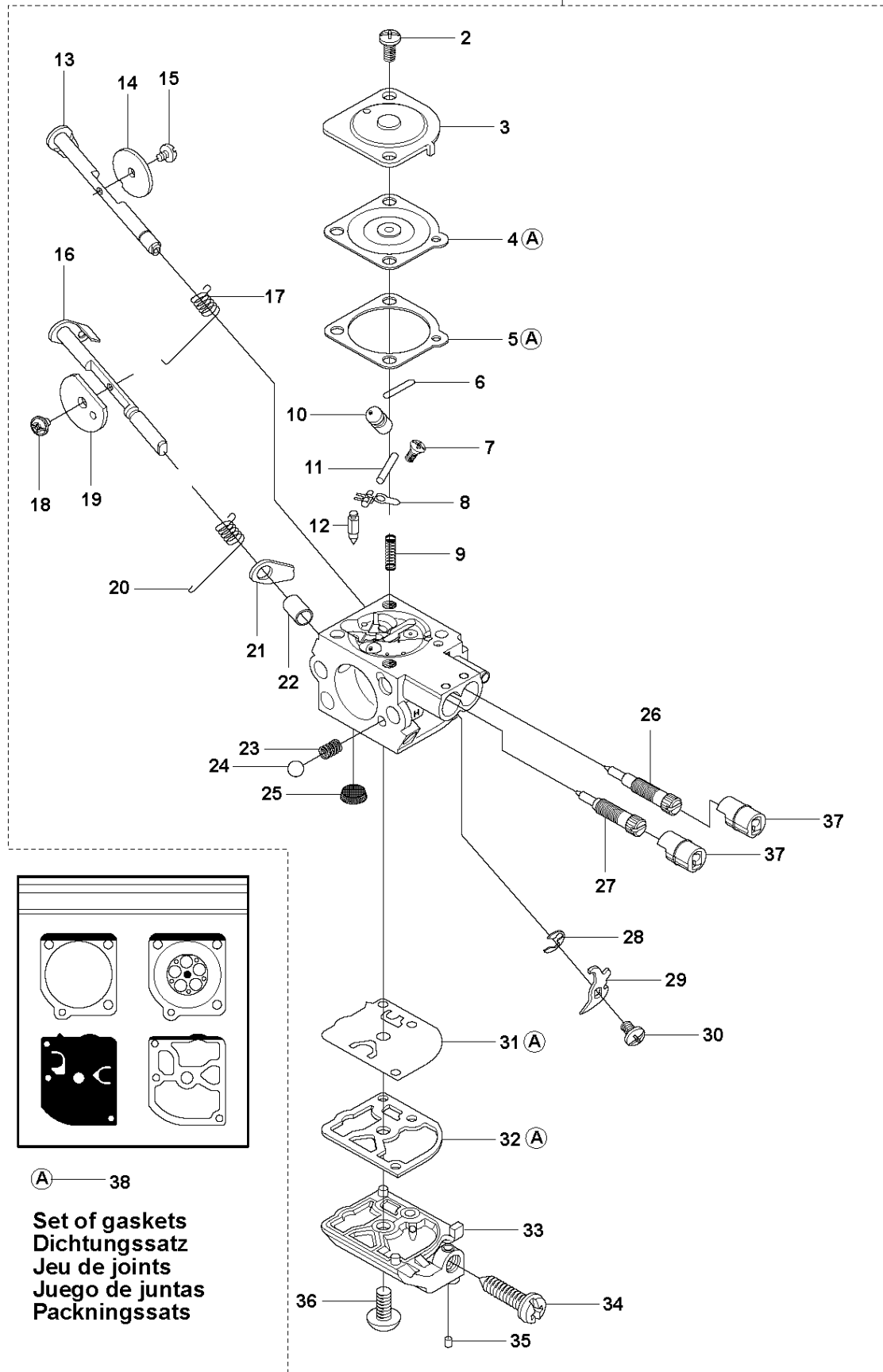
CARBURETOR

241 R, 20144900001-Current

Ref	Part No	Description	Remark	QTY	KIT
1	501 32 69-01	CARBURETTOR	ZAMA C1Q-EL38 Incl. Pos. 2-37	1	
2	503 48 05-01	SCREW		2	1
3	503 97 43-01	COVER		1	1
4	504 10 56-01	DIAPHRAGM		1	1
5	537 02 04-01	GASKET		1	1
6	503 53 56-01	PLUG WELCH		1	1
7	503 48 01-01	SCREW		1	1
8	503 66 59-01	LEVER		1	1
9	537 02 03-01	SPRING		1	1
10	537 38 73-01	NOZZLE ASSY		1	1
11	503 48 00-01	PIN RETAINING SCREW		1	1
12	503 47 97-01	VALVE		1	1
13	504 10 27-01	SHAFT ASSY		1	1
14	537 41 72-01	VALVE		1	1
15	503 47 92-01	SCREW		1	1
16	501 32 71-01	SHAFT ASSY		1	1
17	544 37 24-01	SPRING		1	1
18	503 48 18-01	SCREW		1	1
19	537 37 03-01	VALVE		1	1
20	544 37 26-01	SPRING		1	1
21	544 37 25-01	LEVER		1	1
22	544 42 70-01	COLLAR		1	1
23	537 01 26-01	SPRING		1	1
24	537 01 25-01	BALL		1	1
25	503 48 13-01	STRAINER		1	1
26	537 41 69-01	SCREW	L	1	1
27	537 41 70-01	LIMITER CAP		2	1
28	537 38 75-01	SCREW	H	1	1
29	537 38 52-01	CLIP		1	1
30	537 41 74-01	LEVER		1	1
31	503 47 90-01	SCREW		1	1
32	537 02 00-01	DIAPHRAGM PUMP		1	1
33	537 02 01-01	GASKET		1	1
34	537 41 68-01	COVER		1	1
35	537 02 07-01	SCREW		1	1
36	503 47 96-01	SCREW		1	1
37	503 48 11-01	PIECE		1	1
38	531 00 45-52	GASKET KIT	Set of gaskets	1	

Q2 241R
CARBURETOR

Zama C1Q-EL39A

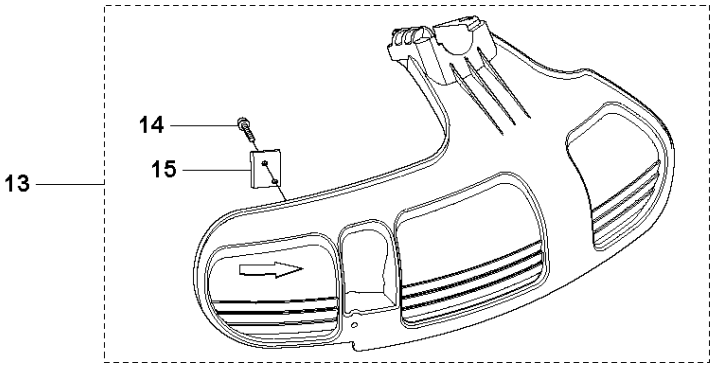
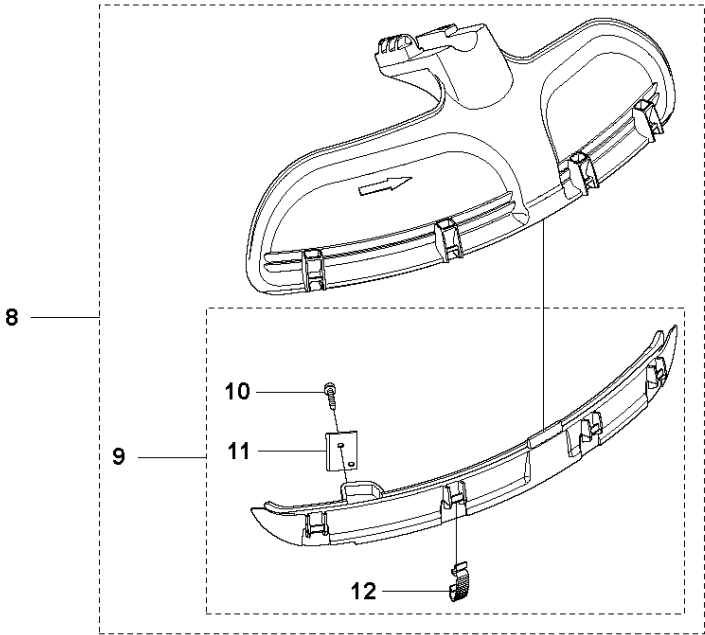
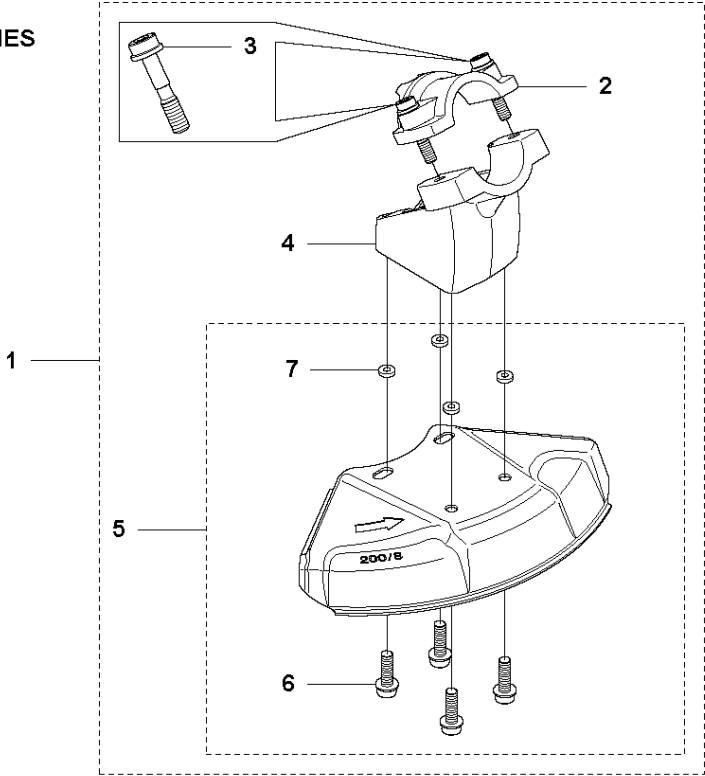


CARBURETOR

241 R, 20144900001-Current

Ref	Part No	Description	Remark	QTY	KIT
1	501 32 70-01	CARBURETTOR	ZAMA C1Q-EL39A Incl. Pos. 2-37	1	
2	503 48 05-01	SCREW		2	1
3	503 97 43-01	COVER		1	1
4	504 10 56-01	DIAPHRAGM		1	1
5	537 02 04-01	GASKET		1	1
6	503 53 56-01	PLUG WELCH		1	1
7	503 48 01-01	SCREW		1	1
8	503 66 59-01	LEVER		1	1
9	537 02 03-01	SPRING		1	1
10	537 38 73-01	NOZZLE ASSY		1	1
11	503 48 00-01	PIN RETAINING SCREW		1	1
12	503 47 97-01	VALVE		1	1
13	504 10 27-01	SHAFT ASSY		1	1
14	537 41 72-01	VALVE		1	1
15	503 47 92-01	SCREW		1	1
16	501 32 71-01	SHAFT ASSY		1	1
17	544 37 24-01	SPRING		1	1
18	503 48 18-01	SCREW		1	1
19	537 37 03-01	VALVE		1	1
20	544 37 26-01	SPRING		1	1
21	544 37 25-01	LEVER		1	1
22	544 42 70-01	COLLAR		1	1
23	537 01 26-01	SPRING		1	1
24	537 01 25-01	BALL		1	1
25	503 48 13-01	STRAINER		1	1
26	501 32 73-01	SCREW	L	1	1
27	501 32 72-01	SCREW		1	1
28	537 38 52-01	CLIP	H	1	1
29	537 41 74-01	LEVER		1	1
30	503 47 90-01	SCREW		1	1
31	537 02 00-01	DIAPHRAGM PUMP		1	1
32	537 02 01-01	GASKET		1	1
33	537 41 68-01	COVER		1	1
34	537 02 07-01	SCREW		1	1
35	503 48 11-01	PIECE		1	1
36	503 47 96-01	SCREW		1	1
37	537 41 70-01	LIMITER CAP		2	1
38	531 00 45-52	GASKET KIT	Set of gaskets	1	

R1 241R
ACCESSORIES

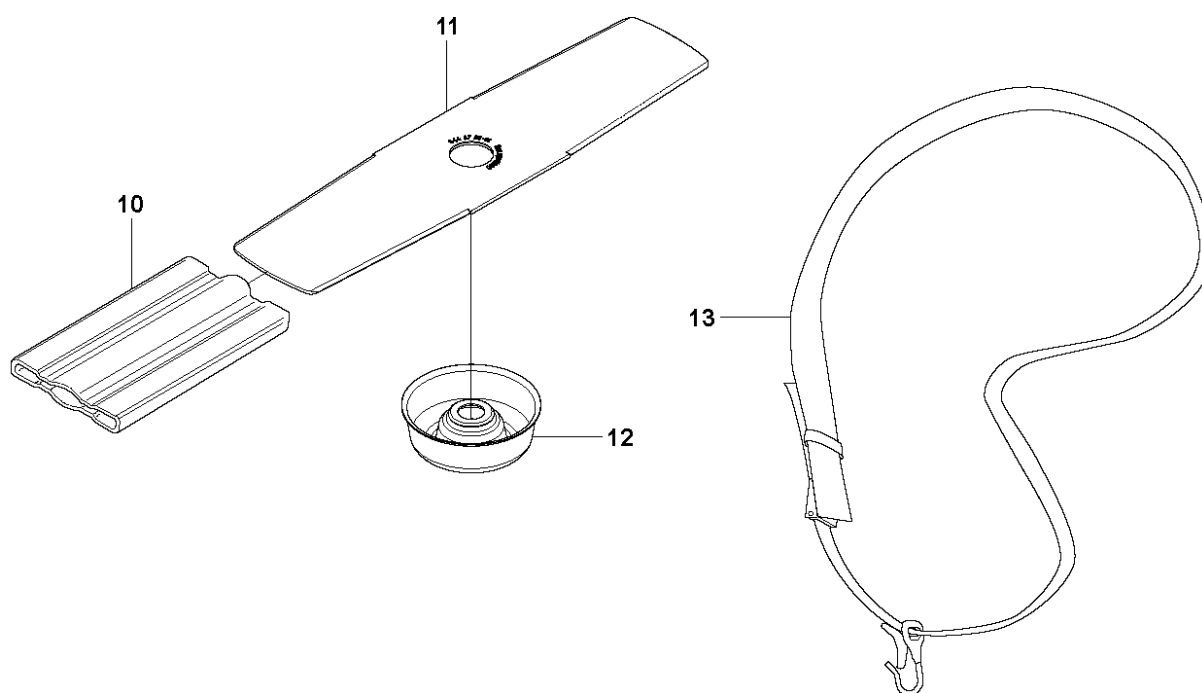
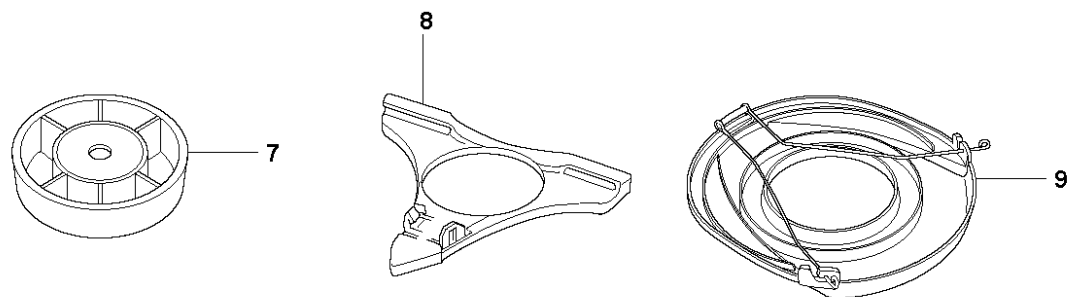
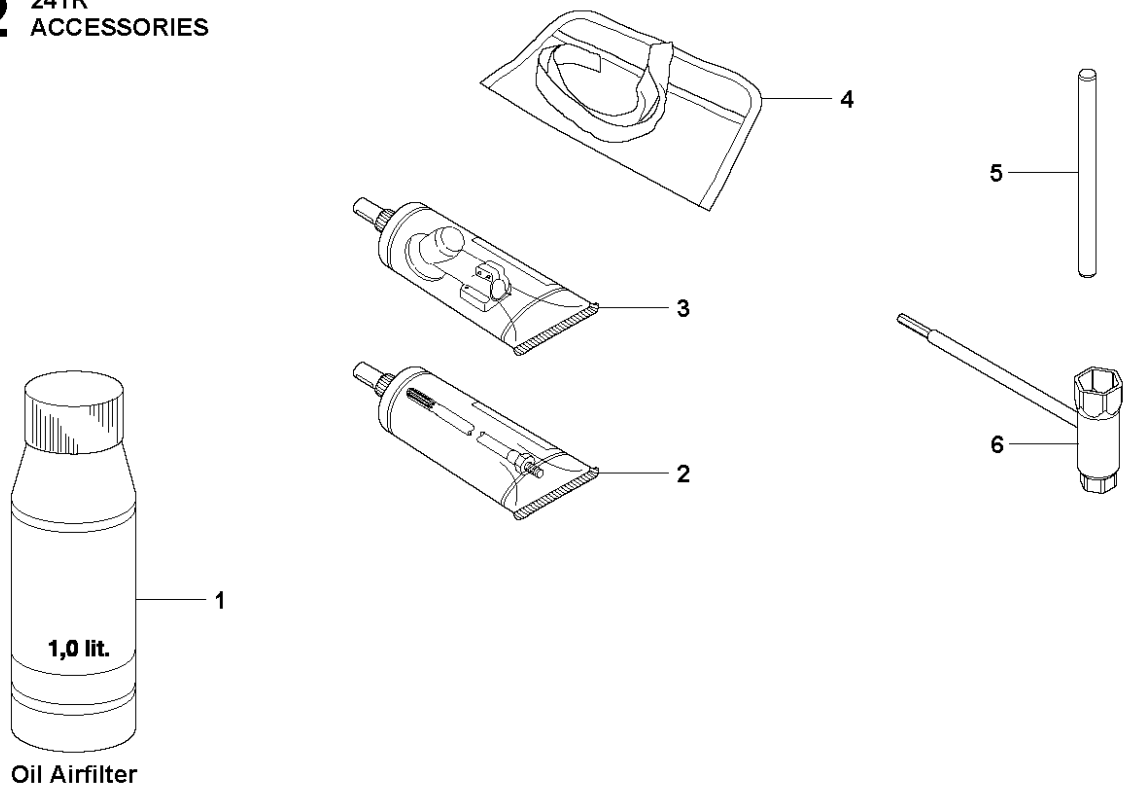


ACCESSORIES

241 R, 20144900001-Current

Ref	Part No	Description	Remark	QTY KIT	
1	501 32 04-02	SAW BLADE GUARD	Incl. Pos. 2-7	1	
2	574 53 06-01	CLAMP	Spare part incl. Screws Pos. 3	1	1
3	573 99 43-04	SCREW IHSCFMO	Captive Screw M5	2	1, 2
4	501 32 08-01	ADAPTER		1	1
5	574 53 26-01	BLADE GUARD	Incl. Pos. 6-7	1	1
6	503 20 02-16	SCREW IHSCFM		4	1, 5
8	537 33 16-01	COMBINATION GUARD	Incl. Pos. 10-12	1	
9	537 39 63-01	SPLASH GUARD		1	8
10	503 21 07-16	SCREW IH SCT		1	8, 9
11	503 79 88-01	BLADE		1	8, 9
12	537 38 72-01	SNAP LOCKING	Incl. Pos. 14-15	4	8, 9
13	537 34 94-03	TRIMMER GUARD ASSY		1	
14	503 21 68-25	SCREW IHSCFT		1	13
15	503 79 88-01	BLADE		1	13
7	574 03 95-01	LOCK NUT		1	1, 5

R2 241R
ACCESSORIES



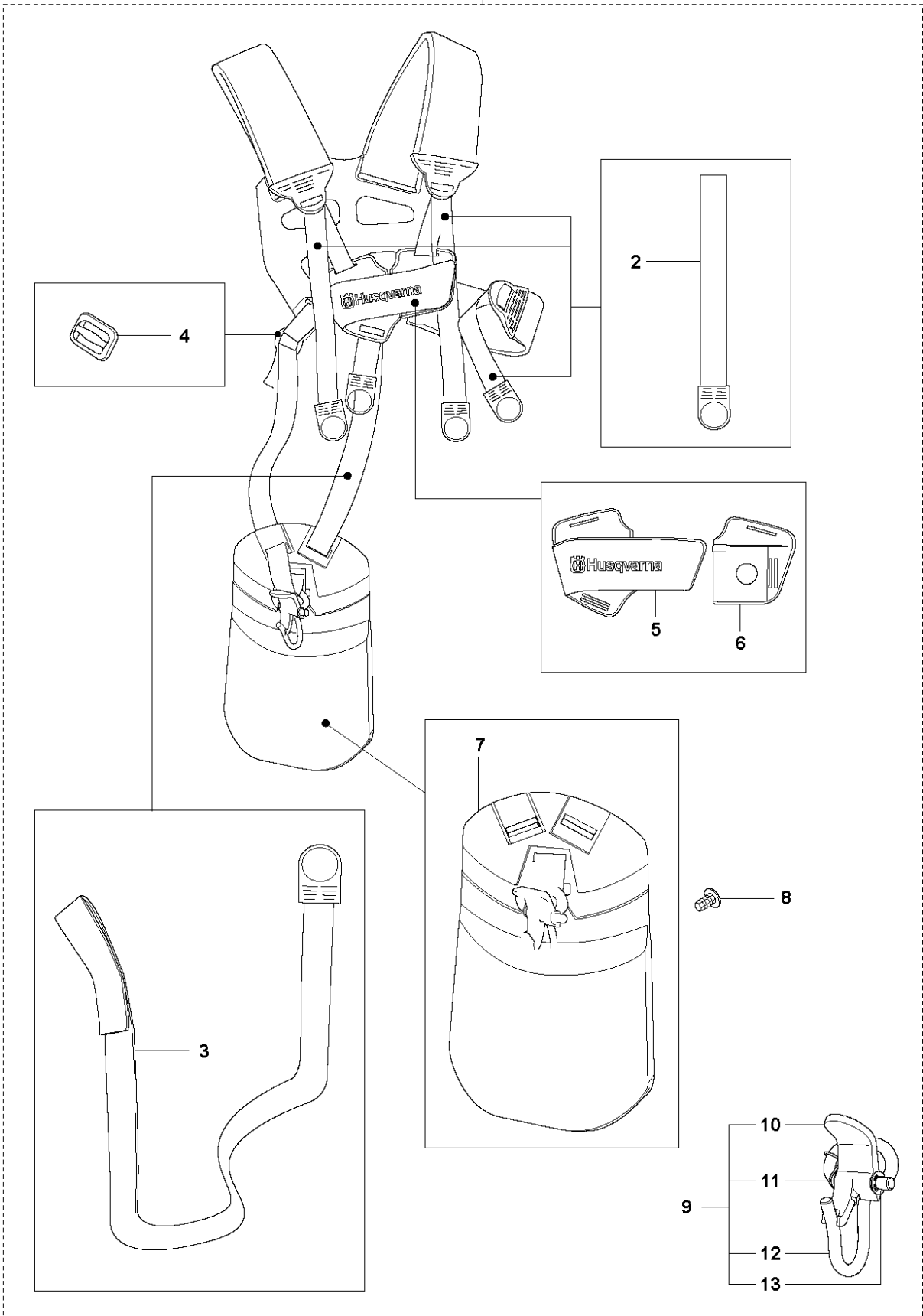
ACCESSORIES

241 R, 20144900001-Current

Ref	Part No	Description	Remark	QTY KIT
1	531 00 92-48	FILTER OIL	1.0 lit	1
2	503 80 17-01	GREASE		1
3	503 97 64-01	GREASE		1
4	501 19 22-01	TOOL		1
5	502 28 59-01	STOP		1
6	537 36 21-01	COMBINATION WRENCH		1
7	503 89 01-02	SUPPORT CUP		1
8	502 26 23-01	TRIMMER GUARD ASSY	300 mm	1
9	537 31 29-01	TRANSPORT GUARD	200-275 mm	1
10	537 12 99-04	BAR COVER		2
11	501 04 37-01	GRASS BLADE		1
12	528 81 81-01	SUPPORT CUP		1
13	537 21 62-01	HARNESS		1

S DUO BALANCE HARNESS

1



HARNES

241 R, 20144900001-Current

Ref	Part No	Description	Remark	QTY KIT	
1	537 27 57-02	HARNES	DUO BALANCE Incl. Pos. 2-13	1	
2	503 99 61-01	BAND		3	1
3	503 99 61-03	BAND		1	1
4	537 11 35-01	RETAINER		1	1
5	537 28 84-01	BUCKLE		1	1
6	537 28 83-01	BUCKLE		1	1
7	537 27 59-01	HIP PAD		1	1
8	537 17 54-01	HIP PAD		3	1
9	502 02 28-05	WELT HOOK	Incl. Pos. 10-13	1	1
10	502 02 30-02	LOCK		1	1, 8
11	586 34 10-01	SPRING		1	1, 8
12	502 02 29-02	HOOK		1	1, 8
13	735 31 09-20	E-CLIP		1	1, 8