

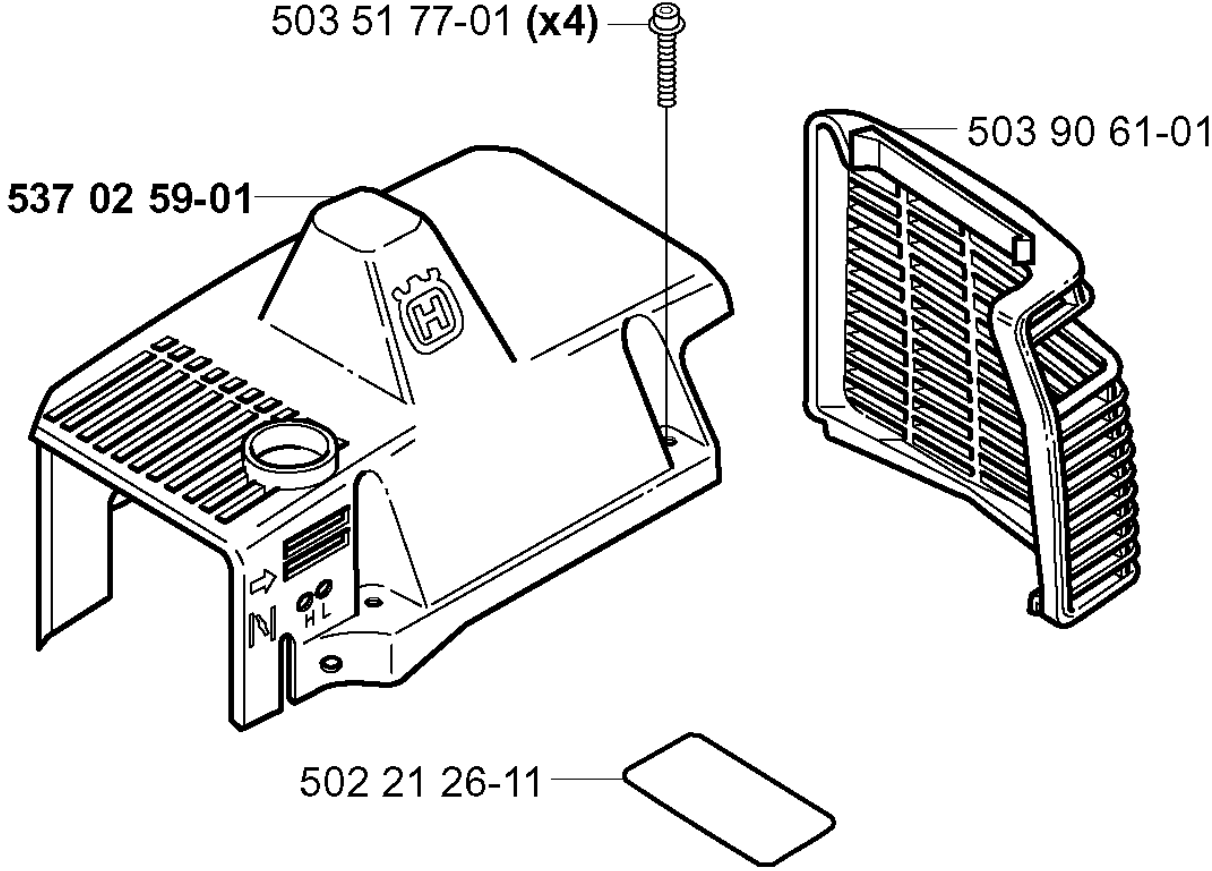


# SPARE PARTS LIST

BRUSHCUTTERS/CLEARING SAWS

240 RBD, 20004000001-Current

# C

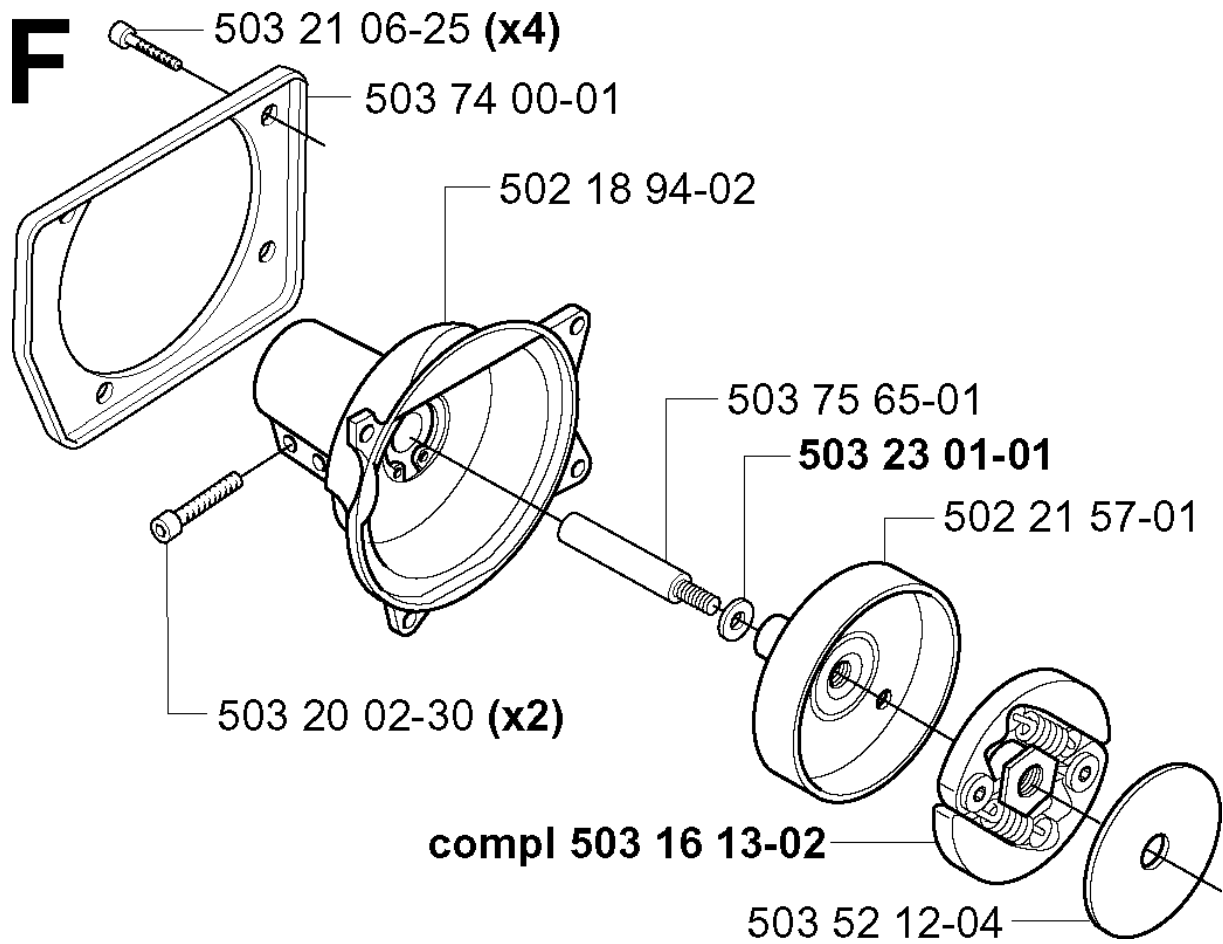


502 21 26-11 — **240RBD**  
**H Husqvarna**

## CYLINDER COVER

240 RBD, 20004000001-Current

Part No	Description	Remark	QTY KIT
502 21 26-11	DECAL		1
502 21 26-11	DECAL		1
503 51 77-01	LABEL		4
503 90 61-01	HEAT PROTECTOR		1
537 02 59-01	CYLINDER COVER		1



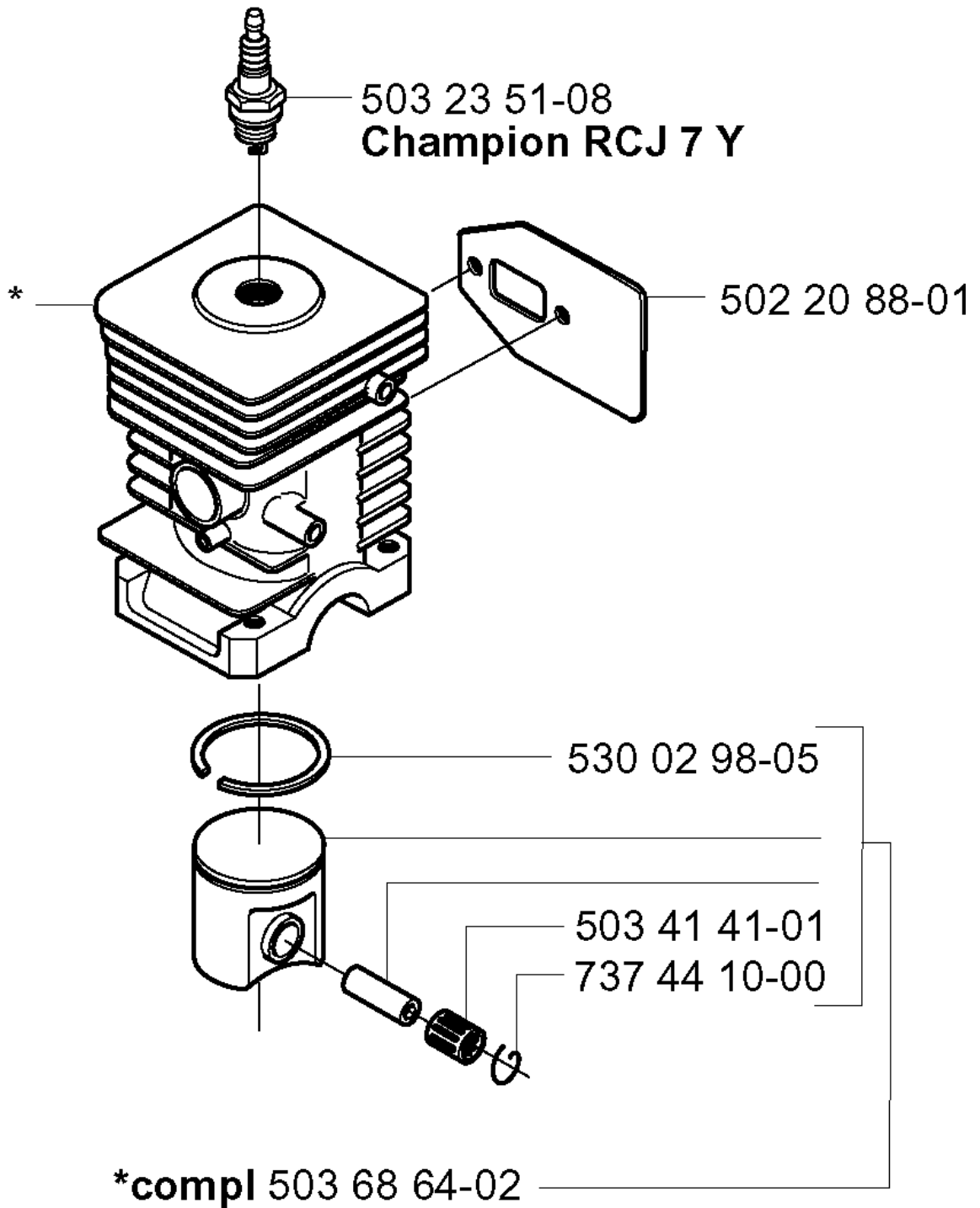
## CLUTCH

240 RBD, 20004000001-Current

Part No	Description	Remark	QTY KIT
502 18 94-02	CLUTCH COVER ASSY		1
502 21 57-01	CLUTCH DRUM ASSY		1
503 16 13-02	CLUTCH ASSY		1
503 20 02-30	SCREW IHSCFM		2
503 21 06-25	SCREW IHSCFT		4
503 23 01-01	WASHER		1
503 52 12-04	WASHER		1
503 74 00-01	COVER		1
503 75 65-01	ADAPTER		1

**D**

**\*compl 503 69 46-01**

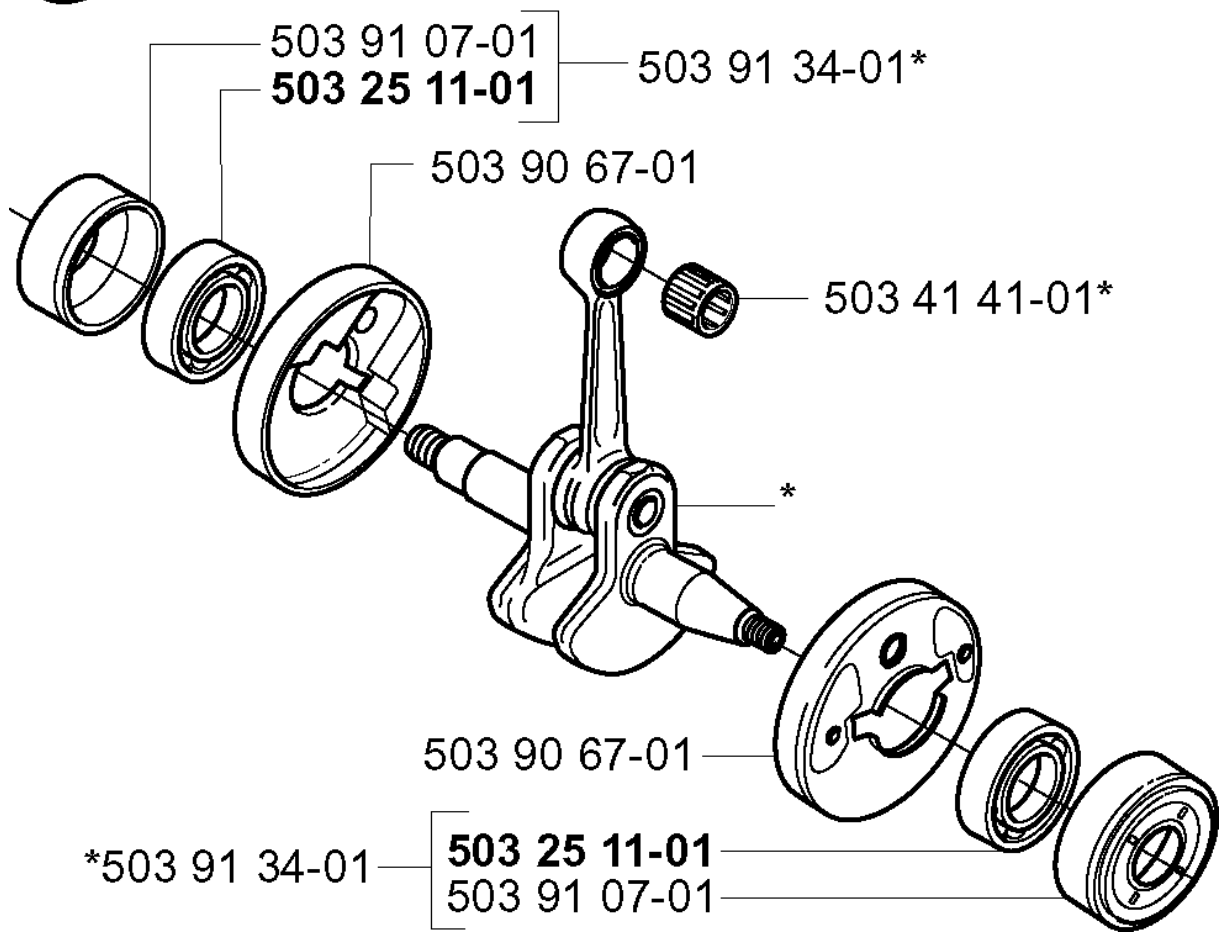


## CYLINDER PISTON

240 RBD, 20004000001-Current

Part No	Description	Remark	QTY KIT
502 20 88-01	GASKET		1
503 23 51-08	SPARK PLUG	CHAMPION RCJ 7 Y	1
503 41 41-01	NEEDLE BEARING		1
503 68 64-02	PISTON ASSY		1
503 69 46-01	PISTON		1
530 02 98-05	PISTON RING		1
737 44 10-00	SNAP RING		1

**G** \*compl 502 21 28-04



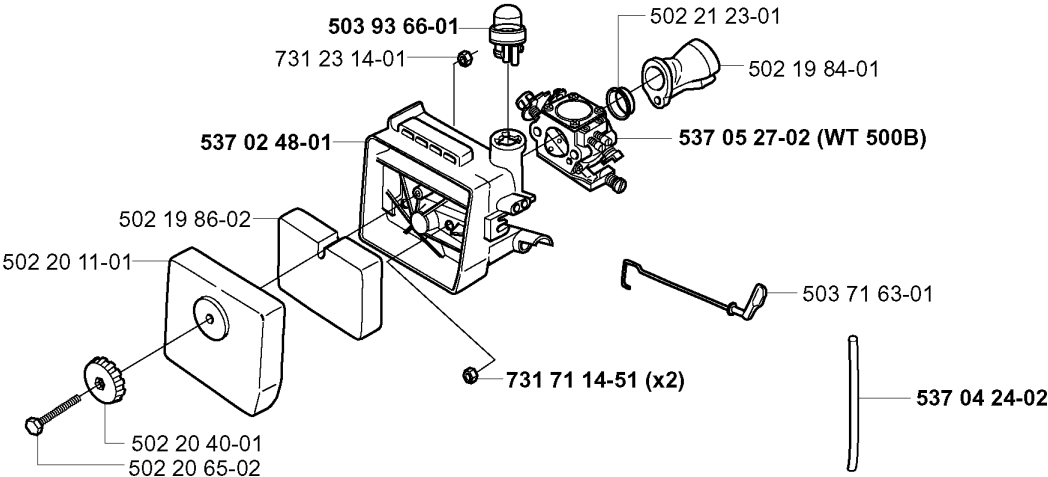


## CRANKSHAFT

240 RBD, 20004000001-Current

Part No	Description	Remark	QTY KIT
502 21 28-04	CRANKSHAFT ASSY		1
503 25 11-01	BALL BEARING		1
503 25 11-01	BALL BEARING		1
503 41 41-01	NEEDLE BEARING		1
503 90 67-01	CUP		1
503 90 67-01	CUP		1
503 91 07-01	BEARING CAGE		1
503 91 07-01	BEARING CAGE		1
503 91 34-01	BEARING CAGE		1
503 91 34-01	BEARING CAGE		1

**K**



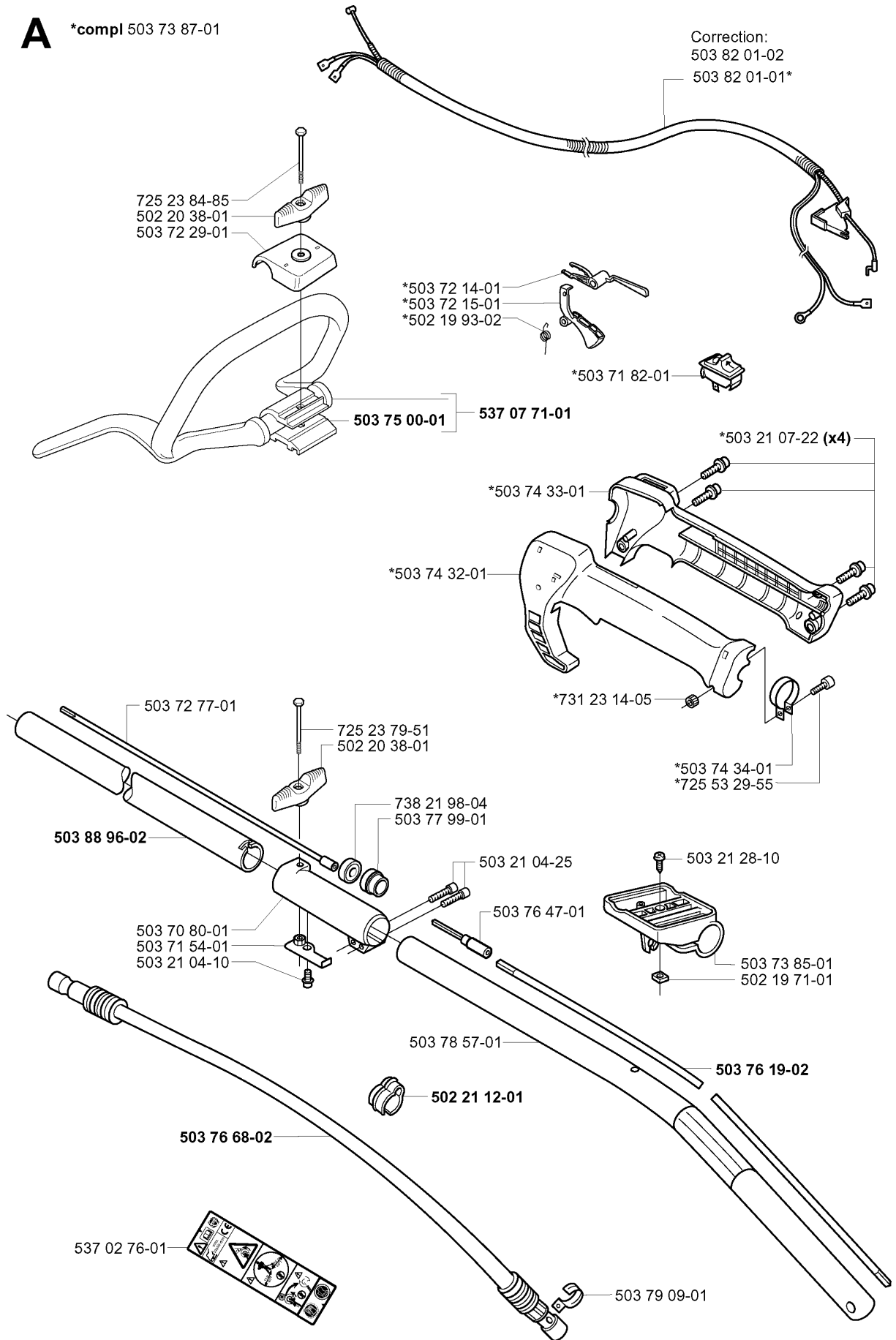
## CARBURETOR &amp; AIR FILTER

240 RBD, 20004000001-Current

Part No	Description	Remark	QTY KIT
502 19 84-01	INLET PIPE		1
502 19 86-02	AIR FILTER		1
502 20 11-01	FILTER COVER		1
502 20 40-01	KNOB		1
502 20 65-02	SCREW EHHM		1
502 21 23-01	SUPPORT RING		1
503 71 63-01	CHOKE CONTROL		1
503 93 66-01	PURGE		1
537 02 48-01	FILTER HOLDER		1
537 04 24-02	FUEL HOSE		1
537 05 27-02	CARBURETTOR	WT 500B	1
731 23 14-01	HEXAGON NUT		1
731 71 14-51	HEXAGON NUT FLANGE		2

**A**

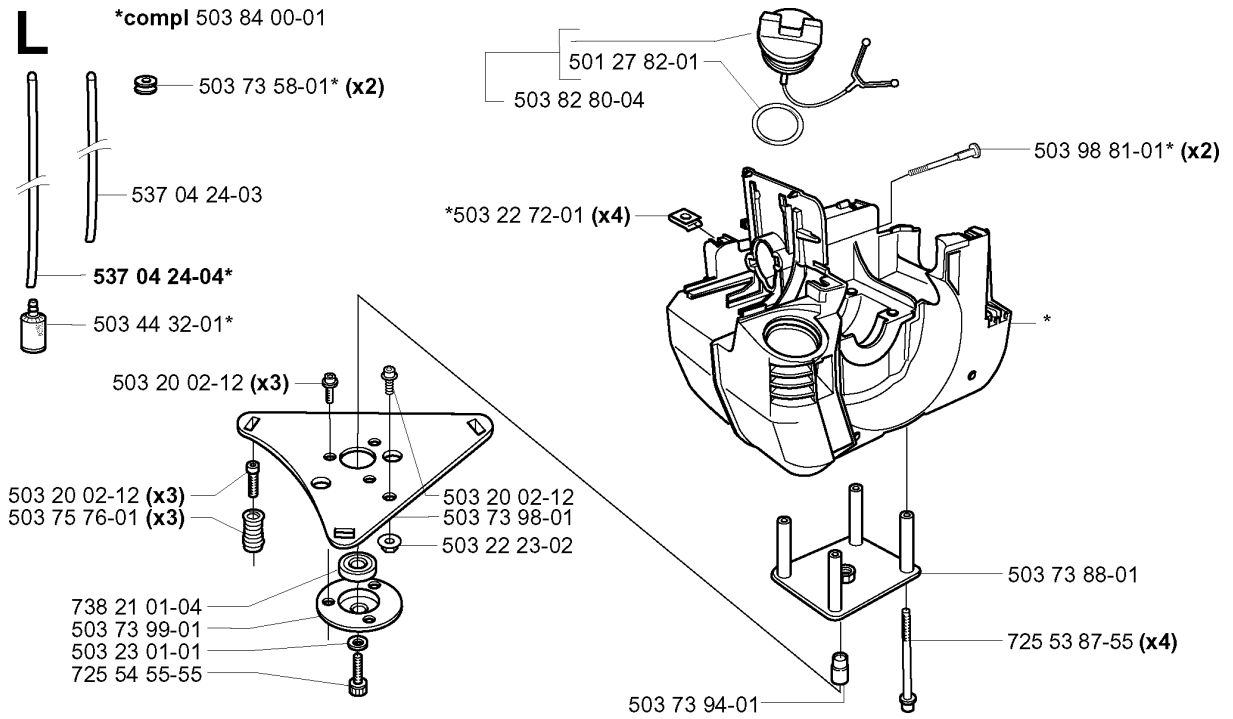
\*compl 503 73 87-01



## SHAFT &amp; HANDLE

240 RBD, 20004000001-Current

Part No	Description	Remark	QTY KIT
502 19 71-01	SQUARE NUT		1
502 19 93-02	SPRING		1
502 20 38-01	KNOB		1
502 20 38-01	KNOB		1
502 21 12-01	STAPLE		1
503 21 04-10	SCREW IHSCFTT		1
503 21 04-25	SCREW IHSCFTT		1
503 21 07-22	SCREW IHSC		4
503 21 28-10	SCREW CCRPANT		1
503 70 80-01	COMPRESSION SLEEVE		1
503 71 54-01	LOCKING PLATE		1
503 71 82-01	SWITCH		1
503 72 14-01	THROTTLE LOCKOUT		1
503 72 15-01	THROTTLE TRIGGER		1
503 72 29-01	COVER		1
503 72 77-01	DRIVE SHAFT ASSY		1
503 73 85-01	BRACKET		1
503 73 87-01	CONTROL		1
503 74 32-01	HANDLE HALF		1
503 74 33-01	HANDLE HALF		1
503 74 34-01	CLIP		1
503 75 00-01	HANDLEBAR BRACKET		1
503 76 19-02	SHAFT FLEXIBLE		1
503 76 47-01	ADAPTER		1
503 76 68-02	HOUSING		1
503 77 99-01	BEARING CAGE		1
503 78 57-01	TUBE		1
503 79 09-01	CIRCLIP		1
503 82 01-02	WIRING		1
503 88 96-02	TUBE		1
537 02 76-01	LABEL		1
537 07 71-01	HANDLE		1
725 23 79-51	SCREW EHHM		1
725 23 84-85	SCREW EHHM		1
725 53 29-55	SCREW IHSCM		1
731 23 14-05	HEXAGON NUT		1
738 21 98-04	BALL BEARING		1

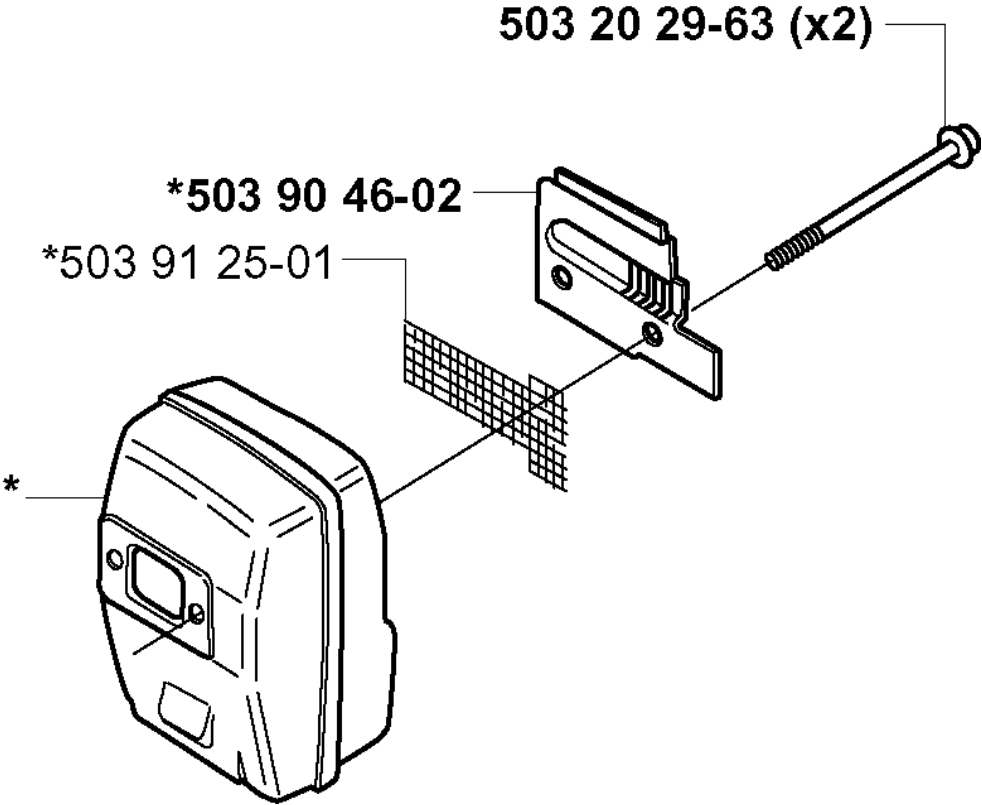


## CRANKCASE

240 RBD, 20004000001-Current

Part No	Description	Remark	QTY KIT
501 27 82-01	GASKET		1
503 20 02-12	SCREW IHSCFM		3
503 20 02-12	SCREW IHSCFM		3
503 20 02-12	SCREW IHSCFM		1
503 22 23-02	LOCK NUT		1
503 22 72-01	SPEED NUT		4
503 23 01-01	WASHER		1
503 44 32-01	FUEL FILTER		1
503 73 58-01	BUSHING		2
503 73 88-01	BRACKET		1
503 73 94-01	SHAFT		1
503 73 98-01	BACKING PLATE		1
503 73 99-01	BEARING CAGE		1
503 75 76-01	SPRING		3
503 82 80-04	TANK CAP ASSY		1
503 84 00-01	CRANKCASE		1
503 98 81-01	SCREW		2
537 04 24-03	FUEL HOSE		1
537 04 24-04	FUEL HOSE		1
725 53 87-55	SCREW		4
725 54 55-55	SCREW IHSCM		1
738 21 01-04	BALL BEARING		1

**E** \*compl 503 90 47-02



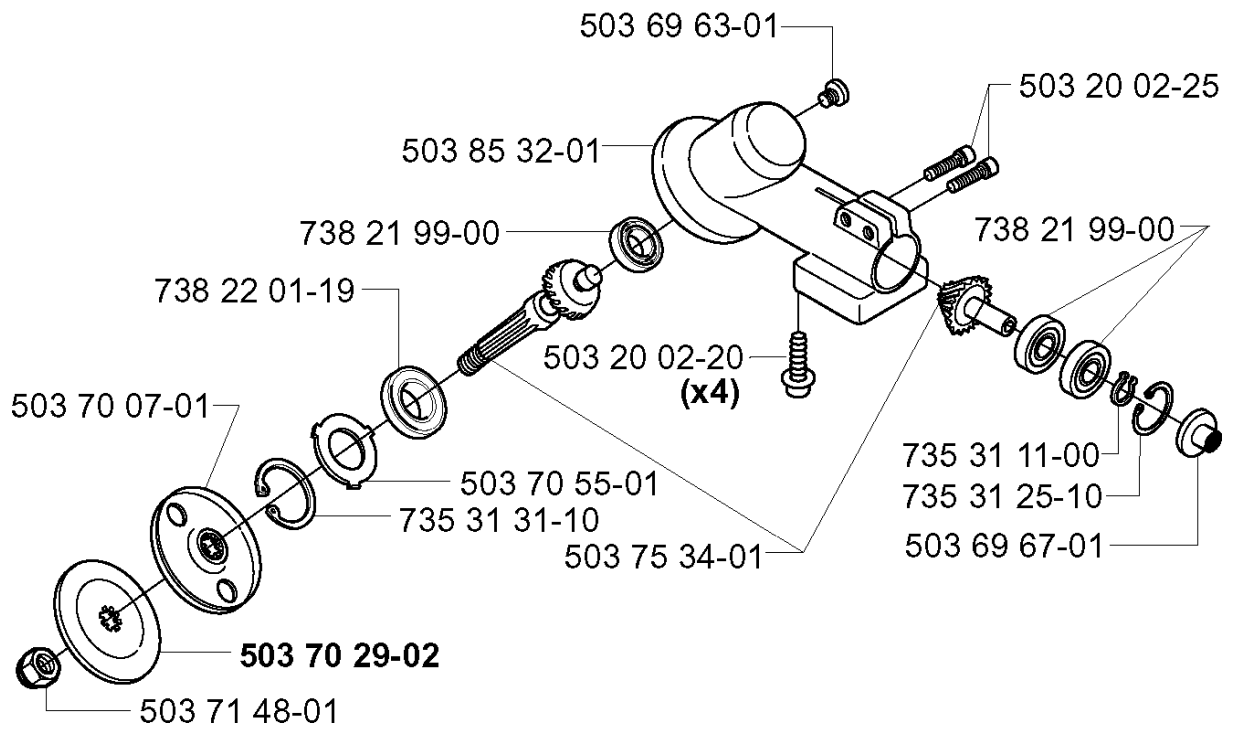


MUFFLER

240 RBD, 20004000001-Current

Part No	Description	Remark	QTY KIT
503 20 29-63	SCREW IHSCFM		2
503 90 46-02	EXHAUST DUCT		1
503 90 47-02	MUFFLER ASSY		1
503 91 25-01	SPARK ARRESTER SCREEN		1

# Q compl 502 21 92-04



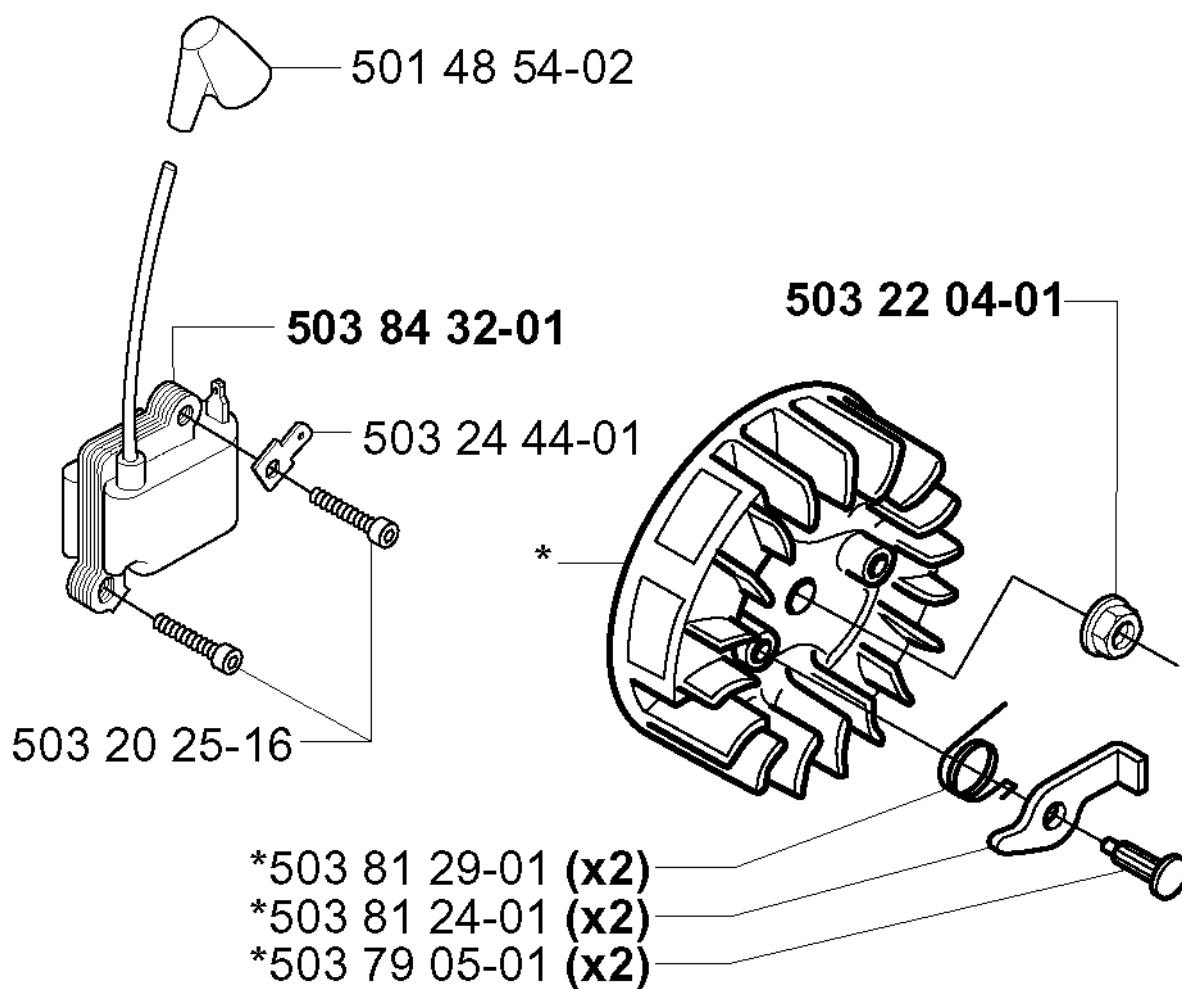
## BEVEL GEAR

240 RBD, 20004000001-Current

Part No	Description	Remark	QTY KIT
502 21 92-04	GEAR		1
503 20 02-20	SCREW IHSCFM		4
503 20 02-25	SCREW IHSCFM		1
503 69 63-01	PLUG		1
503 69 67-01	GASKET RING UPPER		1
503 70 07-01	DRIVER		1
503 70 29-02	SUPPORT FLANGE		1
503 70 55-01	COVER WASHER		1
503 71 48-01	NUT BLADE		1
503 75 34-01	GEAR WHEEL		1
503 85 32-01	GEAR HOUSING		1
735 31 11-00	CIRCLIP		1
735 31 25-10	CIRCLIP		1
735 31 31-10	CIRCLIP		1
738 21 99-00	BALL BEARING		1
738 21 99-00	BALL BEARING		1
738 22 01-19	BALL BEARING		1

**H**

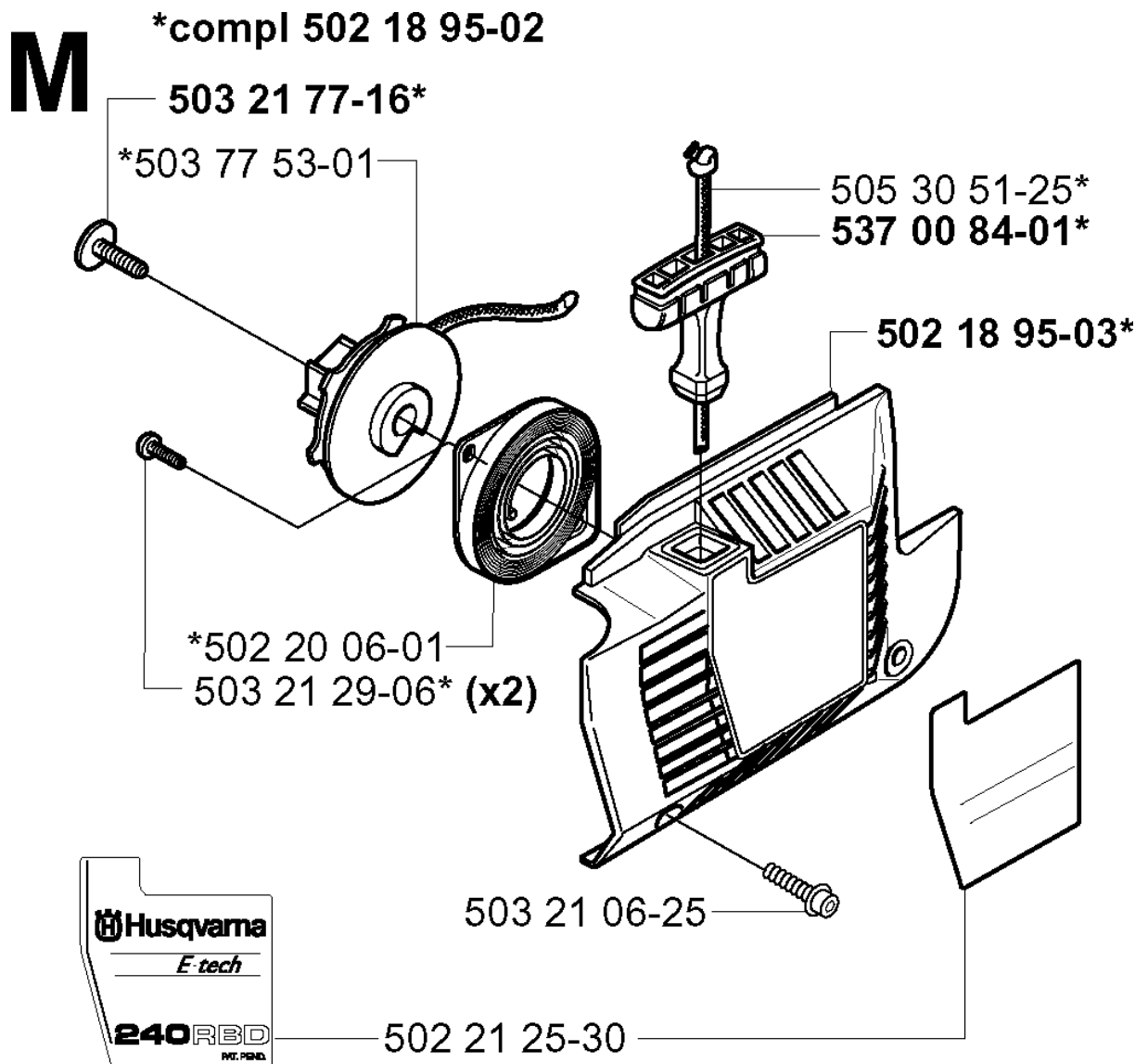
**\*compl 503 79 06-01**



## IGNITION SYSTEM

240 RBD, 20004000001-Current

Part No	Description	Remark	QTY KIT
501 48 54-02	SPARK PLUG CAP		1
503 20 25-16	SCREW IHSCM		1
503 22 04-01	NUT		1
503 24 44-01	FLAT PIN		1
503 79 05-01	RIVET		2
503 79 06-01	FLYWHEEL		1
503 81 24-01	STARTER PAWL		2
503 81 29-01	SPRING		2
503 84 32-01	IGNITION MODULE		1



## STARTER

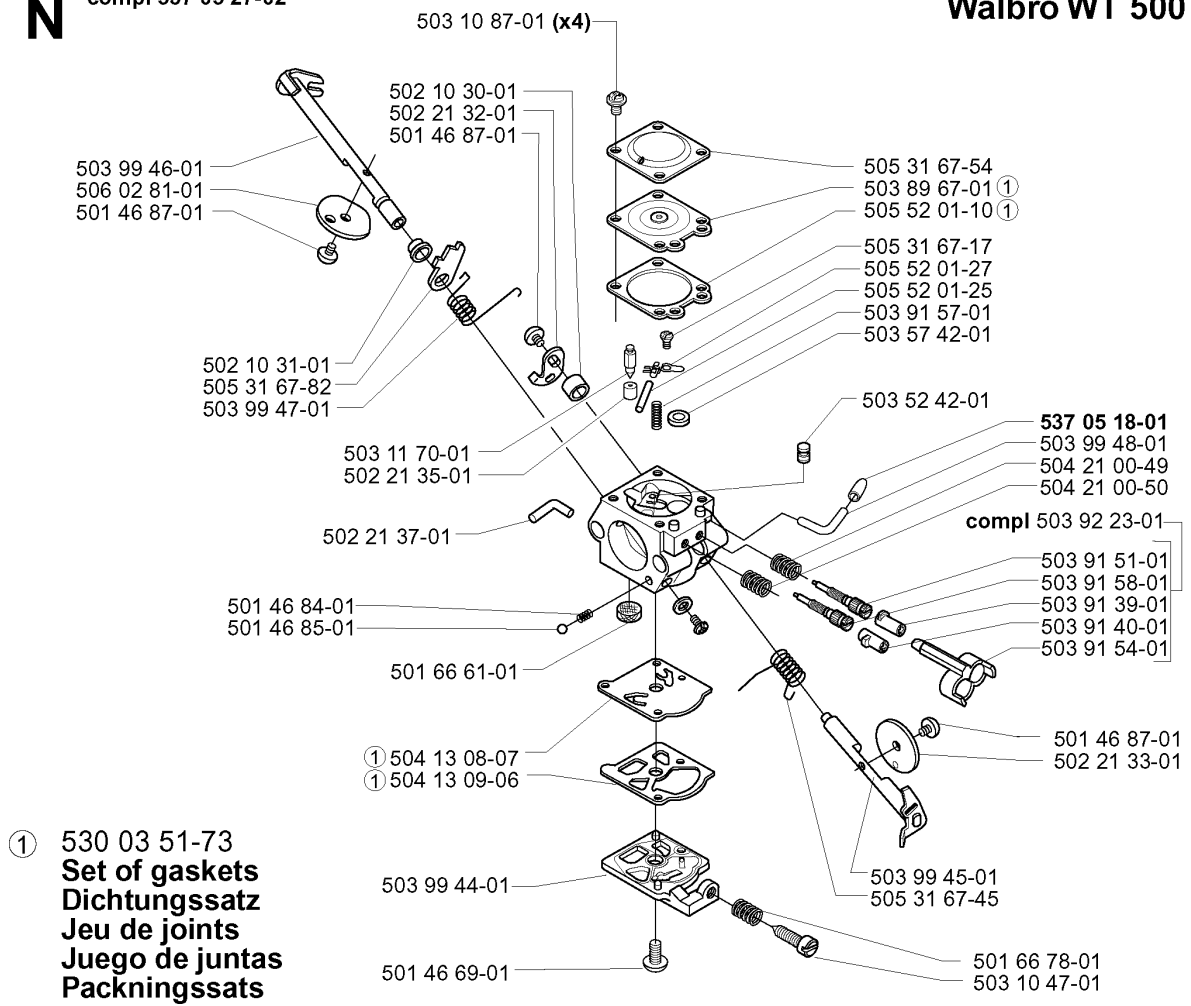
240 RBD, 20004000001-Current

Part No	Description	Remark	QTY KIT
502 18 95-02	STARTER		1
502 18 95-03	STARTER		1
502 20 06-01	SPRING CASSETTE ASSY		1
502 21 25-30	LABEL		1
503 21 06-25	SCREW IHSCFT		1
503 21 29-06	SCREW CCRPANT		2
503 21 77-16	SCREW IHSCFT		1
503 77 53-01	STARTER PULLEY		1
505 30 51-25	STARTER CORD		1
537 00 84-01	STARTER HANDLE		1

**N**

compl 537 05 27-02

**Walbro WT 500 B**



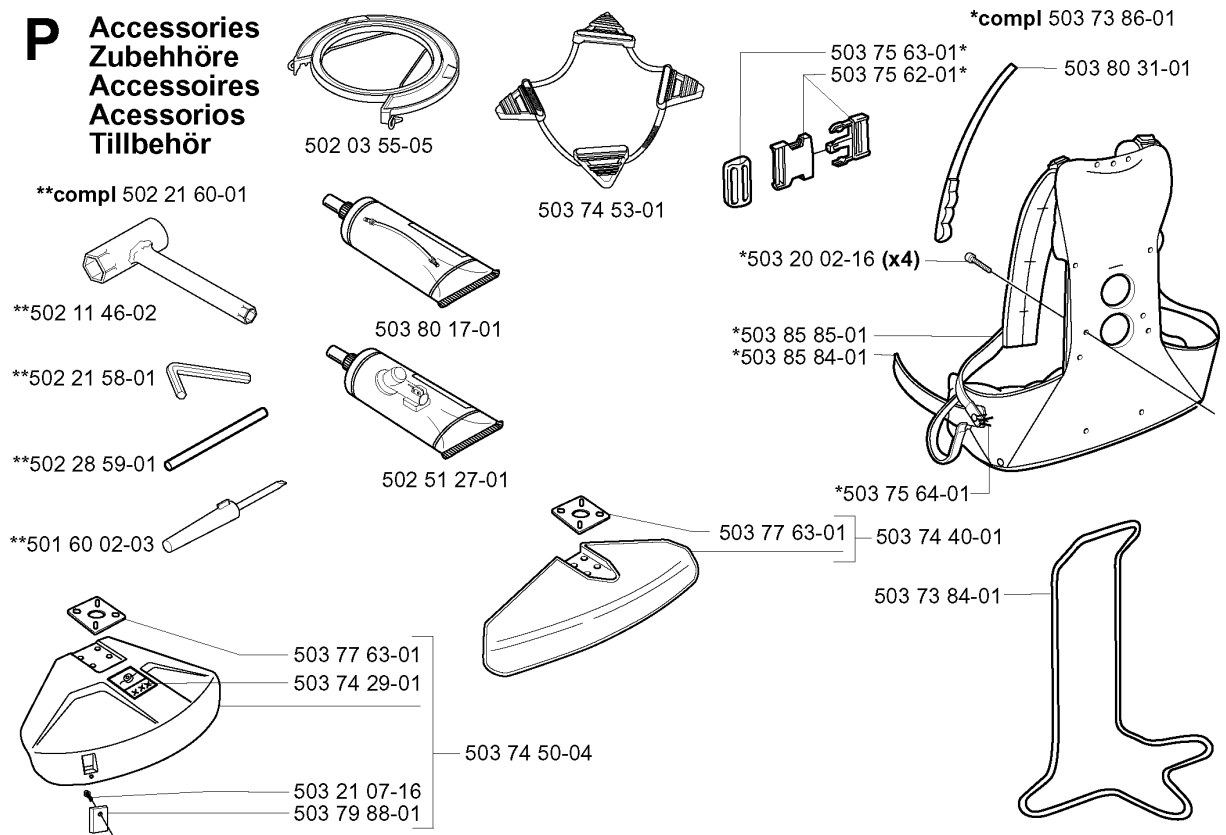


## CARBURETOR DETAILS

240 RBD, 20004000001-Current

Part No	Description	Remark	QTY KIT
501 46 69-01	SCREW		1
501 46 84-01	SPRING		1
501 46 85-01	BALL		1
501 46 87-01	SCREW		1
501 46 87-01	SCREW		1
501 46 87-01	SCREW		1
501 66 61-01	SCREEN		1
501 66 78-01	SPRING		1
502 10 30-01	DISTANCE		1
502 10 31-01	BUSHING		1
502 21 32-01	LEVER THROTTLE		1
502 21 33-01	VALVE THROTTLE		1
502 21 35-01	SEAT INLET VALVE		1
502 21 37-01	FITTING		1
503 10 47-01	SCREW		1
503 10 87-01	SCREW		4
503 11 70-01	NEEDLE VALVE		1
503 52 42-01	NOZZLE ASSY		1
503 57 42-01	PLUG		1
503 89 67-01	DIAPHRAGM	530 03 51-73 SET OF GASKETS	1
503 91 39-01	LIMITER CAP		1
503 91 40-01	LIMITER CAP		1
503 91 51-01	NEEDLE		1
503 91 54-01	RETAINER		1
503 91 57-01	SPRING		1
503 91 58-01	NEEDLE		1
503 92 23-01	LIMITER CAP		1
503 99 44-01	COVER		1
503 99 45-01	SHAFT ASSY		1
503 99 46-01	SHAFT ASSY		1
503 99 47-01	SPRING		1
503 99 48-01	FITTING		1
504 13 08-07	DIAPHRAGM PUMP	530 03 51-73 SET OF GASKETS	1
504 13 09-06	GASKET	530 03 51-73 SET OF GASKETS	1
504 21 00-49	SPRING		1
504 21 00-50	SPRING		1
505 31 67-17	SCREW		1
505 31 67-45	SPRING		1
505 31 67-54	LOCK STYRMEMBRAN		1
505 31 67-82	LEVER		1
505 52 01-10	GASKET	530 03 51-73 SET OF GASKETS	1
505 52 01-25	PIN		1
505 52 01-27	LEVER		1
506 02 81-01	VALVE		1
537 05 18-01	PLUG		1
537 05 27-02	CARBURETTOR		1

**P** Accessories  
Zubehöre  
Accessoires  
Acessorios  
Tillbehör



## ACCESSORIES

240 RBD, 20004000001-Current

Part No	Description	Remark	QTY KIT
501 60 02-03	SCREWDRIVER		1
502 03 55-05	TRANSPORT GUARD		1
502 11 46-02	SOCKET WRENCH		1
502 21 58-01	WRENCH		1
502 21 60-01	ACCESSORY BAG		1
502 28 59-01	STOP		1
502 51 27-01	GREASE		1
503 20 02-16	SCREW IHSCFM		4
503 21 07-16	SCREW IHST		1
503 73 84-01	FRAME		1
503 73 86-01	HARNESS		1
503 74 29-01	DECAL		1
503 74 40-01	BLADE GUARD		1
503 74 50-04	TRIMMER GUARD		1
503 74 53-01	TRANSPORT GUARD		1
503 75 62-01	LOCK		1
503 75 63-01	BUCKLE		1
503 75 64-01	HAIR PIN COTTER		1
503 77 63-01	BASEPLATE		1
503 77 63-01	BASEPLATE		1
503 79 88-01	BLADE		1
503 80 17-01	GREASE		1
503 80 31-01	STRAP		1
503 85 84-01	BELT		1
503 85 85-01	BAND		1