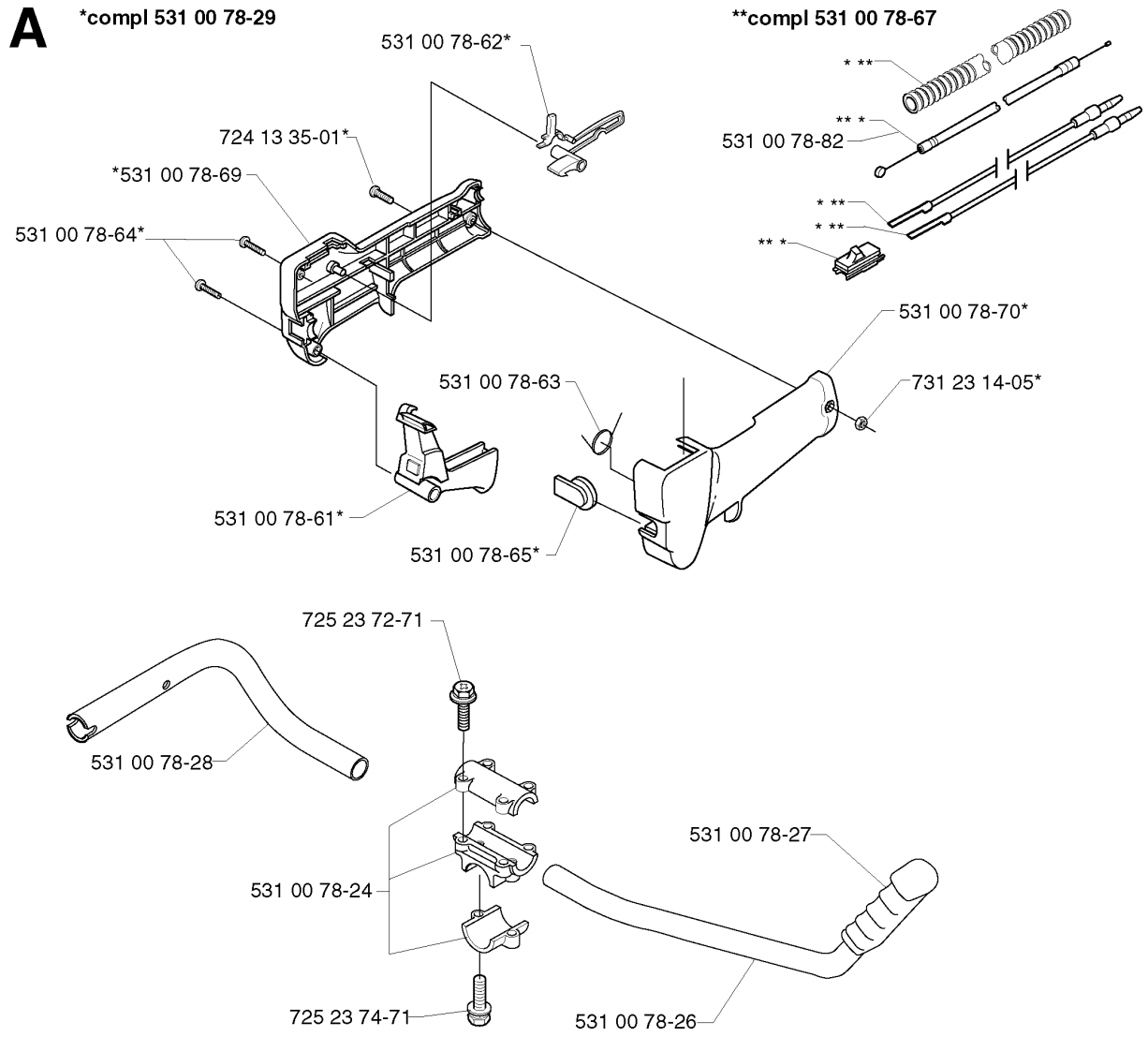




SPARE PARTS LIST

BRUSHCUTTERS/CLEARING SAWS

142 R, 20001900001-Current

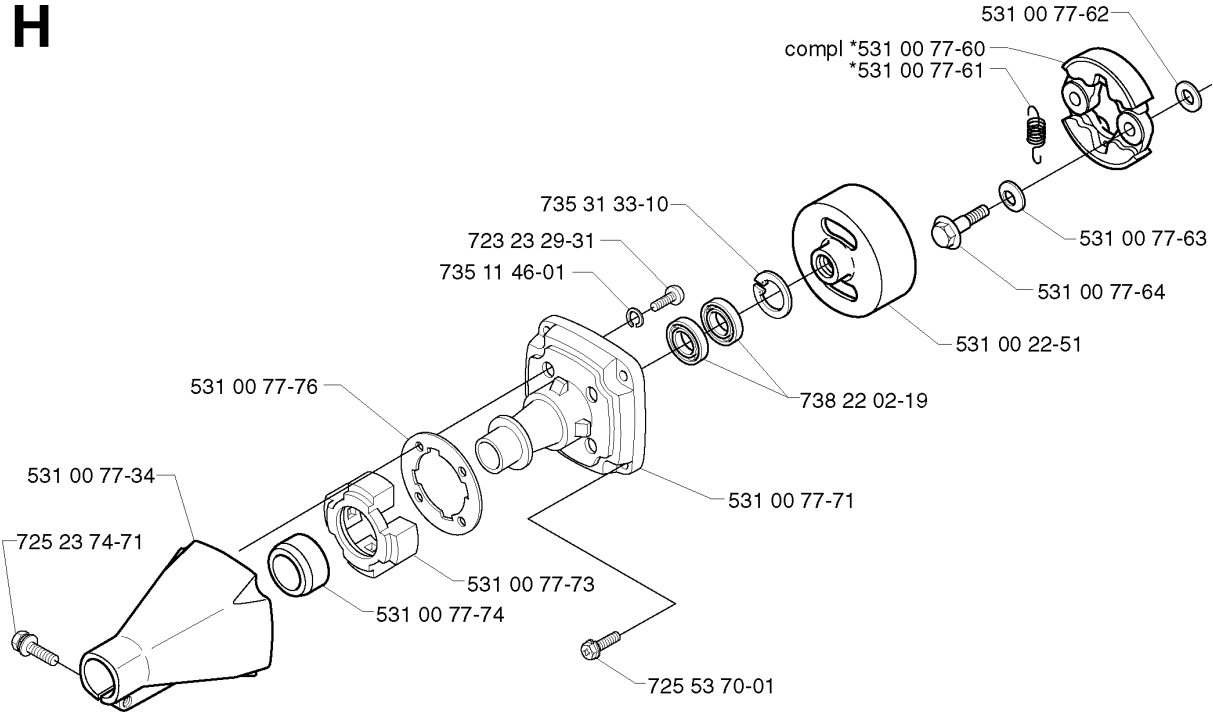


HANDLE & CONTROLS

142 R, 20001900001-Current

Part No	Description	Remark	QTY KIT
531 00 78-24	HOLDER		1
531 00 78-26	HANDLE		1
531 00 78-27	HANDLE		1
531 00 78-28	HANDLE		1
531 00 78-29	HANDLE ASSY		1
531 00 78-61	LEVER		1
531 00 78-62	THROTTLE LOCK		1
531 00 78-63	RETURN SPRING		1
531 00 78-64	SCREW		1
531 00 78-65	COVER		1
531 00 78-67	CABLE ASSY		1
531 00 78-69	HANDLE		1
531 00 78-70	HANDLE		1
531 00 78-82	WIRE		1
724 13 35-01	SCREW CRPANM		1
725 23 72-71	SCREW EHHM		1
725 23 74-71	SCREW EHHM		1
731 23 14-05	HEXAGON NUT		1

H

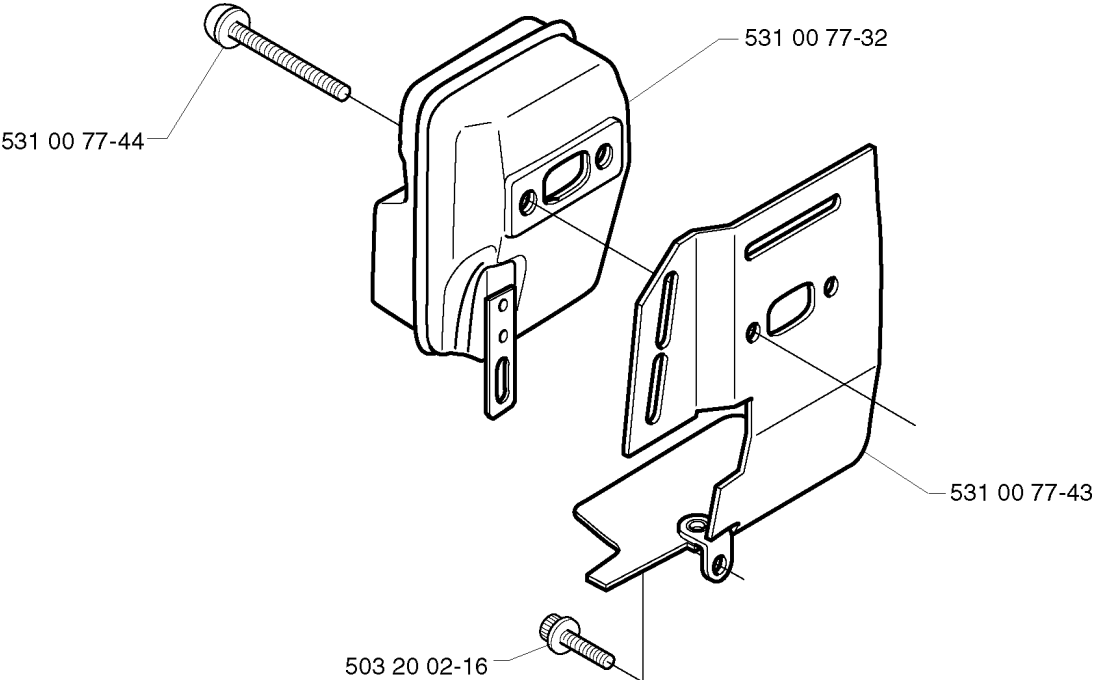


CLUTCH

142 R, 20001900001-Current

Part No	Description	Remark	QTY KIT
531 00 22-51	CLUTCH DRUM		1
531 00 77-34	CLUTCH COVER		1
531 00 77-60	CLUTCH		1
531 00 77-61	SPRING		1
531 00 77-62	WASHER		1
531 00 77-63	WASHER		1
531 00 77-64	SCREW		1
531 00 77-71	CLUTCH COVER		1
531 00 77-73	BUMPER		1
531 00 77-74	BUMPER		1
531 00 77-76	WASHER		1
723 23 29-31	SCREW SLPANM		1
725 23 74-71	SCREW EHHM		1
725 53 70-01	SCREW IHSCM		1
735 11 46-01	SPRING WASHER		1
735 31 33-10	CIRCLIP		1
738 22 02-19	BALL BEARING		1

B

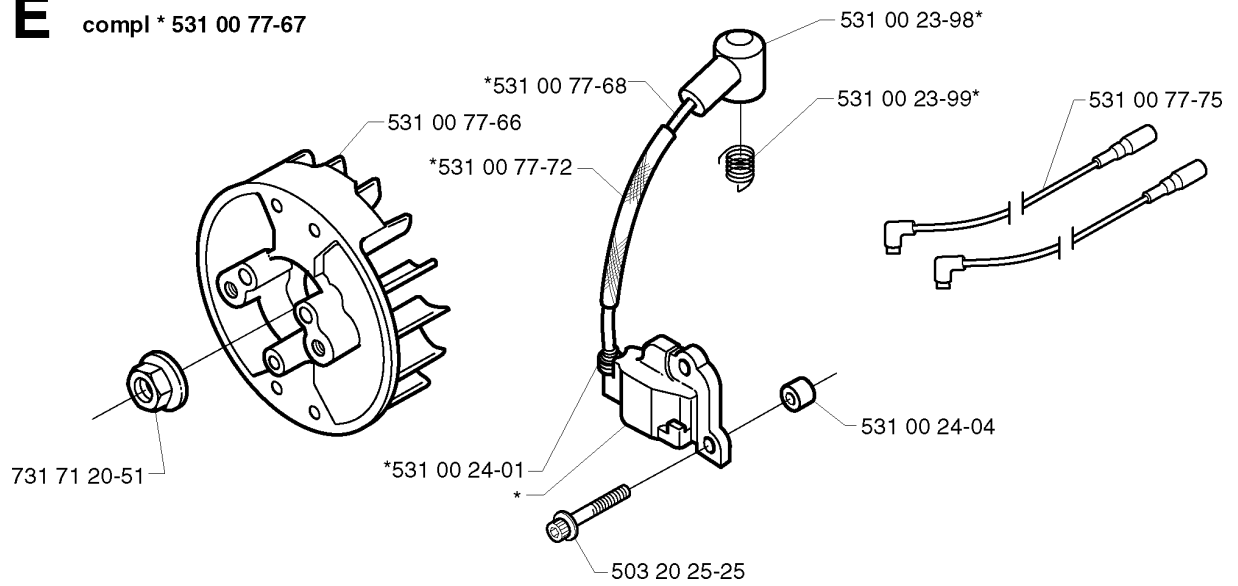


MUFFLER

142 R, 20001900001-Current

Part No	Description	Remark	QTY KIT
503 20 02-16	SCREW IHSCFM		1
531 00 77-32	MUFFLER		1
531 00 77-43	DEFLECTOR		1
531 00 77-44	SCREW		1

E compl * 531 00 77-67

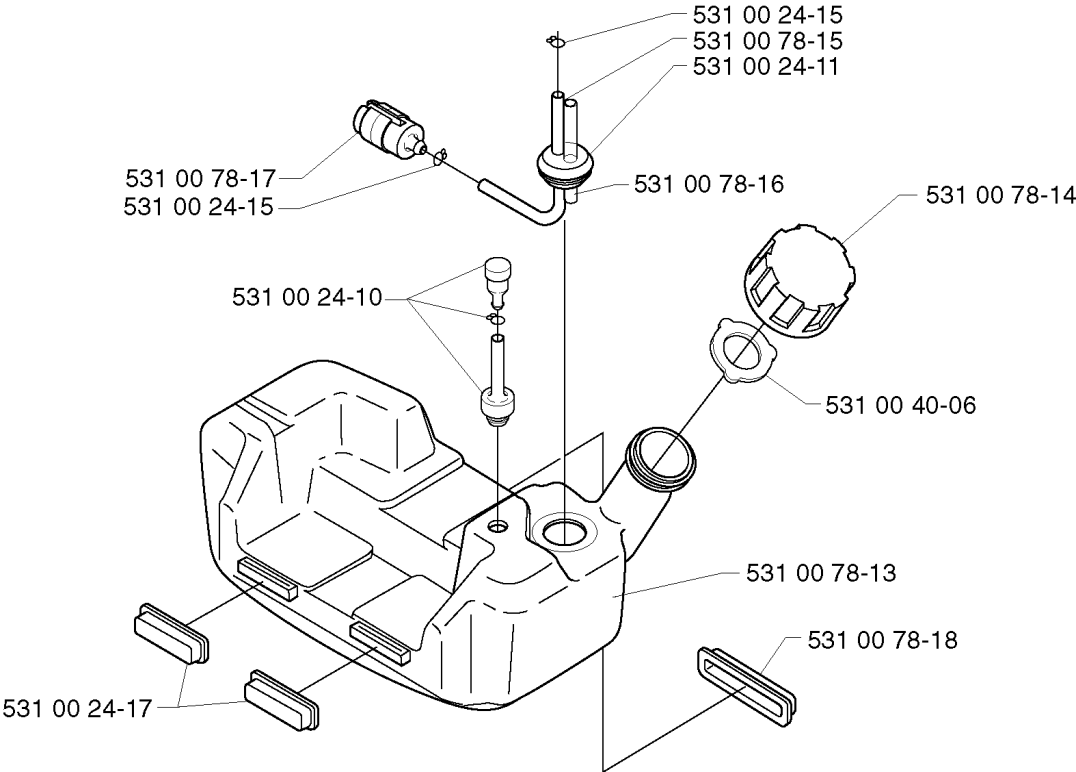


IGNITION SYSTEM

142 R, 20001900001-Current

Part No	Description	Remark	QTY KIT
503 20 25-25	SCREW IHSCM		1
531 00 23-98	SPARK PLUG CONNECTION		1
531 00 23-99	SPRING		1
531 00 24-01	SLEEVE		1
531 00 24-04	SPACER		1
531 00 77-66	FLYWHEEL		1
531 00 77-67	IGNITION MODULE		1
531 00 77-68	CABLE		1
531 00 77-72	PROTECTOR		1
531 00 77-75	CABLE		1
731 71 20-51	HEXAGON NUT FLANGE		1

J

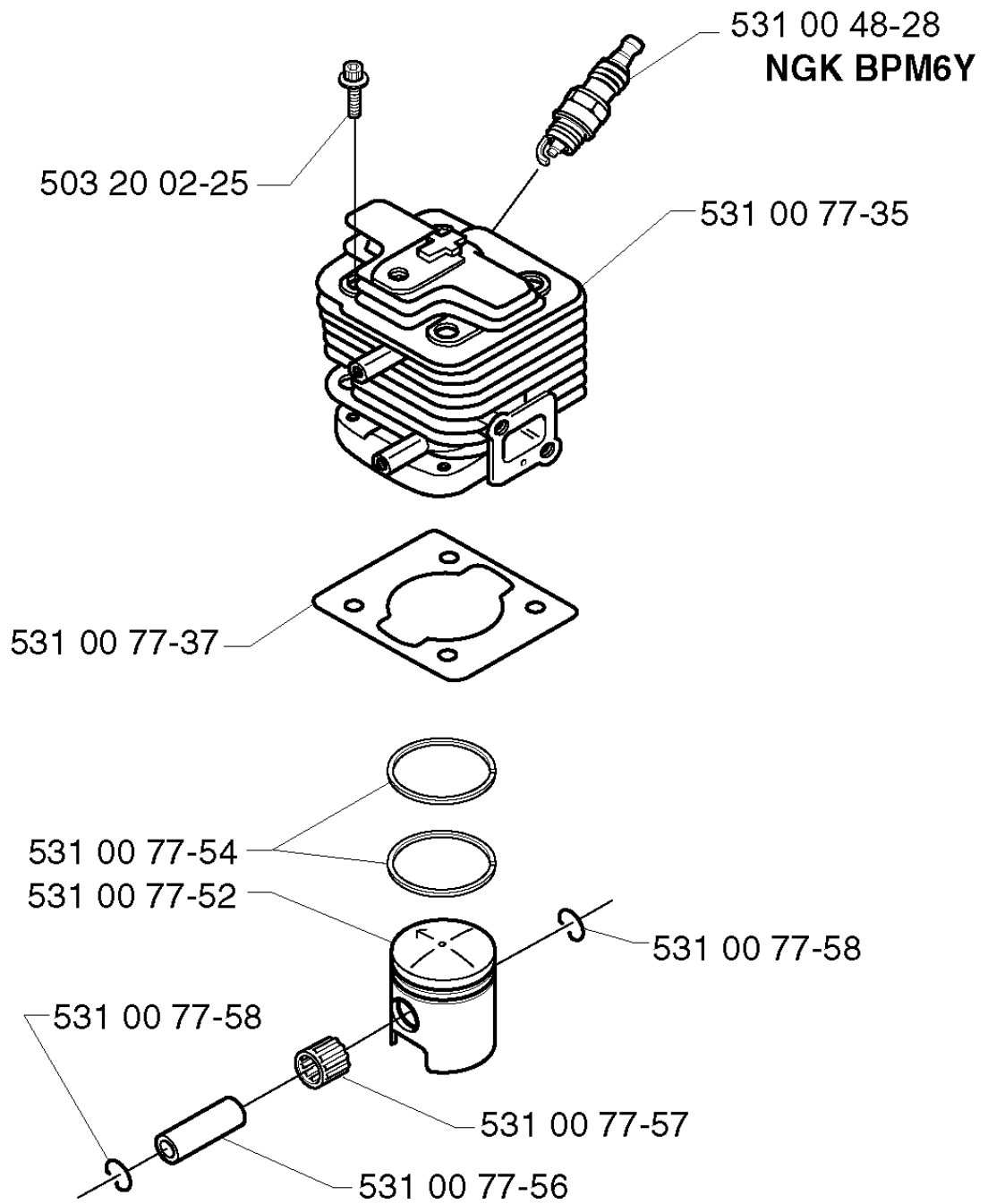


FUEL TANK

142 R, 20001900001-Current

Part No	Description	Remark	QTY KIT
531 00 24-10	VALVE		1
531 00 24-11	SLEEVE		1
531 00 24-15	CLIP		1
531 00 24-15	CLIP		1
531 00 24-17	PAD		1
531 00 40-06	GASKET		1
531 00 78-13	TANK UNIT		1
531 00 78-14	TANK CAP		1
531 00 78-15	HOSE		1
531 00 78-16	PIPE		1
531 00 78-17	FILTER		1
531 00 78-18	SLEEVE		1

C



CYLINDER PISTON

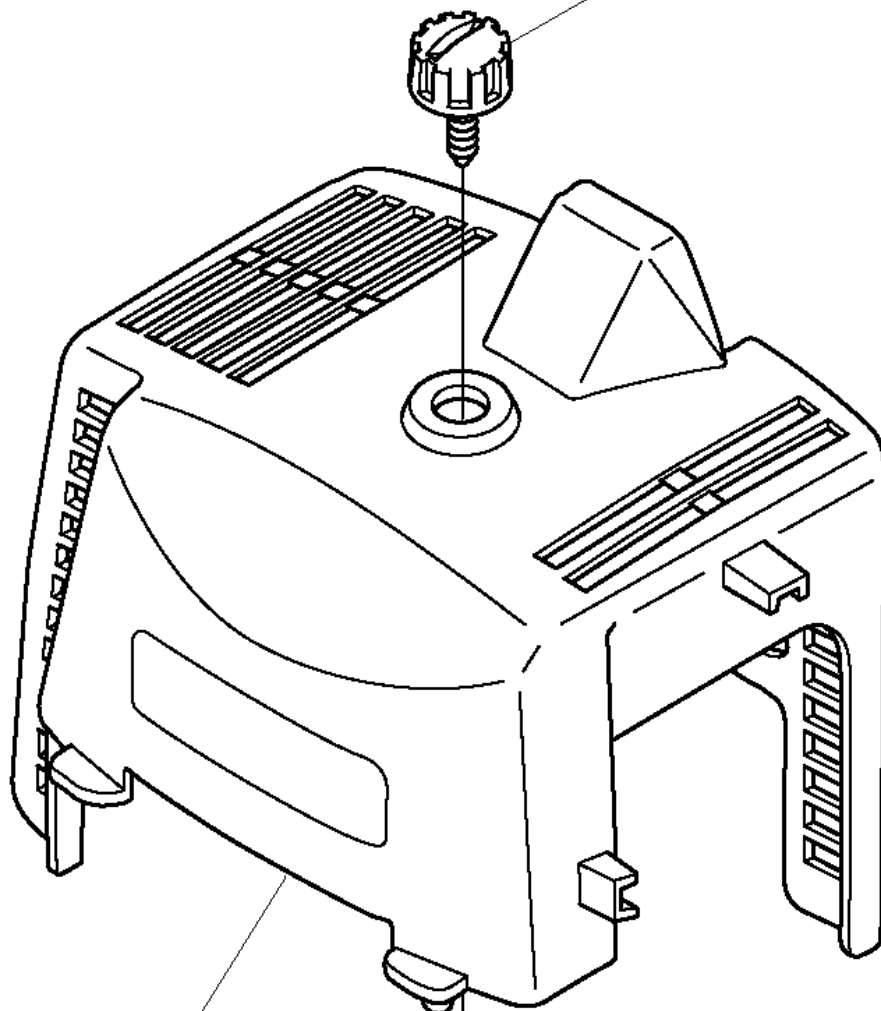
142 R, 20001900001-Current

Part No	Description	Remark	QTY KIT
503 20 02-25	SCREW IHSCFM		1
531 00 48-28	SPARK PLUG	NGK BPM6Y	1
531 00 77-35	CYLINDER		1
531 00 77-37	GASKET		1
531 00 77-52	PISTON		1
531 00 77-54	PISTON RING		1
531 00 77-56	PISTON BOLT		1
531 00 77-57	NEEDLE BEARING		1
531 00 77-58	RETAINER RING		1
531 00 77-58	RETAINER RING		1

D

compl. *531 00 77-45

*531 00 77-46



*

*531 00 77-47

*531 00 77-48

503 98 12-27

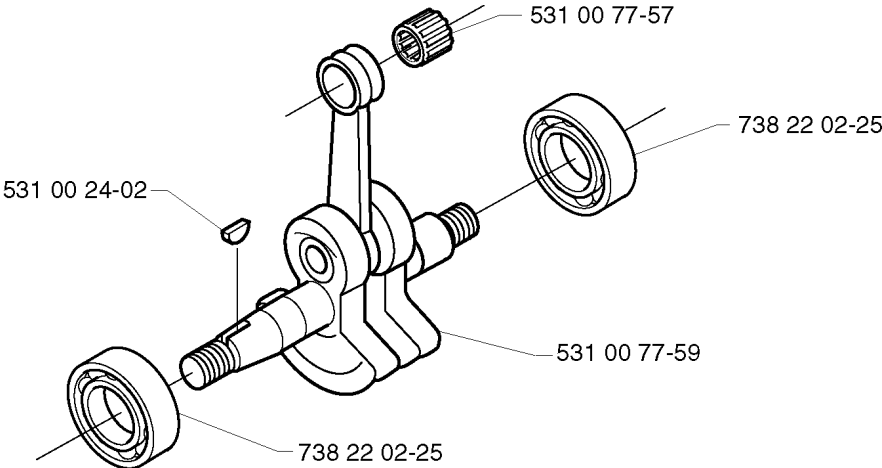


CYLINDER COVER

142 R, 20001900001-Current

Part No	Description	Remark	QTY KIT
503 98 12-27	LABEL		1
531 00 77-45	CYLINDER COVER		1
531 00 77-46	SCREW		1
531 00 77-47	RING		1
531 00 77-48	RETAINER RING		1

F



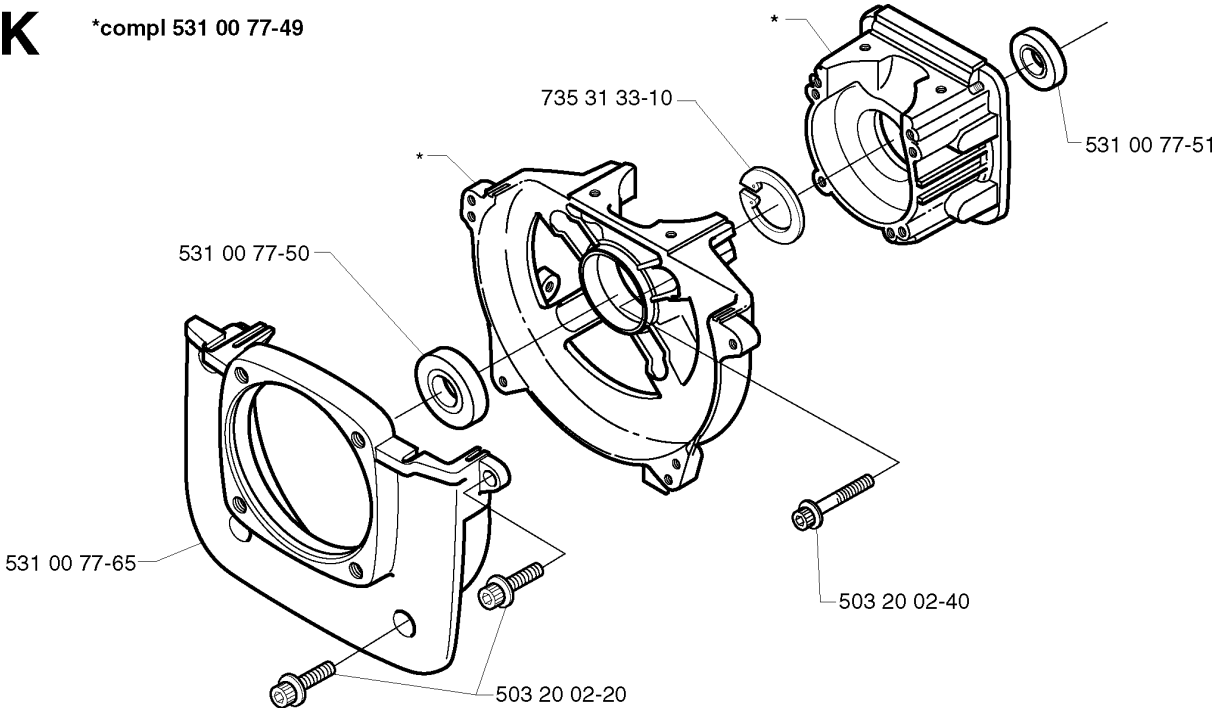
CRANKSHAFT

142 R, 20001900001-Current

Part No	Description	Remark	QTY KIT
531 00 24-02	KEY		1
531 00 77-57	NEEDLE BEARING		1
531 00 77-59	CRANKSHAFT		1
738 22 02-25	BALL BEARING		1
738 22 02-25	BALL BEARING		1

K

*compl 531 00 77-49

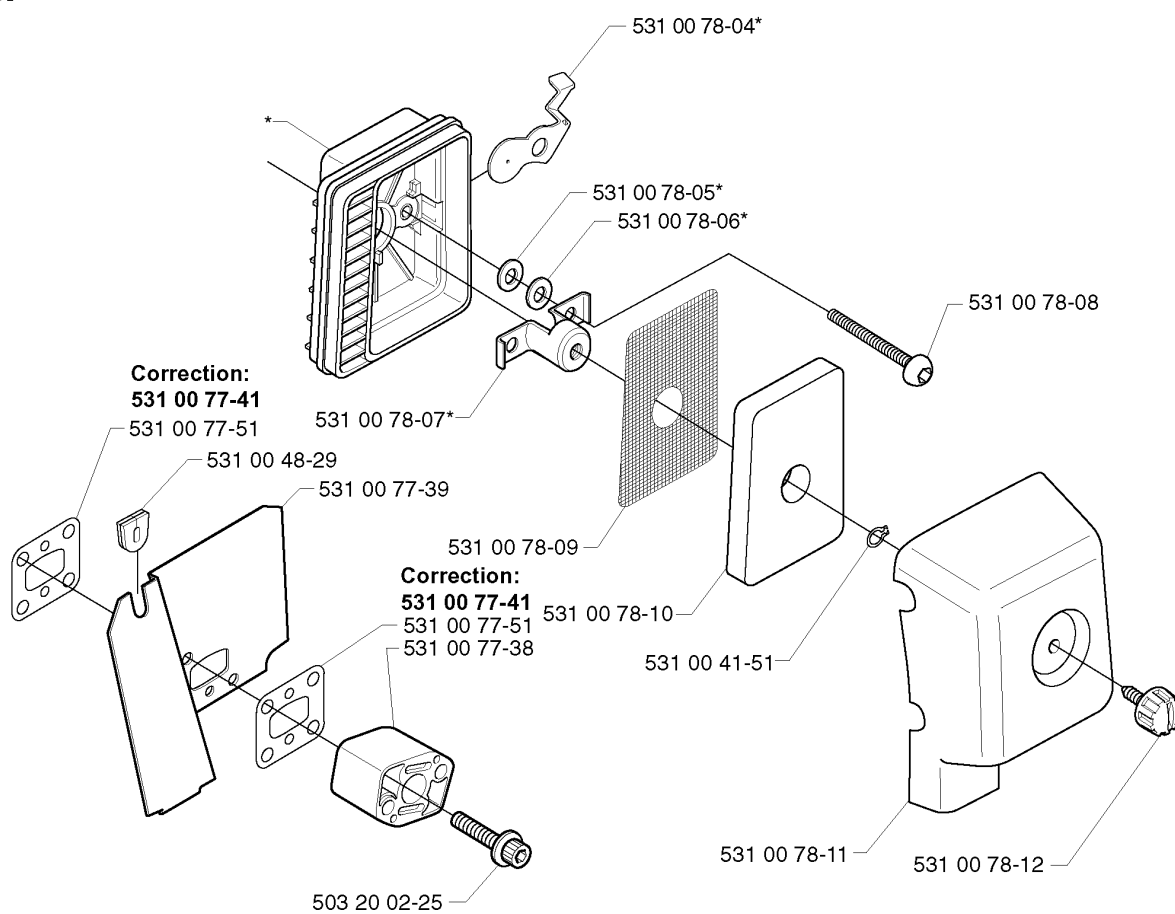


CRANKCASE

142 R, 20001900001-Current

Part No	Description	Remark	QTY KIT
503 20 02-20	SCREW IHSCFM		1
503 20 02-40	SCREW IHSCFM		1
531 00 77-49	CRANKCASE		1
531 00 77-50	SEALING RING		1
531 00 77-51	SEALING RING		1
531 00 77-65	HOUSING		1
735 31 33-10	CIRCLIP		1

G compl. *531 00 78-03

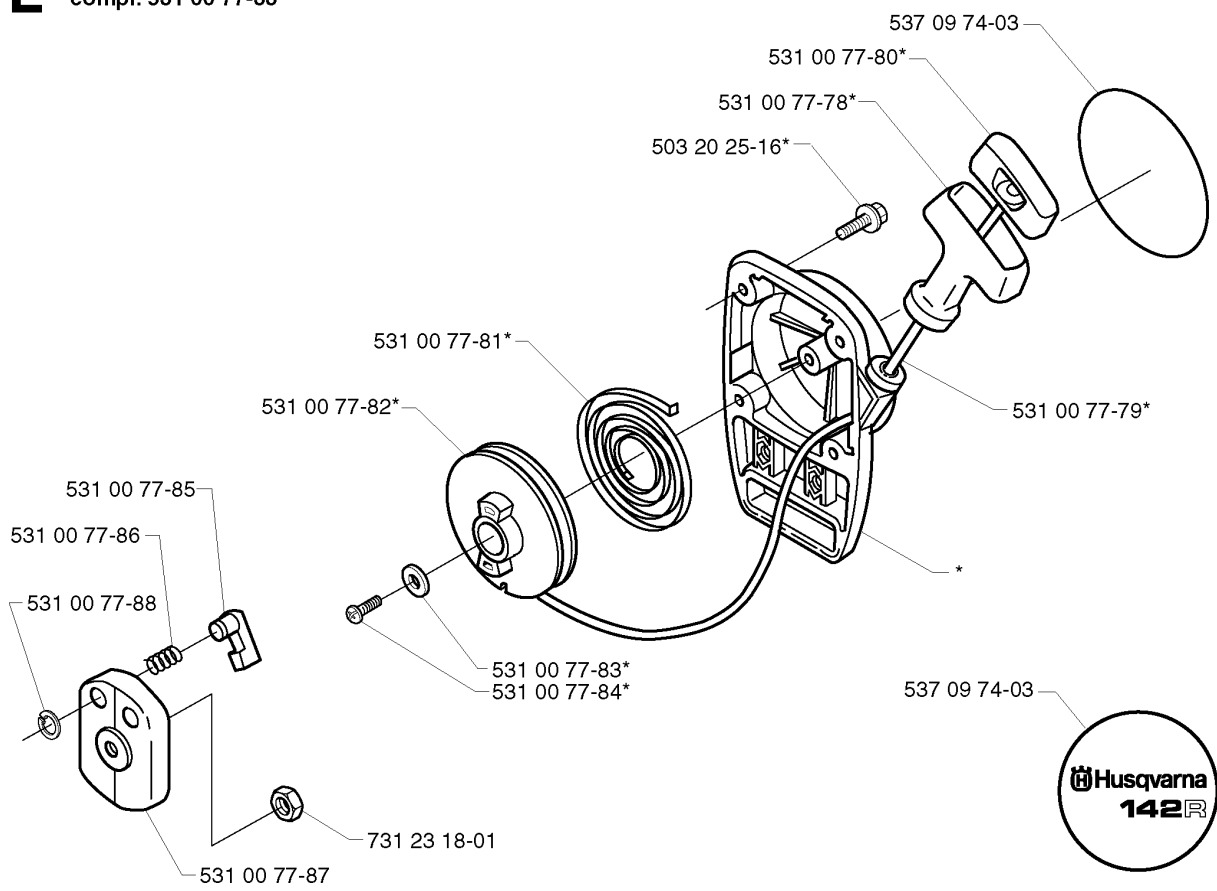


AIR FILTER

142 R, 20001900001-Current

Part No	Description	Remark	QTY KIT
503 20 02-25	SCREW IHSCFM		1
531 00 41-51	RETAINER RING		1
531 00 48-29	ATTACHMENT		1
531 00 77-38	SPACER		1
531 00 77-39	PROTECTOR		1
531 00 77-41	GASKET		1
531 00 77-41	GASKET		1
531 00 78-03	HOUSING		1
531 00 78-04	CHOKE FLAP		1
531 00 78-05	WASHER		1
531 00 78-06	RING		1
531 00 78-07	BRACKET		1
531 00 78-08	SCREW		1
531 00 78-09	SCREEN		1
531 00 78-10	AIR FILTER		1
531 00 78-11	COVER		1
531 00 78-12	SCREW		1

L *compl. 531 00 77-33

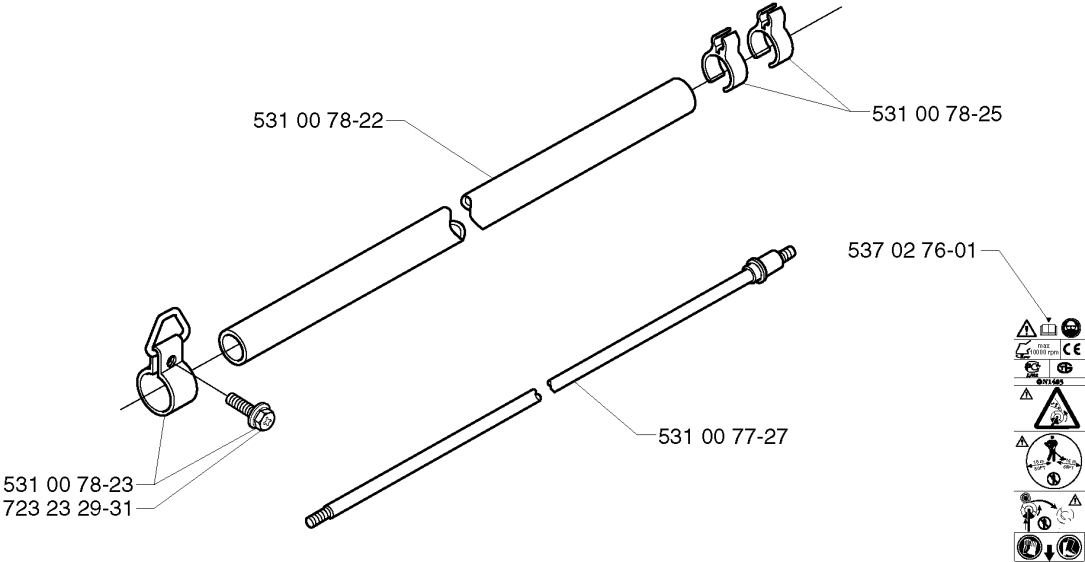


STARTER

142 R, 20001900001-Current

Part No	Description	Remark	QTY KIT
503 20 25-16	SCREW IHSCM		1
531 00 77-33	STARTER ASSY		1
531 00 77-78	HANDLE		1
531 00 77-79	STARTER ROPE		1
531 00 77-80	INSERT		1
531 00 77-81	RETURN SPRING		1
531 00 77-82	STARTER PULLEY		1
531 00 77-83	WASHER		1
531 00 77-84	SCREW		1
531 00 77-85	PAWL		1
531 00 77-86	SPRING		1
531 00 77-87	PLATE		1
531 00 77-88	RETAINER RING		1
537 09 74-03	DECAL		1
537 09 74-03	DECAL		1
731 23 18-01	HEXAGON NUT		1

N



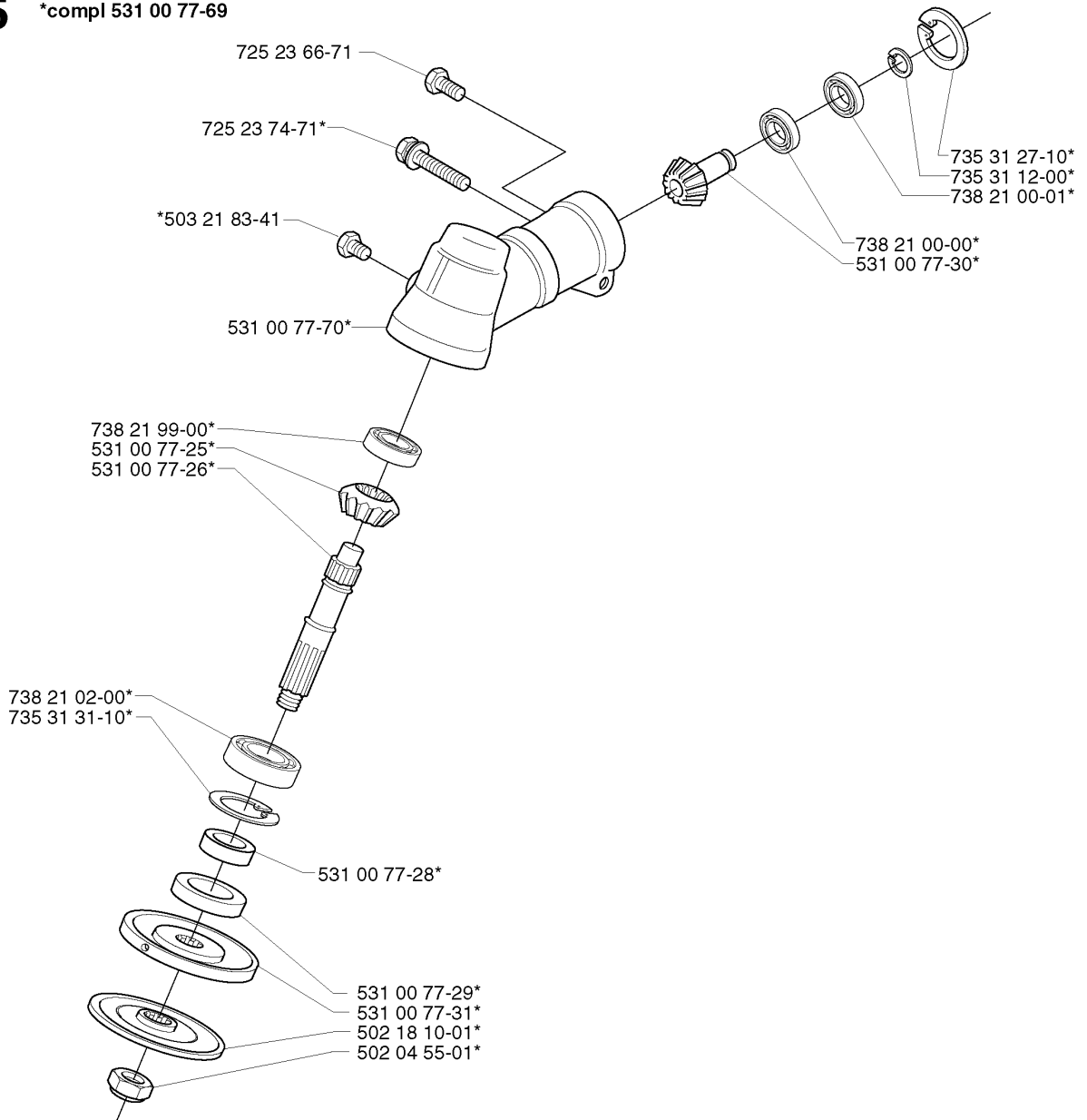
SHAFT

142 R, 20001900001-Current

Part No	Description	Remark	QTY KIT
531 00 77-27	SHAFT		1
531 00 78-22	TUBE		1
531 00 78-23	BRACKET		1
531 00 78-25	HOLDER		1
537 02 76-01	LABEL		1
723 23 29-31	SCREW SLPANM		1

S

*compl 531 00 77-69

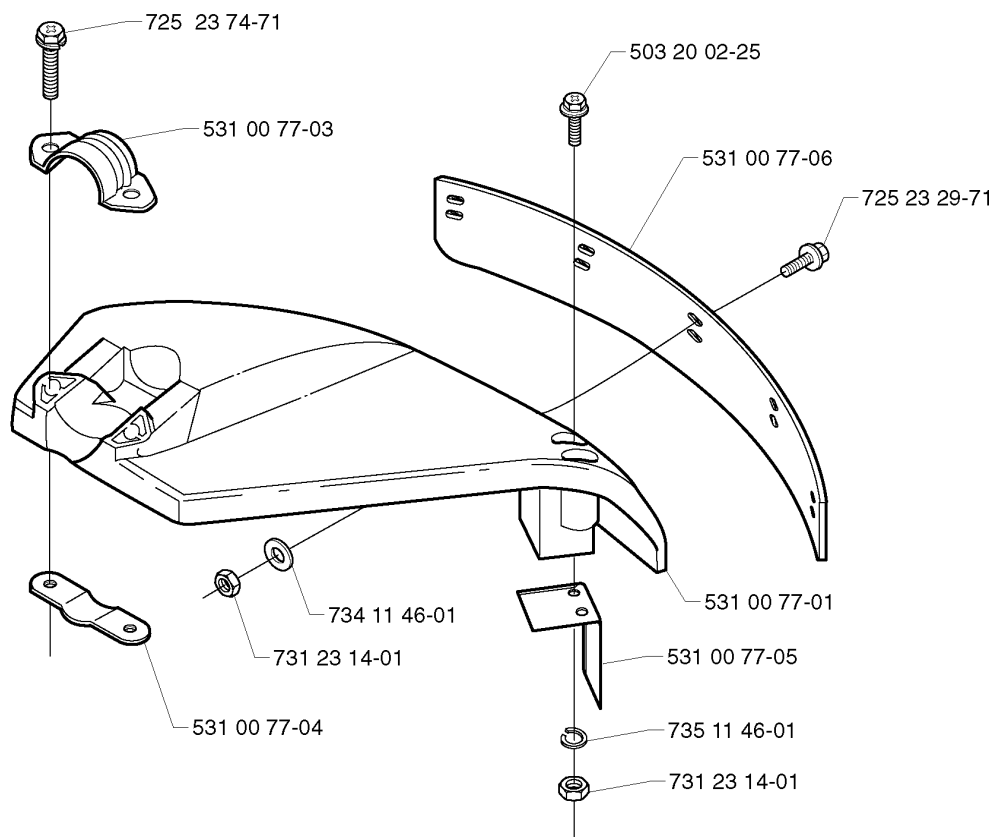


BEVEL GEAR

142 R, 20001900001-Current

Part No	Description	Remark	QTY KIT
502 04 55-01	NUT		1
502 18 10-01	FLANGE		1
503 21 83-41	SCREW		1
531 00 77-25	GEAR		1
531 00 77-26	SHAFT		1
531 00 77-28	RING		1
531 00 77-29	SEALING RING		1
531 00 77-30	SHAFT		1
531 00 77-31	CARRIER		1
531 00 77-69	BEVEL GEAR		1
531 00 77-70	GEAR HOUSING		1
725 23 66-71	SCREW EHHM		1
725 23 74-71	SCREW EHHM		1
735 31 12-00	CIRCLIP		1
735 31 27-10	CIRCLIP		1
735 31 31-10	CIRCLIP		1
738 21 00-00	BALL BEARING		1
738 21 00-01	BALL BEARING		1
738 21 02-00	BALL BEARING		1
738 21 99-00	BALL BEARING		1

M

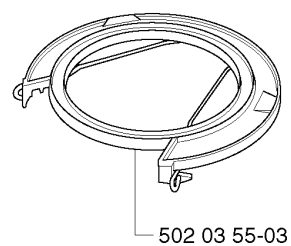
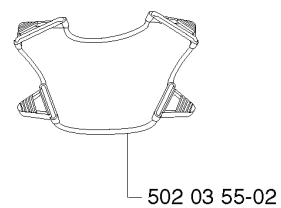
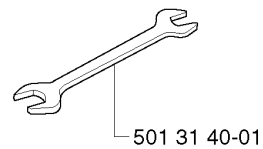
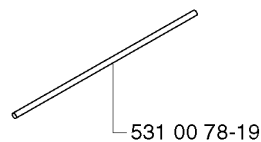
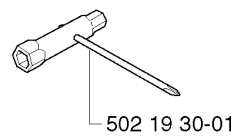
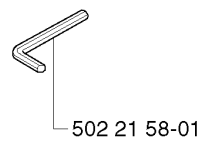
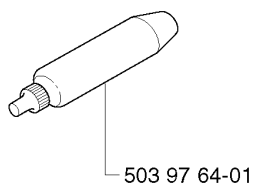
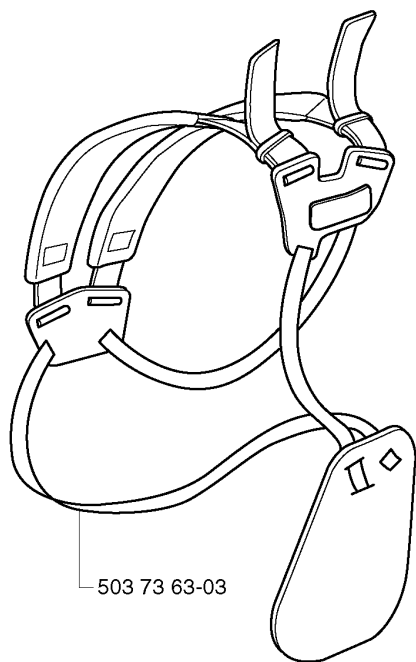


GUARDS

142 R, 20001900001-Current

Part No	Description	Remark	QTY KIT
503 20 02-25	SCREW IHSCFM		1
531 00 77-01	COMBINATION GUARD		1
531 00 77-03	BRACKET		1
531 00 77-04	BRACKET		1
531 00 77-05	BLADE		1
531 00 77-06	PROTECTOR		1
725 23 29-71	SCREW EHHM		1
725 23 74-71	SCREW EHHM		1
731 23 14-01	HEXAGON NUT		1
731 23 14-01	HEXAGON NUT		1
734 11 46-01	WASHER		1
735 11 46-01	SPRING WASHER		1

R



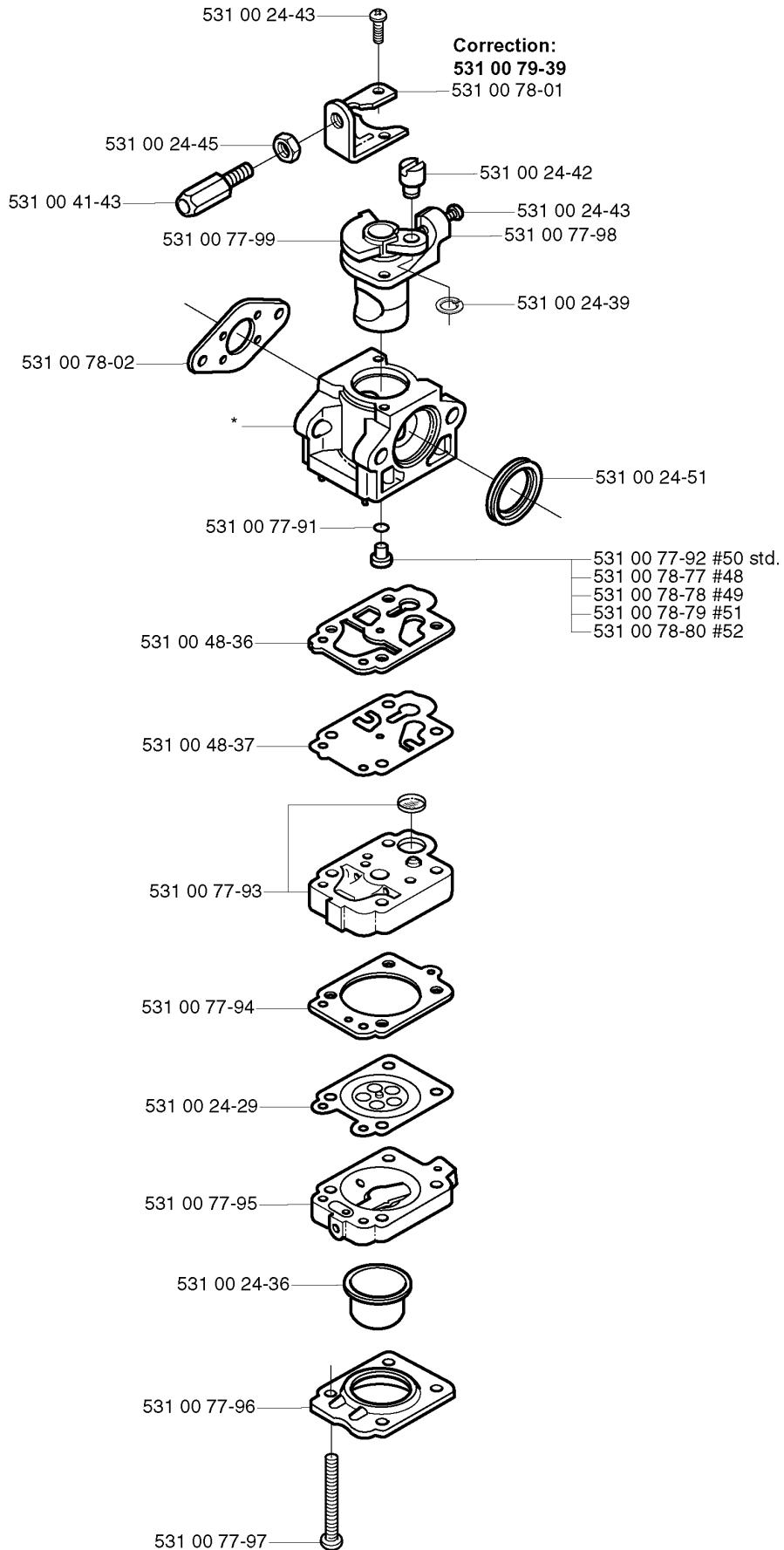
ACCESSORIES

142 R, 20001900001-Current

Part No	Description	Remark	QTY KIT
501 31 40-01	SPANNER OPEN-ENDED		1
502 03 55-02	TRANSPORTSKYDD KPL		1
502 03 55-03	TRANSPORT GUARD		1
502 19 30-01	COMBI TOOL		1
502 21 58-01	WRENCH		1
503 73 63-03	HARNESS		1
503 97 64-01	GREASE		1
531 00 78-19	PIN RETAINING SCREW		1

Walbro WYJ 73

P *compl 531 00 77-90



CARBURETOR DETAILS

142 R, 20001900001-Current

Part No	Description	Remark	QTY KIT
531 00 24-29	DIAPHRAGM		1
531 00 24-36	BULB		1
531 00 24-39	CIRCLIP		1
531 00 24-42	CONNECTION		1
531 00 24-43	SCREW		1
531 00 24-43	SCREW		1
531 00 24-45	NUT		1
531 00 24-51	GASKET		1
531 00 41-43	SCREW		1
531 00 48-36	MOULDING		1
531 00 48-37	SPÄNNHJUL		1
531 00 77-90	CARBURETTOR		1
531 00 77-91	RING		1
531 00 77-92	JET	#50 STD.	1
531 00 77-93	HOUSING		1
531 00 77-94	GASKET		1
531 00 77-95	HOUSING		1
531 00 77-96	PLATE		1
531 00 77-97	SCREW		1
531 00 77-98	THROTTLE		1
531 00 77-99	PLUG		1
531 00 78-02	GASKET		1
531 00 78-77	JET	#48	1
531 00 78-78	JET	#49	1
531 00 78-79	JET	#51	1
531 00 78-80	JET	#52	1
531 00 79-39	BRACKET		1