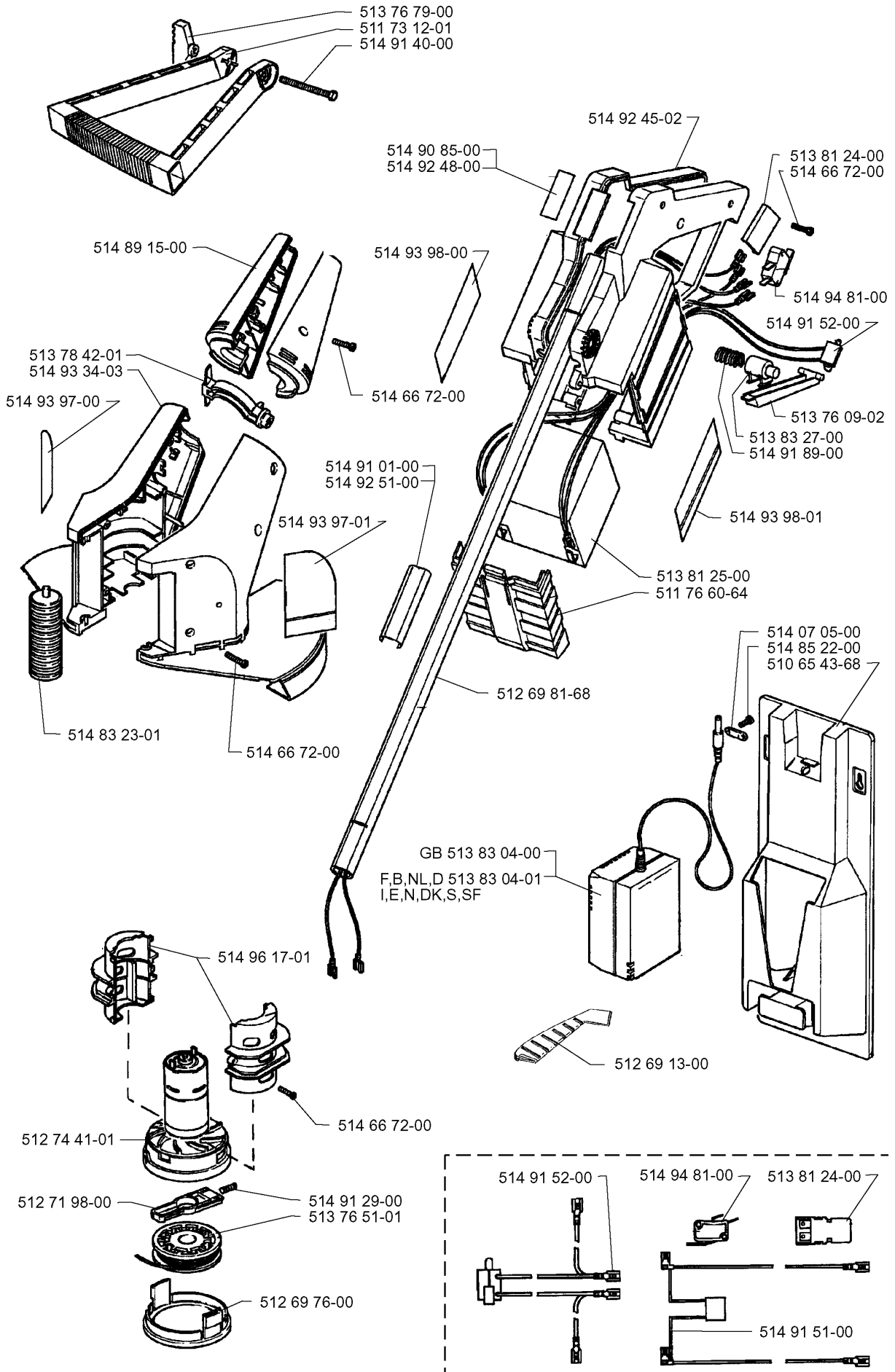




# SPARE PARTS LIST

BRUSHCUTTERS/CLEARING SAWS

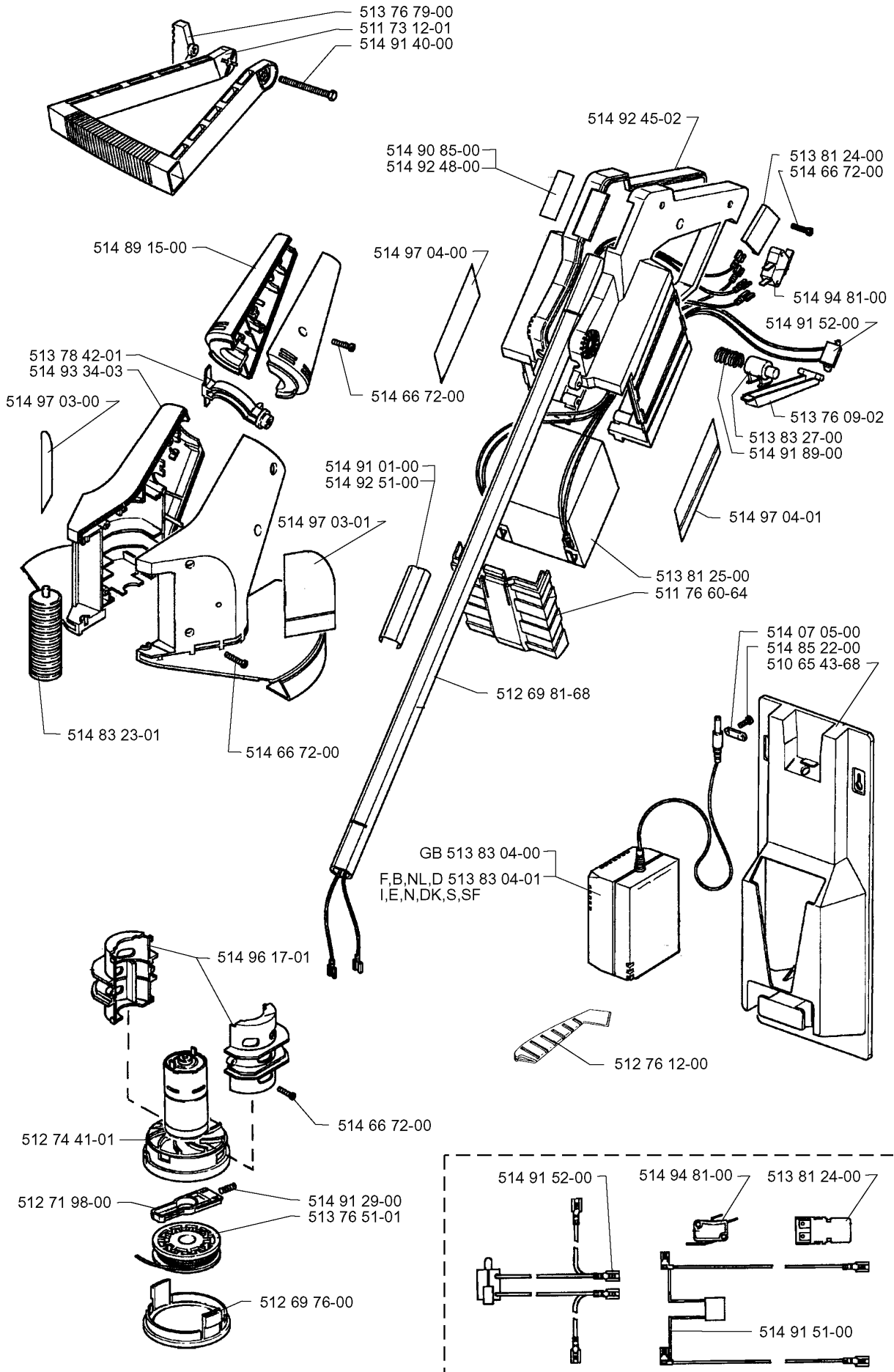
12 RC, 19961400001-Current



PRODUCT COMPLETE

12 RC, 19961400001-Current

Part No	Description	Remark	QTY KIT
510 65 43-68	BRACKET		1
511 73 12-01	HANDLE		1
511 76 60-64	COVER		1
512 69 13-00	GRASS RAKE		1
512 69 76-00	COVER		1
512 69 81-68	HANDLE TUBE		1
512 71 98-00	LINE FEEDER		1
512 74 41-01	CUTTING HEAD/MOTOR		1
513 76 09-02	LEVER		1
513 76 51-01	SPOOL		1
513 76 79-00	WING NUT		1
513 78 42-01	LOCKING BUTTON		1
513 81 24-00	PROTECTOR		1
513 81 24-00	PROTECTOR		1
513 81 25-00	BATTERY		1
513 83 04-00	BATTERY CHARGER	GB	1
513 83 04-01	BATERY CHARGER	F,B,NL,D I,E,N,DK,S,SF	1
513 83 27-00	KNOB		1
514 07 05-00	MORSETTO		1
514 66 72-00	SCREW		1
514 66 72-00	SCREW		1
514 66 72-00	SCREW		1
514 66 72-00	SCREW		1
514 83 23-01	ROLLER GREY		1
514 85 22-00	SCREW		1
514 89 15-00	SWIWELS PAIR		1
514 90 85-00	DECAL		1
514 91 01-00	DECAL		1
514 91 29-00	SPRING		1
514 91 40-00	BOLT		1
514 91 51-00	HARNESS		1
514 91 52-00	HARNESS		1
514 91 52-00	HARNESS		1
514 91 89-00	SPRING		1
514 92 45-02	BOX		1
514 92 48-00	DECAL		1
514 92 51-00	DECAL		1
514 93 34-03	COVER		1
514 93 97-00	DECAL		1
514 93 97-01	DECAL		1
514 93 98-00	DECAL		1
514 93 98-01	DECAL		1
514 94 81-00	SWITCH		1
514 94 81-00	SWITCH		1
514 96 17-01	ADAPTER		1



PRODUCT COMPLETE

12 RC, 19961400001-Current

Part No	Description	Remark	QTY KIT
510 65 43-68	BRACKET		1
511 73 12-01	HANDLE		1
511 76 60-64	COVER		1
512 69 76-00	COVER		1
512 69 81-68	HANDLE TUBE		1
512 71 98-00	LINE FEEDER		1
512 74 41-01	CUTTING HEAD/MOTOR		1
512 76 12-00	TOOL		1
513 76 09-02	LEVER		1
513 76 51-01	SPOOL		1
513 76 79-00	WING NUT		1
513 78 42-01	LOCKING BUTTON		1
513 81 24-00	PROTECTOR		1
513 81 24-00	PROTECTOR		1
513 81 25-00	BATTERY		1
513 83 04-00	BATTERY CHARGER	GB	1
513 83 04-01	BATTERY CHARGER	F,B,NL,D I,E,N,DK,S,SF	1
513 83 27-00	KNOB		1
514 07 05-00	MORSETTO		1
514 66 72-00	SCREW		1
514 66 72-00	SCREW		1
514 66 72-00	SCREW		1
514 66 72-00	SCREW		1
514 83 23-01	ROLLER GREY		1
514 85 22-00	SCREW		1
514 89 15-00	SWIWELS PAIR		1
514 90 85-00	DECAL		1
514 91 01-00	DECAL		1
514 91 29-00	SPRING		1
514 91 40-00	BOLT		1
514 91 51-00	HARNESS		1
514 91 52-00	HARNESS		1
514 91 52-00	HARNESS		1
514 91 89-00	SPRING		1
514 92 45-02	BOX		1
514 92 48-00	DECAL		1
514 92 51-00	DECAL		1
514 93 34-03	COVER		1
514 94 81-00	SWITCH		1
514 94 81-00	SWITCH		1
514 96 17-01	ADAPTER		1
514 97 03-00	DECAL		1
514 97 03-01	DECAL		1
514 97 04-00	DECAL		1
514 97 04-01	DECAL		1