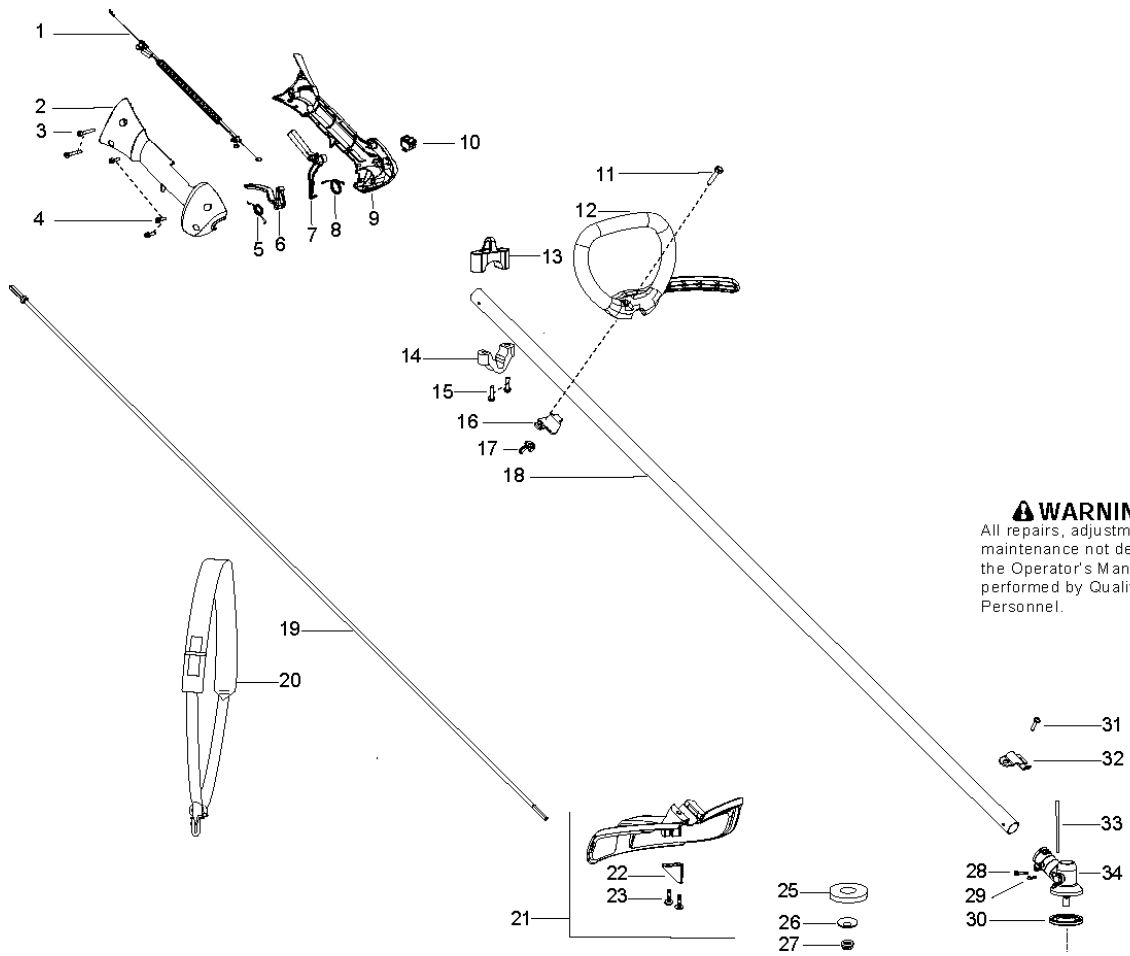




# SPARE PARTS LIST

BRUSHCUTTERS/CLEARING SAWS

125 RJ, 545103435,  
20103100001-Current

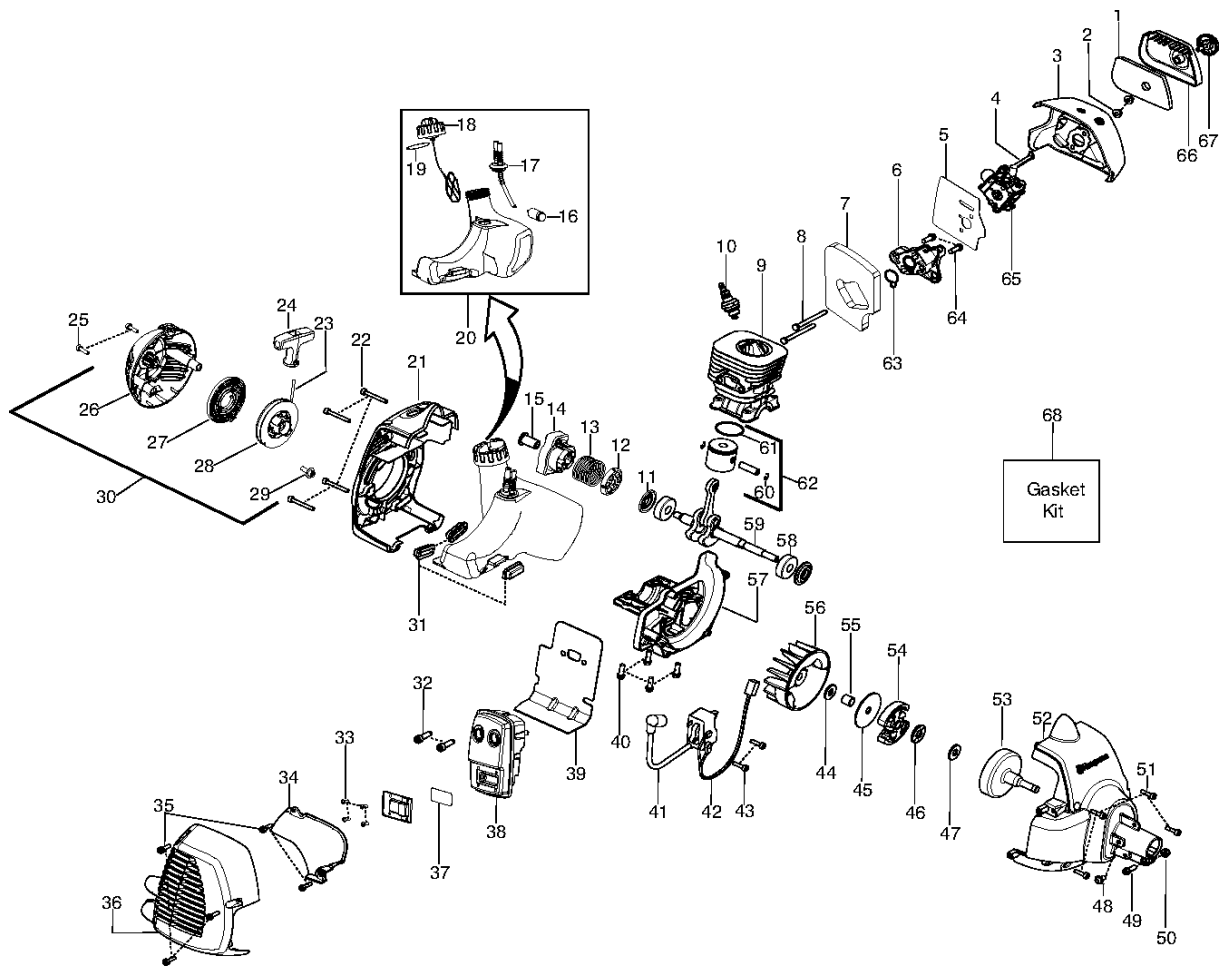


**⚠ WARNING**  
All repairs, adjustments and maintenance not described in the Operator's Manual must be performed by Qualified Service Personnel.

## SHAFT &amp; HANDLE

125 RJ, 545103435, 20103100001-Current

Ref	Part No	Description	Remark	QTY KIT
1	545 12 53-01	WIRE		1
2	545 06 20-01	HANDLE		1
3	530 01 64-48	SCREW		1
4	530 01 64-49	SCREW		1
5	530 01 64-54	RETURN SPRING		1
6	545 06 60-01	TRIGGER		1
7	530 05 98-04	THROTTLE LOCK		1
8	545 04 56-01	RETURN SPRING		1
9	545 06 70-01	HANDLE		1
10	545 04 93-01	SWITCH		1
11	530 01 58-20	SCREW		1
12	545 13 97-01	HANDLE		1
13	545 11 33-01	CLAMP		1
14	545 05 66-01	CLAMP		1
15	530 01 59-40	SCREW		1
16	530 05 91-85	CLAMP		1
17	530 01 61-52	WING NUT		1
18	545 00 60-68	DRIVE SHAFT ASSY		1 19,28,29 ,31,32,3 4
20	537 21 62-01	HARNESS		1
21	545 03 09-01	COMBINATION GUARD		1
22	530 05 22-86	LINE		1
23	530 01 58-14	SCREW		1
25	503 89 01-01	SUPPORT CUP		1
26	537 28 56-01	SUPPORT FLANGE		1
27	503 85 63-01	NUT		1
28	530 01 60-14	SCREW		1
29	545 00 39-02	SCREW		1
30	537 23 49-01	DRIVER ASSY		1
31	530 01 57-71	SCREW		1
32	530 05 75-54	BRACKET		1
33	502 28 59-01	STOP		1
34	530 09 62-95	BEVEL GEAR		1



## ENGINE

125 RJ, 545103435, 20103100001-Current

Ref	Part No	Description	Remark	QTY KIT
1	530 15 02-53	AIR FILTER		1
2	530 01 61-01	NUT		1
3	545 08 46-01	AIR BOX		1
4	530 05 78-44	LEVER		1
5	545 05 04-02	KIT		1
6	530 03 55-96	ADAPTER		1
7	545 00 80-84	GASKET KIT		1
8	530 01 64-00	BOLT		1
9	545 00 10-01	CYLINDER		1
10	952 03 02-01	SPARK PLUG		1
11	545 05 04-03	KIT		1
12	530 01 64-75	CARRIER		1
13	545 16 03-01	SPRING		1
14	545 10 23-03	STARTER PAWL ATTACHMENT		1
15	530 05 98-00	SHAFT		1
16	530 09 56-46	FILTER		1
17	545 08 18-97	HOSE		1
18	530 15 03-50	TANK		1
19	545 00 80-84	GASKET KIT		1
20	545 10 51-04	FUEL TANK ASSY		1
21	530 05 78-51	COVER		1
22	530 01 64-48	SCREW		1
23	545 02 99-01	STARTER ROPE		1
24	530 15 03-18	HANDLE		1
25	530 01 64-26	SCREW		1
26	545 02 96-03	STARTER		1
27	545 02 98-01	SPRING		1
28	545 02 97-01	STARTER PULLEY		1
29	530 01 64-68	SCREW		1
30	545 10 63-01	STARTER ASSY		1
31	530 05 97-80	INSULATOR		1
32	530 05 89-82	BOLT		1
33	530 01 54-96	SCREW		1
34	530 15 04-40	PROTECTION		1
35	530 01 64-49	SCREW		1
36	545 10 49-01	PROTECTION		1
37	545 03 05-01	SCREEN		1
38	545 05 75-02	MUFFLER ASSY		1
39	545 00 80-84	GASKET KIT		1
40	530 01 58-97	SCREW		1
41	545 04 67-01	IGNITION MODULE		1
42	530 03 92-27	SHORTING LEAD		1
43	530 01 64-56	SCREW		1
44	530 01 64-63	WASHER		1
45	530 09 41-89	WASHER		1
46	545 17 34-01	BEARING		1
47	530 01 64-20	WASHER - THRUST		1
48	530 01 64-69	SCREW		1
49	530 01 64-70	SCREW		1
50	530 01 57-68	NUT		1
51	530 01 64-56	SCREW		1
52	545 01 75-01	HOUSING		1
53	530 15 00-39	CLUTCH DRUM		1
54	545 05 04-05	CLUTCH		1
55	530 05 78-52	RING		1
56	530 03 92-42	FLYWHEEL		1
57	545 05 46-01	CRANKCASE		1
58	545 01 34-01	BEARING		1
59	545 03 00-01	CRANKSHAFT		1
60	530 01 51-62	CIRCLIP		1
61	530 01 92-83	PISTON RING		1
62	545 03 03-01	PISTON		1
63	545 00 80-84	GASKET KIT		1
64	530 01 58-97	SCREW		1

## ENGINE

125 RJ, 545103435, 20103100001-Current

Ref	Part No	Description	Remark	QTY KIT
65	545 08 18-48	CARBURETTOR KIT		1
	504 81 18-01	GASKET KIT		1
66	530 05 78-46	COVER		1
67	530 05 97-96	KNOB ASSY AIRBOX COVER		1
68	545 00 80-84	GASKET KIT		1

**\*\*\*\*\* Service Reference \*\*\*\*\***

Note : Due to product improvements, your unit may have a different clutch drum assembly and flexshaft.  
Please refer to the serial number on your unit and order the parts below.

Serial Number - 06282N and lower, please use the following parts:  
Page 1, Ref.# 19 - 545081805 Kit - Clutch drum & flexshaft  
Page 2, Ref.# 53 - 545081805 Kit - Clutch drum & flexshaft

Serial Number - 06283N and higher, please use the following parts:  
Page 1, Ref.# 19 - 545007507 Flexshaft  
Page 2, Ref.# 53 - 530150039 Assy-Clutch drum with adapter

**\*\*\*\*\* Service Reference \*\*\*\*\***

Note : Due to product improvements, your unit may have a different carburetor.  
Please refer to the serial number on your unit and order the parts below.

Serial Number - 07333N and lower, please use the following parts:  
Page 2, Ref.# 65 - 545006063 Kit - Carburetor

Serial Number - 07334N and higher, please use the following parts:  
Page 2, Ref.# 65 - 545081847 Kit - Carburetor

## SERVICE UPDATES

125 RJ, 545103435, 20103100001-Current

Part No	Description	Remark	QTY KIT
530 15 00-39	CLUTCH DRUM		1
545 00 60-63	CARBURETTOR		1
545 00 75-07	SHAFT		1
545 08 18-05	CLUTCH DRUM ASSY		1
545 08 18-05	CLUTCH DRUM ASSY		1
545 08 18-47	KIT - CARBURETOR		1