

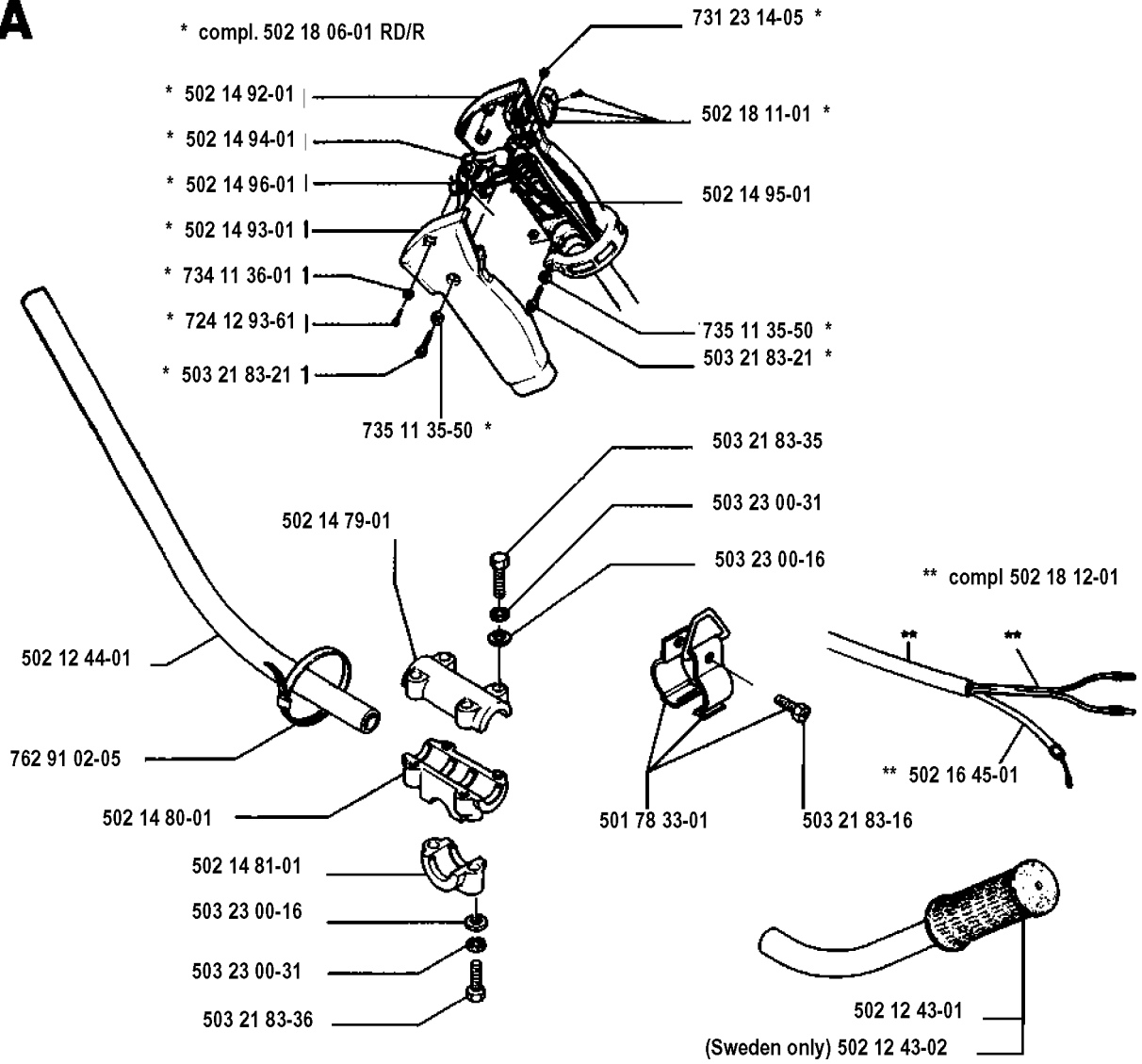


# SPARE PARTS LIST

BRUSHCUTTERS/CLEARING SAWS

125 RD, 19931400001-Current

**A**

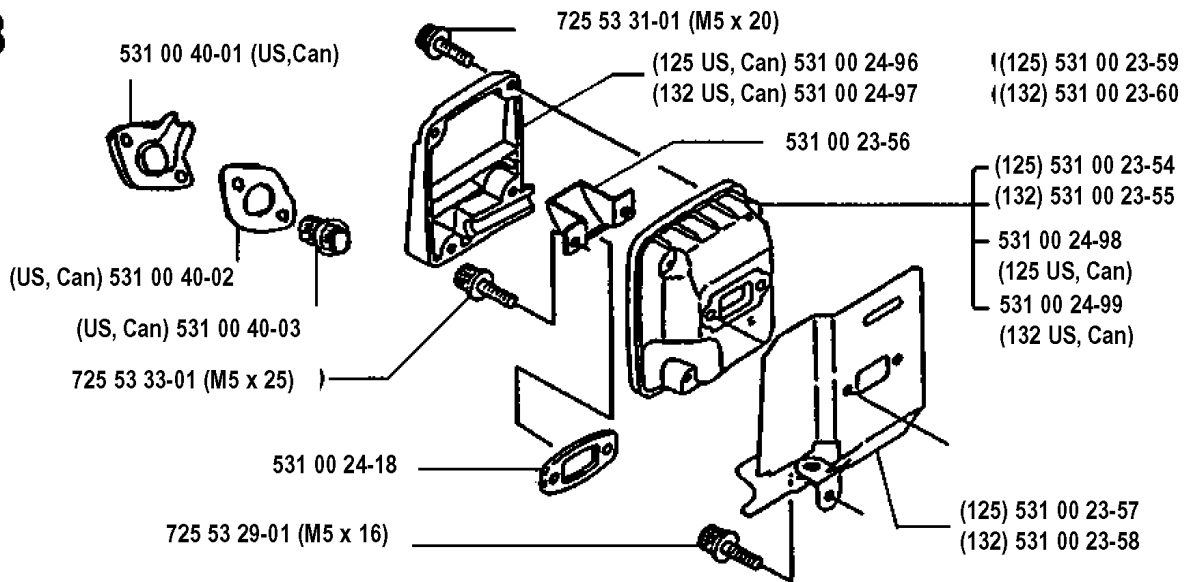


## HANDLE &amp; CONTROLS

125 RD, 19931400001-Current

Part No	Description	Remark	QTY KIT
501 78 33-01	SUSPENSION BAIL		1
502 12 43-01	HANDLEBAR LEFT		1
502 12 43-02	HANDLE LEFT	SWEDEN ONLY	1
502 12 44-01	HANDLEBAR RIGHT		1
502 14 79-01	HANDLEBAR BRACKET UP		1
502 14 80-01	HANDLEBAR BRACKET LO		1
502 14 81-01	HANDLEBAR BRACKET		1
502 14 92-01	HANDLE HALF		1
502 14 93-01	HANDLE HALF		1
502 14 94-01	THROTTLE CONTROL		1
502 14 95-01	THROTTLE LOCKOUT		1
502 14 96-01	RECOIL SPRING		1
502 16 45-01	THROTTLE CABLE ASSY		1
502 18 06-01	THROTTLE HANDLE ASSY	RD/R	1
502 18 11-01	SWITCH CPL		1
502 18 12-01	WIRE ASSY		1
503 21 83-16	SCREW		1
503 21 83-21	SCREW		1
503 21 83-21	SCREW		1
503 21 83-35	SCREW		1
503 21 83-36	SCREW		1
503 23 00-16	WASHER		1
503 23 00-16	WASHER		1
503 23 00-31	WASHER		1
503 23 00-31	WASHER		1
724 12 93-61	SCREW CRPANM		1
731 23 14-05	HEXAGON NUT		1
734 11 36-01	WASHER		1
735 11 35-50	WASHER		1
735 11 35-50	WASHER		1
762 91 02-05	TIE WRAP		1

**B**

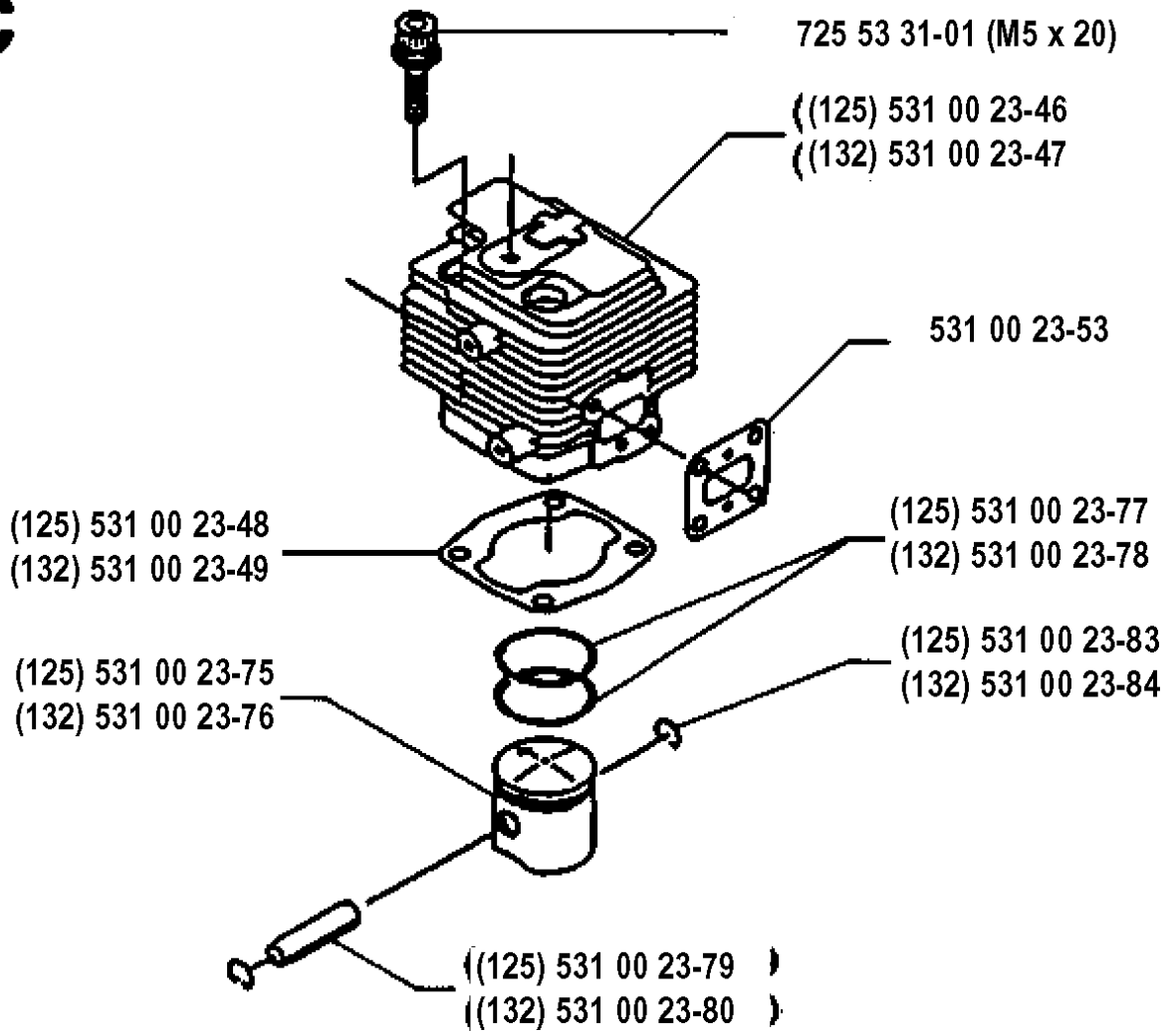


## MUFFLER

125 RD, 19931400001-Current

Part No	Description	Remark	QTY KIT
531 00 23-54	MUFFLER	125	1
531 00 23-55	MUFFLER	132	1
531 00 23-56	PLATE		1
531 00 23-57	GASKET	125	1
531 00 23-58	GASKET	132	1
531 00 23-59	MUFFLER	125	1
531 00 23-60	MUFFLER	132	1
531 00 24-18	SPACER		1
531 00 24-96	COVER	125 US, CAN	1
531 00 24-97	COVER	132 US, CAN	1
531 00 24-98	MUFFLER	125 US, CAN	1
531 00 24-99	MUFFLER	132 US, CAN	1
531 00 40-01	TUBE	US,CAN	1
531 00 40-02	GASKET	US, CAN	1
531 00 40-03	SPARK ARRESTOR	US, CAN	1
725 53 29-01	SCREW IHSCM	M5 X 16	1
725 53 31-01	SCREW IHSCM	M5 X 20	1
725 53 33-01	SCREW IHSCM	M5 X 25	1

**C**

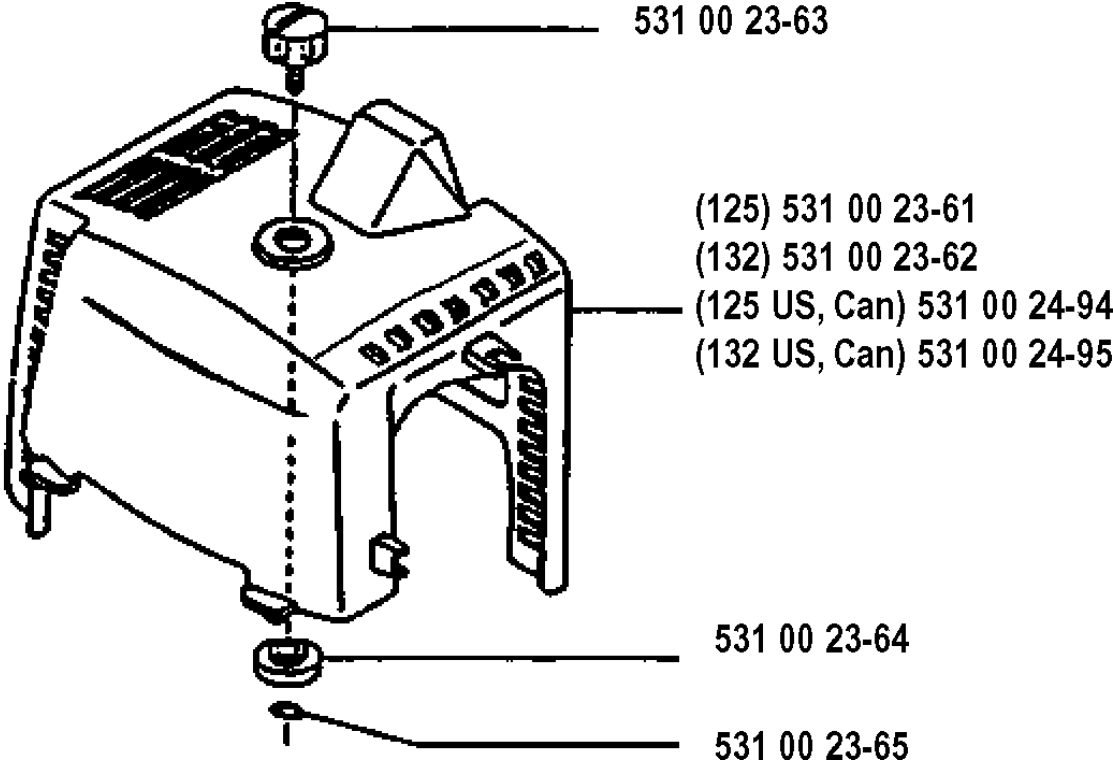


## CYLINDER PISTON

125 RD, 19931400001-Current

Part No	Description	Remark	QTY KIT
531 00 23-46	CYLINDER	125	1
531 00 23-47	CYLINDER	132	1
531 00 23-48	GASKET	125	1
531 00 23-49	GASKET	132	1
531 00 23-53	GASKET		1
531 00 23-75	PISTON	125	1
531 00 23-76	PISTON	132	1
531 00 23-77	PISTON RING	125	1
531 00 23-78	PISTON RING	132	1
531 00 23-79	PISTON BOLT	125	1
531 00 23-80	PISTON BOLT	132	1
531 00 23-83	CLIP	125	1
531 00 23-84	CLIP	132	1
725 53 31-01	SCREW IHSCM	M5 X 20	1

**D**

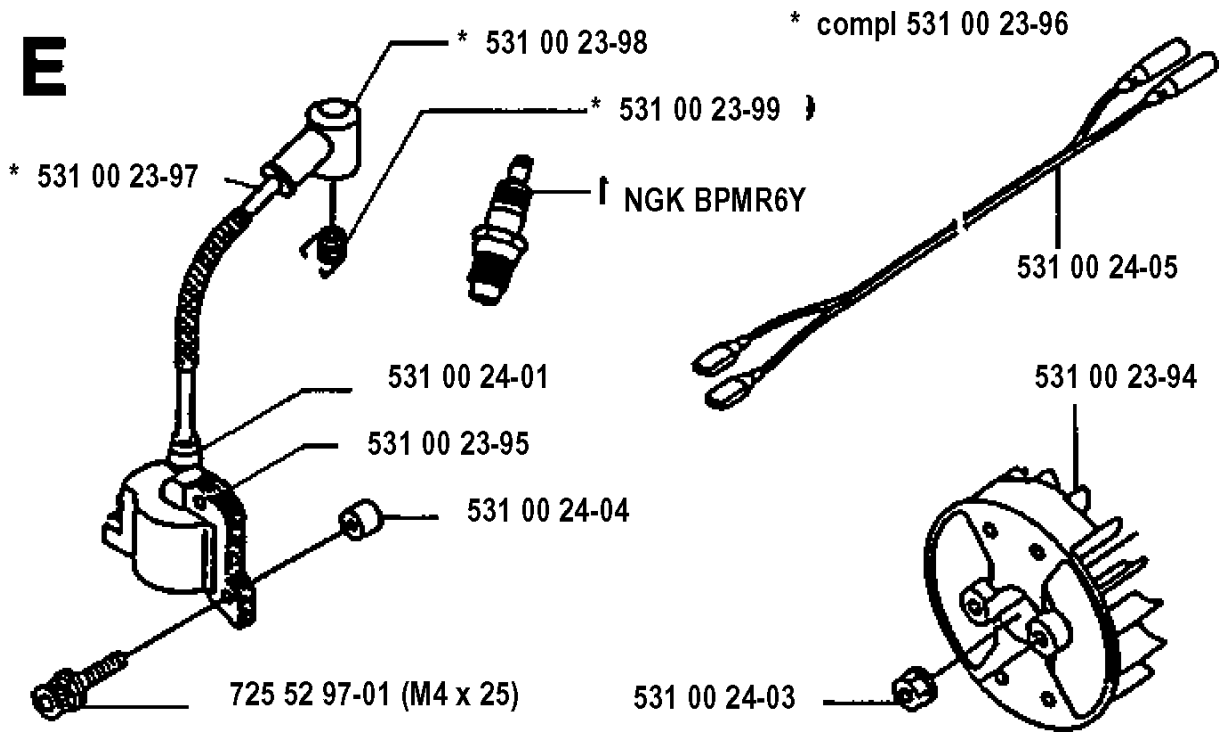




CYLINDER COVER

125 RD, 19931400001-Current

Part No	Description	Remark	QTY KIT
531 00 23-61	COVER	125	1
531 00 23-62	COVER	132	1
531 00 23-63	SCREW		1
531 00 23-64	SPACER		1
531 00 23-65	RETAINING RING		1
531 00 24-94	COVER	125 US, CAN	1
531 00 24-95	COVER	132 US, CAN	1

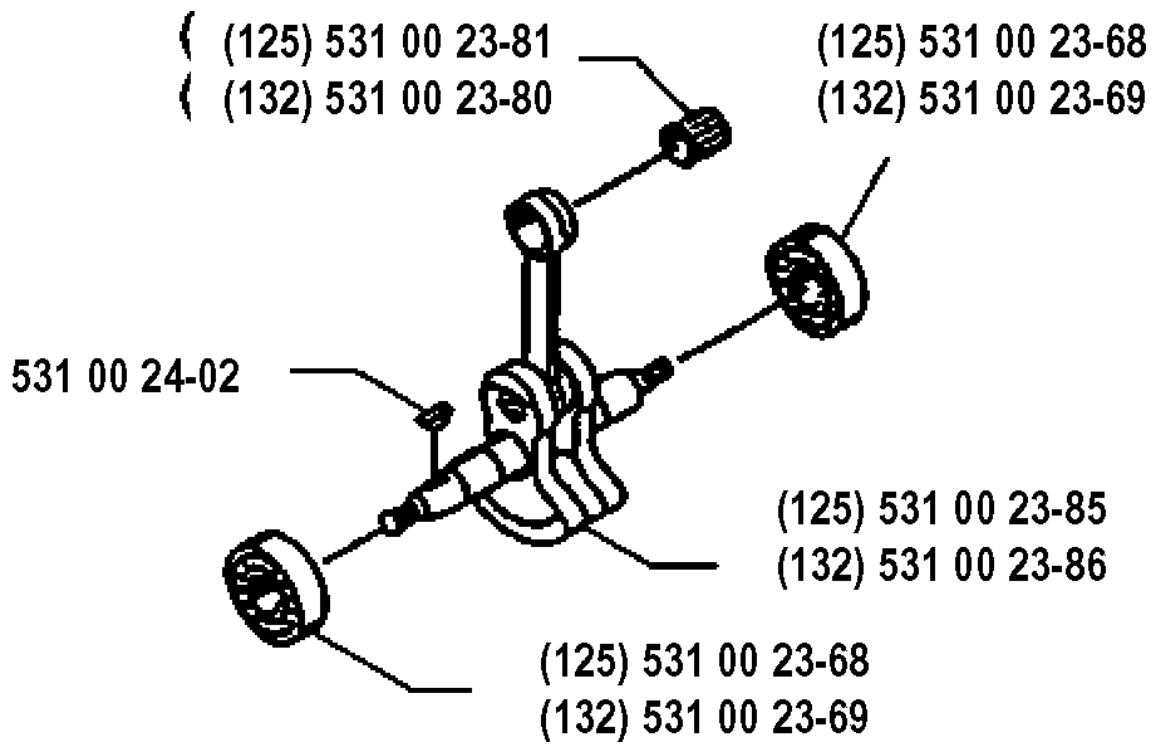


## IGNITION SYSTEM

125 RD, 19931400001-Current

Part No	Description	Remark	QTY KIT
531 00 23-94	FLYWHEEL		1
531 00 23-95	IGNITION COIL		1
531 00 23-96	CABLE ASSY		1
531 00 23-97	CABLE		1
531 00 23-98	SPARK PLUG CONNECTION		1
531 00 23-99	SPRING		1
531 00 24-01	SLEEVE		1
531 00 24-03	NUT		1
531 00 24-04	SPACER		1
531 00 24-05	CABLE		1
725 52 97-01	SCREW IHSCM	M4 X 25	1

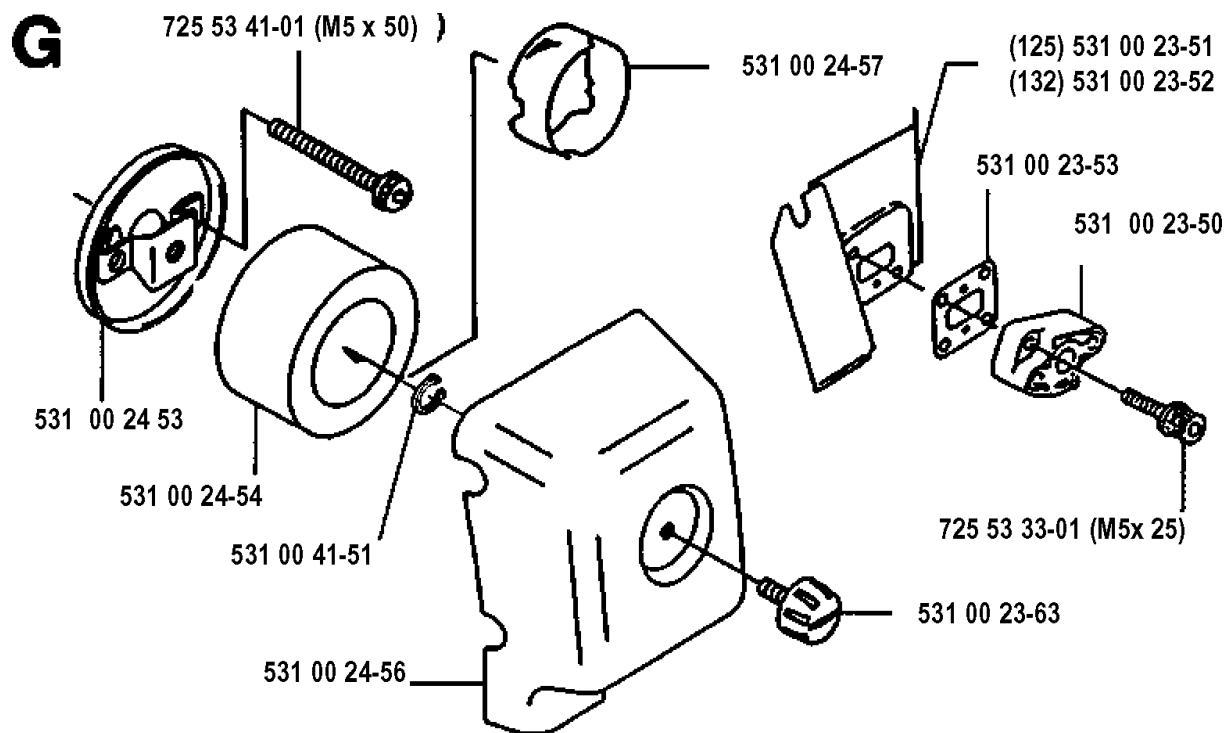
**F**



## CRANKSHAFT

125 RD, 19931400001-Current

Part No	Description	Remark	QTY KIT
531 00 23-68	BEARING	125	1
531 00 23-68	BEARING	125	1
531 00 23-69	BEARING	132	1
531 00 23-69	BEARING	132	1
531 00 23-80	PISTON BOLT	132	1
531 00 23-81	SUPPORT BUSHING	125	1
531 00 23-85	CRANKSHAFT	125	1
531 00 23-86	CRANKSHAFT	132	1
531 00 24-02	KEY		1



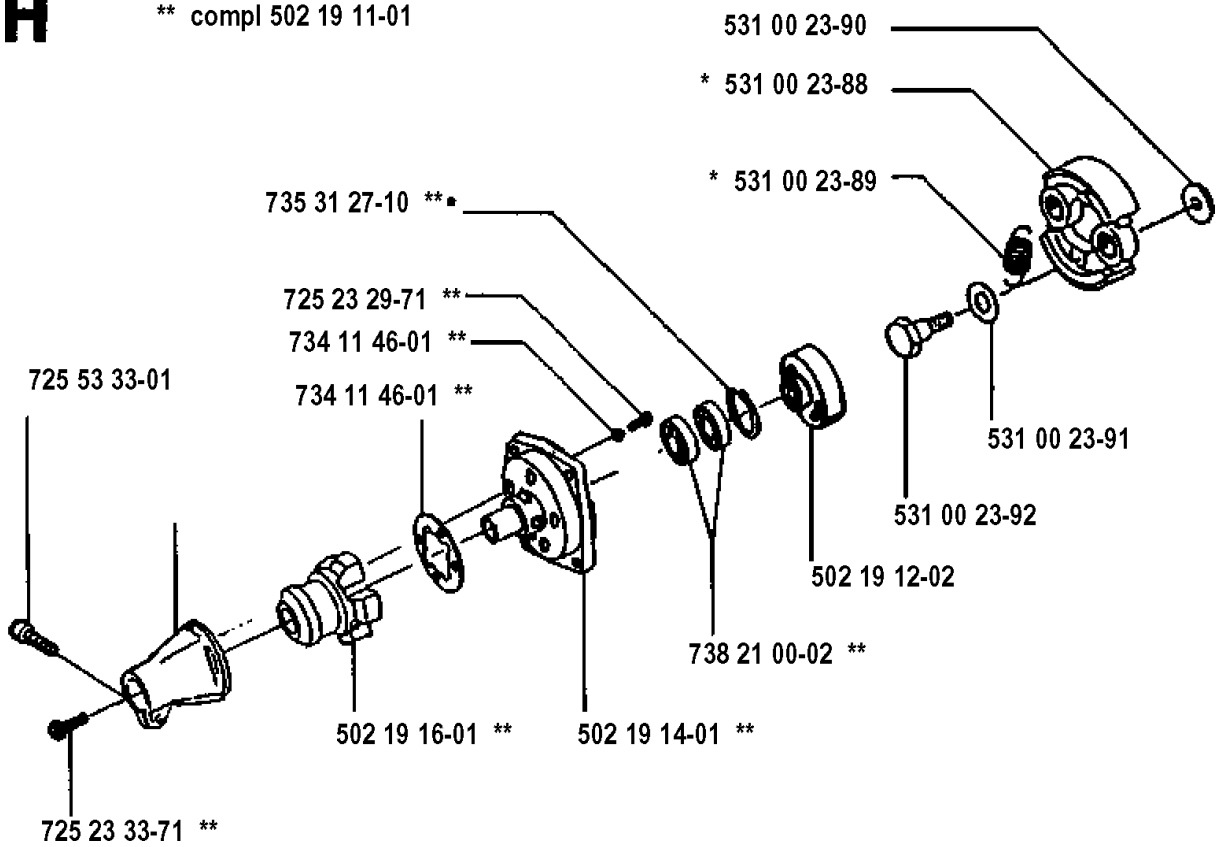
## AIR FILTER

125 RD, 19931400001-Current

Part No	Description	Remark	QTY KIT
531 00 23-50	INSULSTER		1
531 00 23-51	PLATE	125	1
531 00 23-52	PLATE	132	1
531 00 23-53	GASKET		1
531 00 23-63	SCREW		1
531 00 24-53	HOLDER		1
531 00 24-54	AIR FILTER		1
531 00 24-56	COVER		1
531 00 24-57	SCREEN		1
531 00 41-51	RETAINER RING		1
725 53 33-01	SCREW IHSCM	M5X 25	1
725 53 41-01	SCREW IHSCM	M5 X 50	1

**H**

\* compl 531 00 23-87  
\*\* compl 502 19 11-01



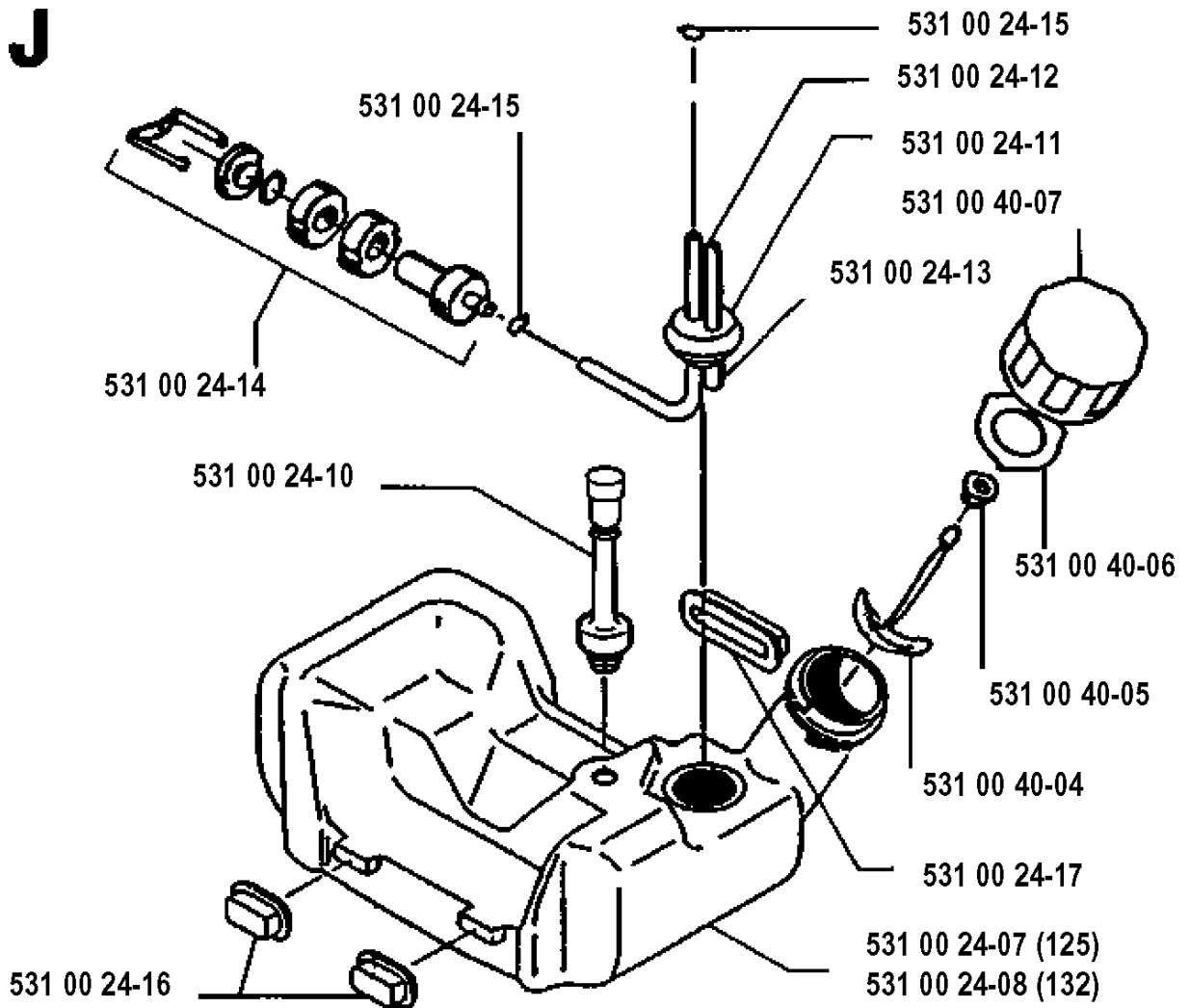


## CLUTCH

125 RD, 19931400001-Current

Part No	Description	Remark	QTY KIT
502 19 11-01	CLUTCH ASSY		1
502 19 12-02	CLUTCH DRUM		1
502 19 14-01	BEARING HOLDER		1
502 19 16-01	ANTIVIBRATION ELEMENT		1
531 00 23-87	CLUTCH ASSY		1
531 00 23-88	CLUTCH		1
531 00 23-89	SPRING		1
531 00 23-90	WASHER		1
531 00 23-91	WASHER		1
531 00 23-92	SCREW		1
725 23 29-71	SCREW EHHM		1
725 23 33-71	SCREW EHHM		1
725 53 33-01	SCREW IHSCM		1
734 11 46-01	WASHER		1
734 11 46-01	WASHER		1
735 31 27-10	CIRCLIP		1
738 21 00-02	BALL BEARING		1

**J**

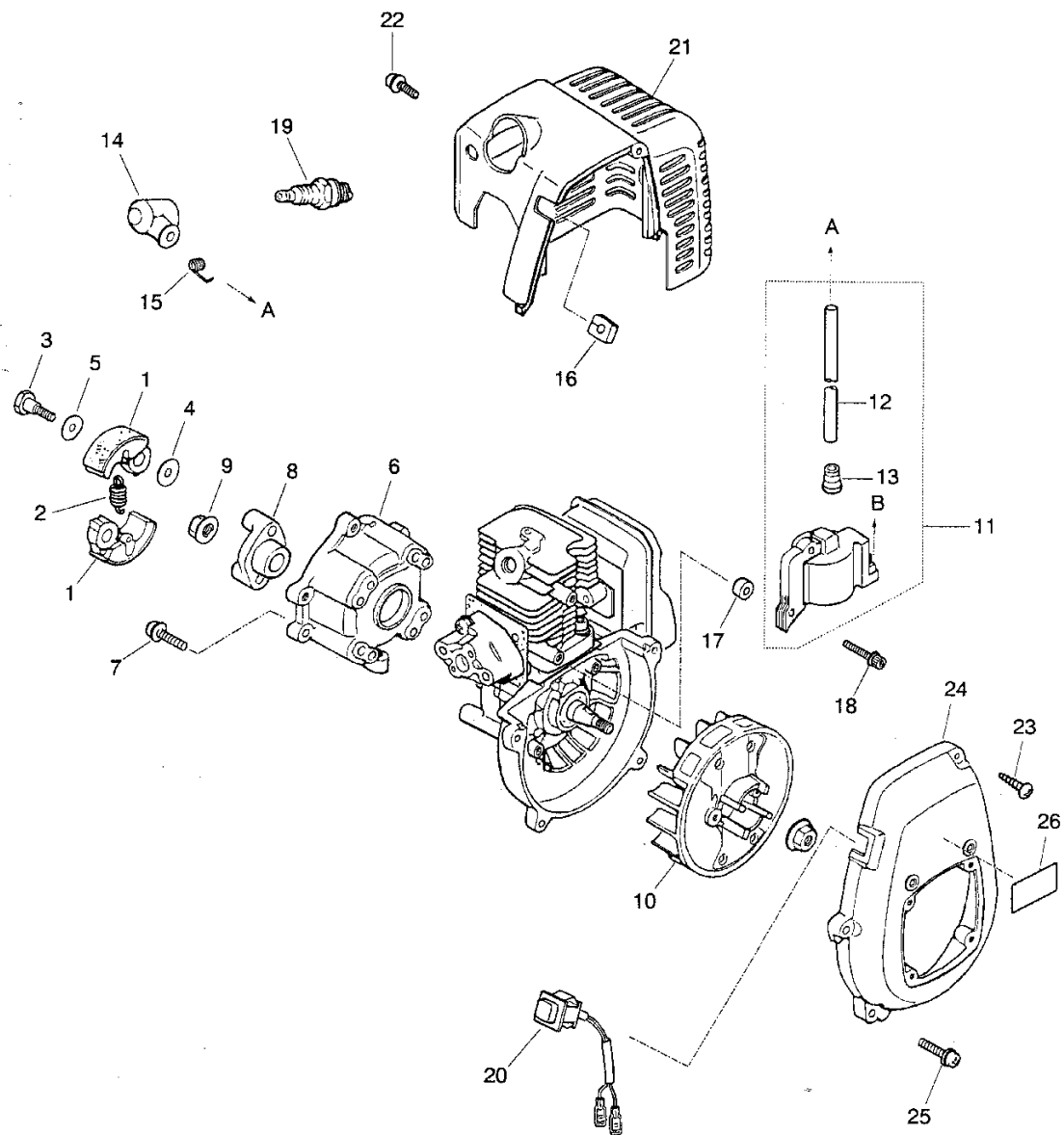


## FUEL TANK

125 RD, 19931400001-Current

Part No	Description	Remark	QTY KIT
531 00 24-07	TANK	125	1
531 00 24-08	TANK	132	1
531 00 24-10	VALVE		1
531 00 24-11	SLEEVE		1
531 00 24-12	HOSE		1
531 00 24-13	PIPE		1
531 00 24-14	FILTER		1
531 00 24-15	CLIP		1
531 00 24-15	CLIP		1
531 00 24-16	SLEEVE		1
531 00 24-17	PAD		1
531 00 40-04	HOLDER		1
531 00 40-05	BRACKET		1
531 00 40-06	GASKET		1
531 00 40-07	TANK CAP		1

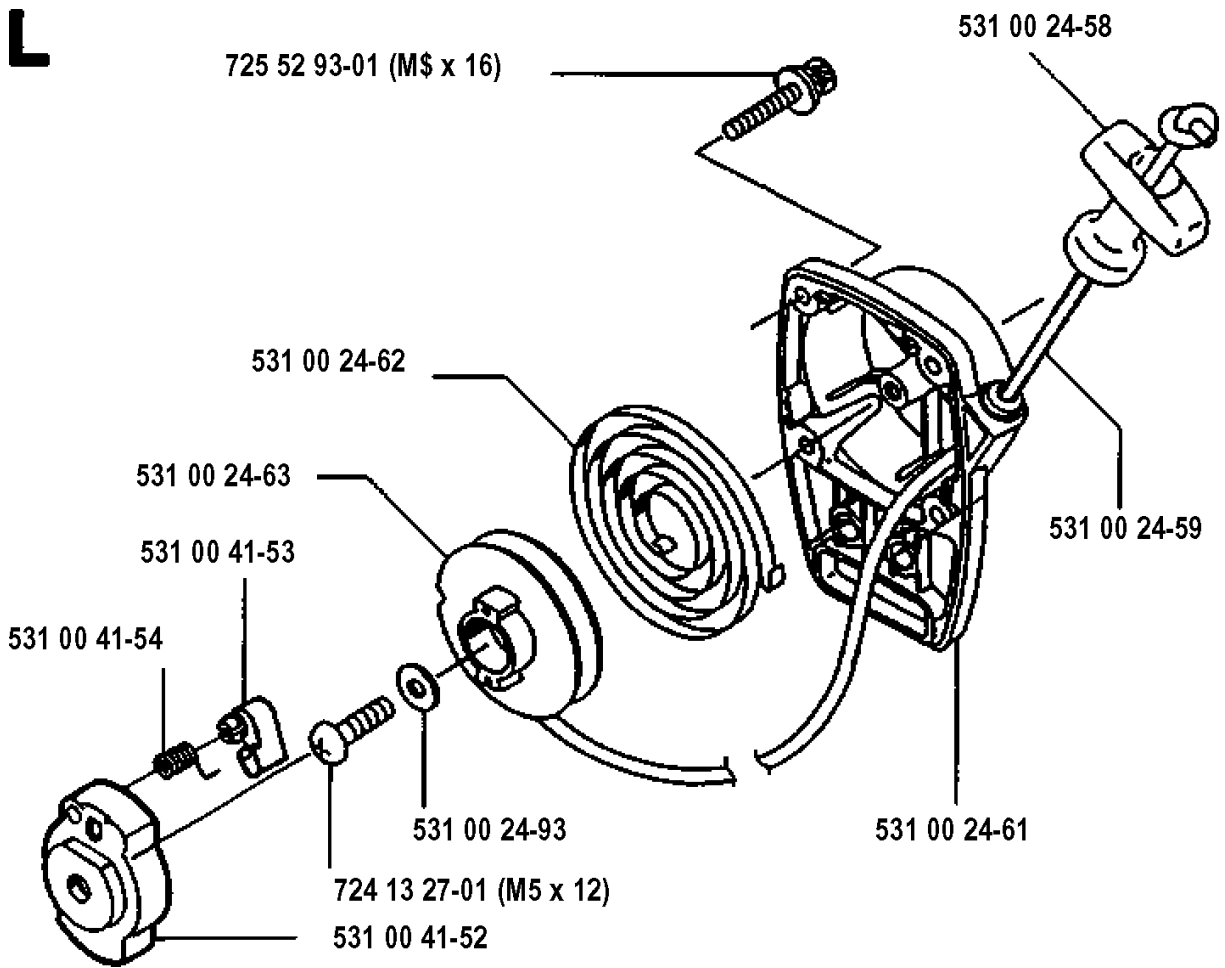
E1301 クラッチ・電装・カバー



## CRANKCASE

125 RD, 19931400001-Current

Part No	Description	Remark	QTY KIT
531 00 23-66	CRANKCASE	125	1
531 00 23-67	CRANKCASE	132	1
531 00 23-70	SEAL RING		1
531 00 23-71	SEAL RING	132	1
531 00 23-72	SEALING RING	125	1
531 00 23-73	RETAINER RING	125	1
531 00 23-74	RETAINER RING	132	1
531 00 23-93	COVER		1
531 00 24-06	PLUG		1
725 53 31-01	SCREW IHSCM	M5 X 20	1
725 53 31-01	SCREW IHSCM	M5 X 20	1
725 53 35-01	SCREW IHSCM	M5 X 30	1



## STARTER

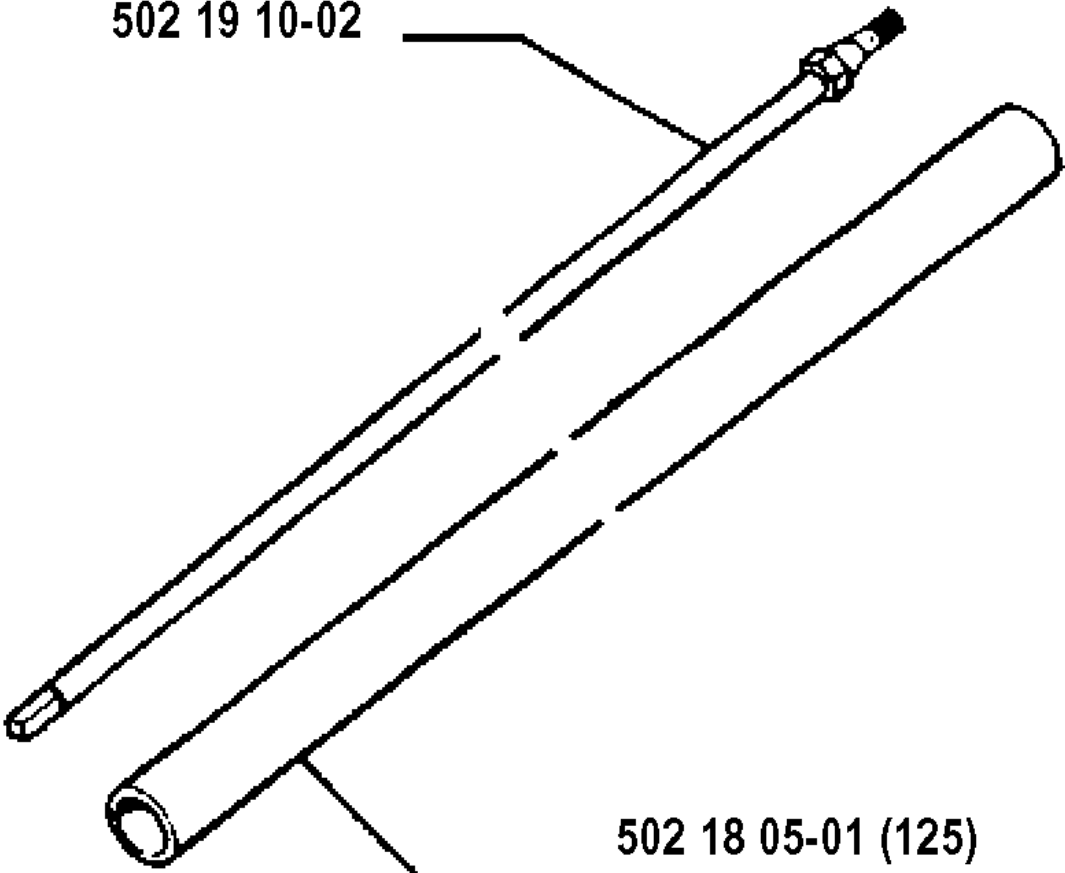
125 RD, 19931400001-Current

Part No	Description	Remark	QTY KIT
531 00 24-58	HANDLE		1
531 00 24-59	STARTER ROPE		1
531 00 24-61	STARTER HOUSING		1
531 00 24-62	SPRING		1
531 00 24-63	STARTER PULLEY		1
531 00 24-93	WASHER		1
531 00 41-52	STARTER PULLEY		1
531 00 41-53	PAWL		1
531 00 41-54	SPRING		1
724 13 27-01	SCREW CRPANM	M5 X 12	1
725 52 93-01	SCREW IHSCM	M5 X 16	1

**M**

**R/L**

502 19 10-02



502 18 05-01 (125)

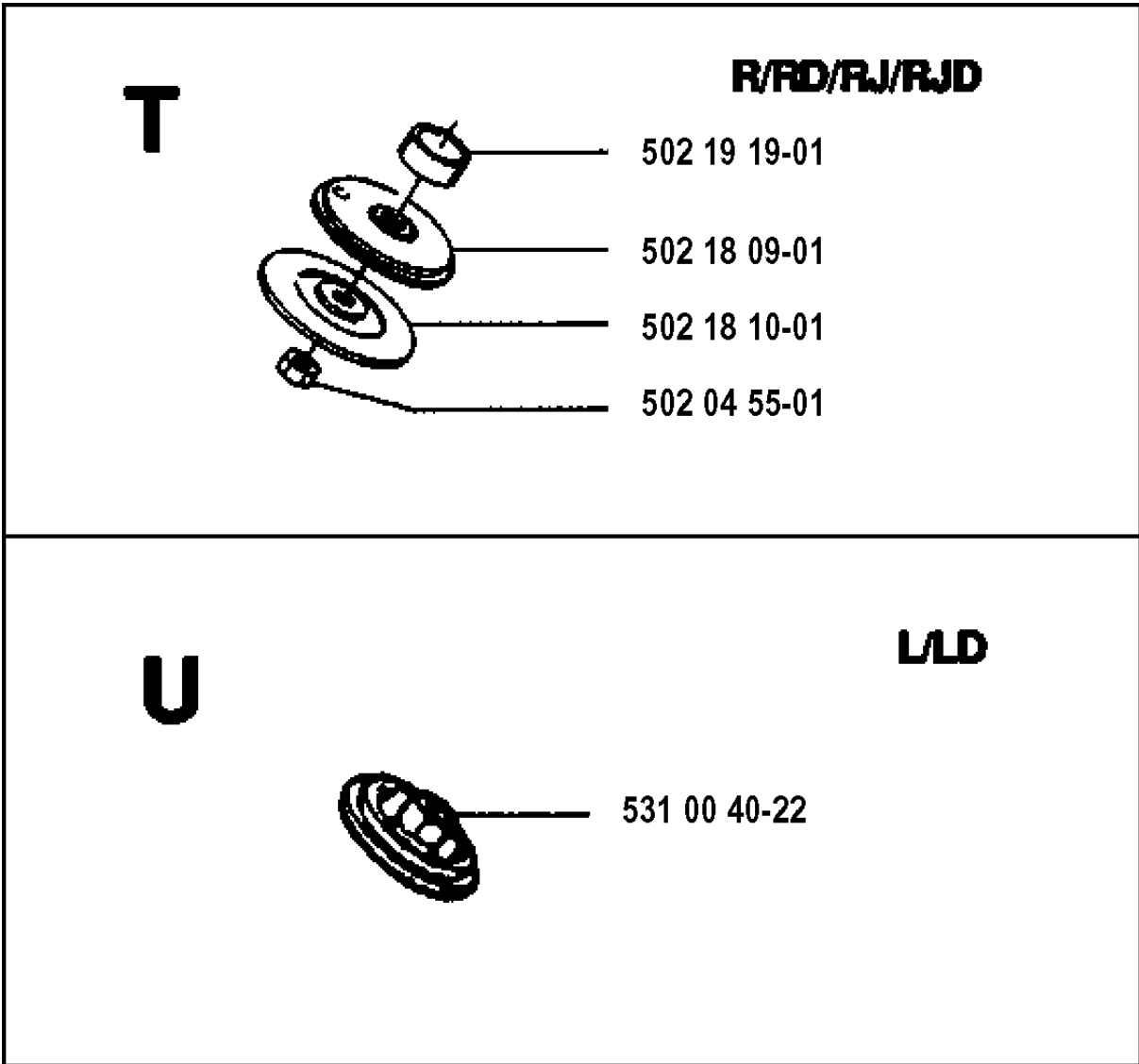
531 00 24-67 (132)



SHAFT

125 RD, 19931400001-Current

Part No	Description	Remark	QTY KIT
502 18 05-01	DRIVE TUBE	125	1
502 19 10-02	SHAFT		1
531 00 24-67	TUBE	132	1



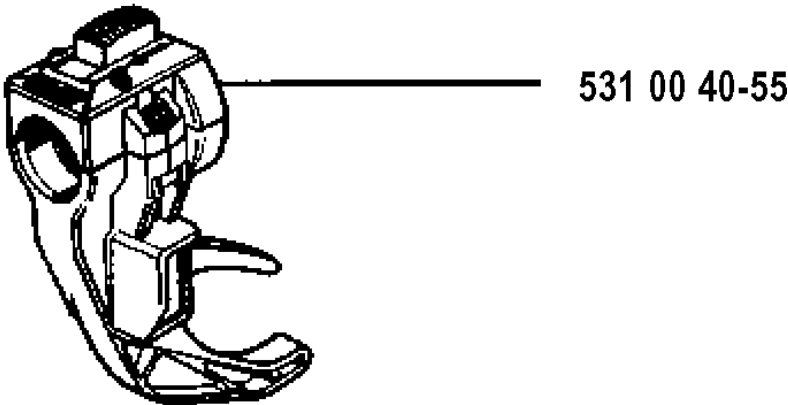
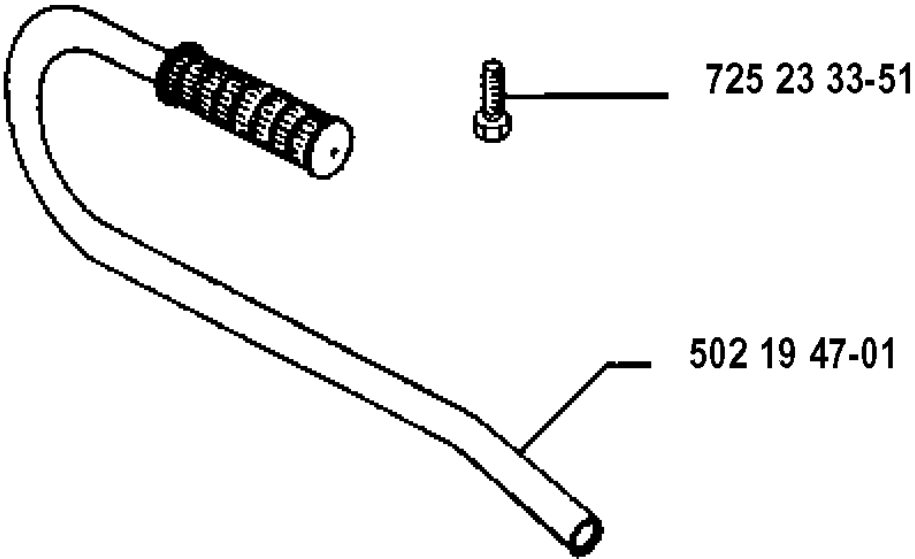
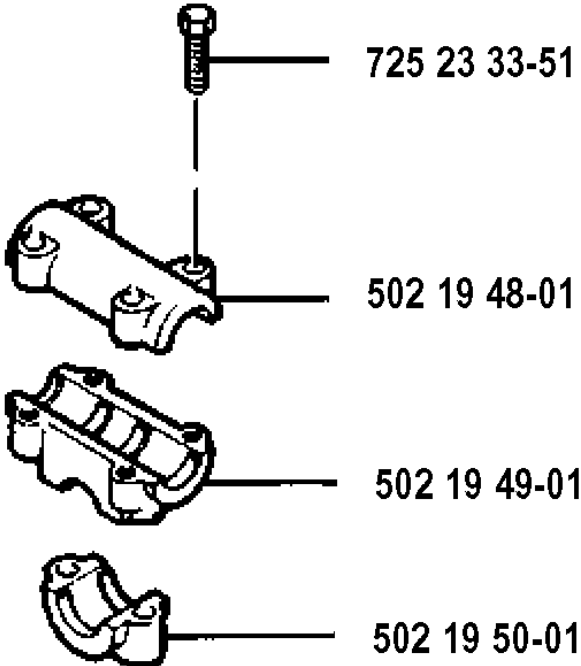
BEVEL GEAR

125 RD, 19931400001-Current

Part No	Description	Remark	QTY KIT
502 04 55-01	NUT		1
502 18 09-01	DRIVER		1
502 18 10-01	FLANGE		1
502 19 19-01	SPACER		1

**Q**

**J**

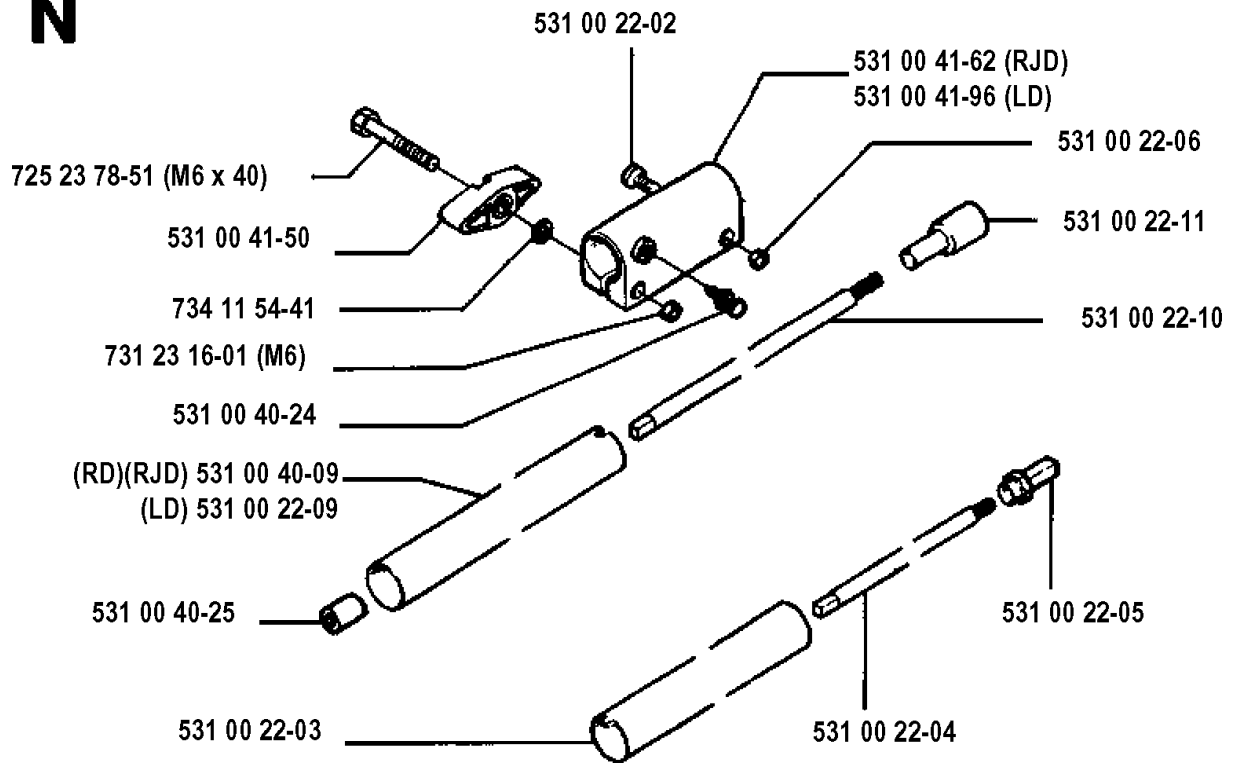


## HANDLE &amp; CONTROLS

125 RD, 19931400001-Current

Part No	Description	Remark	QTY KIT
502 19 47-01	HANDLE		1
502 19 48-01	HOLDER		1
502 19 49-01	HOLDER		1
502 19 50-01	BRACKET		1
531 00 40-55	THROTTLE TRIGGER		1
725 23 33-51	SCREW EHHM		1
725 23 33-51	SCREW EHHM		1

**N**

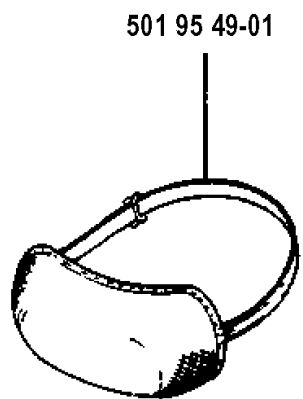
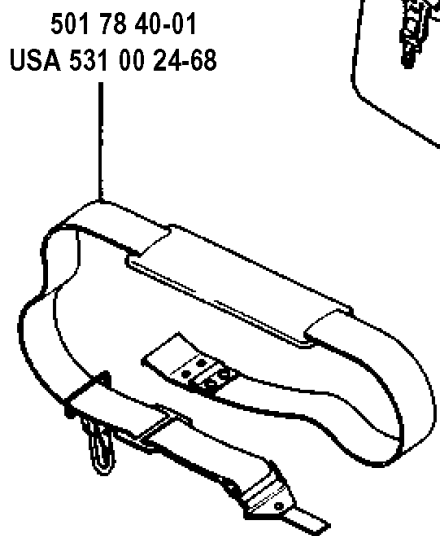
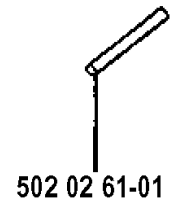
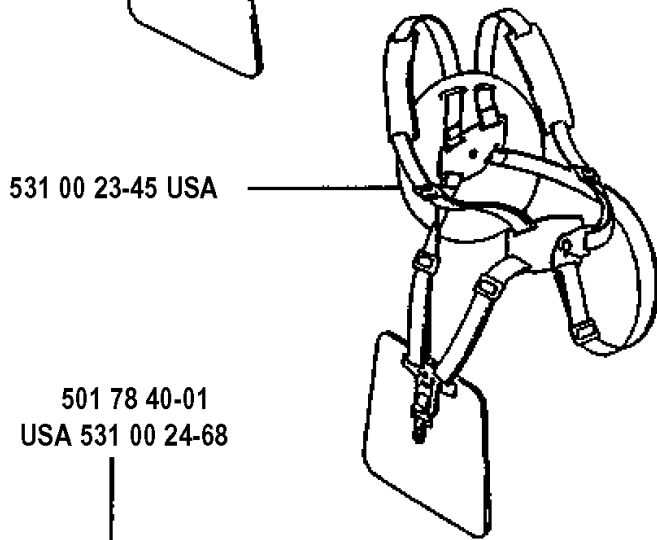
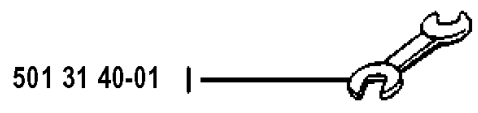
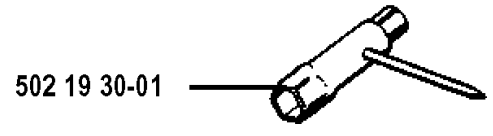
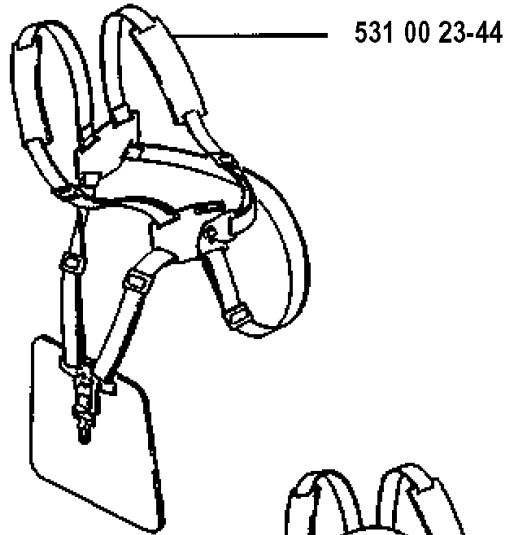


## SHAFT

125 RD, 19931400001-Current

Part No	Description	Remark	QTY KIT
531 00 22-02	SCREW		1
531 00 22-03	UPPER DRIVE TUBE		1
531 00 22-04	DRIVE SHAFT		1
531 00 22-05	ADAPTER		1
531 00 22-06	NUT		1
531 00 22-09	DRIVER	LD	1
531 00 22-10	DRIVE SHAFT		1
531 00 22-11	ADAPTER		1
531 00 40-09	TUBE	RD RJD	1
531 00 40-24	SCREW		1
531 00 40-25	BUSHING		1
531 00 41-50	GRIP		1
531 00 41-62	CLUTCH	RJD	1
531 00 41-96	WASHER	LD	1
725 23 78-51	SCREW EHHM	M6 X 40	1
731 23 16-01	HEXAGON NUT	M6	1
734 11 54-41	WASHER		1

# R





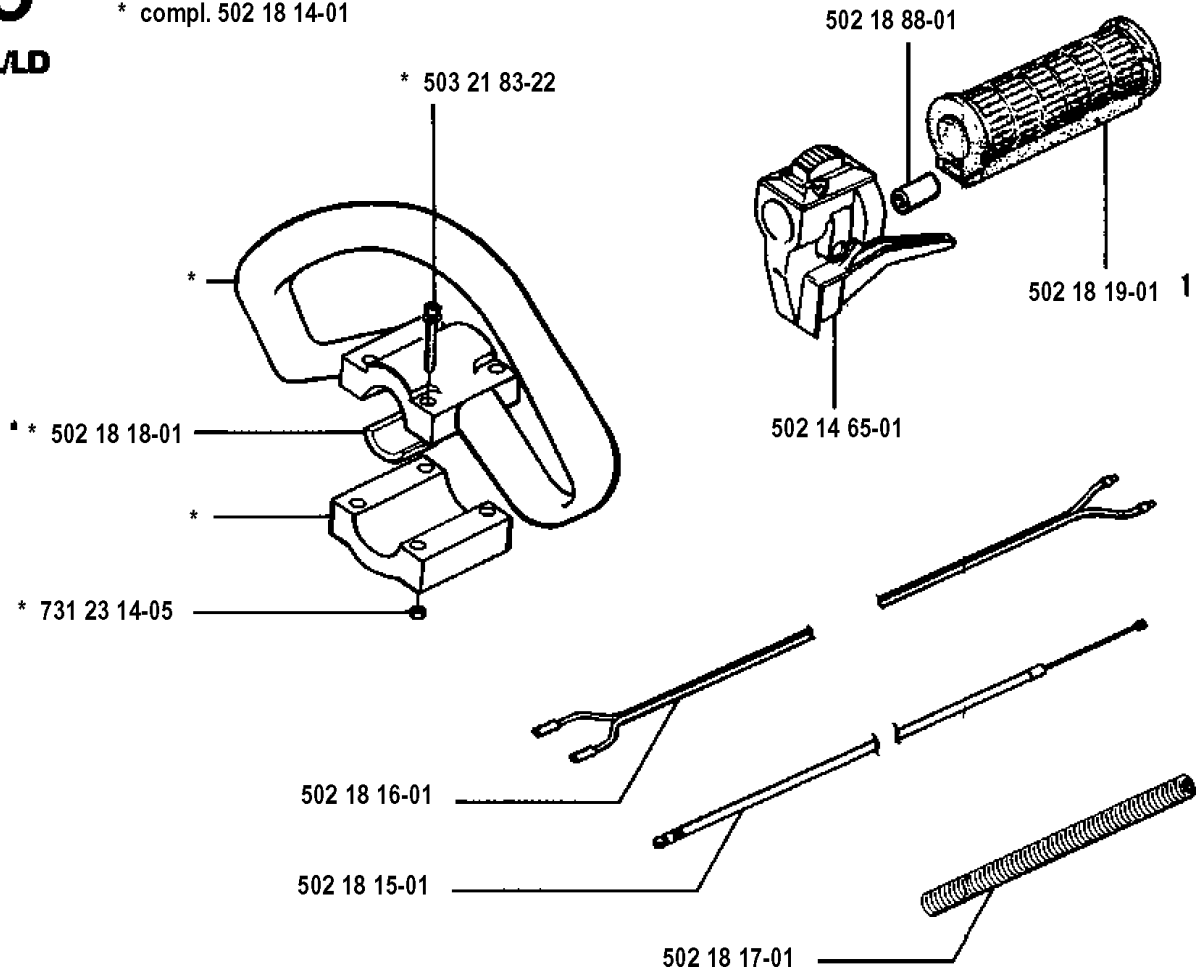
## HARNESS

125 RD, 19931400001-Current

Part No	Description	Remark	QTY KIT
501 31 40-01	SPANNER OPEN-ENDED		1
501 78 40-01	HARNESS		1
501 95 49-01	SAFETY GLASSES		1
502 02 61-01	STOP		1
502 19 30-01	COMBI TOOL		1
531 00 23-44	HARNESS		1
531 00 23-45	HARNESS	USA	1
531 00 24-68	HARNESS	USA	1

**O**  
**L/LD**

\* compl. 502 18 14-01

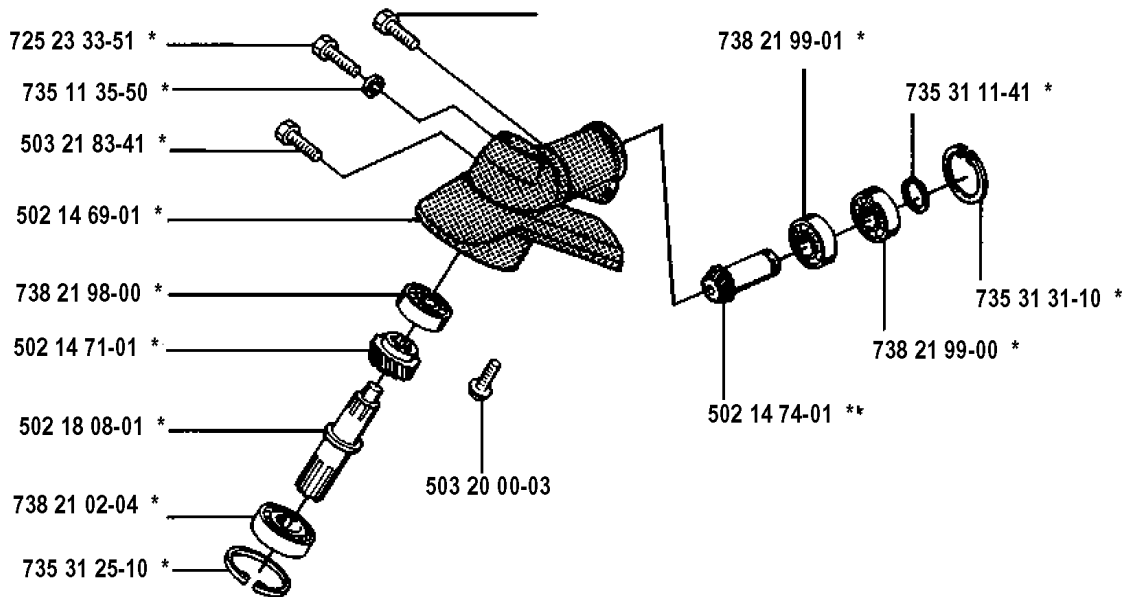


## HANDLE &amp; CONTROLS

125 RD, 19931400001-Current

Part No	Description	Remark	QTY KIT
502 14 65-01	THROTTLE CONTROL		1
502 18 14-01	HANDLE		1
502 18 15-01	THROTTLE WIRE		1
502 18 16-01	LEAD		1
502 18 17-01	PROTECTOR		1
502 18 18-01	DAMPER		1
502 18 19-01	HANDLE		1
502 18 88-01	CONNECTION		1
503 21 83-22	SCREW		1
731 23 14-05	HEXAGON NUT		1

**S**



\* compl 531 00 40-26

## BEVEL GEAR

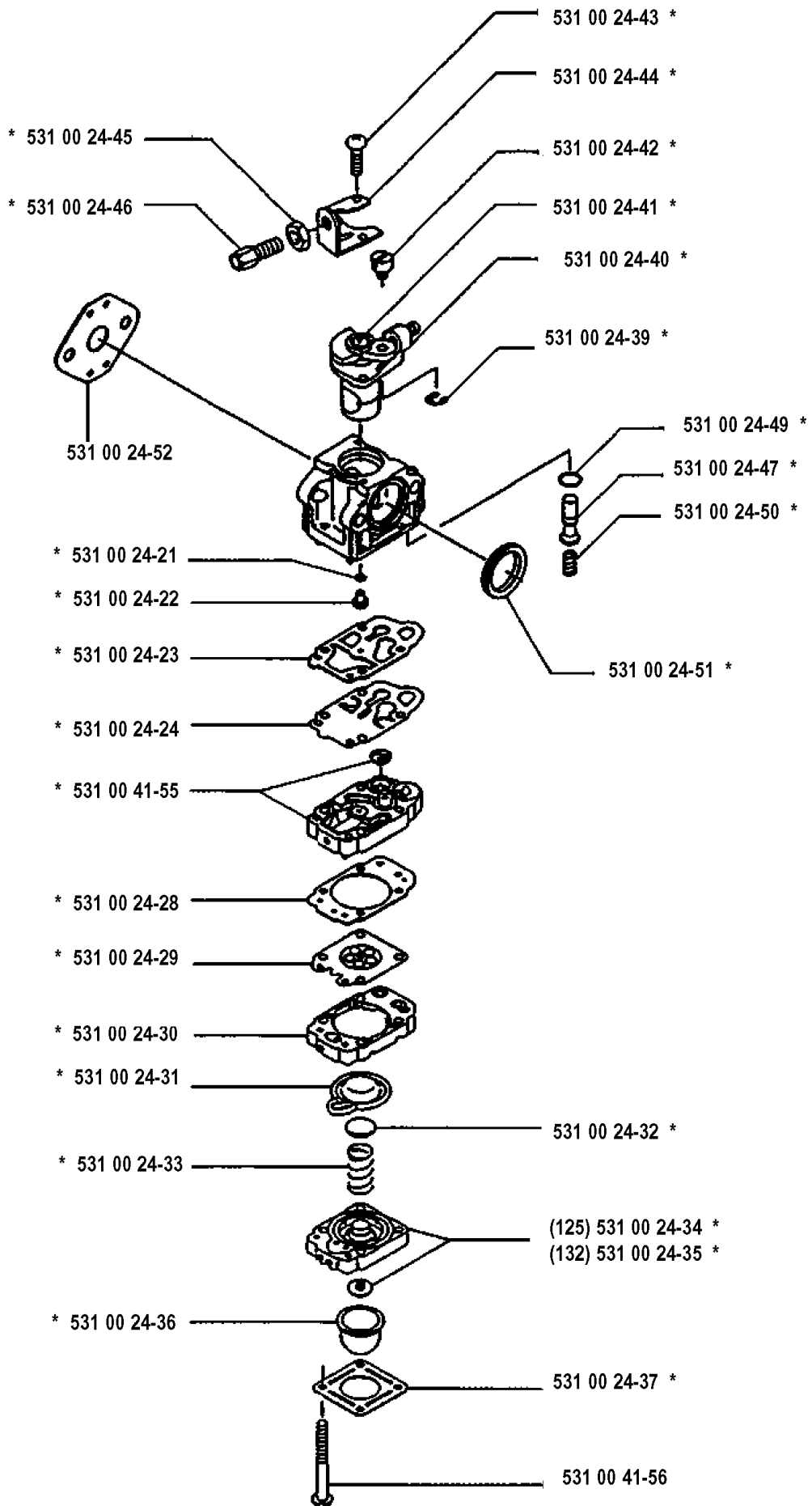
125 RD, 19931400001-Current

Part No	Description	Remark	QTY KIT
502 14 69-01	GEAR HOUSING		1
502 14 71-01	GEAR WHEEL		1
502 14 74-01	AXLE		1
502 18 08-01	AXIS		1
503 20 00-03	SCREW		1
503 21 83-41	SCREW		1
531 00 40-26	BEVEL GEAR		1
725 23 33-51	SCREW EHHM		1
735 11 35-50	WASHER		1
735 31 11-41	RETAINER RING		1
735 31 25-10	CIRCLIP		1
735 31 31-10	CIRCLIP		1
738 21 02-04	BALL BEARING		1
738 21 98-00	BALL BEARING		1
738 21 99-00	BALL BEARING		1
738 21 99-01	BALL BEARING		1

**P**

\* compl 531 00 24-50 (132)

\* compl 531 00 24-19 (125)



## CARBURETOR DETAILS

125 RD, 19931400001-Current

Part No	Description	Remark	QTY KIT
531 00 24-19	CARBURETTOR	125	1
531 00 24-21	O-RING		1
531 00 24-22	JET		1
531 00 24-23	GASKET		1
531 00 24-24	DIAPHRAGM		1
531 00 24-28	GASKET		1
531 00 24-29	DIAPHRAGM		1
531 00 24-30	HOUSING		1
531 00 24-31	DIAPHRAGM		1
531 00 24-32	HOLDER		1
531 00 24-33	SPRING		1
531 00 24-34	HOUSING	125	1
531 00 24-35	HOUSING	132	1
531 00 24-36	BULB		1
531 00 24-37	COVER		1
531 00 24-39	CIRCLIP		1
531 00 24-40	THROTTLE VALVE		1
531 00 24-41	PLUG		1
531 00 24-42	CONNECTION		1
531 00 24-43	SCREW		1
531 00 24-44	BRACKET		1
531 00 24-45	NUT		1
531 00 24-46	SCREW		1
531 00 24-47	VALVE		1
531 00 24-49	O-RING		1
531 00 24-50	SPRING		1
531 00 24-50	SPRING	132	1
531 00 24-51	GASKET		1
531 00 24-52	GASKET		1
531 00 41-55	PUMP BODY		1
531 00 41-56	SCREW		1