

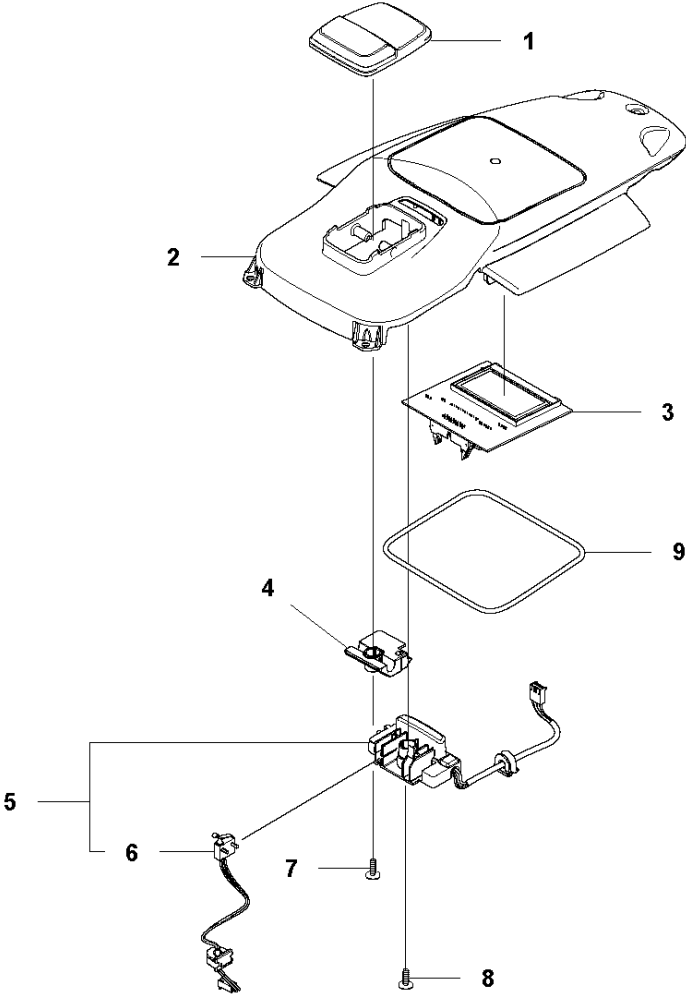


# SPARE PARTS LIST

ROBOTIC LAWN MOWERS

AUTOMOWER 550, 2020-

**C** AUTOMOWER 520, 550  
CENTER CONSOL

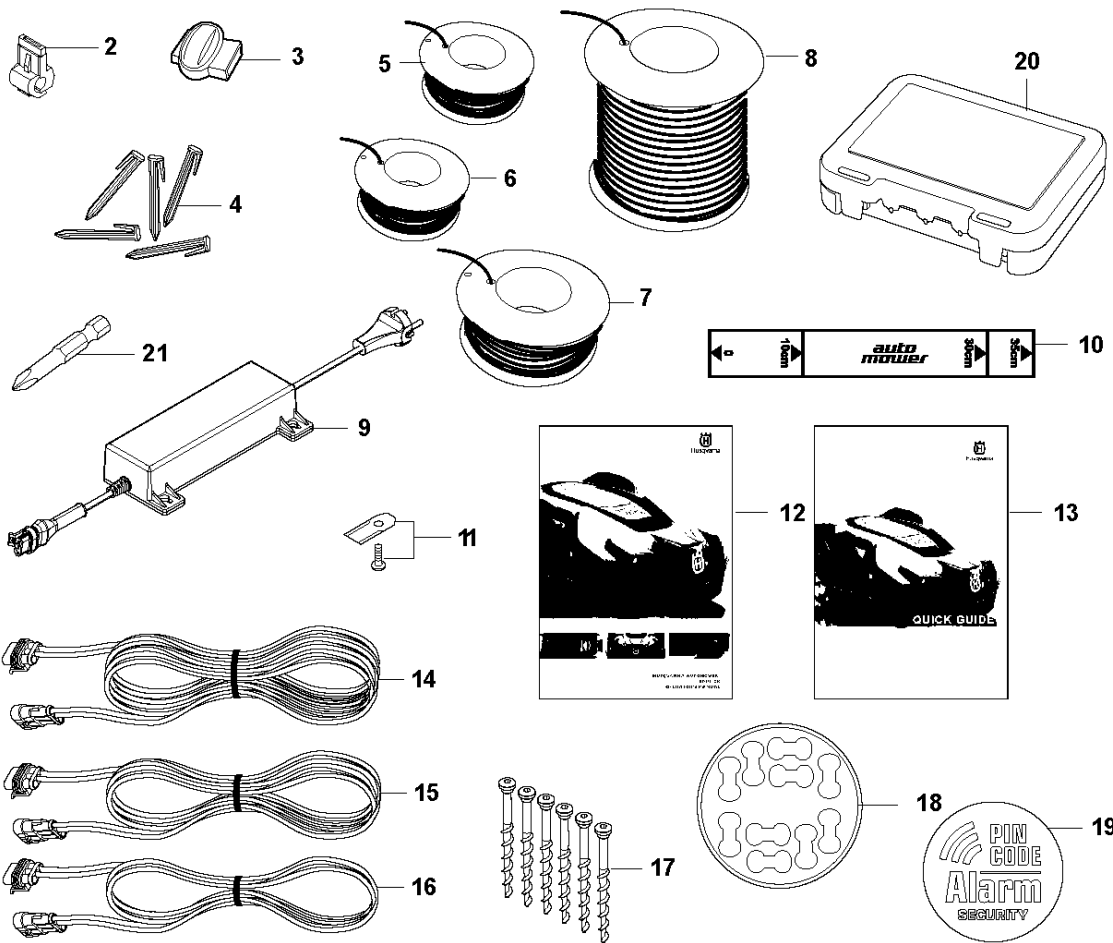
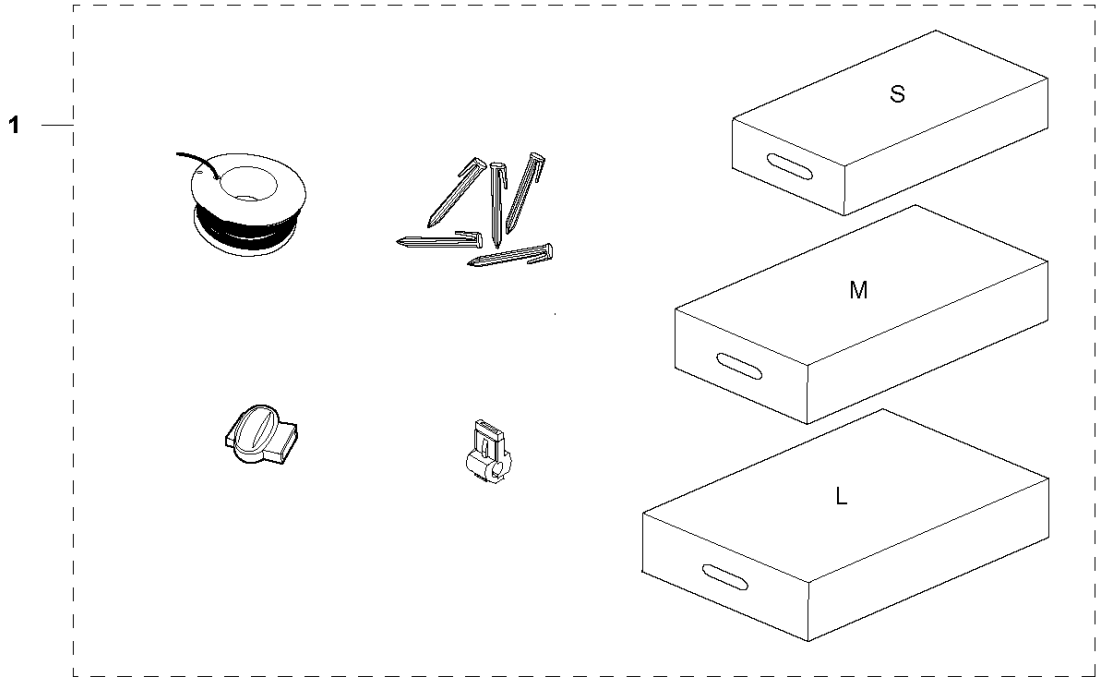


CENTER CONSOL

AUTOMOWER 550, 2020-

Ref	Part No	Description	Remark	QTY	KIT
1	589 33 61-01	BUTTON	Button Start /Stop	1	
2	589 33 60-01	CONSOLE	Console Center	1	
3	592 91 04-01	PRINTED CIRCUIT ASSY	Printed Circuit HMI	1	
4	589 33 62-01	SUPPORT	Support	1	
5	589 33 66-01	HOUSING ASSY	Housing Assy	1	
6	574 48 03-02	SWITCH	Switch micro	1	5
7	575 54 33-14	SCREW	Screw	1	
8	575 54 33-14	SCREW	Screw	1	
9	574 87 47-06	SEALING STRIP		1	

# H AUTOMOWER 520, 550 INSTALLATION ACCESSORIES

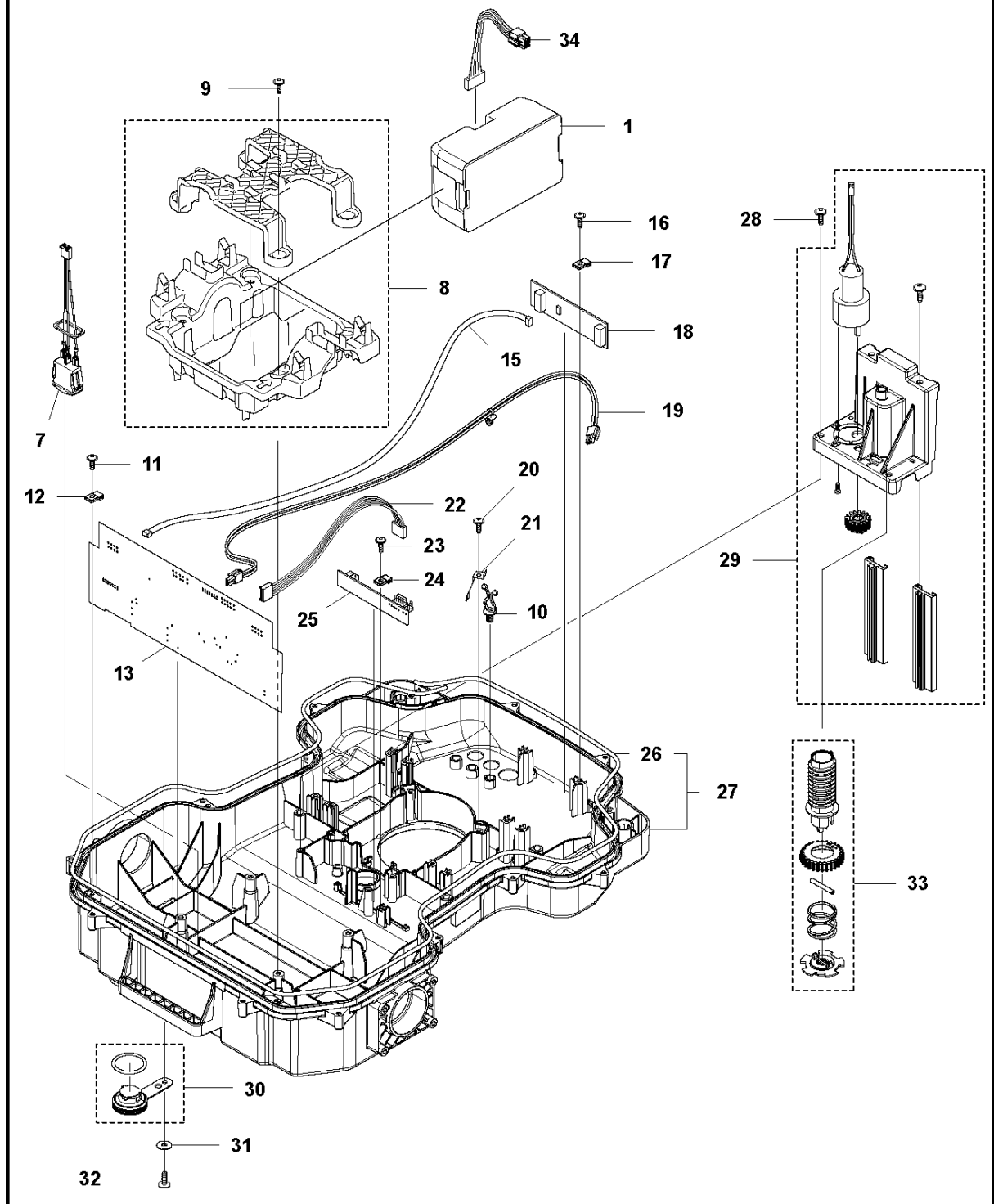
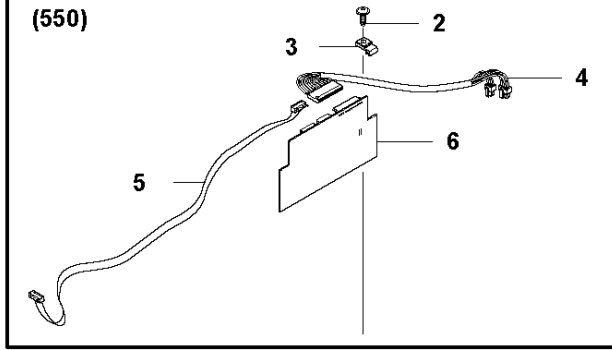


INSTALLATION ACCESSORIES

AUTOMOWER 550, 2020-

Ref	Part No	Description	Remark	QTY	KIT
1	967 62 36-01	INSTALLATION KIT	Installation KIT S Wire (150 m), Staples (300 pcs), Connectors (5 pcs), Couplers (3 pcs)	1	
1	967 62 36-02	INSTALLATION KIT	Installation KIT M Wire (250 m), Staples (400 pcs), Connectors (5 pcs), Couplers (3 pcs)	1	
1	967 62 36-03	INSTALLATION KIT	Installation KIT L Wire (400 m), Staples (600 pcs), Connectors (5 pcs), Couplers (5 pcs)	1	
2	535 12 90-01	CONNECTOR	Loop Wire Connector	1	1
2	577 86 48-01	CONNECTOR	Loop Wire Connector, Blister Pack, 5 pcs	1	
2	535 12 90-02	CONNECTOR	Loop Wire Connector, 100pcs	1	
3	501 98 02-01	COUPLER	Coupler	1	1
3	577 86 47-01	COUPLER	Coupler, Blister pack, 5 pcs	1	
3	501 98 02-03	COUPLER	Coupler, 100 pcs	1	
4	577 86 42-01	STAPLE	Staple, 85 mm, Blister pack, 100 pcs	1	
4	583 97 34-01	STAPLE	Staple, 85 mm, 100 pcs	1	1
5	577 86 43-02	WIRE	Wire, Blister pack (50 m)	1	
5	580 66 20-02	WIRE	Wire (150 m)	1	1
5	577 86 43-01	WIRE	Wire, Blister pack, (150 m)	1	
6	580 66 20-01	WIRE	Wire (250 m)	1	1
7	522 91 41-01	WIRE	Wire (500 m, Ø3.4 mm)	1	
8	580 66 20-04	WIRE	Wire (800 m)	1	
9	590 44 25-01	POWER UNIT	Power Supply Unit (EU) 550	1	
9	590 44 25-02	POWER UNIT	Power Supply Unit (UK/IRL) 550	1	
9	590 44 25-03	POWER UNIT	Power Supply Unit (CH) 550	1	
9	590 44 25-04	POWER UNIT	Power Supply Unit (US/CA) 550	1	
9	590 44 25-05	POWER UNIT	Power Supply Unit (AU/NZ) 550	1	
9	590 44 25-08	POWER UNIT	Power Supply Unit(BRA) 550	1	
10	544 17 75-01	MEASURING TAPE	Measuring Tape	1	
11	577 86 46-03	BLADE SET	Long Life Safety Blade, Blister Pack, 9 pcs	1	
11	577 60 65-05	BLADE SET	Long Life Safety Blade, 45 pcs	1	
11	577 60 66-04	BLADE SET	Long Life Safety Blade, 300 pcs	1	
14	588 76 50-04	CABLE	Low Voltage Cable 20 m	1	
15	588 76 50-05	CABLE	Low Voltage Cable 10 m	1	
16	588 76 50-06	CABLE	Low Voltage Cable 3 m	1	
17	575 23 86-01	SCREW KIT	Screw KIT, 6 pcs	1	
17	577 86 49-01	SCREW	Screw KIT, Blister Pack, 3 pcs	1	
18	586 27 79-01	STICKER	Sticker Cable markers, 10 pcs	1	
19	579 57 12-01	LABEL	Label Alarm	1	
20	590 85 50-01	BOX	Cable Connector Protection	1	
21	596 33 98-01	TOOL	Bit for Automower blades MOQ 5 pcs	1	

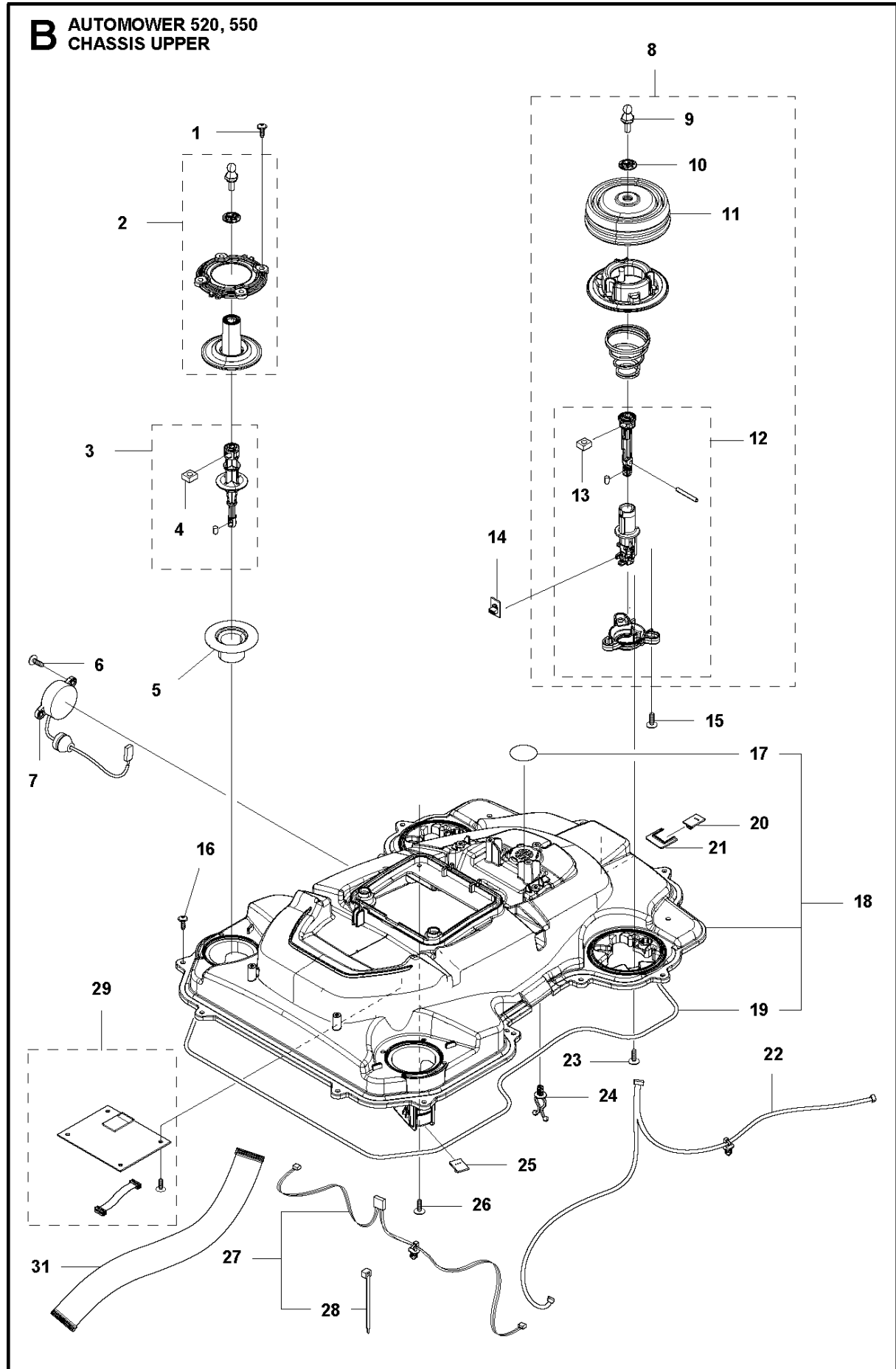
**D** AUTOMOWER 520, 550  
CHASSIS LOWER



## CHASSIS LOWER

AUTOMOWER 550, 2020-

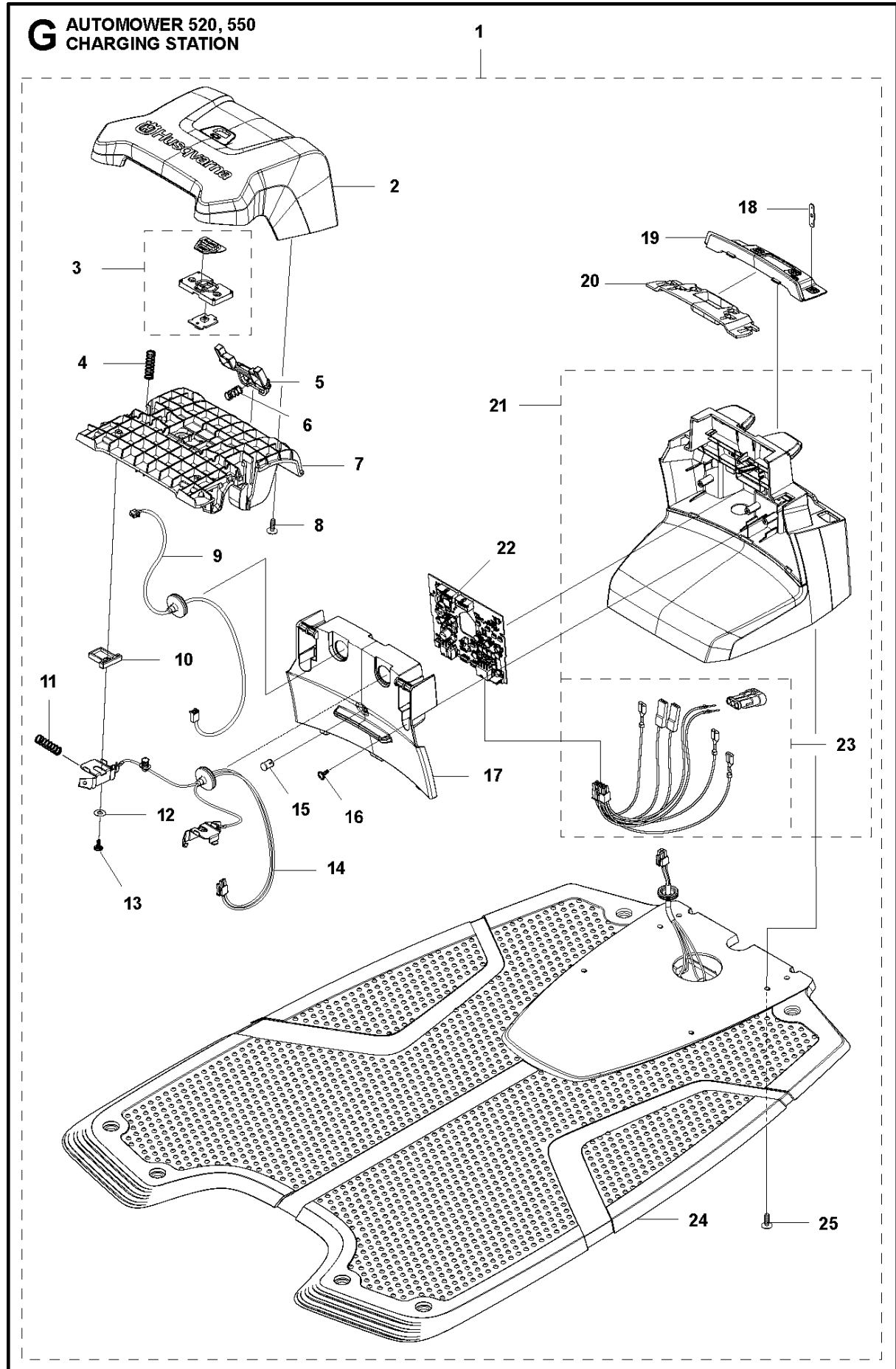
Ref	Part No	Description	Remark	QTY	KIT
1	593 24 74-01	BATTERY	Battery AM550	2	
2	575 54 33-14	SCREW	Screw	2	
3	579 52 94-01	CLAMP	Clamp	2	
4	580 61 44-01	WIRING ASSY	US-Extension Wiring	1	
5	579 70 86-01	WIRING ASSY	AUX Cable	1	
6	578 28 57-01	PRINTED CIRCUIT ASSY	Printed Circuit Ultrasonic	1	
7	579 70 87-01	WIRING ASSY	Switch On-Off	1	
8	596 49 47-01	HOLDER KIT		1	
9	574 45 01-01	SCREW ITXPANT	Screw	5	
10	580 68 29-01	HOLDER	Holder Twist Lock	7	
11	575 54 33-14	SCREW	Screw	2	
12	579 52 94-01	CLAMP	Clamp	2	
13	592 85 26-01	PRINTED CIRCUIT ASSY	Main Board	1	
15	579 70 82-01	WIRING ASSY	Sensor Cable	1	
16	575 54 33-14	SCREW	Screw	2	
17	579 52 94-01	CLAMP	Clamp	2	
18	592 85 27-01	PRINTED CIRCUIT ASSY	Printed Circuit Loop Sensor	1	
19	580 37 07-02	LOOM	Charging Cable	1	
20	575 54 33-14	SCREW	Screw	2	
21	581 55 61-01	SPRING	Spring	2	
22	579 70 80-01	WIRING ASSY	Height Adjustment Wiring	1	
23	575 54 33-14	SCREW	Screw	1	
24	579 52 94-01	CLAMP	Clamp	1	
25	579 72 85-02	PRINTED CIRCUIT ASSY	Printed Circuit Height Adjustment	1	
26	574 87 47-05	SEALING STRIP	Sealing Strip (1 pcs, Ø5 mm)	1	27
27	583 94 45-02	CHASSIS KIT	Chassis KIT	1	
28	575 54 33-14	SCREW	Screw	4	
29	501 06 83-01	MOTOR ASSY	Motor KIT	1	
30	581 62 12-02	PLUG KIT	Plug KIT	1	
31	734 11 37-41	WASHER	Washer	1	
32	574 45 01-01	SCREW ITXPANT	Screw	1	
33	581 62 16-01	SCREW KIT	Gear KIT	1	
34	591 20 36-01	WIRING ASSY		1	



## CHASSIS UPPER

AUTOMOWER 550, 2020-

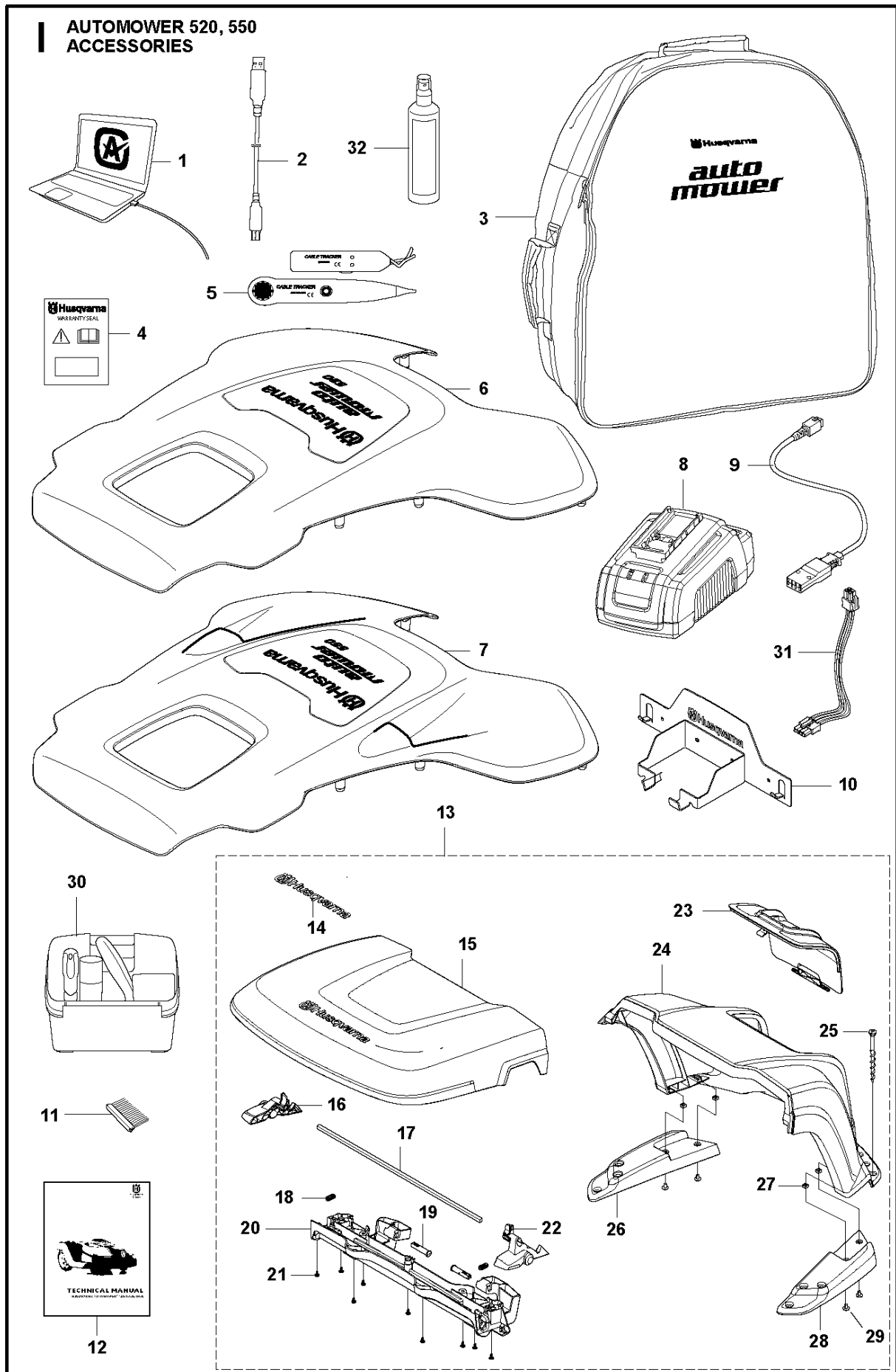
Ref	Part No	Description	Remark	QTY	KIT
1	574 45 01-01	SCREW ITXPANT	Screw	8	
2	501 06 13-01	JOYSTICK KIT	Joystick KIT Rear	2	
3	501 12 26-02	JOYSTICK KIT	Column KIT	2	
4	503 22 66-01	SQUARE NUT	Square Nut	2	3
5	535 14 32-01	DEFLECTION LIMITER	Deflection Limiter	2	
6	575 54 33-14	SCREW	Screw	2	
7	579 70 63-02	BUZZER	Buzzer	1	
8	581 62 09-03	JOYSTICK KIT	Joystick KIT Front	2	
9	580 52 67-01	STUD	Stud	2	8
10	579 52 57-01	WASHER	Washer	2	8
11	579 47 46-01	BELLOWS	Bellows	2	8
12	587 44 88-02	JOYSTICK KIT	Joystick KIT	2	8
13	503 22 66-01	SQUARE NUT	Square Nut	2	8,12
14	592 85 23-01	PRINTED CIRCUIT ASSY	PCBA Lift Sensor	2	
15	575 54 33-14	SCREW	Screw	6	
16	574 45 01-01	SCREW ITXPANT	Screw	14	
17	577 75 37-01	AIR FILTER	Air Filter 10 pcs	1	18
18	581 62 08-02	CHASSIS KIT	Chassis KIT	1	
19	574 87 47-05	SEALING STRIP	Sealing Strip (1 pcs, Ø5 mm)	1	18
20	592 85 24-01	PRINTED CIRCUIT ASSY	PCBA Collision Sensor	1	
21	587 83 49-01	CLIP	Clip	1	
22	581 66 09-01	WIRING ASSY	Wiring	1	
23	574 45 01-01	SCREW ITXPANT	Screw	6	
24	580 68 29-01	HOLDER	Holder Twist Lock	2	
25	592 85 24-01	PRINTED CIRCUIT ASSY	PCBA Collision Sensor	1	
26	574 45 01-01	SCREW ITXPANT	Screw	4	
27	581 62 11-01	LOOM KIT	Wiring KIT	1	
28	900 23 87-08	TIE WRAP	Tie Wrap	2	27
29	586 66 23-05	GPS MODULE	Automower Connect KIT	1	
31	579 70 62-01	CABLE ASSY	Wiring	1	



## CHARGING STATION

AUTOMOWER 550, 2020-

Ref	Part No	Description	Remark	QTY	KIT
1	593 78 47-02	CHARGING STATION	Charging Station	1	
2	579 44 82-04	CAP	Cap	1	
3	501 06 59-01	BUTTON KIT	Home Button KIT	1	
4	580 51 14-01	SPRING	Spring	2	
5	579 46 24-02	BUTTON	Button - Release	1	
6	574 48 70-01	SPRING	Spring	1	
7	579 45 80-04	FRAME	Frame	1	
8	575 54 33-14	SCREW	Screw	4	
9	579 70 83-01	LOOM	Home Button Wiring	1	
10	579 46 05-01	SPACER	Distance	2	
11	580 51 14-01	SPRING	Spring	2	
12	734 11 37-41	WASHER	Washer	2	
13	575 54 33-14	SCREW	Screw	2	
14	585 53 95-02	CABLE ASSY	Loom Charging Contact	1	
15	590 21 72-01	LENS	Lens	1	
16	575 54 33-14	SCREW	Screw	2	
17	579 45 97-03	LID	Lid	1	
18	580 50 41-01	TERMINAL	Terminal	5	
19	579 45 98-03	PANEL	Panel	1	
20	579 45 99-01	HOLDER	Holder	1	
21	588 18 88-01	HOUSING ASSY	Housing KIT	1	
22	592 89 45-01	PRINTED CIRCUIT ASSY	Printed Circuit PCBA Charging Station	1	
23	588 47 89-01	CABLE KIT	Cable KIT	1	21
24	590 09 40-01	BASE ASSY	Charging Plate	1	
25	575 54 33-14	SCREW	Screw	4	



## ACCESSORIES

## AUTOMOWER 550, 2020-

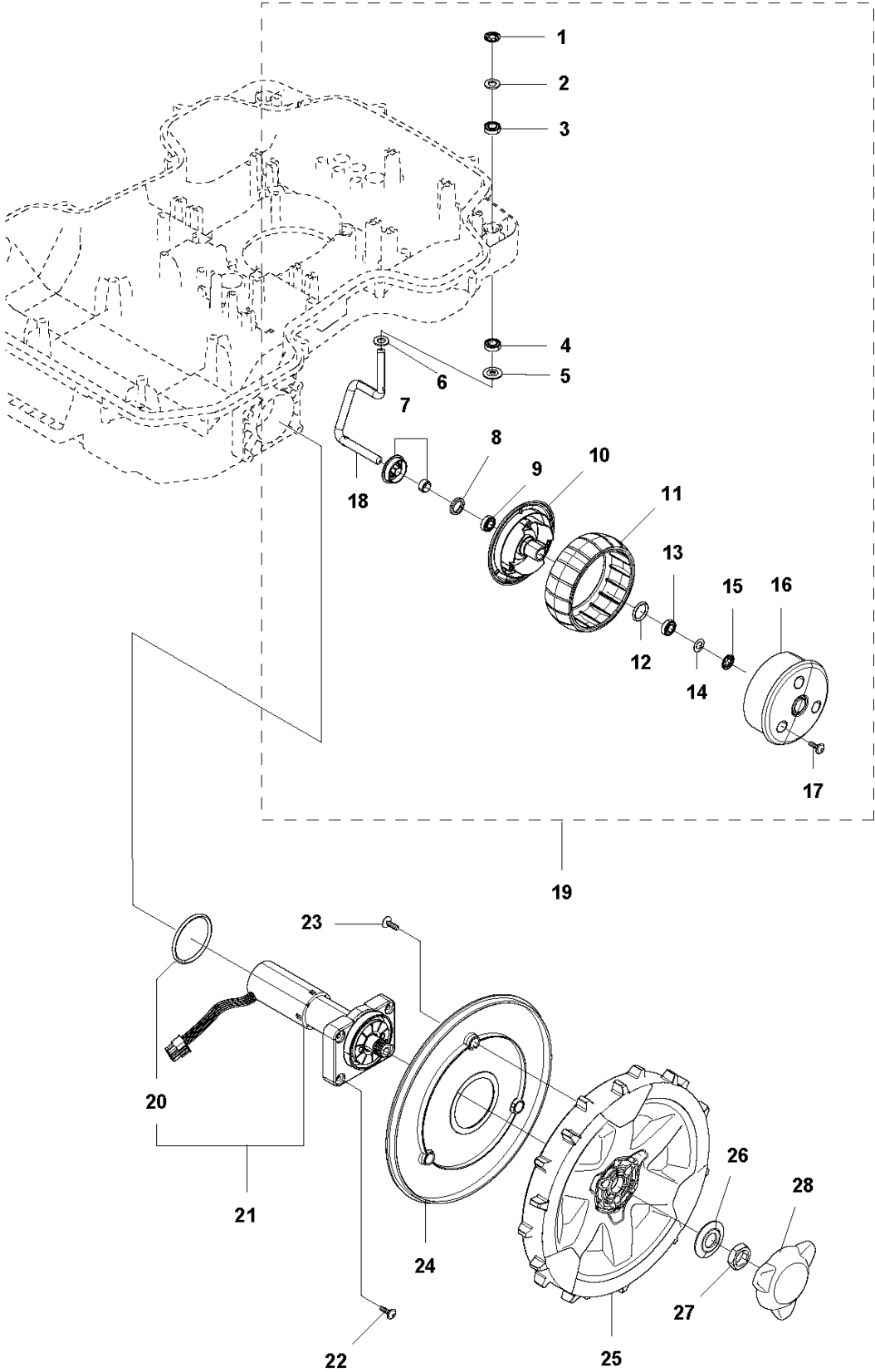
Ref	Part No	Description	Remark	QTY	KIT
2	577 51 81-02	CABLE	Service Cable (USB)	1	
3	522 91 67-01	BAG	Bag	1	
4	580 68 95-02	LABEL	Warranty Seal 1pcs	1	
5	577 60 68-01	TEST EQUIPMENT	Interruption Detector	1	
6	591 49 60-01	BODY KIT	Cover KIT Top Robotic Grey 520	1	
6	591 49 60-02	BODY KIT	Cover KIT Top Orange 520	1	
7	591 49 61-01	BODY KIT	Cover KIT Top Robotic Grey 550	1	
7	591 49 61-02	BODY KIT	Cover KIT Top Orange 550	1	
8	588 40 84-01	CHARGER	Quick Charger with Battery Test	1	
9	588 20 26-01	CABLE ASSY	Cable Quick Charger	1	
10	585 01 97-02	WALL HANGER	Wall Hanger	1	
11	581 98 20-02	BRUSH KIT	Brush, 6 pcs	1	
12	115 81 90-01	WORKSHOP MANUAL	Technical Handbook -420, 430X, 450X Swedish	1	
12	115 81 90-06	WORKSHOP MANUAL	Technical Handbook -420, 430X, 450X Danish	1	
12	115 81 90-11	WORKSHOP MANUAL	Technical Handbook -420, 430X, 450X Finnish	1	
12	115 81 90-21	WORKSHOP MANUAL	Technical Handbook -420, 430X, 450X Norwegian	1	
12	115 81 90-26	WORKSHOP MANUAL	Technical Handbook -420, 430X, 450X English	1	
12	115 81 90-31	WORKSHOP MANUAL	Technical Handbook -420, 430X, 450X French	1	
12	115 81 90-36	WORKSHOP MANUAL	Technical Handbook -420, 430X, 450X Dutch	1	
12	115 81 90-41	WORKSHOP MANUAL	Technical Handbook -420, 430X, 450X Italian	1	
12	115 81 90-46	WORKSHOP MANUAL	Technical Handbook -420, 430X, 450X Spanish	1	
12	115 81 90-51	WORKSHOP MANUAL	Technical Handbook -420, 430X, 450X German	1	
12	115819056	TBD	Technical Handbook -420, 430X, 450X Russian	1	
12	115819058	TBD	Technical Handbook -420, 430X, 450X Hungarian	1	
12	115819059	TBD	Technical Handbook -420, 430X, 450X Portuguese	1	
12	115819061	TBD	Technical Handbook -420, 430X, 450X Polish	1	
12	115819062	TBD	Technical Handbook -420, 430X, 450X Romanian	1	
12	115819063	TBD	Technical Handbook -420, 430X, 450X Estonian	1	
12	115819064	TBD	Technical Handbook -420, 430X, 450X Latvian	1	
12	115819065	TBD	Technical Handbook -420, 430X, 450X Lithuanian	1	
12	115819068	TBD	Technical Handbook -420, 430X, 450X Slovakian	1	
12	115819071	TBD	Technical Handbook -420, 430X, 450X Greek	1	
12	115819076	TBD	Technical Handbook -420, 430X, 450X Turkish	1	
12	115819079	TBD	Technical Handbook -420, 430X, 450X Japanese	1	
12	115819081	TBD	Technical Handbook -420, 430X, 450X Croatian	1	
12	115 81 90-84	WORKSHOP MANUAL	Technical Handbook -420, 430X, 450X Slovenian	1	
12	115819090	TBD	Technical Handbook -420, 430X, 450X Czech	1	
12	115819096	TBD	Technical Handbook -420, 430X, 450X Spanish (USA)	1	
13	585 01 94-01	HOUSING	House KIT	1	
14	577 46 90-01	DECAL	Decal	1	13
15	586 88 58-01	KIT	Cover Lid	1	13

## ACCESSORIES

AUTOMOWER 550, 2020-

Ref	Part No	Description	Remark	QTY	KIT
16	585 32 40-02	HANDLE	Handle Left	1	13
17	585 32 41-01	ROD	Steel Rod	1	13
18	580 51 14-01	SPRING	Spring	2	13
19	585 34 15-01	HINGE PIN	Hinge Pin	2	13
20	585 34 16-01	BEAM	Beam	1	13
21	575 54 33-14	SCREW	Screw	9	13
22	585 32 40-01	HANDLE	Handle Right	1	13
23	585 32 36-01	HATCH	Hatch	1	13
24	585 32 34-01	COVER	Cover Base	1	13
25	575 23 86-01	SCREW KIT	Screw KIT, 6 pcs	1	13
26	585 32 38-02	SUPPORT	Support Base Left	1	13
27	503 22 66-01	SQUARE NUT	Square Nut	4	13
28	585 32 38-01	SUPPORT	Support Base Right	1	13
29	535 12 93-03	SCREW IHPANM	Screw	4	13
30	590 85 51-01	KIT	Maintenance and cleaning kit	1	
31	591 20 36-01	WIRING ASSY		1	
32	593 96 79-01	SPRAY		1	

**E** AUTOMOWER 520, 550  
WHEELS & TIRES

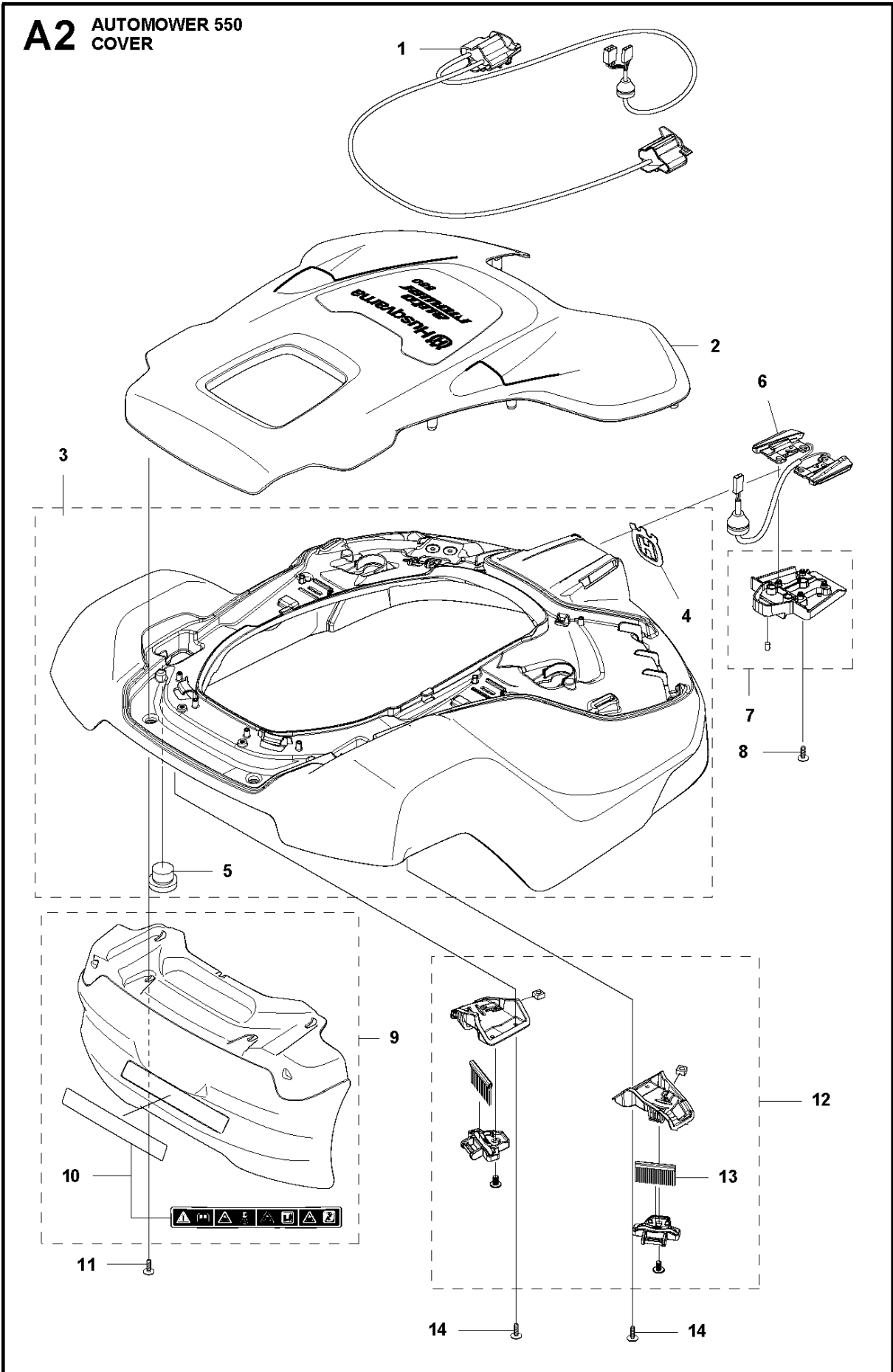


## WHEELS &amp; TIRES

AUTOMOWER 550, 2020-

Ref	Part No	Description	Remark	QTY	KIT
1	576 01 93-02	LOCKWASHER	Lock Washer	2	19
2	580 76 46-01	WASHER	Washer	2	19
3	580 60 51-01	BALL BEARING	Ball Bearing	2	19
3	597 79 56-01	BALL BEARING	Tube 50 pcs	1	
4	580 60 51-01	BALL BEARING	Ball Bearing	2	19
4	597 79 56-01	BALL BEARING	Tube 50 pcs	1	
5	535 08 78-03	WASHER	Washer	2	19
6	580 76 46-01	WASHER	Washer	2	19
7	581 62 15-01	SHIELD KIT	Shield KIT	2	19
8	580 48 71-01	SEALING	Sealing	2	19
9	580 60 51-01	BALL BEARING	Ball Bearing	2	19
9	597 79 56-01	BALL BEARING	Tube 50 pcs	1	
10	579 45 71-01	WHEEL	Wheel Inside	2	19
11	574 44 98-01	WHEEL	Tire	2	19
12	580 44 51-01	O-RING	O-Ring	2	19
13	580 60 51-01	BALL BEARING	Ball Bearing	2	19
13	597 79 56-01	BALL BEARING	Tube 50 pcs	1	
14	580 76 46-01	WASHER	Washer	2	19
15	576 01 93-02	LOCKWASHER	Lock Washer	2	19
16	579 45 72-01	WHEEL	Wheel Outside	2	19
17	575 54 33-14	SCREW	Screw	6	19
18	580 33 61-01	SPINDLE	Spindle	2	19
19	581 62 14-01	WHEEL KIT	Front Wheel KIT	2	
20	580 44 39-02	O-RING	O-Ring	2	21
21	581 62 13-06	MOTOR KIT	Wheel Motor ASSY	2	
22	574 45 01-01	SCREW ITXPANT	Screw	8	
23	574 45 01-01	SCREW ITXPANT	Screw	6	
24	579 50 56-02	COVER	Cover	2	
25	579 50 61-02	REAR WHEEL	Rear Wheel Coarse thread	2	
26	586 21 06-01	WASHER	Washer	2	
27	731 43 24-01	HEXAGON THIN NUT	Thin Nut	2	
28	579 50 55-02	HUB CAP	Hub Cap	2	

# A2 AUTOMOWER 550 COVER

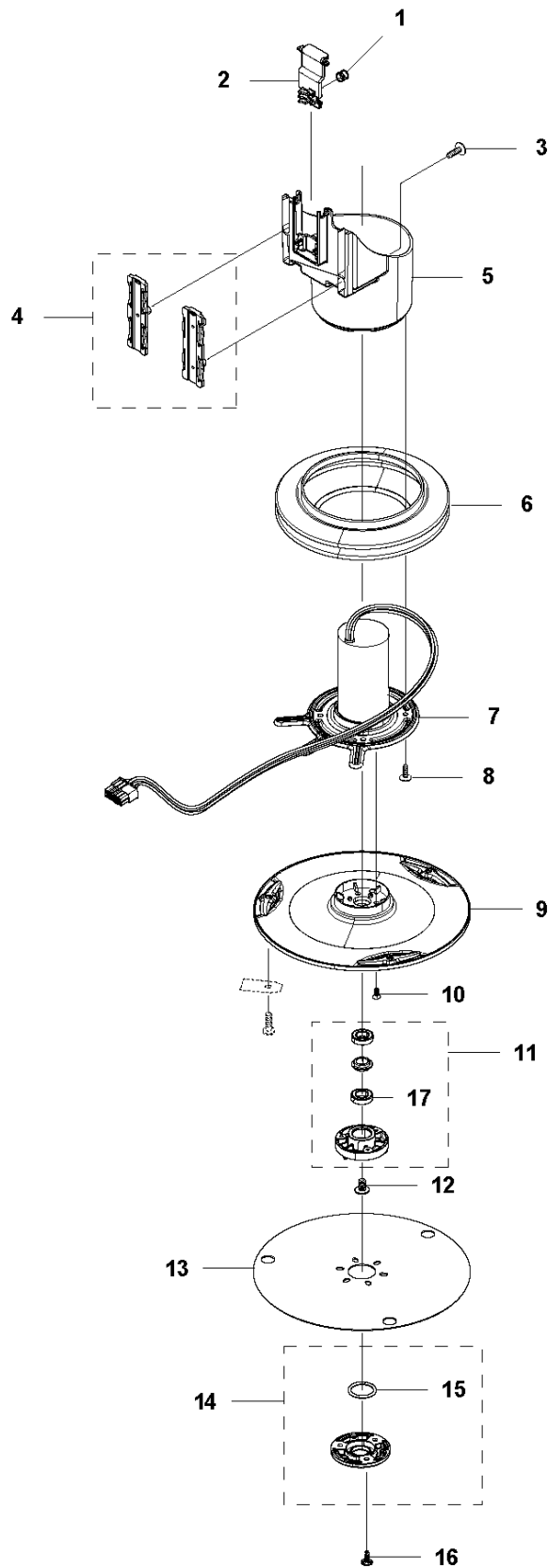


## COVER

AUTOMOWER 550, 2020-

Ref	Part No	Description	Remark	QTY	KIT
1	588 59 67-01	WIRING ASSY	Wiring Assy Ultra Sonic 550	1	
2	591 49 61-01	BODY KIT	Cover KIT Top Robotic Grey 550	1	
2	591 49 61-02	BODY KIT	Cover KIT Top Orange 550	1	
3	501 06 11-02	BODY ASSY	Body KIT	1	
4	587 42 35-01	DECAL	Decal Crown	1	3
5	580 52 68-01	CAP	Cap Snaploc	4	3
6	585 53 92-04	CABLE ASSY	Charging Plate Wiring	1	
7	501 06 56-02	HOLDER ASSY	Holder KIT	1	
8	575 54 33-14	SCREW	Screw	1	
9	501 06 50-01	BUMPER ASSY	Bumper ASSY	1	
10	586 35 97-01	LABEL	Label Warning	1	11
11	574 45 01-01	SCREW ITPANT	Screw	10	
12	581 90 31-02	BRUSH KIT	Brush KIT (brackets and brushes, 6 pcs)	1	
13	581 98 20-02	BRUSH KIT	Brush, 6 pcs	1	12
14	575 54 33-14	SCREW	Screw	1	
14	575 54 33-14	SCREW	Screw	1	

**F** AUTOMOWER 520, 550  
BLADE MOTOR & CUTTING EQUIPMENT



## BLADE MOTOR &amp; CUTTING EQUIPMENT

AUTOMOWER 550, 2020-

Ref	Part No	Description	Remark	QTY	KIT
1	580 62 44-01	SPRING	Spring	1	
2	579 56 46-01	LINK	Link	1	
3	575 54 33-14	SCREW	Screw	3	
4	581 62 18-01	BEARING KIT	Bearing KIT	1	
5	579 56 45-01	HOUSING	Housing	1	
6	579 66 64-03	BELLOWS	Bellows	1	
7	587 38 14-01	MOTOR ASSY	Cutting Motor ASSY	1	
8	575 54 33-14	SCREW	Screw	4	
9	598 81 44-01	CUTTING DISC	Cutting Disc	1	
10	535 13 05-02	SCREW	Screw	3	
11	588 42 17-02	BEARING HOUSING ASSY	Bearing Housing KIT	1	
12	535 07 60-01	SCREW	Screw	1	
13	597 44 98-01	SKID PLATE	Skid Plate	1	
14	587 44 96-01	COVER KIT	Bearing Cover KIT	1	
15	585 29 75-01	O-RING	O-Ring	1	
16	575 54 33-14	SCREW	Screw	3	
17	535 07 57-03	BALL BEARING		1	11
17	593 08 08-01	BALL BEARING		1	
	577 86 46-03	BLADE SET	Long Life Safety Blade, Blister Pack, 9 pcs	1	
	577 60 65-05	BLADE SET	Long Life Safety Blade, 45 pcs	1	
	577 60 66-04	BLADE SET	Long Life Safety Blade, 300 pcs	1	