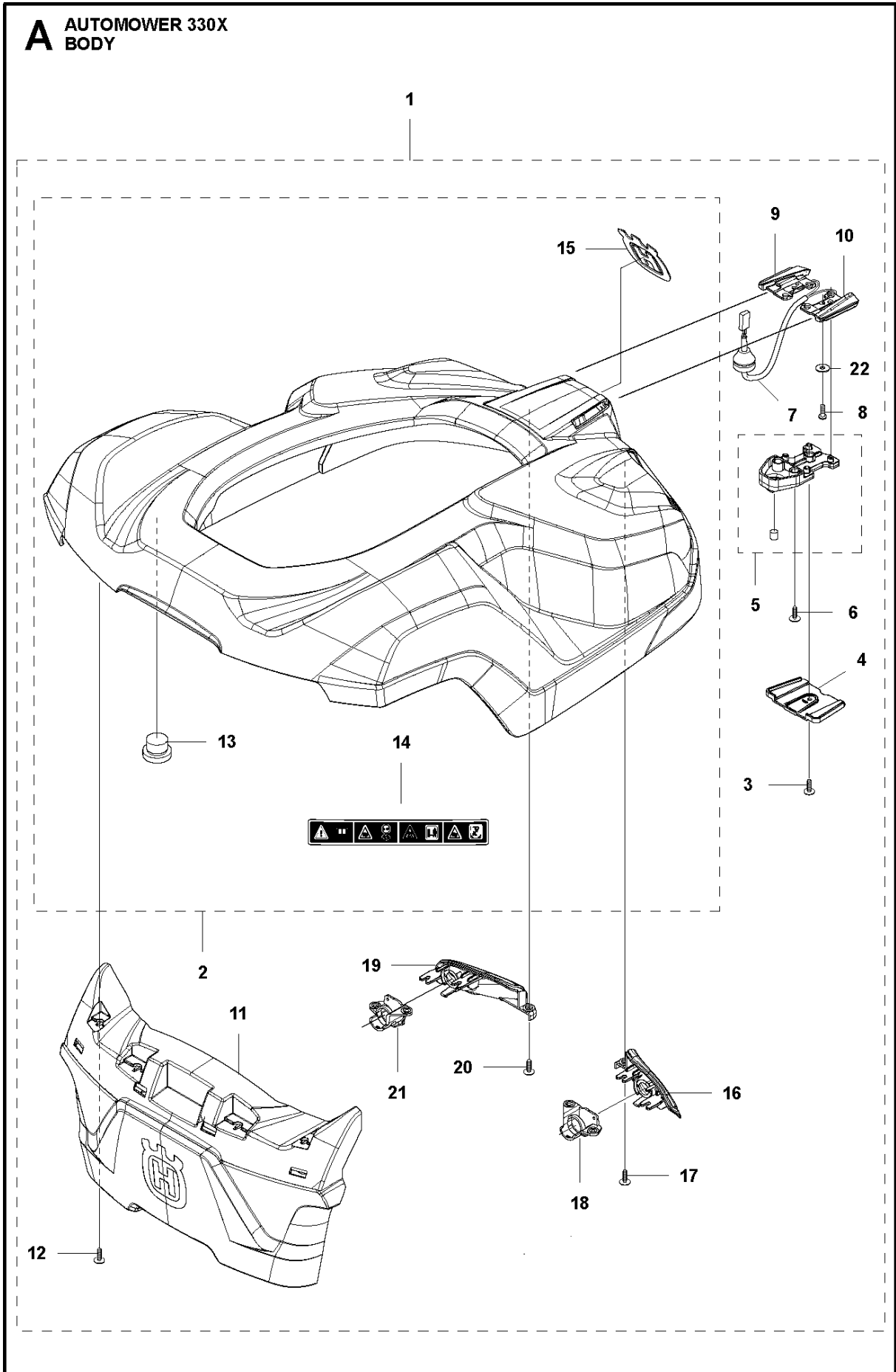




SPARE PARTS LIST

ROBOTIC LAWN MOWERS
AUTOMOWER 330X, 2015-01

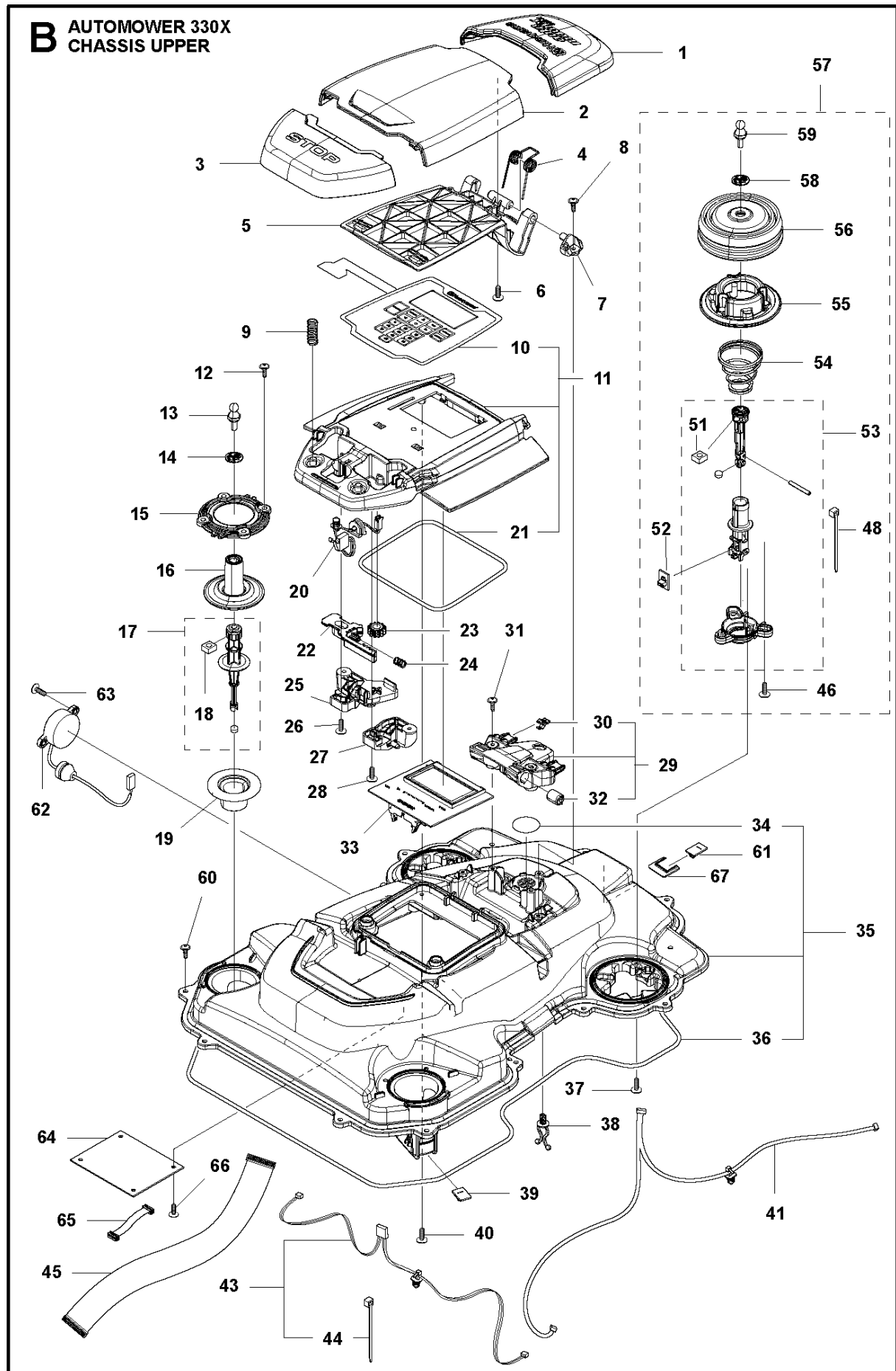
A AUTOMOWER 330X
BODY



COVER

AUTOMOWER 330X, 2015-01

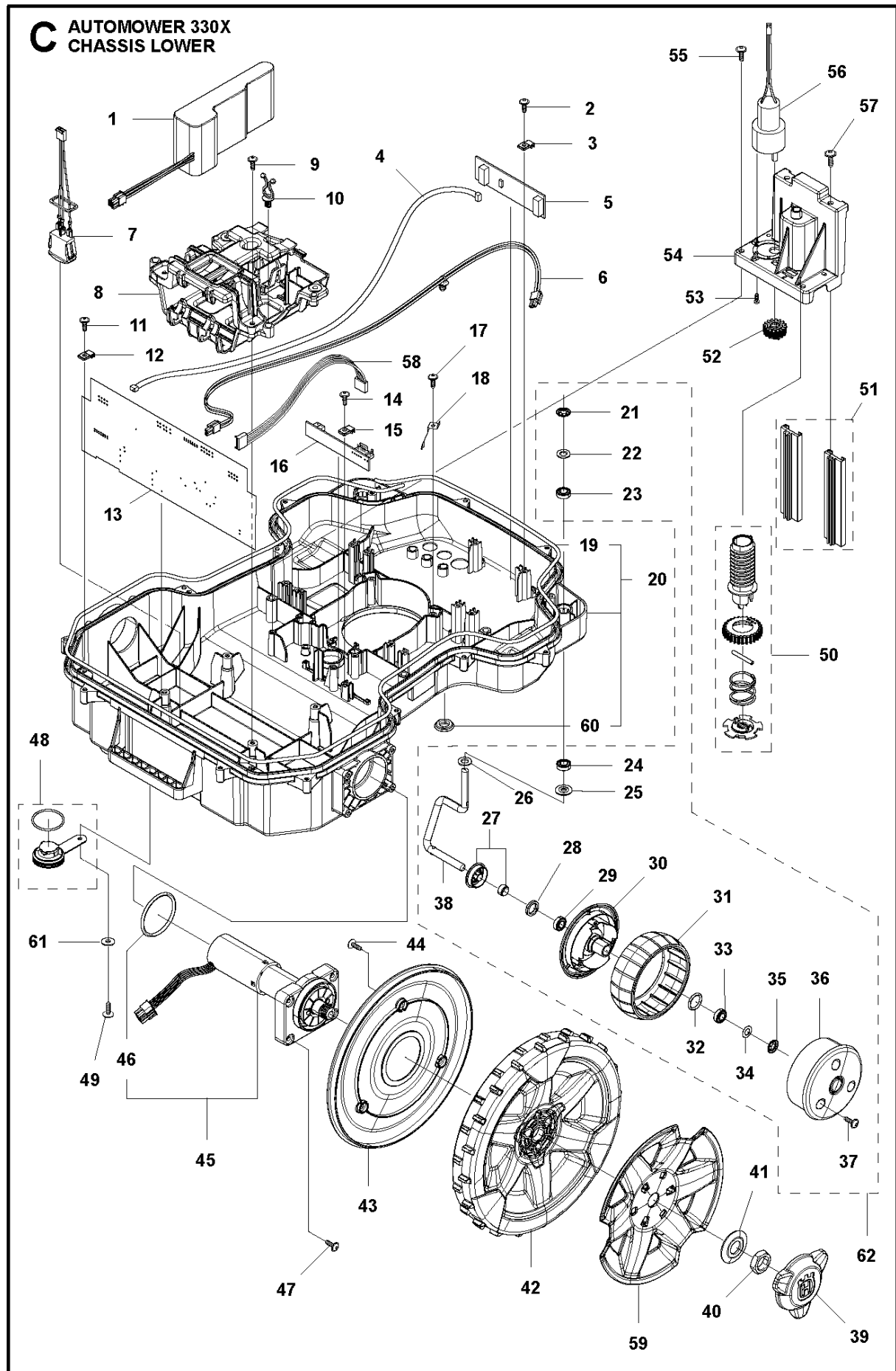
Ref	Part No	Description	Remark	QTY	KIT
1	580 76 64-04	BODY SYSTEM		1	
2	583 94 31-03	BODY KIT		1	1
3	575 54 33-14	SCREW		1	1
4	580 35 19-01	SHIELD		1	1
5	581 62 05-01	HOLDER KIT		1	1
6	575 54 33-14	SCREW		2	1
7	580 25 73-01	LOOM		1	1
8	580 87 78-01	SCREW ITXPANT		2	1
9	579 53 30-01	COVER		1	1
10	579 53 30-02	COVER		1	1
11	579 51 98-02	BUMPER		1	1
12	574 45 01-01	SCREW ITXPANT		4	1
13	580 52 68-01	CAP		4	1, 2
14	586 35 97-01	LABEL		1	1, 2
15	587 42 35-01	DECAL		1	1, 2
16	580 49 73-02	INSERT		1	1
17	575 54 33-14	SCREW		3	1
18	580 49 74-04	HOLDER		1	1
19	580 49 73-01	INSERT		1	1
20	575 54 33-14	SCREW		3	1
21	580 49 74-03	HOLDER		1	1
22	734 11 37-41	WASHER		2	1



CHASSIS UPPER

AUTOMOWER 330X, 2015-01

Ref	Part No	Description	Remark	QTY	KIT
1	579 45 83-03	COVER		1	
2	579 45 85-01	HATCH		1	
3	579 45 81-01	BUTTON		1	
4	586 26 01-01	TORSION SPRING		1	
5	579 45 86-01	HINGE		1	
6	575 54 33-14	SCREW		2	
7	579 45 87-01	HINGE PIN		2	
8	575 54 33-14	SCREW		2	
9	535 13 01-01	SPRING		2	
10	579 62 79-02	KEYBOARD		1	11
11	583 94 37-01	COVER KIT		1	
12	574 45 01-01	SCREW ITPANT		8	
13	580 52 67-01	STUD		2	
14	579 52 57-01	WASHER		2	
15	579 52 59-01	RING		2	
16	577 52 58-01	RUBBER GAITERS		2	
17	501 12 26-02	JOYSTICK KIT		2	
18	503 22 66-01	SQUARE NUT		2	17
19	535 14 32-01	DEFLECTION LIMITER		2	
20	574 48 03-01	SWITCH		1	
21	574 87 47-06	SEALING STRIP	Ø5 mm	1	11
21	581 90 32-02	SEALING STRIP	Ø5 mm, 10 PCS	1	
22	579 45 88-01	LOCKING PLATE		2	
23	579 45 84-01	GEAR WHEEL		1	
24	576 24 22-01	SPRING		2	
25	579 50 50-01	BRACKET		1	
26	575 54 33-14	SCREW		2	
27	579 50 50-02	BRACKET		1	
28	575 54 33-14	SCREW		2	
29	581 62 07-01	SUPPORT KIT		1	
30	580 35 45-01	CLIP		2	29
31	575 54 33-14	SCREW		3	
32	580 35 23-02	DAMPER		1	29
33	578 12 71-01	PRINTED CIRCUIT ASSY		1	
34	577 75 37-01	AIR FILTER	10 pcs	1	35
35	581 62 08-01	CHASSIS KIT		1	
36	574 87 47-05	SEALING STRIP	Ø5 mm	1	35
36	581 90 32-01	SEALING STRIP	Ø5 mm, 10 PCS	1	
37	574 45 01-01	SCREW ITPANT		6	
38	580 68 29-01	HOLDER		2	
39	579 66 91-01	PRINTED CIRCUIT ASSY		1	
40	575 54 33-14	SCREW		4	
41	581 66 09-01	WIRING ASSY		1	
43	581 62 11-01	LOOM KIT		1	
44	900 23 87-08	TIE WRAP		2	43
45	579 70 62-01	CABLE ASSY		1	
46	575 54 33-14	SCREW		6	57
48	900 23 87-08	TIE WRAP		2	57
51	503 22 66-01	SQUARE NUT		2	53, 57
52	579 66 90-01	PRINTED CIRCUIT ASSY		2	57
53	587 44 88-01	JOYSTICK KIT		2	57
54	580 67 25-01	SPRING		2	57
55	579 48 48-02	RETAINER		2	57
56	579 47 46-01	BELLOWS		2	57
57	581 62 09-02	JOYSTICK KIT		2	
58	579 52 57-01	WASHER		2	57
59	580 52 67-01	STUD		2	57
60	574 45 01-01	SCREW ITPANT		14	
61	579 66 91-01	PRINTED CIRCUIT ASSY		1	
62	579 70 63-02	BUZZER		1	
63	575 54 33-14	SCREW		2	
64	581 01 40-01	PRINTED CIRCUIT ASSY		1	
65	581 29 18-01	LOOM		1	
66	575 54 33-14	SCREW		4	
67	587 83 49-01	CLIP		1	

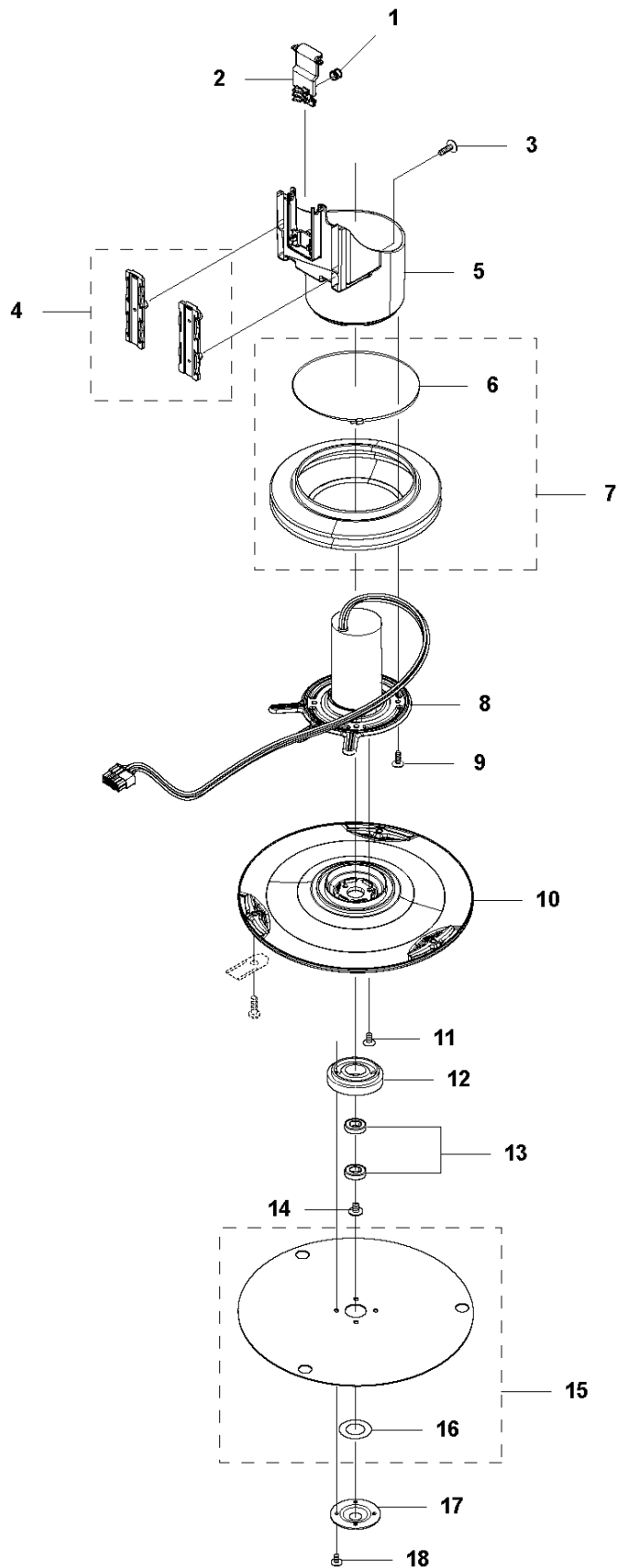


CHASSIS LOWER

AUTOMOWER 330X, 2015-01

Ref	Part No	Description	Remark	QTY	KIT
1	589 58 52-01	BATTERY		2	
2	575 54 33-14	SCREW		2	
3	579 52 94-01	CLAMP		2	
4	579 70 82-01	WIRING ASSY		1	
5	579 66 02-01	PRINTED CIRCUIT ASSY		1	
6	580 37 07-01	LOOM		1	
7	579 70 87-01	WIRING ASSY		1	
8	580 60 96-01	HOLDER		1	
9	574 45 01-01	SCREW ITPANT		5	
10	580 68 29-01	HOLDER		7	
11	575 54 33-14	SCREW		2	
12	579 52 94-01	CLAMP		2	
13	592 84 14-01	PRINTED CIRCUIT ASSY		1	
14	575 54 33-14	SCREW		1	
15	579 52 94-01	CLAMP		1	
16	579 72 85-01	PRINTED CIRCUIT ASSY		1	
17	575 54 33-14	SCREW		2	
18	581 55 61-01	SPRING		2	
19	574 87 47-05	SEALING STRIP	Ø5 mm	1	
19	581 90 32-01	SEALING STRIP	Ø5 mm, 10 PCS	1	
20	583 94 45-01	CHASSIS KIT		1	
21	576 01 93-01	LOCKWASHER		2	62
22	580 76 46-01	WASHER		2	62
23	580 60 51-01	BALL BEARING		2	62
23	597 79 56-01	BALL BEARING	Tube 50 pcs	1	
24	580 60 51-01	BALL BEARING		2	62
24	597 79 56-01	BALL BEARING	Tube 50 pcs	1	
25	535 08 78-03	WASHER		2	62
26	580 76 46-01	WASHER		2	62
27	581 62 15-01	SHIELD KIT		2	62
28	580 48 71-01	SEALING		2	62
29	580 60 51-01	BALL BEARING		2	62
29	597 79 56-01	BALL BEARING	Tube 50 pcs	1	
30	579 45 71-01	WHEEL		2	62
31	574 44 98-01	WHEEL		2	62
32	580 44 51-01	O-RING		2	62
33	580 60 51-01	BALL BEARING		2	62
33	597 79 56-01	BALL BEARING	Tube 50 pcs	1	
34	580 76 46-01	WASHER		2	62
35	576 01 93-01	LOCKWASHER		2	62
36	579 45 72-01	WHEEL		2	62
37	575 54 33-14	SCREW		6	62
38	580 33 61-01	SPINDLE		2	62
39	579 50 55-02	HUB CAP		2	
40	731 43 24-01	HEXAGON THIN NUT		2	
41	586 21 06-01	WASHER		2	
42	582 28 02-02	WHEEL ASSY		2	
43	579 50 56-02	COVER		2	
44	575 54 33-14	SCREW		6	
45	581 62 13-03	MOTOR KIT		2	
46	580 44 39-01	O-RING		2	45
47	574 45 01-01	SCREW ITPANT		8	
48	581 62 12-01	PLUG KIT		1	
49	575 54 33-14	SCREW		1	
50	581 62 16-01	SCREW KIT		1	
51	581 62 18-01	BEARING KIT		1	
52	579 56 47-01	GEAR		1	
53	510 01 87-03	SCREW		3	
54	579 56 51-01	HOUSING		1	
55	575 54 33-14	SCREW		4	
56	580 34 21-01	MOTOR		1	
57	510 72 29-01	SCREW		2	
58	579 70 80-01	WIRING ASSY		1	
59	579 50 57-01	WHEEL COVER		2	
60	581 82 25-01	PLUG		2	20
61	734 11 37-41	WASHER		1	
62	581 62 14-01	WHEEL KIT		2	

D AUTOMOWER 330X
BLADE MOTOR & CUTTING EQUIPMENT



BLADE MOTOR & CUTTING EQUIPMENT

AUTOMOWER 330X, 2015-01

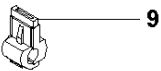
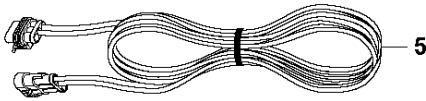
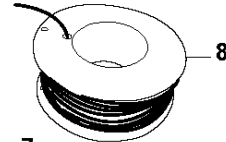
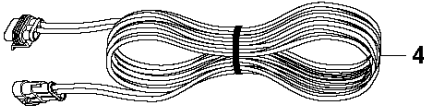
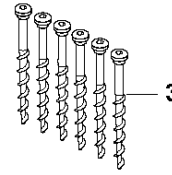
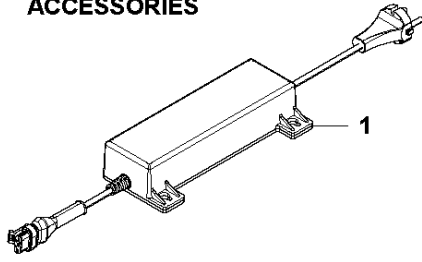
Ref	Part No	Description	Remark	QTY	KIT
1	580 62 44-01	SPRING		1	
2	579 56 46-01	LINK		1	
3	575 54 33-14	SCREW		3	
4	581 62 18-01	BEARING KIT		1	
5	579 56 45-01	HOUSING		1	
6	580 75 41-01	TIE WRAP		1	7
7	581 62 21-01	BELLOWS KIT		1	
8	585 35 03-01	MOTOR ASSY		1	
9	575 54 33-14	SCREW		4	
10	580 79 30-02	CUTTING DISC		1	
11	535 13 05-01	SCREW		3	
12	535 12 64-01	HOUSING		1	
13	535 07 57-03	BALL BEARING		2	
13	593 08 08-01	BALL BEARING	Tube 50 pcs	1	
14	535 07 60-01	SCREW		1	
15	581 62 19-02	SKID PLATE		1	
16	535 08 25-01	GASKET		1	15
17	535 08 15-01	COVER WASHER		1	
18	575 54 33-10	SCREW		4	

CHARGING STATION

AUTOMOWER 330X, 2015-01

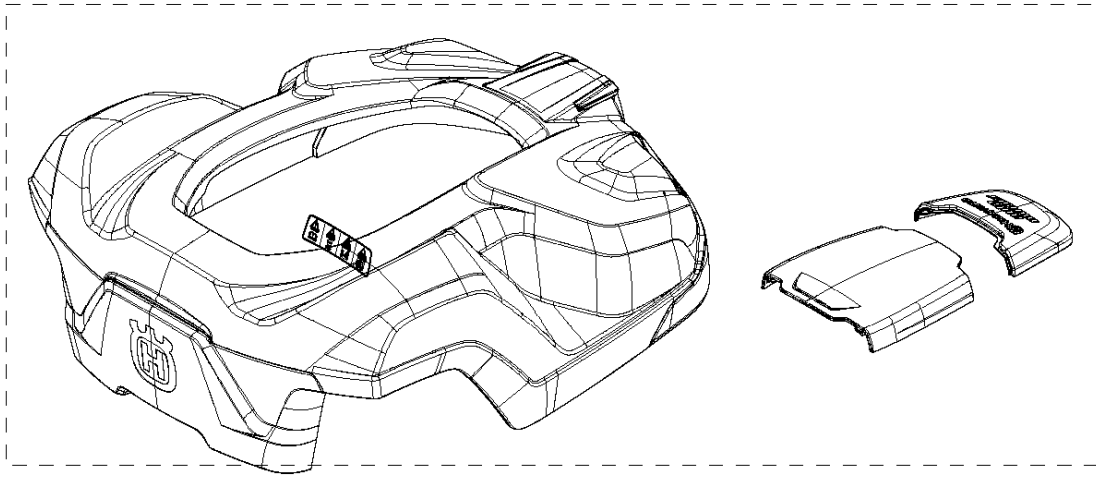
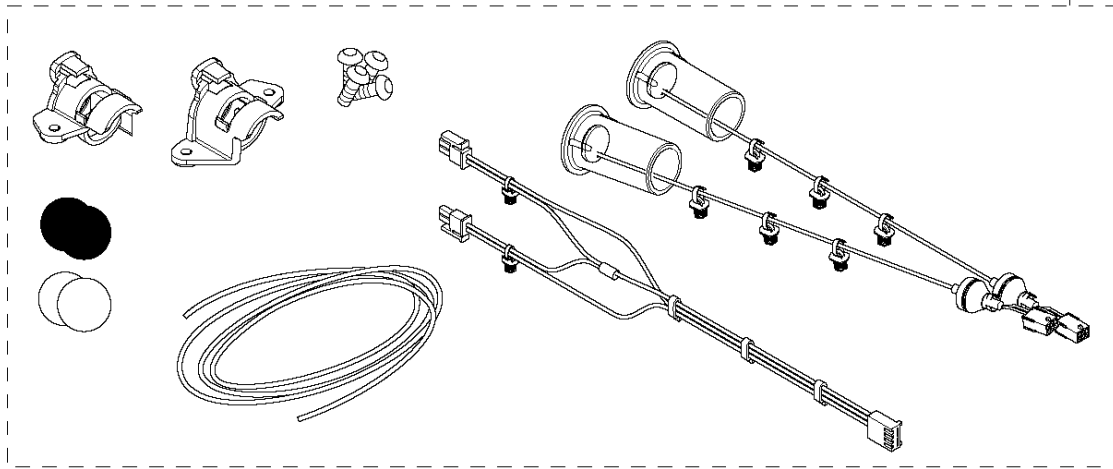
Ref	Part No	Description	Remark	QTY KIT	
1	580 76 55-02	CHARGING STATION		1	
2	579 44 82-04	CAP		1	1
3	579 45 99-01	HOLDER		1	1
4	579 45 98-01	PAN		1	1
5	580 50 41-01	TERMINAL		4	1
6	579 46 24-02	BUTTON		1	1
7	574 48 70-01	SPRING		1	1
8	580 51 14-01	SPRING		2	1
9	579 45 80-02	FRAME		1	1
10	575 54 33-14	SCREW		4	1
11	579 46 23-02	HOUSING		1	1
12	579 54 30-01	CHARGING PLATE		2	1
13	579 46 05-01	SPACER		2	1
14	734 11 37-41	WASHER		2	1
15	575 54 33-14	SCREW		2	1
16	580 51 14-01	SPRING		2	1
17	579 56 55-01	PRINTED CIRCUIT ASSY		1	1
18	535 12 87-02	DIODE LENS		1	1
19	575 54 33-14	SCREW		2	1
20	579 45 97-03	LID		1	1
21	581 62 23-02	LOOM KIT		1	1
22	579 70 85-01	LOOM		1	1
23	575 23 16-01	CHARGING PLATE		1	1
24	575 54 33-14	SCREW		4	1
25	580 23 96-01	BUTTON		1	1
26	579 46 08-01	LENS		1	1
27	579 73 01-01	PRINTED CIRCUIT ASSY		1	1
28	579 70 83-01	LOOM		1	1
29	576 21 38-01	SCREW ITPANM		2	1
30	732 25 12-01	HEXAGON LOCKING NUT		2	1

F AUTOMOWER 330X
ACCESSORIES



11

13



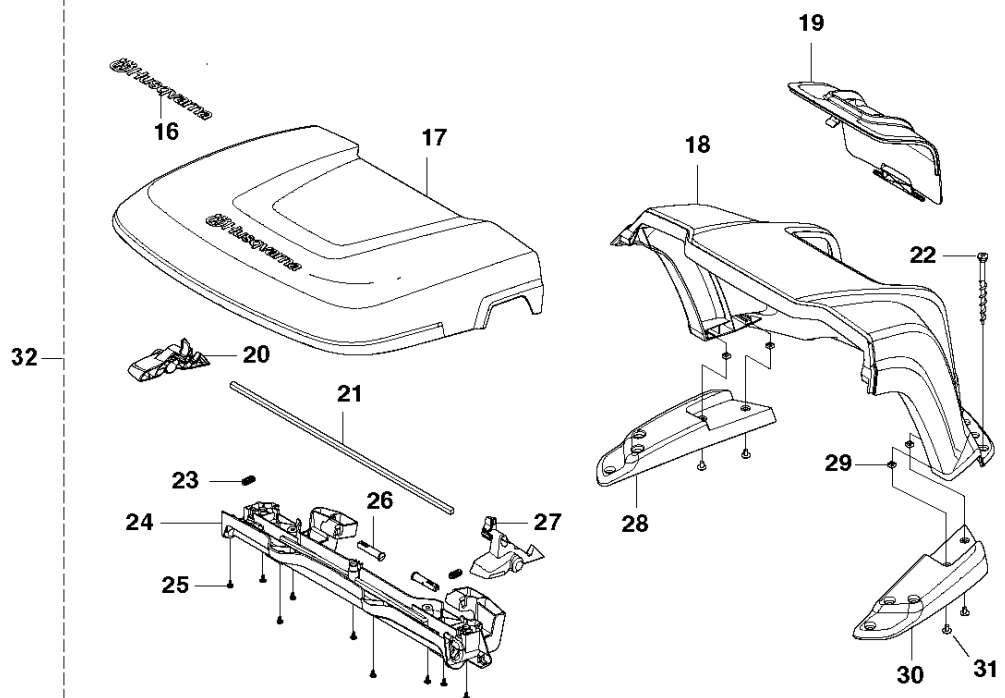
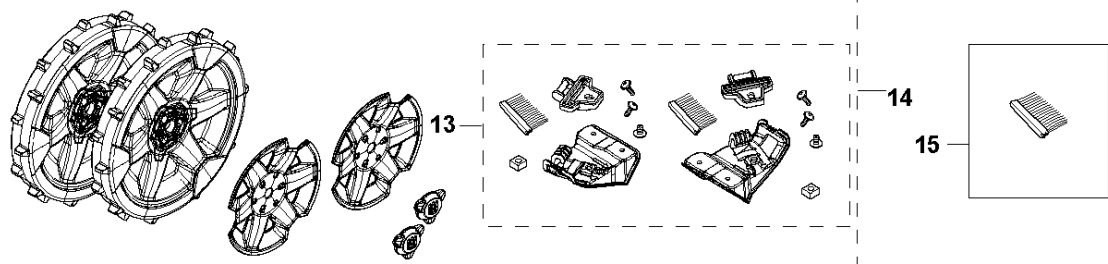
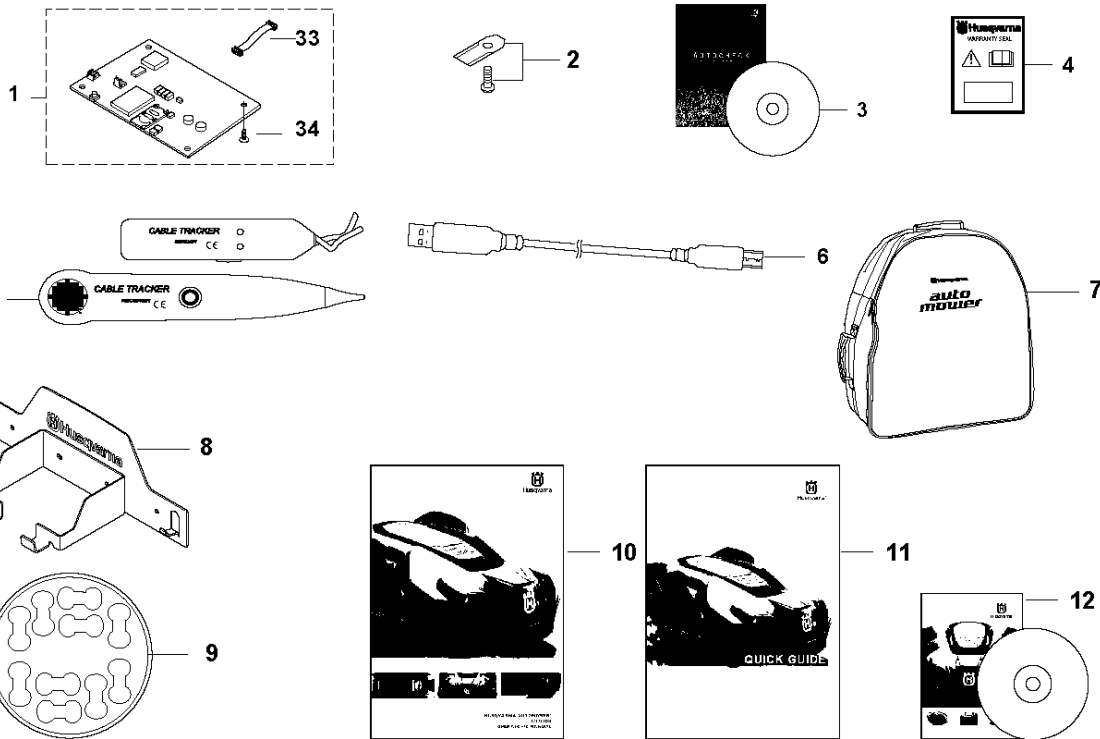
14

ACCESSORIES

AUTOMOWER 330X, 2015-01

Ref	Part No	Description	Remark	QTY KIT
1	590 44 24-01	POWER UNIT	EU	1
1	590 44 24-02	POWER UNIT	UK/IRL	1
1	590 94 15-03	POWER UNIT	CH	1
1	590 94 15-04	POWER UNIT	US/MX	1
1	590 44 24-05	POWER UNIT	AU/NZ	1
2	577 86 42-01	STAPLE	105 mm, Blister pack, 100pcs	1
2	583 97 34-01	STAPLE	85 mm, 100pcs	1
3	575 23 86-01	SCREW KIT	6pcs	1
3	577 86 49-01	SCREW	Blister Pack, 3pcs	1
4	580 43 38-01	CABLE	20m	1
5	580 43 38-02	CABLE	10m	1
5	580 43 38-03	CABLE		1
6	580 66 20-02	WIRE	150m	1
6	577 86 43-01	WIRE	Blister pack, (150m)	1
7	580 66 20-01	WIRE	250m	1
8	522 91 41-01	WIRE	500m, Ø3.4 mm	1
9	535 12 90-01	CONNECTOR		1
9	577 86 48-01	CONNECTOR	Blister Pack, 5pcs	1
10	501 98 02-01	COUPLER		1
10	577 86 47-01	COUPLER	Blister pack, 5pcs	2
10	501 98 02-03	COUPLER	100pcs	1
11	544 17 75-01	MEASURING TAPE		1
12	579 57 12-01	LABEL		1
13	581 91 25-01	HEAD LIGHTS		1
14	580 96 57-01	BODY KIT		1

G AUTOMOWER 330X
ACCESSORIES



ACCESSORIES

AUTOMOWER 330X, 2015-01

Ref	Part No	Description	Remark	QTY KIT
1	586 66 23-01	GPS MODULE		1
2	577 86 46-02	BLADE SET	Blister Pack, 9pcs	1
2	577 60 65-04	BLADE SET	45pcs	1
2	577 60 66-03	BLADE SET	300pcs	1
3	577 85 81-03	DVD		1
4	580 68 95-02	LABEL	1pcs	1
4	584 90 22-01	LABEL	10pcs	1
5	577 60 68-01	TEST EQUIPMENT		1
6	577 51 81-02	CABLE		1
7	522 91 67-01	BAG		1
8	585 01 97-01	WALL HANGER		1
9	586 27 79-01	STICKER	10 pcs	1
10	115 70 63-01	OPERATOR'S MANUAL	Swedish	1
10	115 70 63-06	OPERATOR'S MANUAL	Danish	1
10	115 70 63-11	OPERATOR'S MANUAL	Finnish	1
10	115 70 63-21	OPERATOR'S MANUAL	Norwegian	1
10	115 70 63-26	OPERATOR'S MANUAL	English	1
10	115 70 63-31	OPERATOR'S MANUAL	French	1
10	115 70 63-36	OPERATOR'S MANUAL	Dutch	1
10	115 70 63-41	OPERATOR'S MANUAL	Italian	1
10	115 70 63-46	OPERATOR'S MANUAL	Spanish	1
10	115 70 63-51	OPERATOR'S MANUAL	German	1
10	115 70 63-58	OPERATOR'S MANUAL	Hungarian	1
10	115 70 63-59	OPERATOR'S MANUAL	Portuguese	1
10	115 70 63-61	OPERATOR'S MANUAL	Polish	1
10	115 70 63-62	OPERATOR'S MANUAL	Romanian	1
10	115 70 63-63	OPERATOR'S MANUAL	Estonian	1
10	115 70 63-64	OPERATOR'S MANUAL	Latvian	1
10	115 70 63-65	OPERATOR'S MANUAL	Lithuanian	1
10	115 70 63-68	OPERATOR'S MANUAL	Slovak	1
10	115 70 63-76	OPERATOR'S MANUAL	Turkish	1
10	115 70 63-79	OPERATOR'S MANUAL	Japanese	1
10	115 70 63-81	OPERATOR'S MANUAL	Croatian	1
10	115 70 63-84	OPERATOR'S MANUAL	Slovenian	1
10	115 70 63-90	OPERATOR'S MANUAL	Czech	1
11	115 59 35-10	QUICK GUIDE	Swedish, Danish, Norwegian, Finnish	1
11	115 59 35-20	QUICK GUIDE	German, French, Dutch, Slovenian	1
11	115 59 35-30	QUICK GUIDE	Spanish, Portuguese, Italian, English	1
11	115 59 35-38	QUICK GUIDE	English, Spanish, French, Japanese	1
11	115 59 35-39	QUICK GUIDE	German, French, Italian, English	1
11	115 59 35-40	QUICK GUIDE	Russian, Estonian, Latvian, Lithuanian	1
11	115 59 35-50	QUICK GUIDE	Czech, Slovak, Polish, Hungarian	1
11	115 59 35-93	QUICK GUIDE	Croatian, Turkish, Romanian, Greek	1
12	587 65 73-01	CD		1
13	581 90 31-01	BRUSH KIT	Incl Brush, 6pcs	1
14	581 88 97-02	WHEEL KIT		1
15	581 98 20-01	BRUSH KIT	BRUSH, 6pcs	1 14
16	577 46 90-01	DECAL		1 32
17	586 88 58-01	KIT		1 32
18	585 32 34-01	COVER		1 32
19	585 32 36-01	HATCH		1 32
20	585 32 40-02	HANDLE		1 32
21	585 32 41-01	ROD		1 32
22	575 23 86-01	SCREW KIT	6pcs	1 32
23	580 51 14-01	SPRING		2 32
24	585 34 16-01	BEAM		1 32
25	575 54 33-14	SCREW		9 32
26	585 34 15-01	HINGE PIN		2 32

ACCESSORIES

AUTOMOWER 330X, 2015-01

Ref	Part No	Description	Remark	QTY	KIT
27	585 32 40-01	HANDLE		1	32
28	585 32 38-02	SUPPORT		1	32
29	503 22 66-01	SQUARE NUT		4	32
30	585 32 38-01	SUPPORT		1	32
31	535 12 93-03	SCREW IHPANM		4	32
32	585 01 94-01	HOUSING		1	
33	581 29 18-01	LOOM		1	1
34	575 54 33-14	SCREW		1	1