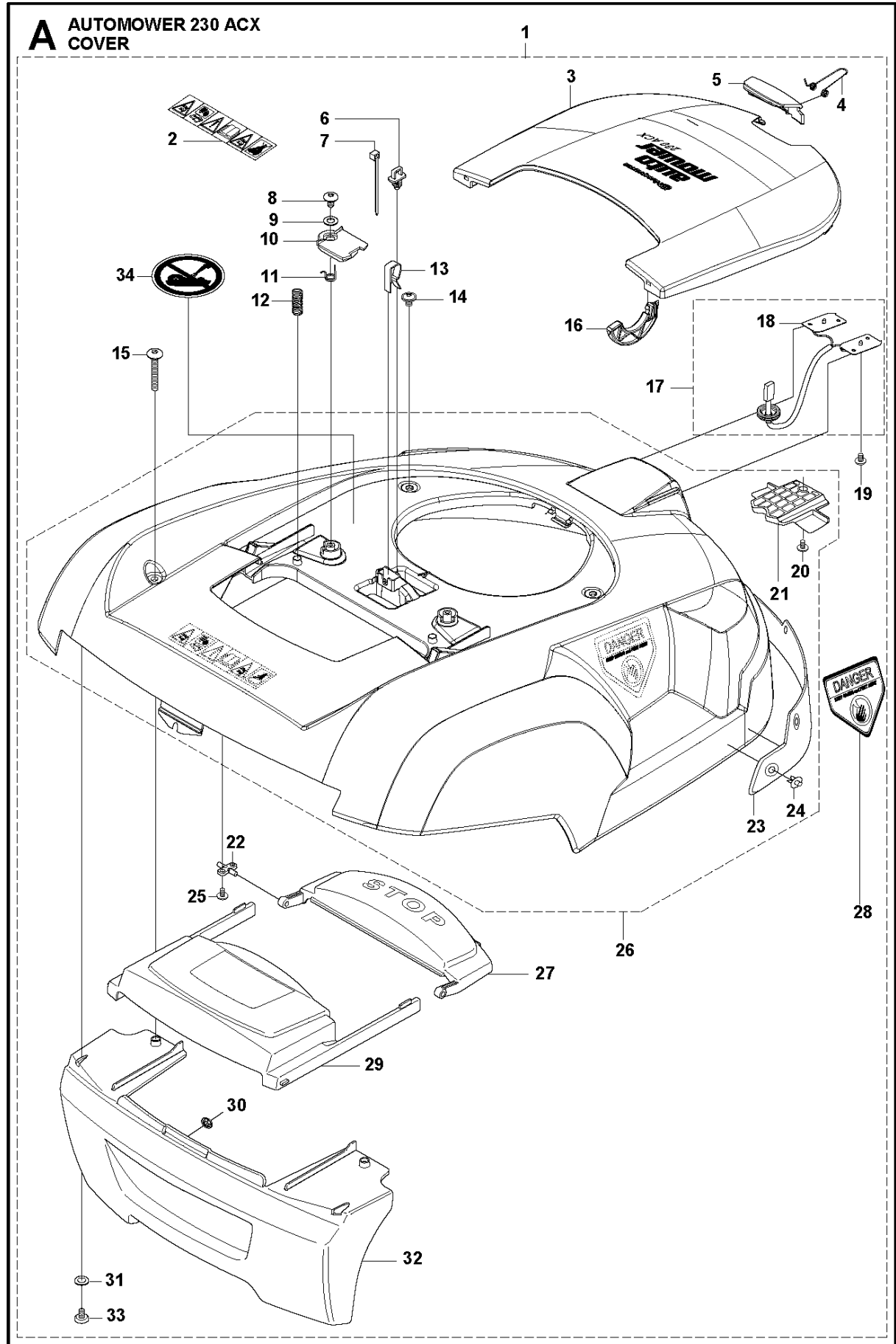




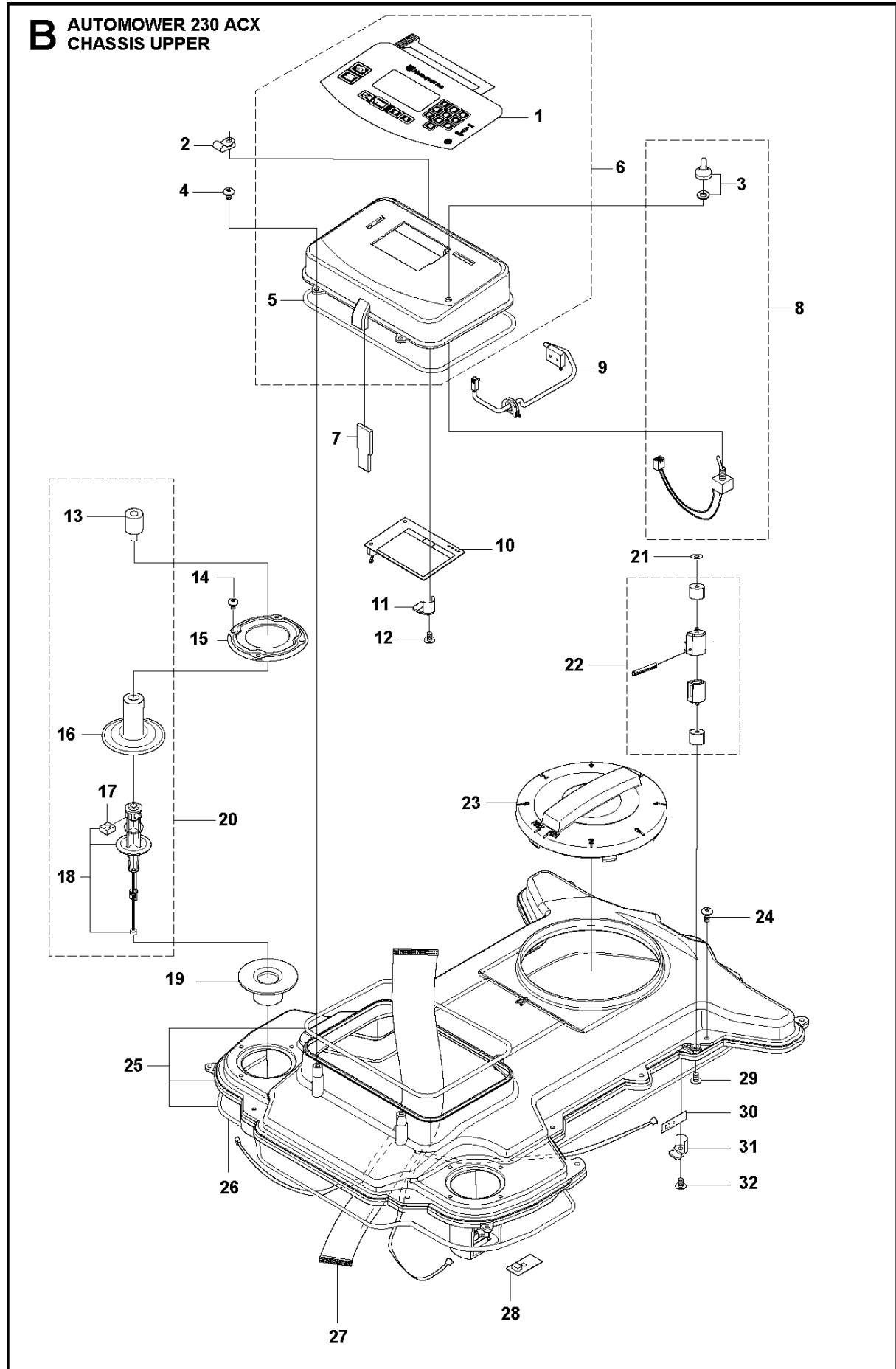
SPARE PARTS LIST

ROBOTIC LAWN MOWERS

230 ACX, 2014-01



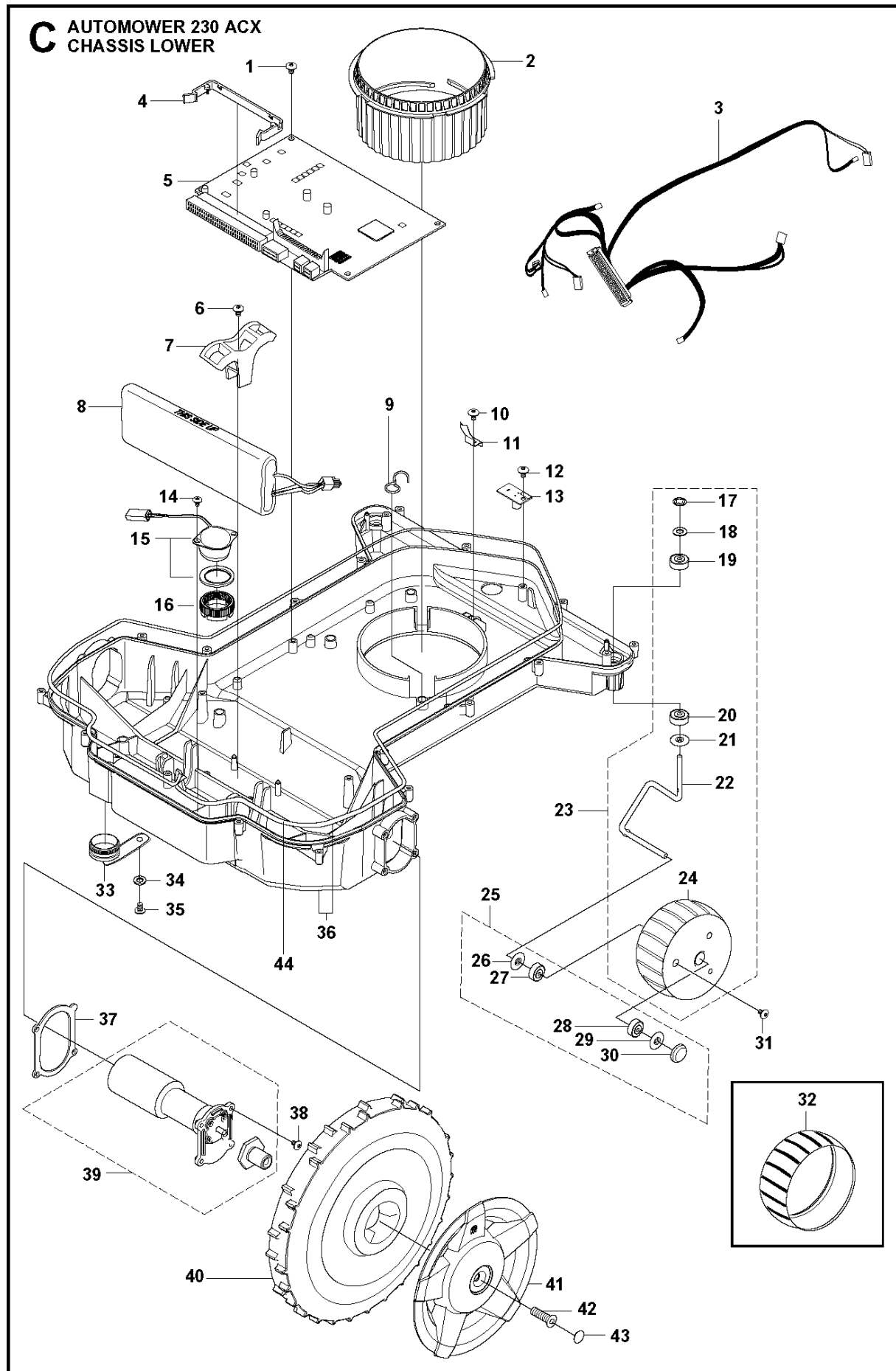
Ref	Part No	Description	Remark	QTY	KIT
1	575 61 90-02	BODY KIT		1	
2	522 79 27-02	LABEL		1	
3	544 90 59-01	COVER		1	
4	535 13 57-01	TORSION SPRING		1	
5	535 13 49-03	LOCK		1	
6	535 13 04-01	ANCHOR		1	
7	900 23 87-08	TIE WRAP		1	
8	575 54 33-10	SCREW		2	
9	734 11 37-41	WASHER		2	
10	535 12 68-01	CLAMP		2	
11	535 13 02-01	TORSION SPRING		2	
12	535 13 01-01	SPRING		2	
13	535 08 98-01	CLIP		1	
14	535 07 60-02	SCREW		2	
15	535 12 93-05	SCREW IH PANM		2	
16	535 13 53-01	PIVOT		2	
17	535 13 73-01	WIRING		1	
18	535 13 59-01	CHARGING PLATE		2	17
19	575 54 33-06	SCREW		2	
20	575 54 33-12	SCREW		1	26
21	505 13 14-01	SPACER		1	26
22	535 12 78-01	SHAFT		2	
23	544 90 71-02	BUMPER		1	26
24	535 08 09-01	RIVET		6	26
25	575 54 33-10	SCREW		4	
26	510 09 67-06	BODY		1	
27	535 12 67-02	SWITCH		1	
28	513 99 61-00	DECAL	US/AU/NZ	1	
29	535 12 66-02	COVER		1	
30	735 58 52-09	WASHER		1	
31	734 11 37-41	WASHER		2	
32	574 43 09-01	BUMPER		1	
33	575 54 33-14	SCREW		2	
34	586 29 10-01	LABEL	""Do not wash"" (10 pcs)"	1	



CHASSIS UPPER

230 ACX, 2014-01

Ref	Part No	Description	Remark	QTY	KIT
1	544 89 98-02	KEYBOARD		1	6
2	577 52 72-01	CABLE CLAMP		1	
3	535 10 17-01	SWITCH		1	6
4	574 45 01-01	SCREW ITPANT		4	
5	575 98 63-01	SEALING STRIP	10 pcs, Ø4mm	1	6
5	574 87 47-02	SEALING STRIP	Ø4mm	1	
6	575 94 42-02	DISPLAY COVER		1	
7	535 14 47-01	FILTER		1	
8	535 12 39-01	MAIN SWITCH		1	
9	577 59 23-01	SWITCH KIT		1	
10	540 06 03-03	DISPLAY		1	
11	535 12 79-01	BRACKET		1	
12	575 54 33-14	SCREW		1	
13	577 67 06-01	DAMPER		2	20
14	575 54 33-14	SCREW		8	
15	505 17 43-01	RING FASTENER		2	
16	577 52 58-01	RUBBER GAITERS		2	20
17	503 22 66-01	SQUARE NUT		2	20
18	579 24 88-01	COLUMN		2	20
19	535 14 32-01	DEFLECTION LIMITER		2	
20	577 59 84-03	COLUMN		2	
21	510 74 70-00	LOCKWASHER		1	
22	544 14 15-01	SENSOR		1	
23	535 12 22-01	STEERING WHEEL		1	
24	574 45 01-01	SCREW ITPANT		16	
25	575 94 38-01	CHASSIS		1	
26	575 98 62-01	SEALING STRIP	10 pcs, Ø4mm	1	
26	574 87 47-01	SEALING STRIP	Ø4mm	1	
27	544 12 69-01	WIRING ASSY		1	
28	578 78 90-01	PRINTED CIRCUIT ASSY		2	
29	535 07 60-02	SCREW		2	
30	578 78 90-01	PRINTED CIRCUIT ASSY		1	
31	535 12 79-01	BRACKET		1	
32	575 54 33-14	SCREW		1	

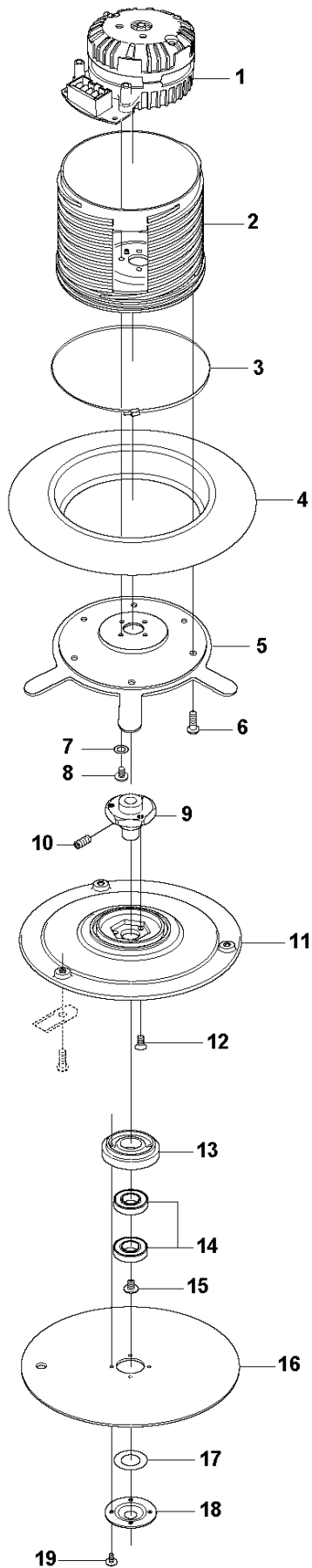


CHASSIS LOWER

230 ACX, 2014-01

Ref	Part No	Description	Remark	QTY	KIT
1	575 54 33-10	SCREW		4	
2	535 12 21-02	NUT		1	
3	501 00 37-03	WIRING ASSY		1	
4	578 05 61-01	CLIP		1	
4	578 05 61-02	CLIP		50	
5	592 85 21-01	PRINTED CIRCUIT ASSY		1	
6	575 54 33-14	SCREW		2	
7	544 90 78-01	BRACKET		2	
8	535 12 09-02	BATTERY		2	
9	535 13 96-01	CABLE HOLDER		1	
10	535 13 03-14	SCREW ITXPANT		1	
11	535 12 24-01	LOCKING SPRING		1	
12	575 54 33-10	SCREW		2	
13	592 85 22-01	PRINTED CIRCUIT ASSY		2	
14	502 85 96-01	SCREW		2	
15	501 00 42-01	LOUD SPEAKER		1	
16	579 52 12-01	NUT		1	
17	735 58 41-09	WASHER		2	23
18	734 11 52-09	WASHER		2	23
19	522 50 50-01	BALL BEARING		2	23
19	593 08 11-01	BALL BEARING	Tube 50 pcs	1	
20	522 50 50-01	BALL BEARING		2	23
21	535 08 78-02	WASHER		2	23
22	522 50 48-01	SPINDLE		2	23
23	522 66 45-02	WHEEL KIT		1	
24	575 23 17-01	WHEEL ASSY		2	23
25	523 34 37-01	BEARING KIT		1	23
26	535 08 78-02	WASHER		2	23,25
27	522 50 50-01	BALL BEARING		2	23,25
28	522 50 50-01	BALL BEARING		2	23,25
29	535 08 78-02	WASHER		2	23,25
30	521 93 31-01	COVER WASHER		2	23,25
31	575 50 76-01	SCREW ITXPANT		6	
32	574 44 98-01	WHEEL		2	
33	574 42 74-02	PLUG		1	
34	734 11 37-41	WASHER		1	
35	575 54 33-14	SCREW		1	
36	575 94 39-01	CHASSIS		1	
37	535 13 92-03	GASKET		2	
38	575 54 33-16	SCREW		8	
39	544 90 70-03	WHEEL MOTOR ASSY		2	
40	544 90 58-04	REAR WHEEL		2	
41	544 90 51-02	HUB CAP		2	
42	535 13 94-01	SCREW IHCSFM		2	
43	504 20 08-01	COVER WASHER		2	
44	575 98 62-01	SEALING STRIP	10 pcs, Ø4mm	1	
44	574 87 47-01	SEALING STRIP	Ø4mm	1	

D AUTOMOWER 230 ACX
BLADE MOTOR
& CUTTING EQUIPMENT

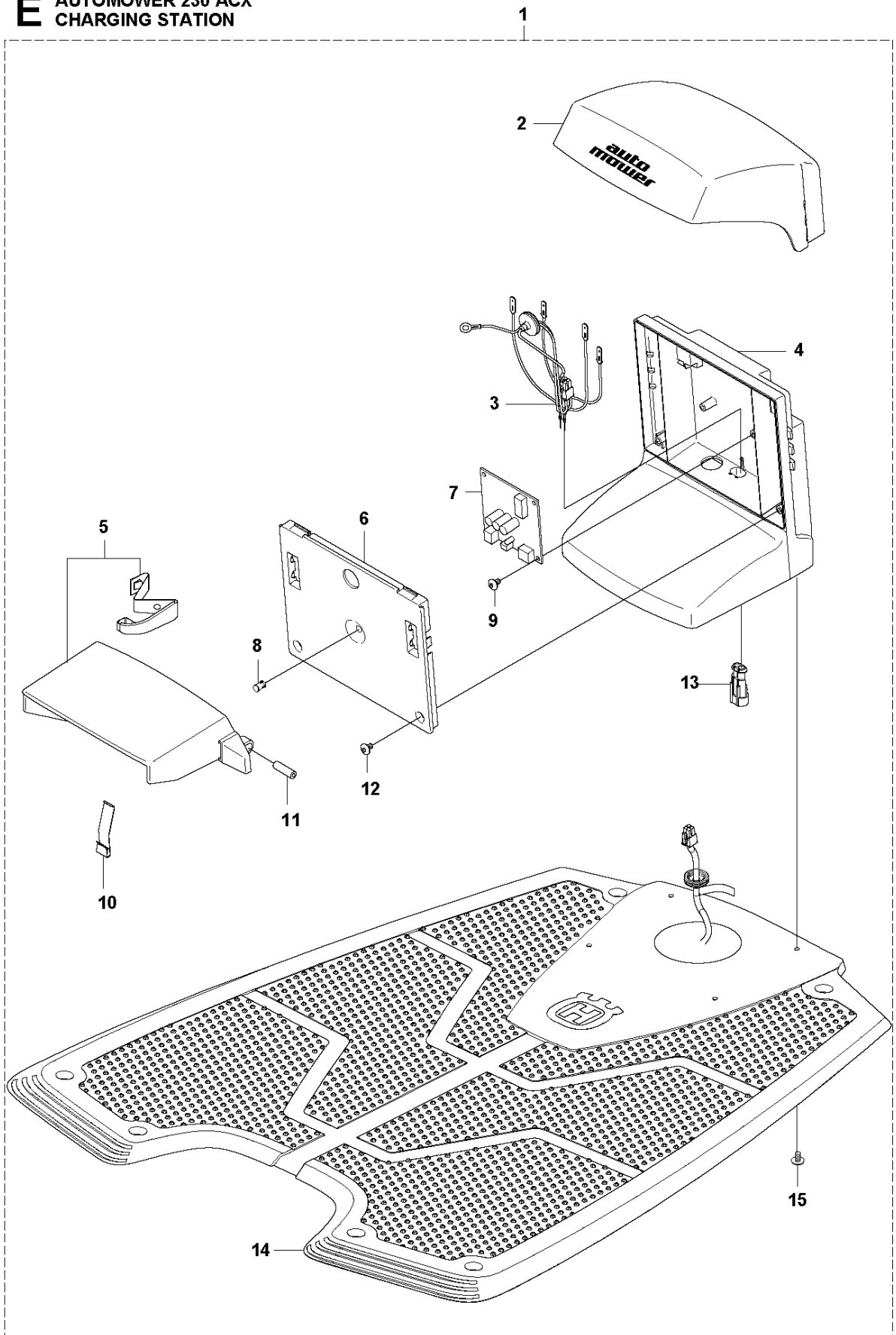


BLADE MOTOR & CUTTING EQUIPMENT

230 ACX, 2014-01

Ref	Part No	Description	Remark	QTY KIT
1	535 12 36-01	MOTOR ASSY		1
2	510 14 41-01	MOTOR BOWL		1
3	525 25 14-01	TIE WRAP		1
4	535 12 23-01	RUBBER GAITERS		1
5	522 77 15-02	PLATE		1
6	575 54 33-14	SCREW		6
7	734 11 37-41	WASHER		4
8	502 23 91-01	SCREW		4
9	535 07 55-01	HUB		1
10	728 82 85-01	SCREW IHSETM		1
11	535 12 63-01	CUTTING DISC		1
12	535 13 05-01	SCREW		3
13	535 12 64-01	HOUSING		1
14	535 07 57-03	BALL BEARING		1
14	593 08 08-01	BALL BEARING	Tube 50 pcs	1
15	535 07 60-01	SCREW		1
16	535 07 59-01	SKID PLATE		1
17	535 08 25-01	GASKET		1
18	535 08 15-01	COVER WASHER		1
19	575 54 33-10	SCREW		4

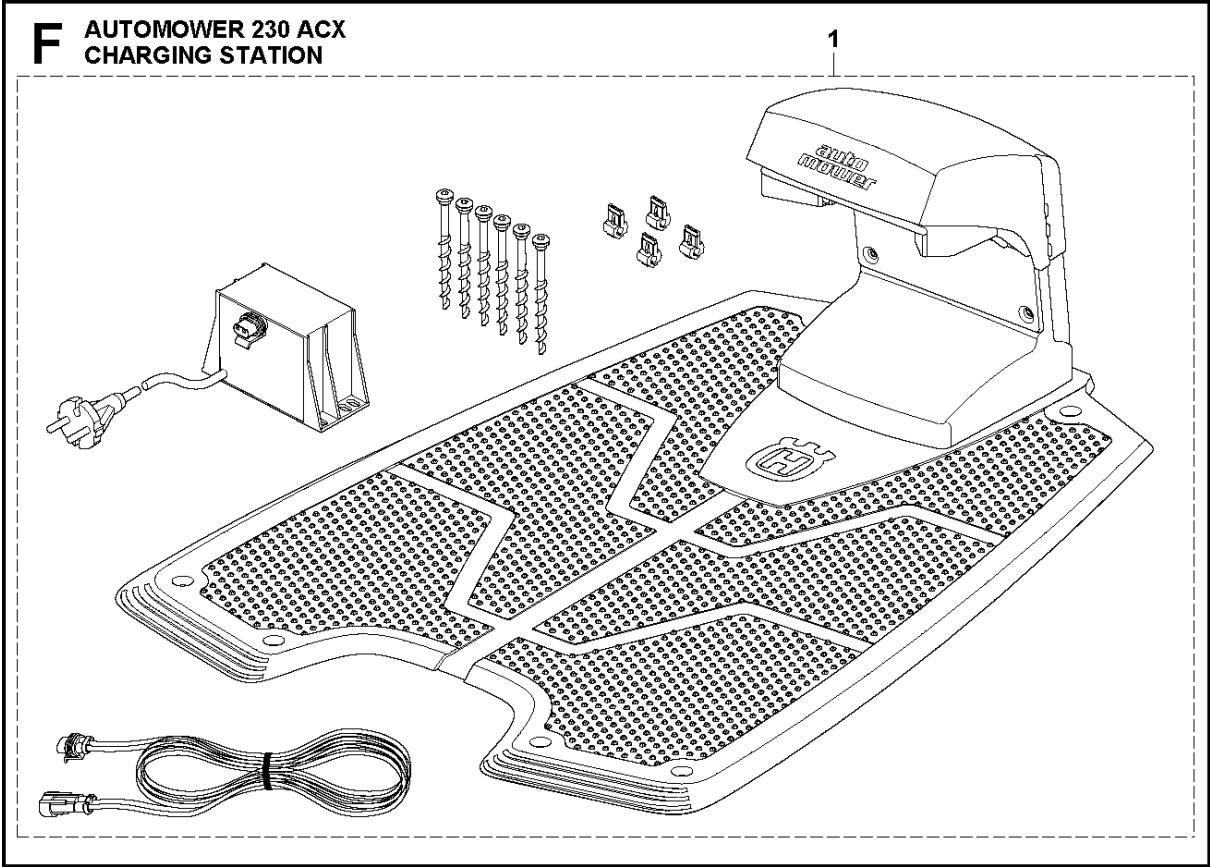
E AUTOMOWER 230 ACX
CHARGING STATION



CHARGING STATION

230 ACX, 2014-01

Ref	Part No	Description	Remark	QTY KIT
1	574 90 20-02	CHARGING STATION		1
1	574 90 20-05	CHARGING STATION	CH	1
2	535 12 47-02	COVER		1
3	544 98 38-07	WIRING ASSY		1
3	544 98 38-09	WIRING ASSY	CH	1
4	574 82 75-01	BODY		1
5	510 05 97-04	CONSOLE ASSY		1
6	535 12 44-01	HUB CAP		1
7	592 90 96-01	PRINTED CIRCUIT ASSY		1
7	584 82 20-01	CIRCUIT BOARD ASSY	CH	1
8	535 12 87-02	DIODE LENS		1
9	575 54 33-10	SCREW		2
10	535 12 86-01	SPRING PLATE		2
11	535 12 50-01	PEN		2
12	575 54 33-14	SCREW		2
13	535 12 85-01	CONTACT HOUSING		1
14	590 09 40-01	BASE ASSY		1
15	575 54 33-14	SCREW		4

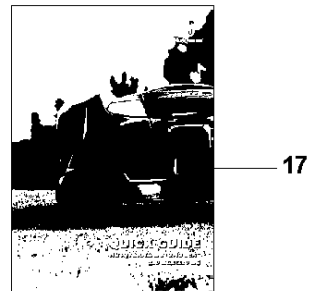
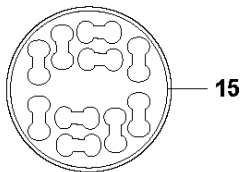
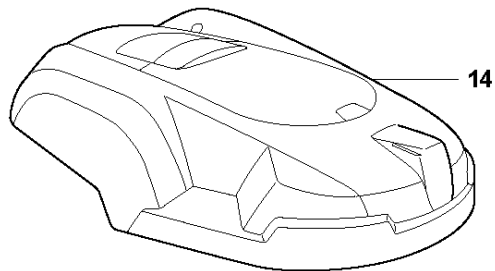
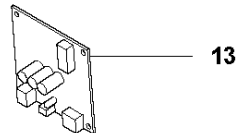
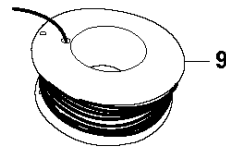
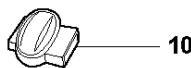
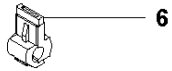
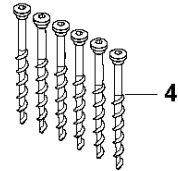
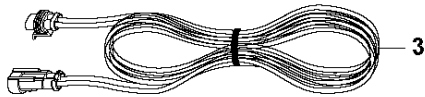
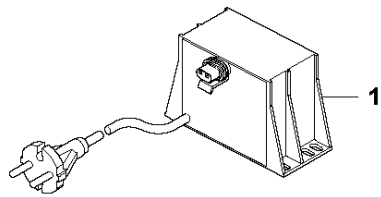


CHARGING STATION

230 ACX, 2014-01

Ref	Part No	Description	Remark	QTY KIT
1	575 55 08-01	CHARGING STATION	EU	1
1	575 55 08-02	CHARGING STATION	UK/IRL	1
1	575 55 08-03	CHARGING STATION	CH	1
1	575 55 08-04	CHARGING STATION	US/CA/MX	1
1	575 55 08-05	CHARGING STATION	AU/NZ	1

G AUTOMOWER 230 ACX
ACCESSORIES



ACCESSORIES

230 ACX, 2014-01

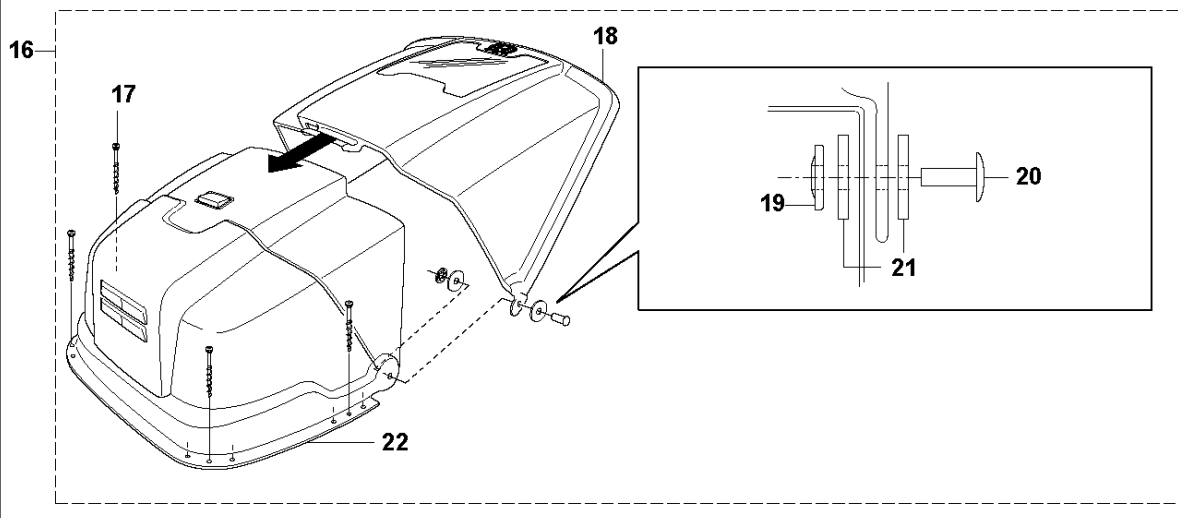
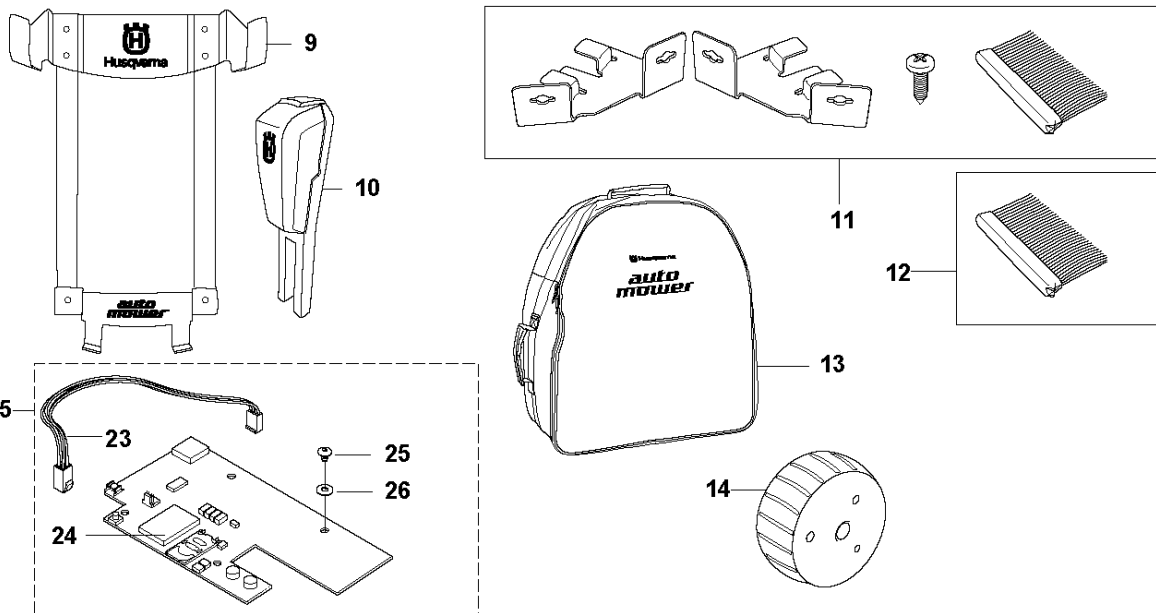
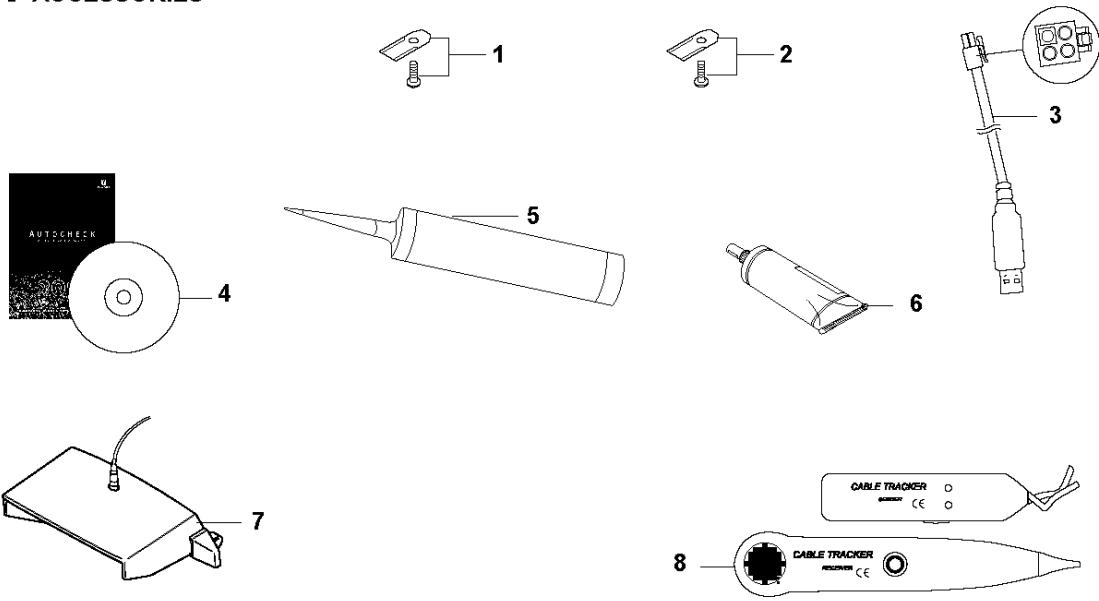
Ref	Part No	Description	Remark	QTY KIT
1	501 00 44-01	POWER UNIT	EU	1
1	501 00 44-02	POWER UNIT	UK/IRL	1
1	501 00 44-03	POWER UNIT	CH	1
1	501 00 44-04	TRANSFORMER	US/MX	1
1	501 00 44-05	TRANSFORMER	AU/NZ	1
2	583 97 34-01	STAPLE	100pcs	1
2	577 86 42-01	STAPLE	Blister pack, 100pcs	1
3	535 12 73-06	CABLE	20m	1
4	575 23 86-01	SCREW KIT	6pcs	1
4	577 86 49-01	SCREW	Blister Pack, 3pcs	2
5	580 66 20-02	WIRE	150m	1
5	577 86 43-01	WIRE	Blister pack, (150m)	1
6	535 12 90-01	CONNECTOR		1
6	577 86 48-01	CONNECTOR	Blister Pack, 5pcs	1
7	580 66 20-01	WIRE	250m	1
8	501 98 02-01	COUPLER		1
8	577 86 47-01	COUPLER	Blister pack, 5pcs	1
9	522 91 41-01	WIRE	500m, Ø3.4 mm	1
10	501 98 02-03	COUPLER	100pcs	1
11	544 17 75-01	MEASURING TAPE		1
12	579 57 12-01	LABEL		1
13	584 82 20-01	CIRCUIT BOARD ASSY		1
14	575 24 26-01	BODY	Earth, dark brown metallic	1
14	575 24 26-02	BODY	Air, white metallic	1
14	575 24 26-03	BODY	Water, dark blue metallic	1
14	575 24 26-04	BODY	Fire, orange metallic	1
15	586 27 79-01	STICKER	10pcs	1
16	115 53 38-01	OPERATOR'S MANUAL	Swedish	1
16	115 53 38-06	OPERATOR'S MANUAL	Danish	1
16	115 53 38-11	OPERATOR'S MANUAL	Finnish	1
16	115 53 38-21	OPERATOR'S MANUAL	Norwegian	1
16	115 53 38-26	OPERATOR'S MANUAL	English	1
16	115 53 38-31	OPERATOR'S MANUAL	French	1
16	115 53 38-32	OPERATOR'S MANUAL	French (Canada)	1
16	115 53 38-36	OPERATOR'S MANUAL	Dutch	1
16	115 53 38-41	OPERATOR'S MANUAL	Italian	1
16	115 53 38-46	OPERATOR'S MANUAL	Spanish	1
16	115 53 38-51	OPERATOR'S MANUAL	German	1
16	115 53 38-56	OPERATOR'S MANUAL	Russian	1
16	115 53 38-58	OPERATOR'S MANUAL	Hungarian	1
16	115 53 38-59	OPERATOR'S MANUAL	Portuguese	1
16	115 53 38-61	OPERATOR'S MANUAL	Polish	1
16	115 53 38-62	OPERATOR'S MANUAL	Romanian	1
16	115 53 38-63	OPERATOR'S MANUAL	Estonian	1
16	115 53 38-64	OPERATOR'S MANUAL	Lettish	1
16	115 53 38-65	OPERATOR'S MANUAL	Lithuanian	1
16	115 53 38-68	OPERATOR'S MANUAL	Slovak	1
16	115 53 38-71	OPERATOR'S MANUAL	Greek	1
16	115 53 38-76	OPERATOR'S MANUAL	Turkish	1
16	115 53 38-81	OPERATOR'S MANUAL	Croatian	1
16	115 53 38-84	OPERATOR'S MANUAL	Slovenian	1
16	115 53 38-90	OPERATOR'S MANUAL	Czech	1
16	115 53 38-95	OPERATOR'S MANUAL	English (EPA, CARB)	1
16	115 53 38-96	OPERATOR'S MANUAL	Spanish (USA)	1
17	115 13 05-01	INSTRUCTION	Swedish	1
17	115 13 05-06	INSTRUCTION	Danish	1
17	115 13 05-11	INSTRUCTION	Finnish	1
17	115 13 05-21	INSTRUCTION	Norwegian	1
17	115 13 05-26	INSTRUCTION	English	1
17	115 13 05-31	INSTRUCTION	French	1
17	115130532	TBD	French (Canada)	1
17	115 13 05-36	INSTRUCTION	Dutch	1
17	115 13 05-41	INSTRUCTION	Italian	1
17	115 13 05-46	INSTRUCTION	Spanish	1

ACCESSORIES

230 ACX, 2014-01

Ref	Part No	Description	Remark	QTY KIT
17	115 13 05-51	INSTRUCTION	German	1
17	115 13 05-56	INSTRUCTION	Russian	1
17	115 13 05-58	INSTRUCTION	Hungarian	1
17	115 13 05-59	INSTRUCTION	Portuguese	1
17	115 13 05-61	INSTRUCTION	Polish	1
17	115 13 05-62	INSTRUCTION	Romanian	1
17	115 13 05-63	INSTRUCTION	Estonian	1
17	115 13 05-64	INSTRUCTION	Lettish	1
17	115 13 05-65	INSTRUCTION	Lithuanian	1
17	115 13 05-68	INSTRUCTION	Slovak	1
17	115 13 05-71	INSTRUCTION	Greek	1
17	115 13 05-76	INSTRUCTION	Turkish	1
17	115 13 05-81	INSTRUCTION	Croatian	1
17	115 13 05-84	INSTRUCTION	Slovenian	1
17	115 13 05-90	INSTRUCTION	Czech	1
17	115 13 05-95	INSTRUCTION	English (EPA, CARB)	1
17	115130596	TBD	Spanish (USA)	1

H AUTOMOWER 230 ACX ACCESSORIES



ACCESSORIES

230 ACX, 2014-01

Ref	Part No	Description	Remark	QTY	KIT
1	535 13 87-03	BLADE SET	Carbon steel, 9pcs	1	
1	577 86 44-01	BLADE SET	Carbon steel, Blister Pack, 9pcs	1	
1	535 13 88-03	BLADE SET	Carbon steel, 45pcs	1	
1	505 12 78-02	BLADE SET	Carbon steel, 500pcs	1	
2	577 60 64-03	BLADE SET	Carbon steel, Thick, 9pcs	1	
2	577 86 46-01	BLADE SET	Carbon steel, Thick, Blister Pack, 9pcs	1	
2	577 60 65-03	BLADE SET	Carbon steel, Thick, 45pcs	1	
2	577 60 66-02	BLADE SET	Carbon steel, Thick, 300pcs	1	
3	535 13 23-02	WIRING		1	
4	577 85 81-02	DVD		1	
5	578 05 13-02	GREASE	Yellow (300 ml)	1	
5	579 38 19-02	GREASE	Transparent (300 ml)	1	
6	578 05 13-01	GREASE	Yellow (85 ml)	1	
6	579 38 19-01	GREASE	Transparent (85 ml)	1	
7	522 73 65-01	ADAPTER		1	
8	577 60 68-01	TEST EQUIPMENT		1	
9	504 82 13-01	WALL HANGER		1	
10	522 42 58-01	BOOSTER		1	
11	505 13 27-01	BRUSH KIT	Incl Brush, 6pcs	1	
11	577 86 50-01	BRUSH KIT	Incl Brush, Blister Pack, 6pcs	1	
12	505 13 28-02	BRUSH	6pcs	1	
13	522 91 67-01	BAG		1	
14	575 23 17-02	WHEEL KIT	400g	1	
14	577 86 51-01	WHEEL KIT	400g, Blister pack, 2pcs	1	
15	575 24 24-02	GPS MODULE		1	
16	504 82 14-01	HOUSING		1	
17	575 23 86-01	SCREW KIT	6pcs	1	16
18	505 25 07-01	KIT		2	16
19	505 18 81-01	LOCKWASHER		2	16
20	505 12 36-01	PEN		4	16
21	505 22 94-01	WASHER		1	16
22	505 12 32-01	HOUSING		1	16
23	576 21 94-01	WIRING ASSY		1	15
24	576 38 10-01	BATTERY		1	15
25	522 59 71-01	SCREW		2	15
26	522 59 72-01	WASHER		2	15