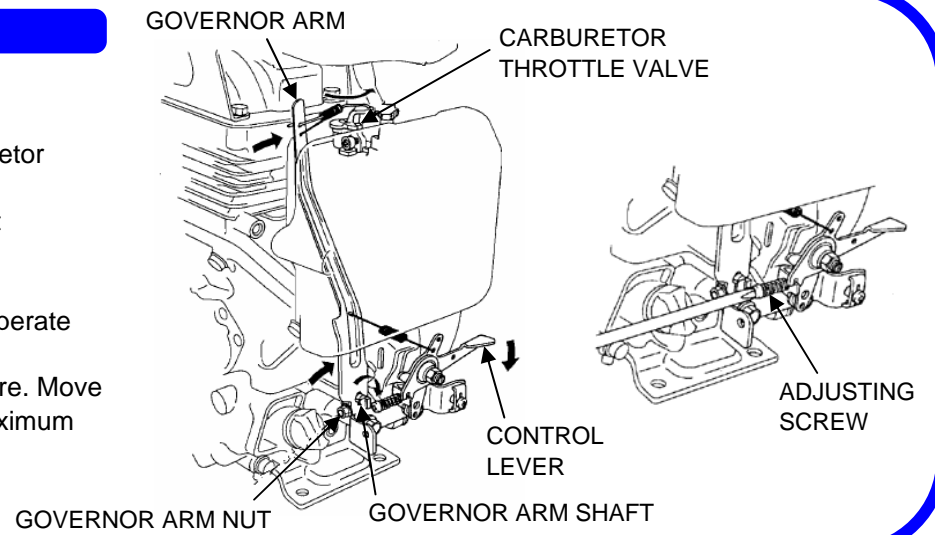




## GOVERNOR

- ①. Move the control lever to the "FAST" position.
- ②. Loosen the governor arm nut on the governor arm.
- ③. Pushing the governor arm end toward the carburetor side, open the carburetor throttle valve fully.
- ④. Holding the carburetor throttle valve fully open, turn the governor arm shaft clockwise fully, and tighten the governor arm nut to the specified torque.  
TORQUE: **10 N·m (1.0 kgf·m)**
- ⑤. Check to see whether the governor arm and the carburetor throttle valve operate smoothly.
- ⑥. Start the engine and allow it to warm up to the normal operating temperature. Move the control lever to the maximum engine speed position and check the maximum engine speed. Maximum engine speed (no load): **4,000 ± 200 rpm**
- ⑦. Adjust the maximum engine speed, if necessary, by turning the adjusting screw in or out.



## VALVE CLEARANCE

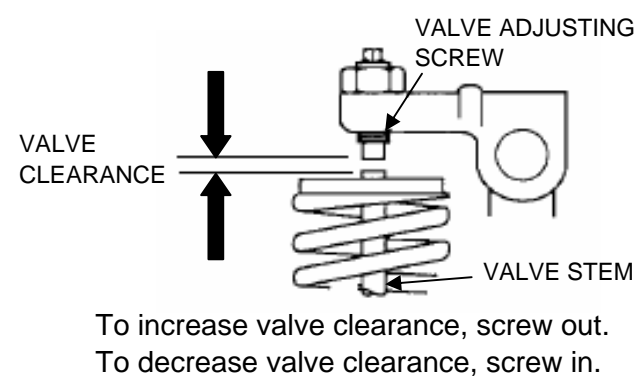
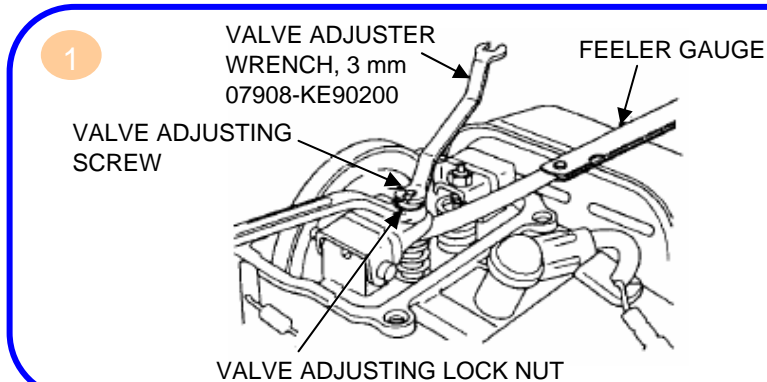
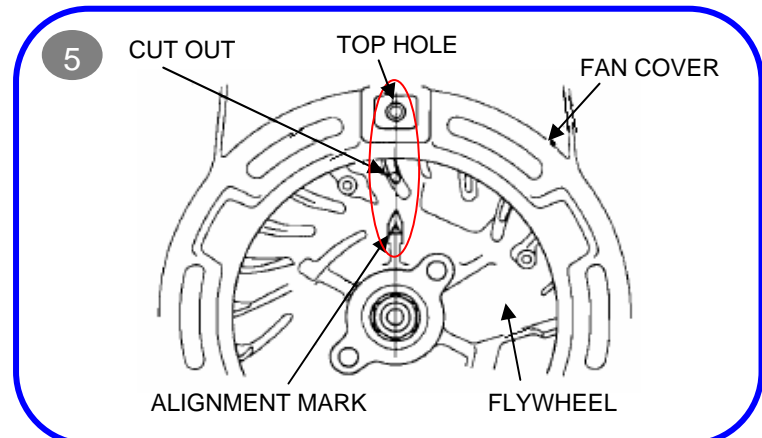
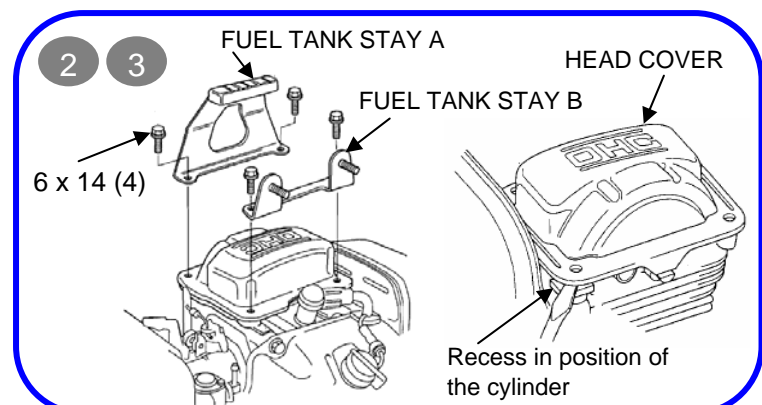
NOTE: Valve clearance inspection and adjustment must be performed with the engine cold.

Check:

- ①. Remove the fuel tank.
- ②. Loosen the four 6 x 14 mm flange bolts, and remove the fuel tank stay A and B.
- ③. To remove the head cover, insert a screw driver or equivalent tool into the recess in the position of the cylinder shown. Remove the head cover slowly.  
\* Clean up any spilled engine oil with a shop towel when removing the head cover.  
CAUTION: Do not remove the head cover with force, because that can deform the head cover. Replace the head cover if it is deformed.
- ④. Remove the recoil starter.
- ⑤. Set the piston at top dead center of the compression stroke (both valves fully closed). Align the cutout in the flywheel fin or the alignment mark on the flywheel with the top hole on the fan cover.  
\* If the exhaust valve opens when the cutout in the flywheel fin is aligned with the top hole on the fan cover, turn the flywheel one turn and align the marks.  
The top dead center of the compression stroke is in the position where the head cover mating surface is in line with the cam pulley alignment marks.
- ⑥. Insert a feeler gauge between the valve adjusting screw and the valve, and measure the valve clearance.  
Standard valve clearance: **0.15 ± 0.04 mm (0.006 ± 0.002 in) (IN)**  
**0.20 ± 0.04 mm (0.008 ± 0.002 in) (EX)**

Adjustment:

- ①. If adjustment is necessary, proceed as follows:
  - a. Hold the valve adjusting screw using the special tool, and loosen the lock nut.  
TOOL: Valve adjuster wrench, 3 mm 07908-KE90200
  - b. Turn the adjusting screw to obtain the specified intake and exhaust valve clearance.
  - c. Hold the valve adjusting screw using the special tool, and tighten the lock nut.  
TORQUE: **7.5 N·m (0.75 kgf·m)**
- ②. Recheck valve clearance after tightening the lock nut.
- ③. Install the head cover and recoil starter.



## IGNITION COIL AIR GAP

Adjustment is required only when the ignition coil or the flywheel has been removed.

- ①. Loosen the two ignition coil bolts.
- ②. Insert a long feeler gauge of the proper thickness between the ignition coil and the flywheel.
- ③. Push the ignition coil firmly toward the flywheel and tighten the bolts.  
Specified clearance: **0.2 - 0.5 mm (0.008 - 0.020 in)**

NOTE: Avoid the flywheel magnet when adjusting the ignition coil air gap.

