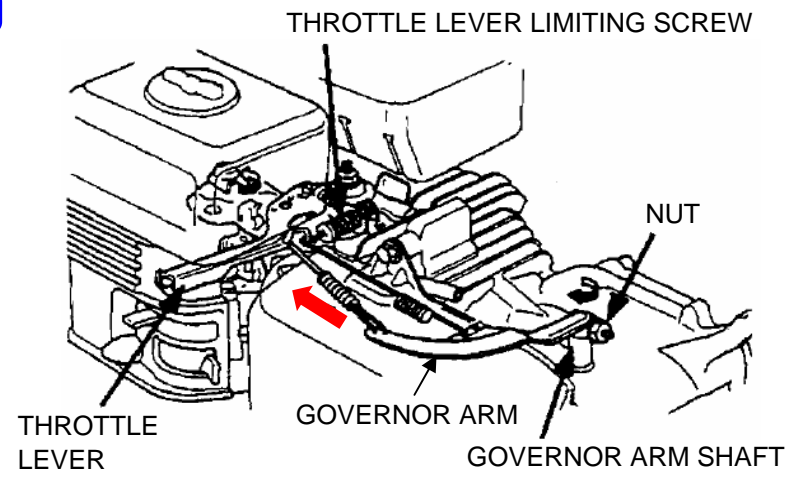




**GOVERNOR**

- ①. Remove the fuel tank.
- ②. Loosen the nut on the governor arm and move the governor arm to fully open the throttle.
- ③. Rotate the governor arm shaft as far as it will go in the same direction the governor arm moved to open the throttle. Tighten the nut on the governor arm.
- ④. Start the engine and allow it to warm up to normal operating temperature. Move the throttle lever to run the engine at the standard maximum speed, and adjust the throttle lever limiting screw so the throttle lever cannot be moved past that point.

Maximum speed: **3,900 ± 100 rpm**



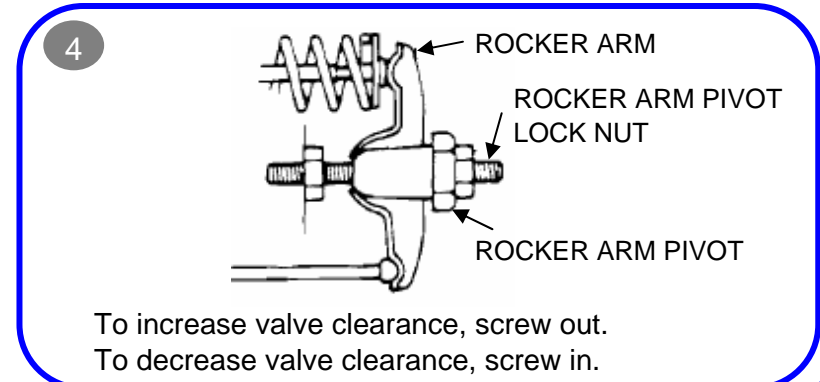
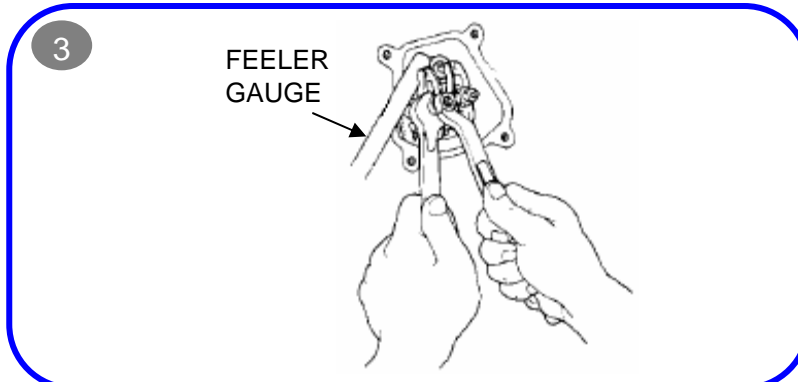
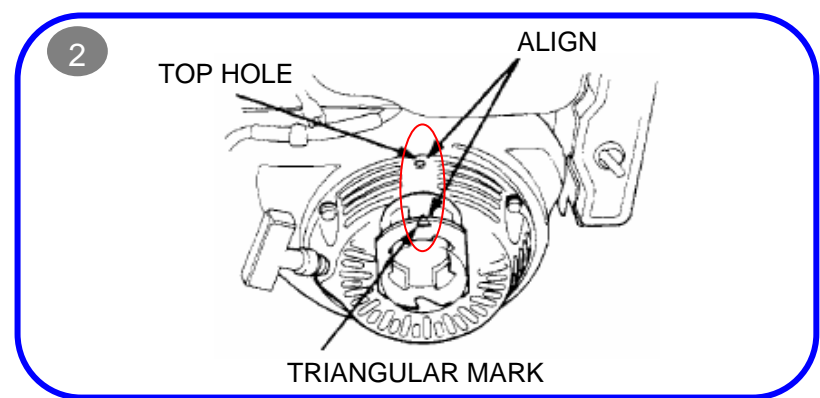
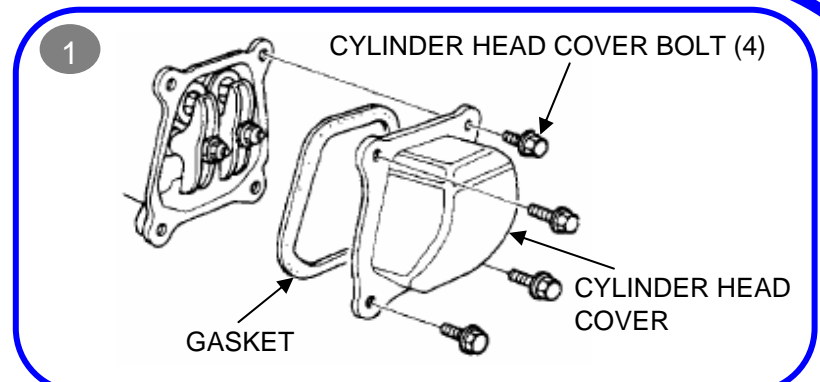
**VALVE CLEARANCE**

NOTE: Valve clearance inspection and adjustment must be performed with the engine cold.

- ①. Remove the four cylinder head cover bolts, cylinder head cover and gasket.
- ②. Set the piston at top dead center of the compression stroke (both valves fully closed). The triangular mark on the starter pulley will align with the top hole on the fan cover when the piston is at top dead center of the compression or exhaust stroke.
- ③. Insert a feeler gauge between the rocker arm and valve to measure valve clearance.

Standard valve clearance	IN	<b>0.15 ± 0.02 mm (0.006 ± 0.001 in)</b>
	EX	<b>0.20 ± 0.02 mm (0.008 ± 0.001 in)</b>

- ④. If adjustment is necessary, proceed as follows:
  - a. Hold the rocker arm pivot and loosen the rocker arm pivot lock nut.
  - b. Turn the rocker arm pivot to obtain the specified clearance.
  - c. Retighten the rocker arm pivot lock nut while holding the rocker arm pivot.
  - d. Recheck valve clearance after tightening the rocker arm pivot lock nut.



**IGNITION COIL AIR GAP**

Adjustment is required only when the ignition coil or the flywheel has been removed.

- ①. Loosen the ignition coil bolts.
- ②. Insert a long thickness gauge or piece of paper of the proper thickness between the ignition coil and the flywheel. Both gaps should be adjusted simultaneously.
- ③. Push the ignition coil firmly toward the flywheel and tighten the bolts.

Specified clearance: **0.4 ± 0.2 mm (0.016 ± 0.008 in)**

NOTE: Avoid the magnet part of the flywheel when adjusting.

