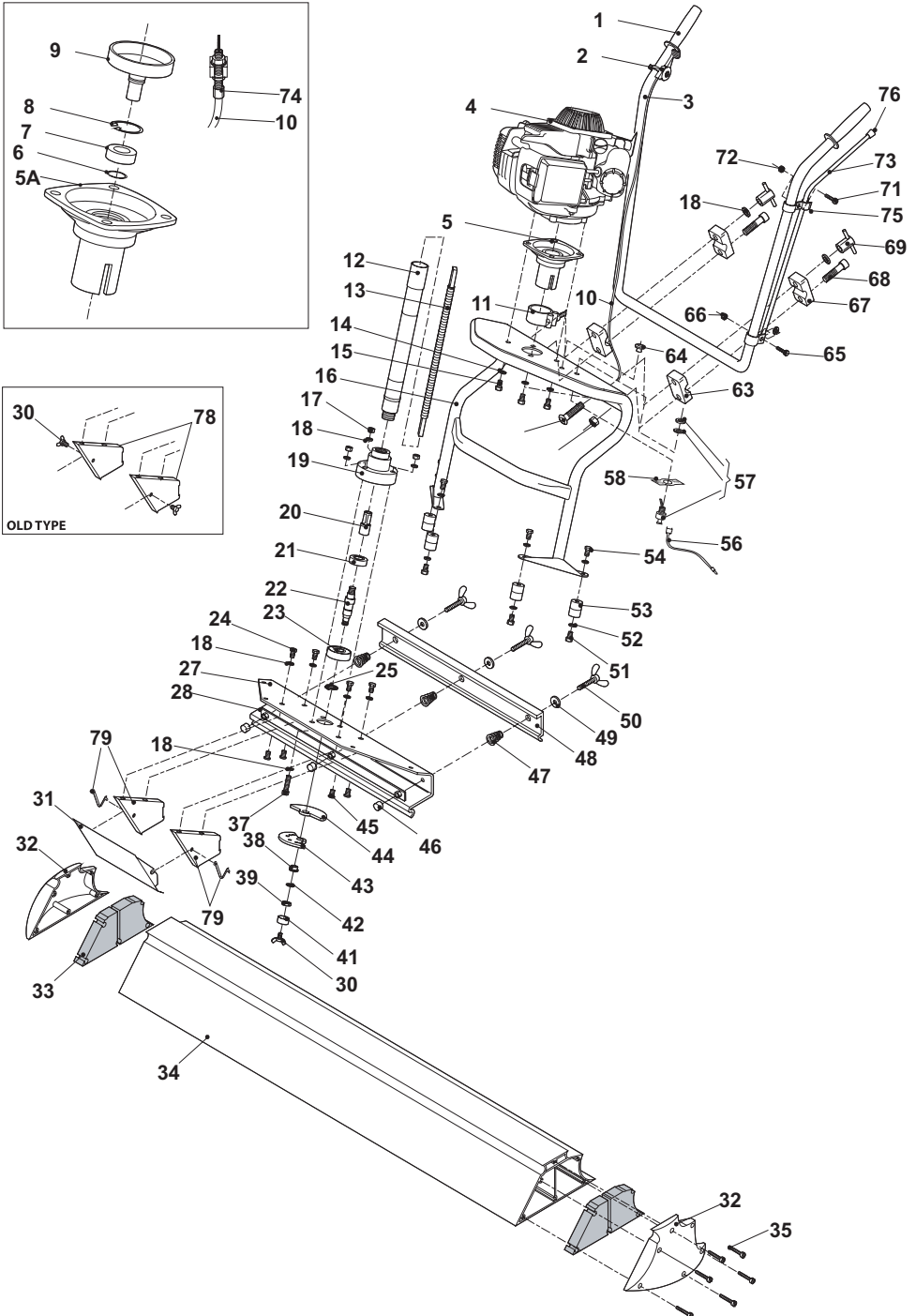


# Easy Screed Pro (Up To December 2004)



# Easy Screed Pro (Up To December 2004)

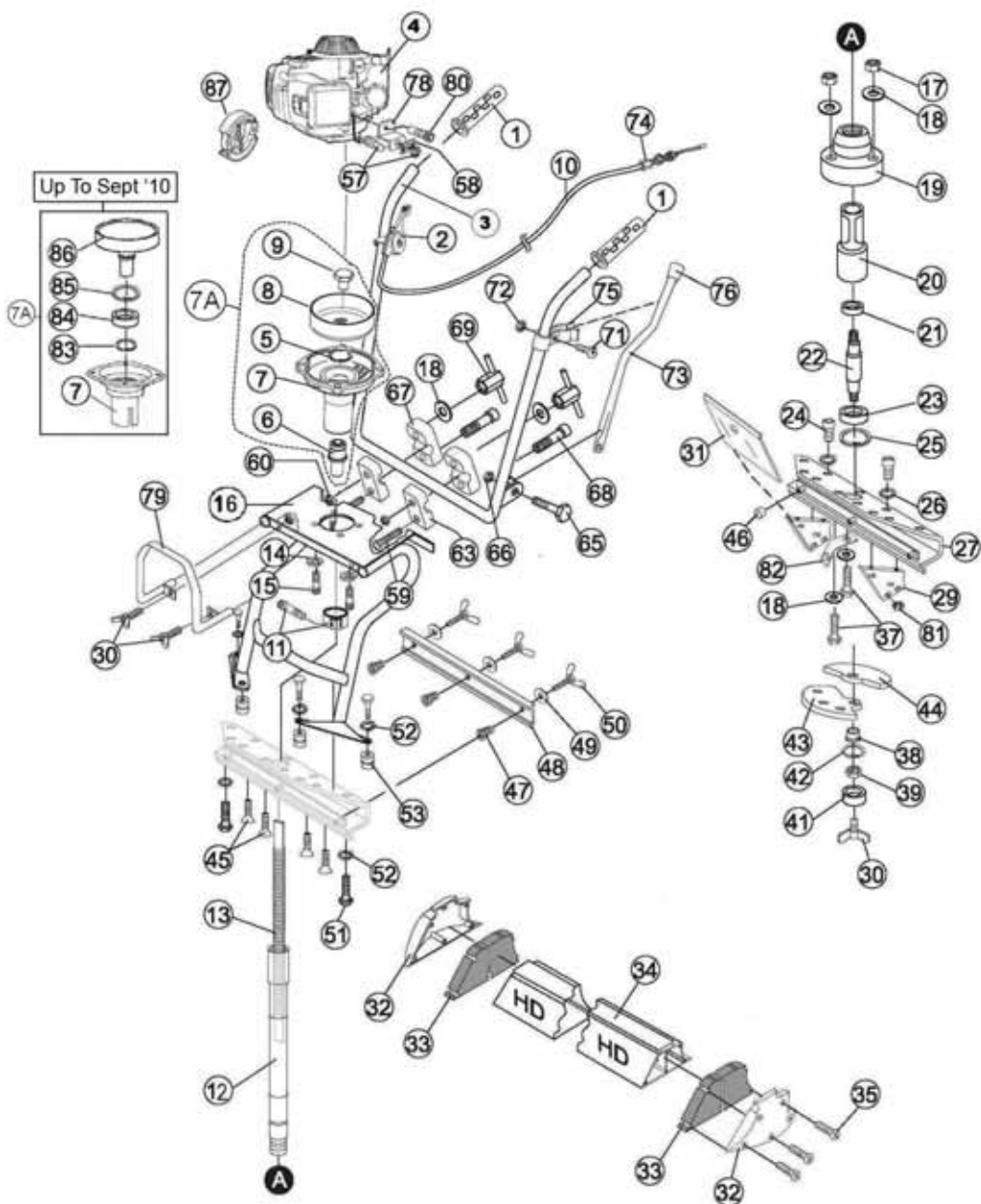
ITEM NUMBER <sup>(1)</sup>	PART NUMBER <sup>(2)</sup>	DESCRIPTION <sup>(3)</sup>	ITEM NUMBER <sup>(1)</sup>	PART NUMBER <sup>(2)</sup>	DESCRIPTION <sup>(3)</sup>
1	19.0.708	HANDLE GRIP	50	157.0.005	CLAMP
2	157.0.016	THROTTLE HANDLE	51	157.0.238	SETSCREW (M8 X 12)
3	157.0.017	UPPER OPERATING HANDLE	52	157.0.310	INTERNAL TOOTHED RING (M8)
4	157.0.233	HONDA ENGINE (GX31)	53	157.0.048	RUBBER BUFFER
5	157.0.018	CLUTCH HOUSING COMP. (NO ITEM 11)	54	157.0.168	BOLT (M8 X 10)
5A	157.0.019	CLUTCH HOUSING c/w ALUMINIUM RING	56	157.0.246	EARTH WIRE
6	157.0.051	RETAINING RING (17 X 1MM)	57	157.0.008	STOP SWITCH
7	157.0.020	BEARING	58	157.0.009	ON-OFF INDICATION PLATE
8	157.0.052	RETAINING RING (LARGE)	59	00.0.862	CARRIAGE BOLT (M8 X 50)
9	157.0.021	CENTRIFUGAL DRUM	60	157.0.240	SELF LOCKING NUT (M6)
10	157.0.053	THRITTLE ASSY CABLE (95CM)	63	157.0.010	LOWER ALUMINIUM CLAMP
11	157.3.033	CLAMP	64	157.0.011	RUBBER SLEEVE
12	157.0.024	RUBBER HOSE c/w CONNECTORS	65	02.0.014	TAP BOLT (M6 X 20)
13	157.0.025	FLEXIBLE SHAFT	66	01.0.103	SELF LOCKING NUT (M6)
14	4/6005	SPRING WASHER (M6)	67	157.0.012	UPPER ALUMINIUM CLAMP
15	07.0.027	SOCKET HEAD BOLT (M6 X 25)	68	157.0.241	BOLT (M6 X 40)
16	157.0.026	LOWER OPERATING HANDLE	69	157.0.013	HEIGH ADJ. CLAMP
17	157.0.161	SELF LOCKING NUT (M8)	71	157.0.354	SCREW
18	157.0.332	WASHER	72	157.0.355	SELF LOCKING NUT
19	157.0.023	ECCENTRIC HOUSING	73	157.0.014	SUPPORTING LEG
19A	157.3.023	ECCENTRIC HOUSING (COMPLETE)	74	157.0.049	THRITTLE ADJ. BOLT
20	157.0.028	COUPLING DRIVE PIN	75	157.0.015	SUPPORT LEG CLAMP
21	157.0.029	BEARING (SMALL)	76	157.0.050	RUBBER PROTECTION CAP
22	157.0.030	ECCENTRIC SHAFT	77	157.0.247	SPEED LIMIT SCREW
23	157.0.031	BEARING (LARGE)	78	157.0.242	PLASTIC BLOCK (OLD)
24	157.0.324	BOLT (M8)	79	157.0.243	PLASTIC BLOCK & CLIP (NEW TYPE)
25	157.0.051	RETAINING RING (17 X 1MM)	NOT SHOWN		
27	157.0.032	ECCENTRIC ASSEMBLY PLATE	-	157.0.243	EASY SCREED PRO DECAL
28	157.0.033	STRIP c/w NUTS	-	157.0.246	EASY SCREED TAG
30	157.0.189	WING NUT			
31	157.0.034	ECCENTRIC COVER			
32	157.0.035	END CAP SET			
33	157.0.036	SEAL SET (ONE SIDE ONLY)			
34	157.0.037	PROFILE (1.5M / 5FT)			
34A	157.0.038	PROFILE (1.9M / 6FT)			
34B	157.0.039	PROFILE (2.5M / 8FT)			
34C	157.0.040	PROFILE (3M / 10 FT)			
34D	157.0.041	PROFILE (3.75M / 12 FT)			
34E	157.0.042	PROFILE (4.25M / 14FT)			
34F	157.0.043	PROFILE (5M / 16FT)			
34G	157.0.044	PROFILE (5.5 M / 18FT)			
34H	157.0.045	PROFILE (6M / 20FT)			
35	07.9.015	SELF TAPPING SCREW (M5 X 20)			
37	9/8019	BOLT (M8 X 40)			
38	157.0.046	HINGE BUSH FOR ECCENTRIC			
39	157.0.235	HALF NUT (M12 FINE)			
41	157.0.047	CLAMPING BUSH			
42	157.0.000	RETAINING RING (M12)			
43	157.0.001	ECCENTRIC PLATE (SMALL)			
44	157.0.002	ECCENTRIC PLATE (LARGE)			
45	07.0.106	C'SUNK HEADSCREW (M8 X 20)			
46	157.0.236	PROTECTIVE CAP (M12)			
47	157.0.003	SPRING			
48	157.0.004	ALUMINIUM CLAMPING STRIP			
49	157.0.237	WASHER (M12 X 6)			

<sup>(1)</sup> Item Number / numéro sur le schéma / número de la ilustración / número da ilustração / afbeeldingsnummer / tegningsnummeret / Teil-Nummer / numero dell'illustrazione

<sup>(2)</sup> Part Number / Numéro de référence de la pièce / número de pieza / número da parte / stuknummer / Styknummer / Nummer auf der Abbildung / numero di parte

<sup>(3)</sup> Description / Désignation / Descripción / Descrição / Omschrijving / Beskrivelse / Bezeichnung / Descrizione

# Easy Screed Pro (From January 2005)



# Easy Screed Pro (From January 2005)

ITEM NUMBER <sup>(1)</sup>	PART NUMBER <sup>(2)</sup>	DESCRIPTION <sup>(3)</sup>	QTY <sup>(4)</sup>	ITEM NUMBER <sup>(1)</sup>	PART NUMBER <sup>(2)</sup>	DESCRIPTION <sup>(3)</sup>	QTY <sup>(4)</sup>
1	19.0.708	HAND GRIP 1" I/D	2	52	157.0.310	RING	8
2	157.0.016	THROTTLE HANDLE	1	53	157.0.048	RUBBER BUFFER 30x30	4
3	157.0.017	OPERATING HANDLE	1	54	7/8038	BOLT M8x10	4
4	157.0.460	ENGINE HONDA GX35	1	56	157.0.246	EARTH WIRE	1
5	SEE ITEM 7A	RETAINING RING	1	57	157.0.008	STOP SWITCH	1
6	SEE ITEM 7A	COUPLING DRIVE PIN	1	58	157.0.009	ON/OFF PLATE	1
7	SEE ITEM 7A	CENTRIFUGAL CLUTCH	1	59	00.0.862	COACH BOLT M8x50	2
7A	157.0.018	HOUSING C/W ALU RING	1	60	157.0.240	SELF LOCKING NUT M6	2
		CENTRIFUGAL CLUTCH	1	63	157.0.010	ALUMINIUM CLAMP	2
		HOUSING COMP.	1	65	157.0.479	TAP BOLT M6x30	1
8	SEE ITEM 7A	CENTRIFUGAL DRUM	1	66	8/6007	NUT - M6 HEX NYLOC	1
9	SEE ITEM 7A	BOLT M12 X 6	1	67	157.0.012	ALUMINIUM CLAMP	2
10	157.0.053	THROTTLE CABLE 95CM	1	68	7/6015	BOLT M6x40	2
11	157.3.033	CLAMP	1	69	157.0.013	HEIGHT ADJ. CLAMP	2
12	157.0.462	RUBBER HOSE	1	71	02.0.002	SCREW M5x16	1
		WITH CONNECTORS	1	72	157.0.355	SELF LOCKING NUT	1
13	157.0.463	FLEXIBLE SHAFT	1	73	157.0.472	SUPPORTING LEG	1
14	4/8005	WASHER M8 SPRING	4	74	157.0.049	THROTTLE ADJ. BOLT	1
15	7/6019	CAP SCREW M6x25	4	75	157.0.015	CLAMP	1
16	157.0.464	OPERATING HANDLE	1	76	157.0.050	PROTECTION CAP	1
17	157.0.161	NUT M8	3	77	157.0.473	RPM BLOCKING BUSH	1
18	4/8006	WASHER M8	8	78	157.0.474	GX35 SWITCH BRACKET	1
19	157.0.023	ECCENTRIC HOUSING	1	79	157.0.475	LIFTING HANDLE	1
20	157.0.028	NUT M8	1	80	10-330-0512	CAP SCREW M5x12	1
21	157.0.029	BEARING (SMALL)	1	81	157.0.477	SQUARE NUT M8	8
22	157.0.030	ECCENTRIC SHAFT	1	82	157.0.478	SPRING CLIP	1
23	157.0.031	ECCENTRIC BEARING	1	83	157.0.051	RETAINING RING	1
24	7/8001	CAP SCREW M8x30	4	84	157.0.020	BEARING	1
25	157.0.051	ECCENTRIC BEARING	1	85	157.0.052	RETAINING RING (BIG)	1
26	157.0.465	TOOTH RING	4	86	157.0.021	CENTRIFUGAL DRUM	1
27	157.0.466	ECCENTRIC ASSY PLATE	1	87	22000-ZM5-003	CLUTCH ASSY	1
28	157.0.467	STRIP C/W NUTS	2				
29	157.0.468	SUPPORT BLOCK	2				
30	157.0.189	WING NUT	3				
31	157.0.469	COVER OF ECCENTRIC	1				
32	157.0.035	SET OF END CAPS	1				
33	157.0.036	SET OF SEALS (1 SIDE)	1				
34	157.0.037	PROFILE (1.5M / 5FT)	1				
34A	157.0.038	PROFILE (1.9M / 6FT)	1				
34B	157.0.039	PROFILE (2.5M / 8FT)	1				
34C	157.0.040	PROFILE (3.0M / 10FT)	1				
34D	157.0.041	PROFILE (3.75M / 12FT)	1				
34E	157.0.042	PROFILE (4.25M / 14FT)	1				
34F	157.0.043	PROFILE (5.0M / 16FT)	1				
34G	157.0.044	PROFILE (5.5M / 18FT)	1				
34H	157.0.045	PROFILE (6.0M / 20FT)	1				
35	07.9.015	SCREW M5x20	12				
37	9/8019	BOLT M8x40	3				
38	157.0.046	HINGE BUSHING	1				
39	157.0.235	HALF NUT M12 (FINE)	1				
41	157.0.047	CLAMPING BUSH	1				
42	157.0.000	RETAINING RING - M12	1				
43	157.0.001	ECCENTRIC PLATE	1				
44	157.0.002	EXCENTRIC PLATE (BIG)	1				
45	157.0.470	C'SUNK SCREW M8x25	4				
46	157.0.236	PLASTIC CAP M12	3				
47	157.0.003	COMPRESSION SPRING	3				
48	157.0.471	ALUMINIUM CLAMP STRIP	1				
49	157.0.237	WASHER M12x6	3				
50	157.0.005	CLAMP	3				
51	7/8004	SET SCREW M8x12	4				

<sup>(1)</sup> Item Number / numéro sur le schéma / número de la ilustración / número da ilustração / afbeeldingsnummer / tegningsnummeret / Teil-Nummer / numero dell'illustrazione

<sup>(2)</sup> Part Number / Numéro de référence de la pièce / número de pieza / número da parte / stuknummer / Styknummer / Nummer auf der Abbildung / numero di parte

<sup>(3)</sup> Description / Désignation / Descripción / Descrição / Omschrijving / Beskrivelse / Bezeichnung / Descrizione

<sup>(4)</sup> Quantity / Quantité / Cantidat / Quantidade / Hoeveelheid / Mængde / Quantität / Quantità



BELLE  
LIGHT  
CONSTRUCTION  
EQUIPMENT

ALTRAD BELLE  
Sheen, Nr. Buxton, Derbyshire, SK17 0EU, GB  
Tel. +44 (0)1298 84606 - Fax +44 (0)1298 84722 - Email: [sales@altrad-belle.com](mailto:sales@altrad-belle.com)  
**[www.Altrad-Belle.com](http://www.Altrad-Belle.com)**