

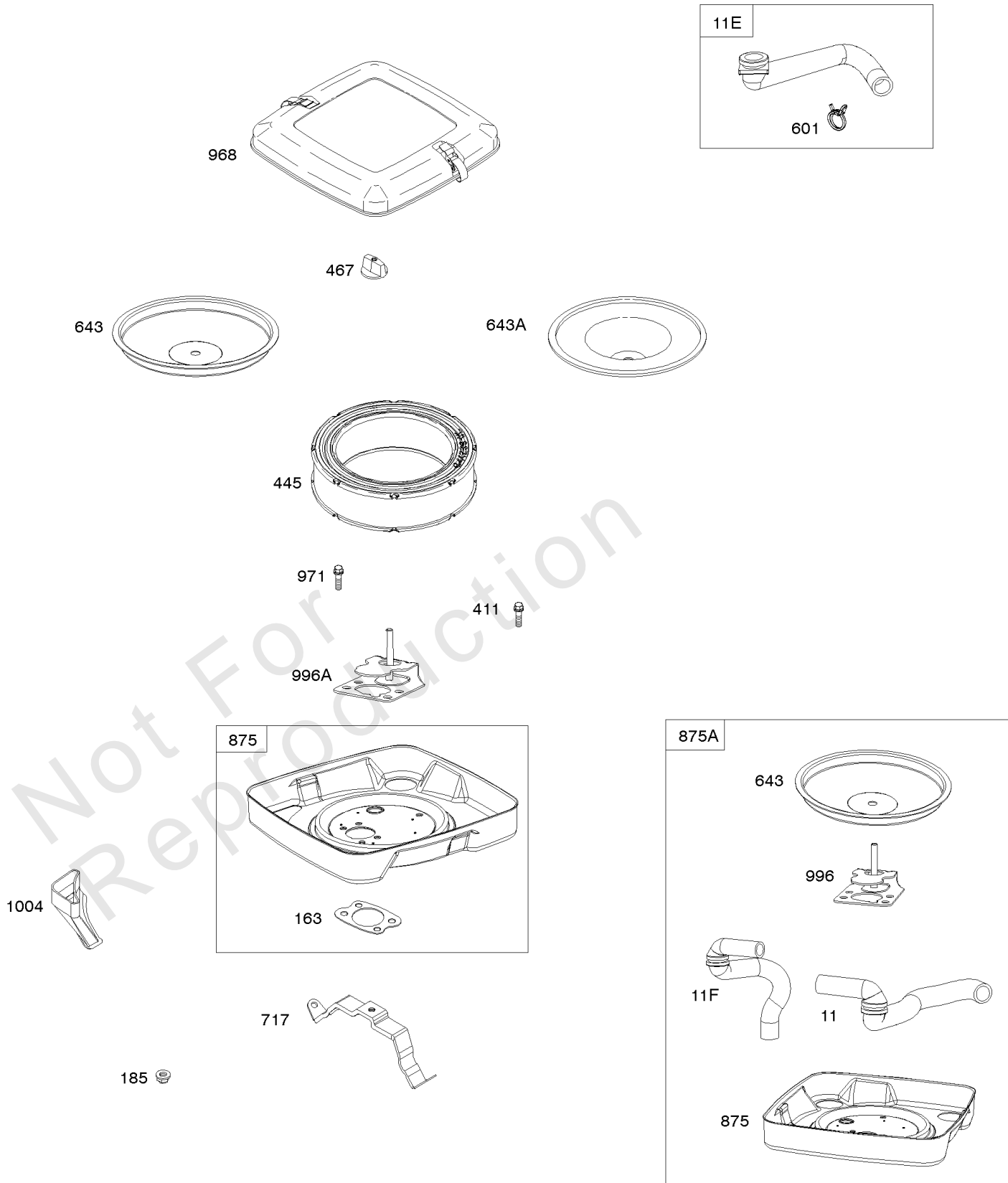


Parts Manual

Mfg. No: 359775-0112-E2

| Model Components | Page |
|--|-------------|
| Air Cleaner..... | 4 |
| Armature, Alternator, Regulator, Control Bracket..... | 6 |
| Blower Housings, Air Guides..... | 8 |
| Carburetor/Mixer, Intake Manifold, Fuel Lines..... | 10 |
| Cylinder Heads, Rocker Covers..... | 12 |
| Cylinder, Piston/Rings/Connecting Rod, Crankshaft..... | 14 |
| Delta Products..... | 16 |
| Electric Starters, Flywheel, Rotating Screen..... | 18 |
| Engine Gasket Set, Valve Gasket Set..... | 20 |
| Engine Sumps, Camshaft, Dipstick Tube..... | 22 |
| Oil Cooler, Oil Filter Adapters, Oil Filters..... | 24 |
| Replacement Engine - US & Canada..... | 26 |

Not For
Reproduction

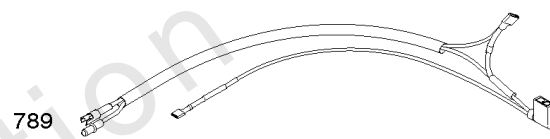
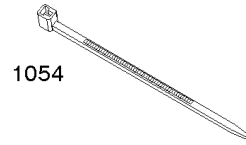
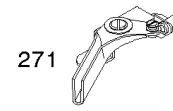
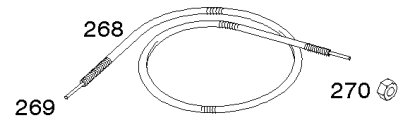
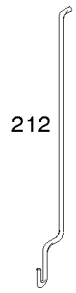
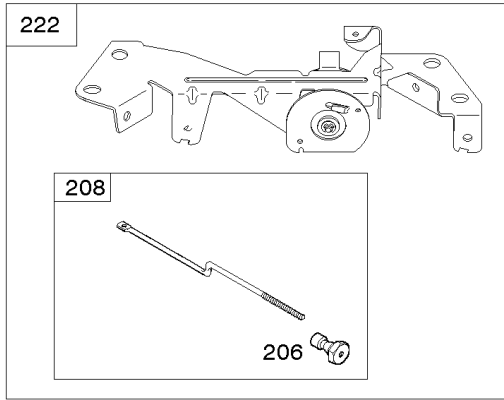


Air Cleaner

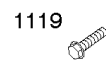
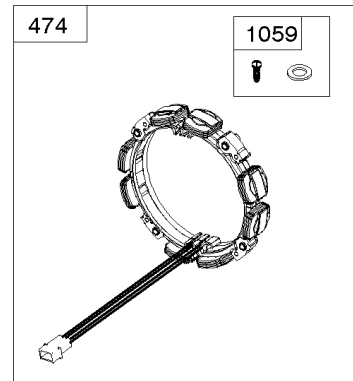
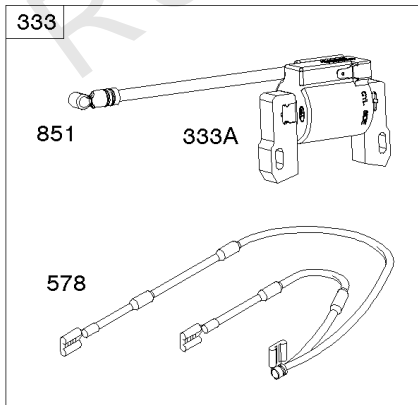
| REF NO | PART NO | QTY | DESCRIPTION |
|--------|---------|-----|---|
| 11 | 844976 | | TUBE, Breather -Used After Code Date 12013100 |
| 11F | 844921 | | TUBE, Breather |
| 163 | 692081 | | GASKET, Air Cleaner -(Air Cleaner) |
| 185 | 690939 | | NUT -(Air Cleaner Base) |
| 411 | 807084 | | SCREW -(Air Cleaner Base to Air Cleaner Bracket) |
| 445 | 841359 | | FILTER, A/C Cartridge |
| 467 | 846431 | | KNOB, Air Cleaner Cover -Used After Code Date 10033100 |
| 601 | 691145 | | CLAMP, Hose -(Breather Tube) |
| 643 | 844932 | | RETAINER, Air Filter -Used After Code Date 12013100 |
| 643A | 692079 | | RETAINER, Air Filter -Used Before Code Date 12020100 |
| 717 | 692153 | | BRACKET, Air Cleaner |
| 875 | 844974 | | BASE, Air Cleaner -Used After Code Date 12013100 |
| 875A | 846046 | | BASE, Air Cleaner -Used Before Code Date 12020100 |
| 968 | 699959 | | COVER, Air Cleaner |
| 971 | 807084 | | SCREW -(Air Cleaner Base to Carburetor/Throttle Body) |
| 996 | 844930 | | SHIELD, Carburetor -Used After Code Date 12013100 |
| 996A | 691577 | | SHIELD, Carburetor -Used Before Code Date 12020100 |
| 1004 | 842258 | | DUCT, Air |

Armature, Alternator, Regulator, Control Bracket

Mfg. No: 359775-0112-E2

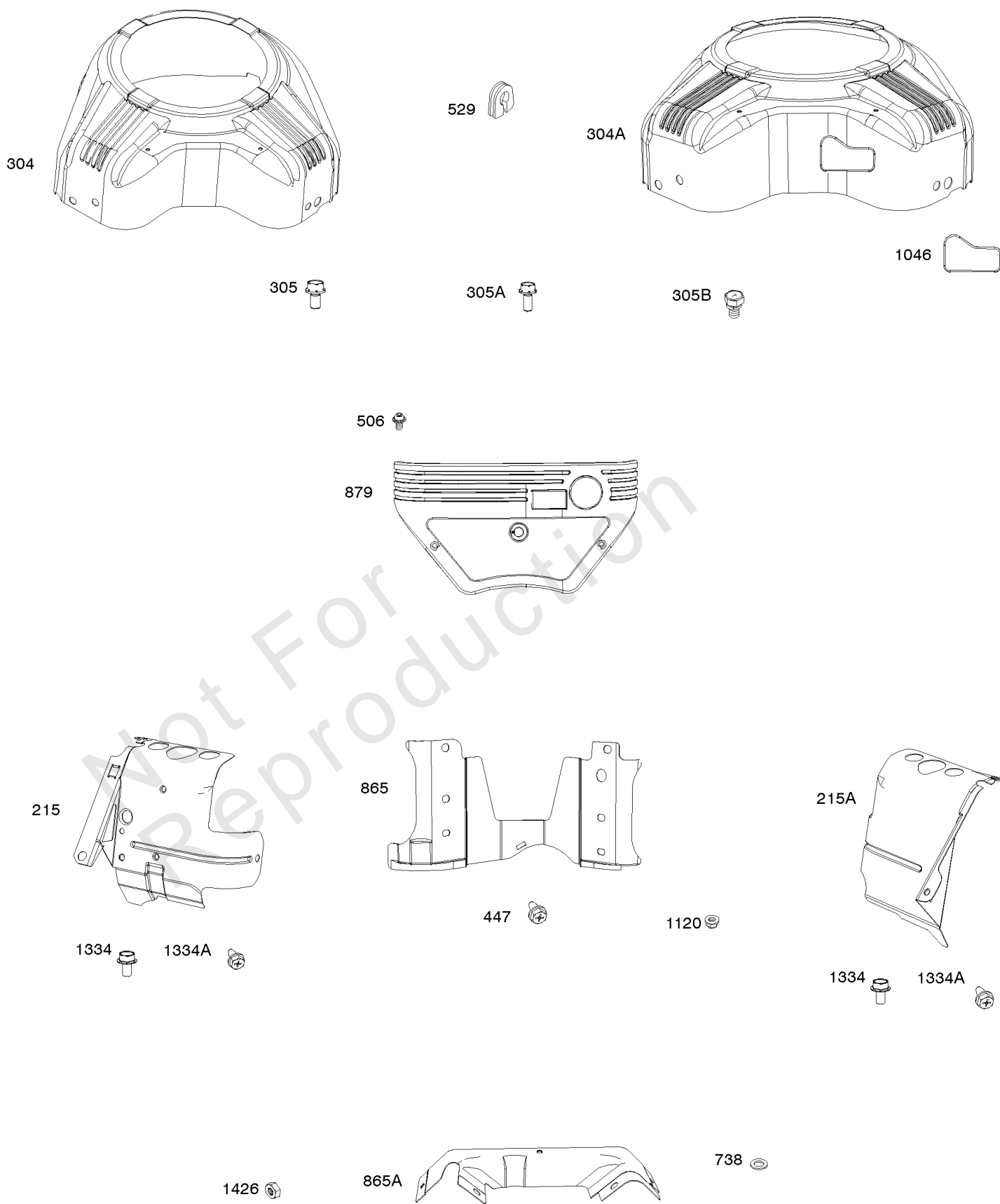


Not For Reproduction



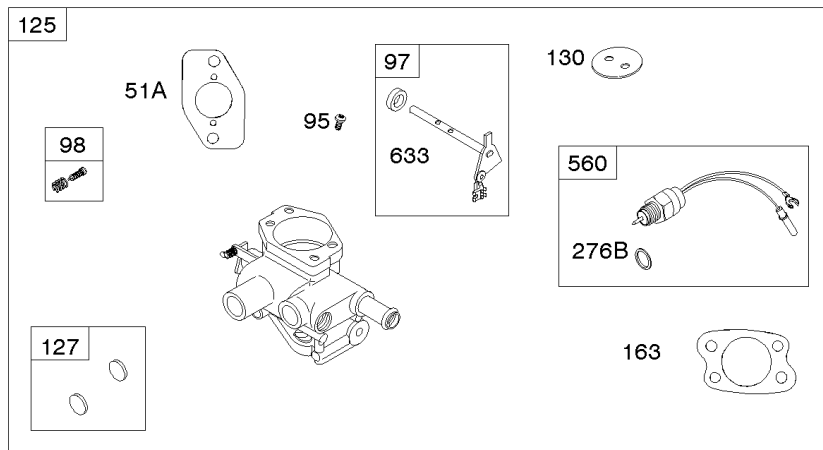
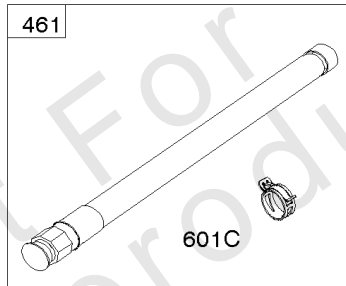
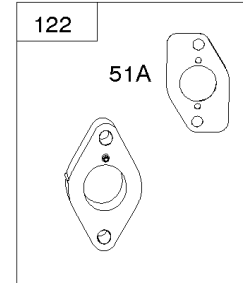
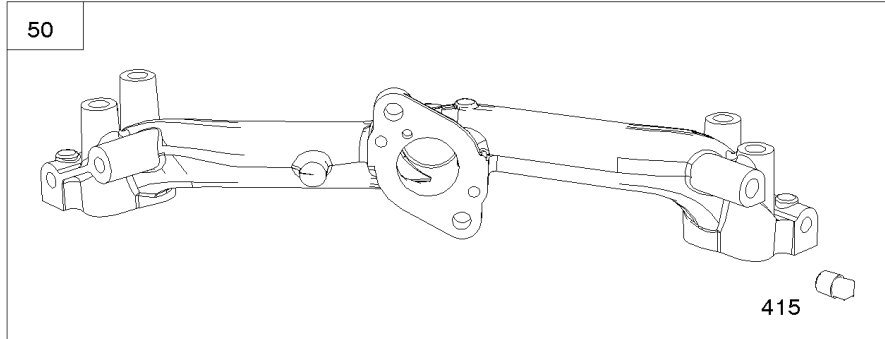
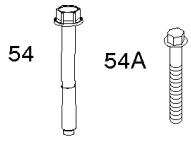
Armature, Alternator, Regulator, Control Bracket

| REF NO | PART NO | QTY | DESCRIPTION |
|--------|---------|-----|--------------------------------------|
| 188 | 692062 | | SCREW -(Control Bracket) |
| 206 | 691244 | | NUT, Governor Adjusting |
| 208 | 808453 | | ROD, Governor Control |
| 209 | 691506 | | SPRING, Governor -(Yellow) |
| 211 | 692068 | | SPRING, Governed Idle -(Red) |
| 212 | 690712 | | LINK, Throttle |
| 222 | 845305 | | BRACKET, Control |
| 232 | 692073 | | SPRING, Governor Link |
| 262 | 841552 | | SCREW -(Rod Bracket) |
| 268 | 691025 | | CASING, Control Wire |
| 269 | 691026 | | WIRE, Control |
| 270 | 691027 | | NUT -(Control Wire Casing) |
| 271 | 691028 | | LEVER, Control |
| 280 | 691526 | | BRACKET, Fixed Speed |
| 333 | 845606 | | ARMATURE, Magneto |
| 333A | 844548 | | ARMATURE, Magneto |
| 334 | 692066 | | SCREW -(Magneto Armature) |
| 359 | 691077 | | WASHER -(Ground Terminal) |
| 373 | 691612 | | NUT -(Ground Terminal) |
| 432 | 691509 | | CAP, Spring |
| 507 | 691972 | | INSULATOR |
| 520 | 691084 | | TERMINAL, Ground |
| 529 | 690744 | | GROMMET -(Magneto Armature Wires) |
| 578 | 844547 | | WIRE ASSEMBLY |
| 635 | 692076 | | BOOT, Spark Plug |
| 689 | 691272 | | SPRING, Friction |
| 729 | 593826 | | CLIP, Wire |
| 789 | 844549 | | HARNESS, Wiring |
| 851 | 493880S | | TERMINAL, Spark Plug |
| 1054 | 280275 | | TIE, Cable |
| 1059 | 698516 | | KIT, Screw/Washer -(Alternator) |
| 1119 | 691552 | | SCREW -(Alternator) |



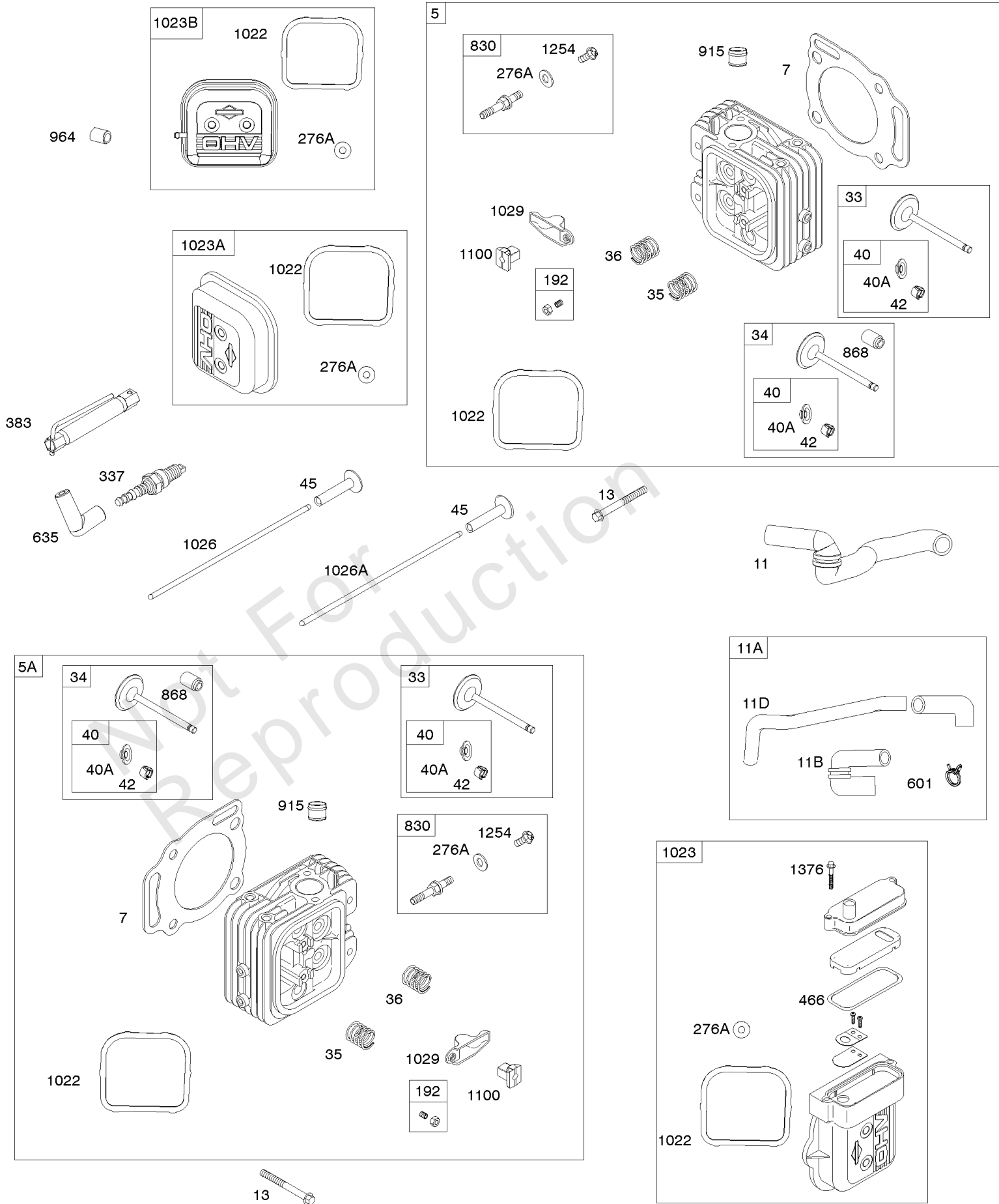
Blower Housings, Air Guides

| REF NO | PART NO | QTY | DESCRIPTION |
|--------|---------|-----|---|
| 215 | 841317 | | COVER, Cylinder Head -(Cylinder 1) |
| 215A | 841316 | | COVER, Cylinder Head -(Cylinder 2) |
| 304 | 844153 | | HOUSING, Blower -(Non Oil Cooler) |
| 304A | 842742 | | HOUSING, Blower -(Oil Cooler) |
| 305 | 692056 | | SCREW -(Blower Housing) (M8x14mm) |
| 305A | 692062 | | SCREW -(Blower Housing) (M8x18mm) |
| 305B | 807163 | | SCREW -(Blower Housing) (M6x10mm) |
| 447 | 692067 | | SCREW -(Air Guide Cover) |
| 506 | 807120 | | SCREW -(Carburetor Cover) |
| 529 | 690744 | | GROMMET -(Magneto Armature Wires) |
| 738 | 690706 | | WASHER -(Air Guide Cover) |
| 865 | 843768 | | COVER, Air Guide -(Valley) |
| 865A | 841319 | | COVER, Air Guide -(Valley Extension) |
| 879 | 807118 | | COVER, Carburetor/EFI |
| 1046 | 692082 | | PLUG, Blower Housing |
| 1120 | 690238 | | NUT -(Air Guide Cover) |
| 1334 | 841233 | | SCREW -(Air Guide) (M6x10mm) |
| 1334A | 692067 | | SCREW -(Air Guide) (M6x12mm) |
| 1426 | 690238 | | NUT -(Air Guide) |



Carburetor/Mixer, Intake Manifold, Fuel Lines

| REF NO | PART NO | QTY | DESCRIPTION |
|--------|----------|-----|--|
| 50 | 692124 | | MANIFOLD, Intake |
| 51 | 692035 | | GASKET, Intake |
| 51A | 806457 | | GASKET, Intake |
| 54 | 846604 | | SCREW -(Intake Manifold) -Used After Code Date 14122300 |
| 54A | 690676 | | SCREW -(Intake Manifold) -Used Before Code Date 14122400 |
| 95 | 690718 | | SCREW -(Throttle Valve) |
| 97 | 808397 | | SHAFT, Throttle |
| 98 | 808177 | | KIT, Idle Speed |
| 122 | 690747 | | SPACER, Carburetor |
| 125 | 808692 | | CARBURETOR |
| 127 | 806460 | | PLUG, Welch |
| 130 | 806132 | | VALVE, Throttle |
| 163 | 692081 | | GASKET, Air Cleaner -(Air Cleaner) |
| 276B | 806998 | | WASHER, Sealing -(LP/NG Fuel Switch) |
| 365 | 690711 | | SCREW -(Carburetor) |
| 415 | 794903 | | PLUG |
| 437 | 691902 | | SCREW -(Exhaust Manifold) |
| 461A | 312079GS | | HOSE, Gaseous Fuel |
| 560 | 808693 | | SWITCH, LP/NG Fuel |
| 601C | 843438 | | CLAMP, Hose -(Gaseous Fuel Hose) |
| 633 | 806131 | | SEAL, Choke/Throttle Shaft -(Throttle Shaft) |
| 654 | 690939 | | NUT -(Carburetor) |
| 1130 | 690869 | | STUD -(Intake Manifold) |



Cylinder Heads, Rocker Covers

| REF NO | PART NO | QTY | DESCRIPTION |
|--------|---------|-----|--|
| 5 | 808698 | | HEAD, Cylinder -(Cylinder 1) |
| 5A | 808699 | | HEAD, Cylinder -(Cylinder 2) |
| 7 | 845884 | | GASKET, Cylinder Head |
| 11 | 844976 | | TUBE, Breather -Used After Code Date 12013100 |
| 11A | 844977 | | TUBE, Breather -Used Before Code Date 12020100 |
| 11B | 841017 | | TUBE, Breather -Used Before Code Date 12020100 |
| 11D | 841019 | | TUBE, Breather -Used Before Code Date 12020100 |
| 13 | 692059 | | SCREW -(Cylinder Head) |
| 33 | 808687 | | VALVE, Exhaust |
| 34 | 807680 | | VALVE, Intake |
| 35 | 692084 | | SPRING, Valve -(Intake) |
| 36 | 692084 | | SPRING, Valve -(Exhaust) |
| 40 | 844895 | | RETAINER, Valve |
| 40A | 692058 | | RETAINER, Valve |
| 42 | 807683 | | KEEPER, Valve |
| 45 | 843379 | | TAPPET, Valve |
| 192 | 807623 | | ADJUSTER, Rocker Arm |
| 276A | 807085 | | WASHER, Sealing -(Rocker Cover) -Used After Code Date 01120200 |
| 337 | 692051 | | PLUG, Spark |
| 383 | 19576S | | WRENCH, Spark Plug |
| 466 | 806466 | | SEAL, O-Ring -(Breather Assembly) |
| 601 | 691145 | | CLAMP, Hose -(Breather Tube) |
| 635 | 692076 | | BOOT, Spark Plug |
| 830 | 809157 | | STUD, Rocker Arm -(Rocker Arm) |
| 868 | 691963 | | SEAL, Valve |
| 915 | 691493 | | LINER, Port |
| 1022 | 806039S | | GASKET, Rocker Cover |
| 1023 | 843750 | | COVER, Rocker |
| 1023A | 691494 | | COVER, Rocker |
| 1026 | 691836 | | ROD, Push -(Intake)(Steel) |
| 1026A | 691758 | | ROD, Push -(Exhaust)(Aluminum) |
| 1029 | 807323 | | ARM, Rocker |
| 1100 | 791959 | | PIVOT, Rocker Arm |
| 1254 | 807084 | | SCREW -(Rocker Arm Stud) |
| 1376 | 806421 | | SCREW -(Breather Reed Cover) |

Cylinder, Piston/Rings/Connecting Rod, Crankshaft

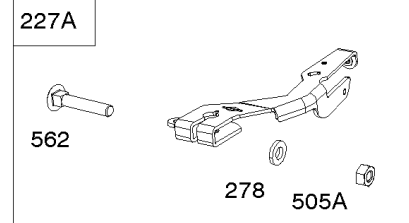
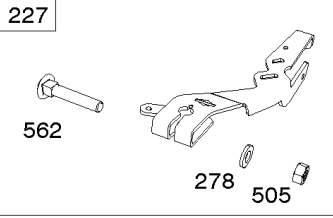
Mfg. No: 359775-0112-E2

1036

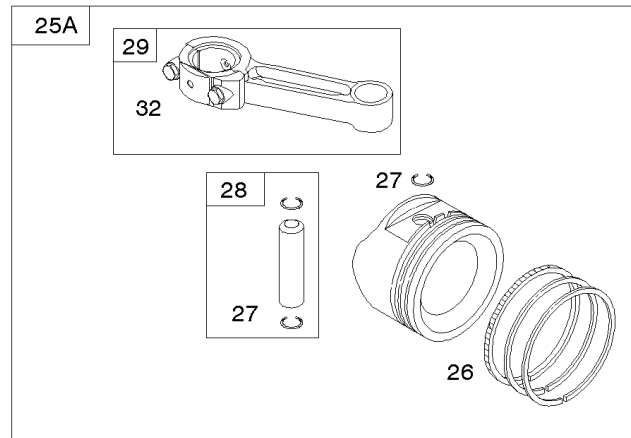
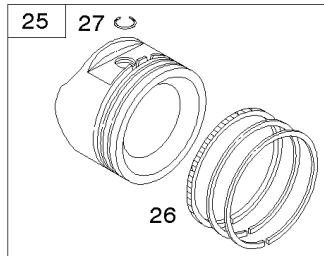
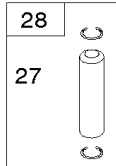
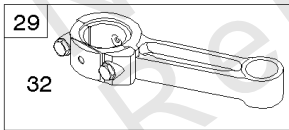
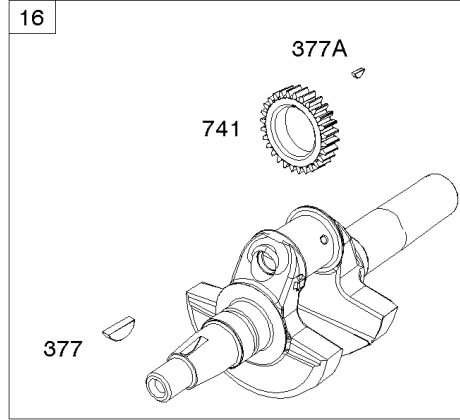
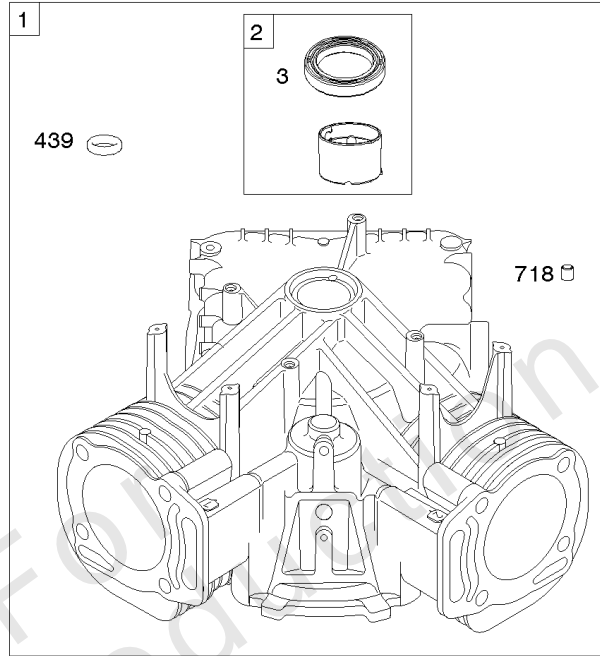
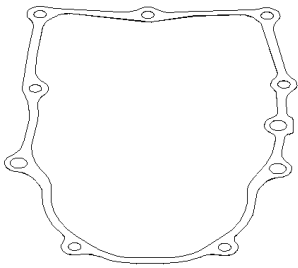
1058

1319

1330

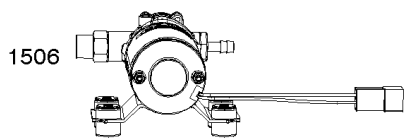
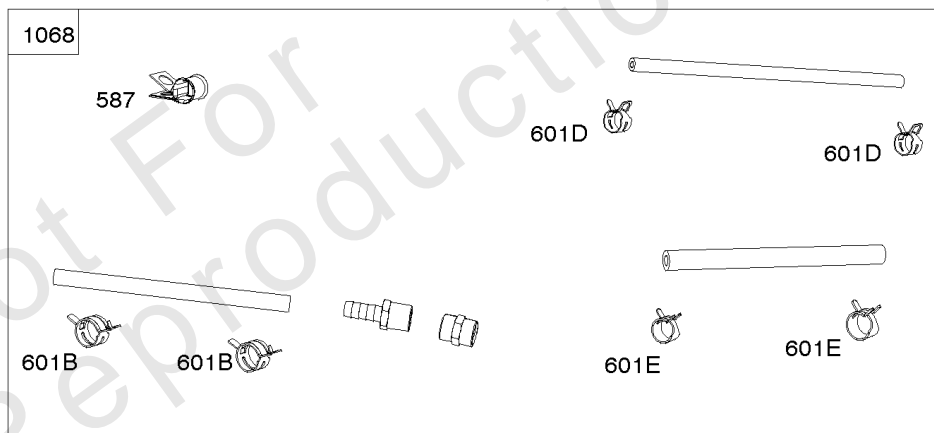
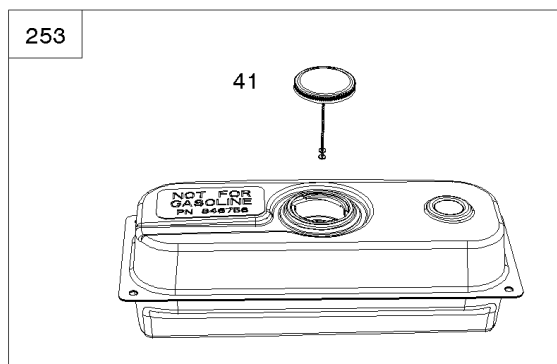


12



Cylinder, Piston/Rings/Connecting Rod, Crankshaft

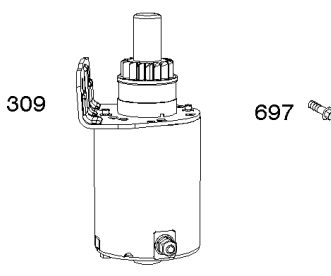
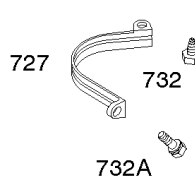
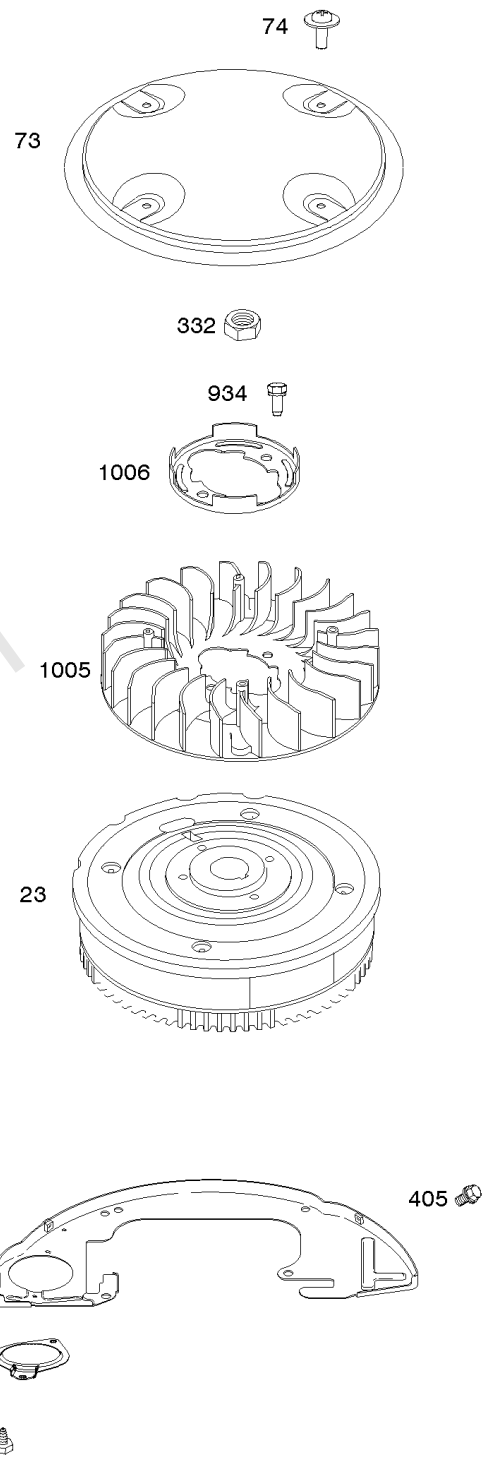
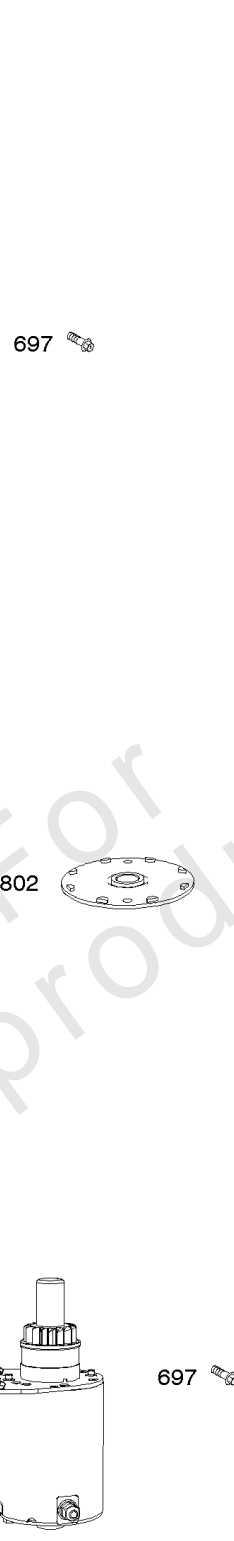
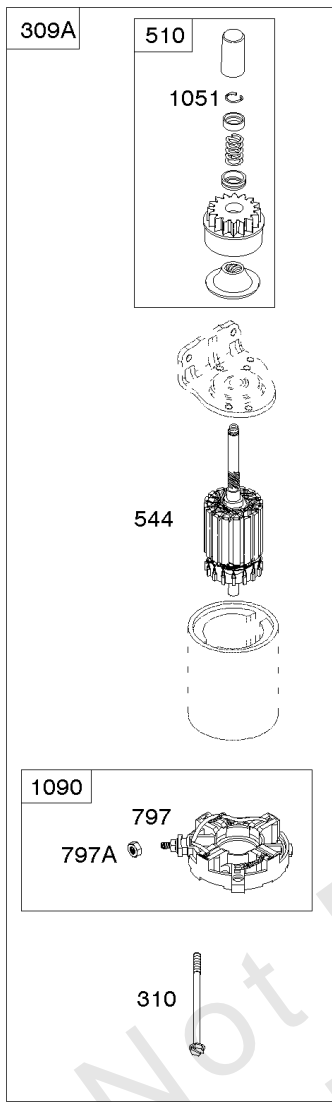
| REF NO | PART NO | QTY | DESCRIPTION |
|--------|---------|-----|--|
| 1 | 845094 | | CYLINDER ASSEMBLY |
| 2 | 808534 | | KIT, Bushing/Seal -(Magneto Side) |
| 3 | 805101S | | SEAL, Oil -(Magneto Side) |
| 12 | 845254 | | GASKET, Crankcase -(Steel Core Gasket) |
| 16 | 843804 | | CRANKSHAFT -Used After Code Date 07062900 |
| 16 | 841934 | | CRANKSHAFT -Used Before Code Date 07063000 |
| 25 | 843792 | | PISTON ASSEMBLY -(Standard) -Used After Code Date 07053100 |
| 25 | 843821 | | PISTON ASSEMBLY -(.020 Oversize) |
| 25A | 844540 | | PISTON ASSEMBLY -(Standard) -Used Before Code Date 07060100 |
| 26 | 843822 | | SET, Ring -(.020 Oversize) |
| 26 | 843793 | | SET, Ring -(Standard) |
| 27 | 690683 | | LOCK, Piston Pin |
| 28 | 807886 | | PIN, Piston -Used Before Code Date 07060100 |
| 28 | 844541 | | PIN, Piston -Used After Code Date 07053100 |
| 29 | 807900S | | ROD, Connecting |
| 32 | 690698 | | SCREW -(Connecting Rod) |
| 227A | 845484 | | LEVER, Governor Control |
| 278 | 842122 | | WASHER -(Governor Control Lever) |
| 377 | 808095 | | KEY, Flywheel |
| 377A | 691639 | | KEY, Timing |
| 439 | 692154 | | O-RING, Oil Gallery -(Crankcase Cover/Sump or Cylinder Assembly) |
| 505 | 690238 | | NUT -(Governor Lever) |
| 505A | 844752 | | NUT -(Governor Control Lever) |
| 562 | 690239 | | BOLT -(Governor Control Lever) |
| 718 | 806469 | | PIN, Locating |
| 741 | 846085 | | GEAR, Timing |
| 1036 | ----- | | Label-Emissions -(Available From A Briggs & Stratton Authorized Dealer) |
| 1319 | 794467 | | LABEL, Warning |
| 1330 | 272144 | | MANUAL, Repair |



Delta Products

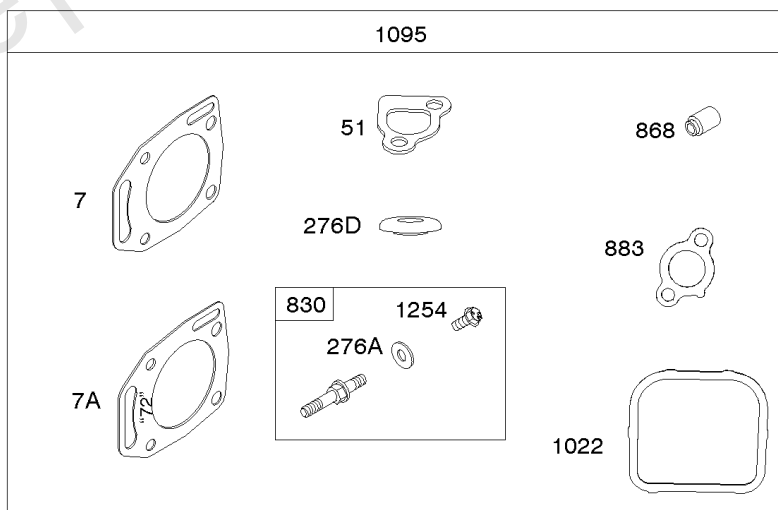
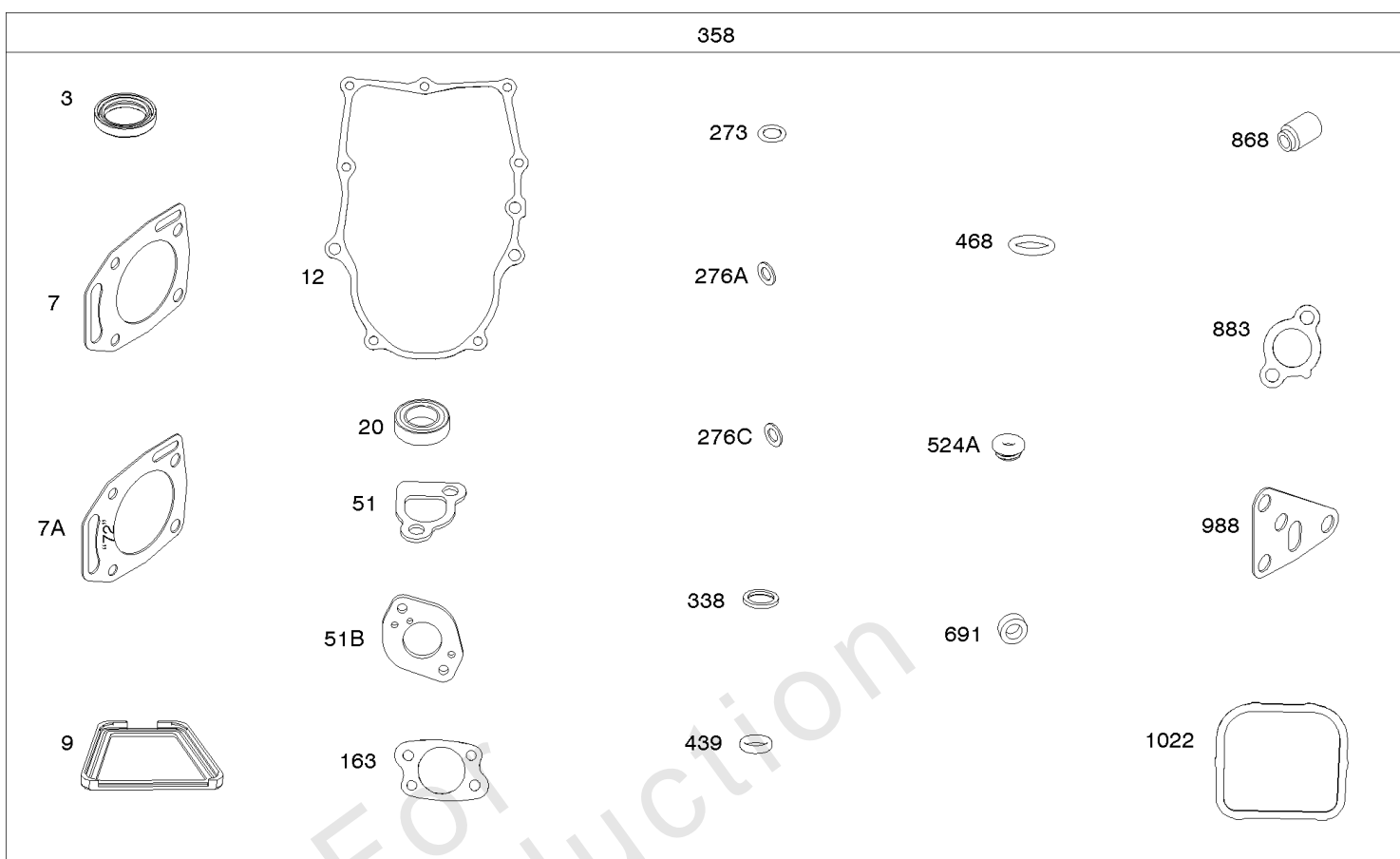
| REF NO | PART NO | QTY | DESCRIPTION |
|--------|---------|-----|-----------------------------------|
| 601B | 841597 | | CLAMP, Hose -(Oil Cooler Hose) |

Not For Reproduction



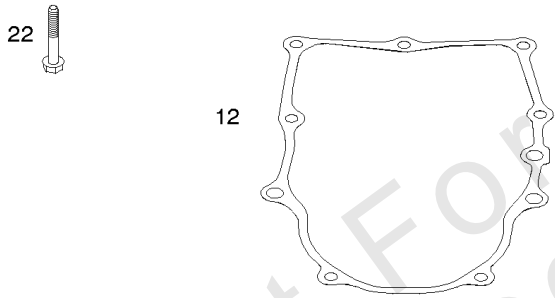
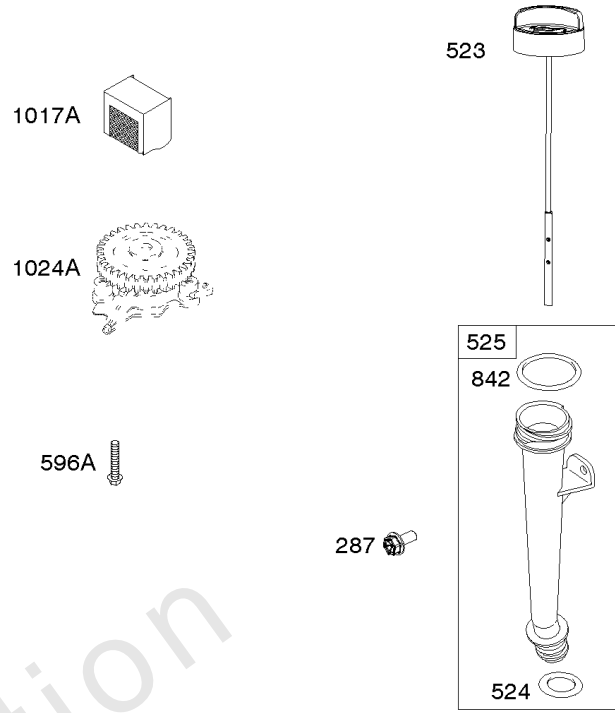
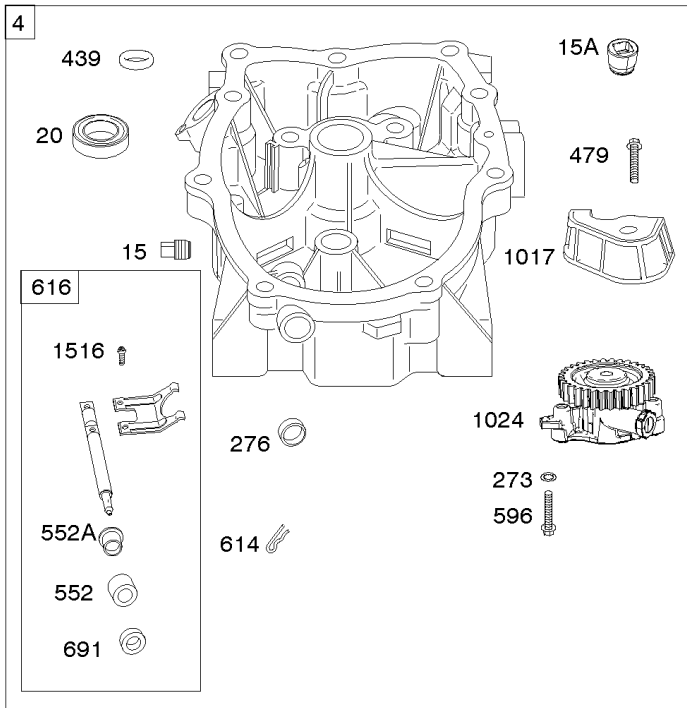
Electric Starters, Flywheel, Rotating Screen

| REF NO | PART NO | QTY | DESCRIPTION |
|--------|---------|-----|--|
| 23 | 842259 | | FLYWHEEL |
| 37 | 841309 | | GUARD, Flywheel |
| 73 | 841440 | | SCREEN, Rotating |
| 74 | 841441 | | SCREW -(Rotating Screen) |
| 78 | 690688 | | SCREW -(Flywheel Guard) |
| 309 | 844717 | | MOTOR, Starter -Used After Code Date 11011400 |
| 309A | 691564 | | MOTOR, Starter -Used Before Code Date 11011500 |
| 310 | 690323 | | BOLT -(Starter Motor) (#10-24x4.4" Long) |
| 332 | 690887 | | NUT -(Flywheel) |
| 363 | 19203 | | PULLER, Flywheel |
| 405 | 807163 | | SCREW -(Back Plate) |
| 510 | 496881 | | DRIVE, Starter -(Steel Pinion Gear) |
| 544 | 693548 | | ARMATURE, Starter -Used Before Code Date 11011500 |
| 573 | 841310 | | PLATE, Back |
| 697 | 691902 | | SCREW -(Starter Motor) (Drive Cap) |
| 727 | 841313 | | COVER, Starter Drive |
| 732 | 690688 | | SCREW -(Starter Drive Cover) (Self Threading) (8mm) |
| 732A | 841233 | | SCREW -(Starter Drive Cover) (M6x10mm) |
| 797 | 693167 | | NUT -(Brush Retainer) (Serrated) |
| 797A | 691029 | | NUT -(Brush Retainer) |
| 802 | 691286 | | CAP, End -Used Before Code Date 11011500 |
| 934 | 691058 | | SCREW -(Fan Retainer) |
| 1005 | 841439 | | FAN, Flywheel |
| 1006 | 690452 | | RETAINER, Fan |
| 1051 | 691124 | | RING, Retaining |
| 1090 | 496813 | | RETAINER, Brush |

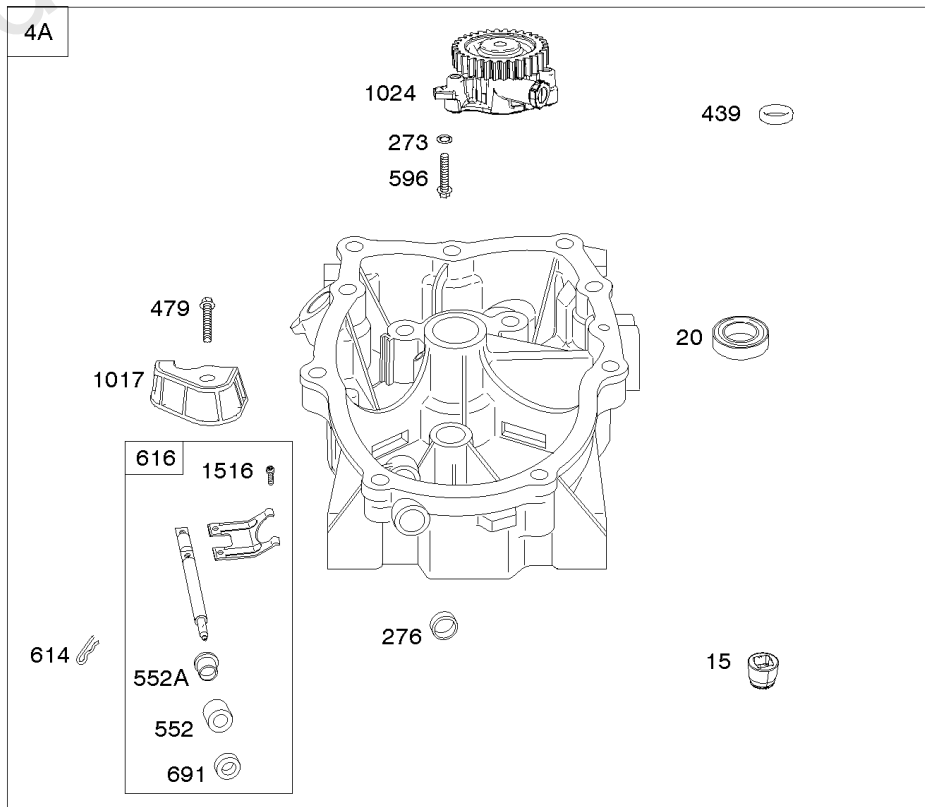
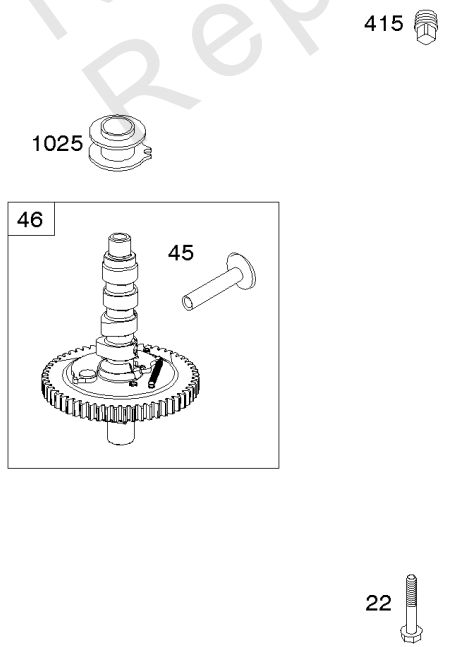


Engine Gasket Set, Valve Gasket Set

| REF NO | PART NO | QTY | DESCRIPTION |
|--------|---------|-----|---|
| 3 | 805101S | | SEAL, Oil -(Magneto Side) |
| 7 | 845884 | | GASKET, Cylinder Head |
| 7A | 805653S | | GASKET, Cylinder Head -72 |
| 9 | 844986 | | GASKET, Breather |
| 12 | 845254 | | GASKET, Crankcase -(Steel Core Gasket) |
| 20 | 805049S | | SEAL, Oil -(PTO Side) |
| 51 | 692035 | | GASKET, Intake |
| 51B | 691694 | | GASKET, Intake |
| 163 | 692081 | | GASKET, Air Cleaner -(Air Cleaner) |
| 273 | 690681 | | SEAL, O-Ring -(Oil Pump) |
| 276A | 807085 | | WASHER, Sealing -(Rocker Cover) -Used After Code Date 01120200 |
| 276C | 806137 | | WASHER, Sealing -(Fuel Solenoid) |
| 276D | 691766 | | WASHER, Sealing -(Rocker Cover) -Used Before Code Date 01120300 |
| 338 | 690611 | | SEAL, O-Ring -(Dipstick Tube) |
| 358 | 841188 | | GASKET SET, Engine |
| 439 | 692154 | | O-RING, Oil Gallery -(Crankcase Cover/Sump or Cylinder Assembly) |
| 468 | 690690 | | SEAL, O-Ring -(Oil Pump Screen) |
| 524A | 693172 | | SEAL, O-Ring -(Dipstick Tube) |
| 691 | 842826 | | SEAL, Governor Shaft |
| 830 | 809157 | | STUD, Rocker Arm -(Rocker Arm) |
| 868 | 691963 | | SEAL, Valve |
| 883 | 691613 | | GASKET, Exhaust |
| 988 | 692063 | | GASKET, Oil Adapter |
| 1022 | 806039S | | GASKET, Rocker Cover |
| 1095 | 841191 | | GASKET SET, Valve |
| 1254 | 807084 | | SCREW -(Rocker Arm Stud) |

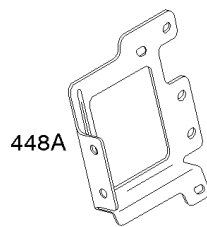
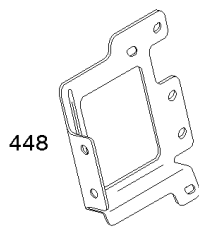
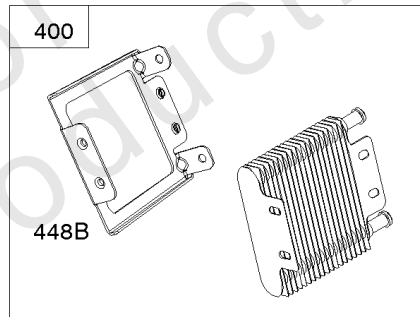
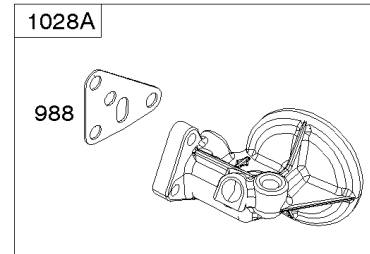
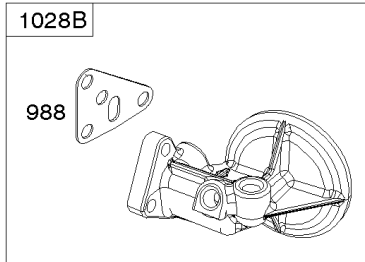
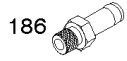
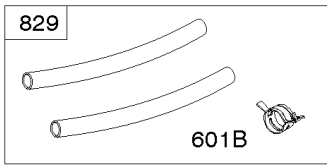


Not For Reproduction



Engine Sumps, Camshaft, Dipstick Tube

| REF NO | PART NO | QTY | DESCRIPTION |
|--------|--------------------|-----|---|
| 4 | 843954 | | SUMP, Engine |
| 12 | 845254 | | GASKET, Crankcase -(Steel Core Gasket) |
| 15 | 690946 | | PLUG, Oil Drain |
| 15A | 691680 | | PLUG, Oil Drain |
| 20 | 805049S | | SEAL, Oil -(PTO Side) |
| 22 | 807362 | | SCREW -(Crankcase Cover/Sump) |
| 45 | 843379 | | TAPPET, Valve |
| 46 | 845649 | | CAMSHAFT |
| 273 | 690681 | | SEAL, O-Ring -(Oil Pump) |
| 276 | 690704 | | WASHER -(Governor Shaft) |
| 287 | 807084 | | SCREW -(Dipstick Tube) |
| 415 | 794903 | | PLUG |
| 439 | 692154 | | O-RING, Oil Gallery -(Crankcase Cover/Sump or Cylinder Assembly) |
| 479 | 843961 | | SCREW -(Oil Pump Screen) |
| 523 | 692101 | | DIPSTICK |
| 524 | 692053 | | SEAL, O-Ring -(Dipstick Tube) |
| 525 | 692093 | | TUBE, Dipstick |
| 552 | 690701 | | BUSHING, Governor Crank |
| 552A | 806686 | | BUSHING, Governor Crank |
| 596 | 807389 | | SCREW -(Oil Pump) (M6x45mm) -Used After Code Date 08022600 |
| 596A | 691492 | | SCREW -(Oil Pump) (M6x30mm) -Used Before Code Date 08022700 |
| 614 | 691550 | | PIN, Cotter |
| 616 | 806685 | | CRANK, Governor |
| 691 | 842826 | | SEAL, Governor Shaft |
| 842 | 691870 | | SEAL, O-Ring -(Dipstick Tube) |
| 1017 | 843960 | | SCREEN, Oil Pump -Used After Code Date 08022600 |
| 1017A | 690878 | | SCREEN, Oil Pump -Used Before Code Date 08022700 |
| 1024A | NO LONGER AVAILABL | | PUMP, Oil -(Order Reference #4) -Used Before Code Date 08022700 |
| 1025 | 690689 | | SPOOL, Governor |
| 1516 | 846459 | | SCREW -(Governor Crank) |



Oil Cooler, Oil Filter Adapters, Oil Filters

| REF NO | PART NO | QTY | DESCRIPTION |
|--------|---------|-----|--|
| 186 | 693184 | | CONNECTOR, Hose |
| 239 | 841281 | | SWITCH, Oil Pressure |
| 400 | 846489 | | COOLER, Oil |
| 415 | 794903 | | PLUG |
| 417 | 843345 | | SCREW -(Oil Cooler) (M6x8mm) |
| 417A | 841233 | | SCREW -(Oil Cooler) (M6x10mm) |
| 448 | 841488 | | BRACKET, Oil Cooler -Used After Code Date 07102300 |
| 448A | 806423 | | BRACKET, Oil Cooler -Used Before Code Date 07102400 |
| 448B | 842223 | | BRACKET, Oil Cooler |
| 460 | 806667 | | CONNECTOR, Filter Adapter |
| 565 | 690682 | | STUD -(Oil Filter Adapter) |
| 601A | 791850 | | CLAMP, Hose -(Green) |
| 601B | 841597 | | CLAMP, Hose -(Oil Cooler Hose) |
| 737 | 690679 | | SCREW -(Oil Filter Adapter) |
| 816 | 690706 | | WASHER -(Oil Filter Adapter) |
| 829 | 841999 | | HOSE/CLAMP ASSEMBLY |
| 988 | 692063 | | GASKET, Oil Adapter |
| 1027 | 842921 | | FILTER, Oil |
| 1028B | 843898 | | ADAPTER, Oil Filter |
| 1155 | 806647 | | WASHER -(Oil Cooler) -Used Before Code Date 13090100 |

Replacement Engine - US & Canada

| REF NO | PART NO | QTY | DESCRIPTION |
|--------|--------------|-----|---------------------------------------|
| | 3597750112E2 | 1 | Replacement Engine |
| | ----- | | Top No-Load Speed: 3750 -Trim: ALL |

Not For Reproduction

