



Parts Manual

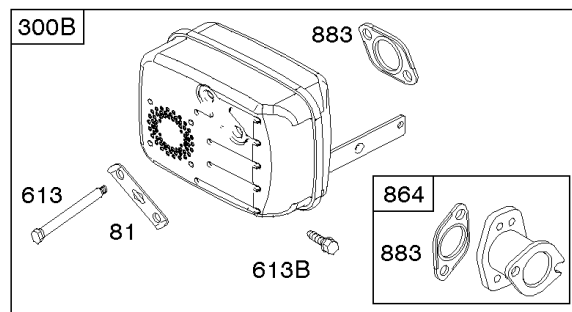
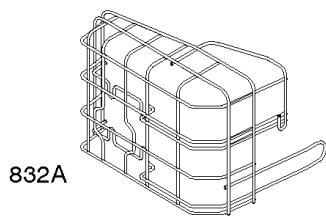
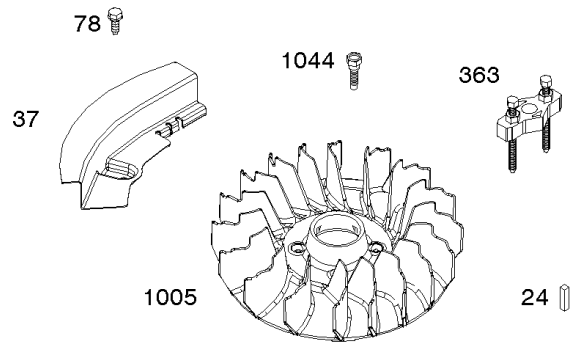
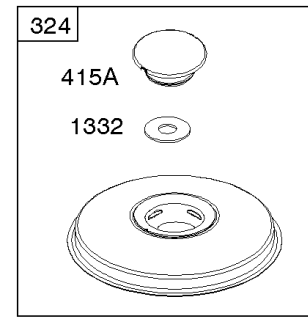
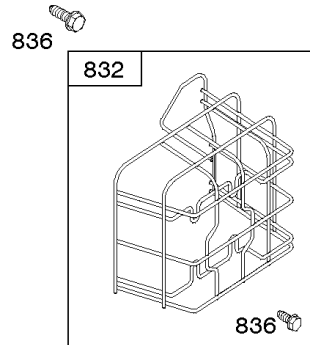
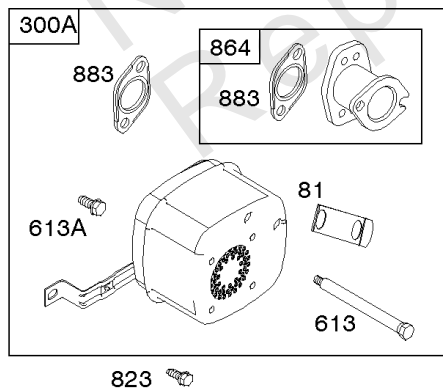
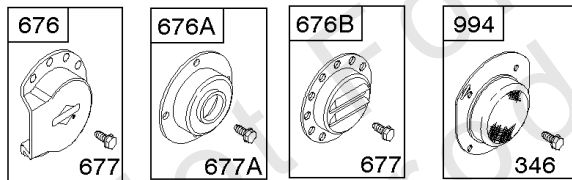
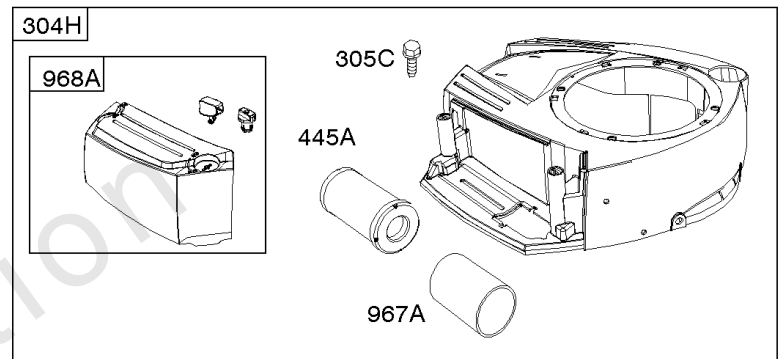
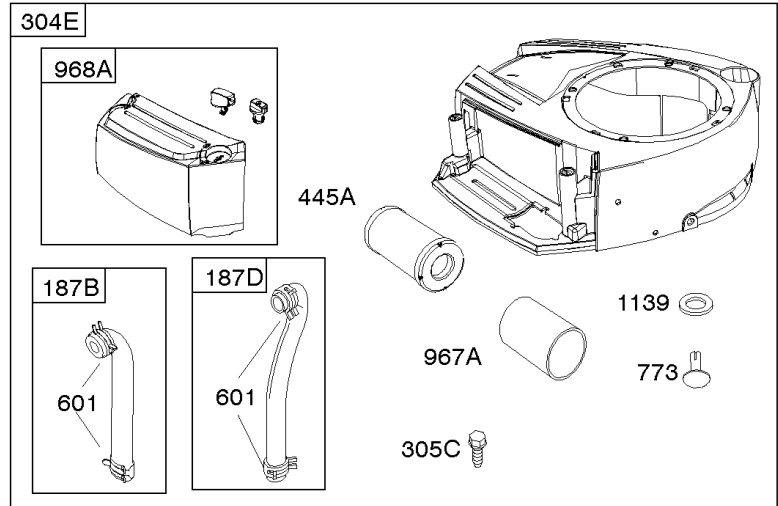
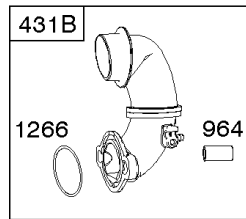
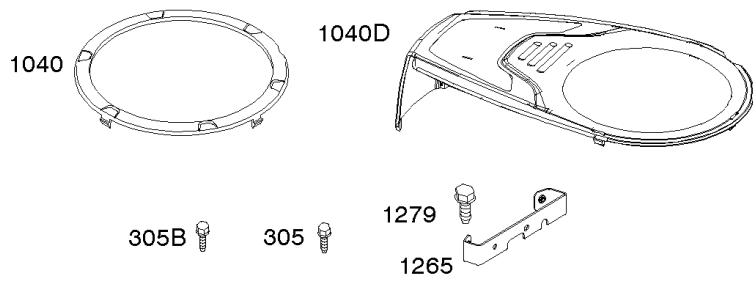
Mfg. No: 31S977-0006-G1

Model Components	Page
AIR CLEANER, BLOWER HOUSING, EXHAUST SYSTEM, FLYWHEEL.....	4
CAMSHAFT, CRANKSHAFT & COUNTER BALANCE, CYLINDER, ENGINE SUMP & BREATHER, CARBURETOR, FUEL SUPPLY, KIT - CARBURETOR OVERHAUL.....	8 14
CONTROLS, ALTERNATOR, WIRE ASSY, ELECTRIC STARTER, GOVERNOR SPRING, IGNITION, Ready	20
CYLINDER HEAD, INTAKE MANIFOLD, OIL FILL, VALVES.....	24
Replacement Engine - US & Canada.....	28

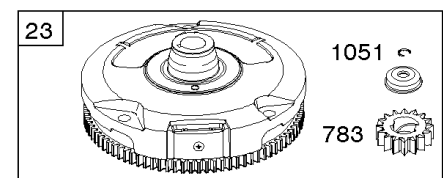
Not For
Reproduction

AIR CLEANER, BLOWER HOUSING, EXHAUST SYSTEM, FLYWHEEL

Mfg. No: 31S977-0006-G1



823

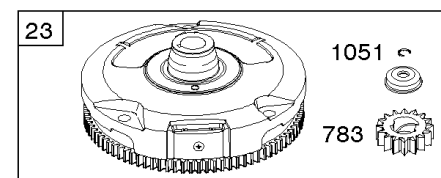
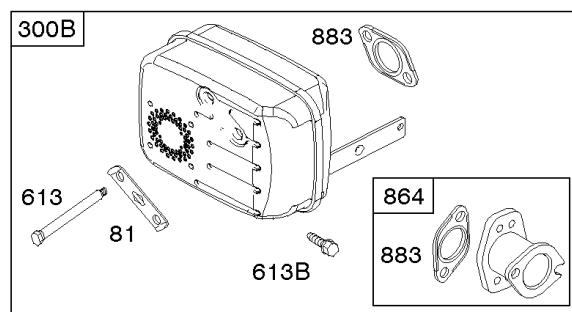
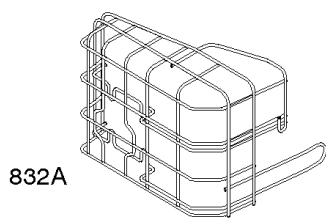
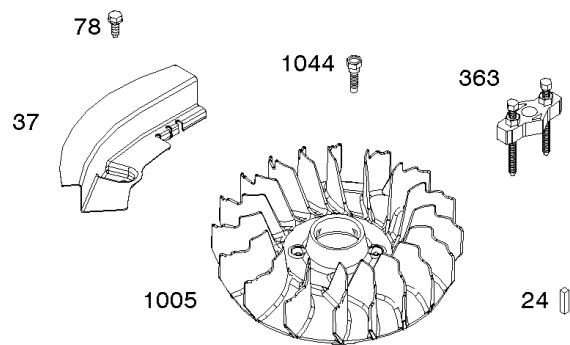
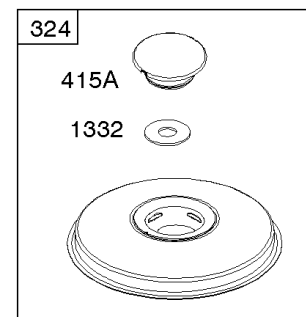
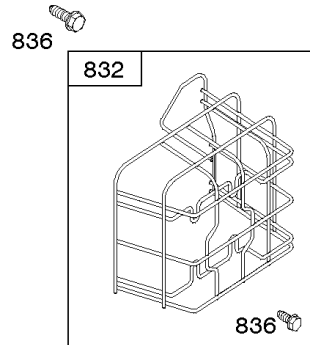
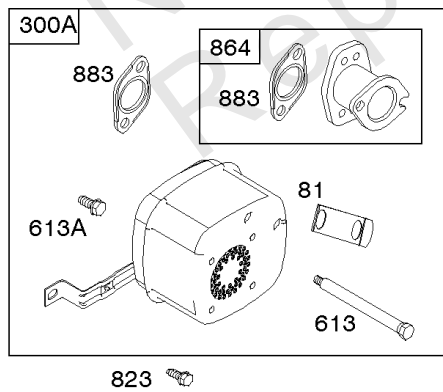
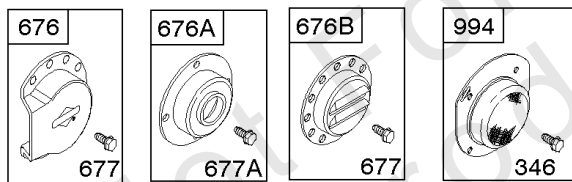
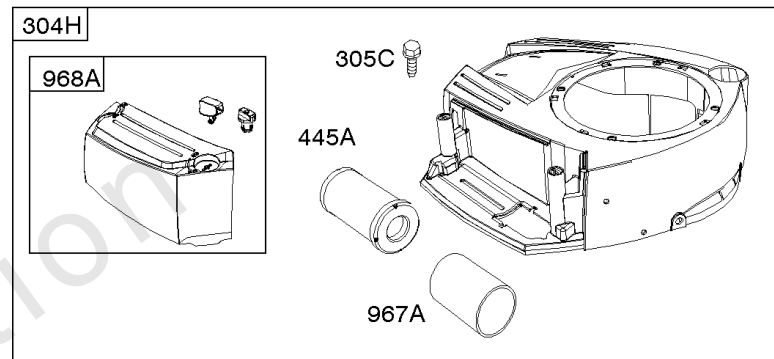
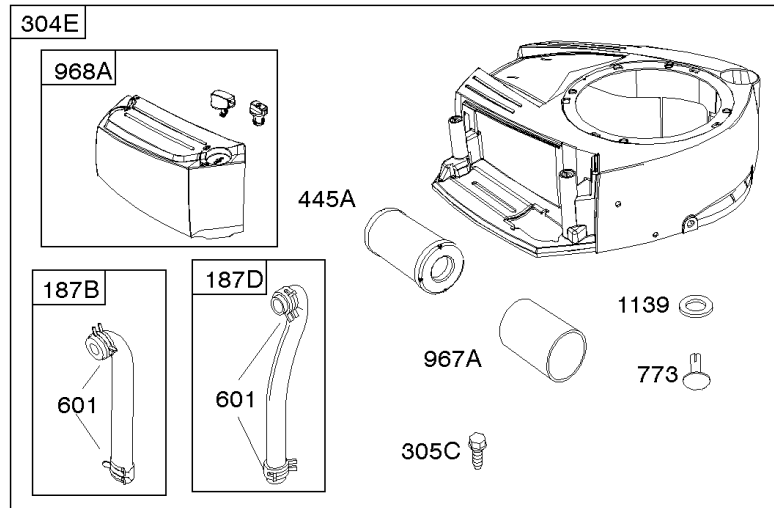
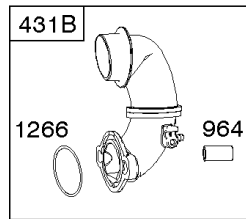
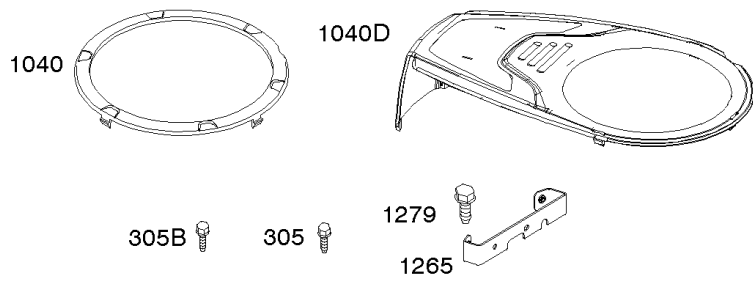


AIR CLEANER, BLOWER HOUSING, EXHAUST SYSTEM, FLYWHEEL

REF NO	PART NO	QTY	DESCRIPTION
23	591760		FLYWHEEL
24	591757		KEY, Flywheel
37	699882		GUARD, Flywheel
78	691693		SCREW -(Flywheel Guard)
81	691178		LOCK, Muffler Screw
187B	791805		LINE, Fuel -(Formed)(Cut To Required Length)
187D	791744		LINE, Fuel -(Formed)(Cut To Required Length)
300A	795998		MUFFLER
300B	795997		MUFFLER
304E	592814		HOUSING, Blower -(Black-Compatible With Canister Style Filter)
304H	592813		HOUSING, Blower -(Grey-Compatible With Canister Style Filter)
305	697102		SCREW -(Blower Housing) (Blower Housing)(Shoulder Bolt)
305B	795891		SCREW -(Blower Housing)
305C	799370		SCREW -(Blower Housing) (Blower Housing)(Shoulder Bolt)
324	796309		SCREEN/CUP ASSEMBLY
346	794845		SCREW -(Spark Arrestor)
363	19203		PULLER, Flywheel -(71.5mm (2.81in.))
415A	794129		PLUG
431B	799043		MANIFOLD, Intake
445A	793569		FILTER, A/C Cartridge -(Canister)
601	791850		CLAMP, Hose
613	691416		SCREW -(Muffler)
613A	691678		SCREW -(Muffler) (5/16"-18 x 0.62)
613B	690297		SCREW -(Muffler) (1/4-20 x 0.62)
676	795036		DEFLECTOR, Muffler
676A	396903		DEFLECTOR, Muffler
676B	795038		DEFLECTOR, Muffler
677	794845		SCREW -(Muffler Deflector)
677A	690661		SCREW -(Muffler Deflector)
773	796448		RETAINER
783	593935		GEAR, Pinion
823	698941		SCREW -(Muffler Adapter)
832	790293		GUARD, Muffler
832A	595029		GUARD, Muffler
836	690367		SCREW -(Muffler Guard)
864	796002		ADAPTER, Muffler -(2 1/4" Long)
883	692236		GASKET, Exhaust
964	799159		CAP, Connector

AIR CLEANER, BLOWER HOUSING, EXHAUST SYSTEM, FLYWHEEL

Mfg. No: 31S977-0006-G1



AIR CLEANER, BLOWER HOUSING, EXHAUST SYSTEM, FLYWHEEL

REF NO	PART NO	QTY	DESCRIPTION
967A	793685		FILTER, Pre Cleaner
968A	591649		COVER, Air Cleaner -(Grey-Compatible With Canister Style Filter)
968A	591648		COVER, Air Cleaner -(Black-Compatible With Canister Style Filter)
994	794945		ARRESTOR, Spark
1005	796084		FAN, Flywheel
1040	698368		PLATE, Trim
1040D	798568		PLATE, Trim
1044	698139		SCREW -(Flywheel)
1051	691265		RING, Retaining
1139	796449		WASHER -(Fuel Pump Bracket)
1265	794151		SUPPORT, Blower Housing
1266	691917		SEAL, O-Ring -(Intake Elbow)
1279	691108		SCREW -(Blower Housing Support)
1332	591991		WASHER -(Rotating Screen)

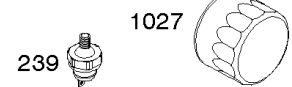
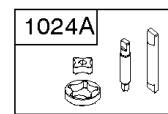
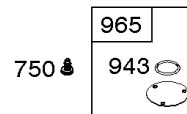
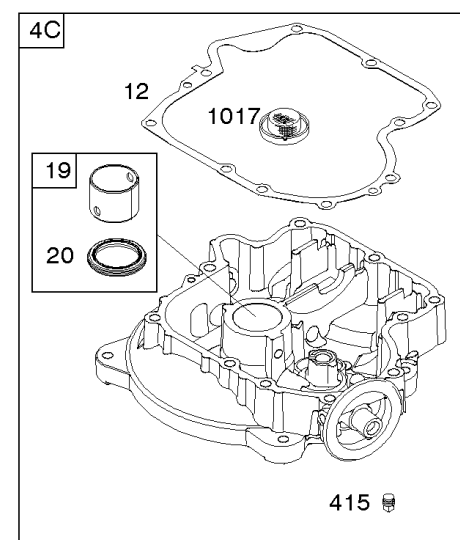
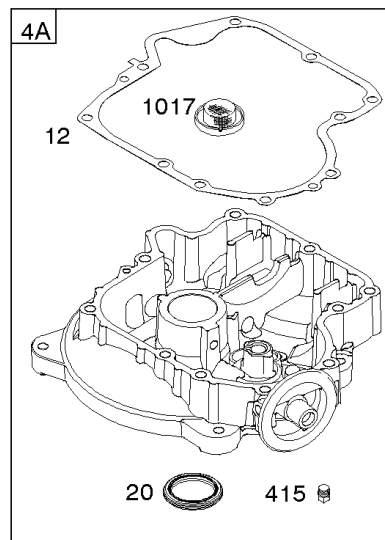
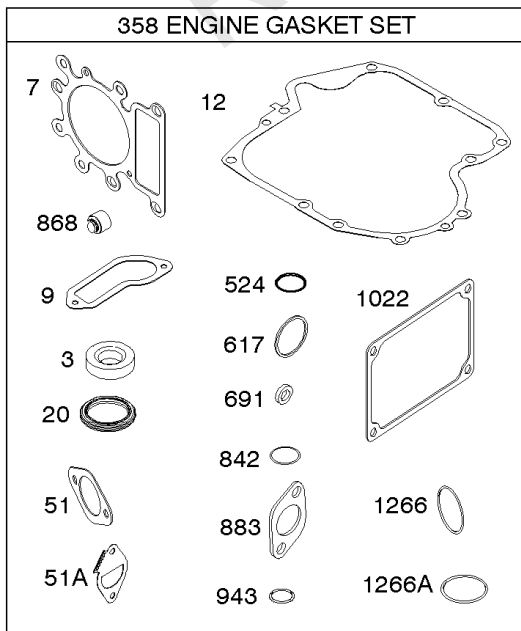
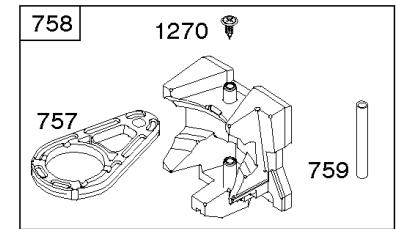
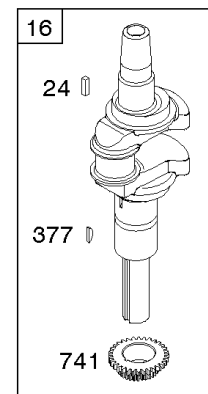
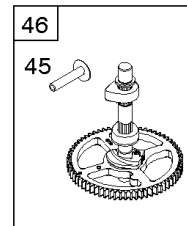
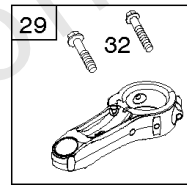
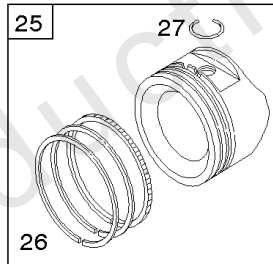
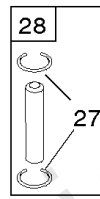
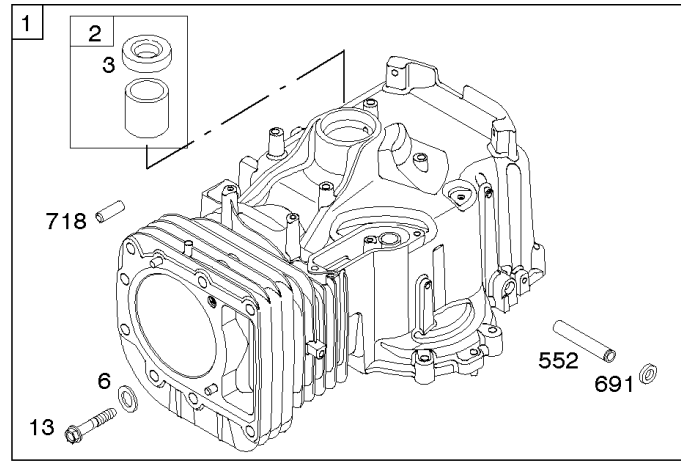
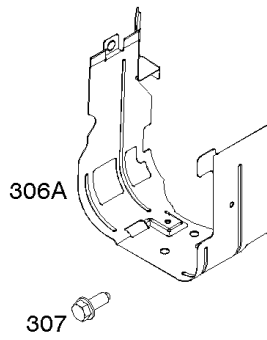
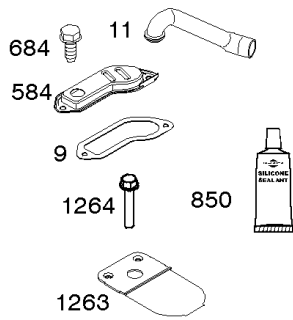
Not For Production

CAMSHAFT, CRANKSHAFT & COUNTER BALANCE, CYLINDER, ENGINE SUMP &

Mfg. No: 31S977-0006-G1

1036 EMISSIONS LABEL

1319 WARNING LABEL



CAMSHAFT, CRANKSHAFT & COUNTER BALANCE, CYLINDER, ENGINE SUMP &

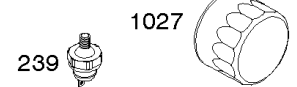
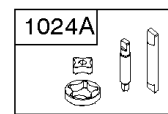
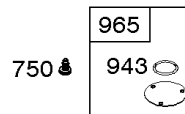
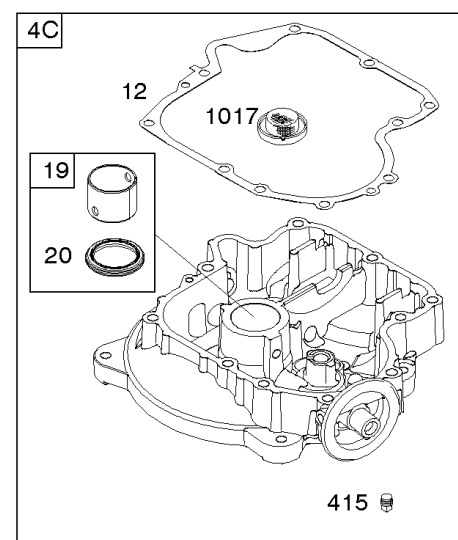
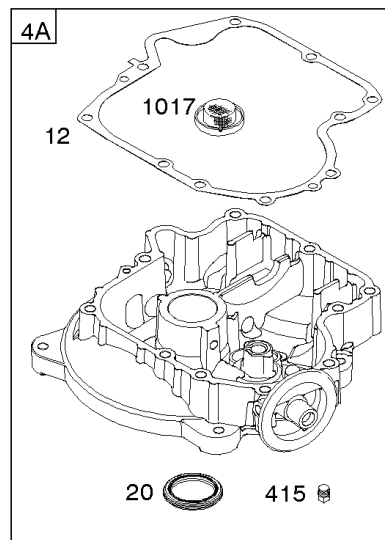
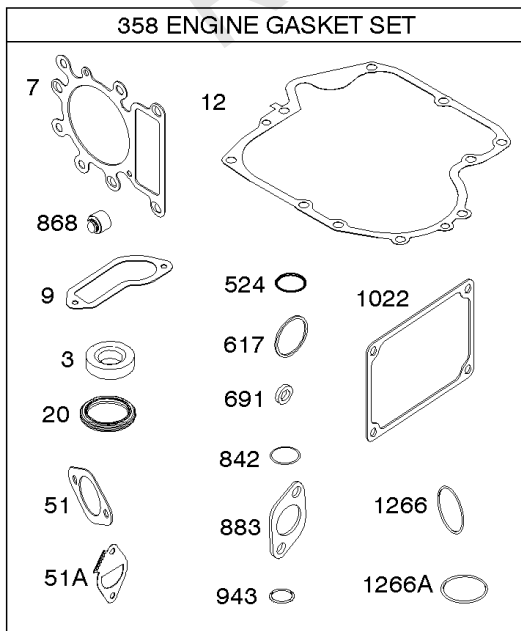
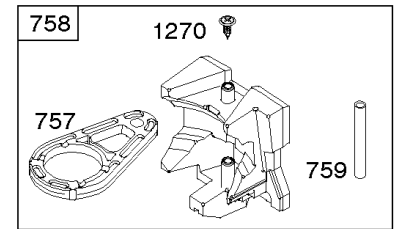
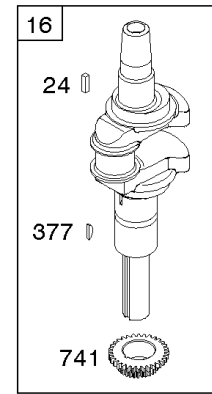
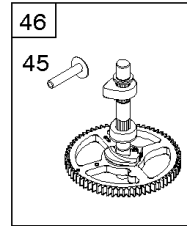
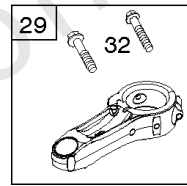
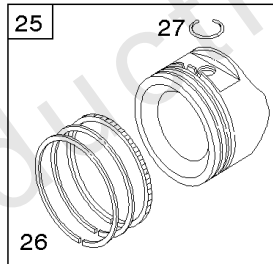
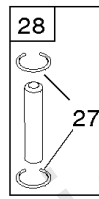
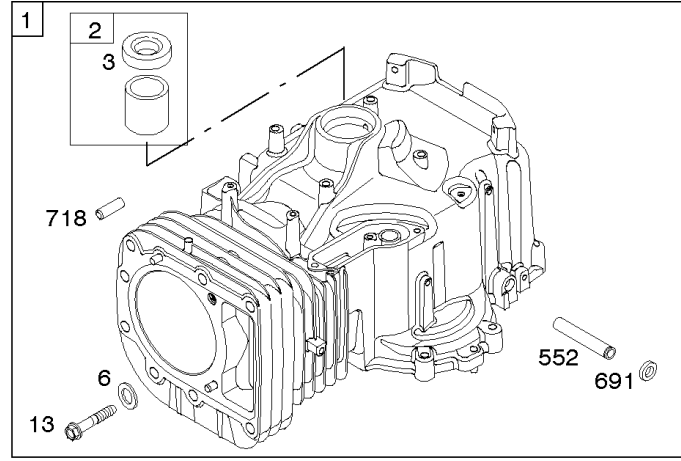
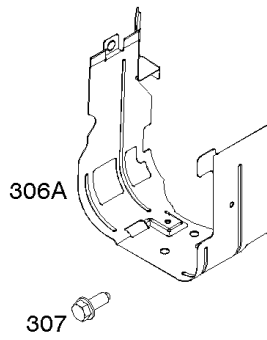
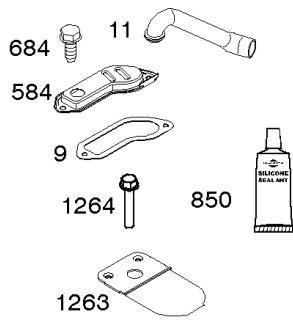
REF NO	PART NO	QTY	DESCRIPTION
1	796010		CYLINDER ASSEMBLY
2	797673		KIT, Bushing/Seal -(Magneto Side)
3	391086S		SEAL, Oil -(Magneto Side)
4A	592849		SUMP, Engine
6	690310		WASHER -(Cylinder Head)
7	796584		GASKET, Cylinder Head
9	697109		GASKET, Breather -(Use Liquid Sealant Reference 850)
11	794683		TUBE, Breather
12	697110		GASKET, Crankcase
13	592244		SCREW -(Cylinder Head) (5/16-18 x 2.69)
15	691680		PLUG, Oil Drain -(Square Socket)
15	690946		PLUG, Oil Drain -(Square Head)
16	591763		CRANKSHAFT
19	591010		KIT, Bushing/Seal -(PTO Side)
20	795387		SEAL, Oil -(PTO Side)
22	692125		SCREW -(Crankcase Cover/Sump)
24	591757		KEY, Flywheel
25	796173		PISTON ASSEMBLY -(.020 Oversize)(Use with 1.97 Long Piston Pin) -Used Before Code Date 14100600
25	796172		PISTON ASSEMBLY -(Use with 1.97 Long Piston Pin) -Used Before Code Date 14100600
25	594435		PISTON ASSEMBLY -(Use with 1.97" Long Piston Pin) -Used After Code Date 14100500
25	594436		PISTON ASSEMBLY -(.020" Oversize)(Use with 1.97" Long Piston Pin) -Used After Code Date 14100500
26	792649		SET, Ring -(.020 Oversize)(Use with 1.97 Long Piston Pin) -Used Before Code Date 14100600
26	594438		SET, Ring -(.020 Oversize)(Use with 1.97 Long Piston Pin) -Used After Code Date 14100500
26	594437		SET, Ring -(Use with 1.97 Long Piston Pin)
27	698469		LOCK, Piston Pin
28	796007		PIN, Piston -(1.97) -Used Before Code Date 14100600
28	594439		PIN, Piston -(1.62" Long) -Used After Code Date 14100500
29	794571		ROD, Connecting
32	791118		SCREW -(Connecting Rod)
43	691968		SLINGER, Governor/Oil
45	690564		TAPPET, Valve

CAMSHAFT, CRANKSHAFT & COUNTER BALANCE, CYLINDER, ENGINE SUMP &

Mfg. No: 31S977-0006-G1

1036 EMISSIONS LABEL

1319 WARNING LABEL



CAMSHAFT,CRANKSHAFT & COUNTER BALANCE, CYLINDER, ENGINE SUMP &

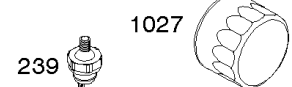
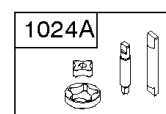
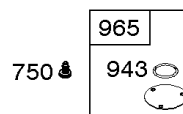
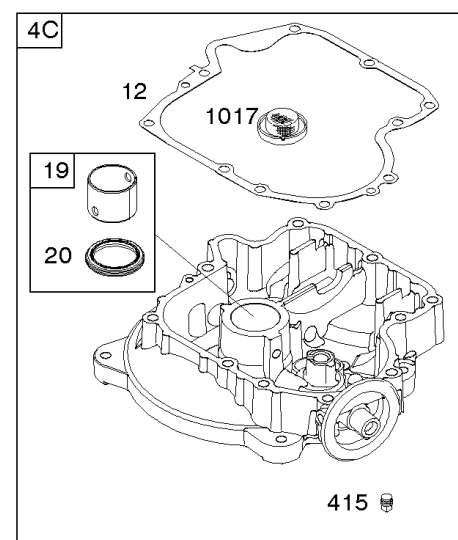
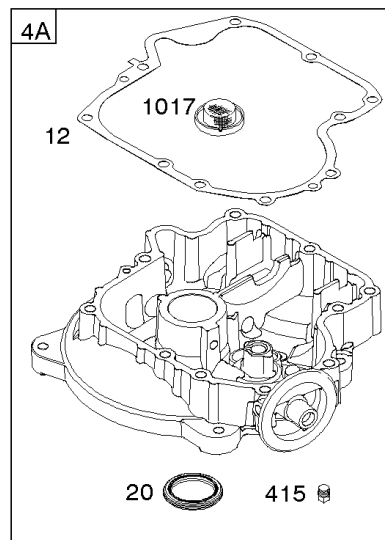
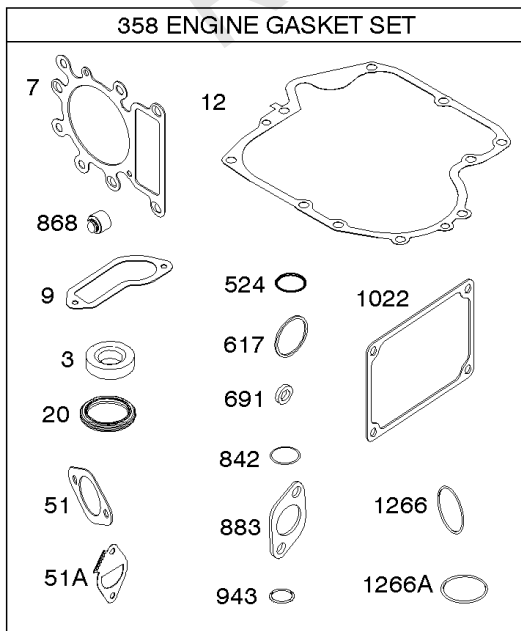
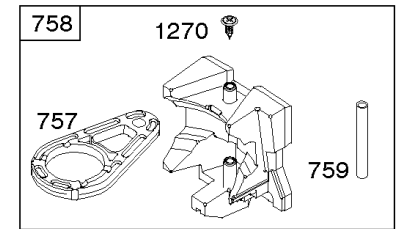
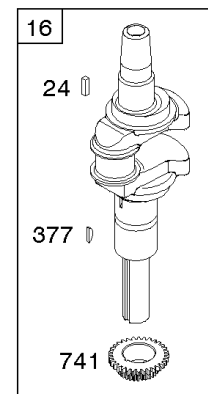
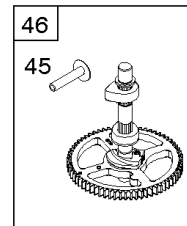
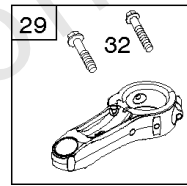
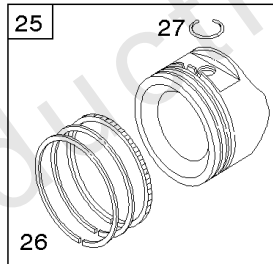
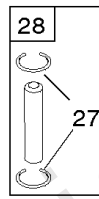
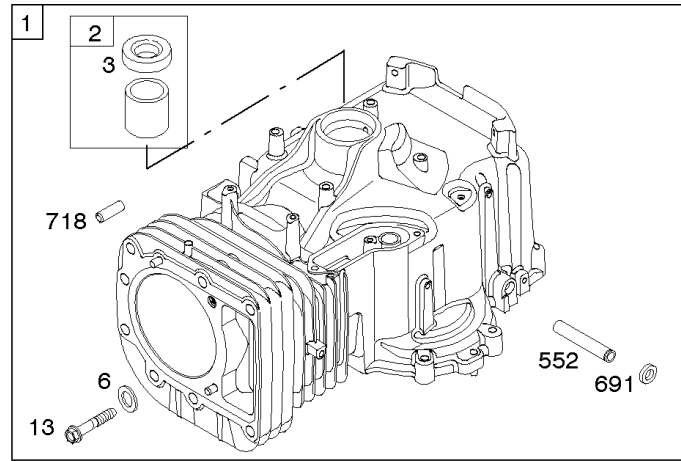
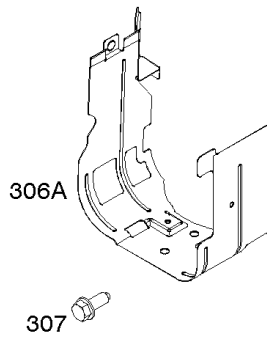
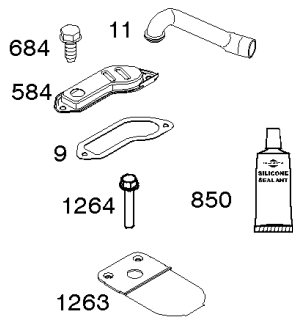
REF NO	PART NO	QTY	DESCRIPTION
46	793880		CAMSHAFT
51	692137		GASKET, Intake
51A	796081		GASKET, Intake
239	491657S		SWITCH, Oil Pressure
306A	794953		SHIELD, Cylinder
307	691693		SCREW -(Cylinder Shield)
358	796187		GASKET SET, Engine
377	691639		KEY, Timing
415	794903		PLUG -(Engine Sump)
524	691032		SEAL, O-Ring
552	697144		BUSHING, Governor Crank
584	794682		COVER, Breather Passage -(Use with Liquid Sealant Reference 850)
617	692138		SEAL, O-Ring -(Intake Manifold)
684	697157		SCREW -(Breather Passage Cover)
691	692407		SEAL, Governor Shaft
718	690959		PIN, Locating
741	697128		GEAR, Timing
750	790832		SCREW -(Oil Pump Cover)
757	793242		LINK, Counterweight
758	793763		COUNTERWEIGHT -Used Before Code Date 14100600
758	594443		COUNTERWEIGHT -Used After Code Date 14100500
759	697392		PIN, Counterweight
842	691031		SEAL, O-Ring -(Dipstick Tube) (Special Dipstick Tube)
850	100106		SEALANT, Liquid -(Rocker Cover Gasket and Breather Gasket)
868	690968		SEAL, Valve
883	692236		GASKET, Exhaust
943	690589		SEAL, O-Ring -(Oil Pump Cover)
965	499613		COVER, Oil Pump
1017	796981		SCREEN, Oil Pump -(Push In)
1022	272475S		GASKET, Rocker Cover -(Use Liquid Sealant Reference 850)
1024A	794644		SHAFT, Pump
1027	798576		FILTER, Oil -(Premium Black)
1027	696854		FILTER, Oil -(Premium)(Yellow)
1036	-----		Label-Emissions -(Available From A Briggs & Stratton Authorized Dealer)
1263	697124		REED, Breather
1264	697104		SCREW -(Breather Reed)
1266	691917		SEAL, O-Ring -(Intake Elbow)
1266A	697123		SEAL, O-Ring -(Intake Elbow)

CAMSHAFT, CRANKSHAFT & COUNTER BALANCE, CYLINDER, ENGINE SUMP &

Mfg. No: 31S977-0006-G1

1036 EMISSIONS LABEL

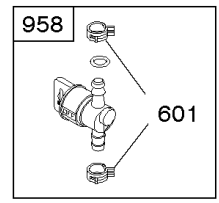
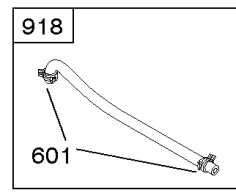
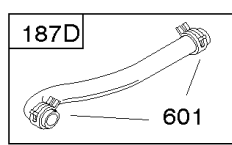
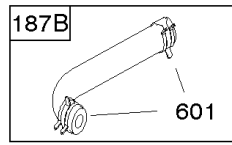
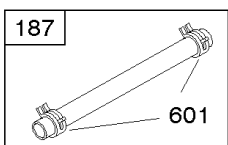
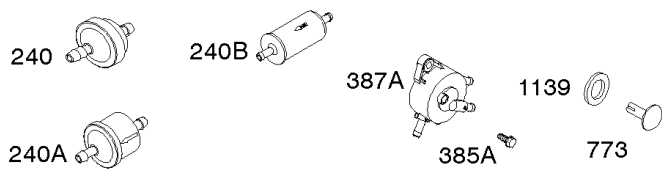
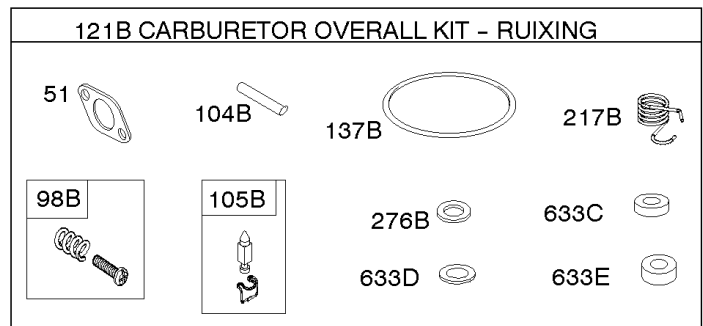
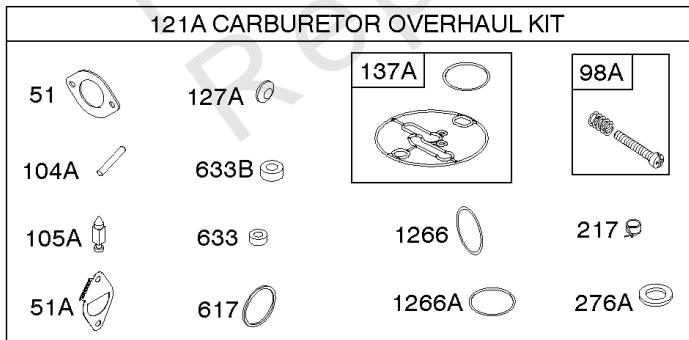
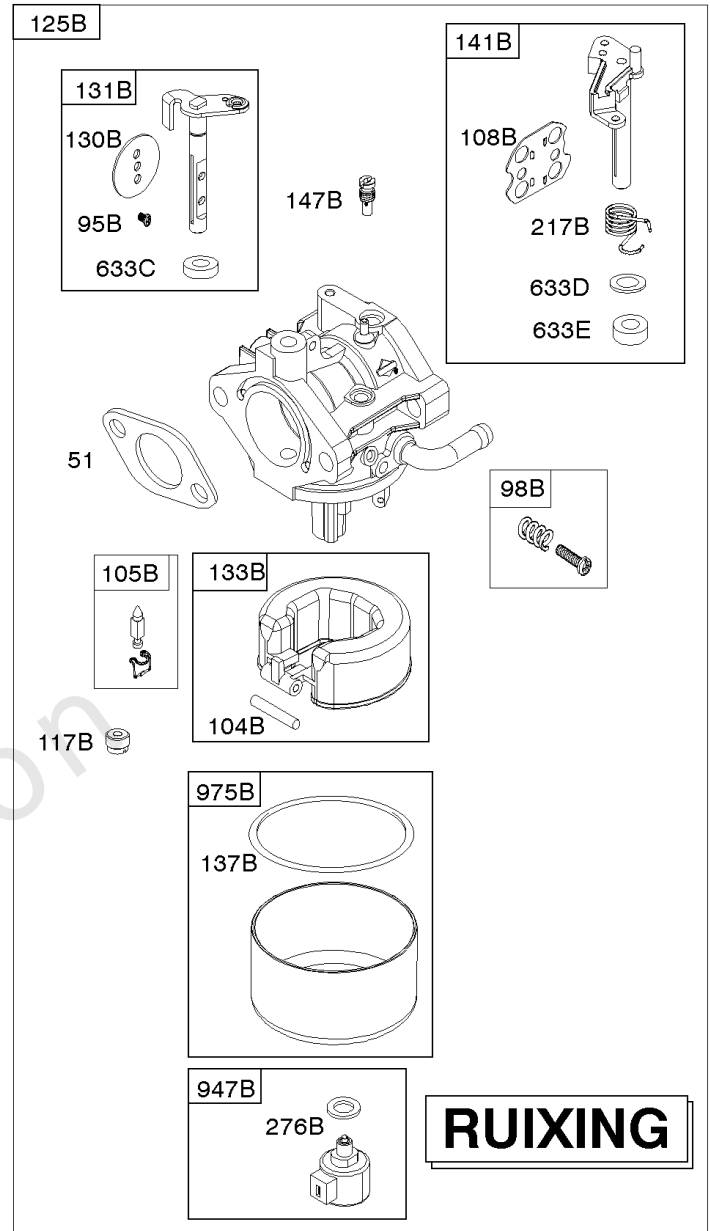
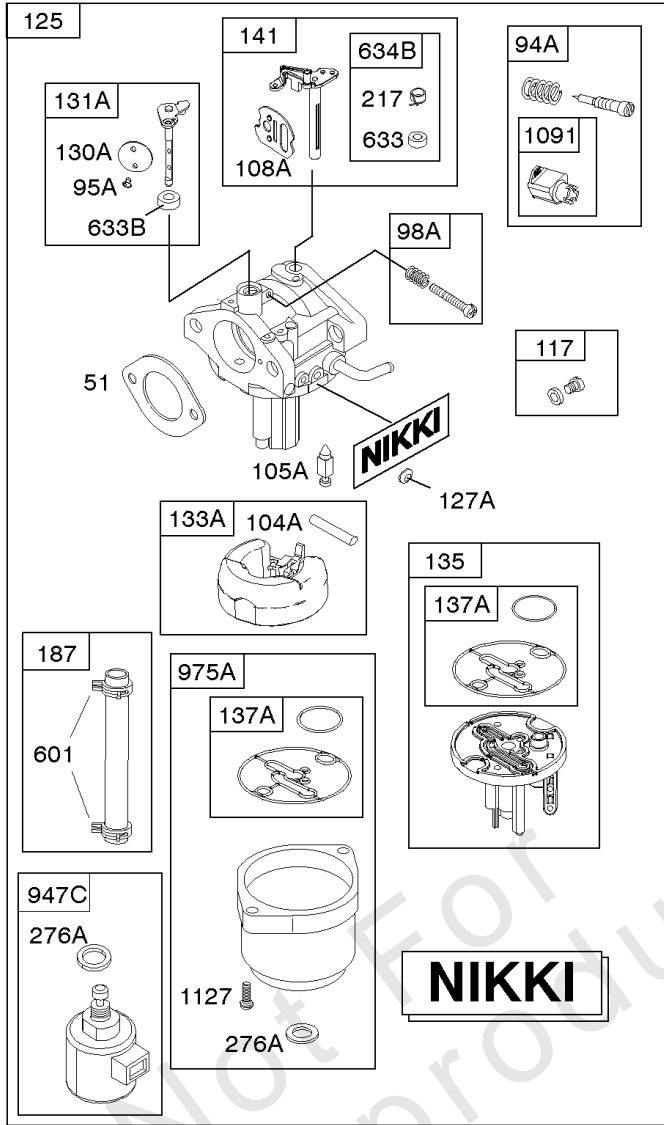
1319 WARNING LABEL



CAMSHAFT, CRANKSHAFT & COUNTER BALANCE, CYLINDER, ENGINE SUMP &

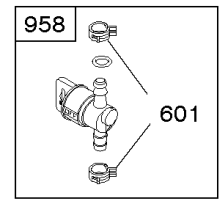
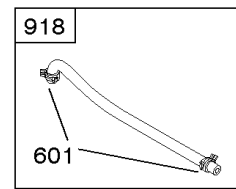
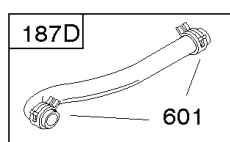
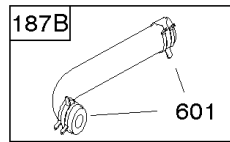
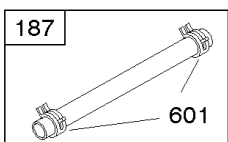
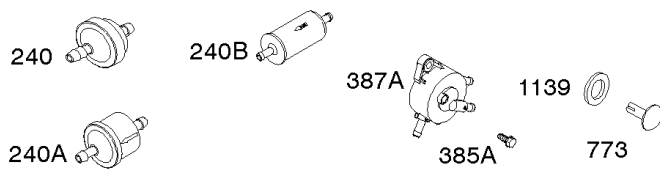
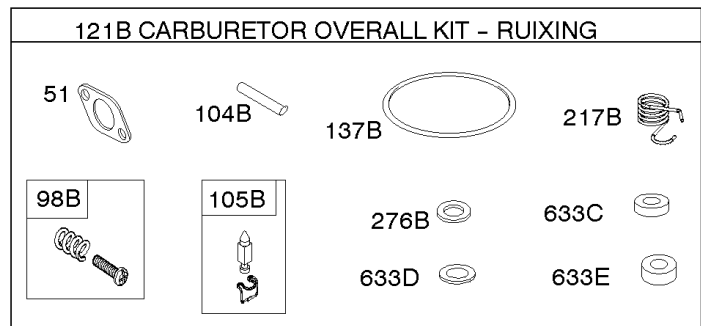
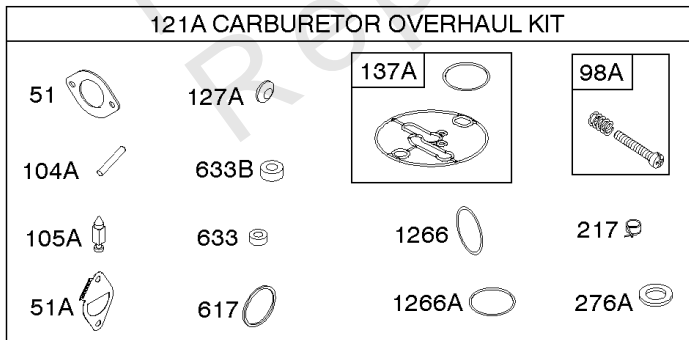
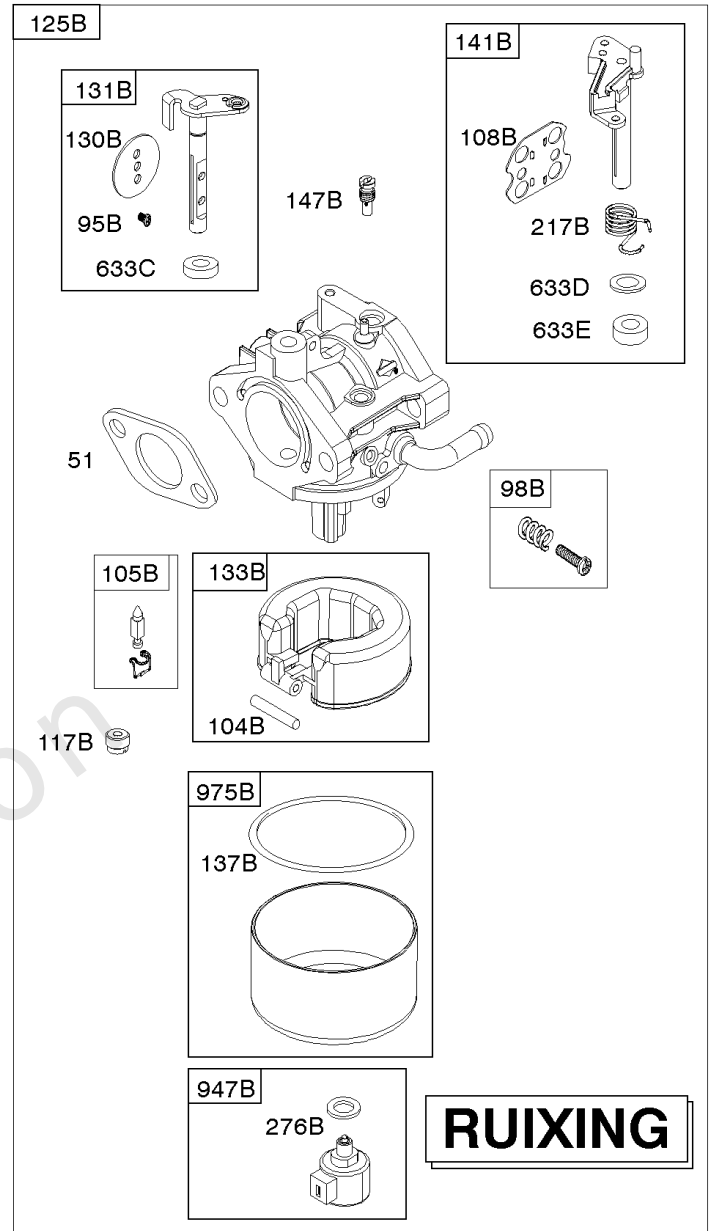
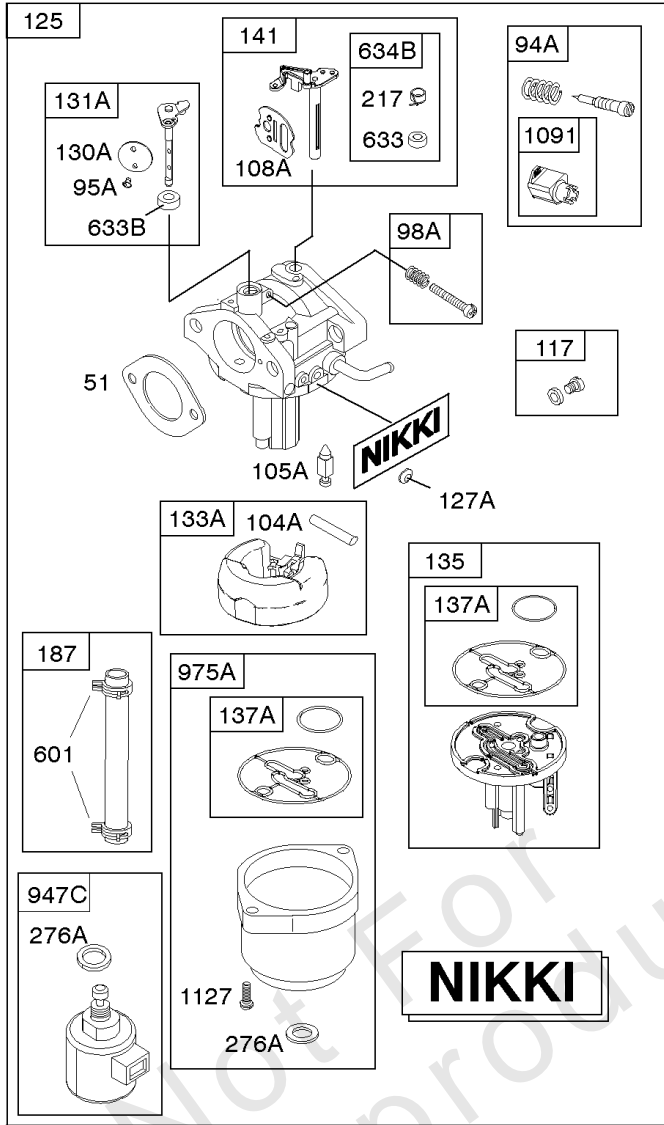
REF NO	PART NO	QTY	DESCRIPTION
1270	793243		PLUG, AVS Counterweight
1319	794467		LABEL, Warning

Not For Reproduction



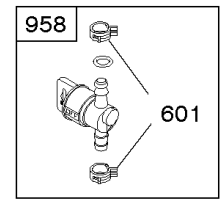
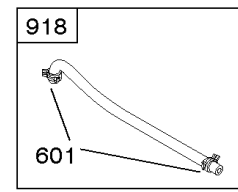
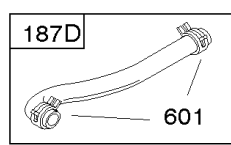
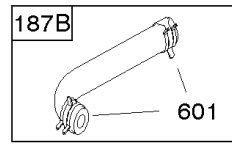
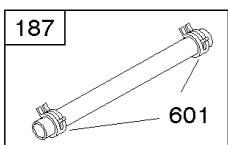
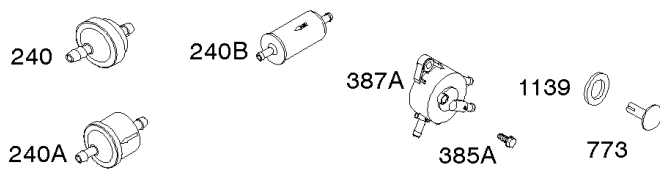
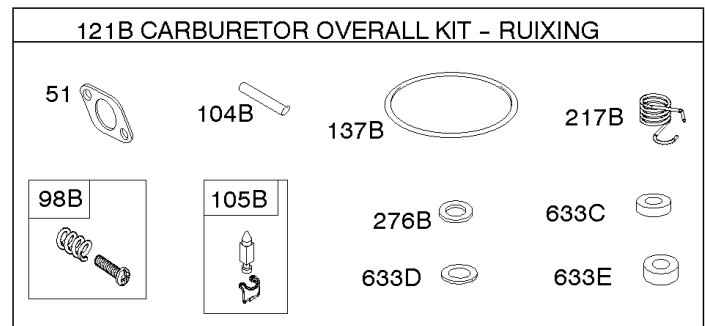
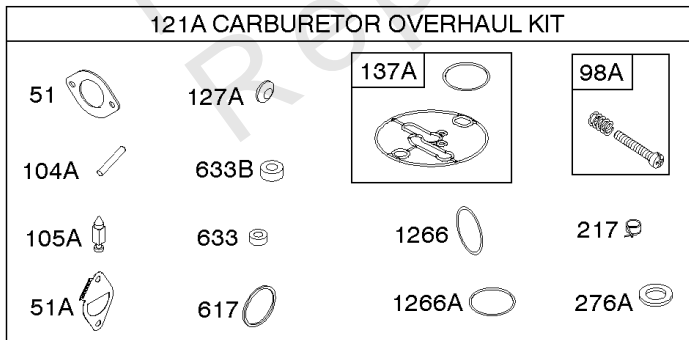
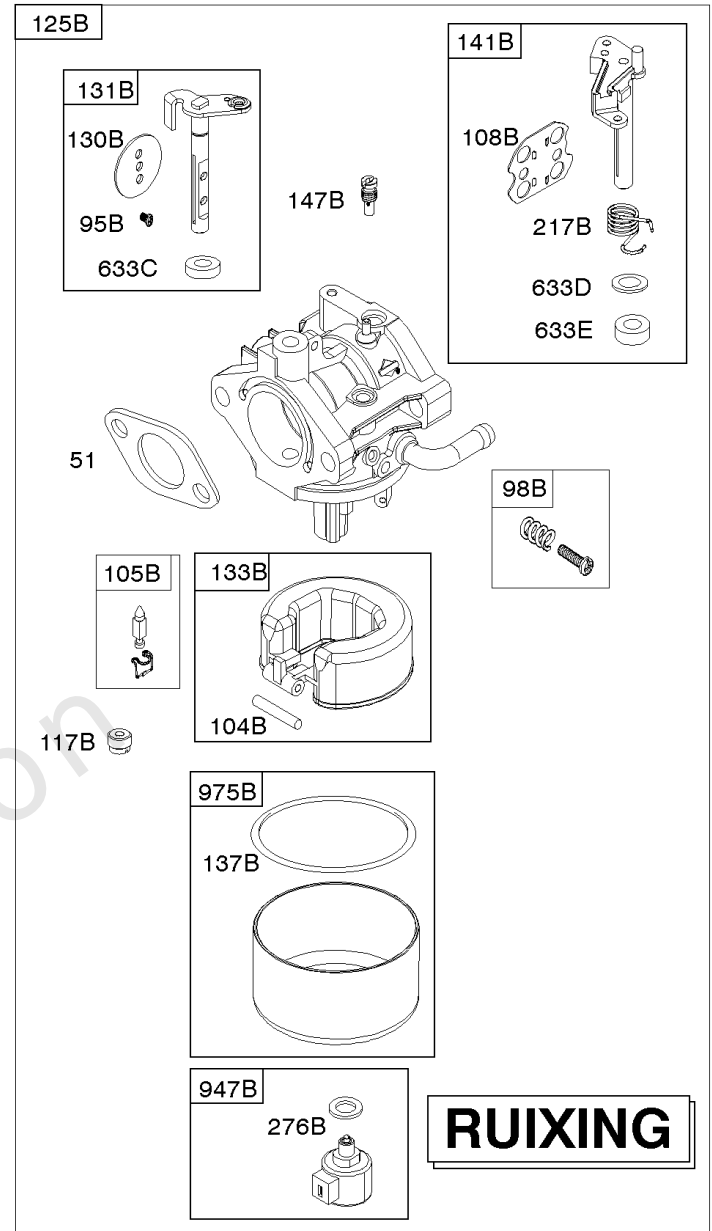
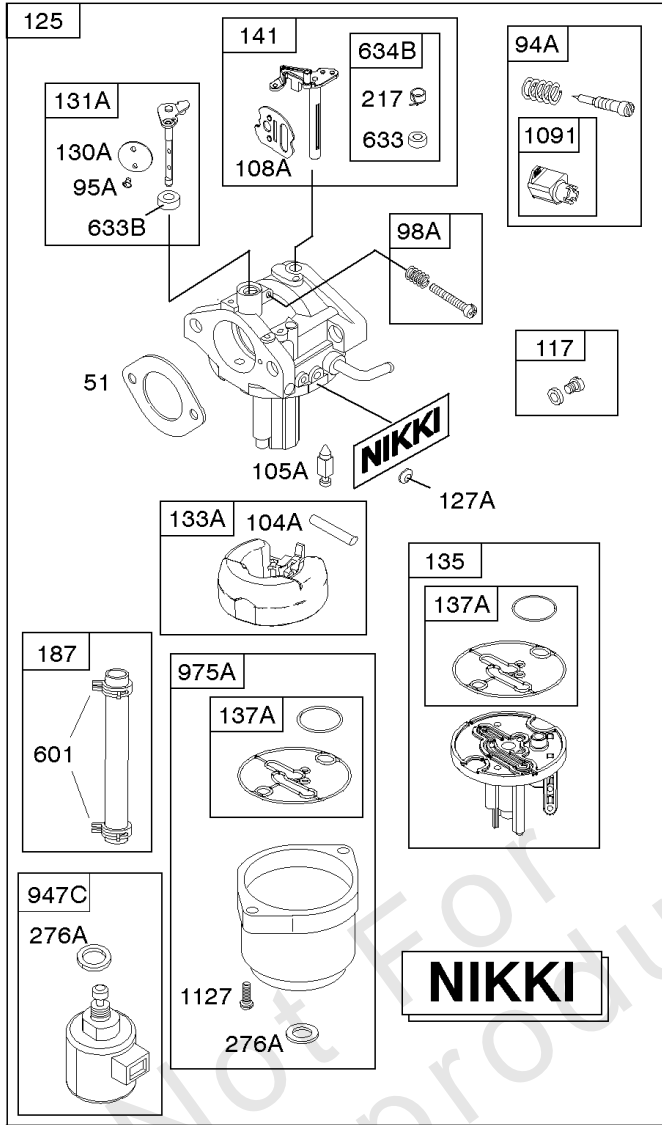
CARBURETOR, FUEL SUPPLY, KIT - CARBURETOR OVERHAUL

REF NO	PART NO	QTY	DESCRIPTION
51	692137		GASKET, Intake
51A	796081		GASKET, Intake
94A	793610		KIT, Idle Mixture
95A	690718		SCREW -(Throttle Valve) (Nikki) -Used Before Code Date 16010400
95B	593897		SCREW -(Throttle Valve) (Ruixing) -Used After Code Date 16010300
98A	695408		KIT, Idle Speed -(Nikki) -Used Before Code Date 16010400
98B	846817		KIT, Idle Speed -(Ruixing) -Used After Code Date 16010300
104A	694918		PIN, Float Hinge -(Nikki) -Used Before Code Date 16010400
104B	594860		PIN, Float Hinge -(Ruixing) -Used After Code Date 16010300
105A	696136		VALVE, Float Needle -(Nikki) -Used Before Code Date 16010400
105B	594868		VALVE, Float Needle -(Ruixing) -Used After Code Date 16010300
108A	695419		VALVE, Choke -(Nikki) -Used Before Code Date 16010400
108B	594863		VALVE, Choke -(Ruixing) -Used After Code Date 16010300
117	699458		JET, Main -(Standard) (Nikki) -Used Before Code Date 16010400
117B	595071		JET, Main -(Standard) (Ruixing) -Used After Code Date 16010300
118	843099		JET, Main -(High Altitude) (5000 Feet) -Used Before Code Date 16010400
118B	595069		JET, Main -(High Altitude) (5000 Feet) -Used After Code Date 16010300
121A	796184		KIT, Carburetor Overhaul -(Nikki Carburetor) -Used Before Code Date 16010400
121B	594886		KIT, Carburetor Overhaul -(Ruixing) -Used After Code Date 16010300
125	591734		CARBURETOR -Used Before Code Date 16010400
125B	594605		CARBURETOR -(Ruixing) -Used After Code Date 16010300
127A	690727		PLUG, Welch -(Nikki)
130A	792747		VALVE, Throttle -(Nikki) -Used Before Code Date 16010400
130B	594858		VALVE, Throttle -(Ruixing) -Used After Code Date 16010300



CARBURETOR, FUEL SUPPLY, KIT - CARBURETOR OVERHAUL

REF NO	PART NO	QTY	DESCRIPTION
131A	792765		KIT, Throttle Shaft -(Nikki) -Used Before Code Date 16010400
131B	594856		KIT, Throttle Shaft -(Ruixing) -Used After Code Date 16010300
133A	694914		FLOAT, Carburetor -(Nikki) -Used Before Code Date 16010400
133B	594859		FLOAT, Carburetor -(Ruixing) -Used After Code Date 16010300
135	796400		TUBE, Fuel Transfer -(Nikki)(Gravity Feed)
137A	698781		GASKET, Float Bowl -(Nikki) -Used Before Code Date 16010400
137B	594861		GASKET, Float Bowl -(Ruixing) -Used After Code Date 16010300
141	698778		KIT, Choke Shaft -(Nikki) -Used Before Code Date 16010400
141B	594862		KIT, Choke Shaft -(Ruixing) -Used After Code Date 16010300
147B	594870		JET, Pilot -(Ruixing) -Used After Code Date 16010300
187	791766		LINE, Fuel -(Straight)(Cut To Required Length)
187B	791805		LINE, Fuel -(Formed)(Cut To Required Length)
187D	791744		LINE, Fuel -(Formed)(Cut To Required Length)
217	695409		SPRING, Choke Return -(Nikki) -Used Before Code Date 16010400
217B	594864		SPRING, Choke Return -(Ruixing) -Used After Code Date 16010300
240	394358S		FILTER, Fuel -(White, 75 Microns)
240A	84001895		FILTER, Fuel -(Includes Paper Element With A 40 Micron Rating)
240B	695666		FILTER, Fuel -(Includes Paper Element With A 30 Micron Rating)
276A	695410		WASHER, Sealing -(Nikki) -Used Before Code Date 16010400
276B	846640		WASHER, Sealing -(Ruixing) -Used After Code Date 16010300
385A	690297		SCREW -(Regulator) (Fuel Pump)
387A	808656		PUMP, Fuel
601	791850		CLAMP, Hose
617	692138		SEAL, O-Ring -(Intake Manifold)
633	699813		SEAL, Choke/Throttle Shaft -(Nikki) -Used Before Code Date 16010400



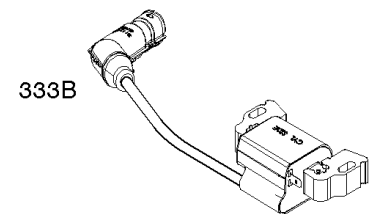
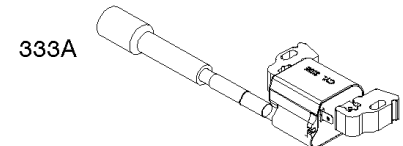
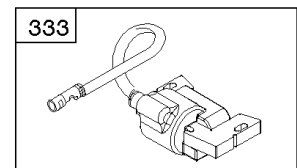
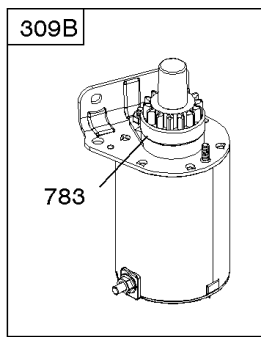
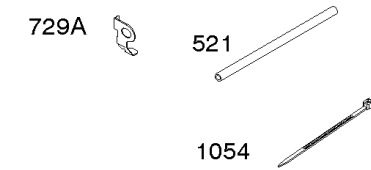
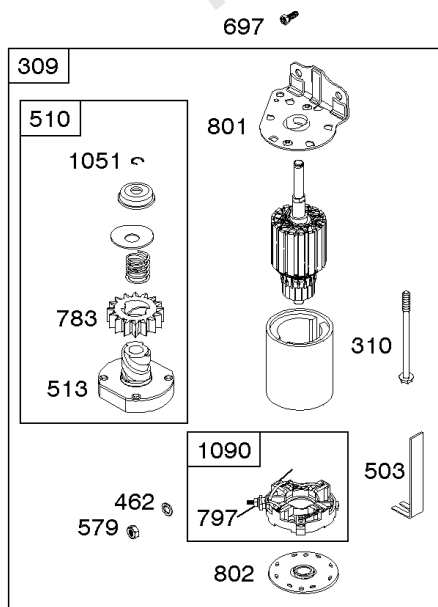
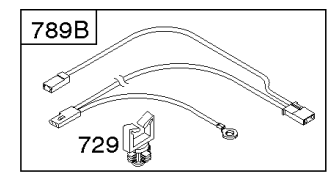
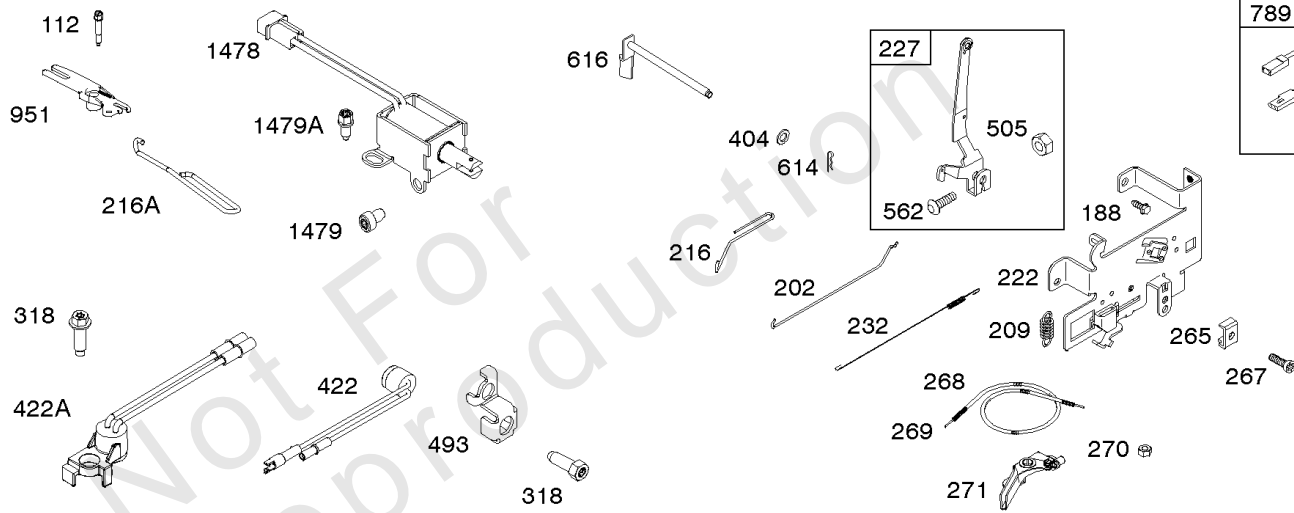
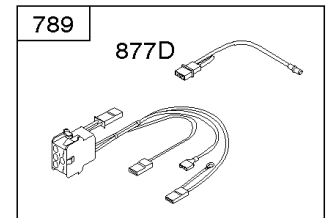
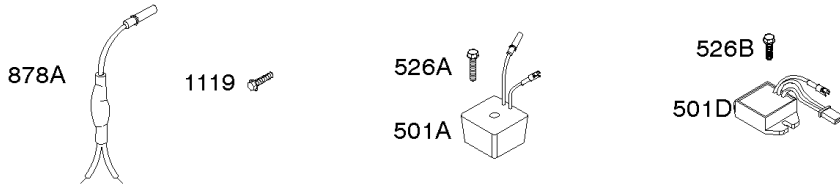
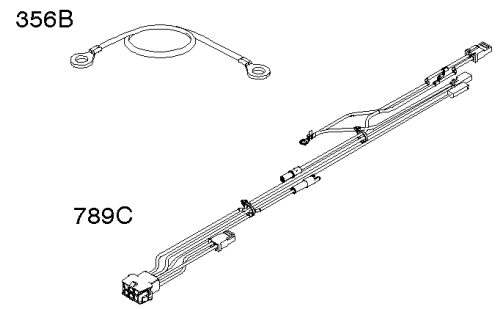
CARBURETOR, FUEL SUPPLY, KIT - CARBURETOR OVERHAUL

REF NO	PART NO	QTY	DESCRIPTION
633B	690998		SEAL, Choke/Throttle Shaft -(Nikki) -Used Before Code Date 16010400
633C	594866		SEAL, Choke/Throttle Shaft -(Ruixing) -Used After Code Date 16010300
633D	594865		SEAL, Choke/Throttle Shaft -(Ruixing) -Used After Code Date 16010300
633E	797629		SEAL, Choke/Throttle Shaft -(Ruixing) -Used After Code Date 16010300
634B	698779		SPRING/SEAL ASSEMBLY
773	796448		RETAINER
918	791851		HOSE, Vacuum -(Fuel Pump)
947B	846639		SOLENOID, Fuel -(Ruixing) -Used After Code Date 16010300
947C	596038		SOLENOID, Fuel -(Nikki) -Used Before Code Date 16010400
958	698183		VALVE, Fuel Shut Off
975A	699502		BOWL, Float -(Nikki) -Used Before Code Date 16010400
975B	594867		BOWL, Float -(Ruixing) -Used After Code Date 16010300
1091	691333		CAP, Limiter
1127	695407		SCREW -(Float Bowl) (Float Bowl to Carburetor Body)
1139	796449		WASHER -(Fuel Pump Bracket)
1266	691917		SEAL, O-Ring -(Intake Elbow)
1266A	697123		SEAL, O-Ring -(Intake Elbow)

CONTROLS, ALTERNATOR, WIRE ASSY, ELECTRIC STARTER, GOVERNOR SPRING,

Mfg. No: 31S977-0006-G1

DC ONLY		DUAL CIRCUIT		5/9 AMP TRI-CIRCUIT		10/16 AMP	
474A	1059	474B	1059	474C	1059	474D	1059



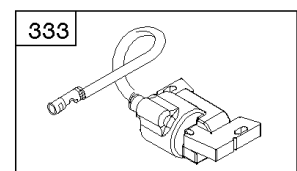
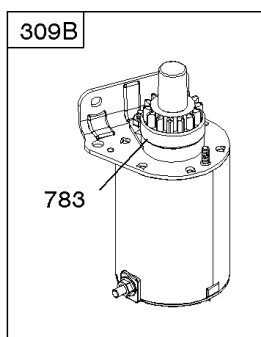
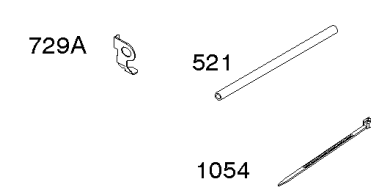
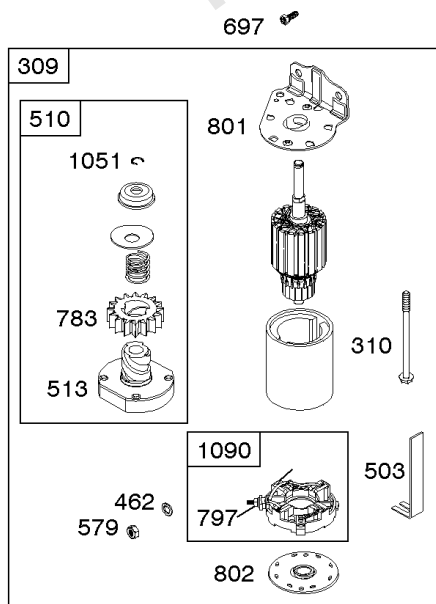
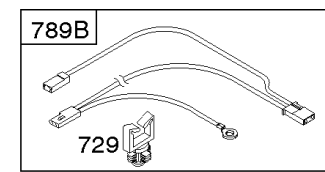
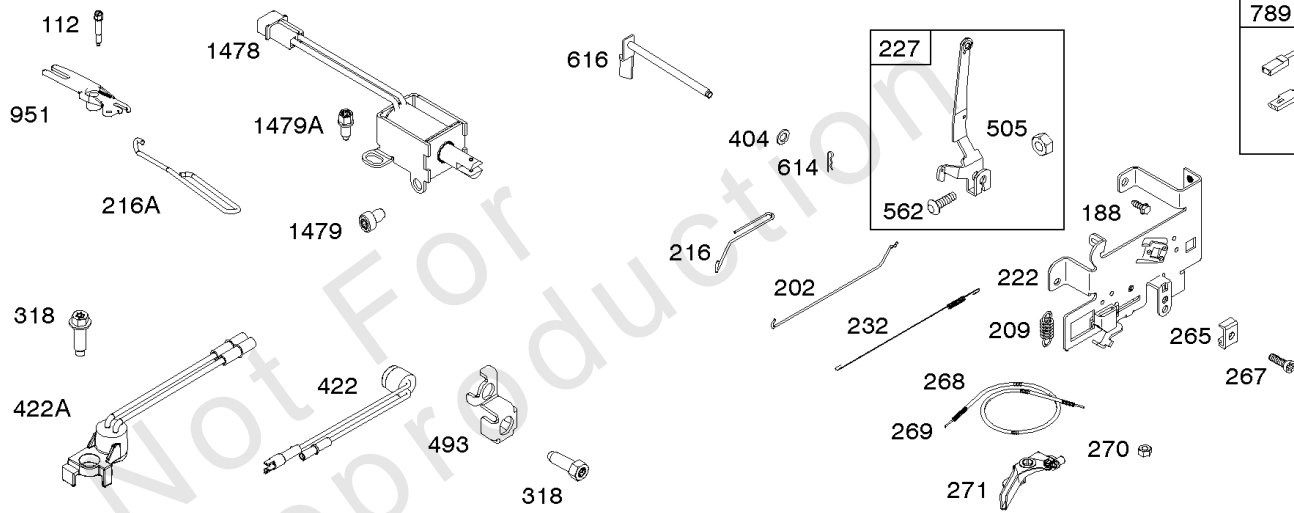
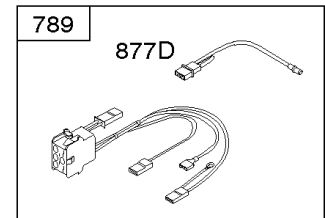
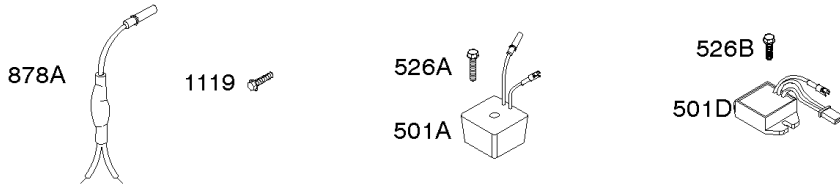
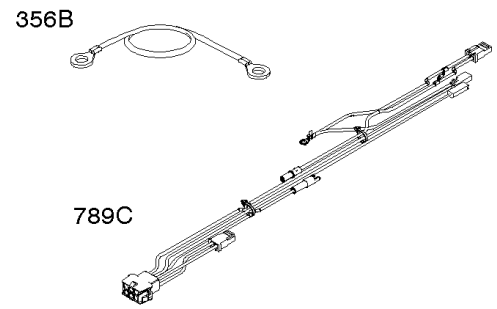
CONTROLS, ALTERNATOR, WIRE ASSY, ELECTRIC STARTER, GOVERNOR SPRING,

REF NO	PART NO	QTY	DESCRIPTION
112	593040		SCREW -(Choke Lever) (Ready Start System)
188	691693		SCREW -(Control Bracket)
202	691841		LINK, Mechanical Governor
209	792813		SPRING, Governor
216	691840		LINK, Choke
216A	593043		LINK, Choke -(Ready Start System)
222	694042		BRACKET, Control
227	691374		LEVER, Governor Control
232	691842		SPRING, Governor Link
265	691024		CLAMP, Casing
267	794904		SCREW -(Casing Clamp)
268	691025		CASING, Control Wire -(Cut To Required Length)
269	691026		WIRE, Control -(Cut To Required Length)
270	691027		NUT -(Control Wire Casing)
271	691028		LEVER, Control
309	593934		MOTOR, Starter
310	690323		BOLT -(Starter Motor) (Starter Motor)
318	594384		SCREW -(Mounting Bracket) (Ready Start System)
333	799650		ARMATURE, Magneto -Used Before Code Date 16080900
333A	594626		ARMATURE, Magneto -Used After Code Date 16080800 -Used Before Code Date 16100100
333B	595304		ARMATURE, Magneto -Used After Code Date 16093000
334	691061		SCREW -(Magneto Armature)
356B	697089		WIRE, Stop
404	691691		WASHER -(Governor Crank)
422	-----		Switch-Snap -(No Longer Available, For Replacement Order Reference 422A & 789C)
422A	593056		SWITCH, Snap -(Ready Start System)
462	691261		WASHER -(Starter Cable)
474C	592829		ALTERNATOR -(5 or 9 Amp. Tri Circuit, Regulated)
493	593057		BRACKET, Mounting -(Ready Start System)
501A	794360		REGULATOR
501D	845907		REGULATOR -(10-16 AMP.)
503	691532		STRAP, Starter
505	691251		NUT -(Governor Control Lever)
510	693699		DRIVE, Starter
513	692024		CLUTCH, Drive
521	690581		SHIELD, Cable

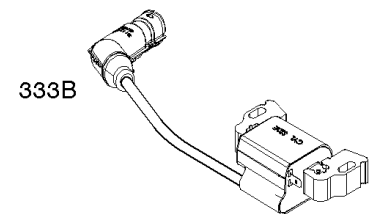
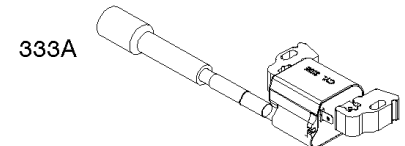
CONTROLS, ALTERNATOR, WIRE ASSY, ELECTRIC STARTER, GOVERNOR SPRING,

Mfg. No: 31S977-0006-G1

DC ONLY		DUAL CIRCUIT		5/9 AMP TRI-CIRCUIT		10/16 AMP	
474A	1059	474B	1059	474C	1059	474D	1059



334

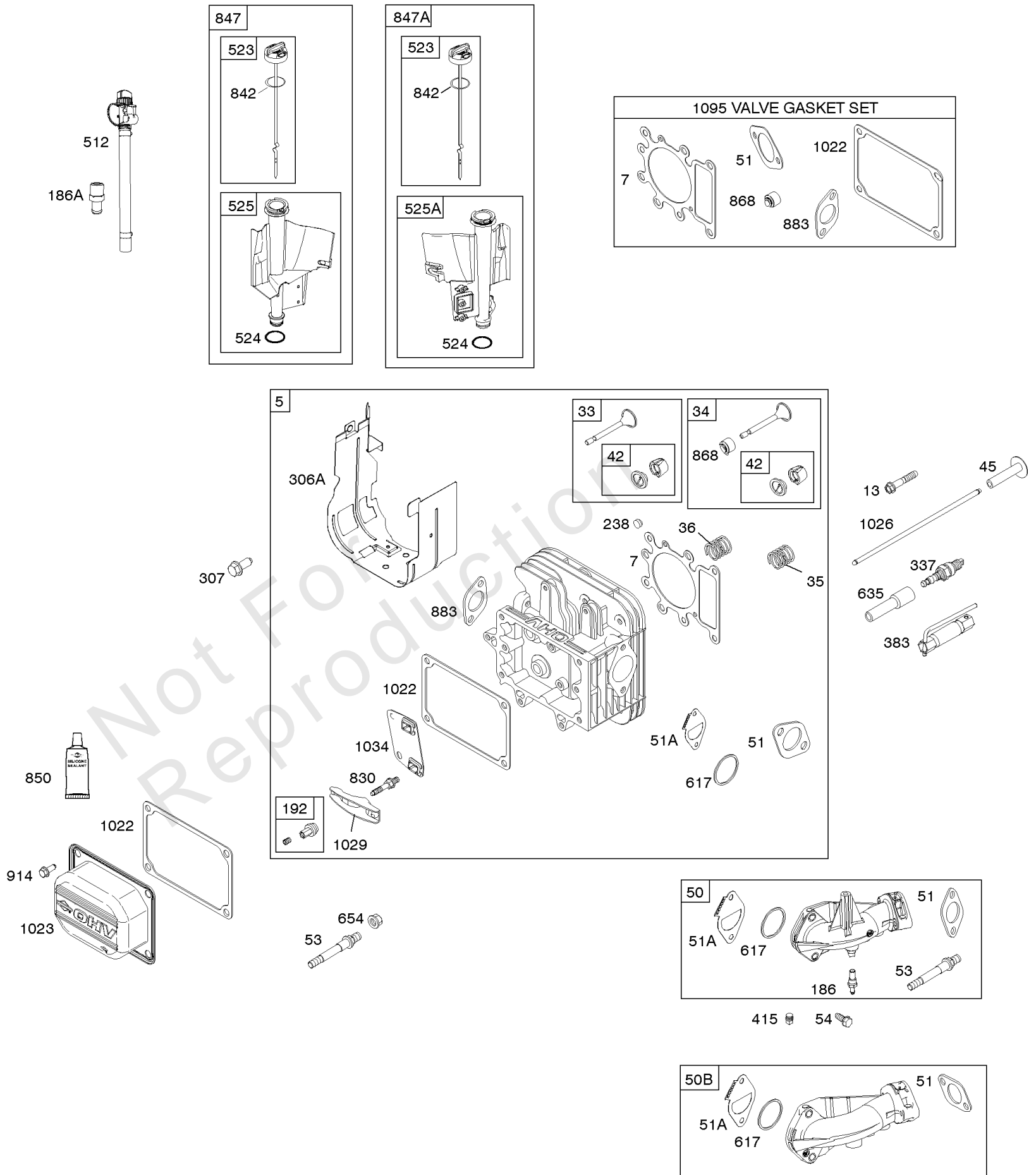


CONTROLS, ALTERNATOR, WIRE ASSY, ELECTRIC STARTER, GOVERNOR SPRING,

REF NO	PART NO	QTY	DESCRIPTION
526A	697088		SCREW -(Regulator)
526B	697348		SCREW -(Regulator)
562	691119		BOLT -(Governor Control Lever)
579	691029		NUT -(Starter Cable)
614	691620		PIN, Cotter
616	692012		CRANK, Governor
697	791680		SCREW -(Starter Motor) (Drive Cap)
729	691335		CLIP, Wire -(Wire Saddle)
729A	691224		CLIP, Wire -(Aluminum Coated Steel)
783	593935		GEAR, Pinion
789	698329		HARNESS, Wiring
789B	692037		HARNESS, Wiring
789C	594359		HARNESS, Wiring
797	693167		NUT -(Brush Retainer)
801	691283		CAP, Drive
802	691286		CAP, End
877	393456		WIRE/CONNECTOR, Alternator -(Dual Circuit)
877A	393814		WIRE/CONNECTOR, Alternator -(10 Amp Regulated)
877D	790544		WIRE/CONNECTOR, Alternator
877C	399916		WIRE/CONNECTOR, Alternator -(10 and 16 Amp Regulated)
878A	691955		HARNESS, Alternator -(5 or 9 Amp. Tri Circuit, Regulated)
951	593039		LEVER, Choke
1051	691265		RING, Retaining
1054	280275		TIE, Cable
1059	698516		KIT, Screw/Washer
1090	691293		RETAINER, Brush
1119	691183		SCREW -(Alternator)
1478	593037		SOLENOID, Choke
1479	593041		SCREW -(Choke Solenoid)
1479A	593042		SCREW -(Choke Solenoid)

CYLINDER HEAD, INTAKE MANIFOLD, OIL FILL, VALVES

Mfg. No: 31S977-0006-G1

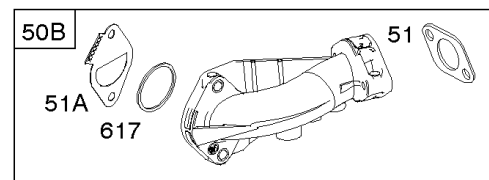
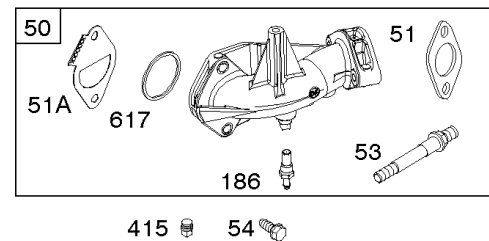
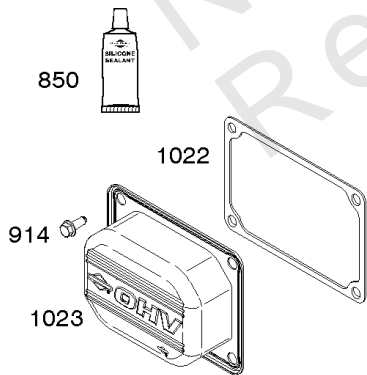
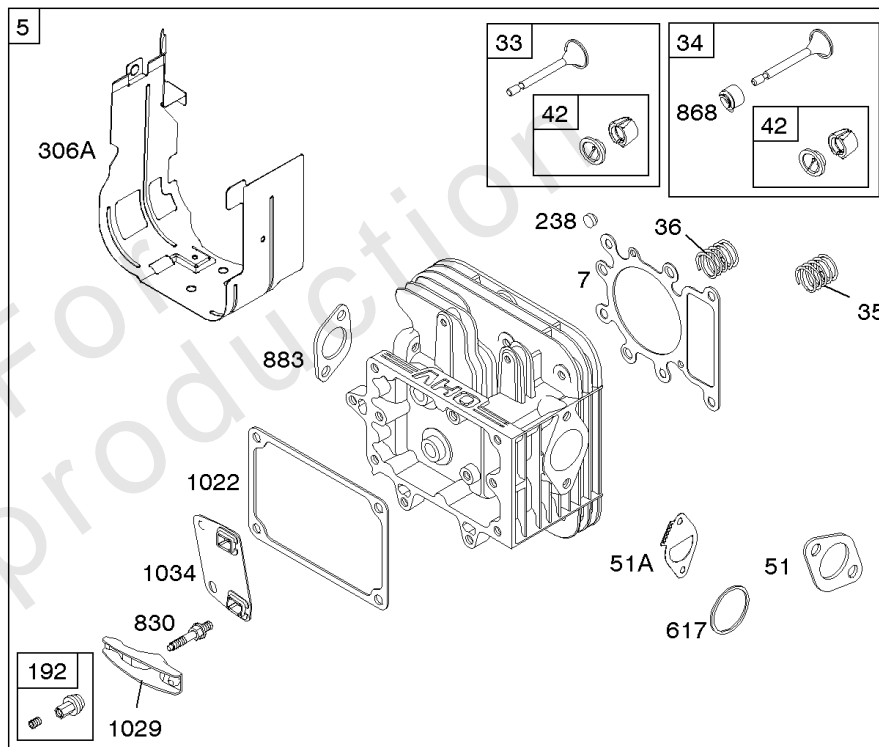
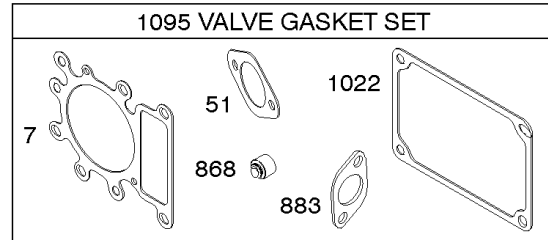
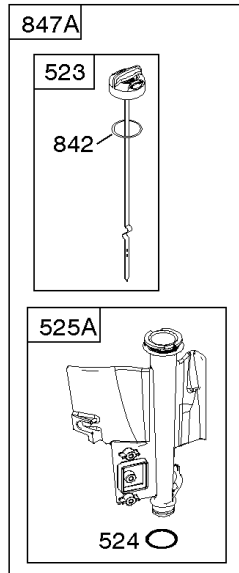
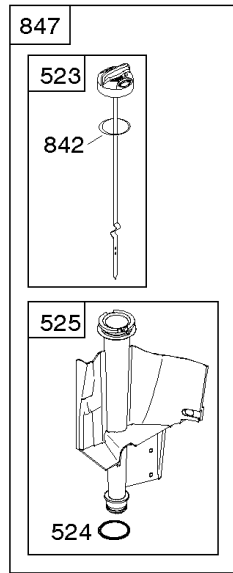
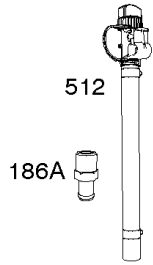


CYLINDER HEAD, INTAKE MANIFOLD, OIL FILL, VALVES

REF NO	PART NO	QTY	DESCRIPTION
5	796026		HEAD, Cylinder
7	796584		GASKET, Cylinder Head
13	592244		SCREW -(Cylinder Head) (5/16-18 x 2.69)
33	792868		VALVE, Exhaust
34	791935		VALVE, Intake
35	691279		SPRING, Valve -(Intake)
36	691279		SPRING, Valve -(Exhaust)
42	499586		KEEPER, Valve
45	690564		TAPPET, Valve
50	591248		MANIFOLD, Intake
50B	592842		MANIFOLD, Intake
51	692137		GASKET, Intake
51A	796081		GASKET, Intake
53	591260		STUD -(Carburetor)
54	691148		SCREW -(Intake Manifold)
186	794873		CONNECTOR, Hose
186A	796532		CONNECTOR, Hose
192	691986		ADJUSTER, Rocker Arm
238	691843		CAP, Valve
306A	794953		SHIELD, Cylinder
307	691693		SCREW -(Cylinder Shield)
337	491055S		PLUG, Spark -(Resistor)
383	19576S		WRENCH, Spark Plug -(5/8 & 13/16, 8" Long)
415	794903		PLUG -(Engine Sump)
512	594200		HOSE, Oil Drain
523	699908		DIPSTICK
524	691032		SEAL, O-Ring
525	697085		TUBE, Dipstick
525A	697184		TUBE, Dipstick
617	692138		SEAL, O-Ring -(Intake Manifold)
635	691909		BOOT, Spark Plug
654	690958		NUT -(Carburetor)
830	691095		STUD, Rocker Arm
842	691031		SEAL, O-Ring -(Dipstick Tube) (Special Dipstick Tube)
847	790443		DIPSTICK/TUBE ASSEMBLY
847A	790442		DIPSTICK/TUBE ASSEMBLY
850	100106		SEALANT, Liquid -(Rocker Cover Gasket and Breather Gasket)
868	690968		SEAL, Valve
883	692236		GASKET, Exhaust
914	691108		SCREW -(Rocker Cover)
1022	272475S		GASKET, Rocker Cover -(Use Liquid Sealant Reference 850)

CYLINDER HEAD, INTAKE MANIFOLD, OIL FILL, VALVES

Mfg. No: 31S977-0006-G1



CYLINDER HEAD, INTAKE MANIFOLD, OIL FILL, VALVES

REF NO	PART NO	QTY	DESCRIPTION
1023	797421		COVER, Rocker
1026	692003		ROD, Push -(Intake)
1026	692011		ROD, Push -(Exhaust)
1029	691751		ARM, Rocker
1034	690822		GUIDE, Push Rod
1095	794152		GASKET SET, Valve

Not For Reproduction

Replacement Engine - US & Canada

REF NO	PART NO	QTY	DESCRIPTION
	592060	1	Replacement Short Block
	31S9770006	1	Replacement Engine
	-----		Top No-Load Speed: 3300 -Trim: ALL
	-----		Short Block Note: Engines Built Prior to 07/12/2012 should use short block 697762. Engines built on or after 07/12/2012 should use short block 592060.

Not For Reproduction

