

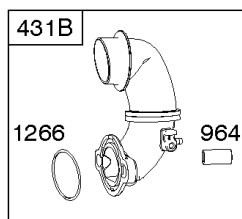
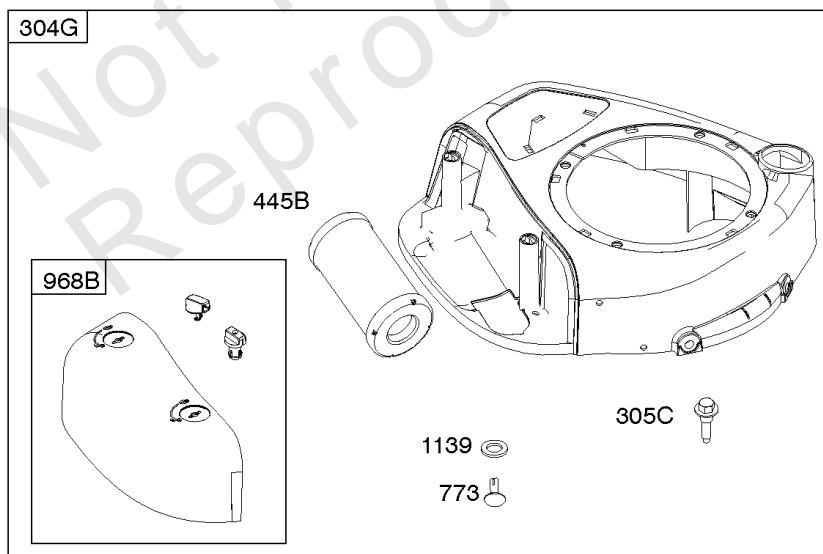
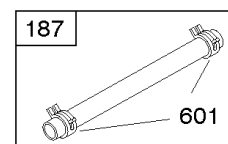
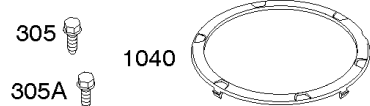
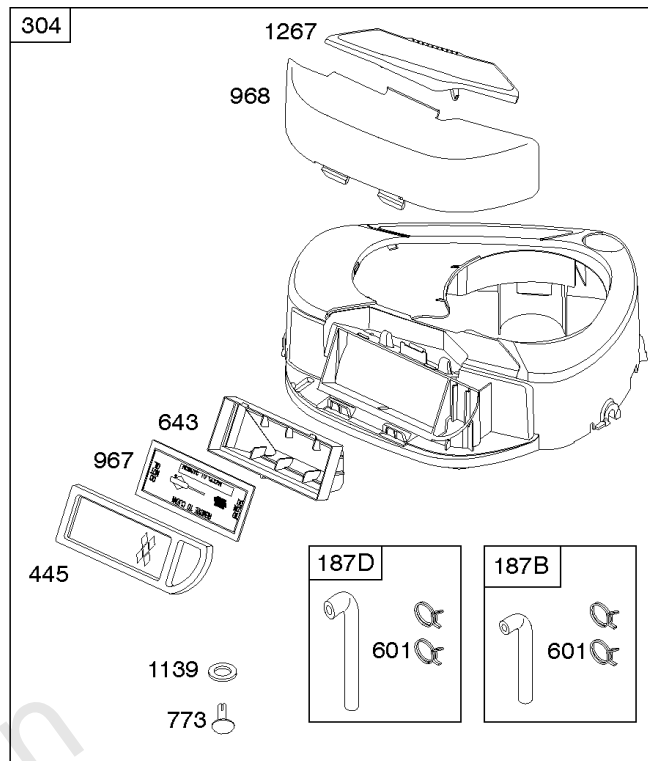
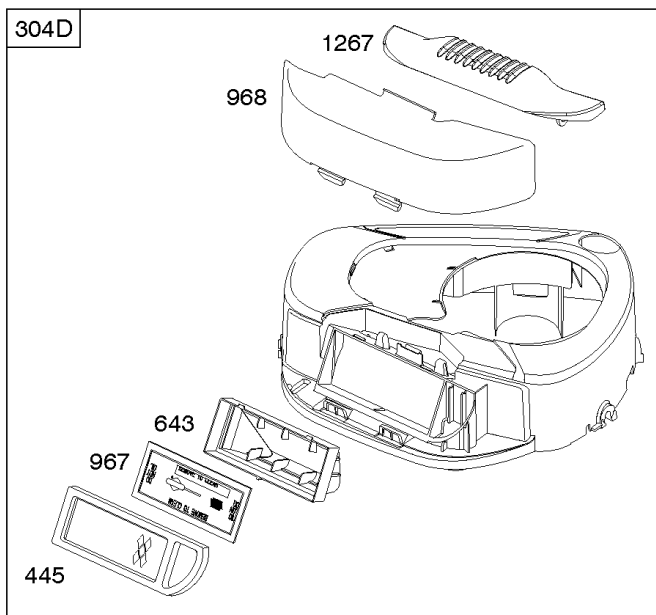


Parts Manual

Mfg. No: 319775-0109-E1

Model Components	Page
Air Cleaner, Blower Housing.....	4
Camshaft, Crankshaft, Cylinder, Cylinder Head, Engine Sump, Gasket Set - Engine, Piston, Rings, Connecting	6
Carburetor, Intake Manifold.....	12
Controls, Electric Starter, Governor Spring, Ignition.....	14
Flywheel.....	16
Gasket Set - Valve, Lubrication, Valves.....	18
Replacement Engine - US & Canada.....	22

Not For
Reproduction



Air Cleaner, Blower Housing

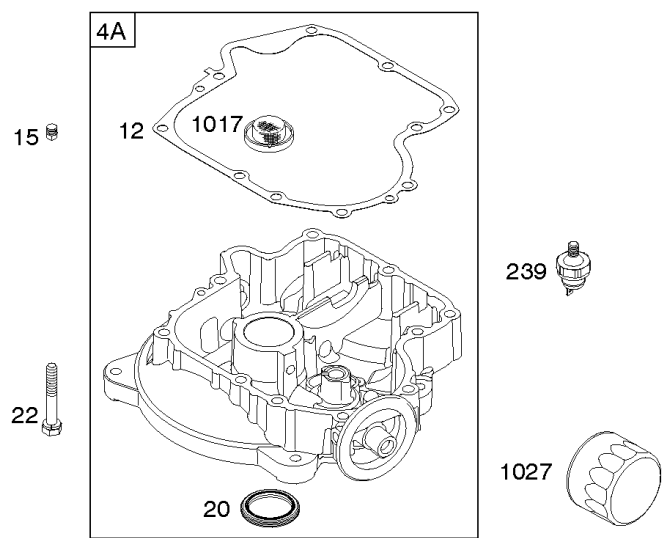
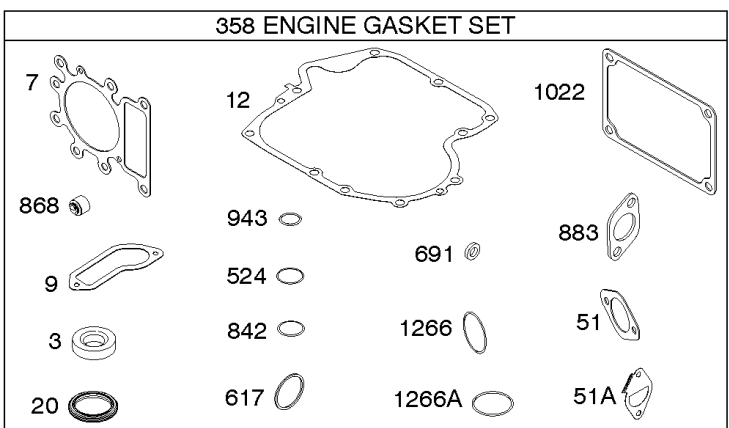
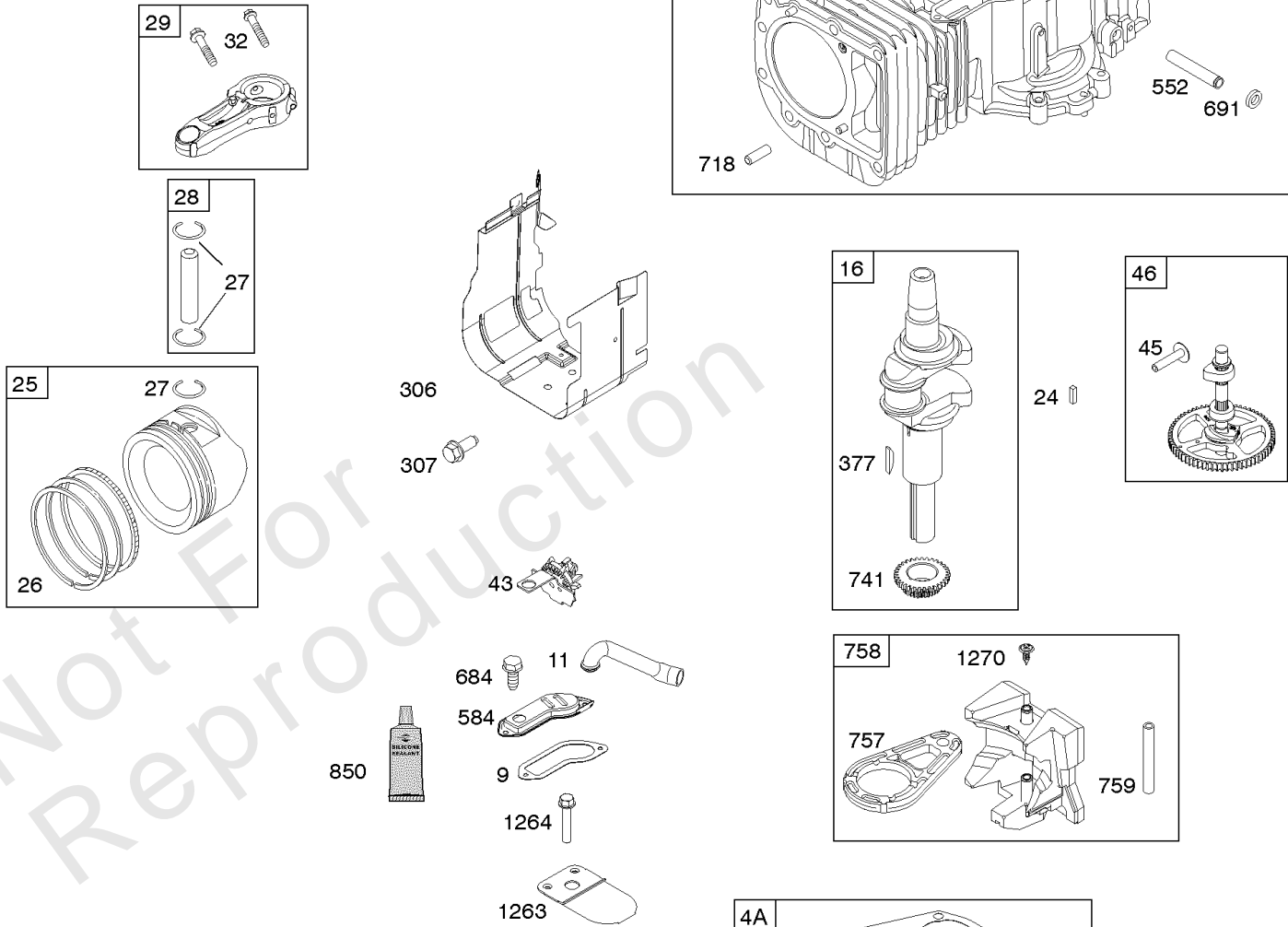
REF NO	PART NO	QTY	DESCRIPTION
187	791766		LINE, Fuel -(Straight)(Cut To Required Length)
187B	791805		LINE, Fuel -(Formed)(10-1/4" Long)(Cut to Required Length)
187D	791744		LINE, Fuel -(Formed)(14 Inches Long)(Cut To Required Length)
304	796416		HOUSING, Blower -(Black) -Used After Code Date 08082400
304D	790719		HOUSING, Blower -(Black) -Used Before Code Date 08082500
304G	591642		HOUSING, Blower -(Black)
304G	591643		HOUSING, Blower -(Black)
305	697102		SCREW -(Blower Housing)
305A	793376		SCREW -(Blower Housing)
305B	795891		SCREW -(Blower Housing)
305C	799370		SCREW -(Blower Housing)
431B	797901		ELBOW, Intake
445	790263		FILTER, A/C Cartridge -(UL Recognized)
445B	797427		FILTER, A/C Cartridge -(Canister)
601	791850		CLAMP, Hose -(Green)
643	698401		RETAINER, Air Filter
773	796448		RETAINER
964	799159		CAP, Connector
967	697015		FILTER, Pre Cleaner
967B	797704		FILTER, Pre Cleaner
968	698403		COVER, Air Cleaner -(Black)
968B	591647		COVER, Air Cleaner -(Black)
1040	698368		PLATE, Trim
1139	796449		WASHER -(Fuel Pump Bracket)
1266	691917		SEAL, O-Ring -(Intake Elbow)
1267	697419		LATCH, Blower Housing

Camshaft, Crankshaft, Cylinder, Cylinder Head, Engine Sump, Gasket Set - Engine,

Mfg. No: 319775-0109-E1

1319 WARNING LABEL

1036 EMISSIONS LABEL

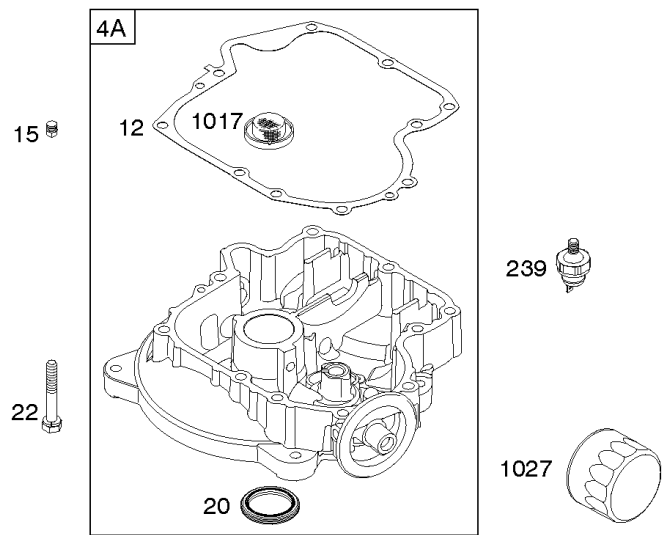
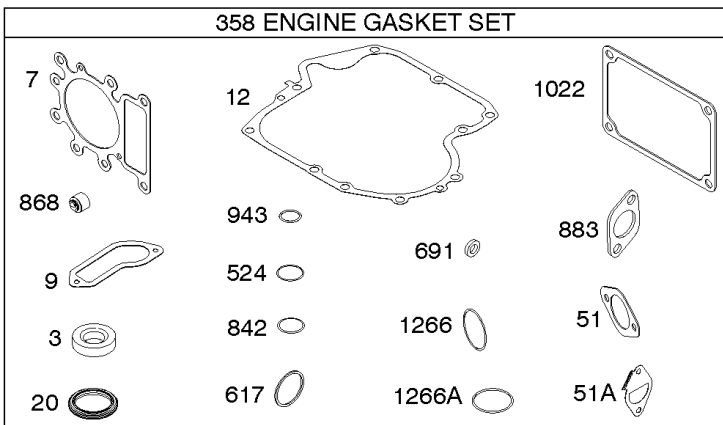
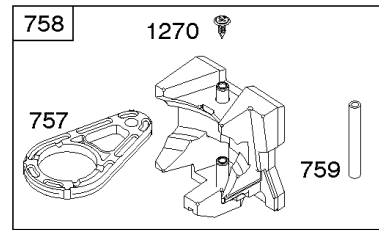
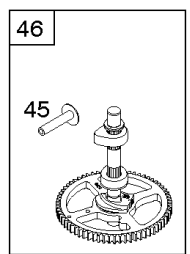
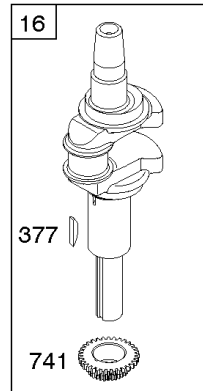
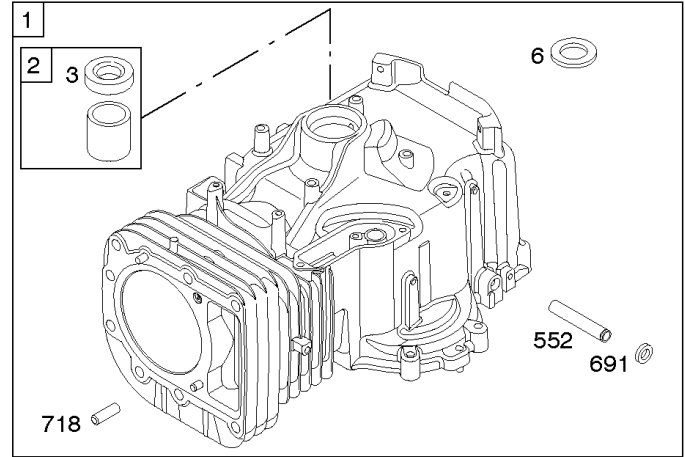
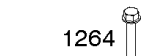
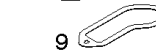
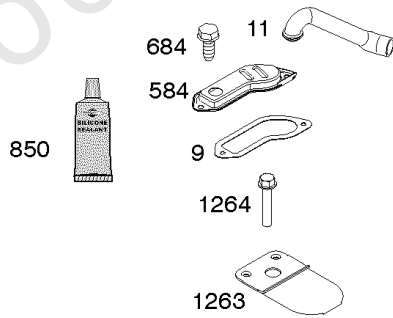
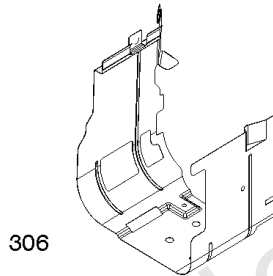
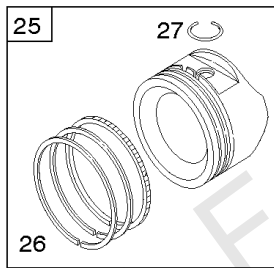
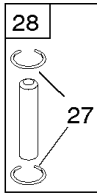
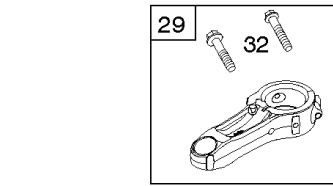


Camshaft, Crankshaft, Cylinder, Cylinder Head, Engine Sump, Gasket Set - Engine,

REF NO	PART NO	QTY	DESCRIPTION
1	796010		CYLINDER ASSEMBLY
1	796010		CYLINDER ASSEMBLY -MUST BE USED WITH THE AFTER 4/27/08 CYLINDER SHIELD, REF 306 -Used Before Code Date 08042800
2	797673		KIT, Bushing/Seal -(Magneto Side)
3	391086S		SEAL, Oil -(Magneto Side)
4A	790725		SUMP, Engine -Used After Code Date 05100200
4A	795939		SUMP, Engine -(Must Use Kit 795939, Includes Sump And Counterweight) -Used Before Code Date 05100300
6	690310		WASHER -(Cylinder Head) -Used After Code Date 07010900
7	796584		GASKET, Cylinder Head
9	697109		GASKET, Breather -(After Date Code Use Liquid Sealant Reference 850) -Used Before Code Date 07071900
11	794683		TUBE, Breather
12	697110		GASKET, Crankcase -(.015" Thick)(Standard)
15	691680		PLUG, Oil Drain -(Square Socket)
15	690946		PLUG, Oil Drain -(Square Head)
16	591946		CRANKSHAFT -Used After Code Date 12071700
16	797584		CRANKSHAFT -Used Before Code Date 12071800
20	795387		SEAL, Oil -(PTO Side)
22	692125		SCREW -(Crankcase Cover/Sump)
24	796335		KEY, Flywheel -Used Before Code Date 12071800
24	591757		KEY, Flywheel -Used After Code Date 12071700
25	594435		PISTON ASSEMBLY -(Standard) -Used After Code Date 14093000
25	594436		PISTON ASSEMBLY -(.020" Oversize) -Used After Code Date 14093000
25	796172		PISTON ASSEMBLY -(Standard) -Used Before Code Date 14100100
25	796173		PISTON ASSEMBLY -(.020 Oversize) -Used Before Code Date 14100100
26	792649		SET, Ring -(.020 Oversize) -Used Before Code Date 14100100
26	594438		SET, Ring -(.020 Oversize) -Used After Code Date 14093000
26	699026		SET, Ring -(Standard) -Used Before Code Date 06010200

1319 WARNING LABEL

1036 EMISSIONS LABEL



Camshaft, Crankshaft, Cylinder, Cylinder Head, Engine Sump, Gasket Set - Engine,

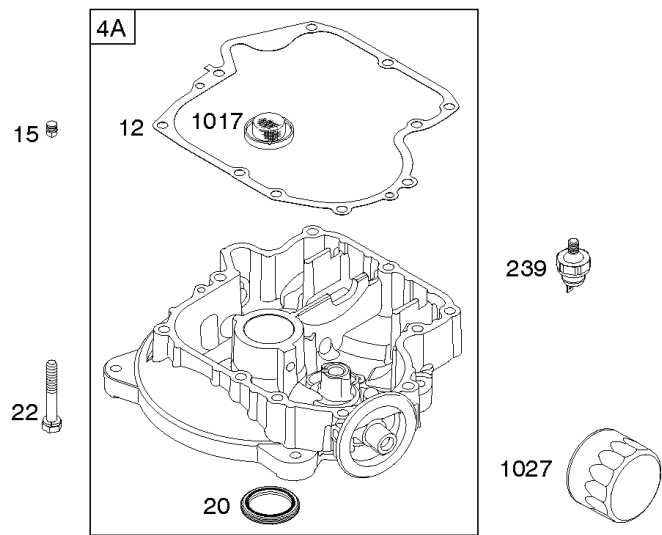
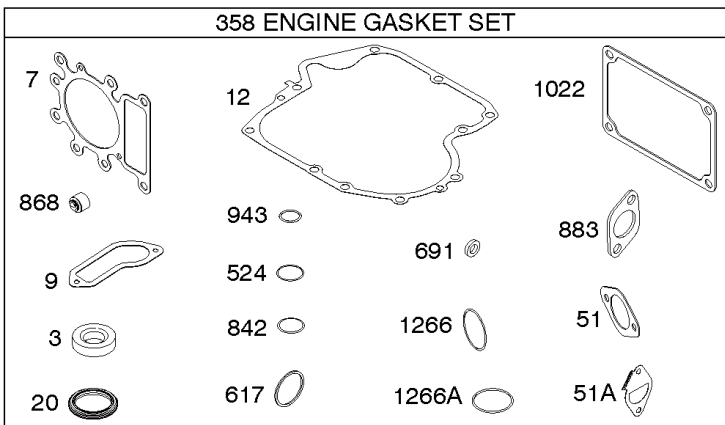
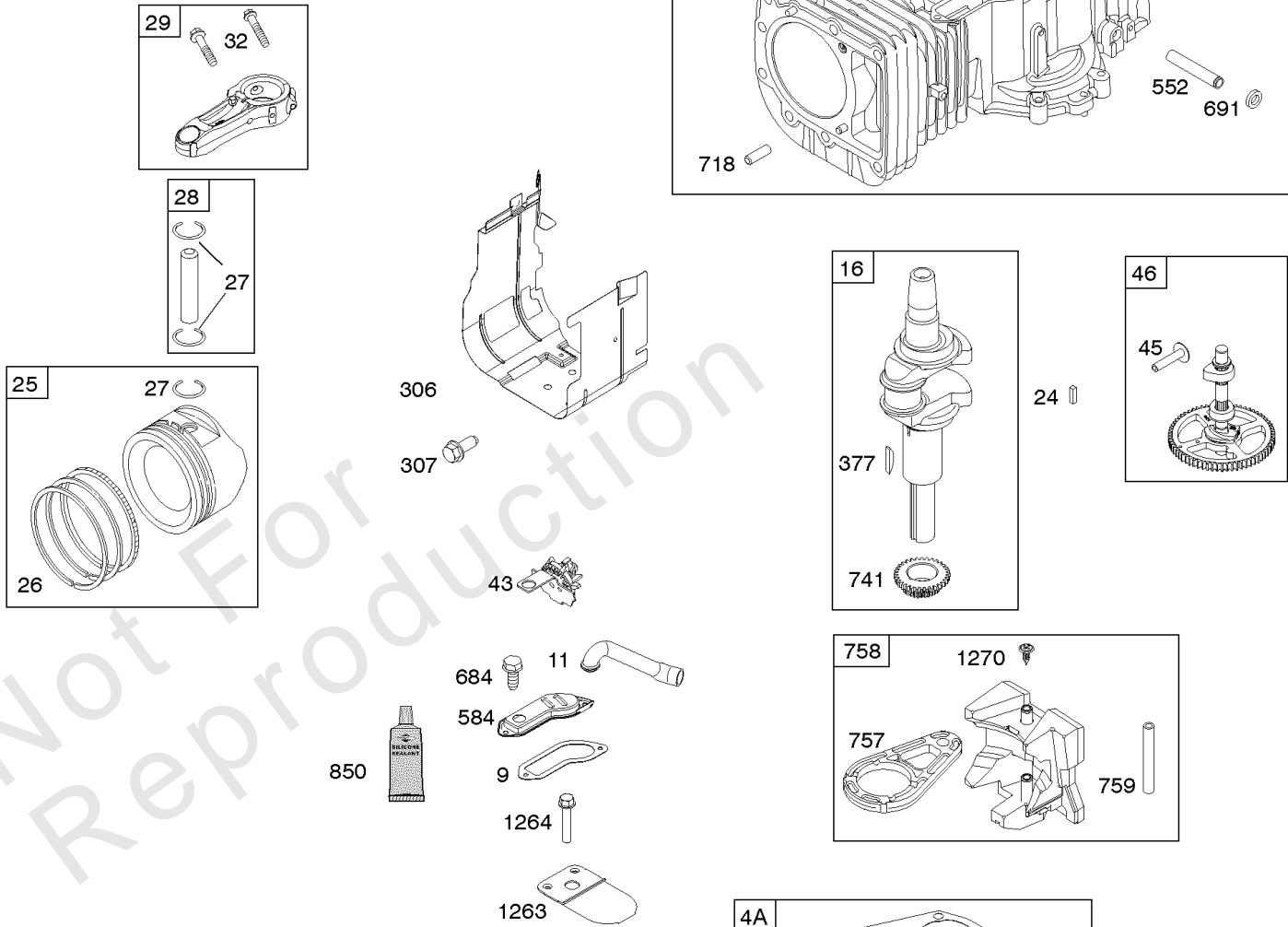
REF NO	PART NO	QTY	DESCRIPTION
26	791936		SET, Ring -(Standard) -Used After Code Date 06010100 -Used Before Code Date 14100100
26	594437		SET, Ring -(Standard) -Used After Code Date 14093000
27	698469		LOCK, Piston Pin
28	697099		PIN, Piston -(Standard) -Used Before Code Date 08042800
28	796007		PIN, Piston -(1.97) -Used After Code Date 08042700 -Used Before Code Date 14100100
28	594439		PIN, Piston -(1.62" Long) -Used After Code Date 14093000
29	794571		ROD, Connecting -(Standard)
32	791118		SCREW -(Connecting Rod)
43	691968		SLINGER, Governor/Oil
45	690564		TAPPET, Valve
46	793880		CAMSHAFT
51	692137		GASKET, Intake
51A	796081		GASKET, Intake
239	694115		SWITCH, Oil Pressure
306	697107		SHIELD, Cylinder -Used Before Code Date 08042800
306	592777		SHIELD, Cylinder -Used After Code Date 08042700
307	691693		SCREW -(Cylinder Shield)
358	796187		GASKET SET, Engine
377	691639		KEY, Timing
524	691032		SEAL, O-Ring
552	697144		BUSHING, Governor Crank
584	794682		COVER, Breather Passage -(Use with Liquid Sealant Reference 850)
617	692138		SEAL, O-Ring -(Intake Manifold)
684	697157		SCREW -(Breather Passage Cover)
691	692407		SEAL, Governor Shaft
718	690959		PIN, Locating
741	697128		GEAR, Timing
757	793242		LINK, Counterweight
758	-----		Counterweight -(Must Use Kit 795939, Includes Sump And Counterweight) -Used Before Code Date 05100300
758	793763		COUNTERWEIGHT -Used After Code Date 05100200 -Used Before Code Date 14100100
758	594443		COUNTERWEIGHT -Used After Code Date 14093000
759	697392		PIN, Counterweight
842	691031		SEAL, O-Ring -(Dipstick Tube)

Camshaft, Crankshaft, Cylinder, Cylinder Head, Engine Sump, Gasket Set - Engine,

Mfg. No: 319775-0109-E1

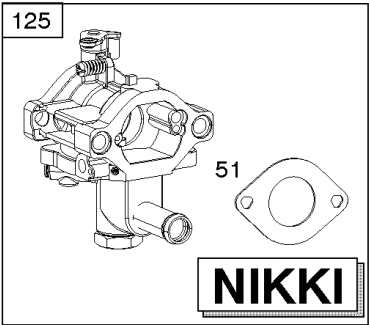
1319 WARNING LABEL

1036 EMISSIONS LABEL

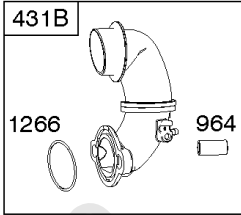
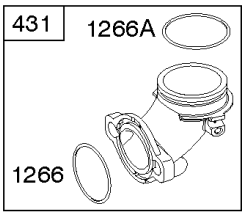


Camshaft, Crankshaft, Cylinder, Cylinder Head, Engine Sump, Gasket Set - Engine,

REF NO	PART NO	QTY	DESCRIPTION
850	100106		SEALANT, Liquid -(Rocker Cover Gasket and Breather Gasket)
868	690968		SEAL, Valve
883	692236		GASKET, Exhaust
943	690589		SEAL, O-Ring -(Oil Pump Cover)
1017	796981		SCREEN, Oil Pump -(Push In)
1022	272475S		GASKET, Rocker Cover -(After Date Code Use Liquid Sealant Reference 850) -Used Before Code Date 07091000
1027	492932S		FILTER, Oil
1036	-----		Label-Emissions -(Available From A Briggs & Stratton Authorized Dealer)
1263	697124		REED, Breather
1264	697104		SCREW -(Breather Reed)
1266	691917		SEAL, O-Ring -(Intake Elbow)
1266A	697123		SEAL, O-Ring -(Intake Elbow)
1270	793243		PLUG, AVS Counterweight
1319	794467		LABEL, Warning



142 

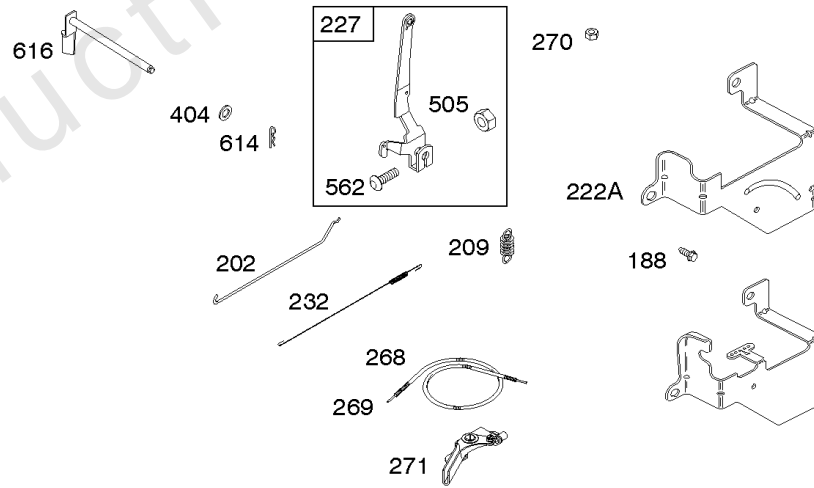
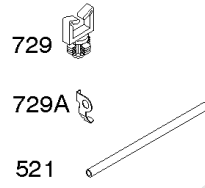
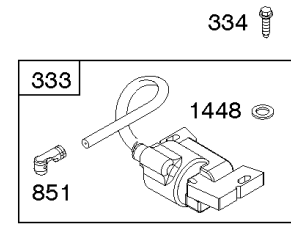
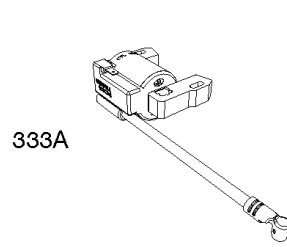
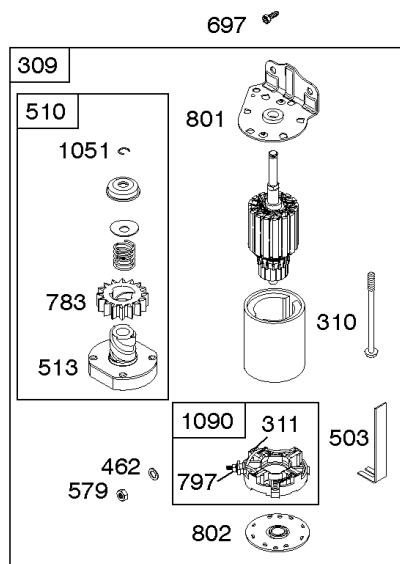


Not For
Reproduction

Carburetor, Intake Manifold

REF NO	PART NO	QTY	DESCRIPTION
51	692137		GASKET, Intake
125	594634		CARBURETOR -(LP/NG Mixer Assembly)
142	594635		NOZZLE, Carburetor -(Natural Gas)
431	793669		MANIFOLD, Intake
431B	797901		ELBOW, Intake
964	799159		CAP, Connector
1266	691917		SEAL, O-Ring -(Intake Elbow)
1266A	697123		SEAL, O-Ring -(Intake Elbow)

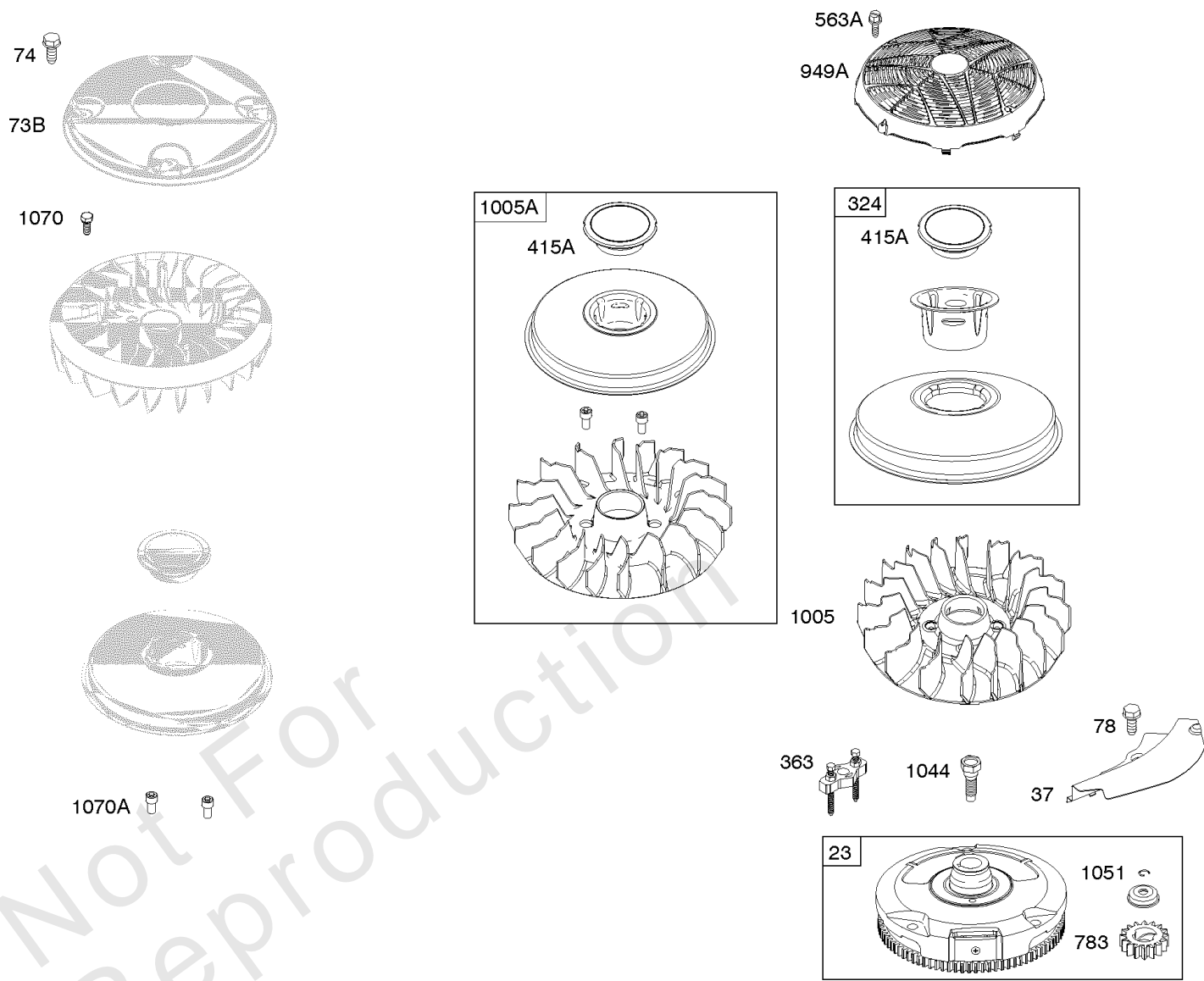
Not For Reproduction



Not For
Reproduction

Controls, Electric Starter, Governor Spring, Ignition

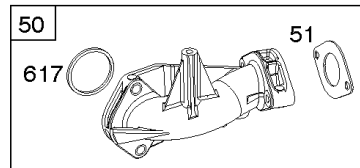
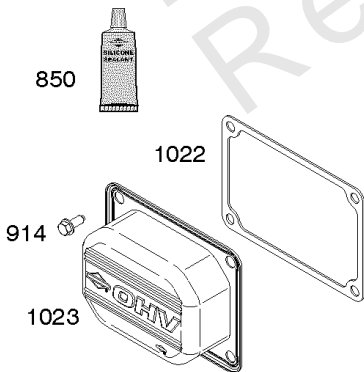
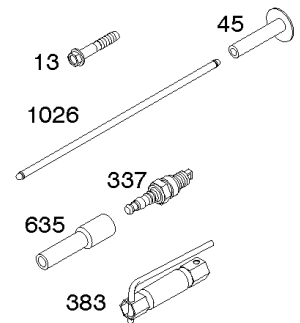
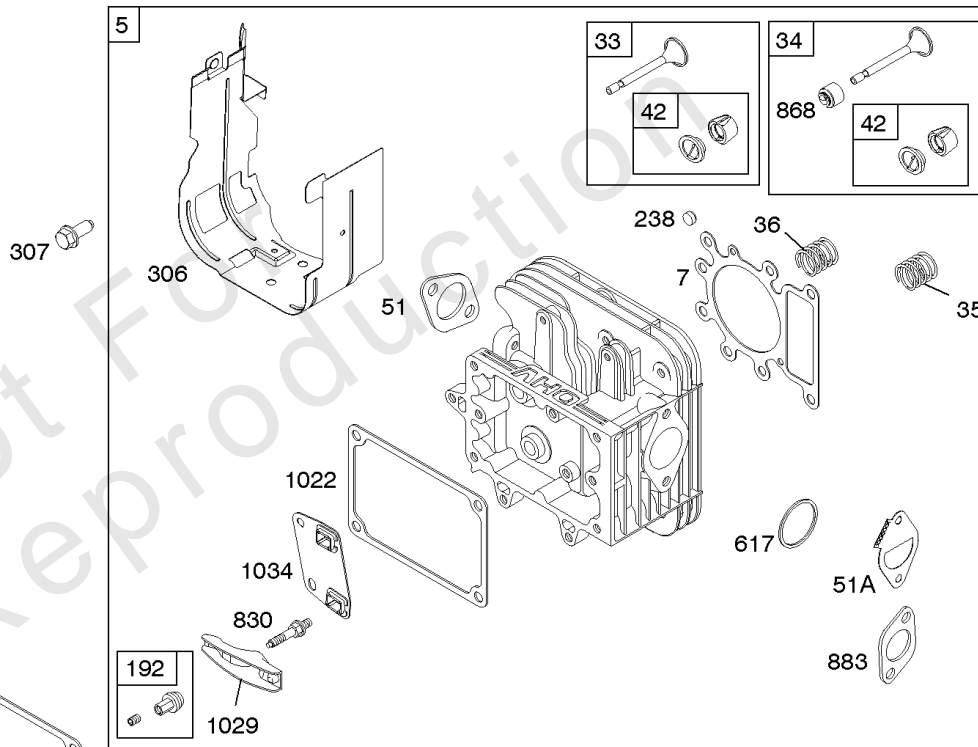
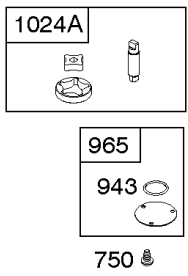
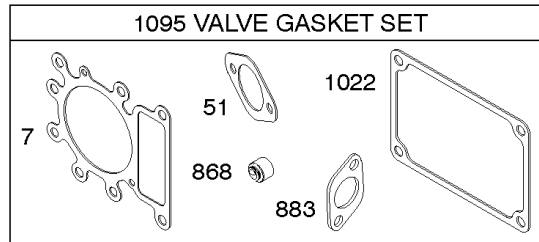
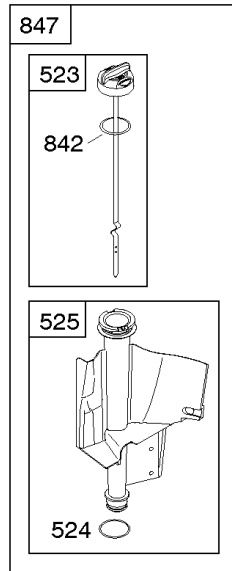
REF NO	PART NO	QTY	DESCRIPTION
188	691693		SCREW -(Control Bracket)
202	691841		LINK, Mechanical Governor
209	690480		SPRING, Governor -Used Before Code Date 05112800
209	792602		SPRING, Governor -Used After Code Date 05112700
222A	694335		BRACKET, Control
227	694339		LEVER, Governor Control
232	691842		SPRING, Governor Link
268	691025		CASING, Control Wire -(Cut To Required Length)
269	691026		WIRE, Control -(Cut To Required Length)
270	691027		NUT -(Control Wire Casing)
271	691028		LEVER, Control
309	693552		MOTOR, Starter
310	691263		BOLT -(Starter Motor) (4 3/8 Housing)
311	497608		SET, Brush
333A	592841		ARMATURE, Magneto
334	691061		SCREW -(Magneto Armature)
356	697397		WIRE, Stop
404	691691		WASHER -(Governor Crank)
462	691261		WASHER -(Starter Cable)
503	691532		STRAP, Starter
505	691251		NUT -(Governor Control Lever)
510	693699		DRIVE, Starter
513	692024		CLUTCH, Drive
521	690581		SHIELD, Cable
562	691119		BOLT -(Governor Control Lever)
579	691029		NUT -(Starter Cable)
614	691620		PIN, Cotter
616	692012		CRANK, Governor
697	791680		SCREW -(Starter Motor) (Drive Cap)
729	691335		CLIP, Wire -(Wire Saddle)
729A	691224		CLIP, Wire -(Aluminum Coated Steel)
783	693713		GEAR, Pinion
797	693167		NUT -(Brush Retainer)
801	691283		CAP, Drive
802	691286		CAP, End
851	692424		TERMINAL, Spark Plug
1051	691265		RING, Retaining
1090	691293		RETAINER, Brush
1448	690260		WASHER -(Magneto Armature)



Not For
Reproduction

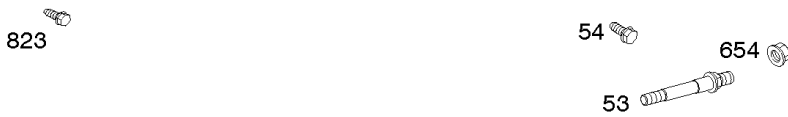
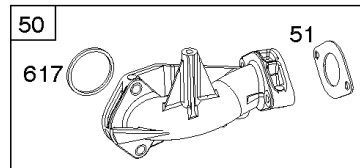
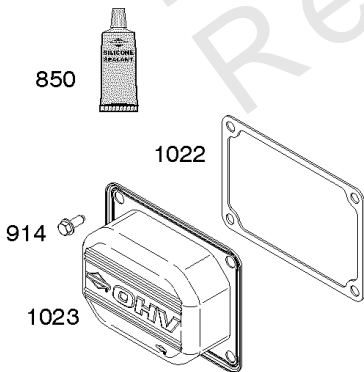
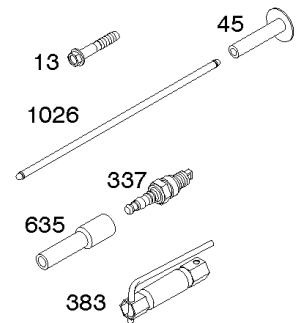
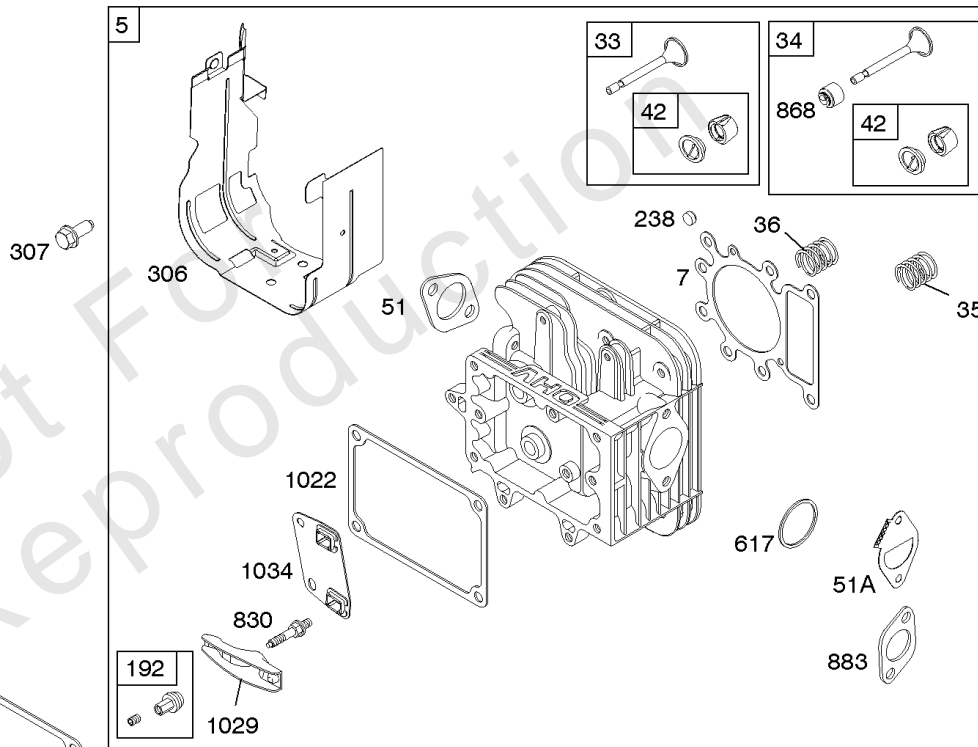
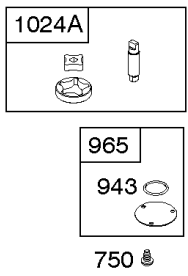
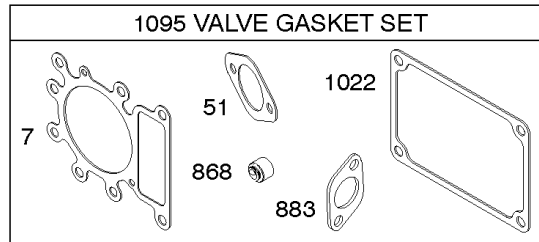
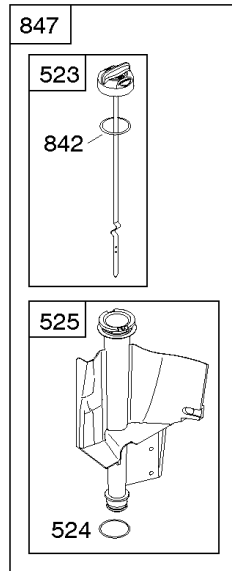
Flywheel

REF NO	PART NO	QTY	DESCRIPTION
23	591759		FLYWHEEL -Used After Code Date 12071700
23	698281		FLYWHEEL -Used Before Code Date 12071800
37	697352		GUARD, Flywheel
73B	697133		SCREEN, Rotating -Used Before Code Date 07040900
74	697897		SCREW -(Rotating Screen)
78	691693		SCREW -(Flywheel Guard)
324	593933		SCREEN/CUP ASSEMBLY -Used After Code Date 07040800
363	19203		PULLER, Flywheel
415A	794129		PLUG -(Cover/Retainer)
563A	799359		SCREW -(Debris Screen Guard)
783	693713		GEAR, Pinion
949A	799358		GUARD, Debris Screen
1005	796083		FAN, Flywheel -Used After Code Date 07040800
1005A	796201		FAN, Flywheel -Used Before Code Date 07040900
1044	698139		SCREW -(Flywheel)
1051	691265		RING, Retaining
1070	791680		SCREW -(Flywheel Fan) -Used Before Code Date 07040900
1070A	690363		SCREW -(Flywheel Fan) -Used After Code Date 07040800 -Used Before Code Date 08061000



Gasket Set - Valve, Lubrication, Valves

REF NO	PART NO	QTY	DESCRIPTION
5	796026		HEAD, Cylinder
7	796584		GASKET, Cylinder Head
13	690360		SCREW -(Cylinder Head) (5/16-18 x 2.25) -Used Before Code Date 07011000
13	592244		SCREW -(Cylinder Head) (5/16-18 x 2.69) -Used After Code Date 07010900
33	792868		VALVE, Exhaust
34	791935		VALVE, Intake
35	691279		SPRING, Valve -(Intake)
36	691279		SPRING, Valve -(Exhaust)
42	499586		KEEPER, Valve
45	690564		TAPPET, Valve
50	591259		MANIFOLD, Intake
51	692137		GASKET, Intake
51A	796081		GASKET, Intake
53	591260		STUD -(Carburetor) -Used After Code Date 11121800
53	690227		STUD -(Carburetor) -Used Before Code Date 11121900
54	691148		SCREW -(Intake Manifold)
192	691986		ADJUSTER, Rocker Arm
238	691843		CAP, Valve
306	592777		SHIELD, Cylinder -Used After Code Date 08042700
306	697107		SHIELD, Cylinder -Used Before Code Date 08042800
307	691693		SCREW -(Cylinder Shield)
337	692051		PLUG, Spark -(Resistor)
383	89838S		WRENCH, Spark Plug
523	699908		DIPSTICK
524	691032		SEAL, O-Ring
525	697184		TUBE, Dipstick
617	692138		SEAL, O-Ring -(Intake Manifold)
635	691909		BOOT, Spark Plug
654	690958		NUT -(Carburetor)
750	790832		SCREW -(Oil Pump Cover)
823	698941		SCREW -(Muffler Adapter)
830	691095		STUD, Rocker Arm
842	691031		SEAL, O-Ring -(Dipstick Tube)
847	790442		DIPSTICK/TUBE ASSEMBLY
850	100106		SEALANT, Liquid -(Rocker Cover Gasket and Breather Gasket)
868	690968		SEAL, Valve



Gasket Set - Valve, Lubrication, Valves

REF NO	PART NO	QTY	DESCRIPTION
883	692236		GASKET, Exhaust
914	691108		SCREW -(Rocker Cover)
943	690589		SEAL, O-Ring -(Oil Pump Cover)
965	499613		COVER, Oil Pump
1022	272475S		GASKET, Rocker Cover -(After Date Code Use Liquid Sealant Reference 850) -Used Before Code Date 07091000
1023	797421		COVER, Rocker
1024A	794644		SHAFT, Pump
1026	692011		ROD, Push -(Exhaust)
1026	692003		ROD, Push -(Intake)
1029	691751		ARM, Rocker
1034	690822		GUIDE, Push Rod
1095	794152		GASKET SET, Valve

Replacement Engine - US & Canada

REF NO	PART NO	QTY	DESCRIPTION
	3197750117	1	Replacement Engine

Not For Reproduction

