



# Parts Manual

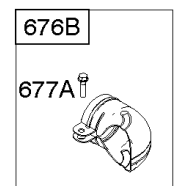
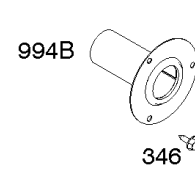
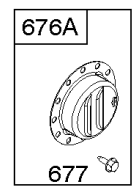
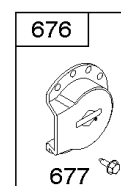
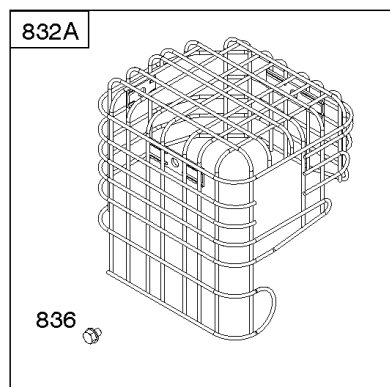
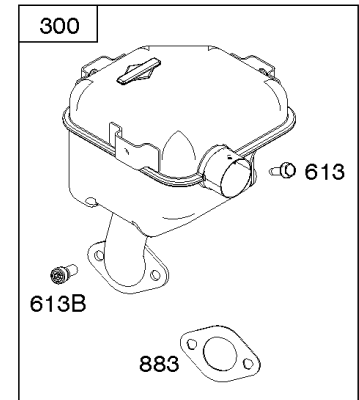
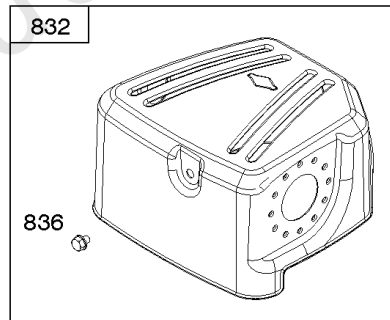
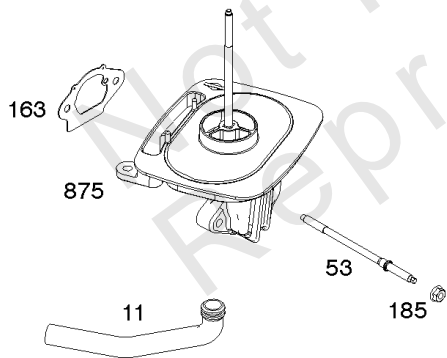
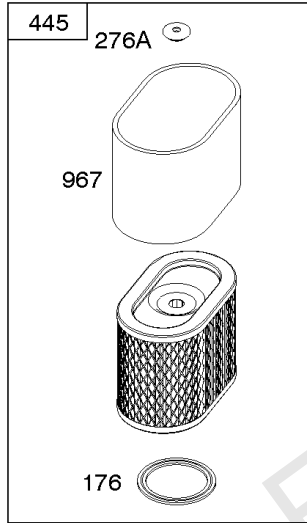
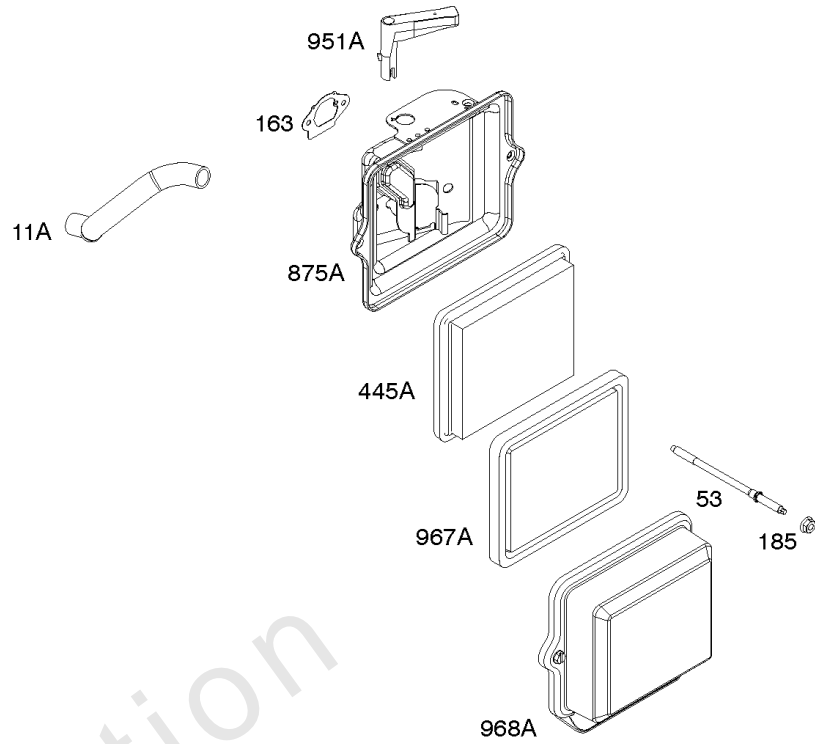
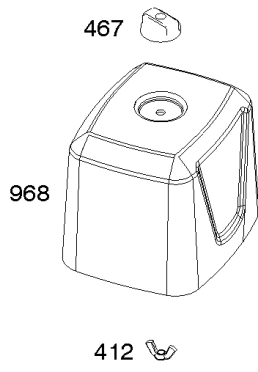
Mfg. No: 19L232-0036-F1



---

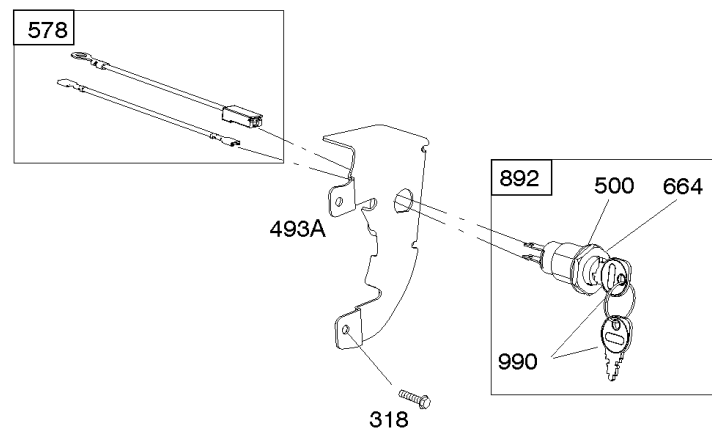
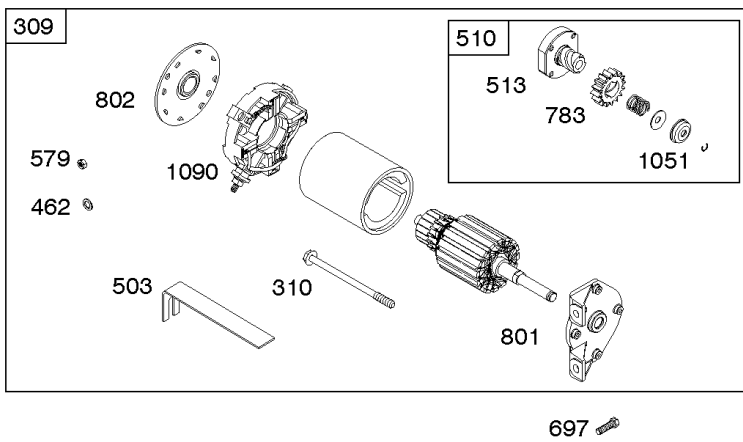
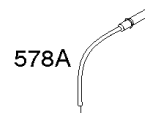
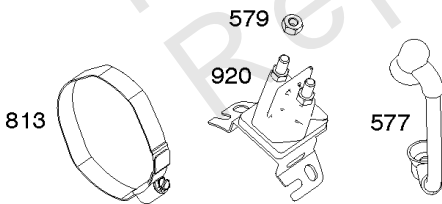
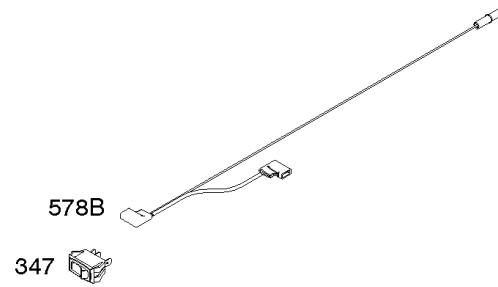
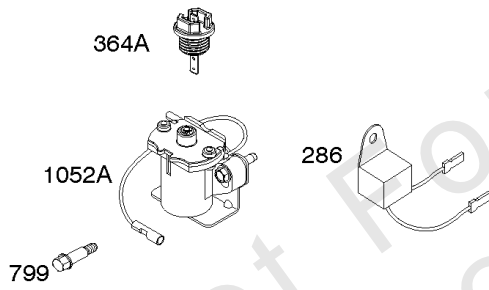
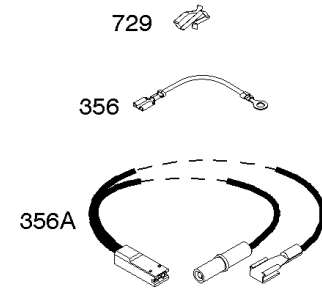
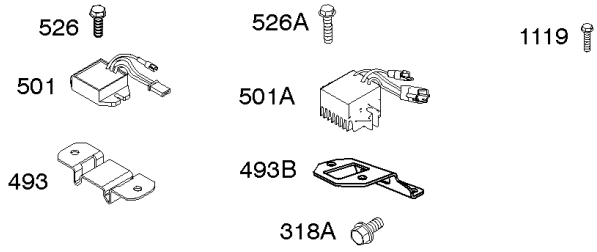
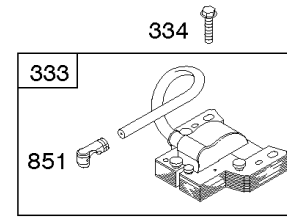
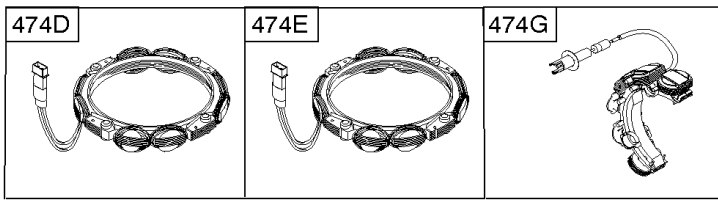
| <b>Model Components</b>  | <b>Page</b> |
|--|-------------|
| Air Cleaner, Exhaust. ....   | 4           |
| Alternator, Ignition, Motor-Starter. ....  | 6           |
| Blower Housing/Shrouds, Flywheel, Rewind Starter. ....                           | 10          |
| Camshaft, Crankshaft, Cylinder, Piston/Rings/Connecting Rod, Warning Label. .... | 12          |
| Carburetor Group. ....   | 14          |
| Controls, Fuel Supply, Governor Spring. ....                                     | 20          |
| Crankcase Cover, Gear Reduction. ....  | 24          |
| Cylinder Head, Gasket Set - Engine, Gasket Set -Valve. ....                      | 26          |
| Replacement Engine - US & Canada. ....   | 28          |

Not For  
Reproduction



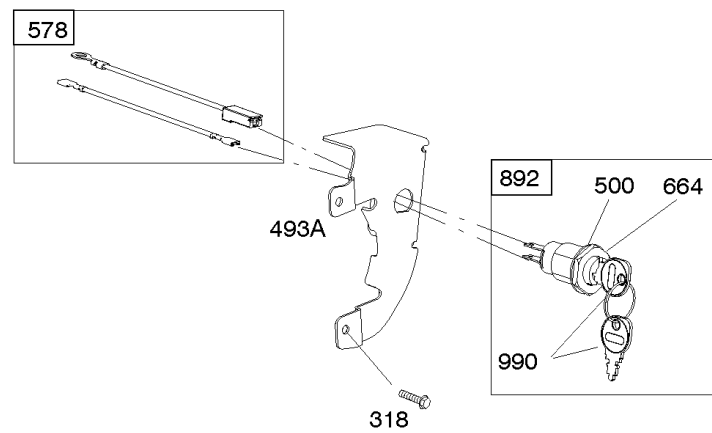
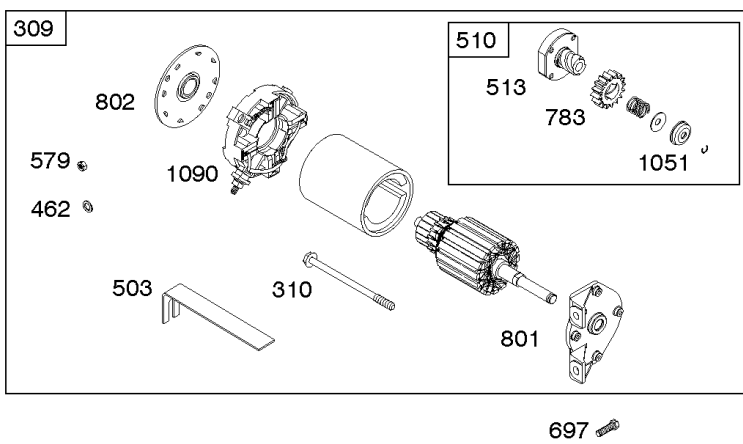
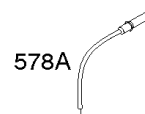
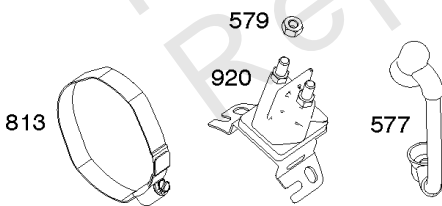
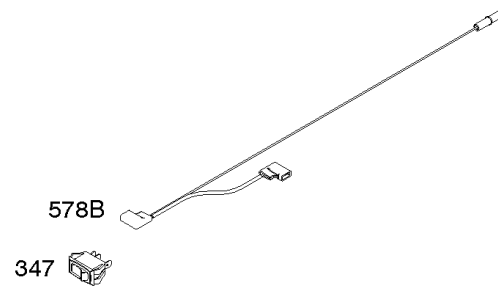
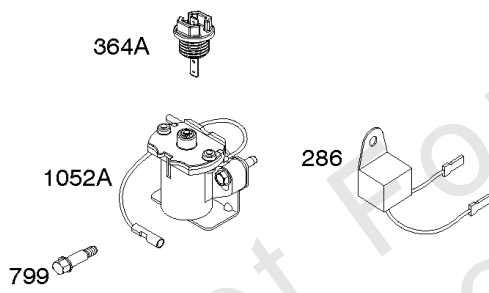
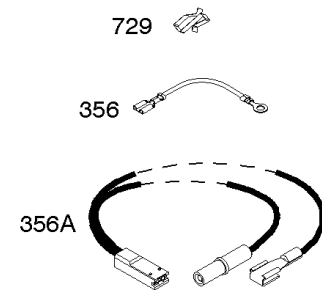
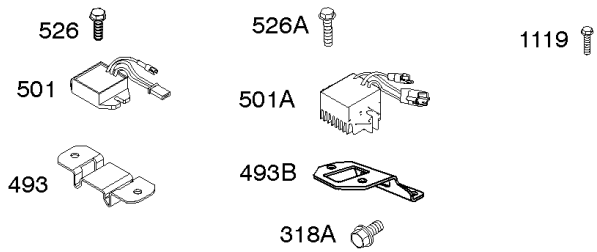
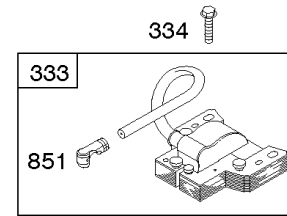
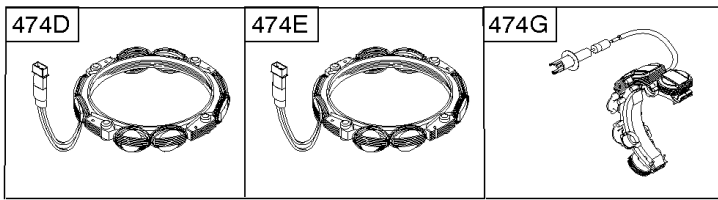
## Air Cleaner, Exhaust

| REF NO | PART NO | QTY | DESCRIPTION                         |
|--------|---------|-----|-------------------------------------|
| 11     | 798964  |     | TUBE, Breather                      |
| 53     | 798988  |     | STUD<br>-(Carburetor)               |
| 163    | 798962  |     | GASKET, Air Cleaner                 |
| 176    | 798965  |     | SEAL, O-Ring<br>-(Air Cleaner Base) |
| 185    | 794838  |     | NUT<br>-(Air Cleaner Base)          |
| 276A   | 798505  |     | WASHER, Sealing<br>-(Air Cleaner)   |
| 300    | 798967  |     | MUFFLER                             |
| 346    | 794845  |     | SCREW<br>-(Spark Arrestor)          |
| 412    | 793443  |     | NUT<br>-(Air Cleaner Cover)         |
| 445    | 797032  |     | FILTER, A/C Cartridge               |
| 467    | 691985  |     | KNOB, Air Cleaner Cover             |
| 613    | 794846  |     | SCREW<br>-(Muffler)                 |
| 613B   | 794844  |     | SCREW<br>-(Muffler)                 |
| 676    | 796956  |     | DEFLECTOR, Muffler                  |
| 676A   | 795336  |     | DEFLECTOR, Muffler<br>-(Louvered)   |
| 676B   | 697816  |     | DEFLECTOR, Muffler                  |
| 677    | 794845  |     | SCREW<br>-(Muffler Deflector)       |
| 677A   | 699776  |     | SCREW<br>-(Muffler Deflector)       |
| 832    | 799041  |     | GUARD, Muffler                      |
| 836    | 593834  |     | SCREW<br>-(Muffler Guard)           |
| 875    | 798966  |     | BASE, Air Cleaner                   |
| 883    | 695398  |     | GASKET, Exhaust                     |
| 967    | 798795  |     | FILTER, Pre Cleaner                 |
| 968    | 798963  |     | COVER, Air Cleaner                  |
| 994B   | 796399  |     | ARRESTOR, Spark                     |



## Alternator, Ignition, Motor-Starter

| REF NO | PART NO | QTY | DESCRIPTION   |
|--------|---------|-----|---|
| 286    | 594800  |     | MODULE, Oil Sensor<br>-Used After Code Date 15042700  |
| 286    | 798796  |     | MODULE, Oil Sensor<br>-Used Before Code Date 15052800 |
| 309    | 695479  |     | MOTOR, Starter  |
| 310    | 690323  |     | BOLT<br>-(Starter Motor)                              |
| 318    | 691693  |     | SCREW<br>-(Mounting Bracket)                          |
| 318A   | 795026  |     | SCREW<br>-(Mounting Bracket)                          |
| 333    | 591459  |     | ARMATURE, Magneto<br>-Used After Code Date 12042200   |
| 333    | 492341  |     | ARMATURE, Magneto<br>-Used Before Code Date 12042300  |
| 334    | 699477  |     | SCREW<br>-(Magneto Armature)                          |
| 356    | 695630  |     | WIRE, Stop  |
| 356A   | 799721  |     | WIRE, Stop  |
| 364A   | 699947  |     | TERMINAL, Oil Plug                                    |
| 462    | 691261  |     | WASHER<br>-(Starter Cable)                            |
| 474D   | 695466  |     | ALTERNATOR<br>-(10 AMP)                               |
| 474E   | 790320  |     | ALTERNATOR<br>-(20 Amp)                               |
| 474G   | 695730  |     | ALTERNATOR<br>-(3 Amp. DC)                            |
| 493    | 691177  |     | BRACKET, Mounting                                     |
| 493A   | 798803  |     | BRACKET, Mounting                                     |
| 493B   | 699048  |     | BRACKET, Mounting                                     |
| 500    | 691086  |     | WASHER<br>-(Key Switch)                               |
| 501    | 797375  |     | REGULATOR<br>-(10 and 16 Amp Regulated)               |
| 501A   | 790325  |     | REGULATOR<br>-(20 Amp)                                |
| 503    | 691532  |     | STRAP, Starter  |
| 510    | 693699  |     | DRIVE, Starter  |
| 513    | 692024  |     | CLUTCH, Drive   |
| 526    | 690297  |     | SCREW<br>-(Regulator) (10-16 Amp Regulated)           |
| 526A   | 690326  |     | SCREW<br>-(Regulator) (20 Amp)                        |
| 577    | 690795  |     | CABLE, Starter  |
| 578    | 798802  |     | WIRE ASSEMBLY   |
| 578A   | 692306  |     | WIRE ASSEMBLY   |
| 578B   | 590689  |     | WIRE ASSEMBLY   |
| 579    | 691029  |     | NUT<br>-(Starter Cable)                               |
| 664    | 691087  |     | NUT<br>-(Key Switch)                                  |
| 697    | 795026  |     | SCREW<br>-(Starter Motor) (Drive Cap)                 |
| 729    | 799133  |     | CLIP, Wire  |
| 783    | 693713  |     | GEAR, Pinion  |
| 799    | 699691  |     | SCREW<br>-(Oil Sensor)                                |





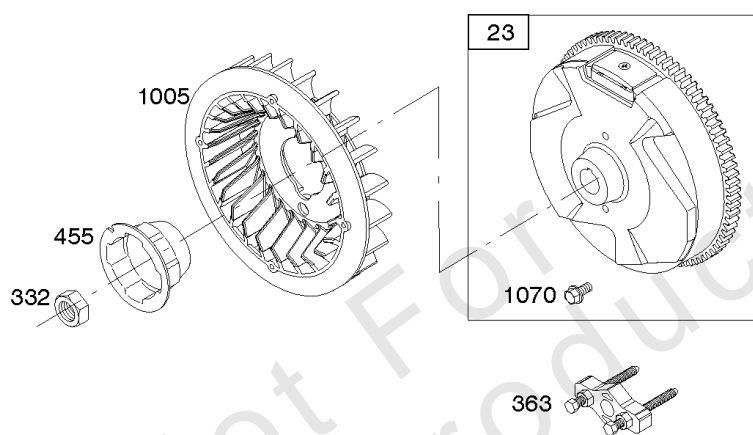
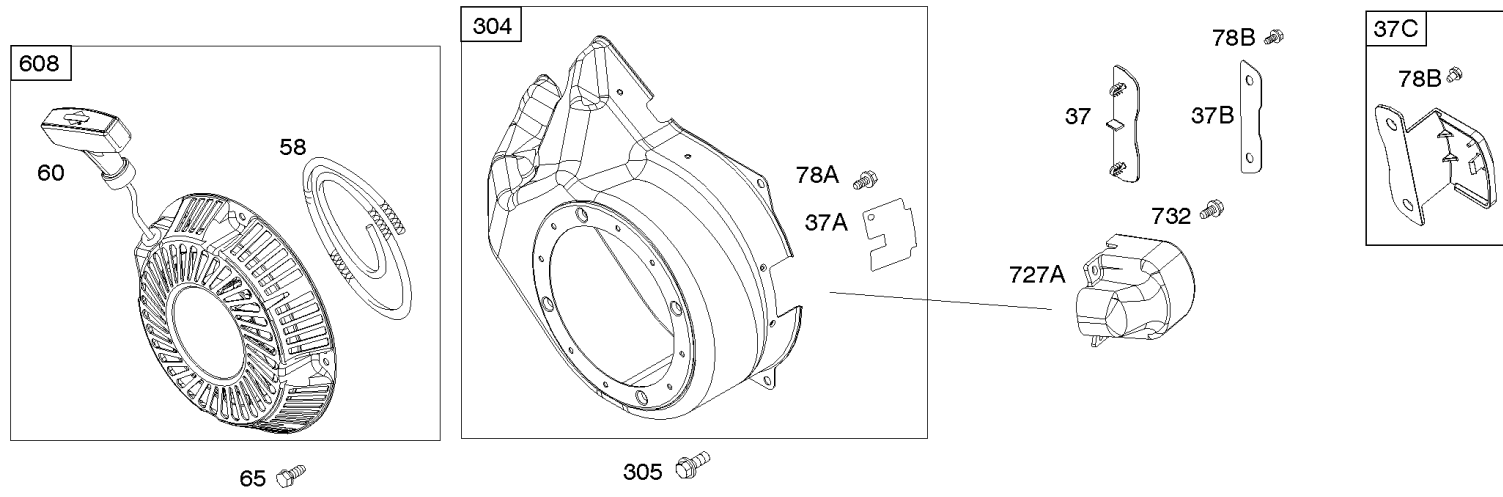
## Alternator, Ignition, Motor-Starter

| REF NO | PART NO | QTY | DESCRIPTION                                    |
|--------|---------|-----|--|
| 801    | 694482  |     | CAP, Drive                                     |
| 802    | 691286  |     | CAP, End                                       |
| 813    | 690635  |     | CLAMP  |
| 851    | 493880S |     | TERMINAL, Spark Plug                           |
| 892    | 690646  |     | SWITCH, Key                                    |
| 920    | 691656  |     | SOLENOID, Starter                              |
| 990    | 691959  |     | SET, Key                                       |
| 1051   | 691265  |     | RING, Retaining                                |
| 1052A  | 794805  |     | SENSOR, Oil<br>-Used After Code Date 14093000  |
| 1052A  | 693805  |     | SENSOR, Oil<br>-Used Before Code Date 14100100 |
| 1090   | 691293  |     | RETAINER, Brush                                |
| 1119   | 699772  |     | SCREW<br>-(Alternator)                         |

Not For Reproduction

# Blower Housing/Shrouds, Flywheel, Rewind Starter

Mfg. No: 19L232-0036-F1



Not For  
Reproduction

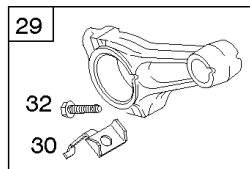
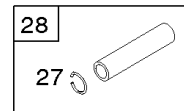
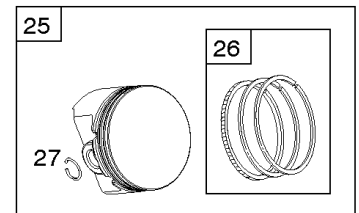
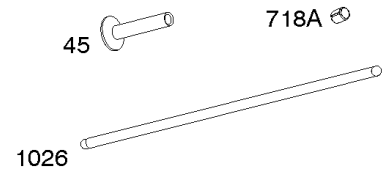
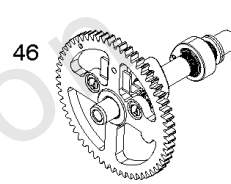
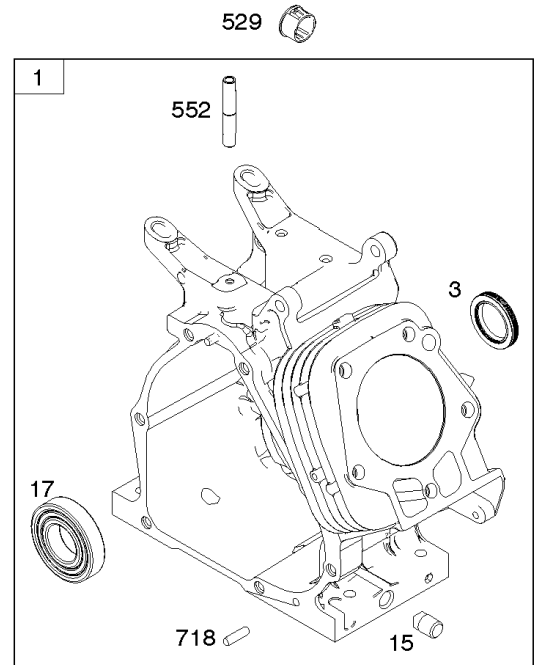
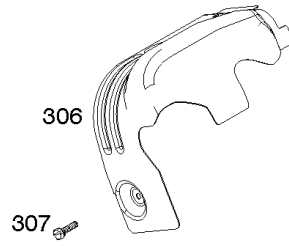
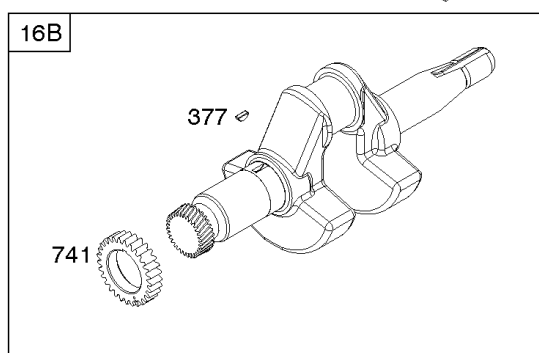
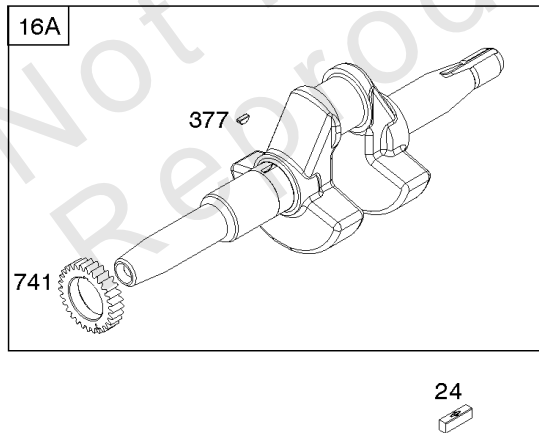
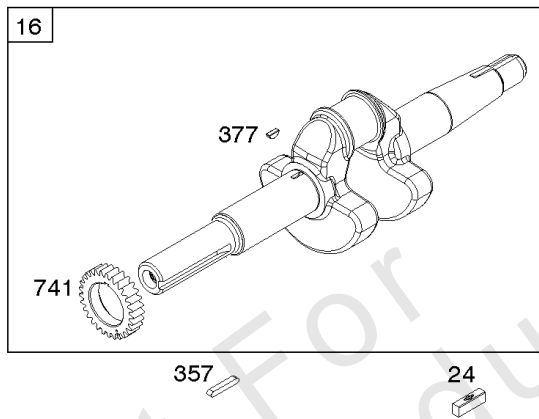
## Blower Housing/Shrouds, Flywheel, Rewind Starter

| REF NO | PART NO | QTY | DESCRIPTION  |
|--------|---------|-----|--|
| 23     | 794814  |     | FLYWHEEL   |
| 37     | 795715  |     | GUARD, Flywheel<br>-(Snap-on)                      |
| 37A    | 699047  |     | GUARD, Flywheel<br>-Used Before Code Date 12080600 |
| 37B    | 790730  |     | GUARD, Flywheel<br>-Used Before Code Date 12080600 |
| 37C    | 591544  |     | GUARD, Flywheel<br>-Used After Code Date 12080500  |
| 58     | 66574   |     | ROPE, Starter<br>-(Cut To Required Length)         |
| 60     | 490652  |     | HANDLE, Starter Rope                               |
| 65     | 699228  |     | SCREW<br>-(Rewind Starter)                         |
| 78A    | 699205  |     | SCREW<br>-(Flywheel Guard)                         |
| 78B    | 795026  |     | SCREW<br>-(Flywheel Guard)                         |
| 304    | 798994  |     | HOUSING, Blower                                    |
| 305    | 699481  |     | SCREW<br>-(Blower Housing)                         |
| 332    | 794824  |     | NUT<br>-(Flywheel)                                 |
| 363    | 19203   |     | PULLER, Flywheel                                   |
| 455    | 794867  |     | CUP, Flywheel                                      |
| 608    | 798825  |     | STARTER, Rewind                                    |
| 727A   | 697465  |     | COVER, Starter Drive                               |
| 732    | 699200  |     | SCREW<br>-(Starter Drive Cover)                    |
| 1005   | 794815  |     | FAN, Flywheel                                      |
| 1070   | 794821  |     | SCREW<br>-(Flywheel Fan)                           |

# Camshaft, Crankshaft, Cylinder, Piston/Rings/Connecting Rod, Warning Label

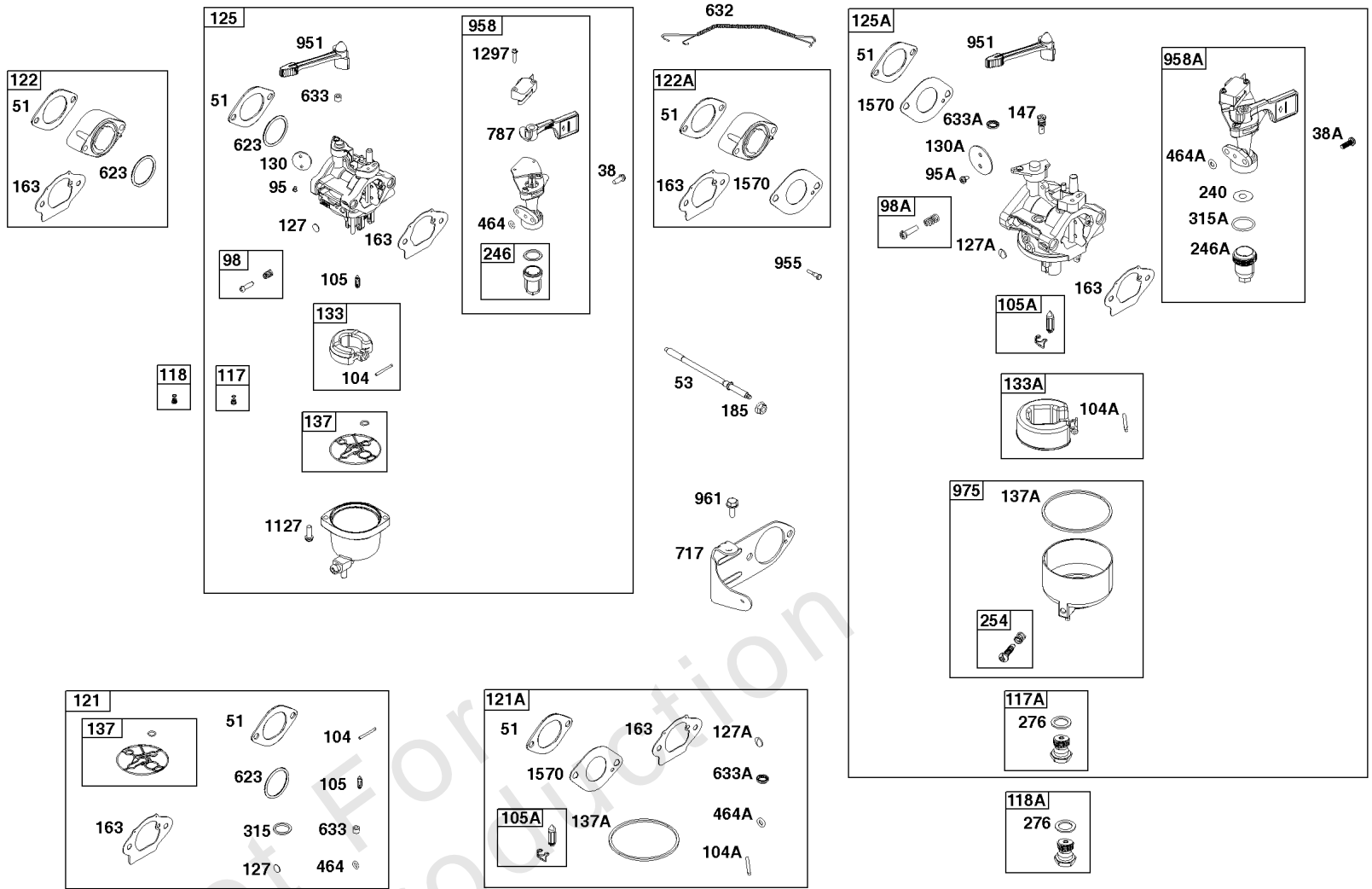
Mfg. No: 19L232-0036-F1

- 1036 EMISSIONS LABEL
- 1319 WARNING LABEL
- 1319A WARNING LABEL



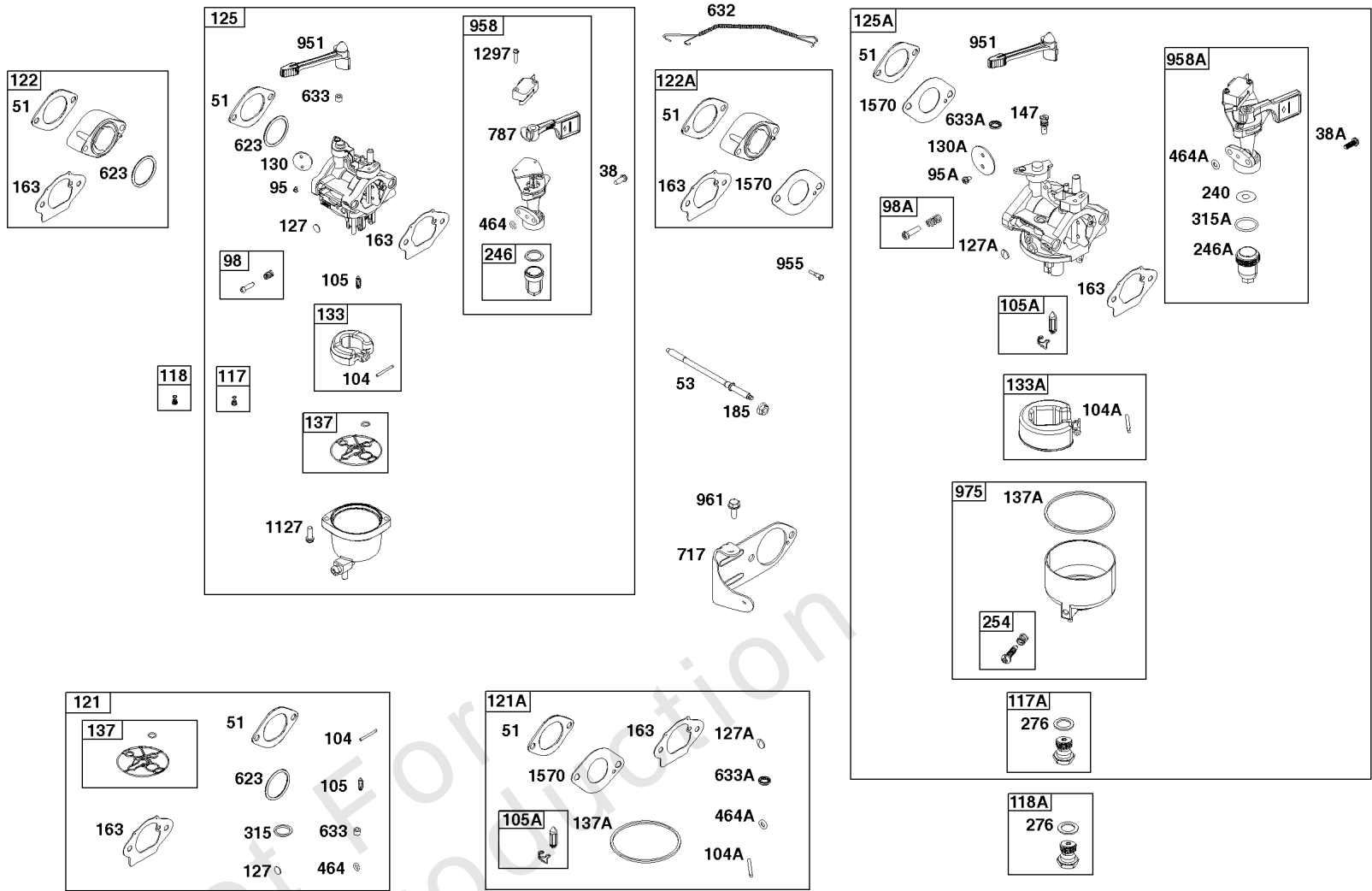
## Camshaft, Crankshaft, Cylinder, Piston/Rings/Connecting Rod, Warning Label

| REF NO | PART NO | QTY | DESCRIPTION   |
|--------|---------|-----|---|
| 1      | 799046  |     | CYLINDER ASSEMBLY   |
| 3      | 798991  |     | SEAL, Oil<br>-(Magneto Side)  |
| 15     | 691686  |     | PLUG, Oil Drain   |
| 16     | 590368  |     | CRANKSHAFT  |
| 17     | 798993  |     | BEARING, Ball   |
| 24     | 222698S |     | KEY, Flywheel   |
| 25     | 792117  |     | PISTON ASSEMBLY<br>-(Standard)  |
| 25     | 792144  |     | PISTON ASSEMBLY<br>-(.020 Oversize)   |
| 26     | 792073  |     | SET, Ring<br>-(.020" Oversize)  |
| 26     | 792026  |     | SET, Ring<br>-(Standard)  |
| 27     | 690975  |     | LOCK, Piston Pin  |
| 28     | 696581  |     | PIN, Piston<br>-(Standard)  |
| 29     | 694691  |     | ROD, Connecting   |
| 30     | 694692  |     | DIPPER, Connecting Rod  |
| 32     | 690976  |     | SCREW<br>-(Connecting Rod)  |
| 45     | 690977  |     | TAPPET, Valve   |
| 46     | 795697  |     | CAMSHAFT  |
| 306    | 798992  |     | SHIELD, Cylinder  |
| 307    | 794822  |     | SCREW<br>-(Cylinder Shield)   |
| 309    | 695479  |     | MOTOR, Starter  |
| 357    | 590960  |     | KEY, Drive Pulley   |
| 357    | 591054  |     | KEY, Drive Pulley   |
| 377    | 690979  |     | KEY, Woodruff<br>-Used After Code Date 11103100                             |
| 377    | 798972  |     | KEY, Woodruff<br>-Used Before Code Date 11110100                            |
| 529    | 791822  |     | GROMMET   |
| 552    | 694674  |     | BUSHING, Governor Crank   |
| 718    | 690959  |     | PIN, Locating<br>-(Cylinder Head)   |
| 718A   | 695178  |     | PIN, Locating<br>-(Head)  |
| 741    | 691288  |     | GEAR, Timing  |
| 1026   | 592673  |     | ROD, Push   |
| 1036   | -----   |     | LABEL, Emissions<br>-(Available From A Briggs & Stratton Authorized Dealer) |
| 1319   | 794467  |     | LABEL, Warning  |
| 1319A  | 797669  |     | LABEL, Warning  |



## Carburetor Group

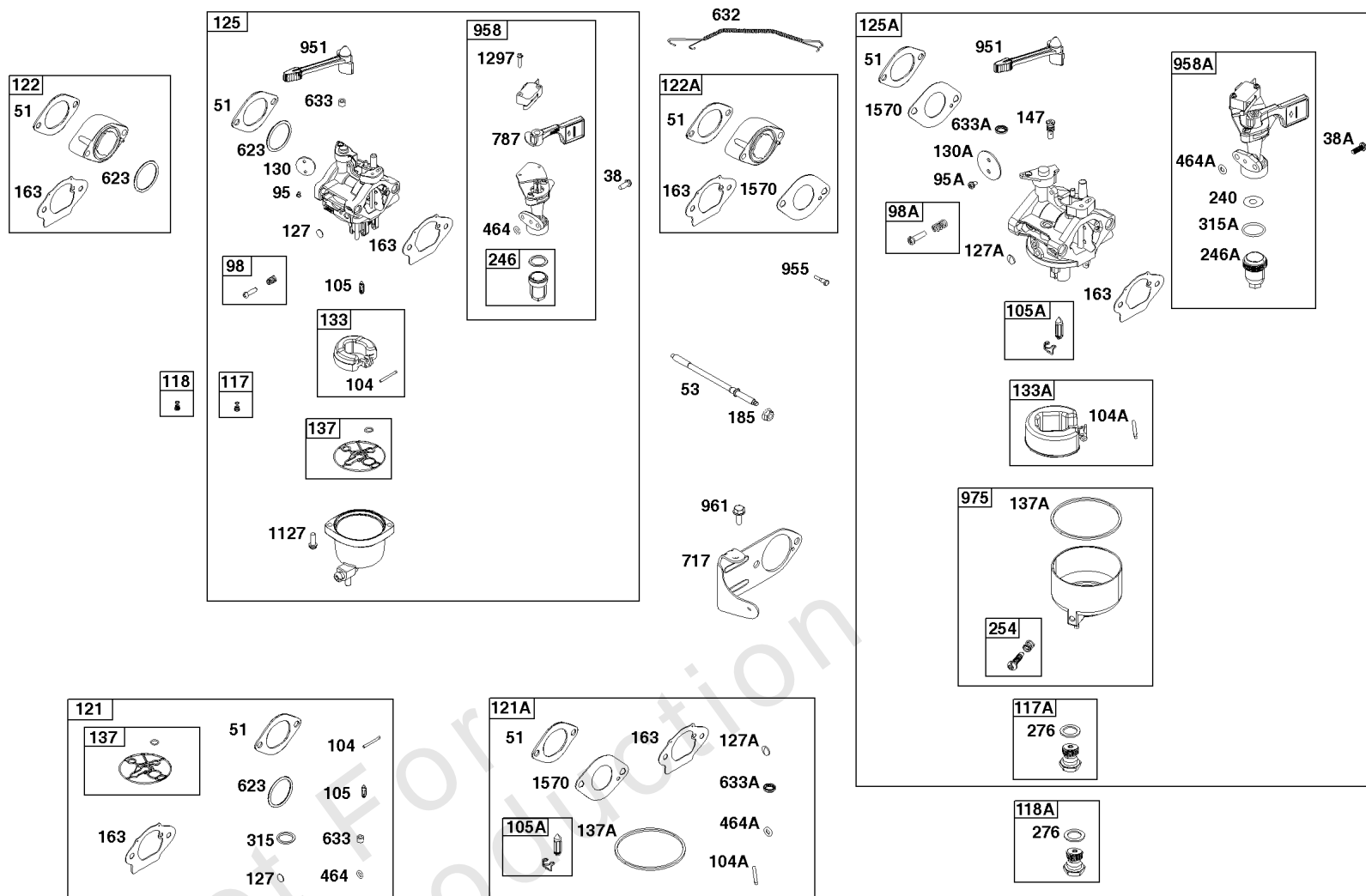
| REF NO | PART NO  | QTY | DESCRIPTION   |
|--------|----------|-----|---|
| 38     | 698557   | 2   | SCREW<br>-(Fuel Shut Off Valve)<br>-Used Before Code Date 18112600  |
| 38A    | 595328   | 2   | SCREW<br>-(Fuel Shut Off Valve)<br>-Used After Code Date 18112500   |
| 51     | -----    | 1   | GASKET, Intake<br>-(Part information located in Cylinder Head Group.)   |
| 53     | 798988   | 2   | STUD<br>-(Carburetor)   |
| 95     | 690718   | 2   | SCREW<br>-(Throttle Valve)<br>-Used Before Code Date 18112600   |
| 95A    | 797161   | 2   | SCREW<br>-(Throttle Valve)<br>-Used After Code Date 18112500  |
| 98     | 695408   | 1   | KIT, Idle Speed<br>-Used Before Code Date 18112600  |
| 98A    | 847139   | 1   | KIT, Idle Speed<br>-Used After Code Date 18112500   |
| 104    | 694918   | 1   | PIN, Float Hinge<br>-Used Before Code Date 18112600   |
| 104A   | 597533   | 1   | PIN, Float Hinge<br>-Used After Code Date 18112500  |
| 105    | 696136   | 1   | VALVE, Float Needle<br>-Used Before Code Date 18112600  |
| 105A   | 84004840 | 1   | VALVE, Float Needle<br>-Used After Code Date 18112500   |
| 117    | 698788   | 1   | JET, Main<br>-(Standard)<br>-Used Before Code Date 18112600   |
| 117A   | 84004489 | 1   | JET, Main<br>-(Standard)<br>-Used After Code Date 18112500  |
| 118    | 799134   | 1   | JET, Main<br>-(High Altitude)<br>-Used Before Code Date 18112600  |
| 118A   | 84004744 | 1   | JET, Main<br>-(High Altitude)<br>-Used After Code Date 18112500   |
| 121    | 799722   | 1   | KIT, Carburetor Overhaul<br>-(Service Kits may include extra parts not specific to this engine.)<br>-Used Before Code Date 18112600 |
| 121A   | 84004975 | 1   | KIT, Carburetor Overhaul<br>-(Service Kits may include extra parts not specific to this engine.)<br>-Used After Code Date 18112500  |
| 122    | 799766   | 1   | SPACER, Carburetor<br>-Used Before Code Date 18112600   |
| 122A   | 84004776 | 1   | SPACER, Carburetor<br>-Used After Code Date 17112000  |
| 125    | 799060   | 1   | CARBURETOR<br>-Used Before Code Date 18112600   |
| 125A   | 84003204 | 1   | CARBURETOR<br>-Used After Code Date 18112500  |
| 127    | 690727   | 1   | PLUG, Welch<br>-Used Before Code Date 18112600  |
| 127A   | 84004841 | 1   | PLUG, Welch<br>-Used After Code Date 18112500   |
| 130    | 696139   | 1   | VALVE, Throttle<br>-Used Before Code Date 18112600  |
| 130A   | 84004397 | 1   | VALVE, Throttle<br>-Used After Code Date 18112500   |





## Carburetor Group

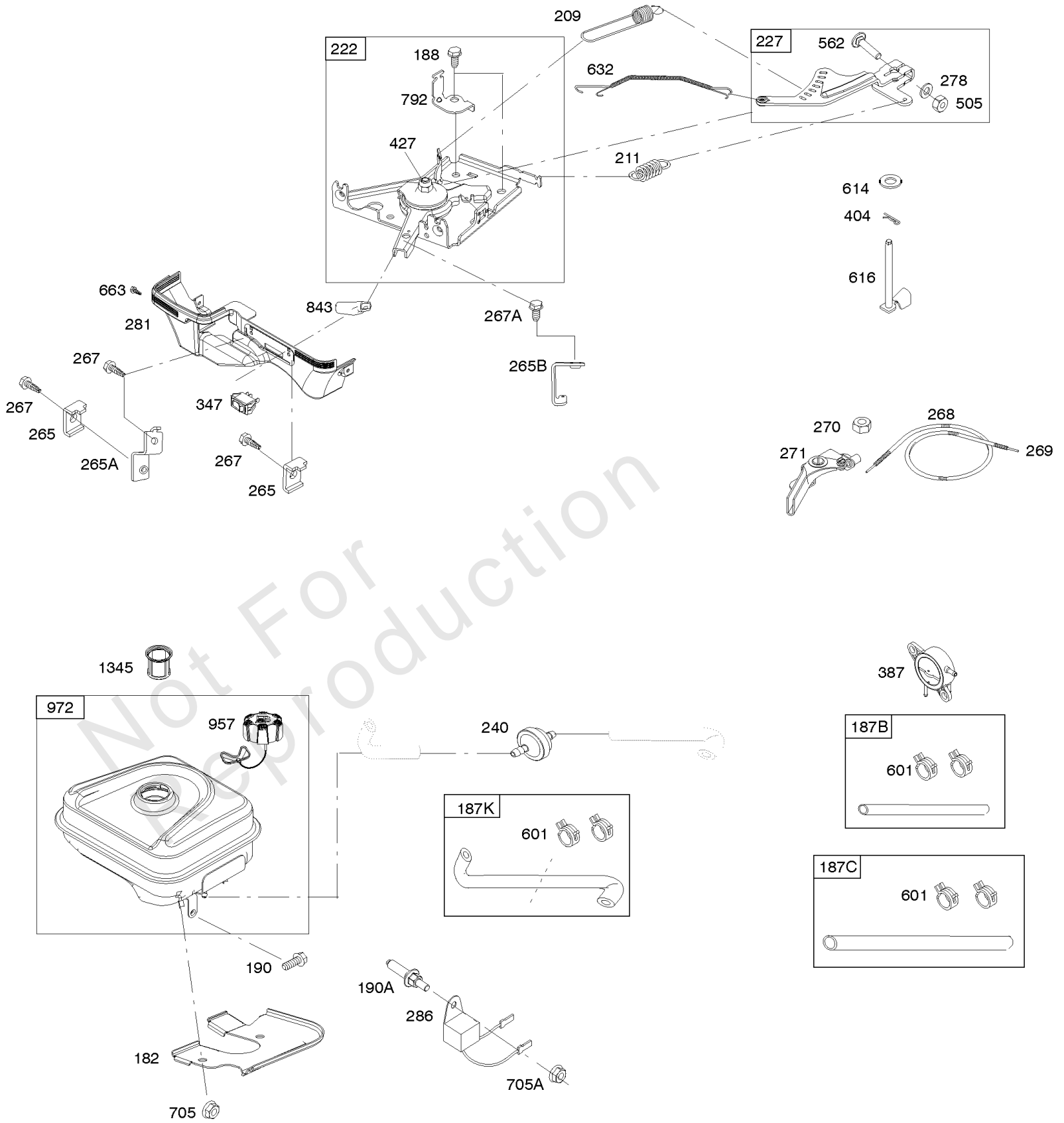
| REF NO | PART NO  | QTY | DESCRIPTION  |
|--------|----------|-----|--|
| 133    | 694914   | 1   | FLOAT, Carburetor<br>-Used Before Code Date 18112600                               |
| 133A   | 84004490 | 1   | FLOAT, Carburetor<br>-Used After Code Date 18112500                                |
| 137    | 799991   | 1   | GASKET, Float Bowl<br>-Used Before Code Date 18112600                              |
| 137A   | 84004205 | 1   | GASKET, Float Bowl<br>-Used After Code Date 18112500                               |
| 147    | 594872   | 1   | JET, Pilot<br>-Used After Code Date 18112500                                       |
| 163    | 798962   | 1   | GASKET, Air Cleaner  |
| 185    | 794838   | 2   | NUT<br>-(Air Cleaner Base)   |
| 240    | 597039   | 1   | FILTER, Fuel<br>-Used After Code Date 18112500                                     |
| 246    | 595153   | 1   | BOWL, Fuel Filter<br>-Used Before Code Date 18112600                               |
| 246A   | 597043   | 1   | BOWL, Fuel Filter<br>-Used After Code Date 18112500                                |
| 254    | 595322   | 1   | DRAIN, Carburetor Bowl<br>-Used After Code Date 18112500                           |
| 276    | 84004488 | 1   | WASHER, Sealing<br>-Used After Code Date 18112500                                  |
| 315    | 799035   | 1   | SEAL, O-Ring<br>-(Fuel Filter Bowl)<br>-Used Before Code Date 18112600             |
| 315A   | 597735   | 1   | GASKET, Fuel Bowl<br>-(Fuel Filter Bowl)<br>-Used After Code Date 18112500         |
| 464    | 698550   | 1   | SEAL, O-Ring<br>-(Fuel Shut-off Valve)<br>-Used Before Code Date 18112600          |
| 464A   | 595320   | 1   | SEAL, O-Ring<br>-(Fuel Shut-off Valve)<br>-Used After Code Date 18112500           |
| 623    | 799051   | 1   | SEAL, O-Ring<br>-(Carburetor Spacer)<br>-Used Before Code Date 18112600            |
| 632    | -----    | 1   | SPRING/LINK, Mechanical Governor<br>-(Part information located in Controls Group.) |
| 633    | 690722   | 1   | SEAL, Choke/Throttle Shaft<br>-Used Before Code Date 18112600                      |
| 633A   | 84004398 | 1   | SEAL, Choke/Throttle Shaft<br>-Used After Code Date 18112500                       |
| 717    | 798989   | 1   | BRACKET, Air Cleaner<br>-Used Before Code Date 18112600                            |
| 717    | 84004868 | 1   | BRACKET, Air Cleaner<br>-Used After Code Date 18112500                             |
| 787    | 798635   | 1   | ARM, Lever<br>-Used Before Code Date 18112600                                      |
| 951    | 798528   | 1   | LEVER, Choke   |
| 955    | 595329   | 1   | PLUG, Carburetor<br>-Used After Code Date 18112500                                 |
| 958    | 799073   | 1   | VALVE, Fuel Shut Off<br>-Used Before Code Date 18112600                            |
| 958A   | 84004839 | 1   | VALVE, Fuel Shut Off<br>-Used After Code Date 18112500                             |
| 961    | 699691   | 1   | SCREW<br>-(Air Cleaner Bracket)  |
| 975    | 84004204 | 1   | BOWL, Float<br>-Used After Code Date 18112500                                      |



## ***Carburetor Group***

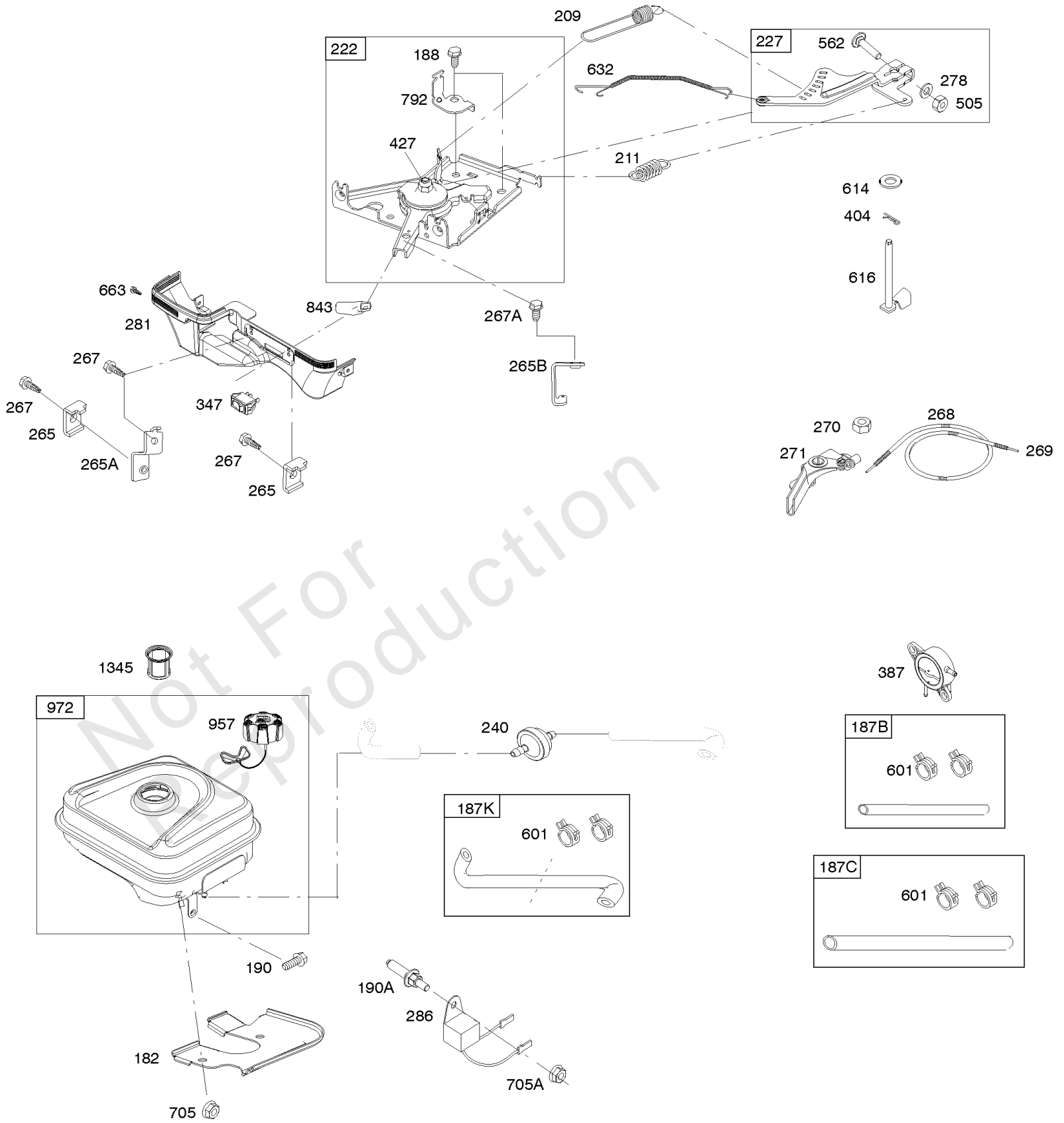
| <b>REF NO</b> | <b>PART NO</b> | <b>QTY</b> | <b>DESCRIPTION</b>   |
|---------------|----------------|------------|--|
| 1127          | 695407         | 2          | SCREW<br>-(Float Bowl to Carburetor Body)<br>-Used Before Code Date 18112600 |
| 1297          | 798637         | 2          | SCREW<br>-Used Before Code Date 18112600                                     |
| 1570          | 84005011       | 1          | GASKET, Spacer<br>-Used After Code Date 17112000                             |

Not For Reproduction



## Controls, Fuel Supply, Governor Spring

| REF NO | PART NO | QTY | DESCRIPTION   |
|--------|---------|-----|---|
| 182    | 799735  |     | BRACKET, Fuel Tank                                      |
| 187B   | 791766  |     | LINE, Fuel<br>-(15 Inches Long)(Cut to Required Length) |
| 187C   | 791745  |     | LINE, Fuel<br>-(23 Inches )(Cut To Required Length)     |
| 187K   | 799059  |     | LINE, Fuel<br>-(Formed)(Cut To Required Length)         |
| 188    | 699479  |     | SCREW<br>-(Control Bracket)                             |
| 190    | 798496  |     | SCREW<br>-(Fuel Tank)                                   |
| 190A   | 799725  |     | SCREW<br>-(Fuel Tank) (Used with Oil Sensor Module)     |
| 209    | 798959  |     | SPRING, Governor  |
| 211    | 798960  |     | SPRING, Governed Idle                                   |
| 222    | 798478  |     | BRACKET, Control  |
| 227    | 799049  |     | LEVER, Governor Control                                 |
| 240    | 394358S |     | FILTER, Fuel  |
| 265    | 691024  |     | CLAMP, Casing   |
| 265A   | 591740  |     | CLAMP, Casing   |
| 265B   | 591741  |     | CLAMP, Casing   |
| 267    | 699492  |     | SCREW<br>-(Casing Clamp)                                |
| 267A   | 699228  |     | SCREW<br>-(Casing Clamp)                                |
| 268    | 691025  |     | CASING, Control Wire<br>-(Cut To Required Length)       |
| 269    | 691026  |     | WIRE, Control<br>-(Cut To Required Length)              |
| 270    | 691027  |     | NUT<br>-(Control Wire Casing)                           |
| 271    | 691028  |     | LEVER, Control  |
| 278    | 798196  |     | WASHER<br>-(Governor Control Lever)                     |
| 281    | 798961  |     | PANEL, Control  |
| 286    | 594800  |     | MODULE, Oil Sensor<br>-Used After Code Date 15042700    |
| 286    | 798796  |     | MODULE, Oil Sensor<br>-Used Before Code Date 15052800   |
| 387    | 808656  |     | PUMP, Fuel  |
| 404    | 795759  |     | WASHER<br>-(Governor Crank)                             |
| 427    | 798458  |     | NUT<br>-(Control Bracket)                               |
| 505    | 793515  |     | NUT<br>-(Governor Control Lever)                        |
| 562    | 798197  |     | BOLT<br>-(Governor Control Lever)                       |
| 601    | 791850  |     | CLAMP, Hose   |
| 614    | 691620  |     | PIN, Cotter<br>-(Governor Crank)                        |
| 616    | 795758  |     | CRANK, Governor   |
| 632    | 799083  |     | SPRING/LINK, Mechanical Governor                        |
| 663    | 699492  |     | SCREW<br>-(Control Panel)                               |
| 705    | 690941  |     | NUT<br>-(Fuel Tank)                                     |



## ***Controls, Fuel Supply, Governor Spring***

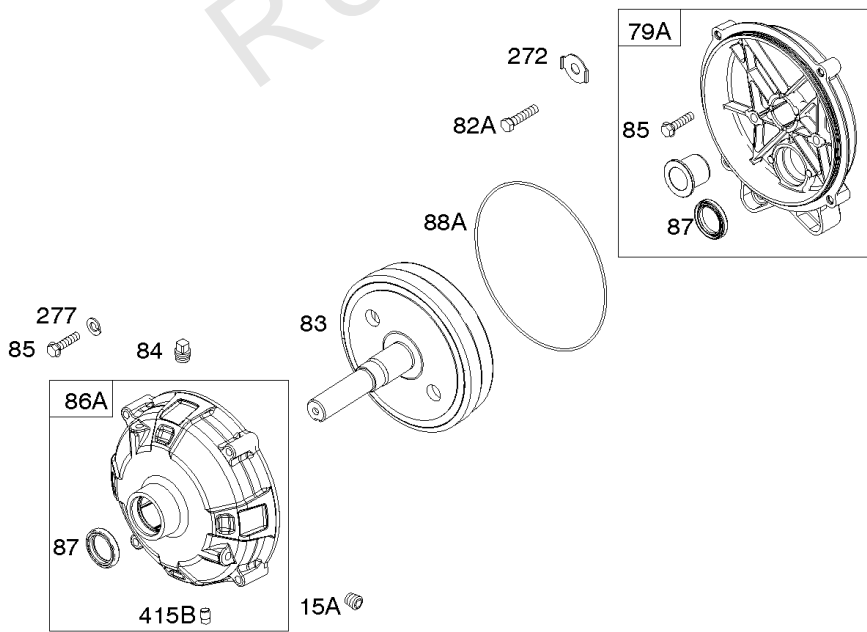
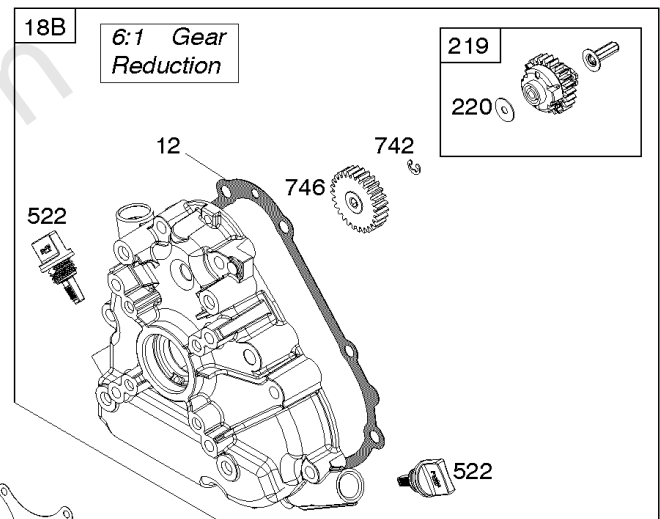
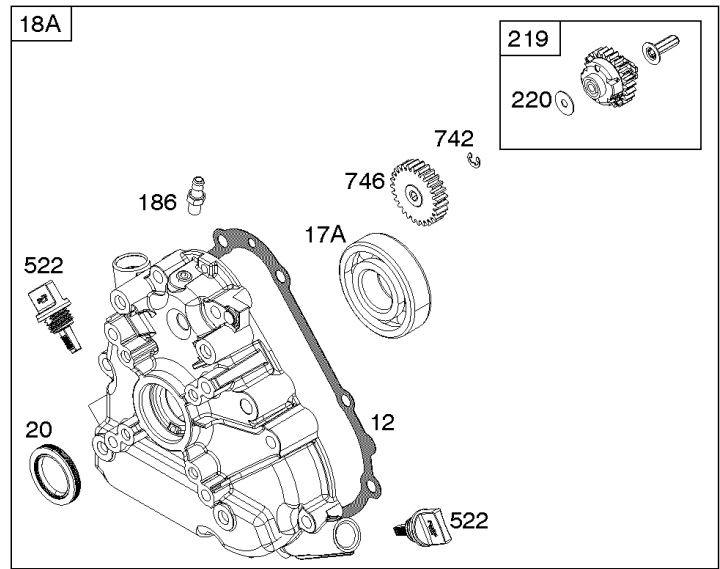
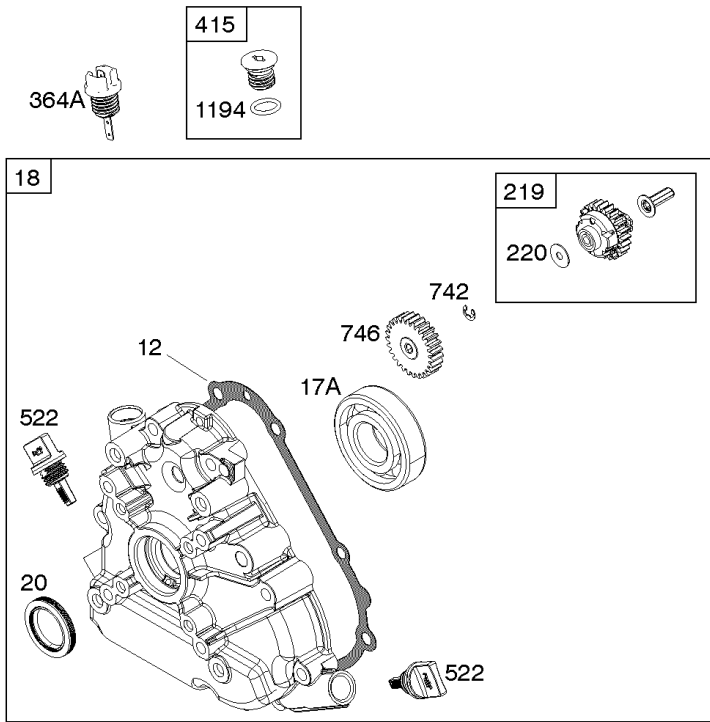
---

| <b>REF NO</b> | <b>PART NO</b> | <b>QTY</b> | <b>DESCRIPTION</b>                                |
|---------------|----------------|------------|---|
| 705A          | 794838         |            | NUT<br>-(Fuel Tank) (Used with Oil Sensor Module) |
| 792           | 798550         |            | BRACKET, Fixed Speed                              |
| 843           | 695588         |            | SLEEVE, Lever                                     |
| 957           | 799324         |            | CAP, Fuel Tank                                    |
| 972           | 799986         |            | TANK, Fuel  |
| 1345          | 792917         |            | FILTER, Filler Neck                               |

Not For Reproduction

# Crankcase Cover, Gear Reduction

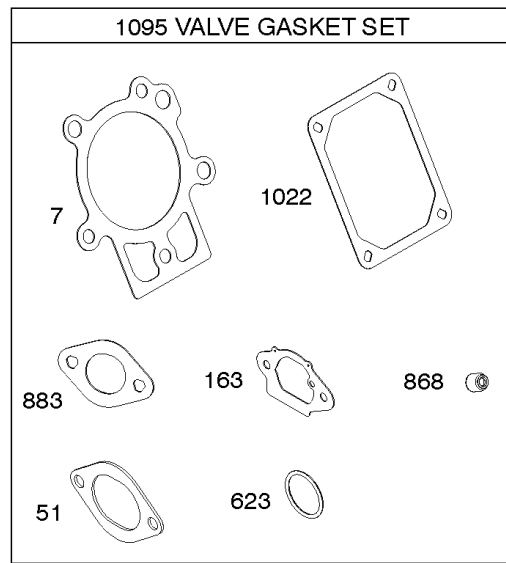
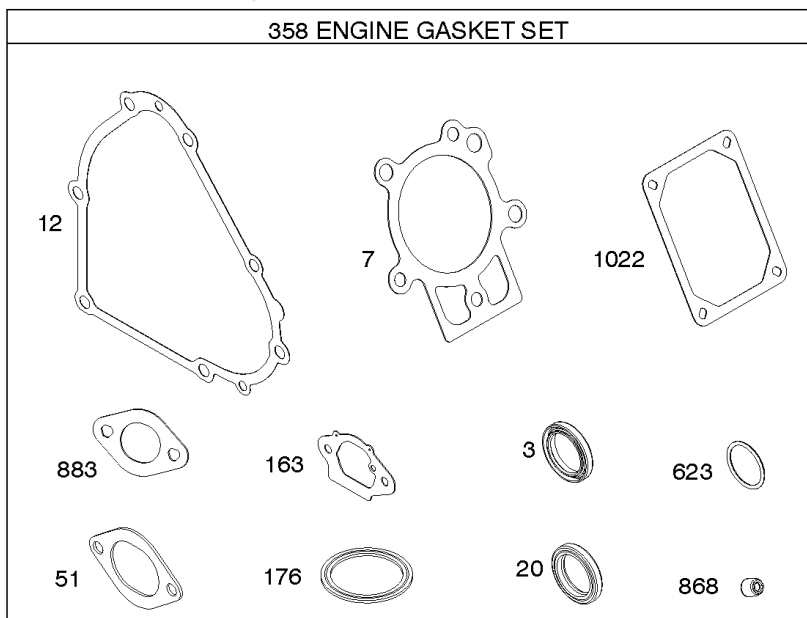
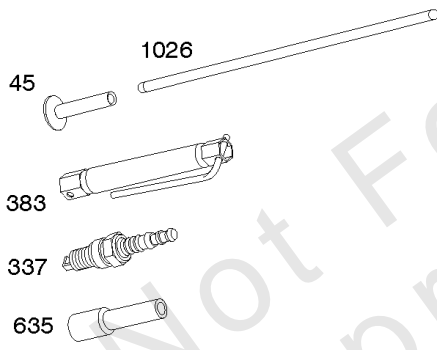
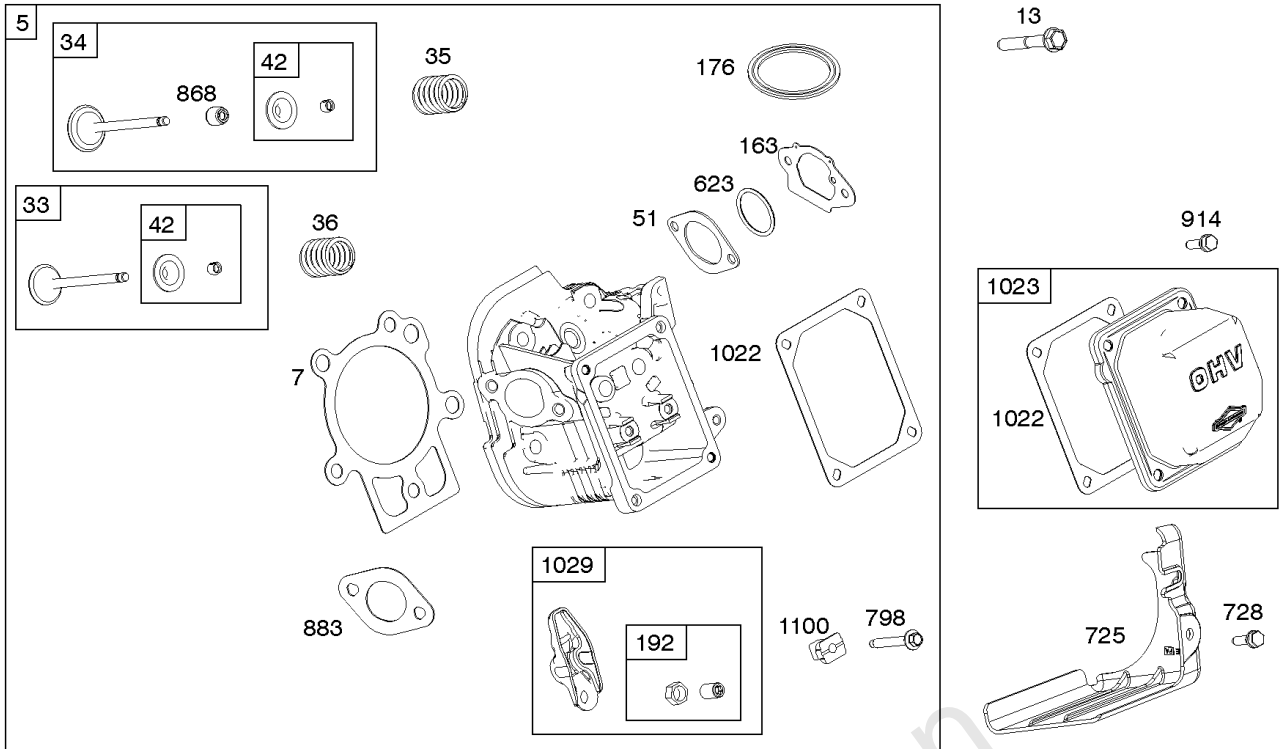
Mfg. No: 19L232-0036-F1





## Crankcase Cover, Gear Reduction

| REF NO | PART NO | QTY | DESCRIPTION                              |
|--------|---------|-----|--|
| 12     | 798807  |     | GASKET, Crankcase                        |
| 15A    | 691682  |     | PLUG, Oil Drain                          |
| 17A    | 798995  |     | BEARING, Ball                            |
| 18     | 799084  |     | COVER, Crankcase                         |
| 20     | 798991  |     | SEAL, Oil<br>-(PTO Side)                 |
| 22     | 798955  |     | SCREW<br>-(Crankcase Cover/Sump)         |
| 79A    | 794816  |     | CASE, Gear Reduction                     |
| 80A    | 793588  |     | GASKET, Gear Case                        |
| 82A    | 594700  |     | SCREW<br>-(Gear Reduction Case)          |
| 83     | 690387  |     | SHAFT, Auxiliary Drive                   |
| 84     | 691121  |     | PLUG, Breather                           |
| 85     | 794820  |     | SCREW<br>-(Gear Cover)                   |
| 86A    | 793591  |     | COVER, Gear                              |
| 87     | 391086S |     | SEAL, Oil                                |
| 88A    | 793589  |     | GASKET, Gear Cover/Housing               |
| 170    | 794833  |     | STUD<br>-(Crankcase Cover/Sump)          |
| 186    | 691764  |     | CONNECTOR, Hose<br>-(Pulse Line)         |
| 219    | 693578  |     | GEAR, Governor                           |
| 220    | 691724  |     | WASHER<br>-(Governor Gear)               |
| 272    | 691168  |     | LOCK, Screw Head                         |
| 277    | 794842  |     | WASHER<br>-(Gear Case To Gear Reduction) |
| 364A   | 699947  |     | TERMINAL, Oil Plug                       |
| 415    | 691363  |     | PLUG                                     |
| 415B   | 794903  |     | PLUG                                     |
| 522    | 798503  |     | PLUG, Dipstick/Fill                      |
| 742    | 692564  |     | RETAINER, E Ring                         |
| 746    | 694679  |     | GEAR, Idler                              |
| 1194   | 691876  |     | SEAL, O-Ring<br>-(Plug)                  |



## Cylinder Head, Gasket Set - Engine, Gasket Set -Valve

| REF NO | PART NO | QTY | DESCRIPTION  |
|--------|---------|-----|--|
| 3      | 798991  |     | SEAL, Oil<br>-(Magneto Side)   |
| 5      | 799858  |     | HEAD, Cylinder   |
| 7      | 694872  |     | GASKET, Cylinder Head  |
| 12     | 798807  |     | GASKET, Crankcase  |
| 13     | 794829  |     | SCREW<br>-(Cylinder Head)  |
| 20     | 798991  |     | SEAL, Oil<br>-(PTO Side)   |
| 33     | 697576  |     | VALVE, Exhaust   |
| 34     | 792200  |     | VALVE, Intake  |
| 35     | 694865  |     | SPRING, Valve<br>-(Intake)   |
| 36     | 694865  |     | SPRING, Valve<br>-(Exhaust)  |
| 42     | 499586  |     | KEEPER, Valve  |
| 45     | 690977  |     | TAPPET, Valve  |
| 51     | 590396  |     | GASKET, Intake   |
| 163    | 798962  |     | GASKET, Air Cleaner  |
| 176    | 798965  |     | SEAL, O-Ring<br>-(Air Cleaner Base)                                    |
| 192    | 690083  |     | ADJUSTER, Rocker Arm   |
| 337    | 491055S |     | PLUG, Spark  |
| 358    | 798800  |     | GASKET SET, Engine   |
| 383    | 19576S  |     | WRENCH, Spark Plug   |
| 623    | 799051  |     | SEAL, O-Ring<br>-(Carburetor Spacer) (Air Cleaner Elbow To Carburetor) |
| 635    | 691909  |     | BOOT, Spark Plug   |
| 725    | 590347  |     | SHIELD, Heat   |
| 728    | 699481  |     | SCREW<br>-(Heat Shield)  |
| 798    | 697890  |     | SCREW<br>-(Rocker Arm)   |
| 868    | 690968  |     | SEAL, Valve  |
| 883    | 695398  |     | GASKET, Exhaust  |
| 914    | 794827  |     | SCREW<br>-(Rocker Cover)   |
| 1022   | 690971  |     | GASKET, Rocker Cover   |
| 1023   | 697691  |     | COVER, Rocker  |
| 1026   | 592673  |     | ROD, Push  |
| 1029   | 690972  |     | ARM, Rocker  |
| 1095   | 798801  |     | GASKET SET, Valve  |
| 1100   | 791959  |     | PIVOT, Rocker Arm  |

## Replacement Engine - US & Canada

| REF NO | PART NO    | QTY | DESCRIPTION  |
|--------|------------|-----|--|
|        | 19L2320036 | 1   | Replacement Engine   |
|        | -----      |     | Top No-Load Speed: 3600<br>-Trim: ALL  |
|        | -----      |     | Service Note: For all Go-Karts use only a Model 136200 series engine as a replacement, regardless of the original Model. |

Not For Reproduction

