

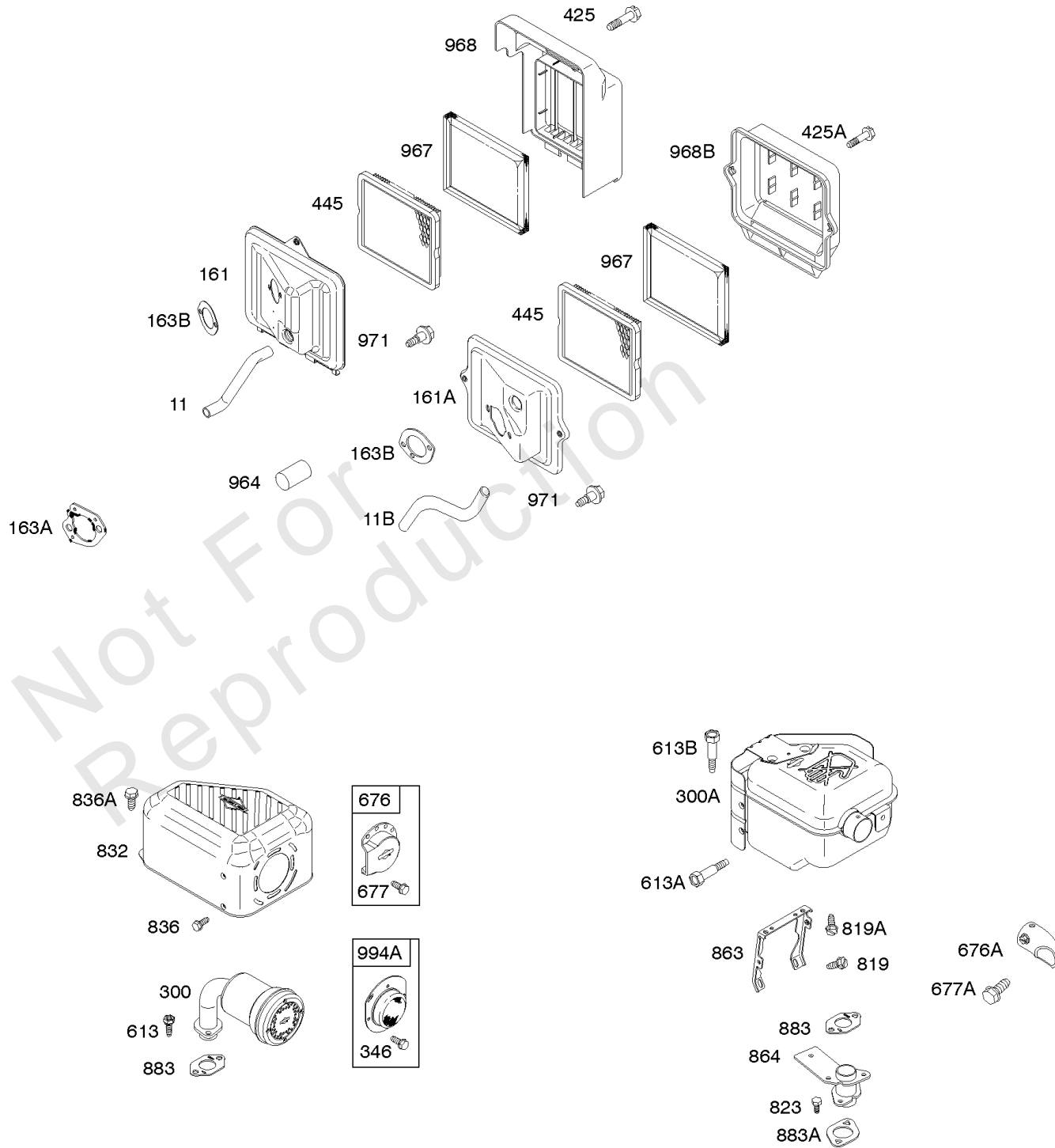


Parts Manual

Mfg. No: 15T212-0160-F8

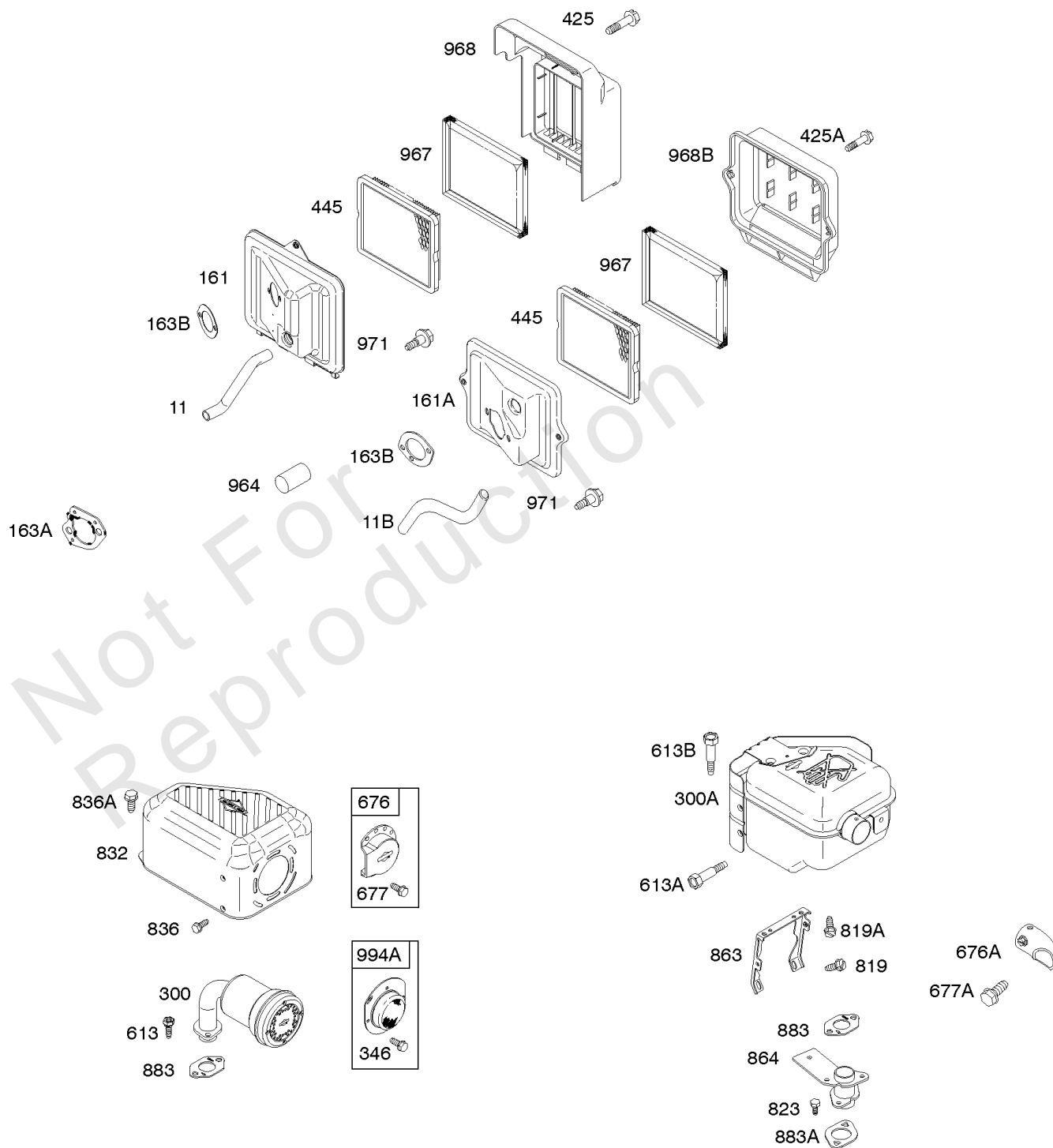
Model Components	Page
Air Cleaner, Exhaust System.	4
Blower Housing, Electric Starter, Flywheel, Rewind Starter.	8
Camshaft, Crankshaft, Cylinder, Piston Group.	12
Carburetor, Fuel Supply.	16
Controls, Governor Spring, Ignition.	20
Crankcase Cover, Lubrication.	24
Cylinder Head.	26
Replacement Engine - US & Canada.	30

Not For
Reproduction



Air Cleaner, Exhaust System

REF NO	PART NO	QTY	DESCRIPTION
11	692600		TUBE, Breather -(Flat Panel Air Cleaner)
11B	790632		TUBE, Breather -(Ultra Low Mount Air Cleaner)
161	699207		BASE, Air Cleaner -(Flat Panel Air Cleaner)
161A	790631		BASE, Air Cleaner -(Ultra Low Mount Air Cleaner)
163A	792870		GASKET, Air Cleaner -(High Mount)
163B	696024		GASKET, Air Cleaner -(Flat Panel Air Cleaner)
300	693593		MUFFLER
300A	797433		MUFFLER
346	690661		SCREW -(Spark Arrestor) (SAE)
346	699203		SCREW -(Spark Arrestor) (Metric)
425	699208		SCREW -(Air Cleaner Cover)
425A	699492		SCREW -(Air Cleaner Cover)
445	595030		FILTER, A/C Cartridge
613	791972		SCREW -(Muffler)
613A	699481		SCREW -(Muffler)
613B	799081		SCREW -(Muffler)
676	796956		DEFLECTOR, Muffler
676A	697816		DEFLECTOR, Muffler
677	690661		SCREW -(Muffler Deflector) (SAE)
677	699203		SCREW -(Muffler Deflector) (Metric)
677A	699776		SCREW -(Muffler Deflector)
819	699233		SCREW -(Muffler Bracket)
819A	699481		SCREW -(Muffler Bracket)
823	791972		SCREW -(Muffler Adapter)
832	593953		GUARD, Muffler -(Lo Tone)
836	699203		SCREW -(Muffler Guard)
836A	594002		SCREW -(Muffler Guard)
863	699229		BRACKET, Muffler
864	699232		ADAPTER, Muffler
883	691893		GASKET, Exhaust -(Between Adapter And Cylinder)
883A	692237		GASKET, Exhaust
964	799159		CAP, Connector
967	493537S		FILTER, Air Cleaner Foam -(Flat Panel)
968	692584		COVER, Air Cleaner -(Flat Panel Air Cleaner)



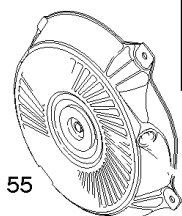
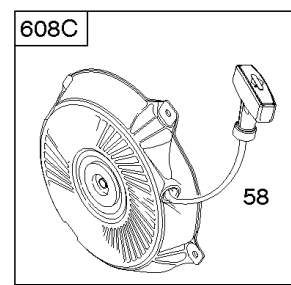
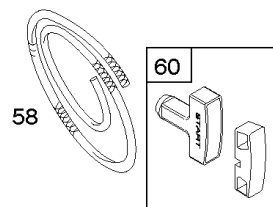
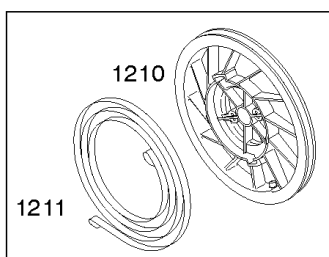
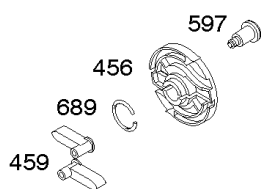
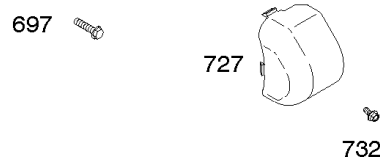
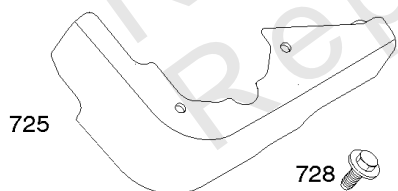
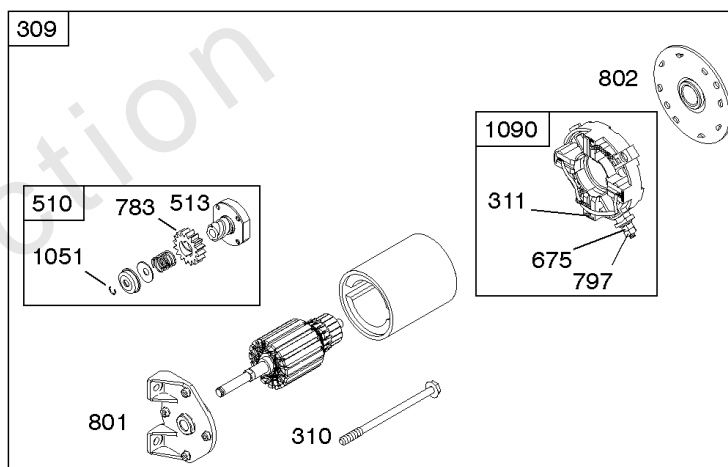
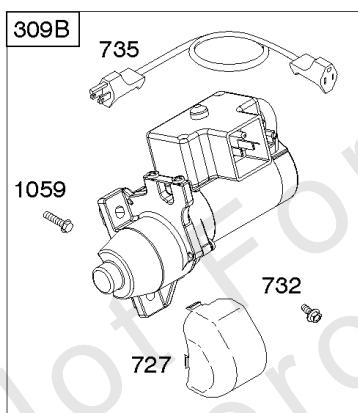
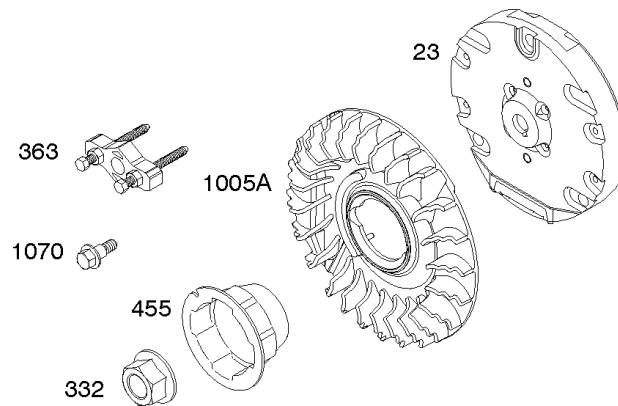
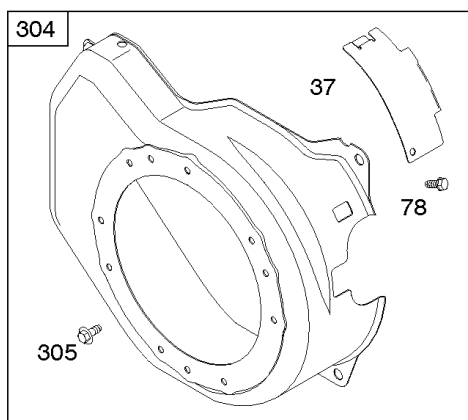
Air Cleaner, Exhaust System

REF NO	PART NO	QTY	DESCRIPTION
968B	791082		COVER, Air Cleaner -(Ultra Low Mount Air Cleaner)
971	690370		SCREW -(Air Cleaner Base to Carburetor/Throttle Body) (SAE)
971	798649		SCREW -(Air Cleaner Base to Carburetor/Throttle Body) (Metric)
994A	399541		ARRESTOR, Spark

Not For Reproduction

Blower Housing, Electric Starter, Flywheel, Rewind Starter

Mfg. No: 15T212-0160-F8

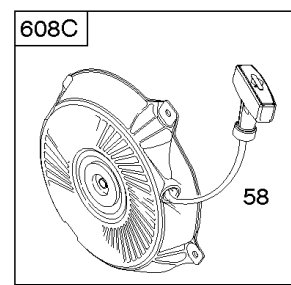
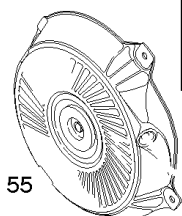
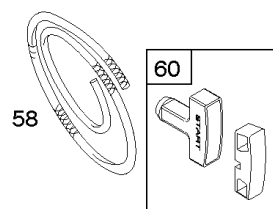
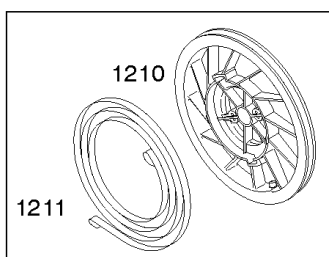
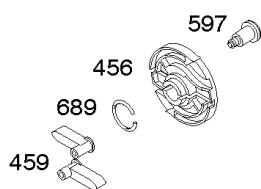
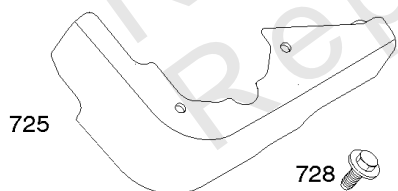
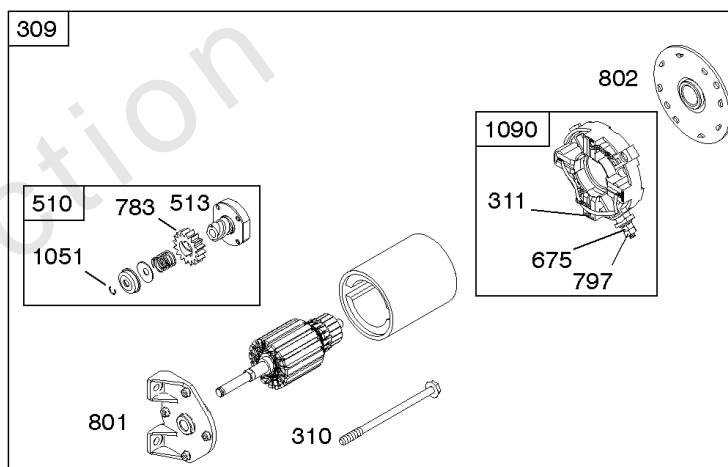
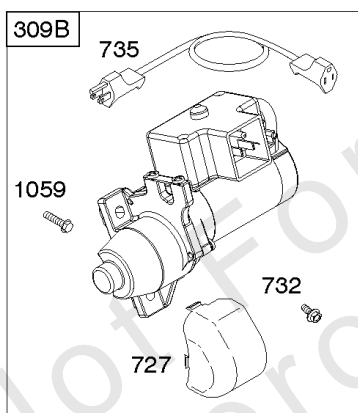
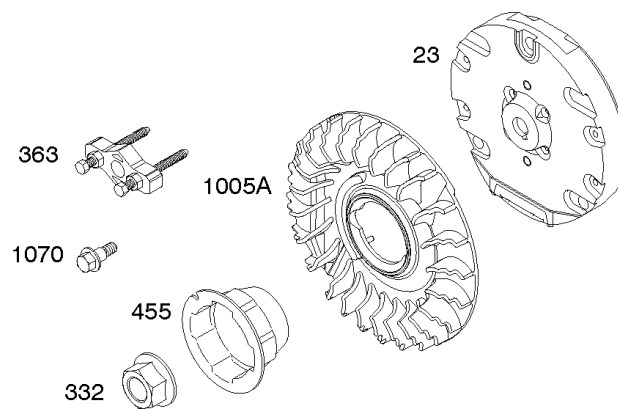
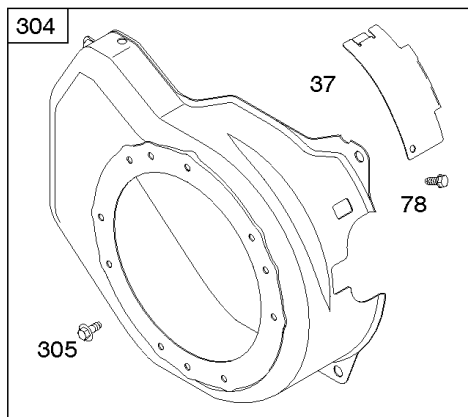


Blower Housing, Electric Starter, Flywheel, Rewind Starter

REF NO	PART NO	QTY	DESCRIPTION
23	798821		FLYWHEEL
37	699661		GUARD, Flywheel
55	791848		HOUSING, Rewind Starter -Used After Code Date 08030200 -Used Before Code Date 12010100
55	691422		HOUSING, Rewind Starter -Used Before Code Date 08030300
55	-----		Housing-Rewind Starter -(Not Serviced Separate. Service With Rewind Assembly.) -Used After Code Date 11123100
58	693389		ROPE, Starter -(Cut To Required Length)
60	490652		HANDLE, Starter Rope -(2 Piece)
65	699228		SCREW -(Rewind Starter)
78	699205		SCREW -(Flywheel Guard)
304	699598		HOUSING, Blower
305	699481		SCREW -(Blower Housing)
309	798790		MOTOR, Starter
310	690323		BOLT -(Starter Motor)
311	497608		SET, Brush
332	591988		NUT -(Flywheel)
363	19203		PULLER, Flywheel
455	591302		CUP, Flywheel
456	-----		Plate-Pawl Friction -(Not Serviced Separate. Service With Rewind Assembly.) -Used After Code Date 11123100
456	692299		PLATE, Pawl Friction -Used Before Code Date 12010100
459	-----		Pawl-Ratchet -(Not Serviced Separate. Service With Rewind Assembly.) -Used After Code Date 11123100
459	281505S		PAWL, Ratchet -Used Before Code Date 12010100
510	499308		DRIVE, Starter
513	692024		CLUTCH, Drive
597	-----		Screw -(Pawl Friction Plate) (Not Serviced Separate. Service With Rewind Assembly.) -Used After Code Date 11123100
597	691696		SCREW -(Pawl Friction Plate) -Used Before Code Date 12010100
608C	591301		STARTER, Rewind
675	691261		WASHER -(Brush Retainer)
689	-----		Spring-Friction -(Not Serviced Separate. Service With Rewind Assembly.) -Used After Code Date 11123100
689	691855		SPRING, Friction -Used Before Code Date 12010100
697	793567		SCREW -(Starter Motor) (Drive Cap)
725	792874		SHIELD, Heat
727	698039		COVER, Starter Drive

Blower Housing, Electric Starter, Flywheel, Rewind Starter

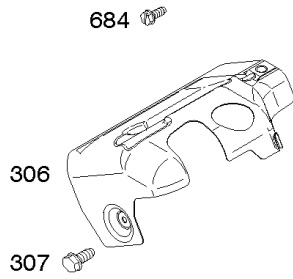
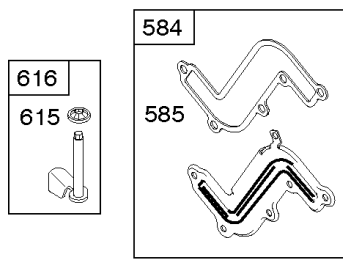
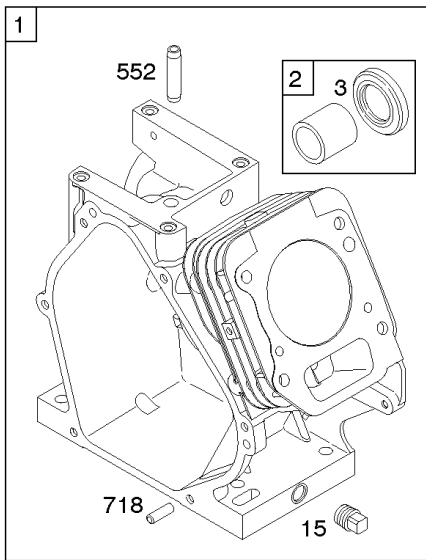
Mfg. No: 15T212-0160-F8



65

Blower Housing, Electric Starter, Flywheel, Rewind Starter

REF NO	PART NO	QTY	DESCRIPTION
728	699491		SCREW -(Heat Shield)
732	699200		SCREW -(Starter Drive Cover)
735	795901		CORD, Starter
783	692353		GEAR, Pinion
797	691029		NUT -(Brush Retainer)
801	694482		CAP, Drive
802	691286		CAP, End
1005A	794273		FAN, Flywheel
1051	691265		RING, Retaining
1059	793567		SCREW
1070	699201		SCREW -(Flywheel Fan)
1090	691293		RETAINER, Brush
1210	498144		PULLEY/SPRING ASSEMBLY -(Pulley) -Used Before Code Date 08030300
1210	791849		PULLEY/SPRING ASSEMBLY -(Pulley) -Used After Code Date 08030200 -Used Before Code Date 12010100
1210	-----		Pulley/Spring Assembly -(Pulley) (Not Serviced Separate. Service With Rewind Assembly.) -Used After Code Date 11123100
1211	791849		PULLEY/SPRING ASSEMBLY -(Spring) (Not Serviced Separate. Service With Rewind Assembly.) -Used After Code Date 11123100
1211	498144		PULLEY/SPRING ASSEMBLY -(Spring) -Used Before Code Date 08030300
1211	791849		PULLEY/SPRING ASSEMBLY -(Spring) -Used After Code Date 08030200 -Used Before Code Date 12010100



15A

1319 WARNING LABEL

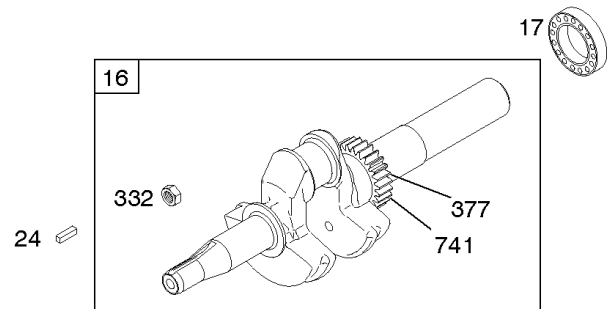
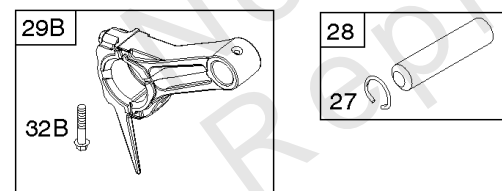
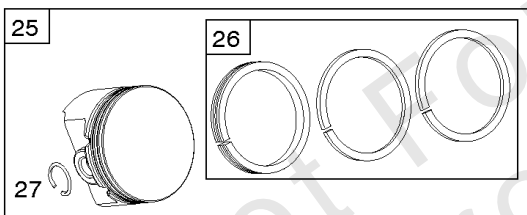
REQUIRED when replacing parts with warning labels affixed.

1319A WARNING LABEL

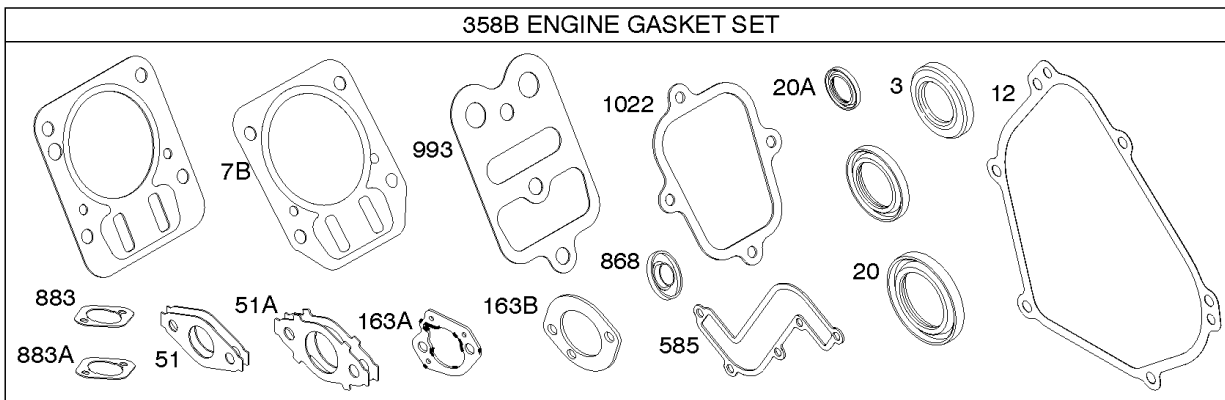
REQUIRED when replacing parts with warning labels affixed.

1330 REPAIR MANUAL

1036 EMISSIONS LABEL

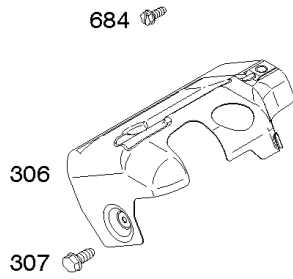
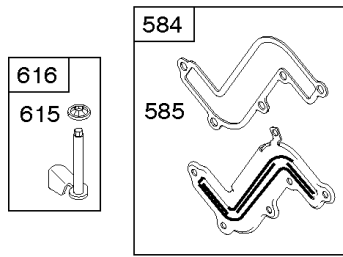
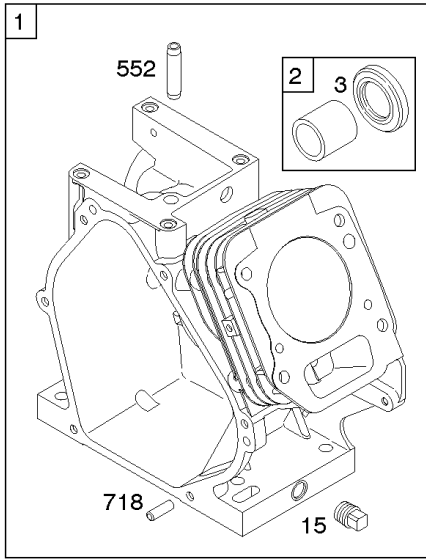


17



Camshaft, Crankshaft, Cylinder, Piston Group

REF NO	PART NO	QTY	DESCRIPTION
1	794188		CYLINDER ASSEMBLY
2	796961		KIT, Bushing/Seal -(Magneto Side)
3	299819S		SEAL, Oil -(Magneto Side)
7B	791716		GASKET, Cylinder Head
12	699485		GASKET, Crankcase
15	691686		PLUG, Oil Drain -(Square Head)(1/4" Diameter)
15A	691682		PLUG, Oil Drain -(Hex Socket)(1/4 Diameter)
16	593497		CRANKSHAFT -Used After Code Date 15041900
16	797075		CRANKSHAFT -Used Before Code Date 15042000
17	798538		BEARING, Ball
20	692550		SEAL, Oil -(PTO Side)
20A	691952		SEAL, Oil -(PTO Side)
24	796335		KEY, Flywheel
25	791791		PISTON ASSEMBLY -(.020 Oversize)
25	791786		PISTON ASSEMBLY -(Standard)
26	791792		SET, Ring -(.020" Oversize)
26	791787		SET, Ring -(Standard)
27	690975		LOCK, Piston Pin
28	690229		PIN, Piston -(Standard)
29B	791783		ROD, Connecting
32B	791784		SCREW -(Connecting Rod)
46	693404		CAMSHAFT
46A	695285		CAMSHAFT
51	692555		GASKET, Intake -(2 Required)
51A	791718		GASKET, Intake
163A	792870		GASKET, Air Cleaner -(High Mount)
163B	696024		GASKET, Air Cleaner -(Flat Panel Air Cleaner)
306	594516		SHIELD, Cylinder -Used After Code Date 14091100
306	795334		SHIELD, Cylinder -Used Before Code Date 14091200
307	794822		SCREW -(Cylinder Shield)
332	591988		NUT -(Flywheel)
358B	791797		GASKET SET, Engine
377	690979		KEY, Woodruff
552	692346		BUSHING, Governor Crank
584	791759		COVER, Breather Passage
585	791760		GASKET, Breather Passage



15A

1319 WARNING LABEL

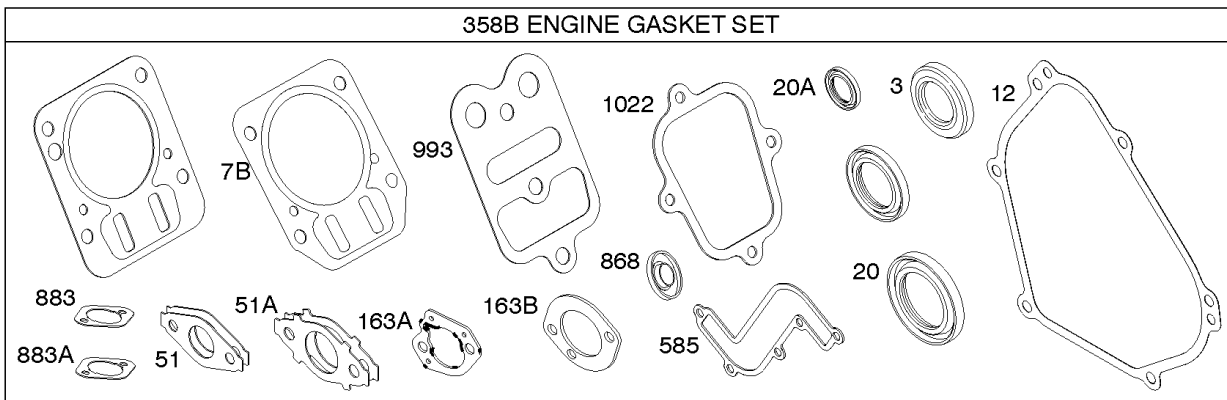
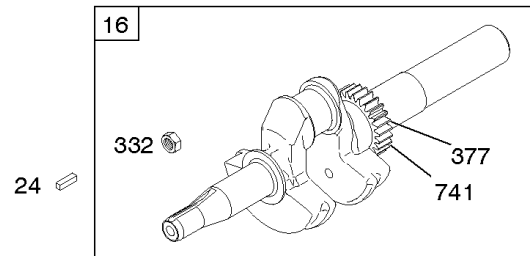
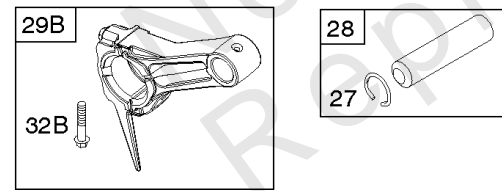
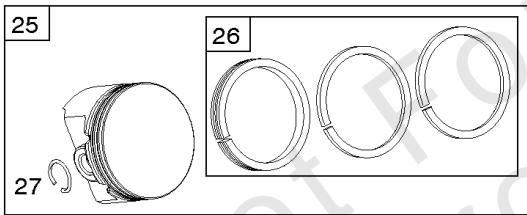
REQUIRED when replacing parts with warning labels affixed.

1319A WARNING LABEL

REQUIRED when replacing parts with warning labels affixed.

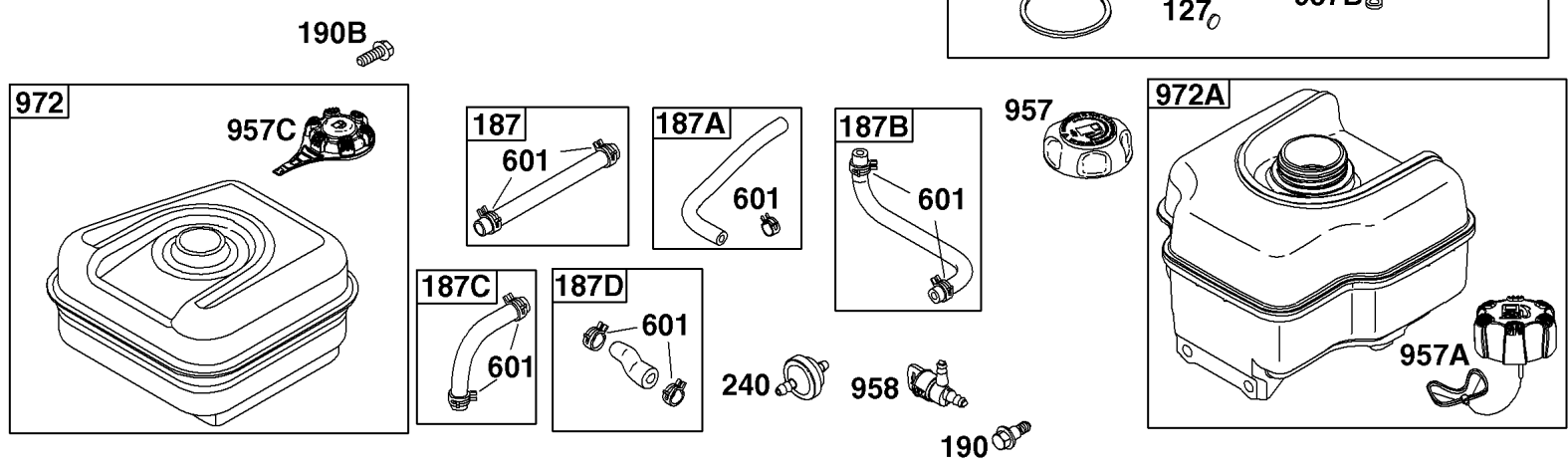
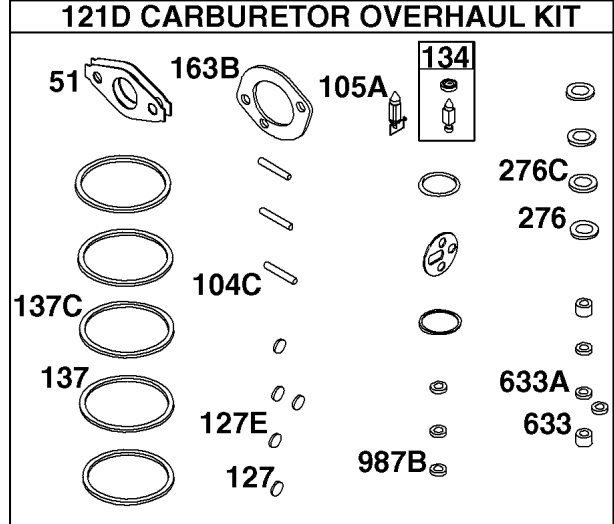
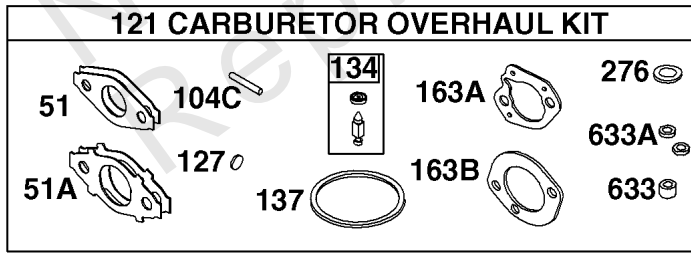
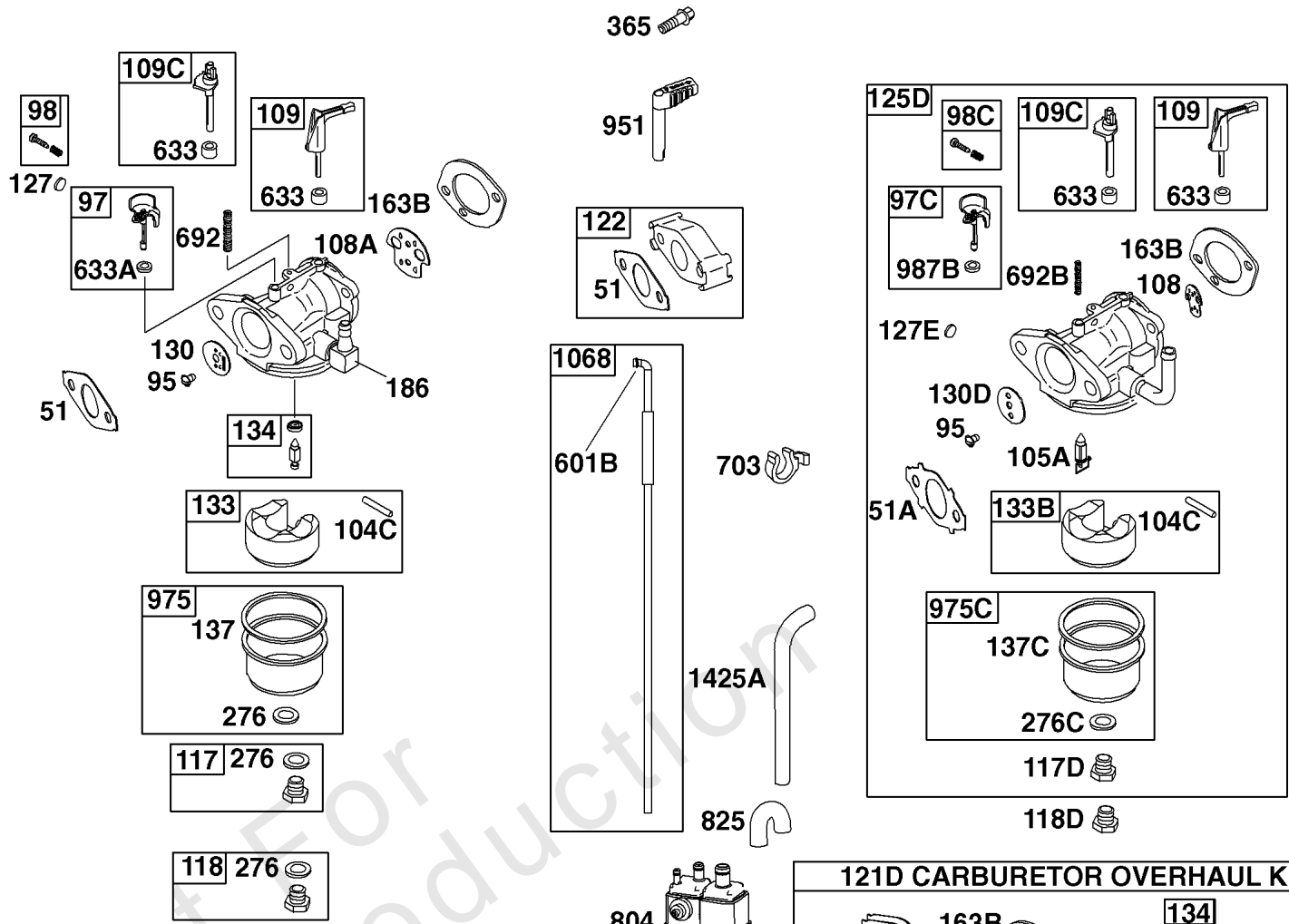
1330 REPAIR MANUAL

1036 EMISSIONS LABEL



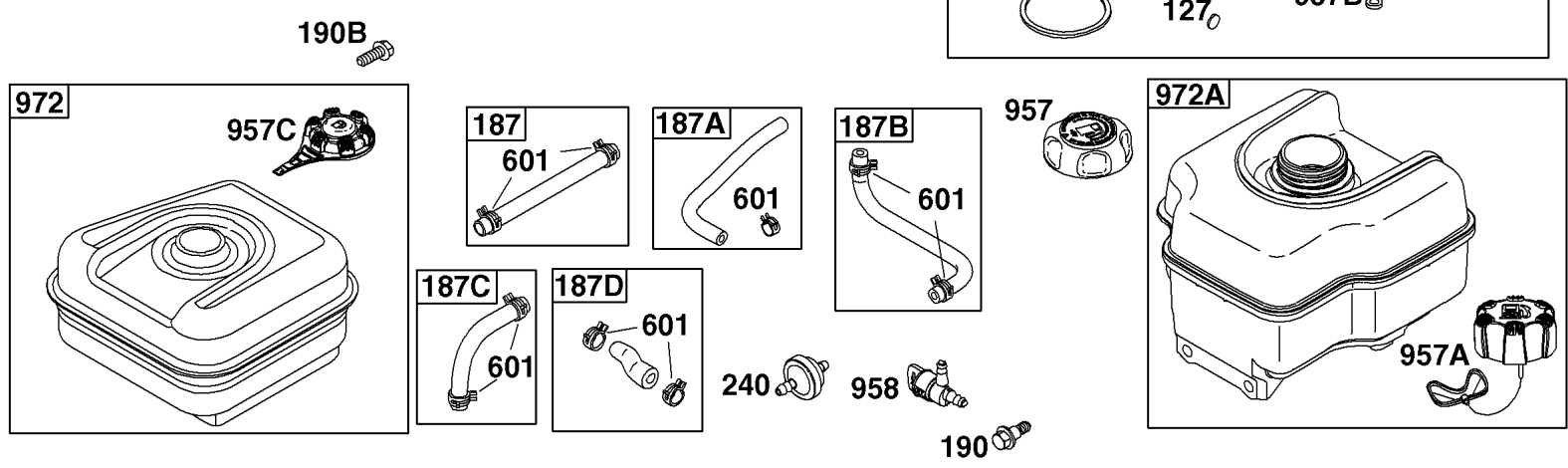
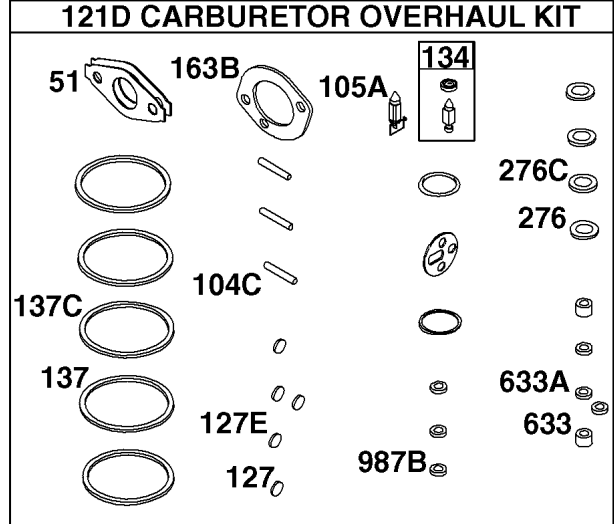
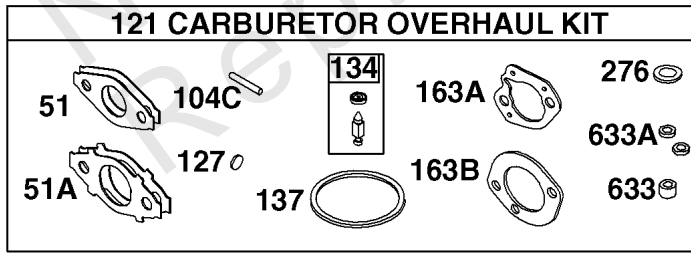
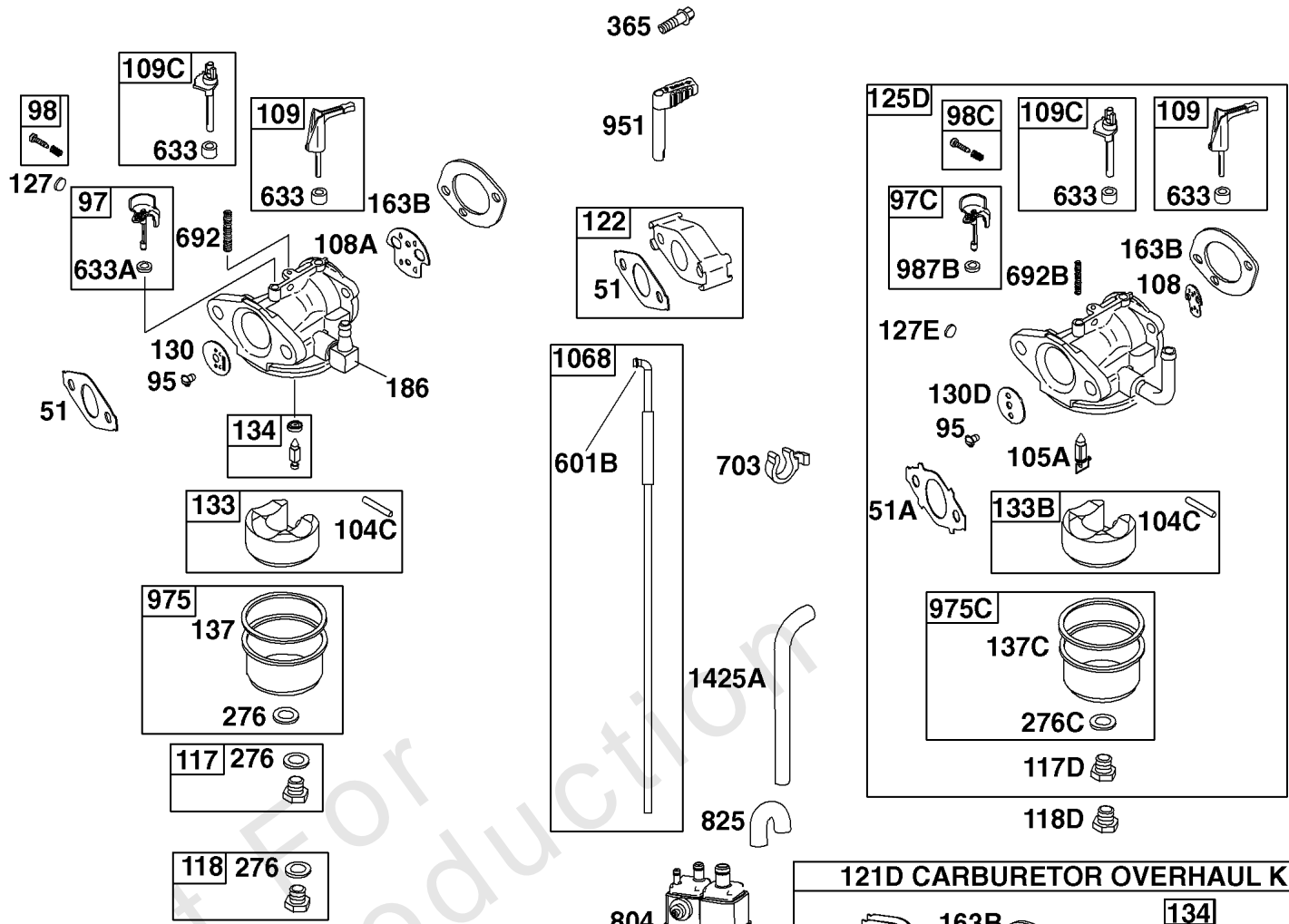
Camshaft, Crankshaft, Cylinder, Piston Group

REF NO	PART NO	QTY	DESCRIPTION
615	692576		RETAINER, Governor Shaft
616	692547		CRANK, Governor
684	793369		SCREW -(Breather Passage Cover)
718	592860		PIN, Locating
741	593499		GEAR, Timing -(Plastic)
741	695087		GEAR, Timing -(Metal)
868	795440		SEAL, Valve
883	691893		GASKET, Exhaust -(Between Adapter And Cylinder)
883A	692237		GASKET, Exhaust
993	694088		GASKET, Cylinder Head Plate
1022	691890		GASKET, Rocker Cover
1036	-----		Label-Emissions -(Available From A Briggs & Stratton Authorized Dealer)
1319	794467		LABEL, Warning
1319A	797669		LABEL, Warning
1330	272147		MANUAL, Repair



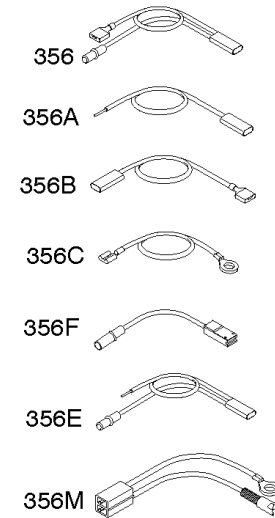
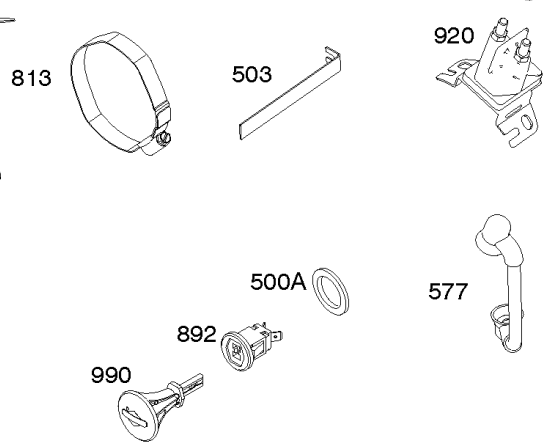
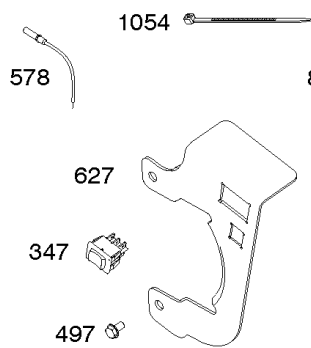
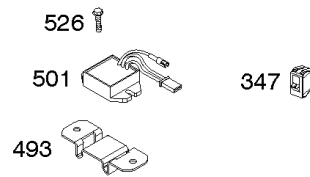
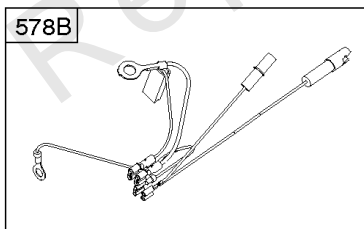
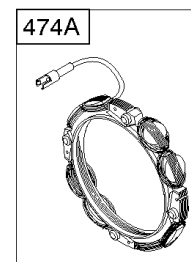
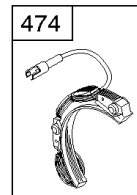
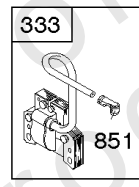
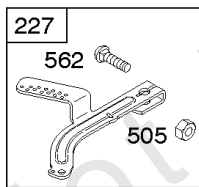
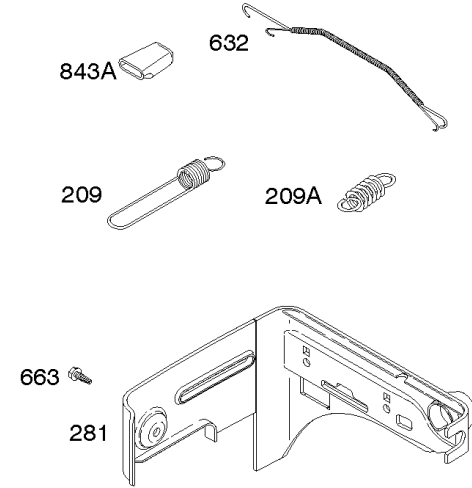
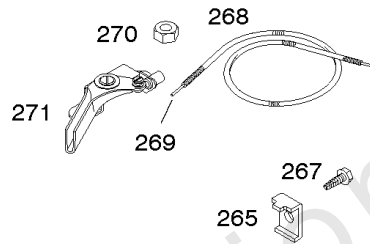
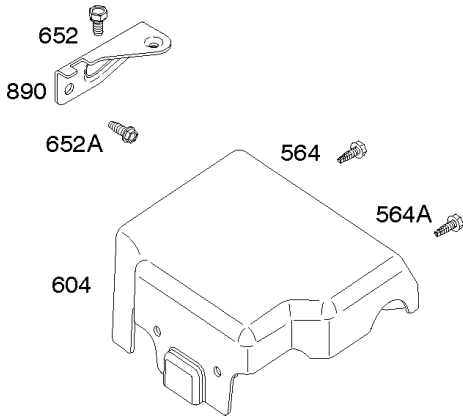
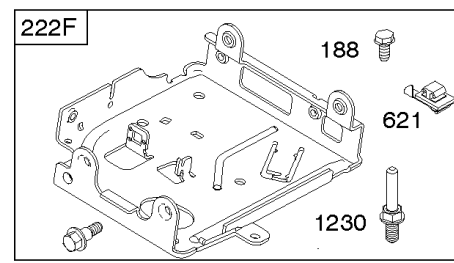
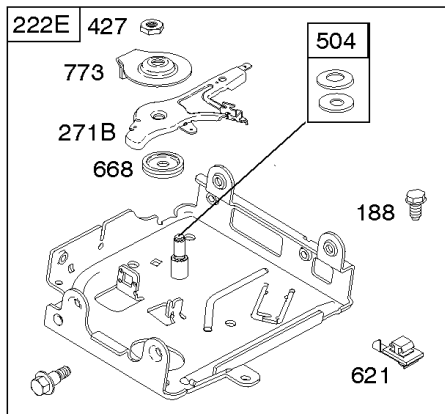
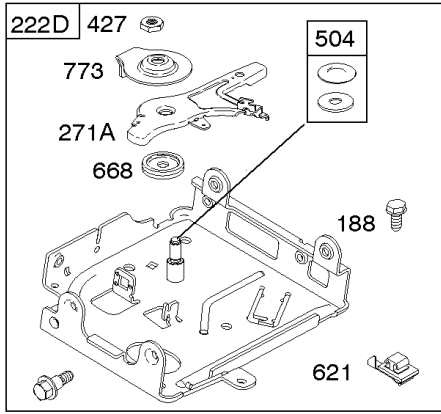
Carburetor, Fuel Supply

REF NO	PART NO	QTY	DESCRIPTION
51	692555		GASKET, Intake -(2 Required)
51A	791718		GASKET, Intake
95	691636		SCREW -(Throttle Valve)
97	690024		SHAFT, Throttle
97C	797628		SHAFT, Throttle
98	398185		KIT, Idle Speed -(Carburetor)
98C	797156		KIT, Idle Speed
104C	797622		PIN, Float Hinge
105A	797139		VALVE, Float Needle
108	692567		VALVE, Choke
108A	796993		VALVE, Choke
109	690023		SHAFT, Choke
109C	790624		SHAFT, Choke
117	690048		JET, Main -(Standard)
117D	798652		JET, Main -(Standard)
118	497315		JET, Main -(High Altitude)
118D	799178		JET, Main -(High Altitude)
121	792006		KIT, Carburetor Overhaul
121D	797634		KIT, Carburetor Overhaul
122	795643		SPACER, Carburetor -(Black)
125D	798654		CARBURETOR
127	691739		PLUG, Welch
127E	797633		PLUG, Welch
130	691181		VALVE, Throttle
130D	797630		VALVE, Throttle
133	398187		FLOAT, Carburetor
133B	797136		FLOAT, Carburetor
134	398188		KIT, Needle/Seat
137	693981		GASKET, Float Bowl
137C	797625		GASKET, Float Bowl
163A	792870		GASKET, Air Cleaner -(High Mount)
163B	696024		GASKET, Air Cleaner -(Flat Panel Air Cleaner)
186	692317		CONNECTOR, Hose
187	791766		LINE, Fuel -(Cut To Required Length)
187A	791867		LINE, Fuel -(Molded)
187C	791866		LINE, Fuel -(Molded)
187B	791874		LINE, Fuel -(Molded)
187D	795046		LINE, Fuel -(Molded)
190	699220		SCREW -(Fuel Tank)
190B	795047		SCREW -(Fuel Tank)



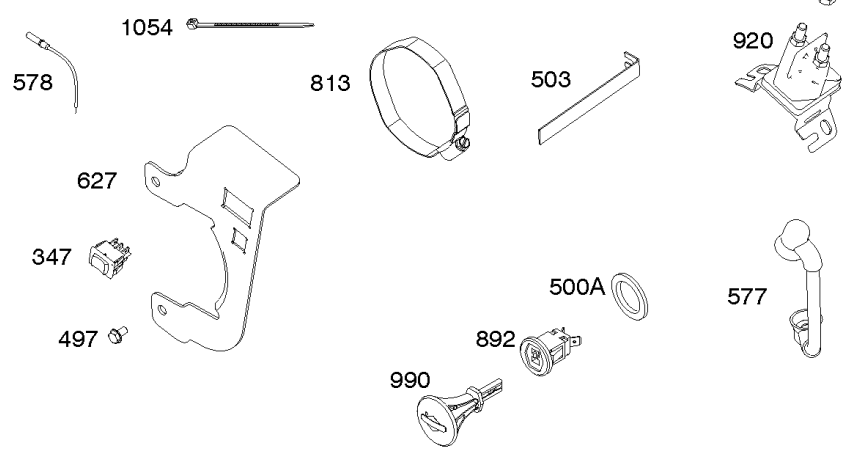
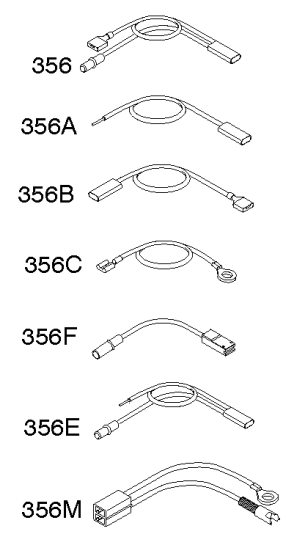
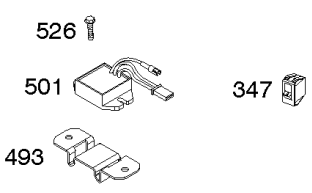
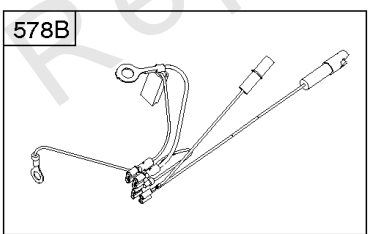
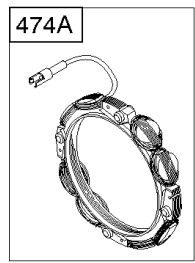
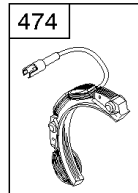
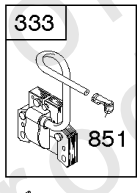
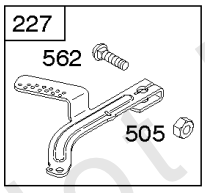
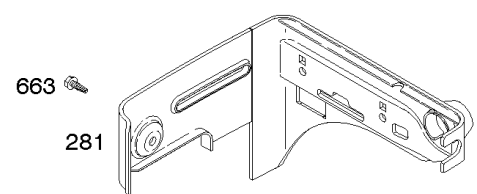
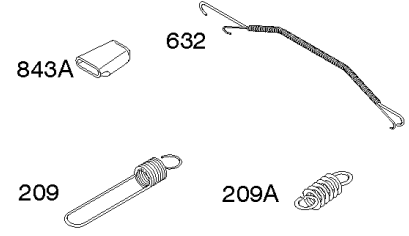
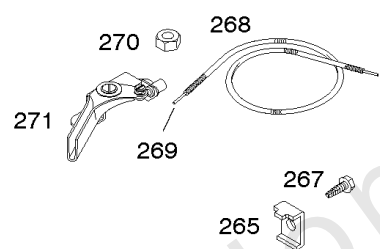
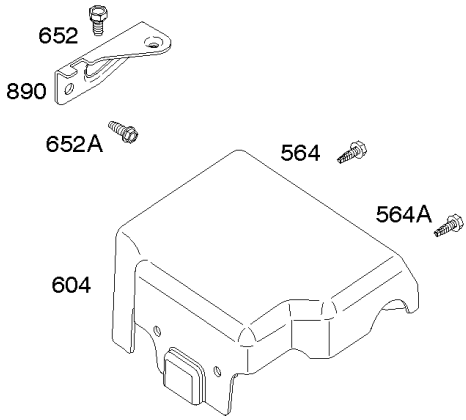
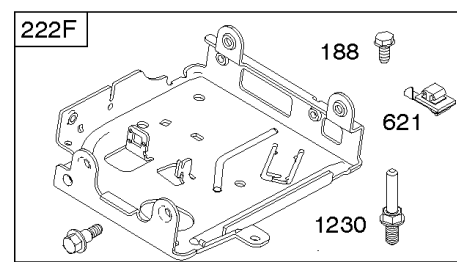
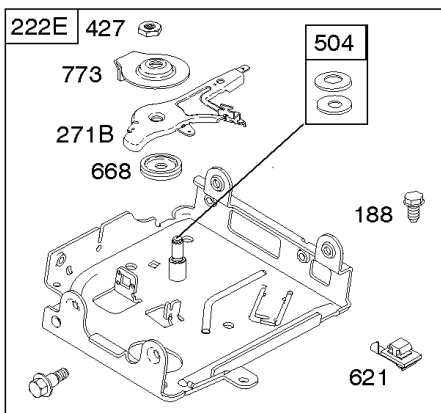
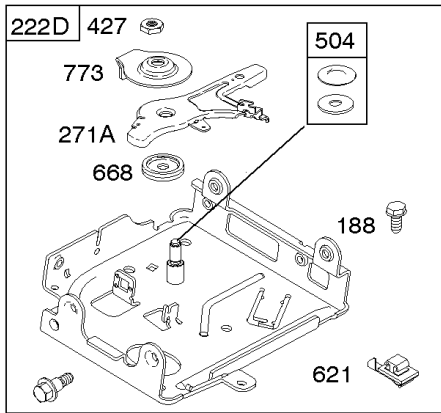
Carburetor, Fuel Supply

REF NO	PART NO	QTY	DESCRIPTION
240	394358S		FILTER, Fuel
276	271716		WASHER, Sealing
276C	797632		WASHER, Sealing
365	699484		SCREW -(Carburetor)
601	791850		CLAMP, Hose
601B	795230		CLAMP, Hose
633	693867		SEAL, Choke/Throttle Shaft
633A	691321		SEAL, Choke/Throttle Shaft -(Throttle Shaft)
692	590931		SPRING, Detent -(Carburetor)
692B	797624		SPRING, Detent -(Carburetor)
703	795222		CLIP
804	795223		CANISTER, Carbon -(EVAP)
825	795226		HOSE, Air
951	790630		LEVER, Choke
957	792647		CAP, Fuel Tank
957A	799719		CAP, Fuel Tank
957C	795221		CAP, Fuel Tank
958	698180		VALVE, Fuel Shut Off
972	795705		TANK, Fuel
972A	799863		TANK, Fuel
975	796611		BOWL, Float
975C	797631		BOWL, Float
987B	797629		SEAL, Choke/Throttle Shaft
1068	795229		HOSE/CLAMP ASSEMBLY
1425A	795227		HOSE, Purge Line



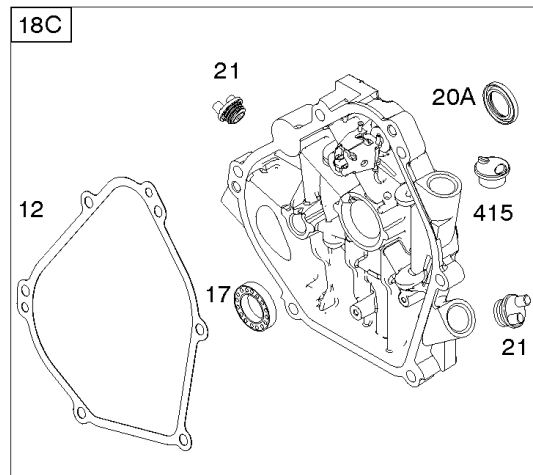
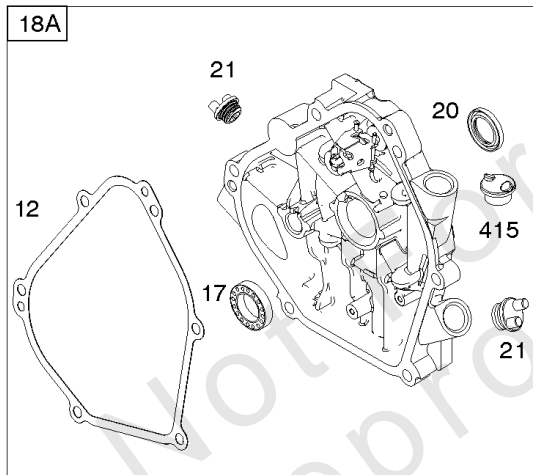
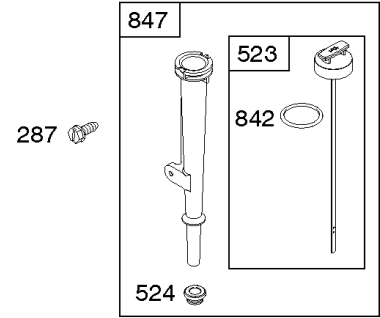
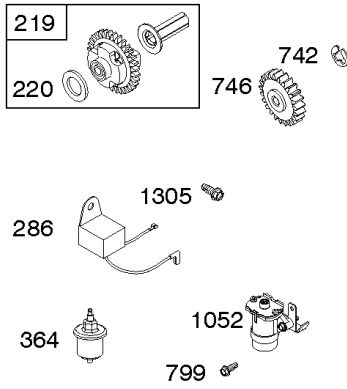
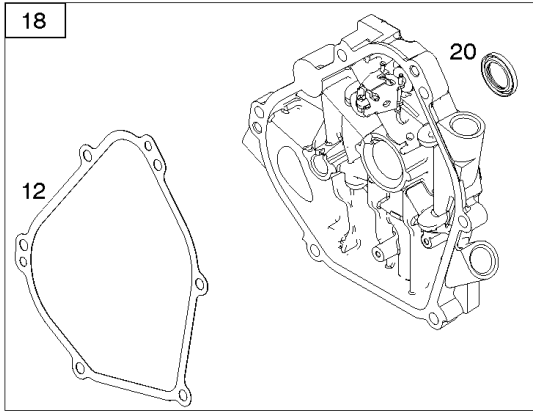
Controls, Governor Spring, Ignition

REF NO	PART NO	QTY	DESCRIPTION
188	699479		SCREW -(Control Bracket)
209	693206		SPRING, Governor -(Yellow)
222D	793107		BRACKET, Control
222E	793108		BRACKET, Control
227	794367		LEVER, Governor Control
265	691024		CLAMP, Casing
267	699492		SCREW -(Casing Clamp)
268	691025		CASING, Control Wire -(Cut To Required Length)
269	691026		WIRE, Control -(Cut To Required Length)
270	691027		NUT -(Control Wire Casing)
271	691028		LEVER, Control
271A	694256		LEVER, Control
271B	695743		LEVER, Control
281	793122		PANEL, Control
333	591101		ARMATURE, Magneto
334	699477		SCREW -(Magneto Armature)
347	795333		SWITCH, Rocker
356	693651		WIRE, Stop
356A	692390		WIRE, Stop
356E	695814		WIRE, Stop
356M	792609		WIRE, Stop
356F	697397		WIRE, Stop
356B	692602		WIRE, Stop
356C	695630		WIRE, Stop
427	694255		NUT -(Control Bracket) (SAE)
427	798458		NUT -(Control Bracket) (Metric)
474	695730		ALTERNATOR -(3 Amp. DC)
474A	793640		ALTERNATOR -(1.5 Amps DC)
493	691177		BRACKET, Mounting
497	691693		SCREW -(Stopswitch Bracket)
500A	792613		WASHER -(Key Switch)
501	794360		REGULATOR
503	691532		STRAP, Starter
504	695383		SET, Friction Washer
505	691251		NUT -(Governor Control Lever)
526	690326		SCREW -(Regulator)
562	691119		BOLT -(Governor Control Lever)
564	699491		SCREW -(Control Cover)
564A	699206		SCREW -(Control Cover)



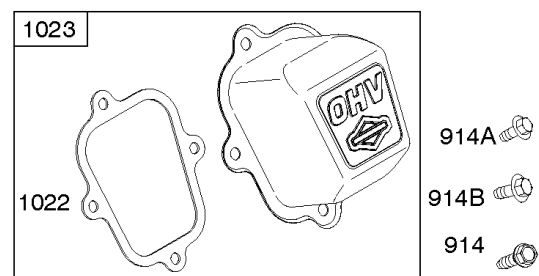
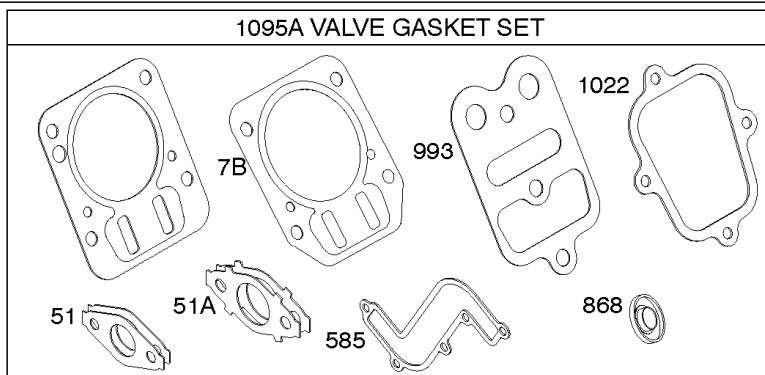
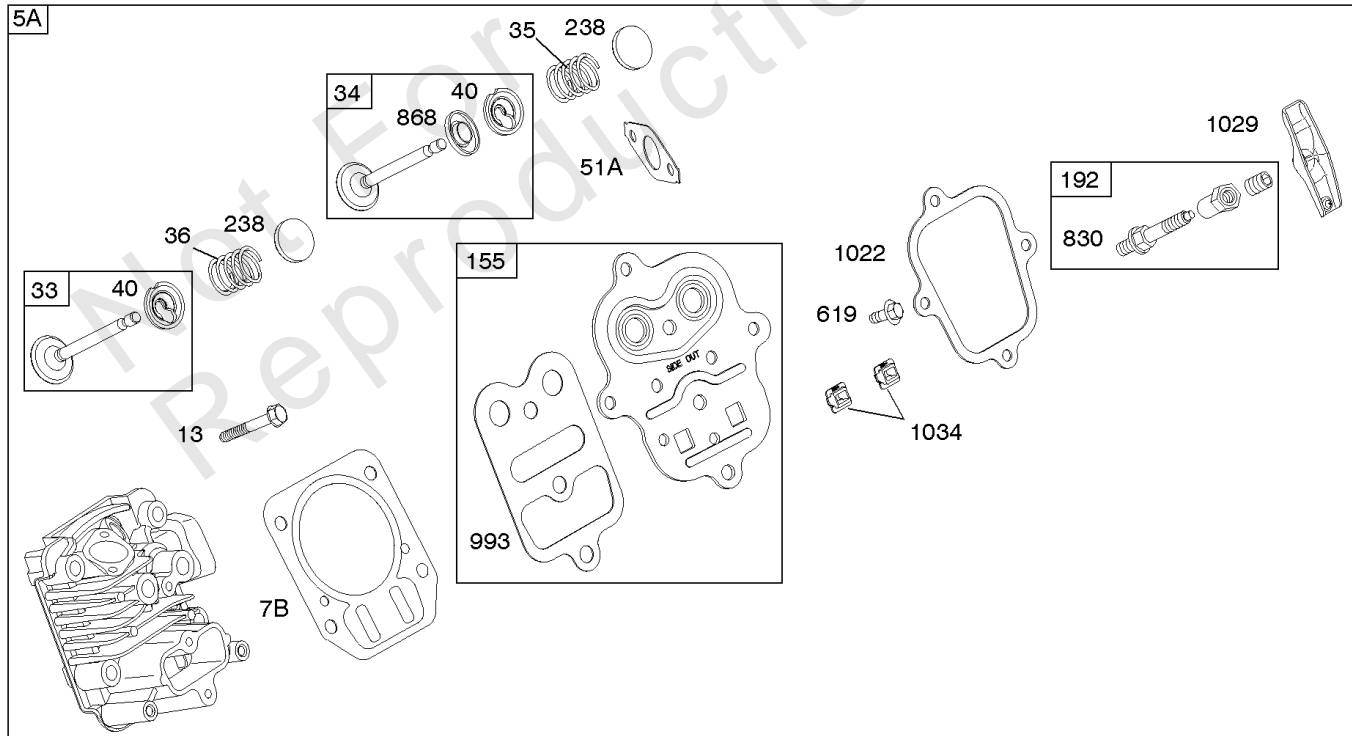
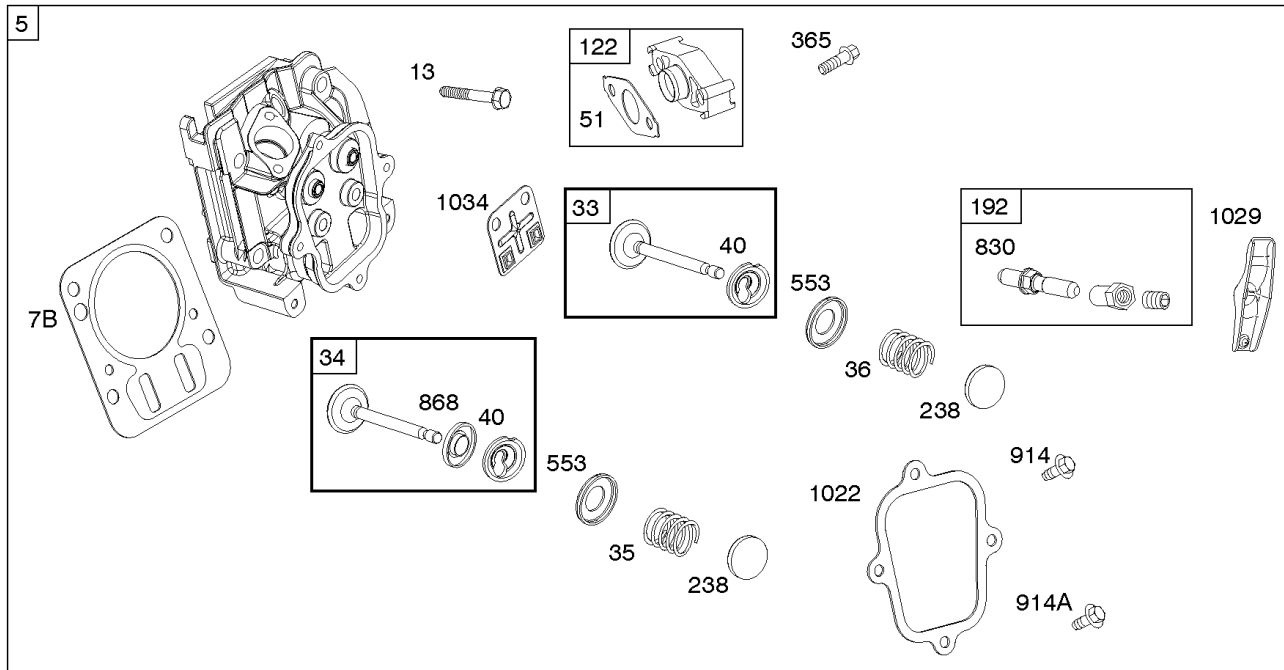
Controls, Governor Spring, Ignition

REF NO	PART NO	QTY	DESCRIPTION
577	690795		CABLE, Starter
578	692306		WIRE ASSEMBLY
578B	790948		WIRE ASSEMBLY
579	691029		NUT -(Starter Cable)
604	697326		COVER, Control
621	692310		SWITCH, Stop
627	792608		BRACKET, Stopswitch
632	693408		SPRING/LINK, Mechanical Governor
652	699755		SCREW -(Support Bracket)
652A	699230		SCREW -(Support Bracket)
663	699206		SCREW -(Control Panel)
668	694257		SPACER
773	694258		RETAINER -(Control Bracket)
813	690635		CLAMP
843A	695588		SLEEVE, Lever
851	493880S		TERMINAL, Spark Plug
890	790203		BRACKET, Support
892	791944		SWITCH, Key
920	846820		SOLENOID, Starter
990	794696		SET, Key
1054	280275		TIE, Cable
1119	699772		SCREW -(Alternator)
1230	699847		STUD -(Control Bracket)



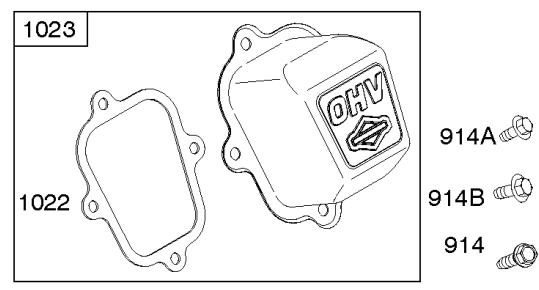
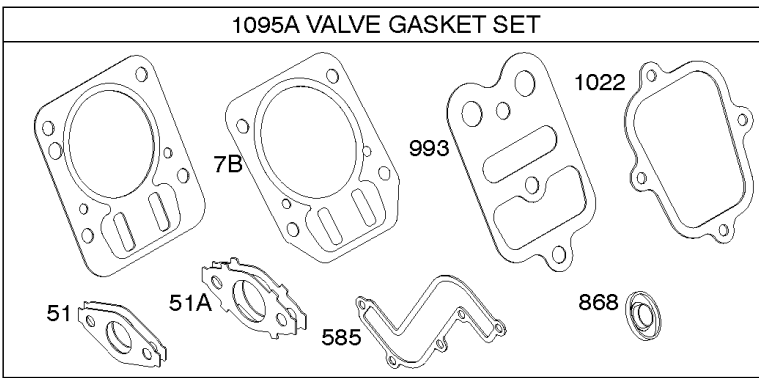
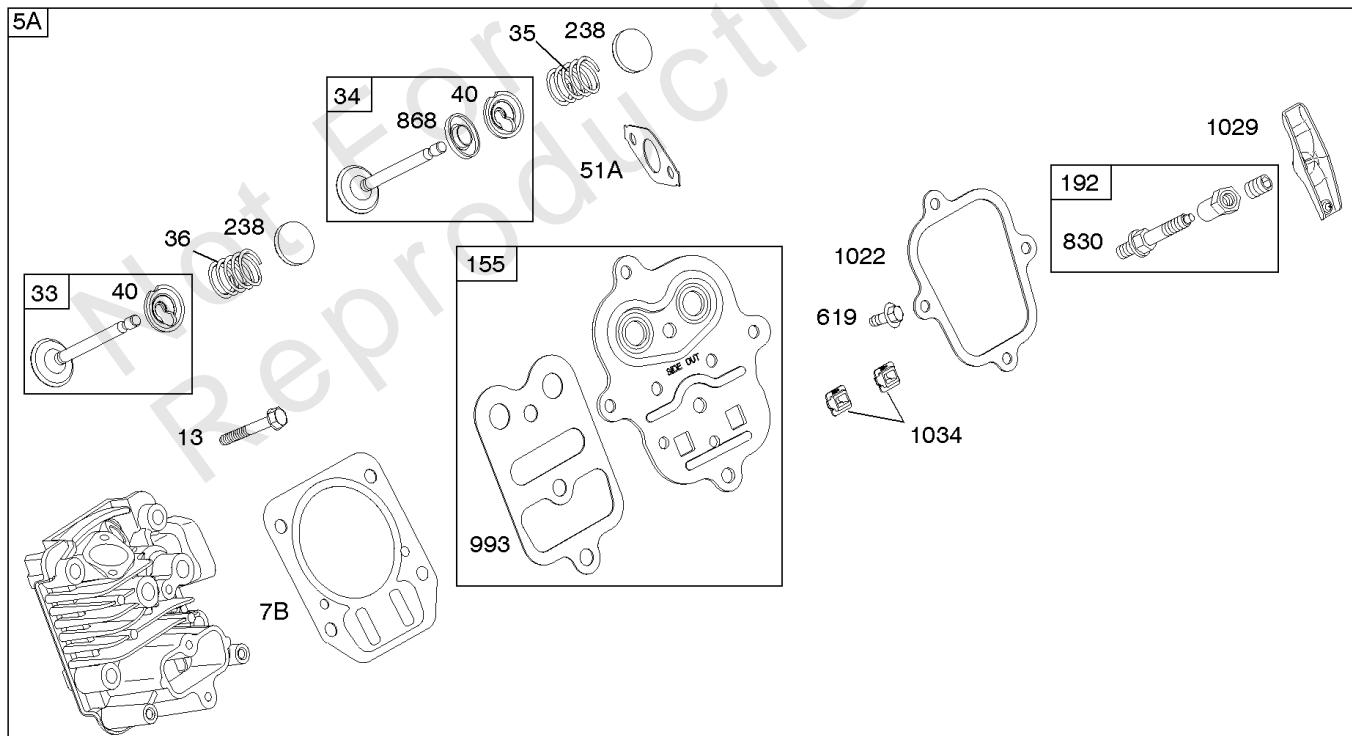
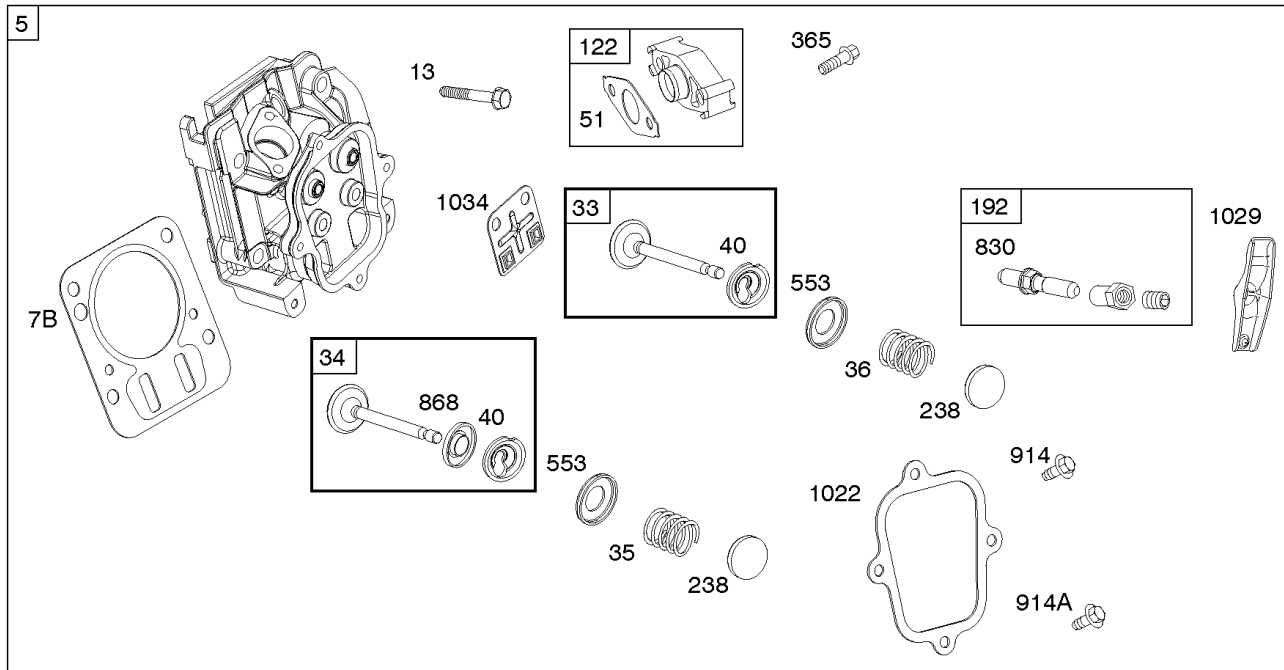
Crankcase Cover, Lubrication

REF NO	PART NO	QTY	DESCRIPTION
12	699485		GASKET, Crankcase
17	798538		BEARING, Ball
18	699804		COVER, Crankcase
20	692550		SEAL, Oil -(PTO Side)
20A	691952		SEAL, Oil -(PTO Side)
21	281658S		CAP, Oil Fill
22	594519		SCREW -(Crankcase Cover/Sump)
219	693578		GEAR, Governor
220	691724		WASHER -(Governor Gear)
286	794185		MODULE, Oil Sensor
287	699234		SCREW -(Dipstick Tube)
364	695693		TERMINAL, Oil Plug
415	693463		PLUG -(Crankcase Cover/Sump)
522	798503		PLUG, Dipstick/Fill
523	798469		DIPSTICK
524	281370S		SEAL, O-Ring -(Dipstick Tube)
742	692564		RETAINER, E Ring -(Idler Gear)
746	790278		GEAR, Idler
799	699202		SCREW -(Oil Sensor)
842	795015		SEAL, O-Ring -(Dipstick Tube)
847	798468		DIPSTICK/TUBE ASSEMBLY
1052	790141		SENSOR, Oil
1305	699691		SCREW -(Oil Sensor Module)



Cylinder Head

REF NO	PART NO	QTY	DESCRIPTION
5	594701		HEAD, Cylinder -Used After Code Date 14090300
5A	791720		HEAD, Cylinder -Used Before Code Date 14090400
7B	791716		GASKET, Cylinder Head
13	594518		SCREW -(Cylinder Head) -Used Before Code Date 14090100
13	594518		SCREW -(Cylinder Head) -Used After Code Date 14083100
33	499642		VALVE, Exhaust
34	795443		VALVE, Intake
35	691304		SPRING, Valve -(Intake)
36	691304		SPRING, Valve -(Exhaust)
40	692194		RETAINER, Valve
45	690977		TAPPET, Valve
51	692555		GASKET, Intake -(2 Required)
51A	791718		GASKET, Intake
122	795643		SPACER, Carburetor -(Black)
155	797442		PLATE, Cylinder Head -(Metric) -Used After Code Date 09061700
155	698214		PLATE, Cylinder Head -(SAE) -Used Before Code Date 09061800
192	594382		ADJUSTER, Rocker Arm -Used After Code Date 14083100
192	694543		ADJUSTER, Rocker Arm -(SAE) -Used Before Code Date 09061800
192	797440		ADJUSTER, Rocker Arm -(Metric) -Used After Code Date 09061700 -Used Before Code Date 14090100
238	691300		CAP, Valve
337	691043		PLUG, Spark -(EMS)
365	699484		SCREW -(Carburetor)
383	19576S		WRENCH, Spark Plug
553	594515		RETAINER, Valve
585	791760		GASKET, Breather Passage
619	699481		SCREW -(Cylinder Head Plate)
635	692076		BOOT, Spark Plug
635A	798619		BOOT, Spark Plug
830	797441		STUD, Rocker Arm -(Rocker Arm) (Metric) -Used After Code Date 09061700 -Used Before Code Date 14090400
830	694544		STUD, Rocker Arm -(Rocker Arm) (SAE) -Used Before Code Date 09061800
830	594230		STUD, Rocker Arm -(Rocker Arm) -Used After Code Date 14090300



Cylinder Head

REF NO	PART NO	QTY	DESCRIPTION
868	795440		SEAL, Valve
914	699481		SCREW -(Rocker Cover) (Bottom)
914A	594517		SCREW -(Rocker Cover) (Quantity 1 Top Or Center) -Used After Code Date 14083100
914A	692557		SCREW -(Rocker Cover) (Top) -Used Before Code Date 09061800
914A	797444		SCREW -(Rocker Cover) (Quantity 1 Top Or Center) -Used After Code Date 09061700 -Used Before Code Date 14090100
914B	691108		SCREW -(Rocker Cover) (Center) -Used Before Code Date 09061800
993	694088		GASKET, Cylinder Head Plate
1022	691890		GASKET, Rocker Cover
1023	499924		COVER, Rocker
1026	790287		ROD, Push
1029	691230		ARM, Rocker -(SAE) -Used Before Code Date 09061800
1029	797443		ARM, Rocker -(Metric) -Used After Code Date 09061700
1034	594229		GUIDE, Push Rod -Used After Code Date 14090300
1034	691343		GUIDE, Push Rod -Used Before Code Date 14090400
1095A	791798		GASKET SET, Valve

Replacement Engine - US & Canada

REF NO	PART NO	QTY	DESCRIPTION
	795436	1	Replacement Short Block
	15T2120160	1	Replacement Engine
	-----		Top No-Load Speed: 3800 -Trim: ALL
	-----		Service Note: For all Go-Karts use only a Model 136200 series engine as a replacement, regardless of the original Model.

Not For Reproduction

