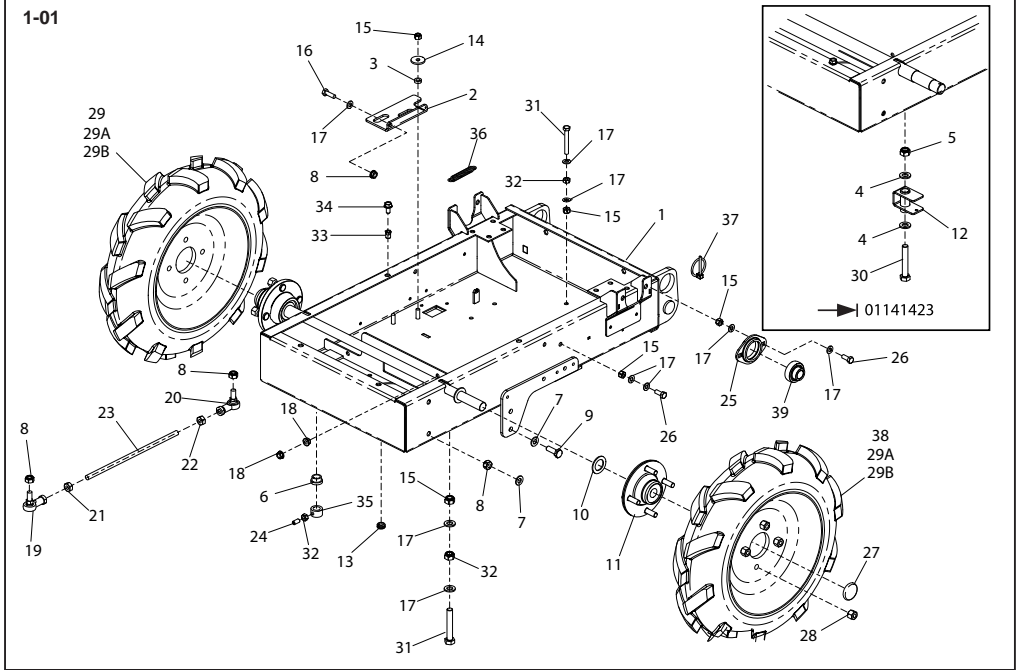


1-01

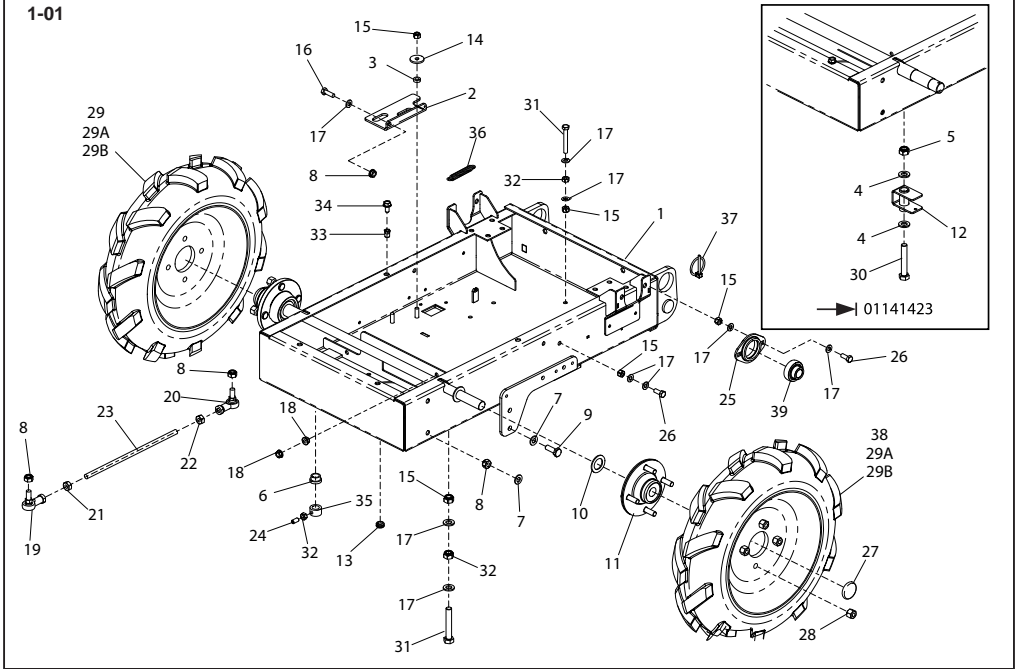


## Chassis, Châssis, Chasis, Chassis

1-01

1	961/03100	Chassis	Châssis	Chasis	Chassis	→ 141778	1
1	961/03000	Chassis	Châssis	Chasis	Chassis	→ 141779	1
2	961/99906	Bracket	Patte de Montage	Esquadra	Soporte		1
3	961/99916	Spacer	Entretoise	Espaciador	Espaciador		2
4	4/1204	Washer	Rondelle	Arandela	Anilha	M12	4
5	8/12006	Nut	Ecrou	Tuerca	Porca	M12	3
6	961/99914	Bush	Douille	Buje	Bucha		1
7	4/1005	Washer	Rondelle	Arandela	Anilha	M10	8
8	8/10006	Nut	Ecrou	Tuerca	Porca	M10	6
9	9/10001	Bolt	Boulon	Perno	Perno	M10 X 30	4
10	961/99918	Spacer	Entretoise	Espaciador	Espaciador		2
11	961/99941	Wheel Hub	Moyeu	Cubo Reductor	Cubo da Roda		2
12	961/00900	Linkage	Connexion	Conexión	Ligação		1
13	3/3009	Grommet	Passe/fil	Ojal	Anel Isolante		3
14	05.3.062	Washer	Rondelle	Arandela	Anilha	M8	2
15	8/8008	Nut	Ecrou	Tuerca	Porca	M8	15
16	7/8060	Bolt	Boulon	Perno	Perno	M8 X 20	2
17	4/8006	Washer	Rondelle	Arandela	Anilha	M8	22
18	8/8020	Nut	Ecrou	Tuerca	Porca		8
19	3/5026	Elbow	Coude	Codo	Canto	M10	1
20	3/5027	Elbow	Coude	Codo	Canto	→ 114339	1
20	3/5026	Elbow	Coude	Codo	Canto	→ 114340	1
21	8/10003	Nut	Ecrou	Tuerca	Porca	M10	1
22	8/10013	Nut	Ecrou	Tuerca	Porca	→ 114339	1
22	8/10003	Nut	Ecrou	Tuerca	Porca	→ 114340	1
23	961/99933	Rod	Tige	Varilla	Biela	→ 114339	1
23	961/99986	Rod	Tige	Varilla	Biela	→ 114340	1
24	7/8063	Screw	Vis	Tornillo	Parafuse	M8 X 16	3
25	53/0064	Flange	Bride	Brida	Flange		2
26	7/8011	Bolt	Boulon	Perno	Perno	M8 X 2	6
27	00011	Dust Cover	Cache/poussière	Tapa antipolvo	Tampa de Pó		2
28	961/99938	Nut	Ecrou	Tuerca	Porca		8
29	60/0438	Wheel - Right	Roue - Droite	Rueda - Derecha	Roda - Lado Direito		1
29A	60/0444	Tyre & Tube	Pneu & Tube	Neumático & Tubo	Neumático & Tubo		1
29B	60/0445	Tube	Tube	Tubo	Tubo		1
30	00.0.053	Bolt	Boulon	Perno	Perno	M12 X 1,75	1
31	9/8020	Bolt	Boulon	Perno	Perno	M8 X 60	4
32	8/8001	Nut	Ecrou	Tuerca	Porca	M8	5
33	8/8011	Nut	Ecrou	Tuerca	Porca	M6	6
34	7/8037	Screw	Vis	Tornillo	Parafuse	M8 X 16	6
35	961/99935	Boss	Bossage	Resalte	Cubo		1
36	961/99925	Spring	Ressort	Resorte	Mola		2
37	3/1018	Pin	Goupille	Pasador	Pino	4 X 45	1
38	60/0436	Wheel - Left	Roue - Gauche	Rueda - Izquierda	Roda - Lado Esquerdo		1
39	53/0061	Bearing	Roulement	Cojinete	Rolamento		2

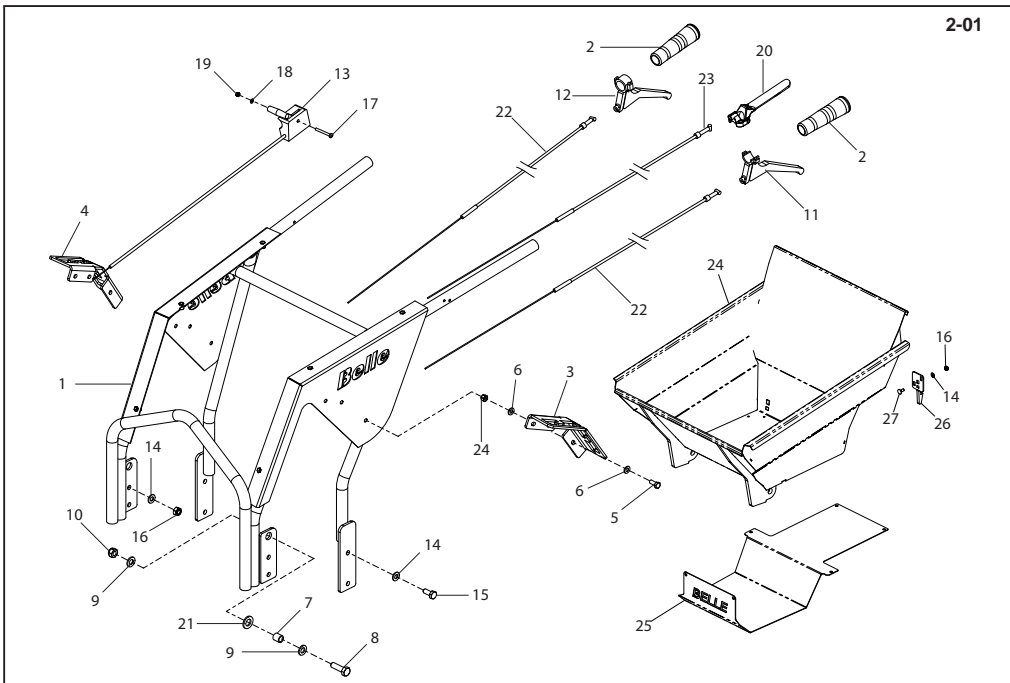
1-01



Chassis, Chassis, Chassis, Chassis

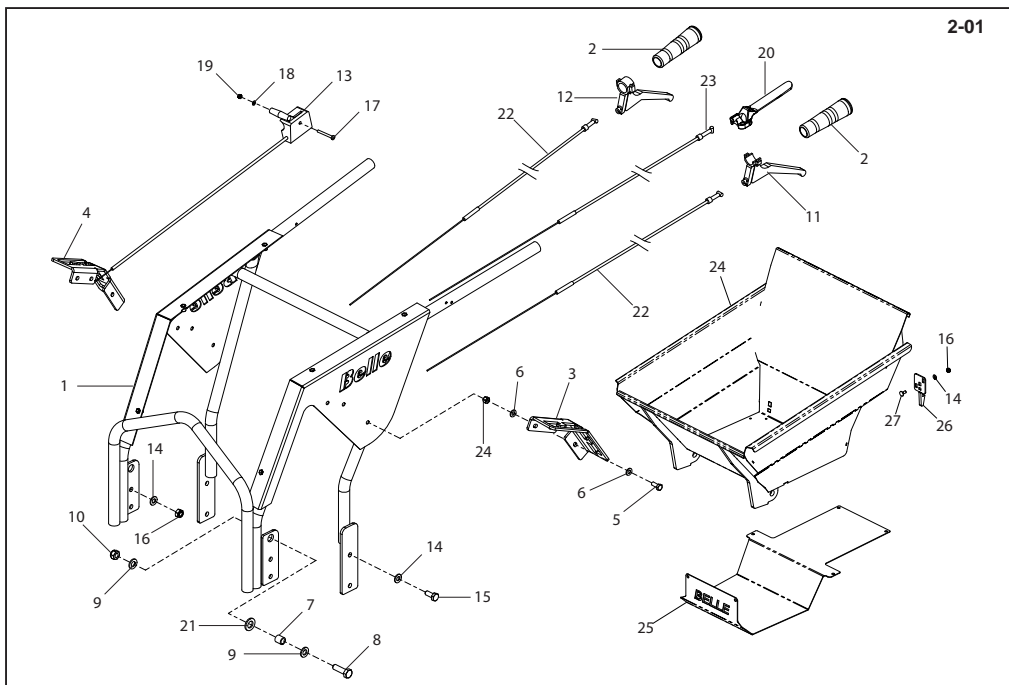
1-01

1	961/03100	Chassis	Chassis	Chassis	Chassis	→ 141778	1
1	961/03000	Chassis	Chassis	Chassis	Chassis	→ 141779	1
2	961/99906	Støun	Halterung	Beslag	Staffa		1
3	961/99916	Afstandsstuk	Distanzstück	Afstandsstykke	Distanziale		2
4	4/1204	Afdichtring	Scheibe	Spændeskive	Rondella	M12	4
5	8/12006	Moer	Mutter	Møtrik	Dado	M12	3
6	961/99914	Bus	Buchse	Bøsning	Boccola		1
7	4/1005	Afdichtring	Scheibe	Spændeskive	Rondella	M10	8
8	8/10006	Moer	Mutter	Møtrik	Dado	M10	6
9	9/10001	Bouten	Bolzen	Skrubolt	Bullone	M10 X 30	4
10	961/99918	Afstandsstuk	Distanzstück	Afstandsstykke	Distanziale		2
11	961/99941	Wielnaaf	Nabe	Hjulnav	Mozza		2
12	961/00900	Koppeling	Glied	Forbinderled	Attacco		1
13	3/3009	Pakkingring	Auge	Kordelstrop	Anello in gomma		3
14	05.3.062	Afdichtring	Scheibe	Spændeskive	Rondella	M8	2
15	8/8008	Moer	Mutter	Møtrik	Dado	M8	15
16	7/8060	Bouten	Bolzen	Skrubolt	Bullone	M8 X 20	2
17	4/8006	Afdichtring	Scheibe	Spændeskive	Rondella	M8	22
18	8/8020	Moer	Mutter	Møtrik	Dado	M10	8
19	3/5026	Elleboogstuk	Krümmer	Vinkelstykke	Gomito	M10	1
20	3/5027	Elleboogstuk	Krümmer	Vinkelstykke	Gomito	→ 114339	1
20	3/5026	Elleboogstuk	Krümmer	Vinkelstykke	Gomito	→ 114340	1
21	8/10003	Moer	Mutter	Møtrik	Dado	M10	1
22	8/10013	Moer	Mutter	Møtrik	Dado	→ 114339	1
22	8/10003	Moer	Mutter	Møtrik	Dado	→ 114340	1
23	961/99933	Staaft	Stange	Root	Asta	→ 114339	1
23	961/99986	Staaft	Stange	Root	Asta	→ 114340	1
24	7/8063	Schroef	Schraube	Skru	Vite	M8 X 16	3
25	53/0064	Flens	Flansch	Flange	Flangia		2
26	7/8011	Bouten	Bolzen	Skrubolt	Bullone	M8 X 2	6
27	00011	Stofkap	Staubschutzkappe	Støvhaette	Coperchio parapolvere		2
28	961/99938	Moer	Mutter	Møtrik	Dado		8
29	60/0438	Wiel - Rechts	Rad - Rechts	Hjul - Højre	Ruota - Lato Destro		1
29A	60/0444	Banden & Buis	Reifen & Rohrstück	Dæk & Rør	Gomme & Tubo		1
29B	60/0445	Buis	Rohrstück	Rør	Tubo		1
30	00.0.053	Bouten	Bolzen	Skrubolt	Bullone	M12 X 1,75	1
31	9/8020	Bouten	Bolzen	Skrubolt	Bullone	M8 X 60	4
32	8/8001	Moer	Mutter	Møtrik	Dado	M8	5
33	8/8011	Moer	Mutter	Møtrik	Dado	M6	6
34	7/8037	Schroef	Schraube	Skru	Vite	M8 X 16	6
35	961/99935	Naaf	Knauf	Studs	Borchia		1
36	961/99925	Veer	Feder	Fjeder	Mola		2
37	3/1018	Pen	Zapfen	Stift	Perno	4 X 45	1
38	60/0436	Wiel - Links	Rad - Links	Hjul - Venstre	Ruota - Lato Sinistro		1
39	53/0061	Lager	Lager	Leje	Rolamanto		2



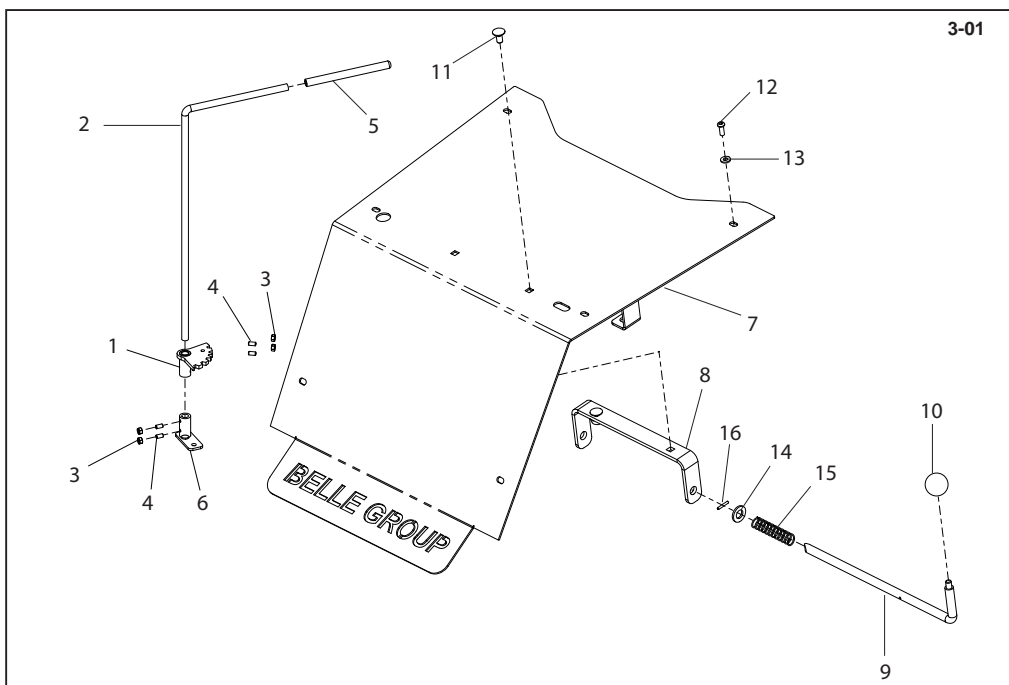
**Handle Assembly, Ensemble Guidon, Cjto manillar, Conjunto do Punho**

1	961/00300	Handle	Guidon	Manillar	Punho	Belle	1
1	961/00350	Handle	Guidon	Manillar	Punho	Belle	1
2	74/0011	Handle Grips	Poignée	Assas	Mãozotas		2
3	961/00310	Bracket	Patte de Montage	Escuadra	Suporte	141505	1
3	961/99955	Bracket	Patte de Montage	Escuadra	Suporte	141506	1
4	961/00312	Bracket	Patte de Montage	Escuadra	Suporte	141505	1
4	961/99954	Bracket	Patte de Montage	Escuadra	Suporte	141506	1
5	7/8011	Bolt	Boulon	Perno	Perno	M8 X 20	6
6	4/8006	Washer	Rondelle	Arandela	Anilha	M8	12
7	961/99915	Spacer	Entrefrise	Espaciador	Espagador		2
8	9/12001	Bolt	Boulon	Perno	Perno	M12 X 40	2
9	4/1204	Washer	Rondelle	Arandela	Anilha	M12	4
10	8/12006	Nut	Ecrou	Tuerca	Porca	M12	2
11	74/0019	Clutch Lever	Lever d'embrayage	Palanca de embrague	Alavanca de Embraiagem		1
12	74/0013	Skip Release Lever	Lever de basculement de benne	Palanca desenganche cuchara	Alavanca de libertação da caixa		1
13	74/0014	Throttle Lever	Lever d'accélérateur	Palanca de aceleración	Alavanca do estrangulador		1
14	4/1005	Washer	Rondelle	Arandela	Anilha	M10	10
15	9/10003	Bolt	Boulon	Perno	Perno	M10 X 25	4
16	8/10006	Nut	Ecrou	Tuerca	Porca	M10	6
17	7/5164	Screw	Vis	Tornillo	Parafuse	M5 X 10	1
18	4/5002	Washer	Rondelle	Arandela	Anilha	M5	1
19	8/5003	Nut	Ecrou	Tuerca	Porca	M5	1
20	961/99939	Park Brake Lever	Lever de disjoncteur	Palanca del interruptor/disjuntor	Alavanca de corte		1
21	4/1601	Washer	Rondelle	Arandela	Anilha	141505	2
21	961/99949	Washer	Rondelle	Arandela	Anilha	141506	2
22	74/0015	Cable	Câble	Cable	Cabo		2
23	74/0018	Brake Cable	Cable de frein	Cable de frenado	Cabo de Travão		1
24	961/03300S	Bucket - Orange	Codet - Orange	Cuchara - Naranja	Balide - Laranja	141778	1
24	961/03300B	Bucket - Blue	Codet - Bleu	Cuchara - Azul	Balide - Azul	141778	1
24	961/03300G	Bucket - Green	Codet - Vert	Cuchara - Verde	Balide - Verde	141778	1
24	961/03300R	Bucket - Red	Codet - Rouge	Cuchara - Roja	Balide - Vermelho	141778	1
24	961/03300Y	Bucket - Yellow	Codet - Jaune	Cuchara - Amarillo	Balide - Amarelo	141778	1
24	961/03200S	Bucket - Orange	Codet - Orange	Cuchara - Naranja	Balide - Laranja	141779	1
24	961/03200B	Bucket - Blue	Codet - Bleu	Cuchara - Azul	Balide - Azul	141779	1
24	961/03200G	Bucket - Green	Codet - Vert	Cuchara - Verde	Balide - Verde	141779	1
24	961/03200R	Bucket - Red	Codet - Rouge	Cuchara - Roja	Balide - Vermelho	141779	1
24	961/03200R2	Bucket - Red	Codet - Rouge	Cuchara - Roja	Balide - Vermelho	141779	1
24	961/03200Y	Bucket - Yellow	Codet - Jaune	Cuchara - Amarillo	Balide - Amarelo	141779	1
24	961/03200Y2	Bucket - Yellow	Codet - Jaune	Cuchara - Amarillo	Balide - Amarelo	141779	1
24	961/03200W	Bucket - White	Codet - Blanc	Cuchara - Blanco	Balide - Branco	141779	1
25	961/99905	Bracket	Patte de Montage	Escuadra	Suporte	Belle	1
25	961/99972	Bracket	Patte de Montage	Escuadra	Suporte	Belle	1
26	961/02700S	Latch - Orange	Verrou - Orange	Cerrojo - Naranja	Trinco - Laranja		1
26	961/02700B	Latch - Blue	Verrou - Bleu	Cerrojo - Azul	Trinco - Azul		1
26	961/02700G	Latch - Green	Verrou - Vert	Cerrojo - Verde	Trinco - Verde		1
26	961/02700R	Latch - Red	Verrou - Rouge	Cerrojo - Roja	Trinco - Vermelho		1
26	961/02700R2	Latch - Red	Verrou - Rouge	Cerrojo - Roja	Trinco - Vermelho		1
26	961/02700Y	Latch - Yellow	Verrou - Jaune	Cerrojo - Amarillo	Trinco - Amarelo		1
26	961/02700Y2	Latch - Yellow	Verrou - Jaune	Cerrojo - Amarillo	Trinco - Amarelo		1
26	961/02700W	Latch - White	Verrou - Blanc	Cerrojo - Blanco	Trinco - Branco		1
27	9/10032	Bolt	Boulon	Perno	Perno		2



## Hendel, Griff-Zsb, Håndtagsenhed, Gruppo impugnatura

1	961/00300	Hendel	Griff	Håndtag	Impugnatura	Belle	1
1	961/03500	Hendel	Griff	Handtag	Impugnatura	Belle	1
2	74/0011	Handgripen	Handgriffe	Handgriep	Guancette		2
3	961/00310	Steun	Haltering	Staffa		141505	1
3	961/99955	Steun	Haltering	Staffa		141506	1
4	961/00312	Steun	Haltering	Staffa		141505	1
4	961/99954	Steun	Haltering	Staffa		141506	1
5	7/8011	Bouten	Bolzen	Skruebolt	Bullone	M8 X 20	6
6	4/8006	Afdichtring	Scheibe	Spændeskive	Rondella	M8	12
7	961/99915	Afstandsstik	Distanzstück	Afstandsstykke	Distanziale		2
8	9/12001	Bouten	Bolzen	Skruebolt	Bullone	M12 X 40	2
9	4/1204	Afdichtring	Scheibe	Spændeskive	Rondella	M12	4
10	8/12006	Moer	Mutter	Dado	M12		2
11	74/0019	Kopplingshendel	Kupplungshebel	Koblinghåndtag	Leva Frizione		1
12	74/0013	Kantelhendel bak	Frigrivningshåndtag til dumperlad	Mulden Løsehebel	Leva per battamento vasca		1
13	74/0014	Gashendel	Drosselklappenhebel	Gashåndtag	Leva dell'acceleratore		1
14	4/1005	Afdichtring	Scheibe	Spændeskive	Rondella	M10	10
15	9/10003	Bouten	Bolzen	Skruebolt	Bullone	M10 X 25	4
16	8/10006	Moer	Mutter	Dado	M10		6
17	7/5164	Schroef	Schraube	Skrue	Vite	M5 X 10	1
18	4/8002	Afdichtring	Scheibe	Spændeskive	Rondella	M5	1
19	8/5003	Moer	Mutter	Matrik	Dado	M5	1
20	961/99939	Hendel voor noodstopshakelaar	Abstelhebel	Afbryderhåndtag	Leva dell'interruttore di sicurezza		1
21	4/1601	Afdichtring	Scheibe	Spændeskive	Rondella	141505	2
21	961/99949	Afdichtring	Scheibe	Spændeskive	Rondella	141506	2
22	74/0015	Kabel	Kabel	Kabel	Cavo		2
23	74/0018	Remkabel	Brmskabel	Bremsekabel	Cavo del freno		1
24	961/03300S	Emmer - Oranje	Barkasse - Orange	Fare - Orange	Secchio - Arancione	141778	1
24	961/03300B	Emmer - Blauw	Barkasse - Blau	Fare - Blå	Secchio - Blu	141778	1
24	961/03300G	Emmer - Groen	Barkasse - Grün	Fare - Grøn	Secchio - Verde	141778	1
24	961/03300R	Emmer - Rood	Barkasse - Rot	Fare - Rød	Secchio - Rosso	141778	1
24	961/03300Y2	Emmer - Geel	Barkasse - Gelb	Fare - Gul	Secchio - Giallo	141779	1
24	961/03200S	Emmer - Oranje	Barkasse - Orange	Fare - Orange	Secchio - Arancione	141779	1
24	961/03200B	Emmer - Blauw	Barkasse - Blau	Fare - Blå	Secchio - Blu	141779	1
24	961/03200G	Emmer - Groen	Barkasse - Grün	Fare - Grøn	Secchio - Verde	141779	1
24	961/03200R	Emmer - Rood	Barkasse - Rot	Fare - Rød	Secchio - Rosso	141779	1
24	961/03200R2	Emmer - Rood	Barkasse - Rot	Fare - Rød	Secchio - Rosso	141779	1
24	961/03200Y	Emmer - Geel	Barkasse - Gelb	Fare - Gul	Secchio - Giallo	141779	1
24	961/03200W	Emmer - Wit	Barkasse - Weiß	Fare - Hvid	Secchio - Bianco	141779	1
25	961/99905	Steun	Haltering	Staffa		Belle	1
25	961/99972	Steun	Haltering	Staffa		Belle	1
26	961/02700S	Grendel - Oranje	Riegel - Orange	Grendel - Orange	Dispositivo di bloccaggio - Arancione		1
26	961/02700B	Grendel - Blauw	Riegel - Blau	Grendel - Blå	Dispositivo di bloccaggio - Blu		1
26	961/02700G	Grendel - Groen	Riegel - Grün	Grendel - Grøn	Dispositivo di bloccaggio - Verde		1
26	961/02700R	Grendel - Rood	Riegel - Rot	Grendel - Rød	Dispositivo di bloccaggio - Rosso		1
26	961/02700R2	Grendel - Rood	Riegel - Rot	Grendel - Rød	Dispositivo di bloccaggio - Rosso		1
26	961/02700Y	Grendel - Geel	Riegel - Gelb	Grendel - Gul	Dispositivo di bloccaggio - Giallo		1
26	961/02700Y2	Grendel - Geel	Riegel - Gelb	Grendel - Gul	Dispositivo di bloccaggio - Giallo		1
26	961/02700W	Grendel - Wit	Riegel - Weiß	Grendel - Hvid	Dispositivo di bloccaggio - Bianco		1
27	9/10032	Bouten	Bolzen	Skruebolt	Bullone		2

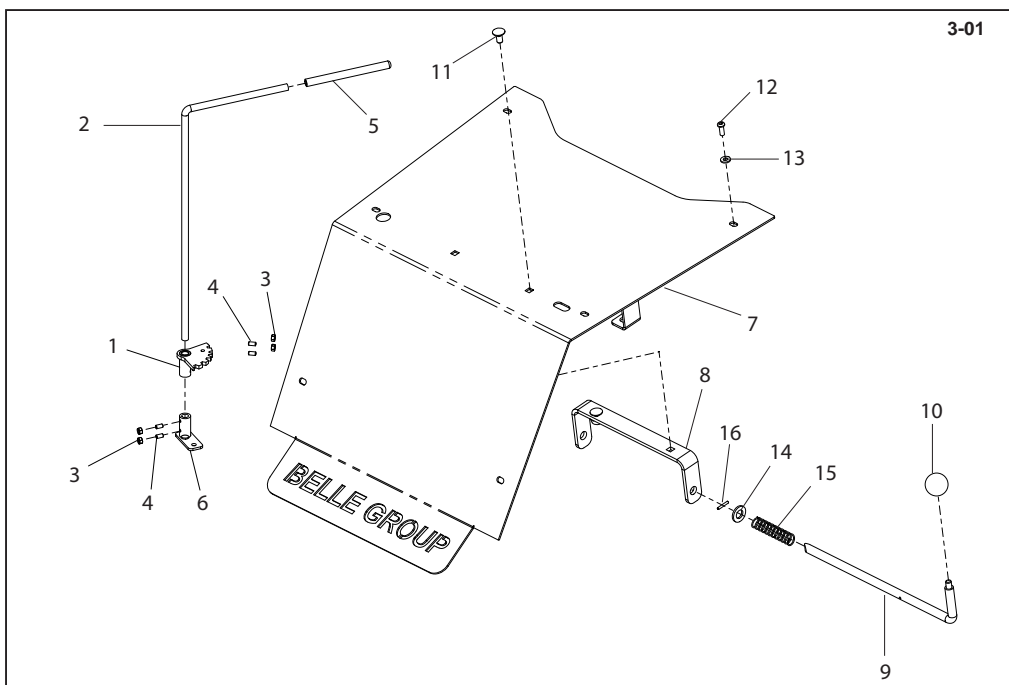


## Cowl Assembly, Ensemble Capot, Cjto Caperuza, Conjunto do Cobertura

3-01

► 141778

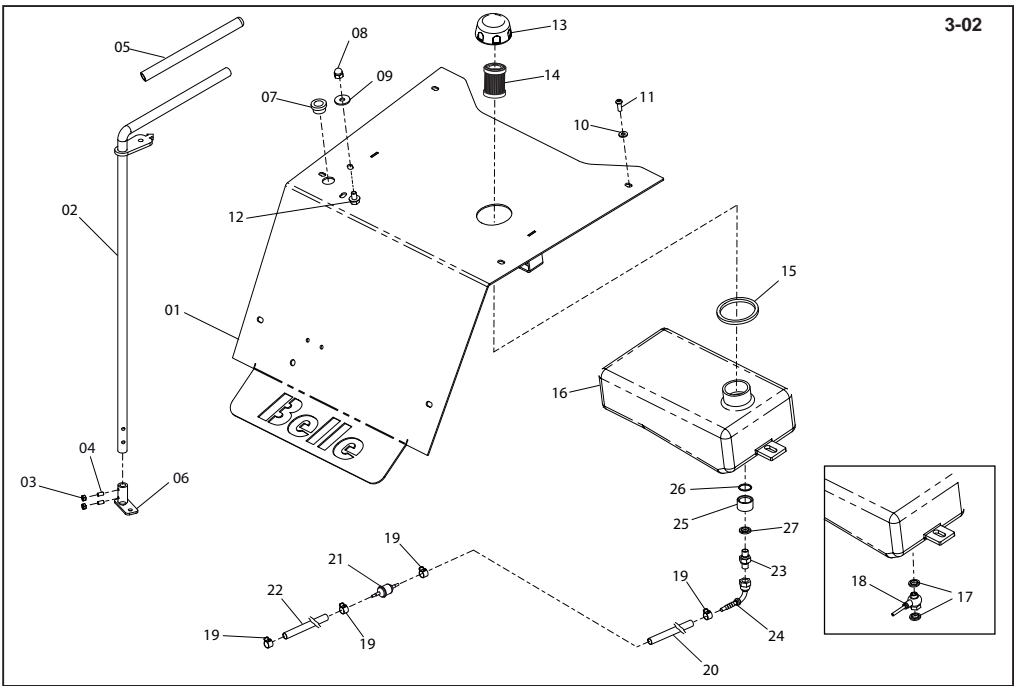
1	961/00700	Linkage	Connexion	Conexión	Ligação	1
2	961/01400	Bar	Barre	Barra	Barra	1
3	8/8001	Nut	Ecrou	Tuerca	Porca	M8 4
4	7/8063	Screw	Vis	Tornillo	Parafuse	M8 X 16 4
5	961/99932	Handle Grips	Poignée	Asas	Mãoszotas	1
6	961/00800	Pivot	Pivot	Pivote	Pivô	1
7	961/99908S	Cowl - Orange	Capot - Orange	Caperuza - Naranja	Cobertura - Laranja	1
7	961/99908B	Cowl - Blue	Capot - Bleu	Caperuza - Azul	Cobertura - Azul	1
7	961/99908G	Cowl - Green	Capot - Vert	Caperuza - Verde	Cobertura - Verde	1
7	961/99908R	Cowl - Red	Capot - Rouge	Caperuza - Roja	Cobertura - Vermelho	1
7	961/99908Y	Cowl - Yellow	Capot - Jaune	Caperuza - Amarillo	Cobertura - Amarelo	1
8	961/99913	Bracket	Patte de Montage	Escuadra	Suporte	1
9	961/99912	Bar	Barre	Barra	Barra	1
10	74/0012	Ball Knob	Poignée à pommeau	Pomo - bola	Botão - Esfera	M8 1
11	9/8064	Bolt	Boulon	Perno	Perno	M8 X 16 2
12	7/6046	Screw	Vis	Tornillo	Parafuse	M8 X 25 6
13	4/6007	Washer	Rondelle	Arandela	Anilha	M6 6
14	4/1204	Washer	Rondelle	Arandela	Anilha	M12 1
15	961/99924	Spring	Ressort	Resorte	Mola	1
16	3/0071	Roll Pin	Goupille fendue	Pivote de rodillo	Pino cilíndrico	3 X 20 1


**Vat Compleet , Wasserbehaelter -Zsb, Hættesenhed, Gruppo Cappuccio**

3-01

**→ I 141778**

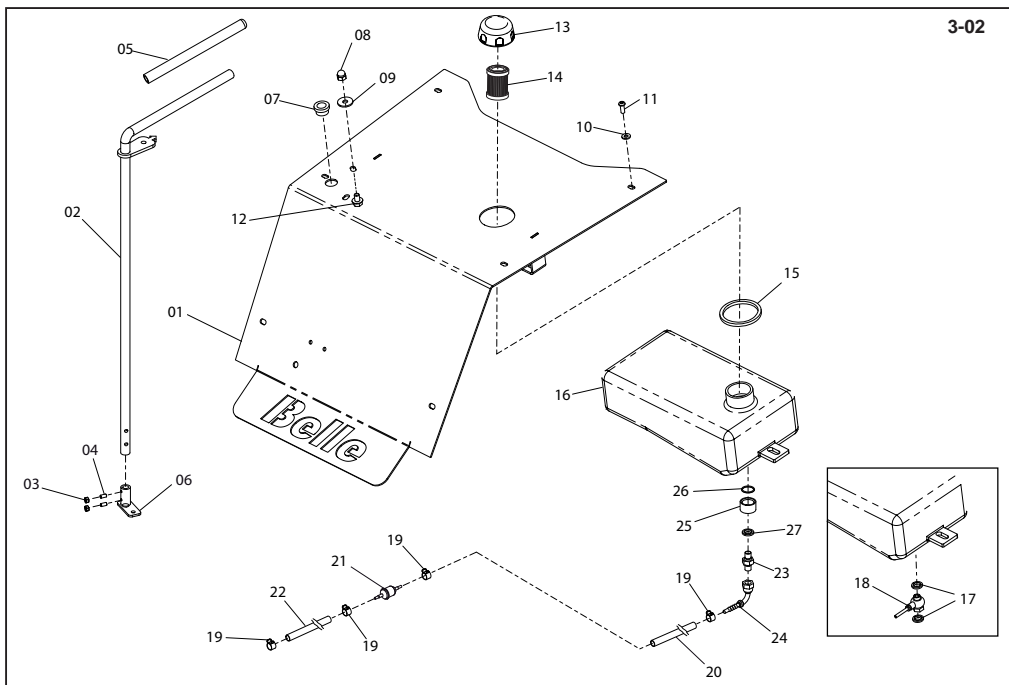
1	961/00700.....	Koppeling.....	Glied.....	Forbinderled.....	Attacco.....	1
2	961/01400.....	Stang.....	Stange.....	Stang.....	Barra.....	1
3	8/8001.....	Moer.....	Mutter.....	Møtrik.....	Dado.....	M8 4
4	7/8063.....	Schroef.....	Schraube.....	Skruer.....	Vite.....	M8 X 16 4
5	961/99932.....	Handgrepen.....	Handgriffe.....	Håndgreb.....	Guancette.....	1
6	961/00800.....	Rotoren.....	Achse.....	Dreje.....	Perno.....	1
7	154/01200S.....	Vat - Oranje.....	Wasserbehaelter - Orange.....	Hætte - Oranje.....	Cappuccio - Arancione.....	1
7	154/01200B.....	Vat - Blauw.....	Wasserbehaelter - Blau.....	Hætte - Blå.....	Cappuccio - Blu.....	1
7	154/01200G.....	Vat - Groen.....	Wasserbehaelter - Grün.....	Hætte - Grøn.....	Cappuccio - Verde.....	1
7	154/01200R.....	Vat - Rood.....	Wasserbehaelter - Rot.....	Hætte - Rød.....	Cappuccio - Rosso.....	1
7	154/01200Y.....	Vat - Geel.....	Wasserbehaelter - Gelb.....	Hætte - Gul.....	Cappuccio - Giallo.....	1
8	961/99913.....	Steun.....	Halterung.....	Beslag.....	Staffa.....	1
9	961/99912.....	Stang.....	Stange.....	Stang.....	Barra.....	1
10	74/0012.....	Knop - kogel.....	Kugelgriff.....	Knob - kugle.....	Manopola - sfera.....	M8 1
11	9/8064.....	Bouten.....	Bolzen.....	Skruebolt.....	Bullone.....	M8 X 16 2
12	7/6046.....	Schroef.....	Schraube.....	Skruer.....	Vite.....	M8 X 25 6
13	4/6007.....	Afdichtring.....	Scheibe.....	Spændeskive.....	Rondella.....	M6 6
14	4/1204.....	Afdichtring.....	Scheibe.....	Spændeskive.....	Rondella.....	M12 1
15	961/99924.....	Veer.....	Feder.....	Fjeder.....	Mola.....	1
16	3/0071.....	Spanstift.....	Zapfen, zylindr.....	Valsetap.....	Perno cilindrico.....	3 X 20 1



**Cowl Assembly, Ensemble Capot, Cjto Caperuzas, Conjunto do Cobertura**

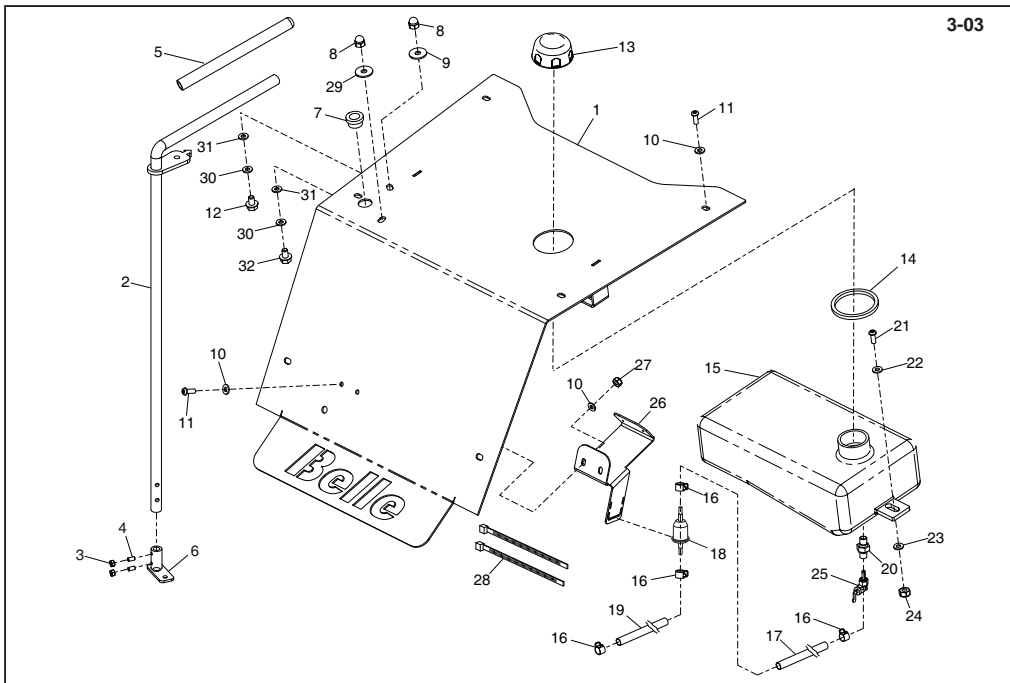
► 141779 ► 143039

01	961/99943S	Cowl - Orange	Capot - Orange	Caperuzas - Naranja	Cobertura - Laranja	► 141778	1
01	961/99943B	Cowl - Blue	Capot - Bleu	Caperuzas - Azul	Cobertura - Azul	► 141778	1
01	961/99943G	Cowl - Green	Capot - Vert	Caperuzas - Verde	Cobertura - Verde	► 141778	1
01	961/99943R	Cowl - Red	Capot - Rouge	Caperuzas - Roja	Cobertura - Vermelho	► 141778	1
01	961/99943Y	Cowl - Yellow	Capot - Jaune	Caperuzas - Amarillo	Cobertura - Amarelo	► 141778	1
01	961/01200S	Cowl - Orange	Capot - Orange	Caperuzas - Naranja	Cobertura - Laranja	Belle ► 141779	1
01	961/01200B	Cowl - Blue	Capot - Bleu	Caperuzas - Azul	Cobertura - Azul	Belle ► 141779	1
01	961/01200G	Cowl - Green	Capot - Vert	Caperuzas - Verde	Cobertura - Verde	Belle ► 141779	1
01	961/01200R	Cowl - Red	Capot - Rouge	Caperuzas - Roja	Cobertura - Vermelho	Belle ► 141779	1
01	961/01200Y	Cowl - Yellow	Capot - Jaune	Caperuzas - Amarillo	Cobertura - Amarelo	Belle ► 141779	1
01	961/03600S	Cowl - Orange	Capot - Orange	Caperuzas - Naranja	Cobertura - Laranja	► 141779	1
01	961/03600B	Cowl - Blue	Capot - Bleu	Caperuzas - Azul	Cobertura - Azul	► 141779	1
01	961/03600G	Cowl - Green	Capot - Vert	Caperuzas - Verde	Cobertura - Verde	► 141779	1
01	961/03600R	Cowl - Red	Capot - Rouge	Caperuzas - Roja	Cobertura - Vermelho	► 141779	1
01	961/03600R2	Cowl - Red	Capot - Rouge	Caperuzas - Roja	Cobertura - Vermelho	► 141779	1
01	961/03600Y	Cowl - Yellow	Capot - Jaune	Caperuzas - Amarillo	Cobertura - Amarelo	► 141779	1
01	961/03600W	Cowl - White	Capot - Blanc	Caperuzas - Blanco	Cobertura - Branco	► 141779	1
01	961/03600Y2	Cowl - Yellow	Capot - Jaune	Caperuzas - Amarillo	Cobertura - Amarelo	► 141779	1
02	961/01400	Bar	Barre	Barra	Barra	► 141779	1
03	8/8001	Nut	Ecrou	Tuerca	Porca	M8	2
04	7/8063	Screw	Vis	Tornillo	Parafuse	M8 X 16	2
05	961/99932	Handle Grips	Poignée	Asas	Mãoszotas	► 141779	1
06	961/00800	Pivot	Pivot	Pivote	Pivô	► 141779	1
07	961/99914	Grommet	Passe-fil	Ojal	Anel Isolante	► 141779	1
08	8/8022	Nut	Ecrou	Tuerca	Porca	M8	2
09	05.3.062	Washer	Rondelle	Arandela	Anilha	► 141779	2
10	4/6007	Washer	Rondelle	Arandela	Anilha	M6	6
11	7/6046	Screw	Vis	Tornillo	Parafuse	M6 X 16	6
12	7/8040	Screw	Vis	Tornillo	Parafuse	M8 X 12	2
13	158.0.012	Cap	Capuchon	Casquete	Tampa	► 141779	1
14	158.0.011	Filter	Filterre	Filtro	Filtro	► 141779	1
15	4/50001	Washer	Rondelle	Arandela	Anilha	M5	1
16	961/05100	Fuel Tank Kit	Kit de Réservoir de Carburant	Kit de Tanque de Combustible	Cjto. de Depósito de Combustível	► 142352	1
16	158.0.010	Fuel Tank	Réservoir de Carburant	Tanque de Combustible	Depósito de Combustível	► 142353	1
17	◄ 23 - 27	Washer	Rondelle	Arandela	Anilha	► 141779	2
18	◄ 23 - 27	Adaptor	Adaptateur	Adaptador	Adaptador	► 141779	1
19	15.0.085	Hose Clamp	Collier de Tuyau	Abrazadera para Manguera	Grampo da Tubagem	► 141779	4
20	25/00006	Hose	Tuyau	Manguera	Tubagem	► 141779	2
21	21/0055	Fuel Filter	Filterre à carburant	Filtro de combustible	Filtro de Combustível	► 141779	1
22	25/00007	Hose	Tuyau	Manguera	Tubagem	300mm	1
23	6/0219	Adaptor	Adaptateur	Adaptador	Adaptador	► 141779	1
24	6/0220	Hosetail	Extrémité de tuyau	Extremo manguera	Parte Final da Tubagem	► 141779	1
25	158.0.014	Ring	Anneau	Anillo	Anel	► 141779	1
25	15.0.289	O-Ring	Jeu Joint torique	Juego Junta tórica	Jogo Anel Vedante	► 141779	1
27	10-100-0510	Washer	Rondelle	Arandela	Anilha	► 141779	1


**Vat Compleet , Wasserbehaelter -Zsb, Hættesenhet, Gruppo Cappuccio**
**→ 141779 → 143039**

01	961/99943S	Vat - Oranje	Wasserbehaelter - Orange	Hætte - Orange	Cappuccio - Arancione	→ 141778	1
01	961/99943B	Vat - Blauw	Wasserbehaelter - Blau	Hætte - Blå	Cappuccio - Blu	→ 141778	1
01	961/99943G	Vat - Groen	Wasserbehaelter - Grün	Hætte - Grøn	Cappuccio - Verde	→ 141778	1
01	961/99943R	Vat - Rood	Wasserbehaelter - Rot	Hætte - Rød	Cappuccio - Rosso	→ 141778	1
01	961/99943Y	Vat - Geel	Wasserbehaelter - Gelb	Hætte - Gul	Cappuccio - Giallo	→ 141778	1
01	961/01200S	Vat - Oranje	Wasserbehaelter - Orange	Hætte - Orange	Cappuccio - Arancione	Belle → 141779	1
01	961/01200B	Vat - Blauw	Wasserbehaelter - Blau	Hætte - Blå	Cappuccio - Blu	Belle → 141779	1
01	961/01200G	Vat - Groen	Wasserbehaelter - Grün	Hætte - Grøn	Cappuccio - Verde	Belle → 141779	1
01	961/01200R	Vat - Rood	Wasserbehaelter - Rot	Hætte - Rød	Cappuccio - Rosso	Belle → 141779	1
01	961/01200Y	Vat - Geel	Wasserbehaelter - Gelb	Hætte - Gul	Cappuccio - Giallo	Belle → 141779	1
01	961/03600S	Vat - Oranje	Wasserbehaelter - Orange	Hætte - Orange	Cappuccio - Arancione	→ 141779	1
01	961/03600B	Vat - Blauw	Wasserbehaelter - Blau	Hætte - Blå	Cappuccio - Blu	→ 141779	1
01	961/03600G	Vat - Groen	Wasserbehaelter - Grün	Hætte - Grøn	Cappuccio - Verde	→ 141779	1
01	961/03600R	Vat - Rood	Wasserbehaelter - Rot	Hætte - Rød	Cappuccio - Rosso	→ 141779	1
01	961/03600R2	Vat - Rood	Wasserbehaelter - Rot	Hætte - Rød	Cappuccio - Rosso	→ 141779	1
01	961/03600Y	Vat - Geel	Wasserbehaelter - Gelb	Hætte - Gul	Cappuccio - Giallo	→ 141779	1
01	961/03600Y2	Vat - Wit	Wasserbehaelter - Weiß	Hætte - Hvid	Cappuccio - Bianco	→ 141779	1
01	961/03600Y2	Vat - Geel	Wasserbehaelter - Gelb	Hætte - Gul	Cappuccio - Giallo	→ 141779	1
02	961/01400	Stang	Stange	Stang	Barra		1
03	8/8001	Moer	Mutter	Motrik	Dado	M8	2
04	7/8063	Schroef	Schraube	Skruer	Vite	M8 X 16	2
05	961/99932	Handgrepen	Handgriffe	Guanette	Guanette		1
06	961/00800	Rotoren	Achse	Dreje	Perno		1
07	961/99914	Pakkingsring	Auge	Kordelstrop	Anello in gomma		1
08	8/8022	Moer	Mutter	Motrik	Dado	M8	2
09	05.3.062	Afdichtring	Scheibe	Spændeskive	Rondella		2
10	4/6007	Afdichtring	Scheibe	Spændeskive	Rondella	M6	6
11	7/6046	Schroef	Schraube	Skruer	Vite	M6 X 16	6
12	7/8040	Schroef	Schraube	Skruer	Vite	M8 X 12	2
13	158.0.012	Kap	Kappe	Hætte	Cappuccio		1
14	158.0.011	Filter	Filter	Filter	Filtro		1
15	4/50001	Afdichtring	Scheibe	Spændeskive	Rondella	M5	1
16	961/05100	Brandstoftankset	Kraftstofftanksatz	Benzintanksæt	Kit Serbatoio Carburante	→ 142352	1
16	158.0.010	Brandstoftank	Kraftstofftank	Benzintank	Serbatoio Carburante	→ 142353	1
17	↔ 23 - 27	Afdichtring	Scheibe	Spændeskive	Rondella		2
18	↔ 23 - 27	Adapter	Adapter	Adapter	Adattatore		1
19	15.0.085	Slangkleem	Schlauchschelle	Slangeklemme	Grampo da Tubagem		4
20	25/00006	Slang	Schlauch	Slange	Fascetta per flessibile		2
21	21/0058	Brandstofffilter	Kraftstofffilter	Benzinfilter	Filtro del Carburante		1
22	25/00007	Slang	Schlauch	Slange	Fascetta per flessibile	300mm	1
23	6/0219	Adapter	Adapter	Adapter	Adattatore		1
24	6/0220	Slangeindstuk	Schlauchende	Slangeende	Raccordo per flessibile		1
25	158.0.014	Ring	Ring	Ring	Anello		1
26	15.0.289	O-Ring	O-Ring	O-Ring	Anello Or		1
27	10-100-0510	Afdichtring	Scheibe	Spændeskive	Rondella		1

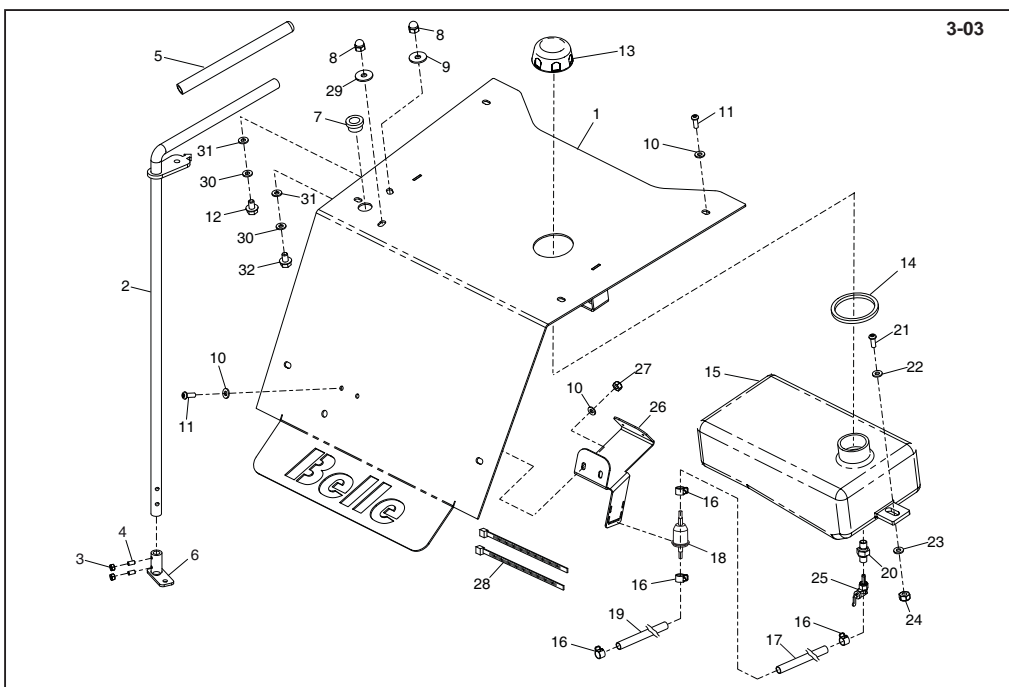




**Cowl Assembly, Ensemble Capot, Cjto Caperuza, Conjunto do Cobertura**

► 143040

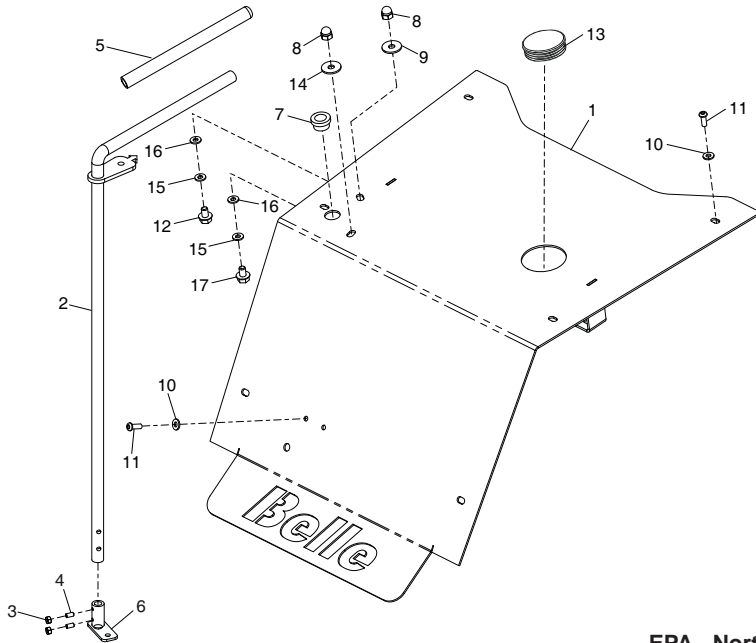
01	961/05300S	Cowl - Orange	Capot - Orange	Caperuza - Naranja	Cobertura - Laranja	Belle	1
01	961/05300B	Cowl - Blue	Capot - Bleu	Caperuza - Azul	Cobertura - Azul	Belle	1
01	961/05300G	Cowl - Green	Capot - Vert	Caperuza - Verde	Cobertura - Verde	Belle	1
01	961/05300R	Cowl - Red	Capot - Rouge	Caperuza - Roja	Cobertura - Vermelho	Belle	1
01	961/05300Y	Cowl - Yellow	Capot - Jaune	Caperuza - Amarillo	Cobertura - Amarelo	Belle	1
01	961/05300Y2	Cowl - Yellow	Capot - Jaune	Caperuza - Amarillo	Cobertura - Amarelo	Belle	1
01	961/05400S	Cowl - Orange	Capot - Orange	Caperuza - Naranja	Cobertura - Laranja	Belle	1
01	961/05400B	Cowl - Blue	Capot - Bleu	Caperuza - Azul	Cobertura - Azul	Belle	1
01	961/05400G	Cowl - Green	Capot - Vert	Caperuza - Verde	Cobertura - Verde	Belle	1
01	961/05400R	Cowl - Red	Capot - Rouge	Caperuza - Roja	Cobertura - Vermelho	Belle	1
01	961/05400Y	Cowl - Yellow	Capot - Jaune	Caperuza - Amarillo	Cobertura - Amarelo	Belle	1
02	961/01400	Bar	Barre	Barra	Barra		1
03	8/8001	Nut	Erou	Tuerca	Porca	M8	2
04	7/8063	Screw	Vis	Tornillo	Parafuse	M8 x 16	2
05	961/99932	Handle Grips	Poignée	Asas	Máozotas		1
06	961/00800	Pivot	Pivot	Pivote	Pivô		1
07	961/99914	Grommet	Passe-fil	Ojal	Anel Isolante		1
08	8/8022	Nut	Erou	Tuerca	Porca	M8	1
09	05.3.062	Washer	Rondelle	Arandela	Anilha		2
10	4/6007	Washer	Rondelle	Arandela	Anilha	M6	10
11	7/6046	Screw	Vis	Tornillo	Parafuse	M6 x 16	8
12	7/8008	Screw	Vis	Tornillo	Parafuse	M8 x 16	1
13	961/05202	Cap	Capuchon	Casquete	Tampa		1
14	4/50002	Washer	Rondelle	Arandela	Anilha	M5	1
15	961/05201	Fuel Tank	Kit de Réservoir de Carburant	Kit de Tanque de Combustible	Cjto. de Depósito de Combustivel		1
16	15.0.085	Hose Clamp	Collier de Tuyau	Abrazadera para Manguera	Grampo da Tubagem		4
17	25/00006	Hose	Tuyau	Manguera	Tubagem	300mm	2
18	21/00058	Fuel Filter	Filter à carburant	Filtro de combustible	Filtro de Combustivel		1
19	25/00007	Hose	Tuyau	Manguera	Tubagem	300mm	1
20	961/05203	Adaptor	Adaptateur	Adaptador	Adaptador		1
21	7/8012	Screw	Vis	Tornillo	Parafuse	M8 x 25	2
22	4/8007	Washer	Rondelle	Arandela	Anilha	M8	2
23	4/8006	Washer	Rondelle	Arandela	Anilha	M8	2
24	8/8008	Nut	Erou	Tuerca	Porca	M8	2
25	961/99987	Ball Valve	Robinet	Válvula esférica	Válvula de Esferas		1
26	961/99959	Bracket	Patte de Montage	Escuadra	Suporte		1
27	8/8007	Nut	Erou	Tuerca	Porca	M6	2
28	1/0005	Cable Tie	Serre-câble	Unión cable	Tirante de Cabo		2
29	961/99953	Washer	Rondelle	Arandela	Anilha		1
30	4/8003	Washer	Rondelle	Arandela	Anilha		2
31	4/8007	Washer	Rondelle	Arandela	Anilha		2
32	7/8011	Screw	Vis	Tornillo	Parafuse	M8 x 20	2



### Vat Compleet , Wasserbehälter -Zsb, Hættesenhed, Gruppo Cappuccio

143040

01	961/05300S	Vat - Oranje	Wasserbehälter - Orange	Hætte - Orange	Cappuccio - Arancione	Belle	1
01	961/05300B	Vat - Blauw	Wasserbehälter - Blau	Hætte - Bla	Cappuccio - Blu	Belle	1
01	961/05300G	Vat - Groen	Wasserbehälter - Grün	Hætte - Grøn	Cappuccio - Verde	Belle	1
01	961/05300R	Vat - Rood	Wasserbehälter - Rot	Hætte - Rød	Cappuccio - Rosso	Belle	1
01	961/05300Y	Vat - Geel	Wasserbehälter - Gelb	Hætte - Gul	Cappuccio - Giallo	Belle	1
01	961/05300Y2	Vat - Geel	Wasserbehälter - Gelb	Hætte - Gul	Cappuccio - Giallo	Belle	1
01	961/05400S	Vat - Oranje	Wasserbehälter - Orange	Hætte - Orange	Cappuccio - Arancione		1
01	961/05400B	Vat - Blauw	Wasserbehälter - Blau	Hætte - Bla	Cappuccio - Blu		1
01	961/05400G	Vat - Groen	Wasserbehälter - Grün	Hætte - Grøn	Cappuccio - Verde		1
01	961/05400R	Vat - Rood	Wasserbehälter - Rot	Hætte - Rød	Cappuccio - Rosso		1
01	961/05400Y	Vat - Geel	Wasserbehälter - Gelb	Hætte - Gul	Cappuccio - Giallo		1
02	961/01400	Stang	Stange	Stang	Barra		1
03	8/8001	Moer	Mutter	Møtrik	Dado	M8	2
04	7/8063	Schroef	Schraube	Skruer	Vite	M8 X 16	2
05	961/99932	Handgrepen	Handgriffe	Handgreb	Guanette		1
06	961/00800	Rotoren	Achse	Dreje	Perno		1
07	961/99914	Pakkingring	Auge	Kordelstrop	Anello in gomma		1
08	8/8022	Moer	Mutter	Møtrik	Dado	M8	2
09	05.3.062	Afdichtring	Scheibe	Spændeskive	Rondella		2
10	4/6007	Afdichtring	Scheibe	Spændeskive	Rondella	M6	6
11	7/6046	Schroef	Schraube	Skruer	Vite	M6 X 16	6
12	7/8040	Schroef	Schraube	Skruer	Vite	M8 X 12	2
13	961/05202	Kap	Kappe	Hætte	Cappuccio		1
14	4/50002	Afdichtring	Scheibe	Spændeskive	Rondella	M5	1
15	961/05201	Brandstoftank	Kraftstofftank	Benzintank	Serbaioio Carburante		1
16	15.0.085	Slangklem	Schlauchschele	Slangeklemme	Grampo da Tubagem		4
17	25/00006	Slang	Schlauch	Slange	Fascetta per flessibile		2
18	21/0058	Brandstofffilter	Kraftstofffilter	Brandzifilter	Filtro del Carburante		1
19	25/00007	Slang	Schlauch	Slange	Fascetta per flessibile	300mm	1
20	6/0219	Adapter	Adapter	Adapter	Adattatore		1
21	7/8012	Schroef	Schraube	Skruer	Vite	M8 x 25	2
22	4/8007	Afdichtring	Scheibe	Spændeskive	Rondella	M8	2
23	4/8006	Afdichtring	Scheibe	Spændeskive	Rondella	M8	2
24	8/8008	Moer	Mutter	Møtrik	Dado	M8	2
25	961/99987	Kogeklep	Kugelventil	Kugelventill	Vainvola a sfera		1
26	961/99959	Steu	Halterung	Beslag	Staffa		1
27	8/8007	Moer	Mutter	Møtrik	Dado	M6	2
28	1/0005	Kabelgat	Kabelbinder	Kabelbånd	Legaccio per cavo		2
29	961/99953	Afdichtring	Scheibe	Spændeskive	Rondella		1
30	4/8003	Afdichtring	Scheibe	Spændeskive	Rondella		2
31	4/8007	Afdichtring	Scheibe	Spændeskive	Rondella		2
32	7/8011	Schroef	Schraube	Skruer	Vite	M8 x 20	1

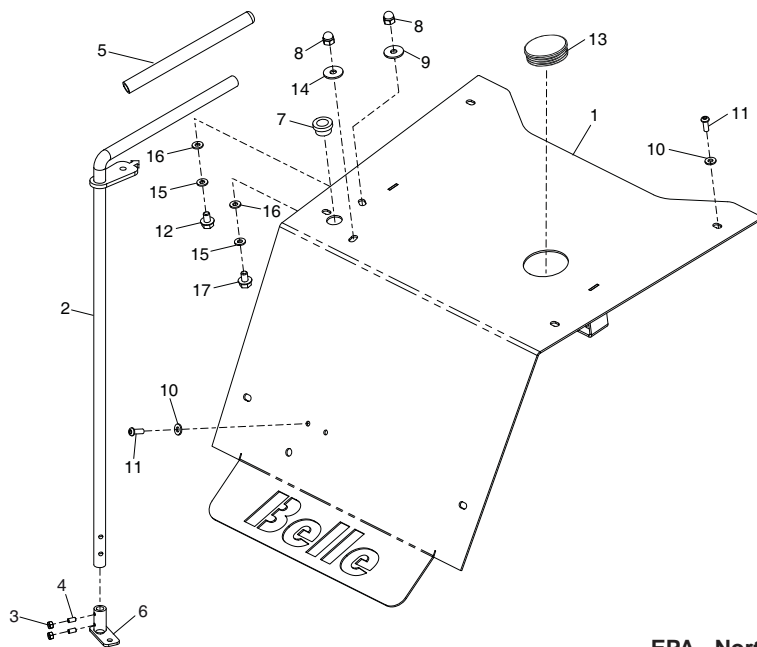


EPA - North America

**Cowl Assembly, Ensemble Capot, Cjto Caperuza, Conjunto do Cobertura**

➔ 144934 ➔ 144934

1	961/05300S	Cowl - Orange	Capot - Orange	Caperuza - Naranja	Cobertura - Laranja	Belle	1
1	961/05300B	Cowl - Blue	Capot - Bleu	Caperuza - Azul	Cobertura - Azul	Belle	1
1	961/05300G	Cowl - Green	Capot - Vert	Caperuza - Verde	Cobertura - Verde	Belle	1
1	961/05300R	Cowl - Red	Capot - Rouge	Caperuza - Roja	Cobertura - Vermelho	Belle	1
1	961/05300Y	Cowl - Yellow	Capot - Jaune	Caperuza - Amarillo	Cobertura - Amarelo	Belle	1
1	961/05300Y2	Cowl - Yellow	Capot - Jaune	Caperuza - Amarillo	Cobertura - Amarelo	Belle	1
1	961/05400S	Cowl - Orange	Capot - Orange	Caperuza - Naranja	Cobertura - Laranja	Belle	1
1	961/05400B	Cowl - Blue	Capot - Bleu	Caperuza - Azul	Cobertura - Azul	Belle	1
1	961/05400G	Cowl - Green	Capot - Vert	Caperuza - Verde	Cobertura - Verde	Belle	1
1	961/05400R	Cowl - Red	Capot - Rouge	Caperuza - Roja	Cobertura - Vermelho	Belle	1
1	961/05400Y	Cowl - Yellow	Capot - Jaune	Caperuza - Amarillo	Cobertura - Amarelo	Belle	1
2	961/01400	Bar	Barre	Barra	Barra		1
3	8/8001	Nut	Erou	Tuerca	Porca	M8	2
4	7/8063	Screw	Vis	Tornillo	Parafuse	M8 x 16	2
5	961/99932	Handle Grips	Poignée	Asas	Mãozotas		1
6	961/00800	Pivot	Pivot	Pivote	Pivô		1
7	961/99914	Grommet	Passe-fil	Ojal	Anel Isolante		1
8	8/8022	Nut	Erou	Tuerca	Porca	M8	1
9	05.3.062	Washer	Rondelle	Arandela	Anilha		2
10	4/6007	Washer	Rondelle	Arandela	Anilha	M6	10
11	7/6046	Screw	Vis	Tornillo	Parafuse	M6 x 16	8
12	7/8008	Screw	Vis	Tornillo	Parafuse	M8 x 16	1
13	3/4045	Bung	Obturbateur	Tapón	Tampão		1
14	961/99953	Washer	Rondelle	Arandela	Anilha		1
15	4/8003	Washer	Rondelle	Arandela	Anilha		2
16	4/8007	Washer	Rondelle	Arandela	Anilha		2
17	7/8011	Screw	Vis	Tornillo	Parafuse	M8 x 20	1



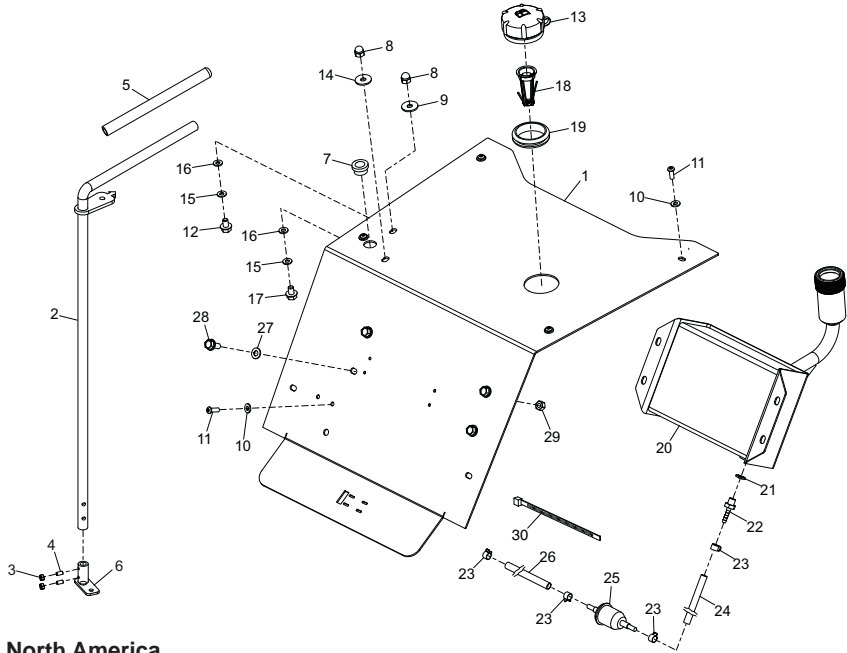
EPA - North America

**Vat Compleet , Wasserbehaelter -Zsb, Hættesenhet, Gruppo Cappuccio**

3-04

**144934**

01	961/05300S	Vat - Oranje	Wasserbehaelter - Orange	Hætte - Orange	Cappuccio - Arancione	Belle	1
01	961/05300B	Vat - Blauw	Wasserbehaelter - Blau	Hætte - Blå	Cappuccio - Blu	Belle	1
01	961/05300G	Vat - Groen	Wasserbehaelter - Grün	Hætte - Grøn	Cappuccio - Verde	Belle	1
01	961/05300R	Vat - Rood	Wasserbehaelter - Rot	Hætte - Rød	Cappuccio - Rosso	Belle	1
01	961/05300Y	Vat - Geel	Wasserbehaelter - Gelb	Hætte - Gul	Cappuccio - Giallo	Belle	1
01	961/05300Y2	Vat - Geel	Wasserbehaelter - Gelb	Hætte - Gul	Cappuccio - Giallo	Belle	1
01	961/05400S	Vat - Oranje	Wasserbehaelter - Orange	Hætte - Orange	Cappuccio - Arancione		1
01	961/05400B	Vat - Blauw	Wasserbehaelter - Blau	Hætte - Blå	Cappuccio - Blu		1
01	961/05400G	Vat - Groen	Wasserbehaelter - Grün	Hætte - Grøn	Cappuccio - Verde		1
01	961/05400R	Vat - Rood	Wasserbehaelter - Rot	Hætte - Rød	Cappuccio - Rosso		1
01	961/05400Y	Vat - Geel	Wasserbehaelter - Gelb	Hætte - Gul	Cappuccio - Giallo		1
02	961/01400	Stang	Stange	Stang	Barra		1
03	8/8001	Moer	Mutter	Møtrik	Dado	M8	2
04	7/8063	Schroef	Schraube	Skruer	Vite	M8 X 16	2
05	961/99932	Handgripen	Handgriffe	Handgrib	Guancette		1
06	961/00800	Rotoren	Achse	Dreje	Perno		1
07	961/99914	Pakkingring	Auge	Kordelstrop	Anello in gomma		1
08	8/8022	Moer	Mutter	Møtrik	Dado	M8	2
09	05.3.062	Afdichtring	Scheibe	Spændeskive	Rondella		2
10	4/6007	Afdichtring	Scheibe	Spændeskive	Rondella	M6	6
11	7/6046	Schroef	Schraube	Skruer	Vite	M6 X 16	6
12	7/8040	Schroef	Schraube	Skruer	Vite	M8 X 12	2
13	3/4045	Plug	Spund	Spuns	Tappo		1
14	961/99953	Afdichtring	Scheibe	Spændeskive	Rondella		1
15	4/8003	Afdichtring	Scheibe	Spændeskive	Rondella		2
16	4/8007	Afdichtring	Scheibe	Spændeskive	Rondella		2
17	7/8011	Schroef	Schraube	Skruer	Vite	M8 x 20	1

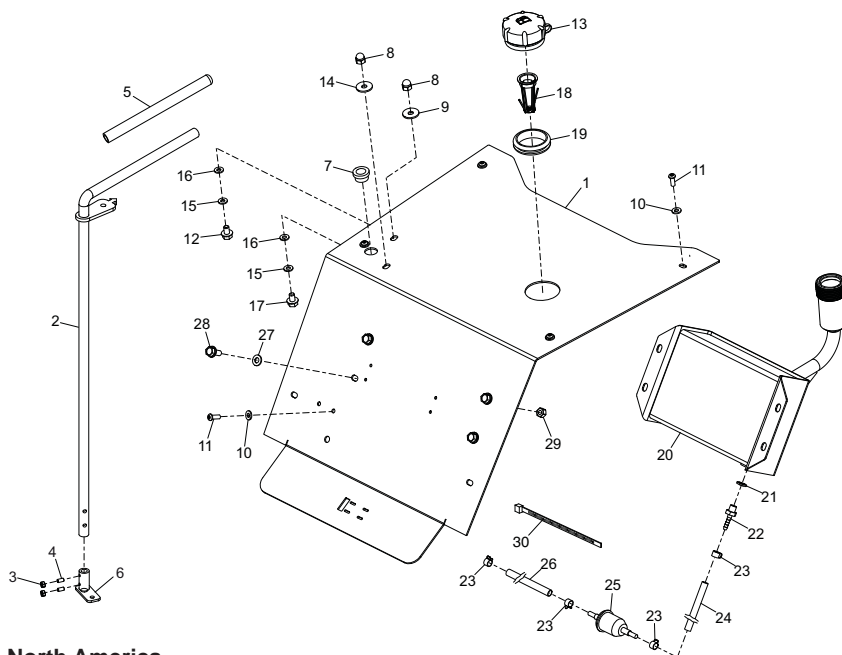


EPA - North America

**Cowl Assembly, Ensemble Capot, Cjto Caperuza, Conjunto do Cobertura**

146133

1	961/99999	Cowl	Capot	Caperuza	Cobertura	1
2	961/01400	Bar	Barre	Barra	Barra	1
3	8/8001	Nut	Ecrou	Tuerca	Porca	M8 2
4	7/8063	Screw	Vis	Tornillo	Parafuse	M8 x 16 2
5	961/99932	Handle Grips	Poignée	Asas	Mãoszotas	1
6	961/00800	Pivot	Pivot	Pivote	Pivô	1
7	961/99914	Grommet	Passe-til	Ojal	Anel Isolante	1
8	8/8022	Nut	Ecrou	Tuerca	Porca	M8 1
9	05.3.062	Washer	Rondelle	Arandela	Anilha	2
10	4/6007	Washer	Rondelle	Arandela	Anilha	M6 10
11	7/8046	Screw	Vis	Tornillo	Parafuse	M6 x 16 8
12	7/8008	Screw	Vis	Tornillo	Parafuse	M8 x 16 1
13	41/00018	Cap	Capuchon	Casquete	Tampa	1
14	961/99953	Washer	Rondelle	Arandela	Anilha	1
15	4/8003	Washer	Rondelle	Arandela	Anilha	M8 2
16	4/8007	Washer	Rondelle	Arandela	Anilha	M8 2
17	7/8011	Screw	Vis	Tornillo	Parafuse	M8 x 20 1
18	980/99972	Fuel Level Indicator	Indicateur de niveau de carburant	Indicador de Nivel de Combustible	Indicador de Nivel de Combustível	1
19	3/3014	Grommet	Passe-til	Ojal	Anel Isolante	1
20	961/07100	Fuel Tank	Kit de Réservoir de Carburant	Kit de Tanque de Combustible	Cjto. de Depósito de Combustível	1
21	5/0018	Seal	Joint d'étanchéité	Obturator	Vedação	1
22	6/0257	Adaptor	Adaptateur	Adaptador	Adaptador	1
23	15.0.085	Hose Clamp	Collier de Tuyau	Abrazadera para Manguera	Grampo da Tubagem	4
24	25/00008	Hose	Tuyau	Manguera	Tubagem	0.23M
25	21.0.327	Fuel Filter	Filtere à carburant	Filtro de combustible	Filtro de Combustível	1
26	25/00008	Hose	Tuyau	Manguera	Tubagem	0.5M
27	4/8006	Washer	Rondelle	Arandela	Anilha	M8 4
28	7/8037	Screw	Vis	Tornillo	Parafuse	M8 x 20 4
29	8/8008	Nut	Ecrou	Tuerca	Porca	M8 4
30	1/0005	Cable Tie	Serre-câble	Union cable	Tirante de Cabo	1

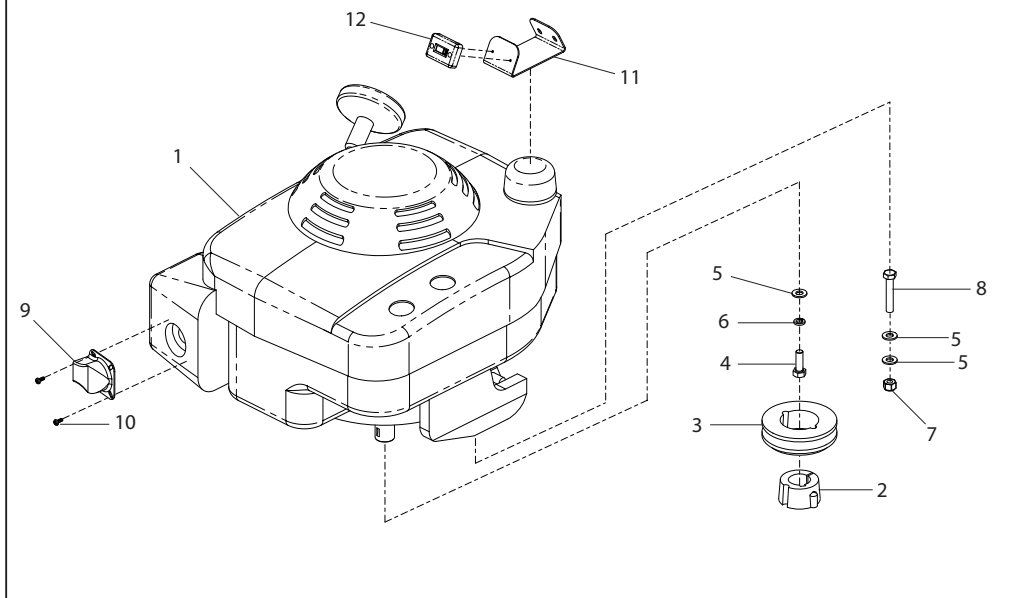


EPA - North America

## Vat Compleet , Wasserbehaelster -Zsb, Hættesenhed, Gruppo Cappuccio

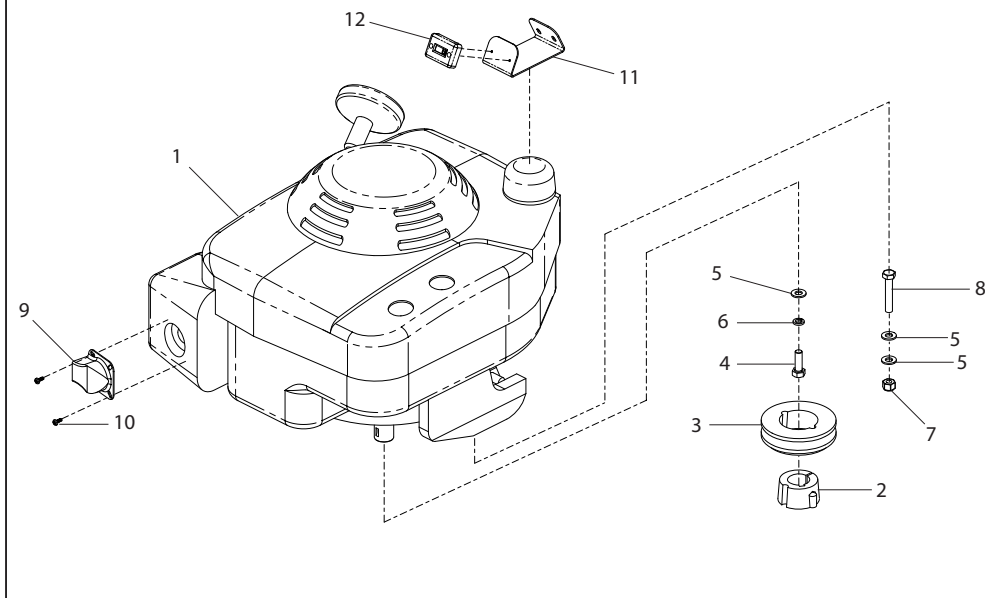
146133

1	961/99999	Vat	Wasserbehaelster	Hætte	Cappuccio	1
2	961/01400	Stang	Stange	Stang	Barra	1
3	8/8001	Moer	Mutter	Møtrik	Dado	M8
4	7/8063	Schroef	Schraube	Skruue	Vite	M8 X 16
5	961/99932	Handgripen	Handgriffe	Håndgrieb	Guancette	1
6	961/00800	Rotoren	Achse	Dreje	Perno	1
7	961/99914	Pakkingring	Auge	Kordelstrop	Anello in gomma	1
8	8/8022	Moer	Mutter	Møtrik	Dado	M8
9	05.3.062	Afdichtring	Scheibe	Spændeskive	Rondella	2
10	4/6007	Afdichtring	Scheibe	Spændeskive	Rondella	2
11	7/6046	Schroef	Schraube	Skruue	Vite	M6 X 16
12	7/8040	Schroef	Schraube	Skruue	Vite	M8 X 12
13	41/00018	Kap	Kappe	Hætte	Cappuccio	1
14	961/99953	Afdichtring	Scheibe	Spændeskive	Rondella	1
15	4/8003	Afdichtring	Scheibe	Spændeskive	Rondella	2
16	4/8007	Afdichtring	Scheibe	Spændeskive	Rondella	2
17	7/8011	Schroef	Schraube	Skruue	Vite	M8 x 20
18	980/99972	Brandstof Niveau-Indicator	Tankanzeige	Brændstof Niveau Indikator	Indicatore di Livello del Carburante	1
19	3/3014	Pakkingring	Auge	Kordelstrop	Anello in gomma	1
20	961/07100	Brandstoftank	Kraftstofftank	Benztintank	Serbatoio Carburante	1
21	5/0018	Afdichtring	Dichtung	Tætning	Tenuta	1
22	6/0257	Adapter	Adapter	Adapter	Adattatore	1
23	15.0.085	Slangklem	Schlauchschelle	Slangeklemme	Grampo da Tubagem	4
24	25/00008	Slang	Schlauch	Slange	Fascetta per flessibile	0.23M
25	21.0.327	Brandstofffilter	Kraftstofffilter	Benzinfilter	Filtro del Carburante	1
26	25/00008	Slang	Schlauch	Slange	Fascetta per flessibile	0.5M
27	4/8006	Afdichtring	Scheibe	Spændeskive	Rondella	M8
28	7/8037	Schroef	Schraube	Skruue	Vite	M8 x 20
29	8/8008	Moer	Mutter	Møtrik	Dado	M8
30	1/0005	Cable Tie	Serre-câble	Union cable	Tirante de Cabo	1


**Engine, Moteur, Motor, Motor**

4-01

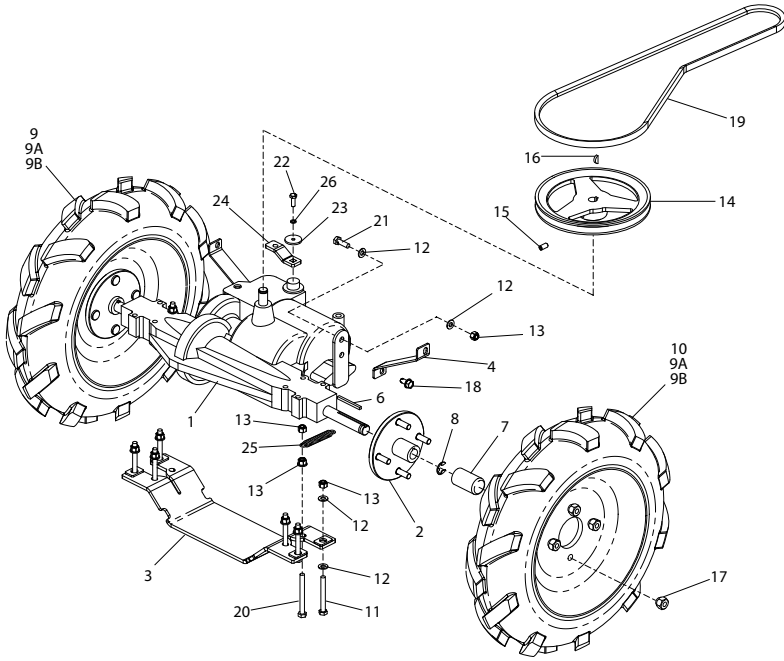
1	20/0073	Engine	Moteur	Motor	Motor	Honda GXV 160	1
2	21/0255	Bush	Douille	Buje	Bucha		1
3	21/0259	Pulley	Poele	Polea	Polia		1
4	02.3.020	Screw	Vis	Tornillo	Parafuse	5/16"	4
5	4/8006	Washer	Rondelle	Arandela	Anilha	M8	10
6	4/8003	Washer	Rondelle	Arandela	Anilha	M8	4
7	8/8008	Nut	Ecrou	Tuerca	Porca	M8	3
8	9/8017	Bolt	Boulon	Perno	Perno	M8 X 45	3
9	21/0236	Guard Plate	Plaque de Protection	Placa de defensa	Placa de Guarda		1
10	21.0.140	Screw	Vis	Tornillo	Parafuse	M6 X 14	2
11	961/99959	Plate	Plaque	Placa	Placa		1
12	70/0254	Hourmeter	Compteur Horaire	Cuenta horas	Conta-Horas		1


**Motor, Motor, Motor, Motore**

4-01

1	20/0073	Motor	Motor	Motor	Motore	Honda GXV 160	1
2	21/0255	Bus	Buchse	Bøsning	Boccola		1
3	21/0259	Poelie	Riemenscheibe	Remskive	Puleggia		1
4	02.3.020	Schroef	Schraube	Skruue	Vite	5/16"	4
5	4/8006	Afdichtring	Scheibe	Spændeskive	Rondella	M8	10
6	4/8003	Afdichtring	Scheibe	Spændeskive	Rondella	M8	4
7	8/8008	Moer	Mutter	Møtrik	Dado	M8	3
8	9/8017	Bouten	Bolzen	Skruébolt	Bullone	M8 X 45	3
9	21/0236	Bescheringsplaat	Schutzplatte	Skærmpfade	Piastra di protezione		1
10	21.0.140	Schroef	Schraube	Skruue	Vite	M6 X 14	2
11	961/99959	Plaat	Platte	Plade	Piastra		1
12	70/0254	Urenteller	Stundenzähler		Contaore		1



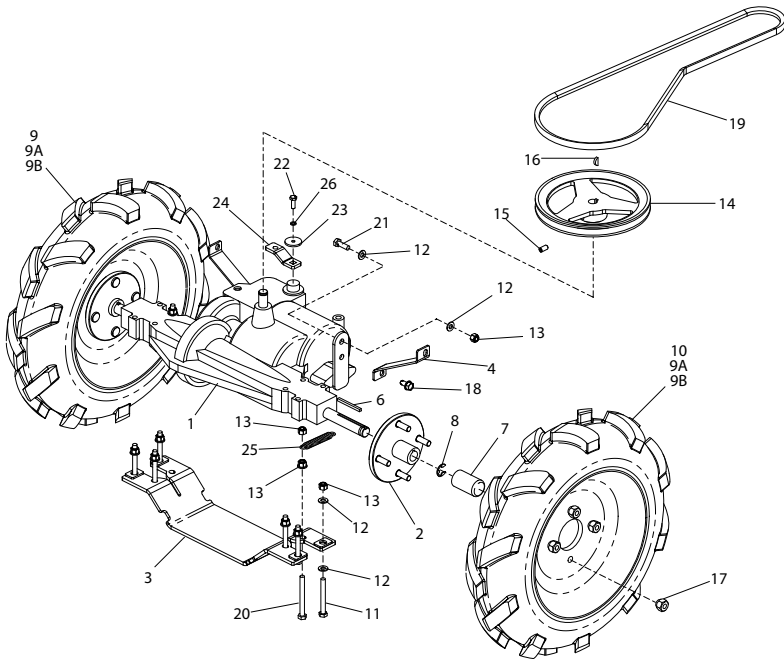


**Gearbox Assembly, Ensemble boîte de vitesses,  
Conjunto de caja de engranajes, Conjunto da Caixa de Engrenagens**

1	961/99922	..... Gearbox Casing	..... Boîte de vitesses	..... Caja de engranajes	..... Caixa de engranagens	..... 1
2	961/05700	..... Wheel Hub	..... Moyeu	..... Cubo Reductor	..... Cubo da Roda	..... 2
3	961/00400	..... Bracket	..... Patte de Montage	..... Escudra	..... Suporte	..... 1
4	961/99940	..... Bracket	..... Patte de Montage	..... Escudra	..... Suporte	..... 1
5	961/99904	..... Bracket	..... Patte de Montage	..... Escudra	..... Suporte	..... 1
6	06.8.003	..... Key	..... Clavette	..... Chaveta	..... Chave	..... 3/16"sq X 2"
7	961/99923	..... Cover	..... Couvercle	..... Cubierta	..... Tampa	..... 2
8	3/1017	..... Clip	..... Collier	..... Presilla	..... Grampo	..... 5/8"
9	60/0438	..... Wheel - Right	..... Roue - Droite	..... Rueda - Derecha	..... Roda - Lado Direito	..... 1
9A	60/0444	..... Tyre & Tube	..... Pneu & Tube	..... Neumático & Tubo	..... Pneus & Tubo	..... 1
9B	60/0445	..... Tube	..... Tube	..... Tubo	..... Tubo	..... 1
10	60/0436	..... Wheel - Left	..... Roue - Gauche	..... Rueda - Izquierda	..... Roda - Lado Esquerdo	..... 1
11	9/8022	..... Bolt	..... Boulon	..... Perno	..... Perno	..... M8 X 70
12	4/8006	..... Washer	..... Rondelle	..... Arandela	..... Anilha	..... M8
13	8/8008	..... Nut	..... Ecrou	..... Tuerca	..... Porca	..... M8
14	21/0249	..... Pulley	..... Poelle	..... Polea	..... Polia	..... 1
15	7/8063	..... Screw	..... Vis	..... Tornillo	..... Parafuse	..... 8 x 16
16	961/99929	..... Key	..... Clavette	..... Chaveta	..... Chave	..... 16 X 4
17	961/99937	..... Nut	..... Ecrou	..... Tuerca	..... Porca	..... 8
18	7/8059	..... Screw	..... Vis	..... Tornillo	..... Parafuse	..... M8 X 12
19	21/0247	..... Belt	..... Courroie	..... Correa	..... Cinta	..... 1
20	9/8048	..... Bolt	..... Boulon	..... Perno	..... Perno	..... M8 X 80
21	7/8060	..... Bolt	..... Boulon	..... Perno	..... Perno	..... M8 X 20
22	7/6038	..... Screw	..... Vis	..... Tornillo	..... Parafuse	..... 1
23	4/6015	..... Washer	..... Rondelle	..... Arandela	..... Anilha	..... 30 X 6.2 X 3
24	961/99930	..... Plate	..... Plaque	..... Placa	..... Placa	..... 141423
24	961/99944	..... Plate	..... Plaque	..... Placa	..... Placa	..... 141424
25	961/99925	..... Spring	..... Ressort	..... Resorte	..... Mola	..... 1
26	4/6005	..... Washer	..... Rondelle	..... Arandela	..... Anilha	..... M6

**Not Shown**

27	961/99988	..... Brake Pad	..... Tampon de Frein	..... Chapa de freno	..... Bloco do Freio	..... 2
----	-----------	-----------------	-----------------------	----------------------	----------------------	---------

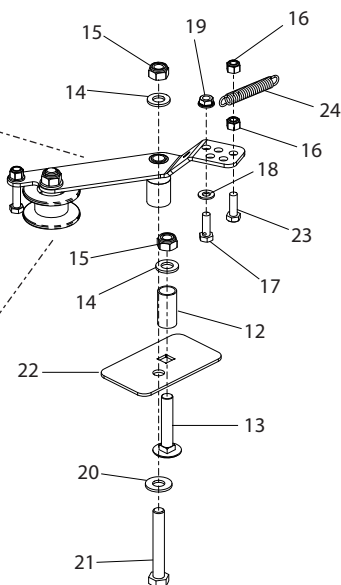
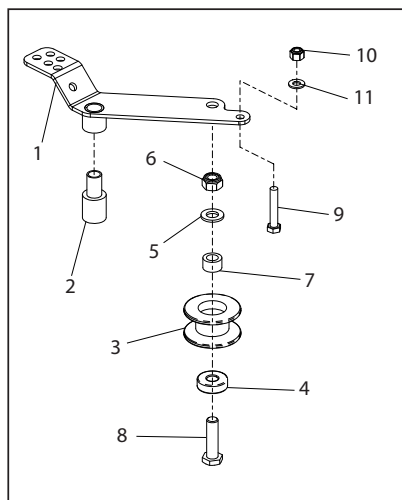


**Gearkasemontage, Getriebe-Zsb.,  
Vernellingsbak., Gruppo scatola ingranaggi**

1	961/99922	..... Gearkasse	..... Getriebe	..... Vernellingsbak	..... Scatola Ingranaggi	..... 1
2	961/05700	..... Wielnaaf	..... Nabe	..... Hjulnav	..... Mozza	..... 2
3	961/00400	..... Steun	..... Halterung	..... Beslag	..... Staffa	..... 1
4	961/99940	..... Steun	..... Halterung	..... Beslag	..... Staffa	..... 1
5	961/99904	..... Steun	..... Halterung	..... Beslag	..... Staffa	..... 1
6	06.8.003	..... Spie	..... Keil	..... Kile	..... Chiave	..... 3/16"sq X 2" ... 2
7	961/99923	..... Deksel	..... Abdeckung	..... Kappe	..... Coperchio	..... 2
8	3/1017	..... Clip	..... Klem	..... Klemme	..... Fermaglio	..... 5/8" ... 2
9	60/0438	..... Wiel - Rechts	..... Rad - Rechts	..... Hjul - Højre	..... Ruota - Lato Destro	..... 1
9A	60/0444	..... Banden & Buis	..... Reifen & Rohrstück	..... Dæk & Rør	..... Gomme & Tubo	..... 1
9B	60/0445	..... Buis	..... Rohrstück	..... Rør	..... Tubo	..... 1
10	60/0436	..... Wiel - Links	..... Rad - Links	..... Hjul - Venstre	..... Ruota - Lato Sinistro	..... 1
11	9/8022	..... Bouten	..... Bolzen	..... Skruebolt	..... Bullone	..... M8 X 70 ... 7
12	4/8006	..... Afdichtring	..... Scheibe	..... Spændeskive	..... Rondella	..... M8 ... 18
13	8/8008	..... Moer	..... Mutter	..... Møtrik	..... Dado	..... M8 ... 10
14	21/0249	..... Poelie	..... Riemenscheibe	..... Remskive	..... Puleggia	..... 1
15	7/8063	..... Schroef	..... Schraube	..... Skruer	..... Vite	..... 8 x 16 ... 1
16	961/99929	..... Spie	..... Keil	..... Kile	..... Chiave	..... 16 X 4 ... 1
17	961/99937	..... Moer	..... Mutter	..... Møtrik	..... Dado	..... M8 X 12 ... 8
18	7/8059	..... Schroef	..... Schraube	..... Skruer	..... Vite	..... M8 X 12 ... 2
19	21/0247	..... Riem	..... Riemen	..... Rem	..... Cinghia	..... 1
20	9/8048	..... Bouten	..... Bolzen	..... Skruebolt	..... Bullone	..... M8 X 80 ... 1
21	7/8060	..... Bouten	..... Bolzen	..... Skruebolt	..... Bullone	..... M8 X 20 ... 1
22	7/6038	..... Schroef	..... Schraube	..... Skruer	..... Vite	..... 1
23	4/6015	..... Afdichtring	..... Scheibe	..... Spændeskive	..... Rondella	..... 30 X 6,2 X 3 ... 1
24	961/99930	..... Plaat	..... Platte	..... Plade	..... Piastra	..... 141423 ... 1
24	961/99944	..... Plaat	..... Platte	..... Plade	..... Piastra	..... 141424 ... 1
25	961/99925	..... Veer	..... Feder	..... Fjeder	..... Mola	..... 1
26	4/6005	..... Afdichtring	..... Scheibe	..... Spændeskive	..... Rondella	..... M6 ... 1

**Not Shown**

27	961/99988	..... Vang Onderplaat	..... Bremschuh	..... Klobsbremse	..... Tampone di Freno	..... 2
----	-----------	-----------------------	-----------------	-------------------	------------------------	---------

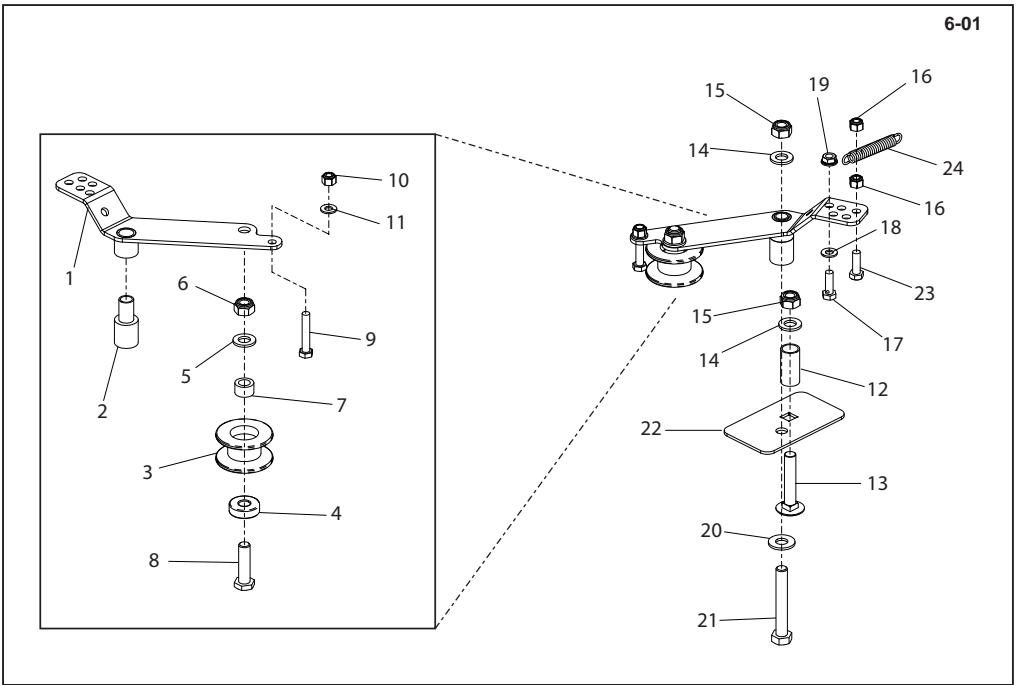


## Clutch Assembly, Ensemble embrayage, Conjunto de embrague, Conjunto da Embraiagem

6-01

► 141778

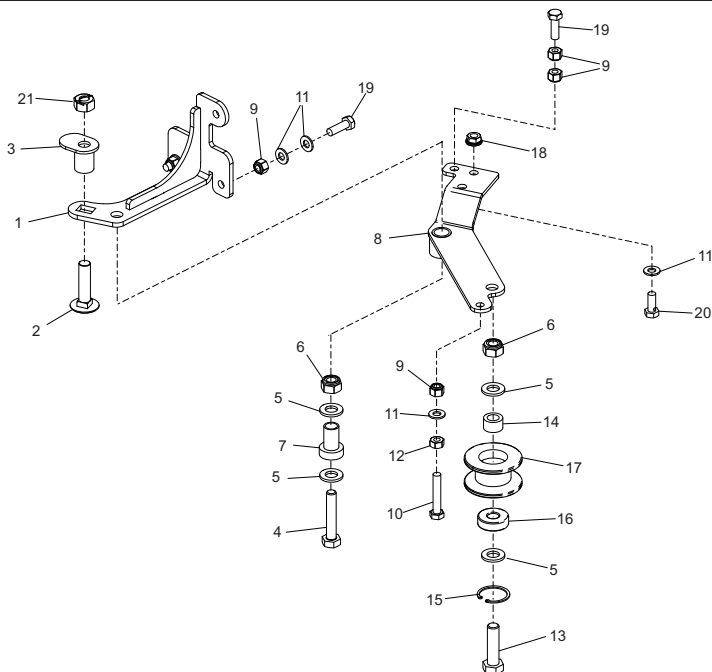
1	961/01300	Clutch Arm	Bras d'embrayage	Brazo de embrague	Brço de Embraiagem	1
2	961/99919	Pivot	Pivot	Pivote	Pivô	1
3	21/0250	Pulley	Poele	Polea	Polia	1
4	53/0060	Bearing	Roulement	Cojinete	Rolamento	1
5	4/1204	Washer	Rondelle	Arandela	Anilha	M12 2
6	8/12006	Nut	Ecrou	Tuerca	Porca	M12 1
7	961/99917	Spacer	Entretoise	Espaciador	Espaçador	1
8	9/12021	Bolt	Boulon	Perno	Perno	M12 X 45 1
9	9/8017	Bolt	Boulon	Perno	Perno	M8 X 45 1
10	8/8008	Nut	Ecrou	Tuerca	Porca	M8 1
11	4/8006	Washer	Rondelle	Arandela	Anilha	M8 1
12	961/99920	Tube	Tube	Tubo	Tubo	1
13	9/12026	Bolt	Boulon	Perno	Perno	M12 X 65 1
14	4/1204	Washer	Rondelle	Arandela	Anilha	M12 4
15	8/12006	Nut	Ecrou	Tuerca	Porca	M12 3
16	8/8008	Nut	Ecrou	Tuerca	Porca	M8 11
17	7/8070	Bolt	Boulon	Perno	Perno	M8 X 20 2
18	4/8006	Washer	Rondelle	Arandela	Anilha	M8 16
19	8/8020	Nut	Ecrou	Tuerca	Porca	M8 8
20	4/1201	Washer	Rondelle	Arandela	Anilha	M12 1
21	9/12007	Bolt	Boulon	Perno	Perno	M12 X 80 1
22	961/99911	Plate	Plaque	Placa	Placa	1
23	7/8012	Bolt	Boulon	Perno	Perno	M8 X 25 1
24	961/99925	Spring	Ressort	Resorte	Mola	2



**Koppeling, Kupplungs-Zsb. , Koblingsmontage, Gruppo frizione**

► 141778

1	961/01300.....	Koppelingsarm .....	Kupplungsarm .....	Koblingsarm.....	Braccio della frizione.....	1
2	961/99919.....	Rotoren .....	Achse .....	Dreje .....	Perno .....	1
3	21/0250.....	Poelie .....	Riemenscheibe.....	Remskive .....	Puleggia .....	1
4	53/0060.....	Lager .....	Lager .....	Leje .....	Rolamanto .....	1
5	4/1204.....	Afdichtring .....	Scheibe .....	Spændeskive .....	Rondella .....	M12 .....
6	8/12006.....	Moer .....	Mutter .....	Møtrik .....	Dado .....	M12 .....
7	961/99917.....	Afstandsstuk .....	Distanzstück .....	Afstandsstykke.....	Distanziale .....	1
8	9/120261.....	Bouten .....	Bolzen .....	Skrubolt .....	Bullone .....	M12 X 45 .....
9	9/8017.....	Bouten .....	Bolzen .....	Skrubolt .....	Bullone .....	M8 X 45 .....
10	8/8008.....	Moer .....	Mutter .....	Møtrik .....	Dado .....	M8 .....
11	4/8006.....	Afdichtring .....	Scheibe .....	Spændeskive .....	Rondella .....	M8 .....
12	961/99920.....	Buis .....	Rohrstück .....	Rør .....	Tubo .....	1
13	9/1202.....	Bouten .....	Bolzen .....	Skrubolt .....	Bullone .....	M12 X 65 .....
14	4/1204.....	Afdichtring .....	Scheibe .....	Spændeskive .....	Rondella .....	M12.....
15	8/12006.....	Moer .....	Mutter .....	Møtrik .....	Dado .....	M12.....
16	8/8008.....	Moer .....	Mutter .....	Møtrik .....	Dado .....	M8 .....
17	7/8070.....	Bouten .....	Bolzen .....	Skrubolt .....	Bullone .....	M8 X 20 .....
18	4/8006.....	Afdichtring .....	Scheibe .....	Spændeskive .....	Rondella .....	M8 .....
19	8/8020.....	Moer .....	Mutter .....	Møtrik .....	Dado .....	M8 .....
20	4/1201.....	Afdichtring .....	Scheibe .....	Spændeskive .....	Rondella .....	M12.....
21	9/12007.....	Bouten .....	Bolzen .....	Skrubolt .....	Bullone .....	M12 X 80 .....
22	961/99911.....	Plaat .....	Platte .....	Plade .....	Piastra .....	1
23	7/8012.....	Bouten .....	Bolzen .....	Skrubolt .....	Bullone .....	M8 X 25 .....
24	961/99925.....	Veer .....	Feder .....	Fjeder .....	Mola .....	2

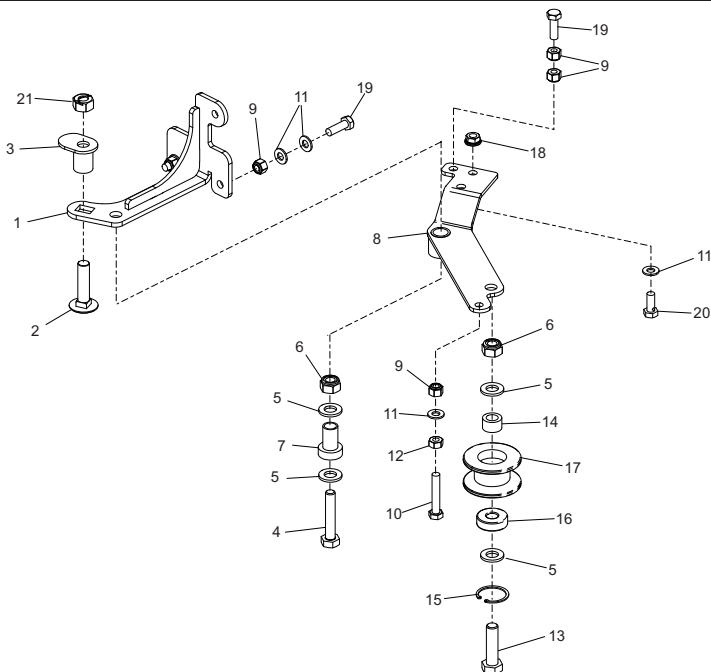


## Clutch Assembly, Ensemble embrayage, Conjunto de embrague, Conjunto da Embraiagem

6-02

141779

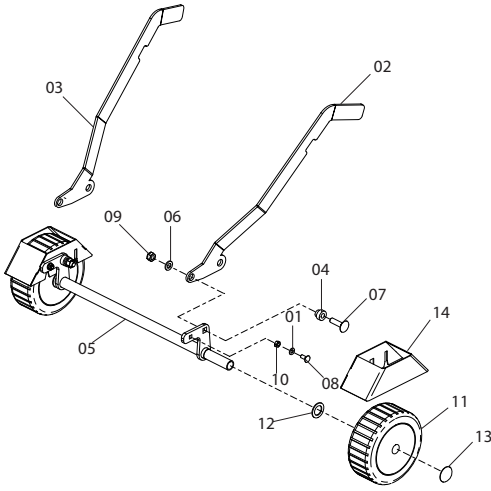
1	961/02600	Pivot	Pivot	Pivote	Pivô	1
2	9/12032	Bolt	Boulon	Perno	Perno	M12 x 50
3	961/02800	Belt Guide	Guide à courroie	Guia Correa	Guia Cinta	1
4	9/12010	Bolt	Boulon	Perno	Perno	M12 x 60
5	4/1201	Washer	Rondelle	Arandela	Anilha	M12
6	8/12006	Nut	Ecrou	Tuerca	Porca	M12
7	961/99960	Pivot	Pivot	Pivote	Pivô	1
8	961/01300	Clutch Arm	Bras d'embrayage	Braço de embrague	Braço de Embraiagem	1
9	8/8008	Nut	Ecrou	Tuerca	Porca	M8
10	9/8017	Bolt	Boulon	Perno	Perno	M8 x 45
11	4/8006	Washer	Rondelle	Arandela	Anilha	M8
12	8/8001	Nut	Ecrou	Tuerca	Porca	M8
13	9/12021	Bolt	Boulon	Perno	Perno	M12 x 45
14	961/99917	Spacer	Entretoise	Espaciador	Espaciador	1
15	3/9022	Circlip	Circlip	Resorte circular	Grampo circular	M12
16	53/0060	Bearing	Roulement	Cojinete	Rolamento	12ID x 320D
17	21/0250	Pulley	Poelle	Polea	Polia	1
18	8/8020	Nut	Ecrou	Tuerca	Porca	M8
19	7/8012	Bolt	Boulon	Perno	Perno	M8 x 25
20	7/8070	Bolt	Boulon	Perno	Perno	M8 x 25
21	8/12001	Nut	Ecrou	Tuerca	Porca	M12


**Koppeling, Kupplungs-Zsb. , Koblingsmontage, Gruppo frizione**

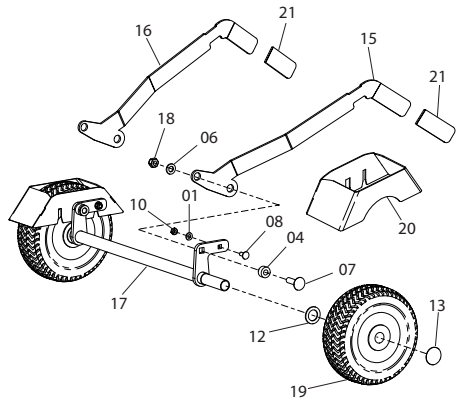
6-02

**► 141779**

1	961/02600	Rotoren	Achse	Dreje	Perno	1
2	9/12032	Bouten	Bolzen	Skrubolt.	Bullone	M12 x 50 1
3	961/02800	Geleideriem	Führungsriemen	Styreremme	Guida Cinghia	1
4	9/12010	Bouten	Bolzen	Skrubolt.	Bullone	M12 x 60 1
5	4/1201	Afdichtring	Scheibe	Spændeskive	Rondella	M12 4
6	8/12006	Moer	Mutter	Møtrik	Dado	M12 2
7	961/99960	Rotoren	Achse	Dreje	Perno	1
8	961/01300	Koppelingsarm	Kupplungsarm	Koblingsarm	Braccio della frizione	1
9	8/8008	Moer	Mutter	Møtrik	Dado	M8 6
10	9/8017	Bouten	Bolzen	Skrubolt.	Bullone	M8 x 45 1
11	4/8006	Afdichtring	Scheibe	Spændeskive	Rondella	M8 8
12	8/8001	Moer	Mutter	Møtrik	Dado	M8 1
13	9/12021	Bouten	Bolzen	Skrubolt.	Bullone	M12 x 45 1
14	961/99917	Afstandsstuk	Distanzstück	Afstandsstykke	Distanziale	1
15	3/9022	Borgveer	Sprengring	Låserring	Anello elastico	M12 1
16	53/0060	Lager	Lager	Leje	Rolamanto	12ID x 320D 1
17	21/0250	Poelie	Riemenscheibe	Remskive	Puleggia	1
18	8/8020	Moer	Mutter	Møtrik	Dado	M8 1
19	7/8012	Bouten	Bolzen	Skrubolt.	Bullone	M8 x 25 4
20	7/8070	Bouten	Bolzen	Skrubolt.	Bullone	M8 x 25 1
21	8/12001	Moer	Mutter	Møtrik	Dado	M12 1



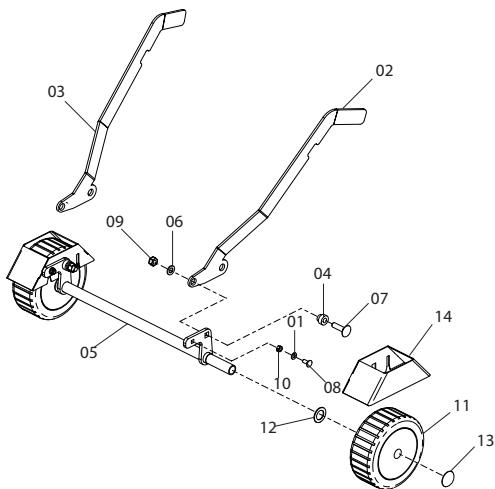
→ 141505



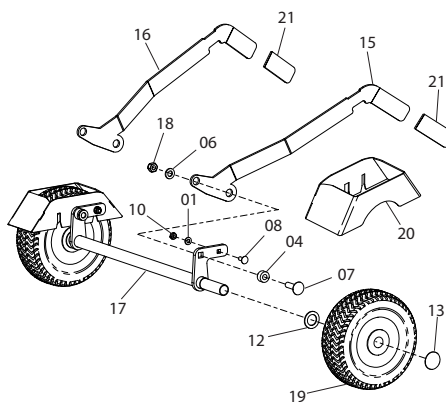
→ 141506

**Friction Wheel Assembly, Roue de friction, Rueda de fricción, Roda de fricção,**

1	4/8006	Washer	Rondelle	Arandela	Anilha	M8	2
2	961/99901	Lever	Levier	Palanca	Alavanca		1
3	961/99902	Lever	Levier	Palanca	Alavanca		1
4	961/99934	Spacer	Entretoise	Espaciador	Espaçador		2
5	961/00200	Axle	Essieu	Eje	Eixo		1
6	4/1204	Washer	Rondelle	Arandela	Anilha	M12	2
7	9/12025	Bolt	Boulon	Perno	Perno	M12 X 45	2
8	9/8055	Bolt	Boulon	Perno	Perno	M8 X 20	2
9	8/12001	Nut	Ecrou	Tuerca	Porca	M12	2
10	8/8002	Nut	Ecrou	Tuerca	Porca	M8	2
11	60/0437	Wheel	Roue	Rueda	Roda		2
12	961/99918	Spacer	Entretoise	Espaciador	Espaçador		2
13	4/2501	Washer	Rondelle	Arandela	Anilha	25mm	2
14	961/01000	Mud Guard	Garde-boue	Guardabarros	Pára-lamas		2
15	961/99947	Lever	Levier	Palanca	Alavanca		1
16	961/99948	Lever	Levier	Palanca	Alavanca		1
17	961/01601	Axle	Essieu	Eje	Eixo		1
18	8/12006	Nut	Ecrou	Tuerca	Porca	M12	2
19	60/0439	Wheel	Roue	Rueda	Roda		2
20	961/01700	Mud Guard	Garde-boue	Guardabarros	Pára-lamas		2
21	74/0020	Handle Grips	Poignée	Asas	Mãoszotas		2



→ 141505



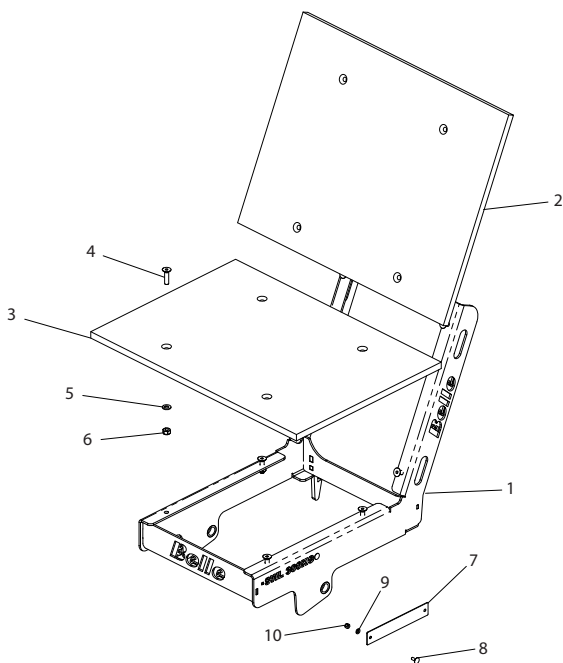
→ 141506

### Montage wrijvingswiel, Verbindungsrad, Friktionshjulssamling, Ruote per ingranare

1	4/8006	Afdichtring	Scheibe	Spændeskive	Rondella	M8	2
2	961/99901	Hendel	Hebel	Håndtag	Leva		1
3	961/99902	Hendel	Hebel	Håndtag	Leva		1
4	961/99934	Afstandsstuk	Distanzstück	Afstandsstykke	Distanziale		2
5	961/00200	As	Achse	Aksel	Assale		1
6	4/1204	Afdichtring	Scheibe	Spændeskive	Rondella	M12	2
7	9/12025	Bouten	Bolzen	Skruebolt	Bullone	M12 X 45	2
8	9/8055	Bouten	Bolzen	Skruebolt	Bullone	M8 X 20	2
9	8/12001	Moer	Mutter	Møtrik	Dado	M12	2
10	8/8002	Moer	Mutter	Møtrik	Dado	M8	2
11	60/0437	Wiel	Rad	Hjul	Ruota		2
12	961/99918	Afstandsstuk	Distanzstück	Afstandsstykke	Distanziale		2
13	4/2501	Afdichtring	Scheibe	Spændeskive	Rondella	25mm	2
14	961/01000	Spatscherm	Schutzblech	Stærnskærm	Parafango		2
15	961/99947	Hendel	Hebel	Håndtag	Leva		1
16	961/99948	Hendel	Hebel	Håndtag	Leva		1
17	961/01601	As	Achse	Aksel	Assale		1
18	8/12006	Moer	Mutter	Møtrik	Dado	M12	2
19	60/0439	Wiel	Rad	Hjul	Ruota		2
20	961/01700	Spatscherm	Schutzblech	Stærnskærm	Parafango		2
21	74/0020	Handgrepen	Handgriffe	Håndgreb	Guancette		2



- Flatbed
- Plateau
- Plataforma lisa
- Fundo Plano

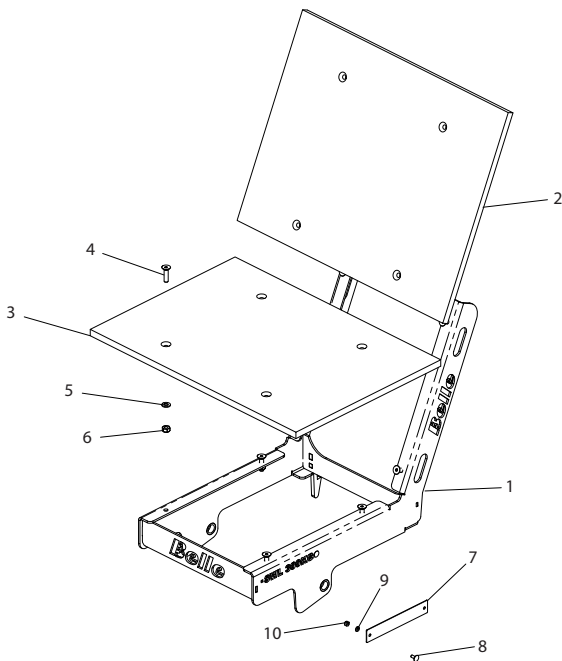

**Optional Equipment, Équipement en option, Equipo opcional, Equipamento Opcional**

8-01

1	961/00600	..... Frame	..... Cadre	..... Bastidor	..... Chassis	..... Belle	..... 1
1	961/04500	..... Frame	..... Cadre	..... Bastidor	..... Chassis	..... Eberle Hald	..... 1
2	961/99946	..... Back Plate	..... Plaque arrière	..... Placa trasera	..... Placa de Apoio		..... 1
3	961/99945	..... Base	..... Base	..... Base	..... Base		..... 1
4	7/10041	..... Screw	..... Vis	..... Tornillo	..... Parafuse	..... M10 x 40	..... 1
5	4/10005	..... Washer	..... Rondelle	..... Arandela	..... Anilha	..... M10	..... 1
6	8/10006	..... Nut	..... Ecrou	..... Tuerca	..... Porca	..... M10	..... 1
8	9/6023	..... Bolt	..... Boulon	..... Perno	..... Perno	..... M6 x 20	..... 1
9	4/6001	..... Washer	..... Rondelle	..... Arandela	..... Anilha	..... M6	..... 1
10	8/6007	..... Nut	..... Ecrou	..... Tuerca	..... Porca	..... M6	..... 1

- Vlakbed
- Pritsche
- Beboelse
- Base piatta senza lati

8-01

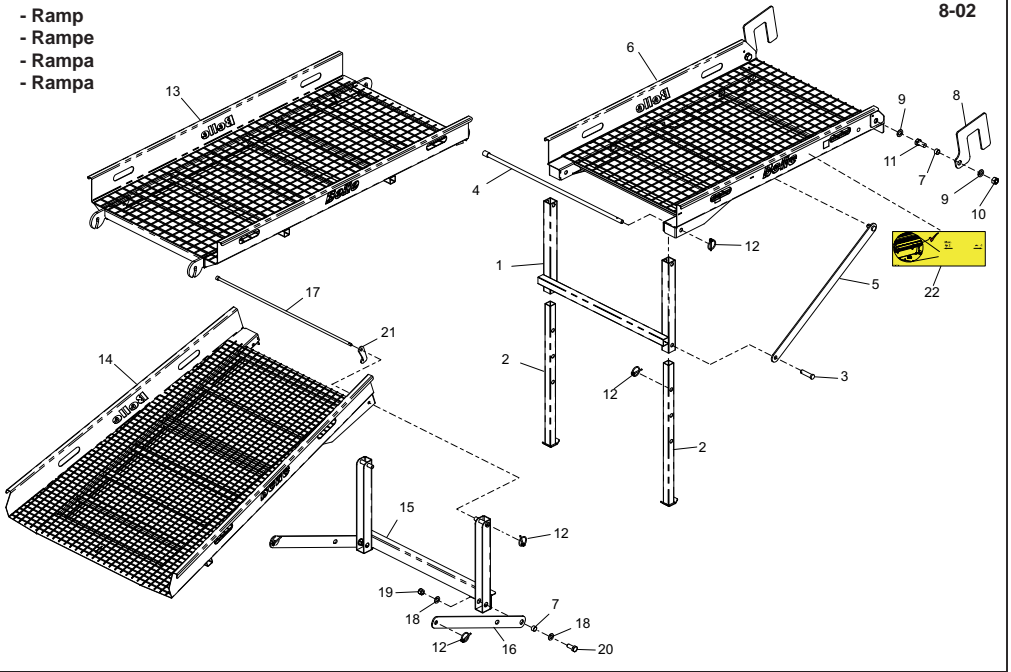


Optionele Uitrusting, Sonderausstattung, Ekstraudstyr, Attrezzatura opzionale

8-01

1	961/00600	.....	Frame	.....	Rahmen	.....	Stel	.....	Telaio	.....	Belle	.....	1
1	961/04500	.....	Frame	.....	Rahmen	.....	Stel	.....	Telaio	.....	Eberle Hald	.....	1
2	961/99946	.....	Achterplaat	.....	Rückwand	.....	Bagplade	.....	Piastra di rinforzo	.....		.....	1
3	961/99945	.....	Vloer	.....	Grund	.....	Bund	.....	Base	.....		.....	1
4	7/10041	.....	Schroef	.....	Schraube	.....	Skrue	.....	Vite	.....	M10 x 40	.....	1
5	4/10005	.....	Afdichtring	.....	Scheibe	.....	Spændeskive	.....	Rondella	.....	M10	.....	1
6	8/10006	.....	Moer	.....	Mutter	.....	Møtrik	.....	Dado	.....	M10	.....	1
8	9/6023	.....	Bouten	.....	Bolzen	.....	Skruebolt	.....	Bullone	.....	M6 x 20	.....	1
9	4/6001	.....	Afdichtring	.....	Scheibe	.....	Spændeskive	.....	Rondella	.....	M6	.....	1
10	8/6007	.....	Moer	.....	Mutter	.....	Møtrik	.....	Dado	.....	M6	.....	1

- Ramp  
- Rampe  
- Rampa  
- Rampa

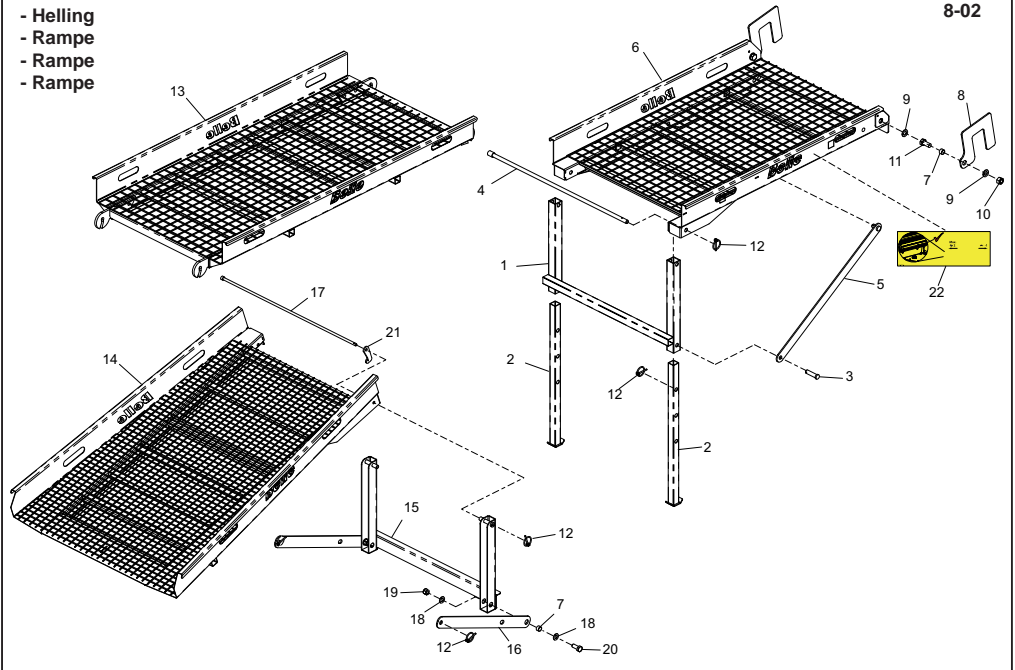


Optional Equipment, Équipement en option, Equipo opcional, Equipamento Opcional

1	961/01900S	.....Frame (Orange)	.....Châssis (Orange)	Bastidor (Naranja)	.....Chassis (Laranja)	.....1
1	961/01900GR	.....Frame (Grey)	.....Châssis (Gris)	Bastidor (Gris)	.....Chassis (Cinzeno)	.....1
2	961/01800S	.....Leg (Orange)	.....Jambe (Orange)	Pierna (Naranja)	.....Coluna (Laranja)	.....2
2	961/01800GR	.....Leg (Grey)	.....Jambe (Gris)	Pierna (Gris)	.....Coluna (Cinzeno)	.....2
3	961/99964	.....Pin	.....Goupille	Pasador	.....Pino	.....2
4	961/02000	.....Bar	.....Barre	Barra	.....Barra	.....1
5	961/02400S	.....Strut (Orange)	.....Béquille (Orange)	Puntal (Naranja)	.....Apoyo (Laranja)	.....2
5	961/02400GR	.....Strut (Grey)	.....Béquille (Gris)	Puntal (Gris)	.....Apoyo (Cinzeno)	.....2
6	961/02300S	.....Upper Ramp (Orange)	.....Rampe - Supérieure (Orange)	Rampa - Superior (Naranja)	.....Rampa - Máximo (Laranja)	.....1
6	961/02300GR	.....Upper Ramp (Grey)	.....Rampe - Supérieure (Gris)	Rampa - Superior (Gris)	.....Rampa - Máximo (Cinzeno)	.....1
7	961/99968	.....Boss	.....Bossage	Resalte	.....Cubo	.....4
8	961/99950S	.....Hook (Orange)	.....Crochet (Orange)	Gancho (Naranja)	.....Gancho (Laranja)	.....2
8	961/99950GR	.....Hook (Grey)	.....Crochet (Gris)	Gancho (Gris)	.....Gancho (Cinzeno)	.....2
9	4/1601	.....Washer	.....Rondelle	Arandela	.....Anilha	M16 .....4
10	8/16005	.....Nut	.....Ecrou	Tuerca	.....Porca	M16 .....2
11	7/6011	.....Screw	.....Vis	Tornillo	.....Parafuse	M16 x 35 .....2
12	3/1018	.....Clip	.....Collier	Presilla	.....Grampo	4 x 45 .....6
13	961/01500S	.....Ramp (Orange)	.....Rampe (Orange)	Rampa (Naranja)	.....Rampa (Laranja)	.....1
13	961/01500GR	.....Ramp (Grey)	.....Base (Gris)	Base (Gris)	.....Base (Cinzeno)	.....1
14	961/02200S	.....Lower Ramp (Orange)	.....Rampe - Inférieure (Orange)	Rampa - Inferior (Naranja)	.....Rampa - Mínimo (Laranja)	.....1
14	961/02200GR	.....Lower Ramp (Grey)	.....Rampe - Inférieure (Gris)	Rampa - Inferior (Gris)	.....Rampa - Mínimo (Cinzeno)	.....1
15	961/02500S	.....Frame (Orange)	.....Châssis (Orange)	Bastidor (Naranja)	.....Chassis (Laranja)	.....1
15	961/02500GR	.....Frame (Grey)	.....Châssis (Gris)	Bastidor (Gris)	.....Chassis (Cinzeno)	.....1
16	961/99952S	.....Strut (Orange)	.....Béquille (Orange)	Puntal (Naranja)	.....Apoyo (Laranja)	.....2
16	961/99952GR	.....Strut (Grey)	.....Béquille (Gris)	Puntal (Gris)	.....Apoyo (Cinzeno)	.....2
17	961/02800	.....Bar	.....Barre	Barra	.....Barra	.....1
18	4/1402	.....Washer	.....Rondelle	Arandela	.....Anilha	M14 .....1
19	8/14006	.....Nut	.....Ecrou	Tuerca	.....Porca	M12 .....4
20	7/14011	.....Screw	.....Vis	Tornillo	.....Parafuse	M14 x 35 .....2
21	961/99951S	.....Hook (Orange)	.....Crochet (Orange)	Gancho (Naranja)	.....Gancho (Laranja)	.....2
21	961/99951GR	.....Hook (Grey)	.....Crochet (Gris)	Gancho (Gris)	.....Gancho (Cinzeno)	.....2
22	800/99878	.....Decal	.....Autocollant	Rótulo	.....Decalque	.....1

- Helling
- Rampe
- Rampe
- Rampe

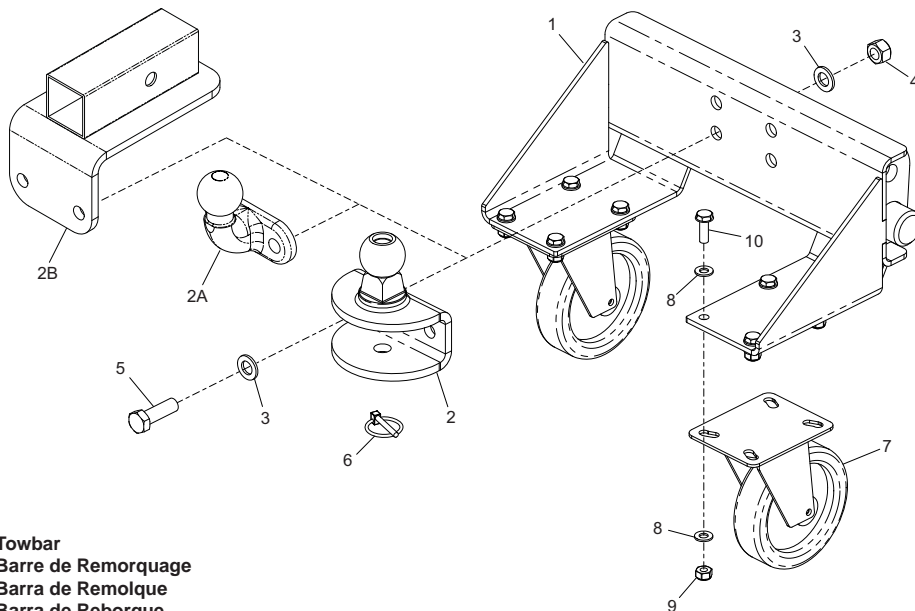
8-02



**Optionele Uitrusting, Sonderausstattung, Ekstraudstyr, Attrezzatura opzionale**

8-02

1	961/01900S	.....Frame (Oranje)	.....Rahmen (Orange)	.....Stel (Orange)	.....Telaio (Arancione)	.....1
1	961/01900GR	.....Frame (Grijs)	.....Rahmen (Grau)	.....Stel (Grå)	.....Telaio (Grigio)	.....1
2	961/01800S	.....Poot (Oranje)	.....Bein (Orange)	.....Ben (Orange)	.....Gambale (Arancione)	.....2
2	961/01800GR	.....Poot (Grijs)	.....Bein (Grau)	.....Ben (Grå)	.....Gambale (Grigio)	.....2
3	961/99964	.....Stift	.....Zapfen	.....Stift	.....Perno	.....2
4	961/02000	.....Stang	.....Stange	.....Stang	.....Barra	.....1
5	961/02400S	.....Strut (Oranje)	.....Béquille (Orange)	.....Puntal (Orange)	.....Apoyo (Arancione)	.....2
5	961/02400GR	.....Strut (Grijs)	.....Béquille (Grau)	.....Puntal (Grå)	.....Apoyo (Grigio)	.....2
6	961/02300S	.....Maximum Helling (Oranje)	.....Oberer Rampe (Orange)	.....Øvre Rampe (Orange)	.....Rampe Superiore (Arancione)	.....1
6	961/02300GR	.....Maximum Helling (Grijs)	.....Oberer Rampe (Grau)	.....Øvre Rampe (Grå)	.....Rampe Superiore (Grigio)	.....1
7	961/99968	.....Boss	.....Bossage	.....Resalte	.....Cubo	.....4
8	961/99950S	.....Hook (Oranje)	.....Crochet (Orange)	.....Gancho (Orange)	.....Gancho (Arancione)	.....2
8	961/99950GR	.....Hook (Grijs)	.....Crochet (Grau)	.....Gancho (Grå)	.....Gancho (Grigio)	.....2
9	4/1601	.....Afdichtring	.....Scheibe	.....Spændeskive	.....Rondella	.....M16
10	8/16005	.....Moer	.....Mutter	.....Møtrik	.....Dado	.....M16
11	7/6011	.....Schroef	.....Schraube	.....Skruer	.....Vite	.....M16 x 35
12	3/1018	.....Stift	.....Zapfen	.....Stift	.....Perno	.....4 x 45
13	961/01500S	.....Helling (Oranje)	.....Rampe (Orange)	.....Rampe (Orange)	.....Rampe (Arancione)	.....1
13	961/01500GR	.....Helling (Grijs)	.....Rampe (Grau)	.....Rampe (Grå)	.....Rampe (Grigio)	.....1
14	961/02200S	.....Onderste Helling (Oranje)	.....Unterer Rampe (Orange)	.....Nedre Rampe (Orange)	.....Rampe Inferiore (Arancione)	.....1
14	961/02200GR	.....Onderste Helling (Grijs)	.....Unterer Rampe (Grau)	.....Nedre Rampe (Grå)	.....Rampe Inferiore (Grigio)	.....1
15	961/02500S	.....Frame (Oranje)	.....Rahmen (Orange)	.....Stel (Orange)	.....Telaio (Arancione)	.....1
15	961/02500GR	.....Frame (Grijs)	.....Rahmen (Grau)	.....Stel (Grå)	.....Telaio (Grigio)	.....1
16	961/99952S	.....Steun (Oranje)	.....Strebe (Orange)	.....Sprosse (Orange)	.....Montante (Arancione)	.....2
16	961/99952GR	.....Steun (Grijs)	.....Strebe (Grau)	.....Sprosse (Grå)	.....Montante (Grigio)	.....2
17	961/02800	.....Stang	.....Stange	.....Stang	.....Barra	.....1
18	4/1402	.....Afdichtring	.....Scheibe	.....Spændeskive	.....Rondella	.....M14
19	8/14006	.....Moer	.....Mutter	.....Møtrik	.....Dado	.....M12
20	7/14011	.....Schroef	.....Schraube	.....Skruer	.....Vite	.....M14 x 35
21	961/99951S	.....Haakje (Oranje)	.....Haken (Orange)	.....Medekrog (Orange)	.....Gancio (Arancione)	.....2
21	961/99951GR	.....Haakje (Grijs)	.....Haken (Grau)	.....Medekrog (Grå)	.....Gancio (Grigio)	.....2
22	800/99878	.....Label	.....Abziehbild	.....Skilt	.....Decalcomania	.....1

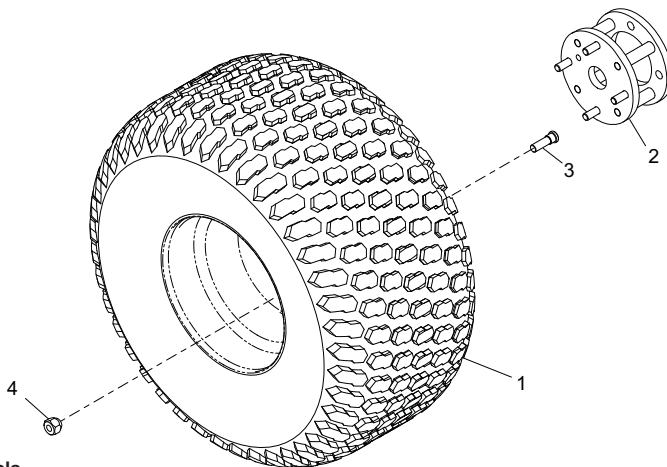


- Towbar
- Barre de Remorquage
- Barra de Remorque
- Barra de Reborque

**Optional Equipment, Équipement en option, Equipo opcional, Equipamento Opcional**

01	961/02900	.....	Frame	.....	Châssis	.....	Bastidor	.....	Chassis	.....	1
02	961/99961	.....	Towbar	.....	Barre de Remorque	.....	Barra de Remorque	.....	Barra de Remorque	.....	1
02A	961/99970	.....	Towbar	.....	Barre de Remorque	.....	Barra de Remorque	.....	Barra de Remorque	.....	1
02B	961/03900	.....	Towbar	.....	Barre de Remorque	.....	Barra de Remorque	.....	Barra de Remorque	.....	1
03	4/1601	.....	Washer	.....	Rondelle	.....	Arandela	.....	Anilha	.....	M16
04	8/16005	.....	Nut	.....	Ecrou	.....	Tuerca	.....	Porca	.....	M16
05	7/16011	.....	Screw	.....	Vis	.....	Tornillo	.....	Parafuse	.....	M16 x 50
06	3/1011	.....	Clip	.....	Collier	.....	Presilla	.....	Grampo	.....	1
07	60/0442	.....	Wheel	.....	Roue	.....	Rueda	.....	Roda	.....	150mm
08	4/1005	.....	Washer	.....	Rondelle	.....	Arandela	.....	Anilha	.....	M10
09	8/10006	.....	Nut	.....	Ecrou	.....	Tuerca	.....	Porca	.....	M10
10	7/10005	.....	Screw	.....	Vis	.....	Tornillo	.....	Parafuse	.....	M10 x 25



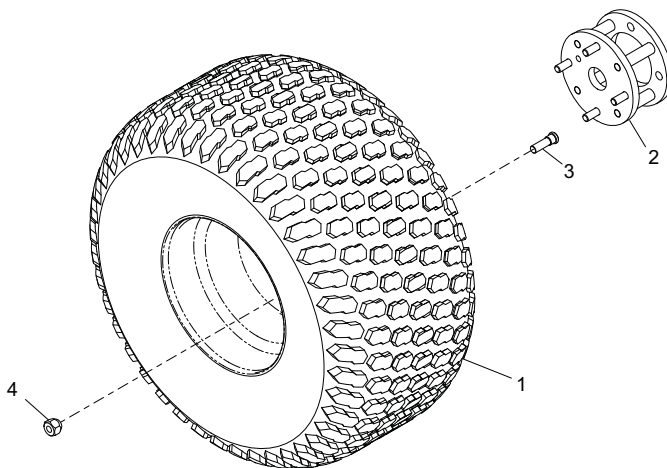


- Flotation Wheels
- Pneu pour Gazon
- Neumático Turba/Césped
- Pneus de Relva

**Optional Equipment, Équipement en option, Equipo opcional, Equipamento Opcional**

8-04

1	60/0443	Wheel	Roue	Rueda	Roda		1
2	961/06000	Spacer	Entretoise	Espaciador	Espaçador	→ 144004	1
2	961/05900	Spacer	Entretoise	Espaciador	Espaçador	→ 144005	1
3	7/10044	Stud	Goujon	Espárragos	Cavilha	→ 144004	4
4	8/10015	Nut	Ecrou	Tuerca	Porca		4



- Grasbanden
- Rasenreifen
- Græsdæk
- Pneumatico per uso su erba artificiale

**Optionele Uitrusting, Sonderausstattung, Ekstraudstyr, Attrezzatura opzionale**

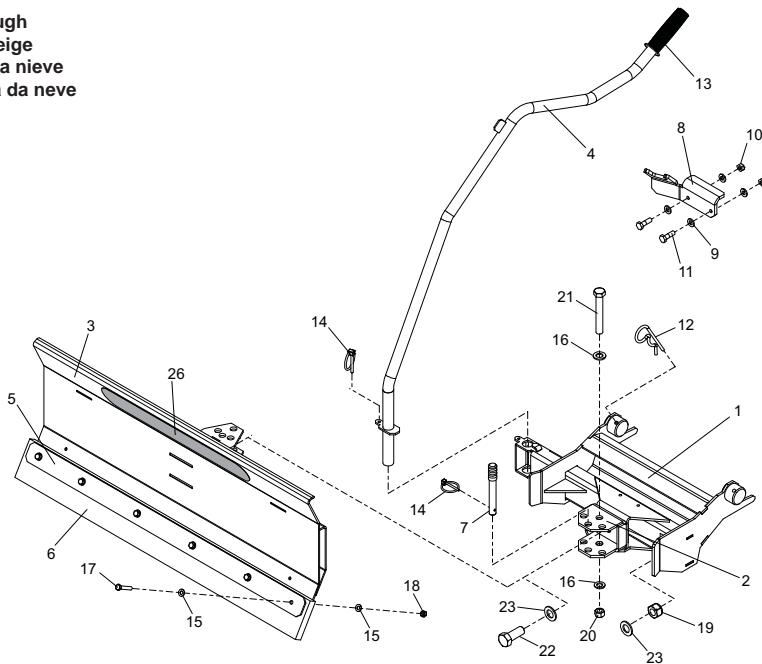
8-04

1	60/0443	.....	Wiel	.....	Rad	.....	Hjul	.....	Ruota	.....	1
2	961/06000	.....	Afstandsstuk	.....	Distanzstück	.....	Afstandsstykke	.....	Distanziale	.....	144004 ... 1
2	961/05900	.....	Afstandsstuk	.....	Distanzstück	.....	Afstandsstykke	.....	Distanziale	.....	144005 ... 1
3	7/10044	.....	Tapeindmoer	.....	Schraube	.....	Stiftskruue	.....	Prigioniero	.....	144004 ... 4
4	8/10015	.....	Moer	.....	Mutter	.....	Møtrik	.....	Dado	.....	4



- Snow Plough
- Chasse-Neige
- Arado de la nieve
- Guilhotina da neve

8-05



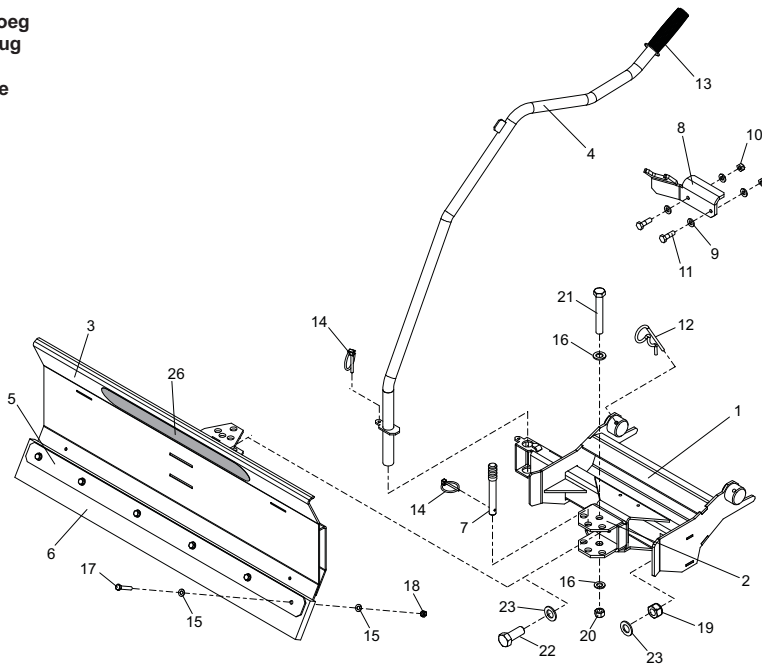
**Optional Equipment, Équippement en option, Equipo opcional, Equipamento Opcional**

8-05

1	961/06300	Main Body	Corps principal	Cuerpo principal	Chassis Principal	1
2	961/06400	Tilt Arm	Bras de basculement	Brazo de inclinación	Braço de inclinação	1
3	961/06500	Shovel	Chasse	Arado	Guilhotina	1
4	961/06600	Handle	Guidon	Manillar	Punho	1
5	961/99990	Clamp	Plaque de serrage	Placa de fijación	Placa de Fixação	1
6	961/99991	Rubber Skirt	Jupe en caoutchouc	Delantal de caucho	Bainha de Borracha	1
7	961/99992	Pin	Goupille	Pasador	Pino	1
8	961/99993	Hook	Crochet	Gancho	Gancho	1
9	4/6001	Washer	Rondelle	Arandela	Anilha	M6..... 4
10	8/6007	Nut	Ecrou	Tuerca	Porca	M6..... 2
11	9/6008	Bolt	Boulon	Perno	Perno	M6 x 20..... 2
12	32005	R-Clip	Collier en "R"	Abrazadera "R"	Gancho "R"	28mm..... 1
13	XS35	Handle Grip	Poignée	Asas	Mãoszotas	1
14	3/1018	Pin	Goupille	Pasador	Pino	4 x 45..... 2
15	4/8006	Washer	Rondelle	Arandela	Anilha	M8..... 12
16	4/1601	Washer	Rondelle	Arandela	Anilha	M16..... 2
17	9/8017	Bolt	Boulon	Perno	Perno	M8 x 45..... 6
18	8/8008	Nut	Ecrou	Tuerca	Porca	M8..... 6
19	8/20003	Nut	Ecrou	Tuerca	Porca	M20..... 1
20	8/16005	Nut	Ecrou	Tuerca	Porca	M16..... 1
21	9/16011	Bolt	Boulon	Perno	Perno	M16 x 110..... 1
22	9/20002	Bolt	Boulon	Perno	Perno	M20 x 50..... 1
23	4/2001	Washer	Rondelle	Arandela	Anilha	M20..... 2
26	800/99952	Decal	Autocollant	Rótulo	Decalque	1

- Sneeuwploug
- Schneepflug
- Sneplov
- Spala Neve

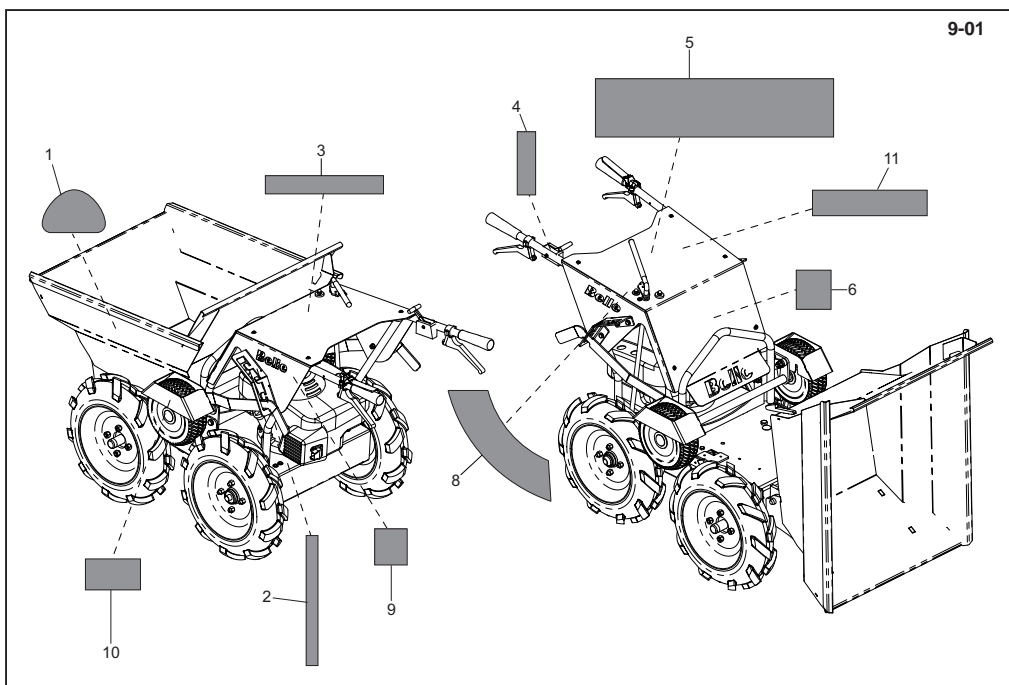
8-05



**Optionele Uitrusting, Sonderausstattung, Ekstraudstyr, Attrezzatura opzionale**

8-05

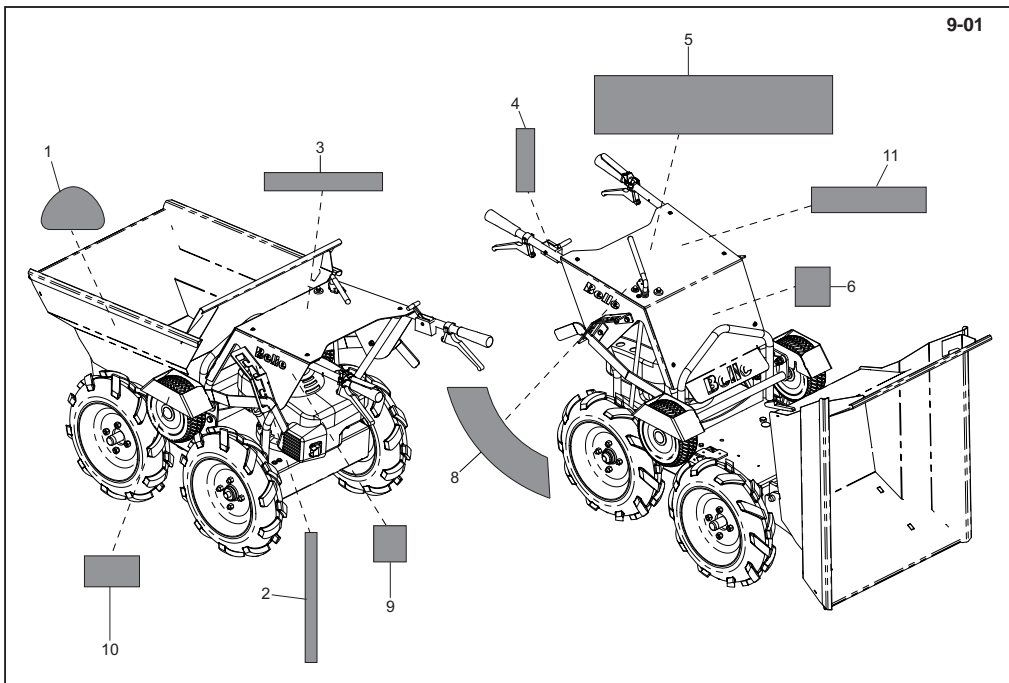
1	961/06300	Hoofdhuis	Hauptgehäuse	Hovedelement	Corpo principale	1
2	961/06400	Kantelarm	Kipparm	Hældearm	Braccio di inclinamento	1
3	961/06500	Schop	Schaufel	Plov	Spala	1
4	961/06600	Hendel	Griff	Håndtag	Impugnatura	1
5	961/99990	Klemplaat	Klemmplatte	Holdeplade	Piastra di serraggio	1
6	961/99991	Rubberrand	Gummileiste	Gummiskørt	Gonna di gomma	1
7	961/99992	Pen	Zapfen	Stift	Perno	1
8	961/99993	Haakje	Haken	Medekrog	Gancio	1
9	4/6001	Afdichtring	Scheibe	Spændeskive	Rondella	M6..... 4
10	8/6007	Moer	Mutter	Møtrik	Dado	M6..... 2
11	9/6008	Bouten	Bolzen	Skruebolt	Bullone	M6 x 20..... 2
12	32005	R-klemmen	'R'-Schellen	'R'-klemmer	Fermagli a "R"	28mm..... 1
13	XS35	Handgrepen	Handgriffe	Håndgreb	Guancette	1
14	3/1018	Pen	Zapfen	Stift	Perno	4 x 45..... 2
15	4/8006	Afdichtring	Scheibe	Spændeskive	Rondella	M8..... 12
16	4/1601	Afdichtring	Scheibe	Spændeskive	Rondella	M16..... 2
17	9/8017	Bouten	Bolzen	Skruebolt	Bullone	M8 x 45..... 6
18	8/8008	Moer	Mutter	Møtrik	Dado	M8..... 6
19	8/20003	Moer	Mutter	Møtrik	Dado	M20..... 1
20	8/16005	Moer	Mutter	Møtrik	Dado	M16..... 1
21	9/16011	Bouten	Bolzen	Skruebolt	Bullone	M16 x 110..... 1
22	9/20002	Bouten	Bolzen	Skruebolt	Bullone	M20 x 50..... 1
23	4/2001	Afdichtring	Scheibe	Spændeskive	Rondella	M20..... 2
26	800/99952	Label	Abziehbild	Skilt	Decalcomania	1



## Decals, Autocollant, Rótulo, Decalque

9-01

1	800/99830.....	Decal	.....	Autocollant	.....	Rótulo	.....	Decalque	.....	BMD 300.....	2
2	800/99863.....	Decal	.....	Autocollant	.....	Rótulo	.....	Decalque	.....	4WD.....	2
3	800/99831.....	Decal - Warning	.....	Autocollant - Avertissement	.....	Rótulo - Aviso	.....	Decalque - Aviso	.....		1
4	800/99858.....	Decal - Choke Lever	.....	Autocollant - Manette De Starter	.....	Rótulo - Colador de combustible	.....	Decalque - Alavanca do afogador	.....		1
5	800/99832.....	Decal - Operation	.....	Autocollant - Utilisation	.....	Rótulo - Utilización	.....	Decalque - Utilização	.....		1
6	800/99986.....	Decal - Lifting Point	.....	Autocollant - Cadre de levage	.....	Rótulo - Bastidor de izaje	.....	Decalque - Estrutura de Elevação	.....		1
8	800/99829.....	Decal - Throttle Lever	.....	Autocollant - Manette d'accélérateur	.....	Rótulo - Palanca de aceleración	.....	Decalque - Alavanca do estrangulador	.....		1
9	800/99838.....	Decal	.....	Autocollant	.....	Rótulo	.....	Decalque	.....	101dB(A).....	1
10	800/99861.....	Decal - Tyre Pressure	.....	Autocollant - Pression des pneus	.....	Rótulo - Tyre Presión	.....	Decalque - Tyre Pressão	.....		1
11	800/99862.....	Decal - Fuel	.....	Autocollant - Carburante	.....	Rótulo - Combustible	.....	Decalque - Combustível	.....	→ 141779.....	1



**Label, Abziehbild, Skilt, Decalcomania**

1	800/99830.....	Label	.....	Abziehbild	.....	Skilt	.....	Decalcomania	.....	BMD 300.....	2
2	800/99863.....	Label	.....	Abziehbild	.....	Skilt	.....	Decalcomania	.....	4WD.....	2
3	800/99831.....	Label - Waarschuwing	.....	Abziehbild - Warnung	.....	Skilt - Adavarsel	.....	Decalcomania - Avvertenza	.....		1
4	800/99858.....	Label - Chokehendel	.....	Abziehbild - Chokehebel	.....	Skilt - Chokerarm	.....	Decalcomania - Filtro Del Carburante	.....		1
5	800/99832.....	Label - Bediening	.....	Abziehbild - Einsatz	.....	Skilt - Betjening	.....	Decalcomania - Utilizzo	.....		1
6	800/99986.....	Label - Hefframe	.....	Abziehbild - Hubrahmen	.....	Skilt - Letteramme	.....	Decalcomania - Telaio di sollevamento	.....		1
8	800/99829.....	Label - Gashendel	.....	Abziehbild - Drosselklappenhebel	.....	Skilt - Gashåndtag	.....	Decalcomania - Leva dell'acceleratore	.....		1
9	800/99838.....	Label	.....	Abziehbild	.....	Skilt	.....	Decalcomania	.....	101dB(A).....	1
10	800/99861.....	Label - Pneumatiek Pressie	.....	Abziehbild - Reifen Leistungsdruck	.....	Skilt - Ring Pres	.....	Decalcomania - Pneumatico Pressione	.....		1
11	800/99862.....	Label - Brandstof	.....	Abziehbild - Kraftstof	.....	Skilt - Benzin	.....	Decalcomania - Carburante	.....	→ 141779.....	1