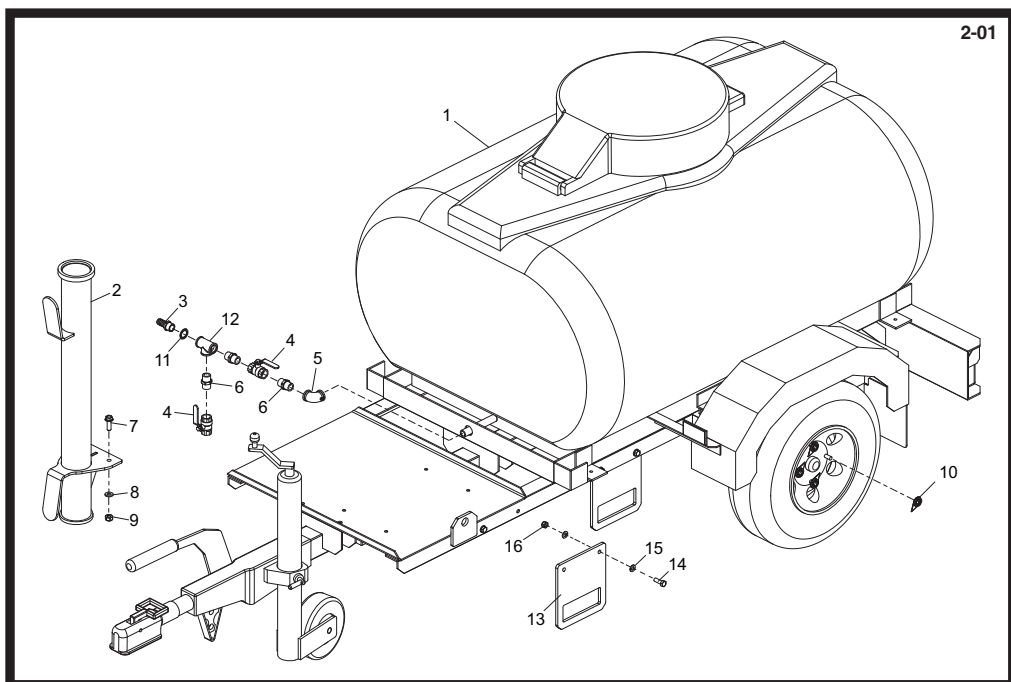


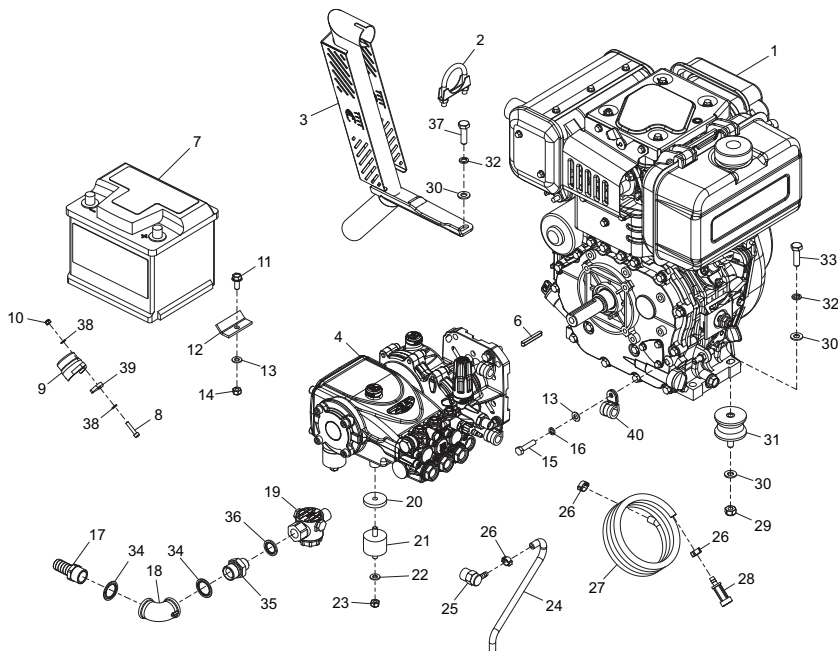
Frame Assembly

1	995/03300SP Frame	1
2	995/99940S Cover	Orange	1
2	995/99940R Cover	Red	1
3	996/99907S Side Guard.....	Orange	2
3	996/99907R Side Guard.....	Red	2
4	7/8037 Screw	M8 x 20	8
5	6/0284 Adaptor		1
6	5/0007 Seal		1
7	6/0272 Bulkhead.....		1
8	995/99941 Plate		1
9	7/8095 Screw	M8 x 25	2
10	4/8006 Washer	M8	2
11	8/8008 Nut	M8	2
12	8/10021 Nut	M12	4
13	05.3.067 Washer	M12	4
14	995/99939 Spacer Boss		4
15	3/3020 Grommet.....		1
16	9/10037 Bolt.....	M10 x 65	4
17	3/3018 Grommet.....	12.3 x 3.2mm	1



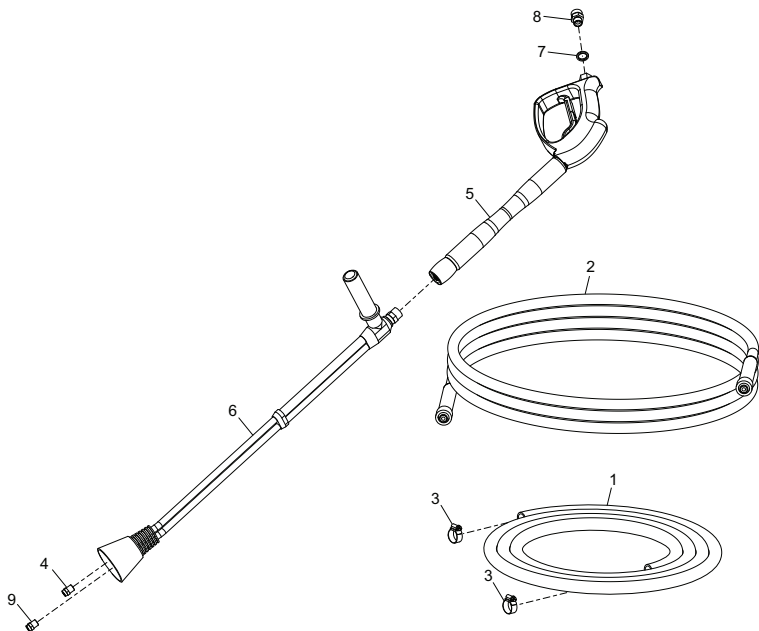
Trailer Assembly

1	995/02500	Bowser Trailer	Orange	1
1	995/02600	Bowser Trailer	Red	1
2	995/03500	Lance Holster		1
3	6/0318	Hosetail	19mm	1
4	6/0321	Ball Valve		2
5	6/0317	Elbow		1
6	6/0319	Adaptor		3
7	7/10003	Screw	M10 x 35	2
8	4/1005	Washer	M10	2
9	8/10006	Nut	M10	2
10	1/1120	Wheel Nut Marker		4
11	5/0086	Seal	M16	1
12	6/0325	Tee Adaptor		1
13	995/99943	Bracket		4
14	7/12030	Screw		8
15	4/1204	Washer		16
16	8/10023	Nut		8



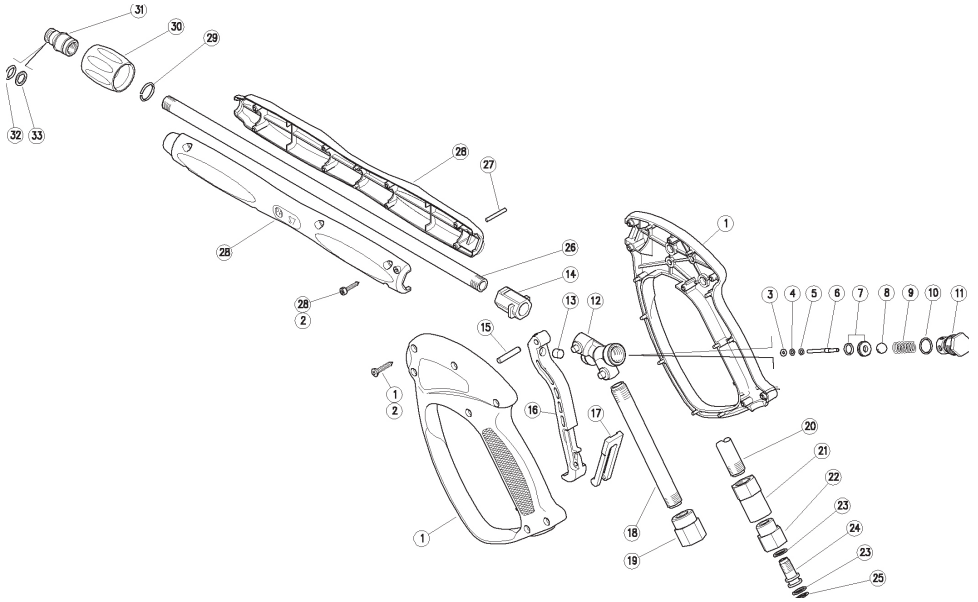
Engine, Gearbox & Pump Assembly

1	20/0139.....	Engine	Yanmar L100.....	1
2	23/00603.....	Clamp	1
3	995/03400.....	Exhaust.....	1
4	6/1157.....	Pump & Gearbox Assy	1
6	21/0377.....	Key.....	1
7	70/0325.....	Battery	12v.....	1
8	7/5021.....	Screw.....	M5 x 25.....	1
9	70/0267.....	Buzzer.....	12v.....	1
10	8/5003.....	Nut.....	M8.....	1
11	7/8037.....	Screw.....	M8 x 20.....	1
12	909/99949.....	Clamp	1
13	4/8006.....	Washer.....	M8.....	5
14	8/8008.....	Nut.....	M8.....	1
15	7/8007.....	Screw.....	M8 x 35.....	4
16	4/8003.....	Washer.....	M8.....	4
17	6/0318.....	Hosetail.....	1
18	6/0317.....	Elbow.....	1
19	6/5023.....	Water Filter.....	1
20	4/8023.....	Washer.....	M8.....	2
21	21/0438.....	AV Mount.....	2
22	4/8006.....	Washer.....	M8.....	2
23	8/8008.....	Nut.....	M8.....	2
24	30/0090.....	Hose.....	2.8M
25	6/0282.....	Thermal Relief Valve.....	1
26	15.0.063.....	Clip.....	3
27	30/0090.....	Hose.....	2.8M
28	6/5025.....	Deturgent Strainer Filter.....	1
29	8/10006.....	Nut.....	M10.....	4
30	4/1005.....	Washer.....	M10.....	8
31	21.0.292.....	AV Mount.....	2
32	4/1003.....	Washer.....	M10.....	4
33	7/10003.....	Screw.....	M10 x 35.....	4
34	5/0086.....	Seal.....	3/4".....	2
35	6/0240.....	Adaptor.....	1
36	5/0002.....	Seal.....	1/2".....	1
37	7/10009.....	Screw.....	M10.....	1
38	4/5002.....	Washer.....	M5.....	2
39	70/0267.....	Spacer.....	1
40	3/7012.....	P-Clip.....	5



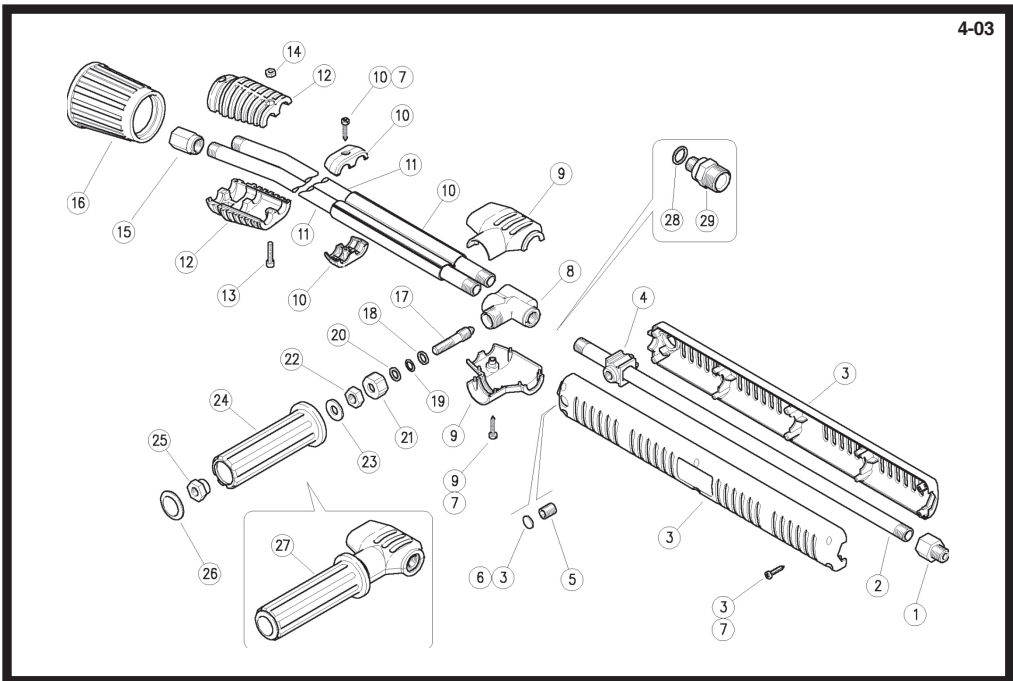
Lance & Hoses

1	34/0051	Hose	1
2	31/0146	High Pressure Hose.....	1
3	3/7066	Jubilee Clip	2
4	6/0291	Pressure Nozzle	1
5	995/02201	Lance Trigger.....	1
6	995/02202	Lance Barrel	1
7	5/0007	Seal	1
8	6/0290	Adaptor	1
9	6/0293	Chemical Nozzle.....	1



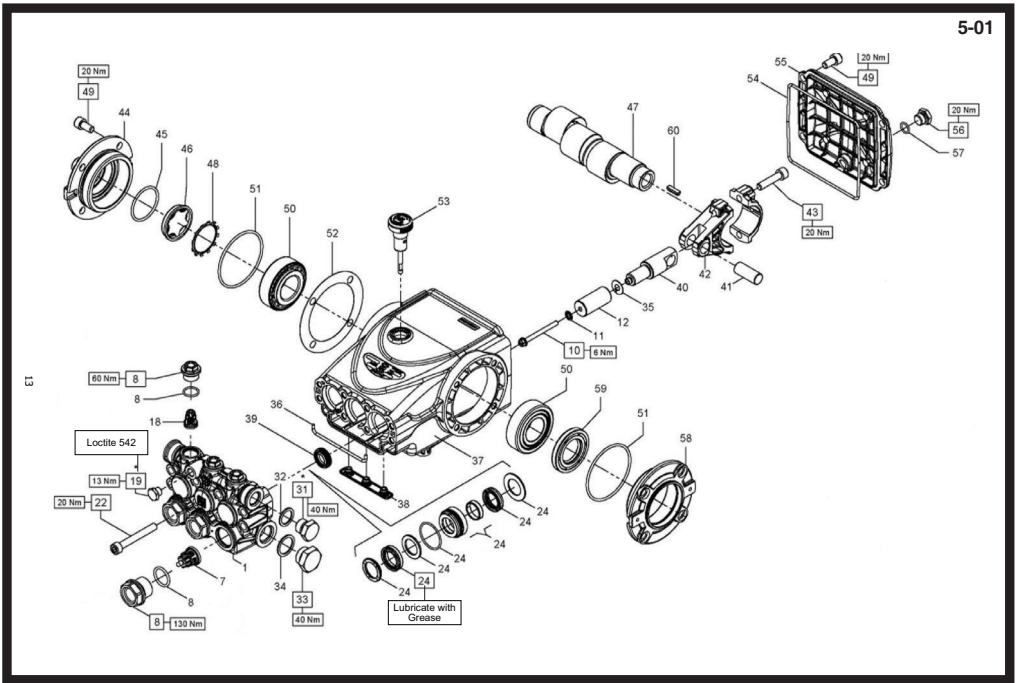
Lance Assembly - Handle End

1	30.1207.24	Handle Case Kit	1
2	16.3077.00	Screw	13
3	10.4018.00	Back-Up Ring	1
4	10.3165.00	O-Ring	1
5	14.3511.00	Washer	1
6	30.0704.51	Piston	1
7	30.1708.20	Seal & O-Ring Kit	1
8	14.7448.00	Ball	1
9	30.2596.51	Spring	1
10	10.3020.02	O-Ring	1
11	30.2595.31	Spring Plug	1
12	30.1205.35	Connector	1
13	30.0675.84	Stop Pin	1
14	30.4554.84	Adapter	1
15	30.2517.31	Pin	1
16	30.1204.84	Trigger	1
17	30.1510.84	Safety Latch	1
18	30.1203.66	Tube	1
19	30.1206.31	Coupling	1
20	30.1221.66	Tube	1
21	30.1222.31	Adaptor	1
22	30.2019.31	Coupling	1
23	10.4010.01	Back-Up Ring	2
24	30.2017.51	Pin	1
25	10.3109.95	O-Ring	1
26	30.1282.66	Tube	1
27	15.1046.00	Pin	1
28	40.4003.24	Lance Casing Kit	1
29	26.0252.51	Snap Ring	1
30	30.1286.22	Nut	M22
31	26.0261.31	pLUG	14mm
32	10.3109.95	O-Ring	1
33	10.4010.01	Back-Up Ring	1
-	30.1554.24	Repair Kit (Inc. Items 3, 4, 5, 6, 7, 8, 10, 23 & 25)	1



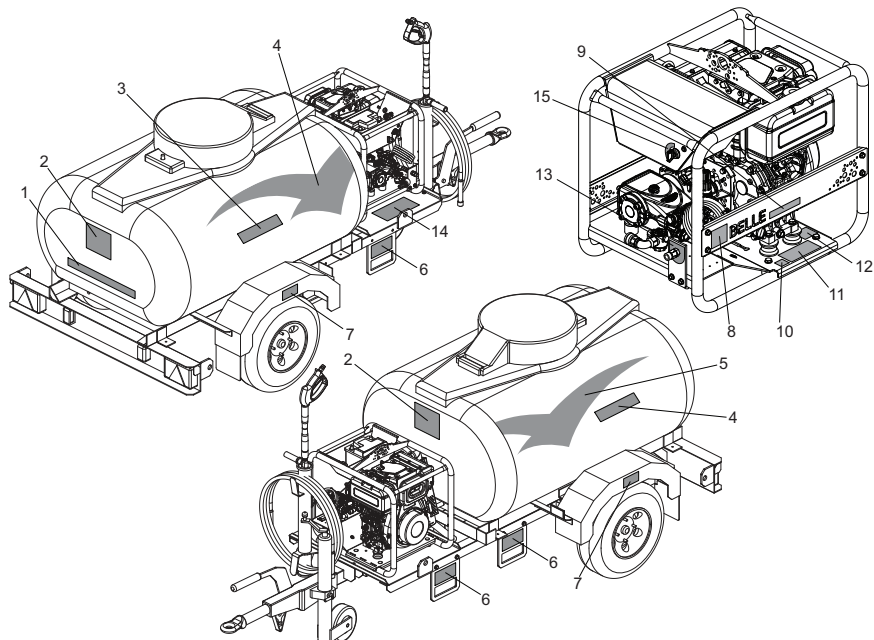
Lance Assembly - Nozzle End

1	40.5008.31 Fitting.....	1
2	40.0315.56 Tube.....	1
3	40.0308.24 Upper Barrel Casing Kit.....	1
4	40.0304.84 Tube Fastener.....	1
5	16.2230.00 Screw.....	M10 x 8 1
6	40.0303.84 Plug.....	1
7	16.3077.00 Screw.....	8
8	41.0401.35 Valve Housing.....	1
9	41.0424.24 Lower Barrel Casing Kit.....	1
10	41.0820.24 Clamp Kit.....	1
11	40.7711.56 Tube.....	1
12	41.0416.84 Lower Casing.....	2
13	16.1855.00 Screw.....	M4 x 20 2
14	11.4513.05 Nut.....	M4 2
15	40.0007.61 Nozzle Holder.....	2
16	41.0418.81 Nozzle Protector.....	1
17	41.0405.51 Shutter.....	1
18	14.3643.00 Washer.....	1
19	10.3170.00 O-Ring.....	1
20	10.4020.00 Back-Up Ring.....	1
21	41.0408.31 Nut.....	M18 1
22	11.4574.00 Nut.....	M8 1
23	14.3572.00 Washer.....	1
24	41.0409.84 Knob.....	1
25	41.0410.31 Nut.....	M8 1
26	41.0411.84 Plug.....	1
27	41.0906.24 Valve Kit.....	1
28	14.3913.17 Washer.....	1
29	26.1020.31 Adaptor.....	1
-	41.0422.24 Spares Kit (Inc. Items 12, 13, 14 & 16).....	1
-	41.0423.24 Spares Kit (Inc. Items 17 - 28).....	1



Pump Assembly

1	59.1208.41	Pump Head	1
7	36.7115.01	Suction Valve Assembly	3
8	E3B2515 KIT 292	Seals & Plugs Kit	1
10	99.1690.00	Screw M5 x 55	3
11	96.6905.00	Washer M5	3
12	59.0400.09	Piston	1
18	36.7193.01	Delivery Valve Assembly	3
19	98.1967.00	Plug 1/8" x 8	1
22	99.3175.00	Screw M8 x 60	8
31	98.2099.00	Blanking Plug 3/8" x 13	1
32	96.7380.00	Seal Washer 17.5 x 23 x 1.5	1
33	98.2179.00	Blanking Plug 1/2" x 10	1
34	96.7514.00	Seal Washer 21.5 x 27 x 1.5	1
35	96.6990.00	Seal Washer 7.5 x 23 x 0.5	1
36	59.2110.82	Sponge Gasket Dia 3 x 103	1
37	59.0100.22	Pump Housing	1
38	58.2104.51	Cover	1
39	90.1565.50	Ring 15 x 24 x 5/7	3
40	59.0500.66	Piston Guide	3
41	97.7399.00	Dowel Pin 14 x 34	3
42	59.0300.01	Complete Connecting Rod	3
43	99.3099.00	Screw M8 x 35	6
44	47.1512.22	Lateral Side Cover	1
45	90.3877.00	O-Ring	1
46	70.2118.01	Oil Level Sight Glass	1
47	59.0203.35	Shaft	1
48	90.0756.00	Circlip Dia 45	1
49	90.3039.00	Screw M8 x 16	8
50	91.8375.00	Roller Bearing	2
51	90.3913.00	O-Ring	2
52	97.5680.00	Gasket Dia 74.5 x 104 x 0.3	1
53	98.2105.00	Dipstick 3/8" x 51	1
54	90.3922.00	O-Ring 133.02 x 2.62	1
55	59.1600.22	Rear Cover	1
56	98.2042.50	Blanking Plug	1
57	90.3585.00	O-Ring 10.8 x 1.78	1
58	47.1510.22	Lateral Cover	1
59	90.1648.00	Ring 30 x 55 x 4	1
60	91.4685.00	Key	1



Decals

1	800/99223DecalWeb Address.....	1
2	800/99218DecalLogo (148mm).....	2
3	800/99221DecalBWX 15/250 Large.....	2
4	800/99219DecalWings LH.....	1
5	800/99220DecalWings RH.....	1
6	800/99242DecalForklift.....	4
7	800/99222DecalTyre Pressure.....	2
8	800/99318DecalLogo (60mm).....	2
9	800/99224DecalBWX 15/250 Large.....	2
10	800/99355Decal109 dB(A).....	1
11	800/99377DecalSafety Instructions.....	1
12	19.0.373Decal4 in 1 Safety.....	1
13	800/99352DecalHigh Pressure Outlet.....	1
14	800/99243DecalDrain Taps.....	1
15	800/99678DecalIgnition.....	1