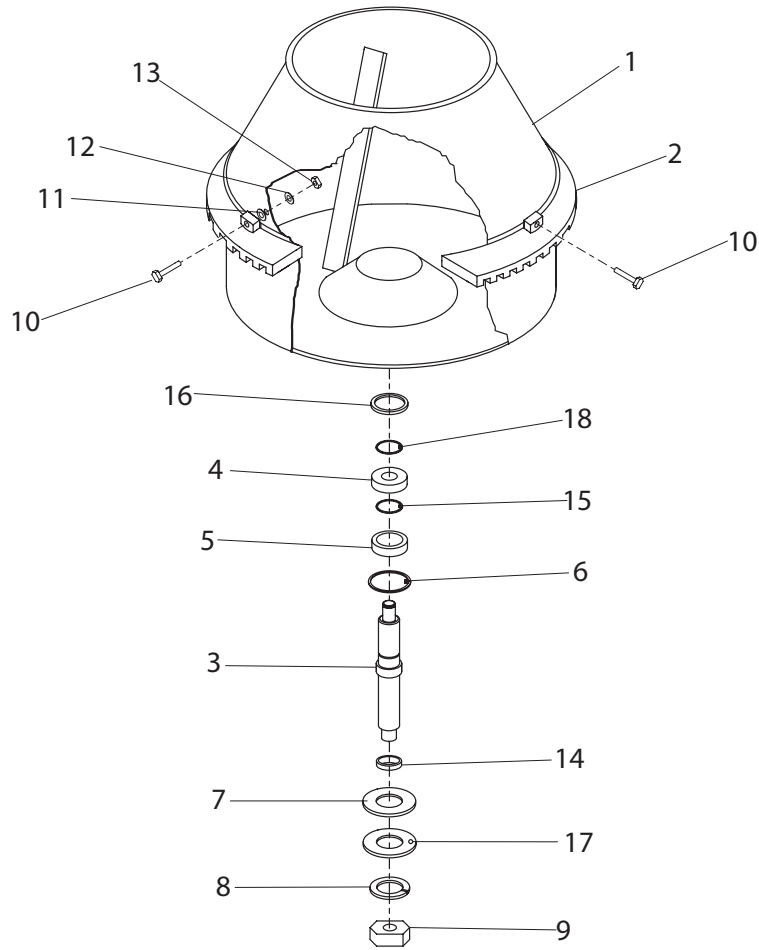


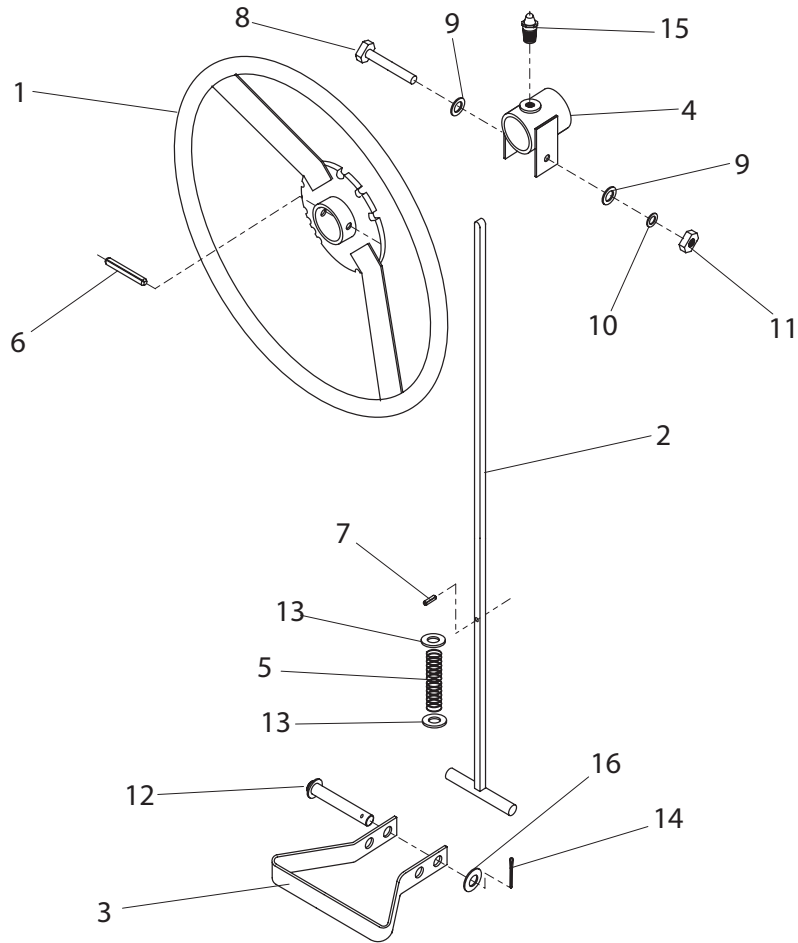
Frame Assembly , Cadre, Conjunto de Estructura, Conjunto de Estrutura

| | | | | | | | | | | | |
|---|-----------|-------|---------------|-------|--------------------|-------|-----------------------|-------|------------------------|---------------|---|
| 1 | 903/99523 | | Frame | | Châssis | | Estructura | | Estrutura | | 1 |
| 2 | 903/99501 | | Wheel | | Roue | | Rueda | | Roda | | 2 |
| 3 | 4/2802 | | Washer | | Rondelle | | Arandela | | Anilha | 28 X 50 | 2 |
| 4 | 3/0052 | | Pin | | Goupille | | Pasador | | Pino | 4 X 40 | 2 |
| 5 | 500/06100 | | Grease Nipple | | Téton de graissage | | Conexión para engrase | | Bocal de Lubrifi cação | M6 x 1 | 1 |
| 6 | 903/99502 | | Yoke | | Chape | | Articulación | | Culatra | | 1 |



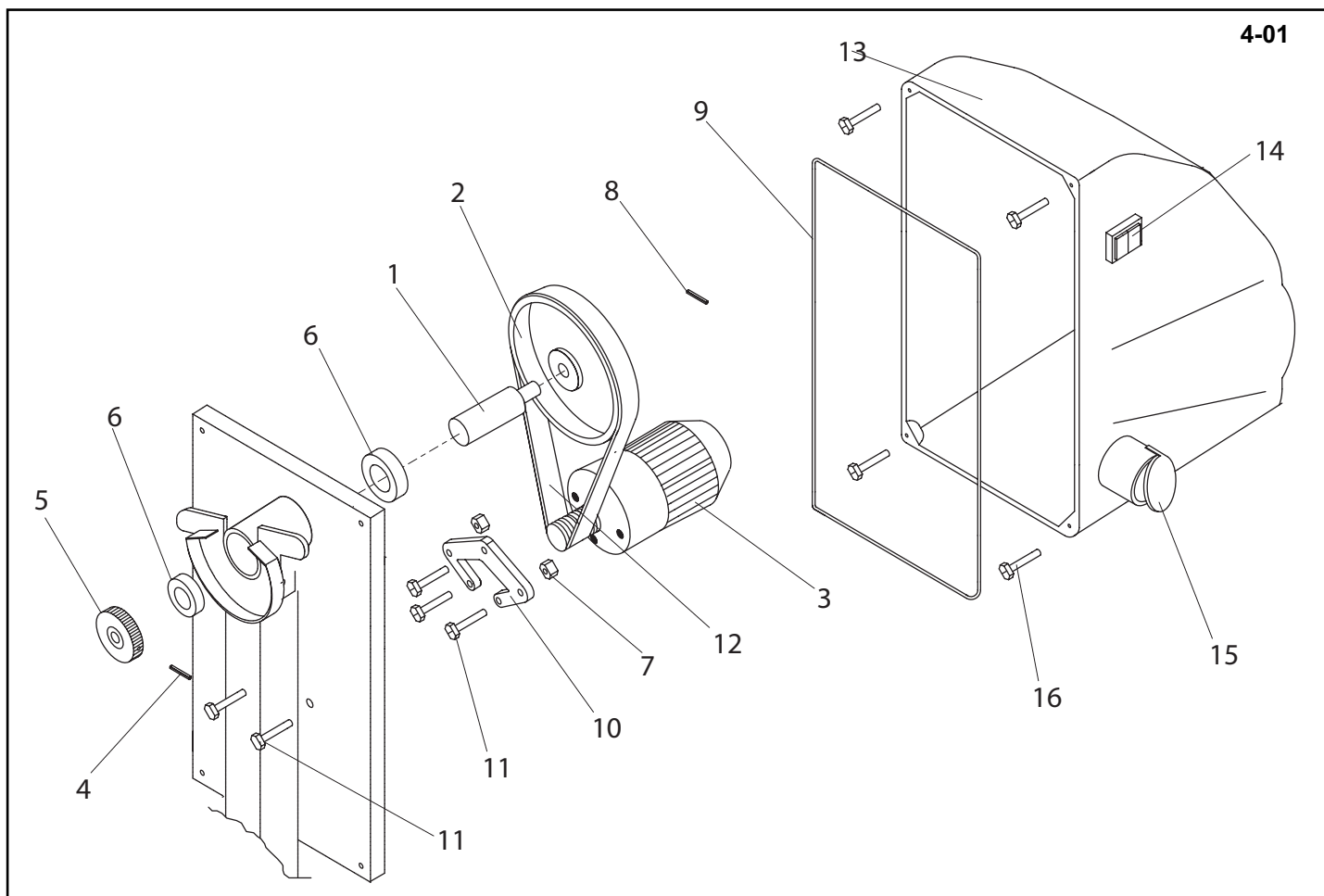
Drum Complete, Tambour en Entier , Cuba Completa, Tambor completo

| | | | | | | | | |
|----|-----------|--------------|-----------------|-----------------|-----------------|-----------------|------------------|--------|
| 1 | 969/00200 |Drum |Tambour |Tambor |Tambor |Tambor |BWE - 130 |1 |
| 1 | 903/99535 |Drum |Tambour |Tambor |Tambor |Tambor |BWE - 110 |1 |
| 1 | 903/99505 |Drum |Tambour |Tambor |Tambor |Tambor |BWE - 80 |1 |
| 2 | 903/99510 |Gear |Engrenage |Engranaje |Engranaje |Engrenagen | |1 |
| 3 | 903/99506 |Pivot |Pivot |Pivote |Pivote |Pivó | |1 |
| 4 | 53/0026 |Bearing |Roulement |Cojinete |Cojinete |Rolamento |6304 Z |4 |
| 5 | 53/0027 |Bearing |Roulement |Cojinete |Cojinete |Rolamento |6205 Z |4 |
| 6 | 903/99520 |Ring |Anneau |Anillo |Anillo |Anel |W-52 |4 |
| 7 | 4/3201 |Washer |Rondelle |Arandela |Arandela |Anilha | |1 |
| 8 | 944/99048 |Washer |Rondelle |Arandela |Arandela |Anilha |M8 |1 |
| 9 | 8/16001 |Nut |Ecrou |Tuerca |Tuerca |Porca |M16 |1 |
| 10 | 7/8012 |Screw |Vis |Tornillo |Tornillo |Parafuso |M8 x 25 |4 |
| 11 | 4/8001 |Washer |Rondelle |Arandela |Arandela |Anilha |8,5 x 18 |4 |
| 12 | 4/8003 |Washer |Rondelle |Arandela |Arandela |Anilha |M8 |4 |
| 13 | 8/8004 |Nut |Ecrou |Tuerca |Tuerca |Porca |M8 |4 |
| 14 | 5/0063 |Ring |Anneau |Anillo |Anillo |Anel |52 x 35 x 7 |1 |
| 15 | 903/99518 |Ring |Anneau |Anillo |Anillo |Anel |Z-25 |1 |
| 16 | 903/99536 |Spacer |Entretoise |Espaciador |Espaciador |Espaçador | |1 |
| 17 | 4/1702 |Washer |Rondelle |Arandela |Arandela |Anilha | |1 |
| 18 | 903/99537 |Ring |Anneau |Anillo |Anillo |Anel |Z-20 |1 |



Handwheel Assembly, Ensemble volant de manoeuvre, Montaje de Volante, Montagem do volante

| | | | | | | |
|----|-----------|--------------------|-------------------------|----------------------------|----------------------------|----------|
| 1 | 903/99514 |Handwheel |Volant |Volante |Volante..... | 1 |
| 2 | 903/99517 |Shaft |Axe |Eje |Veio | 1 |
| 3 | 903/99515 |Pedal |Pédale |Pedal |Pedal | 1 |
| 4 | 903/99503 |Bearing |Roulement |Cojinete |Rolamento | 1 |
| 5 | 2/0050 |Spring |Ressort |Resorte |Mola | 1 |
| 6 | 3/0055 |Pin |Goupille |Pasador |Pino | 8 x 45 |
| 7 | 3/0053 |Pin |Goupille |Pasador |Pino | 4 x 20 |
| 8 | 7/8051 |Screw |Vis |Tornillo |Parafuso | M8 x 55 |
| 9 | 4/8001 |Washer |Rondelle |Arandela |Anilha | 8,5 x 18 |
| 10 | 4/8003 |Washer |Rondelle |Arandela |Anilha | 8,2 |
| 11 | 8/8004 |Nut |Ecrou |Tuerca |Porca | M8 |
| 12 | 903/99516 |Pin |Goupille |Pasador |Pino | |
| 13 | 903/99538 |Washer |Rondelle |Arandela |Anilha | 13 x 24 |
| 14 | 903/99539 |Pin |Goupille |Pasador |Pino | 2,5 x 25 |
| 15 | 500/06100 |Grease Nipple |Téton de graissage |Conexión para engrase |Bocal de Lubrificação | M6 x 1 |
| 16 | 4/1005 |Washer |Rondelle |Arandela |Anilha | 10,5 |



Drive Kit , Kit d'entraînement, Kit transmisión, Kit de Transmissão

4-01

| | | | | | | |
|----|-----------|-----------------------|-------------------------|------------------------|-------------------------|-----------------|
| 1 | 944/99150 |Shaft |Axe |Eje |Veio |1 |
| 2 | 901/99908 |Pulley |Poulie |Polea |Polia |1 |
| 3 | 901/99958 |Motor - Electric |Motor - Electrique |Motor - Eléctrico |Motore - Eléctrica |230V |
| 4 | 903/99540 |Pin |Goupille |Pasador |Pino |6 x 35 |
| 5 | 903/99509 |Pinion |Pignon |Piñón |Pinhão |1 |
| 6 | 53/0025 |Bearing |Roulement |Cojinete |Rolamento |6002 Z |
| 7 | 8/8008 |Nut |Ecrou |Tuerca |Porca |M8 |
| 8 | 3/0039 |Pin |Goupille |Pasador |Pino |6 x 26 |
| 9 | 901/99907 |Seal |Joint d'étanchéité |Obturador |Vedação |1 |
| 10 | 901/99910 |Bracket |Patte de montage |Escuadra |Suporte |1 |
| 11 | 7/8009 |Screw |Vis |Tornillo |Parafuso |M8 x 30 |
| 12 | 901/99912 |Belt |Courroie |Correa |Cinta |503J6 |
| 13 | 901/15500 |Cover |Couvercle |Cubierta |Tampa |1 |
| 14 | 70/0194 |Switch |Bouton |Interruptor |Interruptor |1 |
| 15 | 901/99927 |Socket |Prise |Enchufe |Tomada |1 |
| 16 | 903/99533 |Screw |Vis |Tornillo |Parafuso |F-5,5 x 22 |